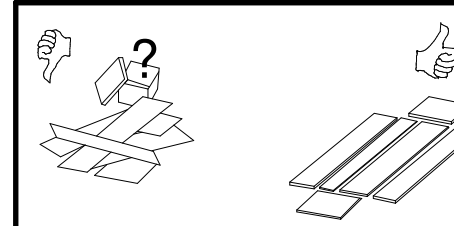
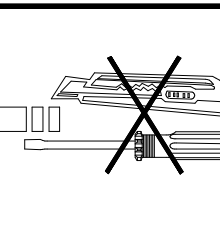
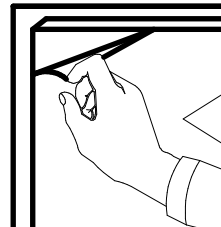
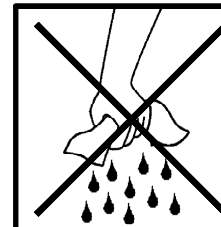
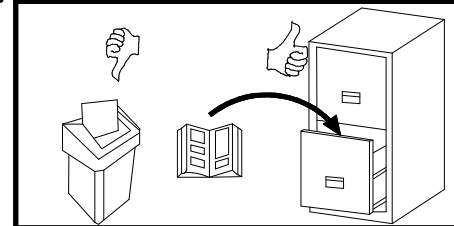
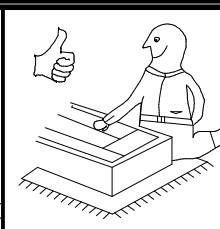
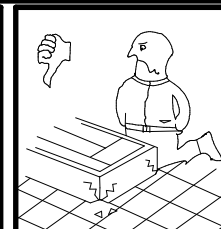
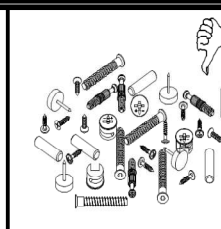
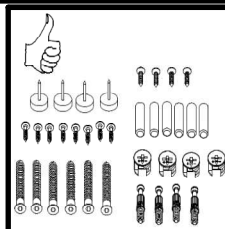
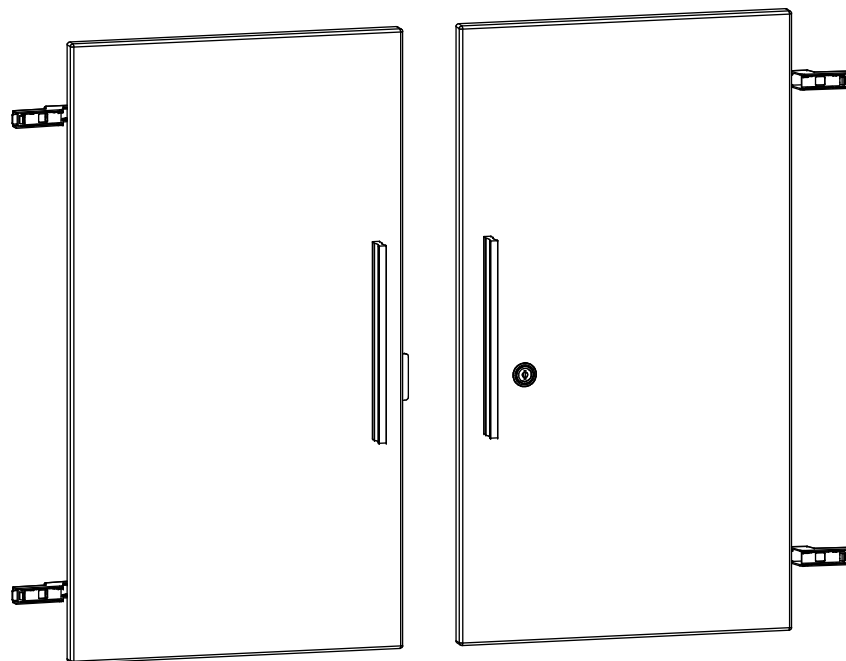
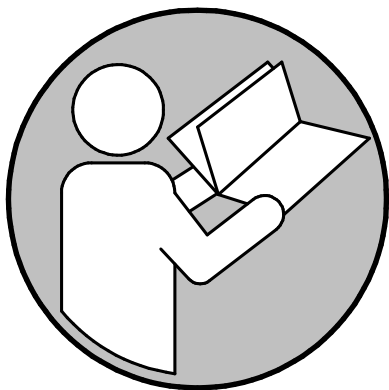
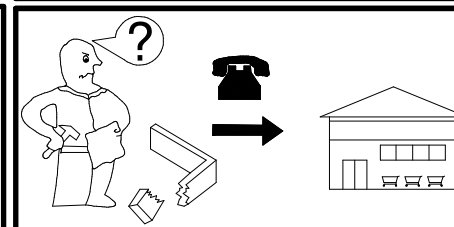
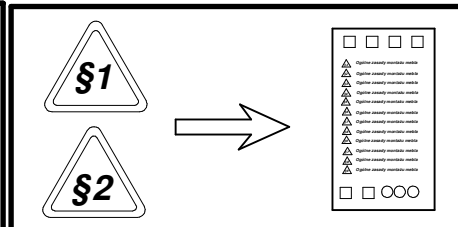
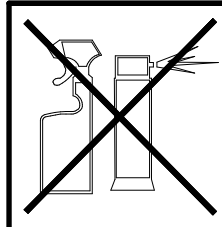
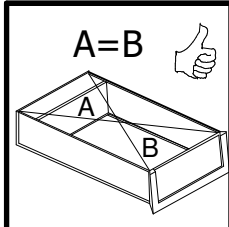
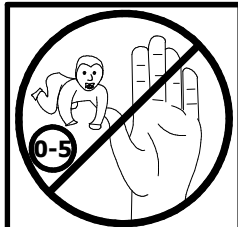
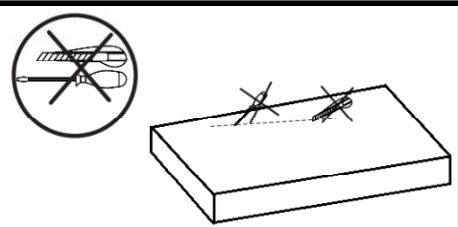
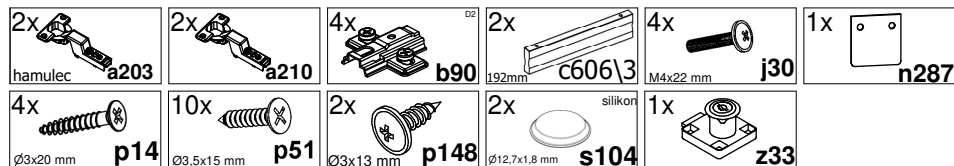
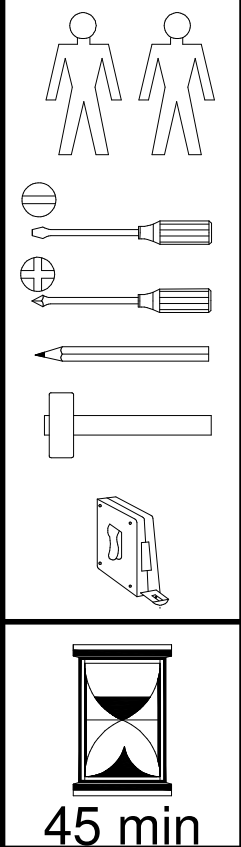


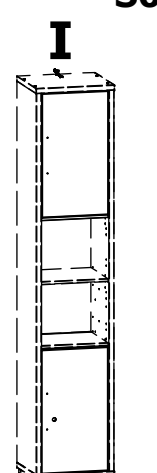
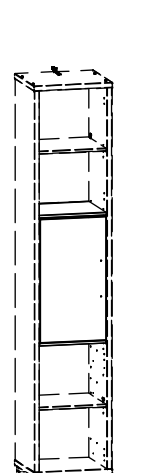
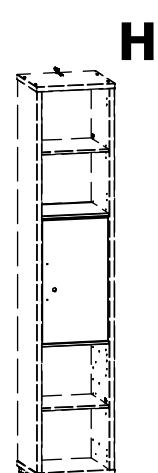
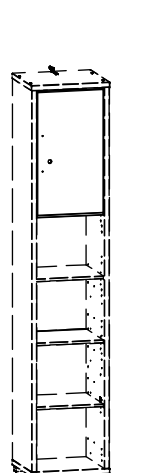
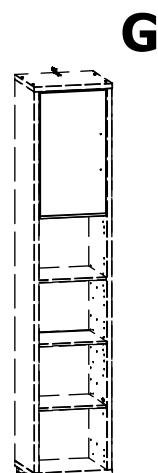
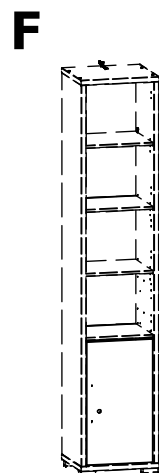
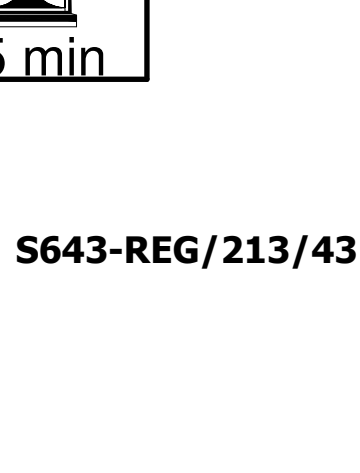
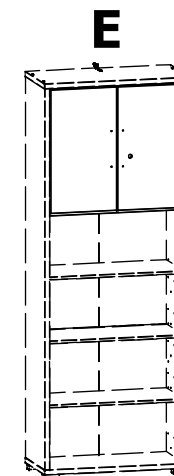
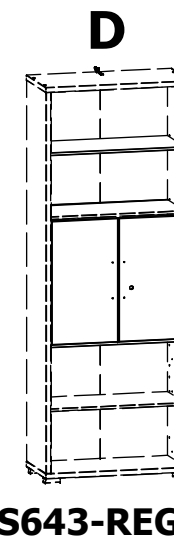
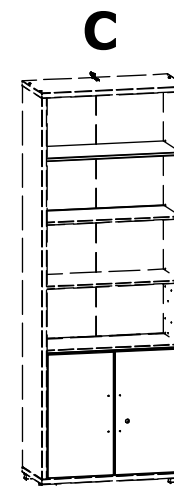
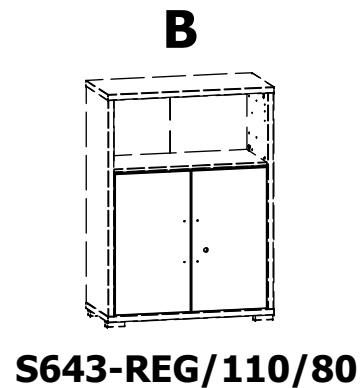
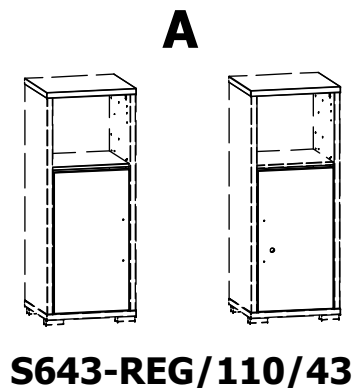
A**S643-FRN/67/80/A****CONNECT**

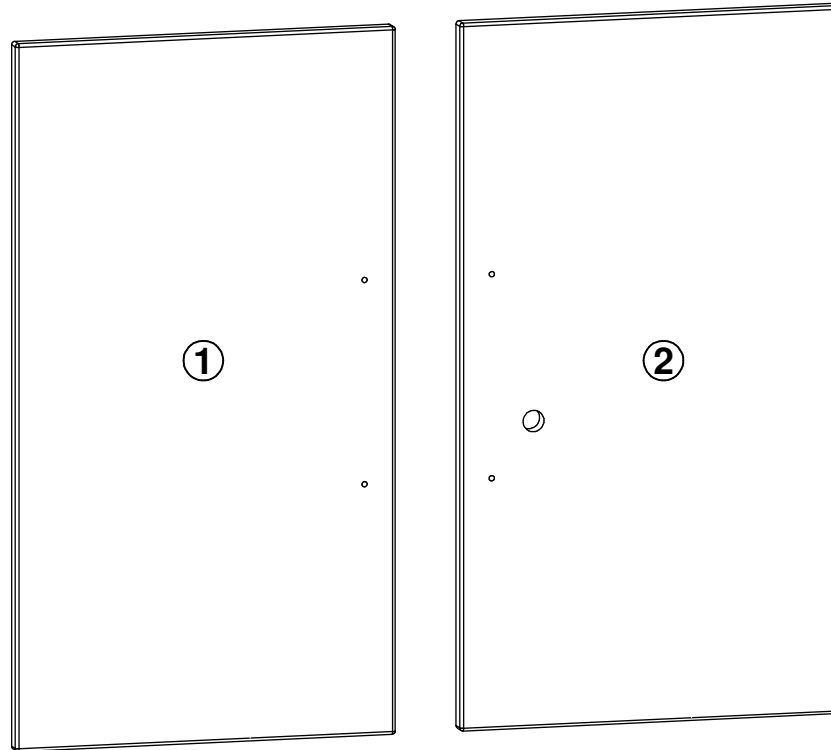
24270215/25
24270215/26

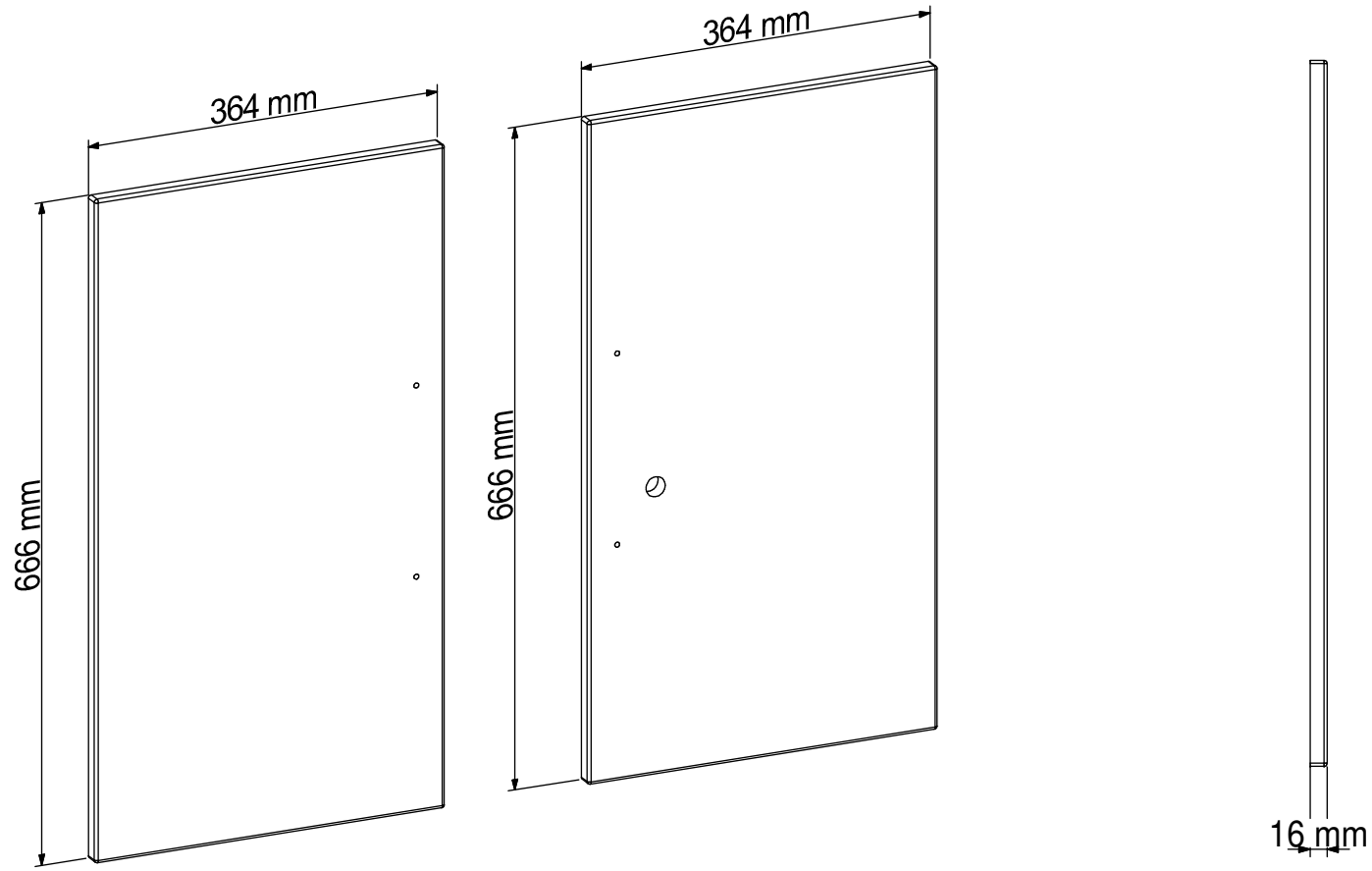




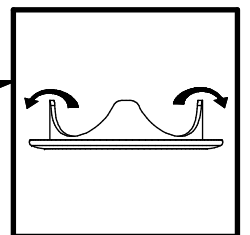
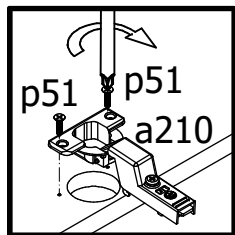
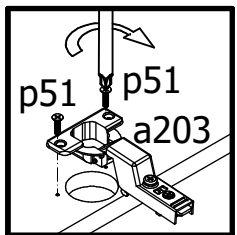
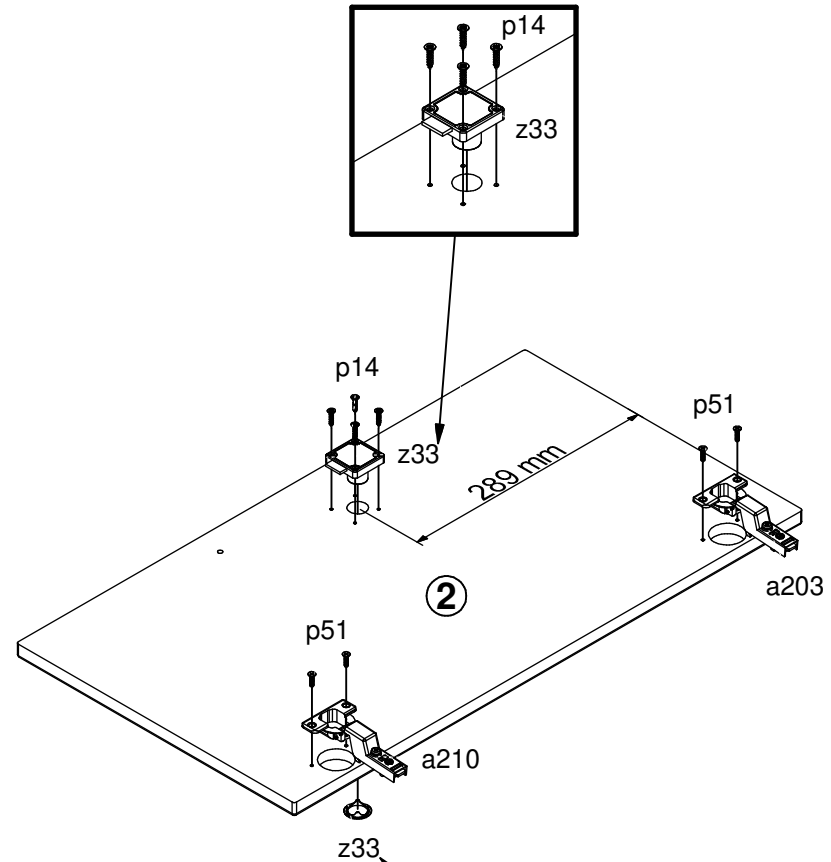
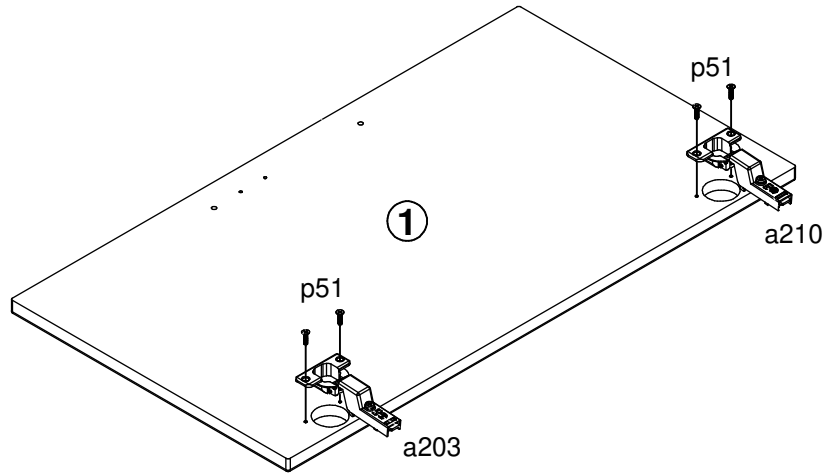
| A | B1 | B2 | C1 | C2 | C3 | D |
|---|-----------|----|-----|-----|----|-----|
| 1 | S643-0006 | - | 666 | 364 | 16 | 1/1 |
| 2 | S643-0007 | - | 666 | 364 | 16 | 1/1 |



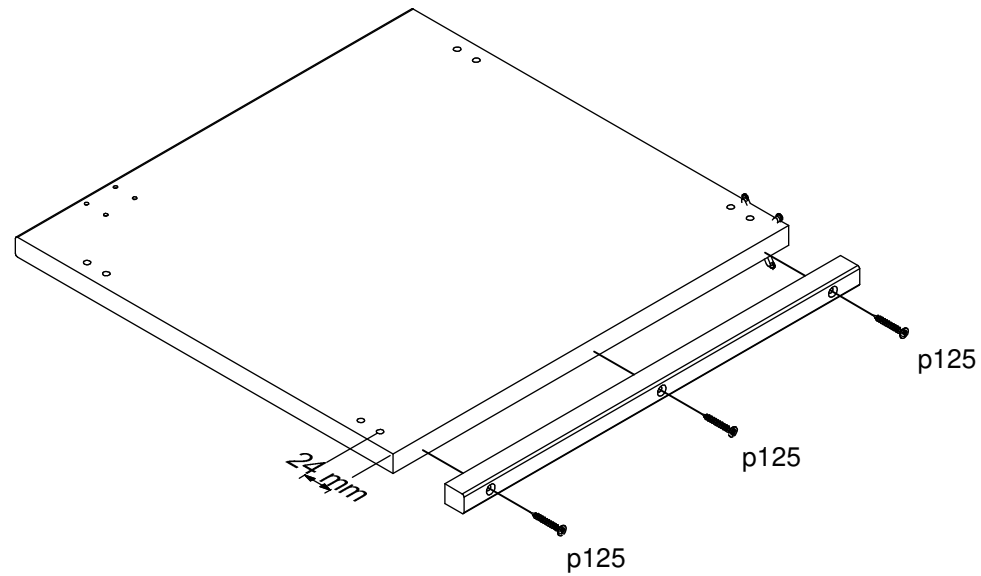




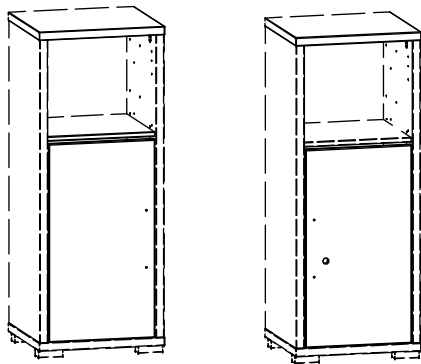
- 1 2x hamulec a203
- 2x a210
- 4x $\varnothing 3 \times 20$ mm p14
- 1x z33



2A



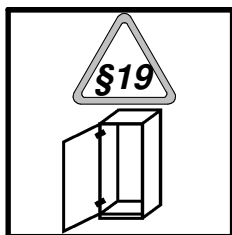
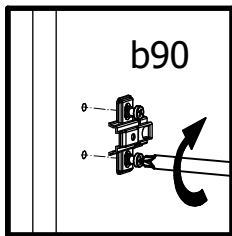
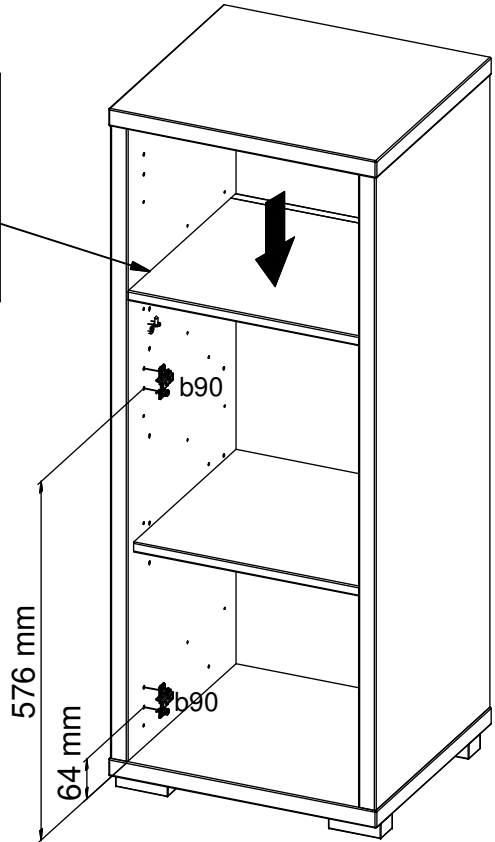
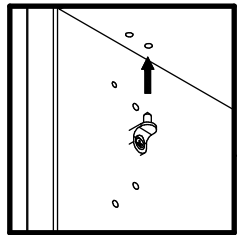
A

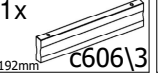
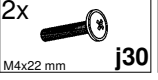
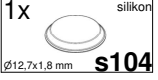


S643-REG/110/43

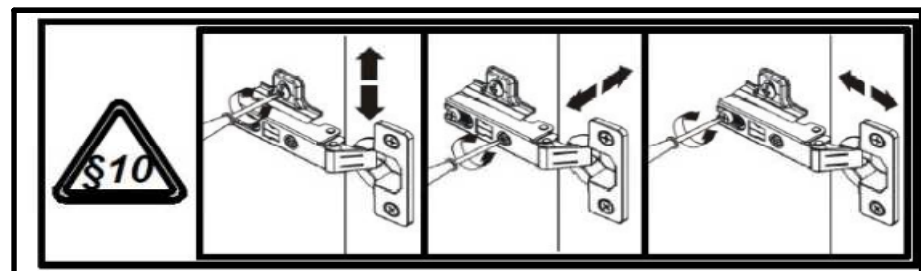
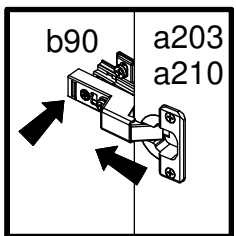
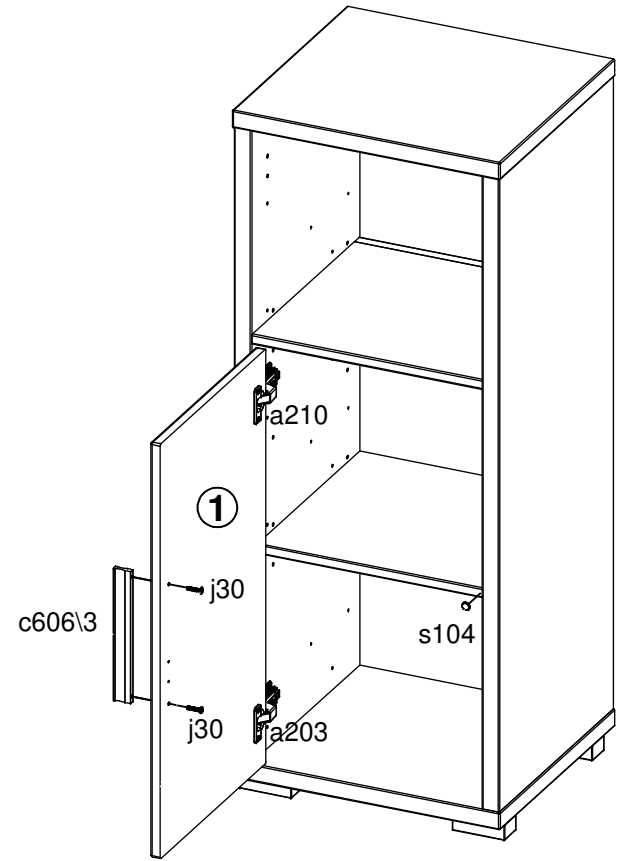
3A 2x  b90

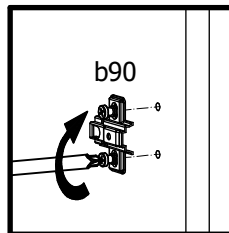
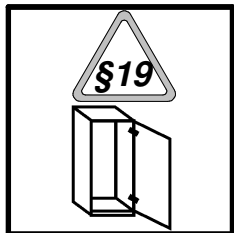
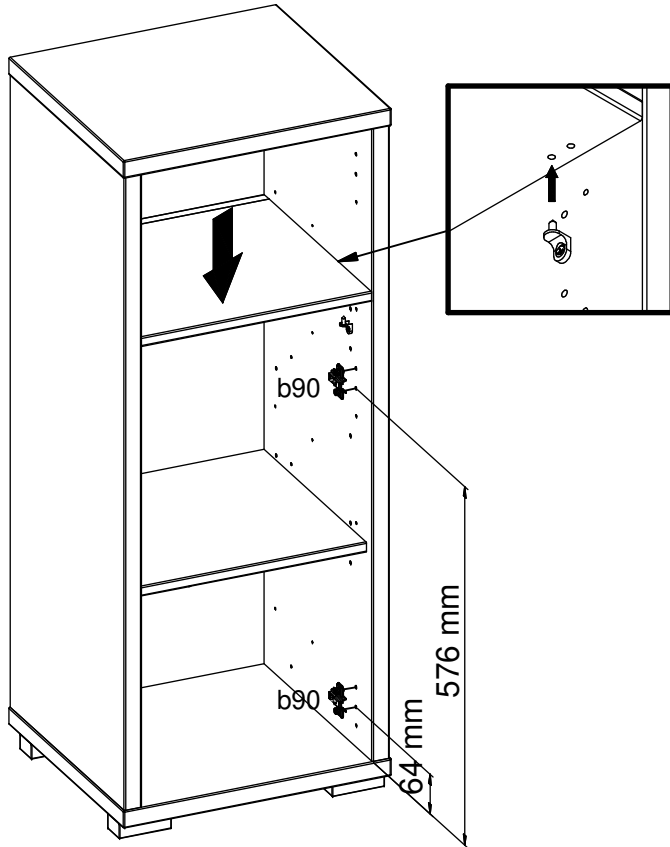


4A 1x  c606/3 192mm 2x  j30 M4x22 mm 1x  s104 silikon ø12.7x1.8 mm

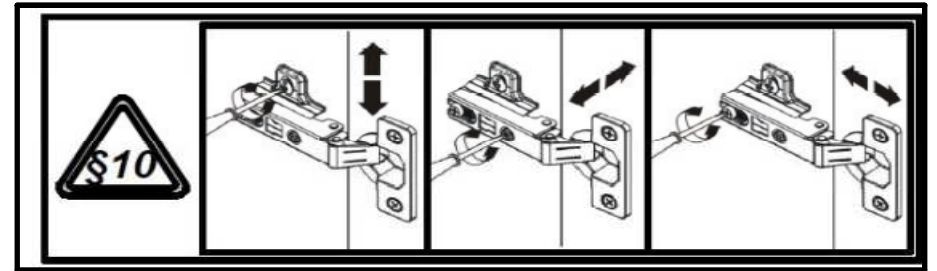
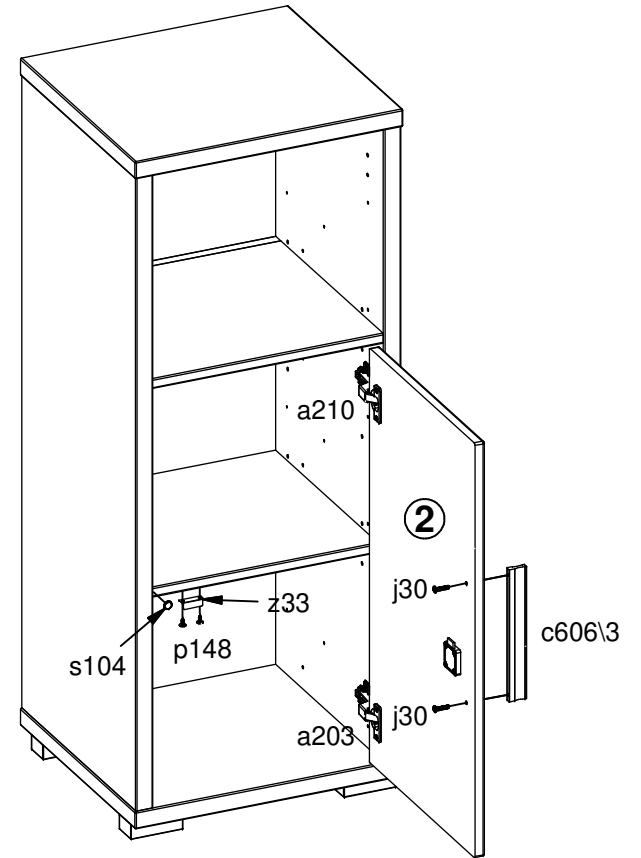
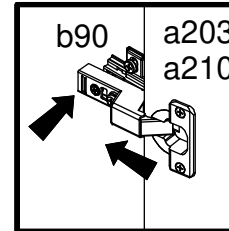
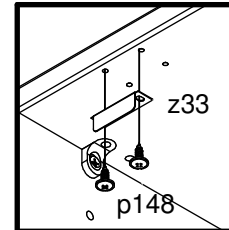
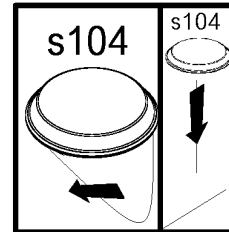
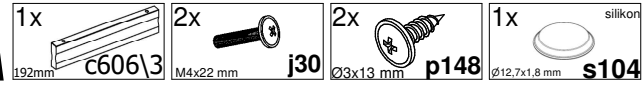
 



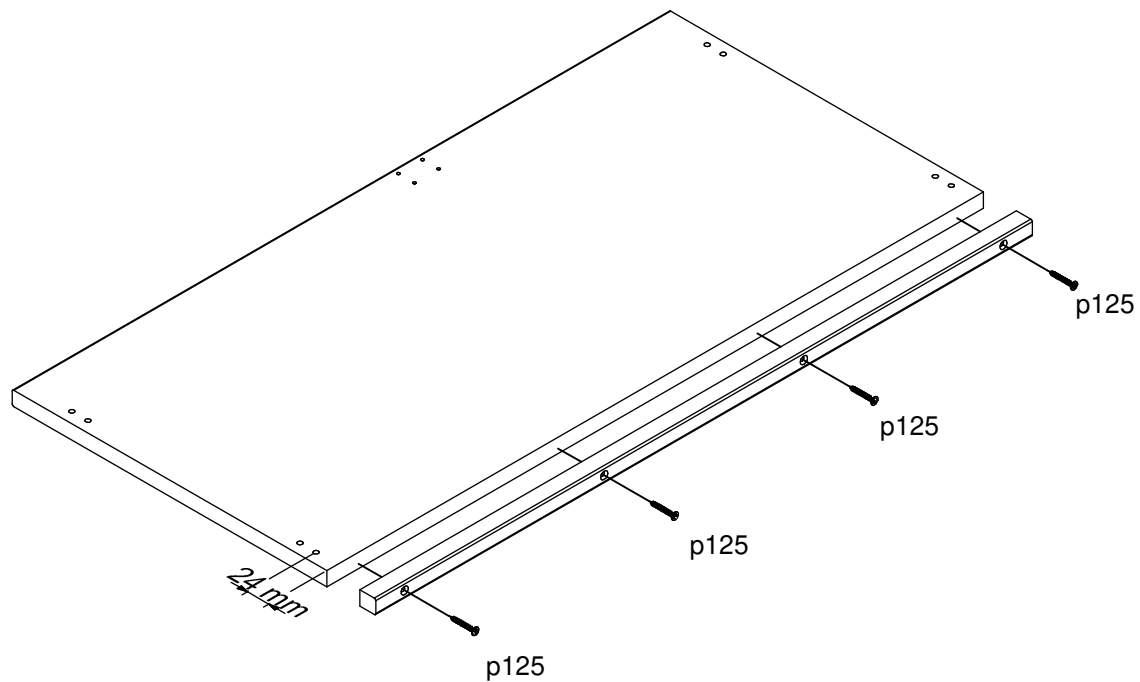
5A



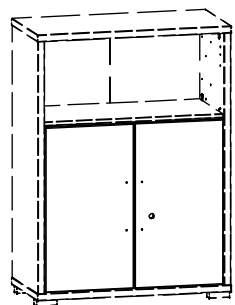
6A



2B

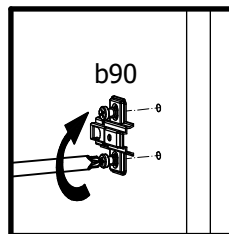
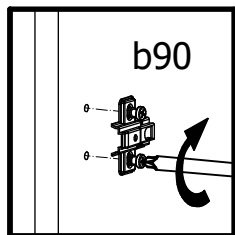
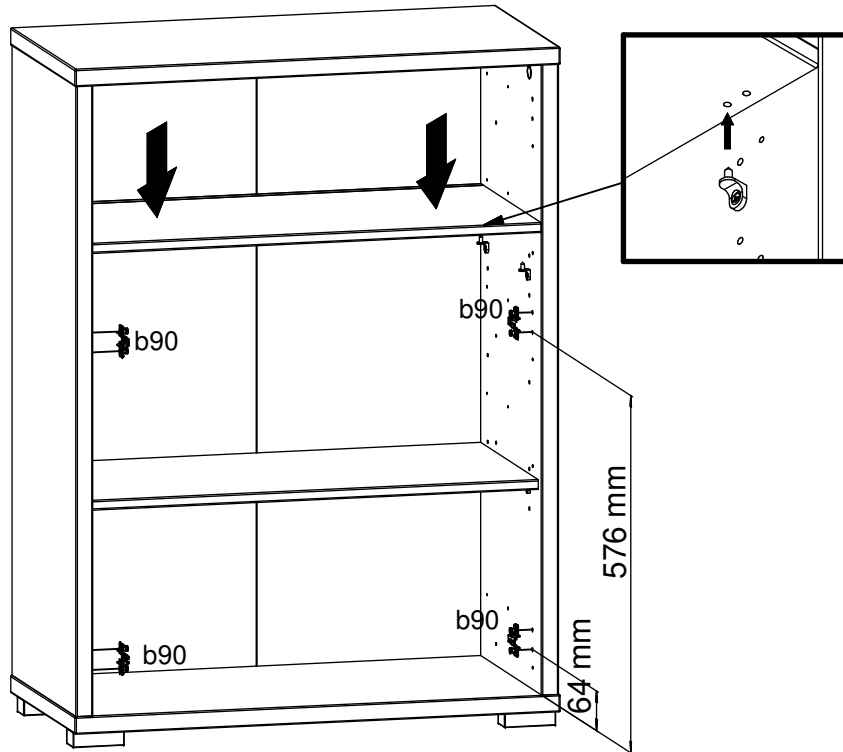


B

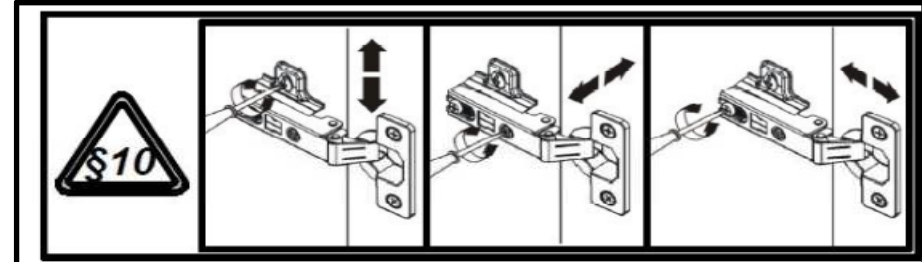
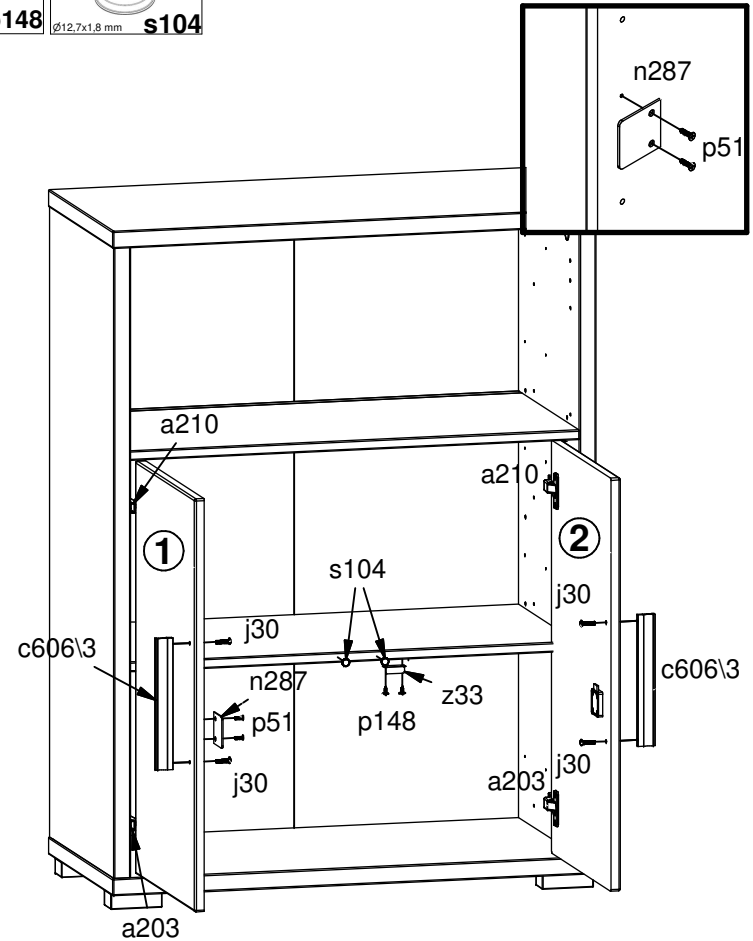
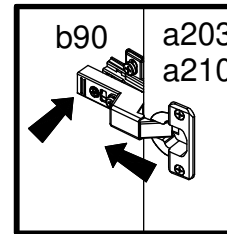
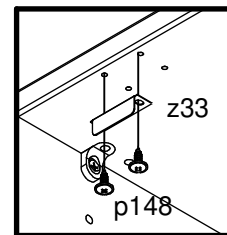
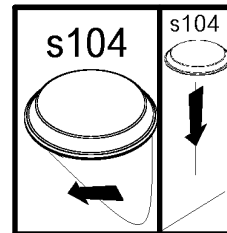
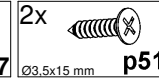
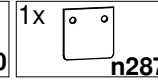
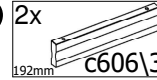


S643-REG/110/80

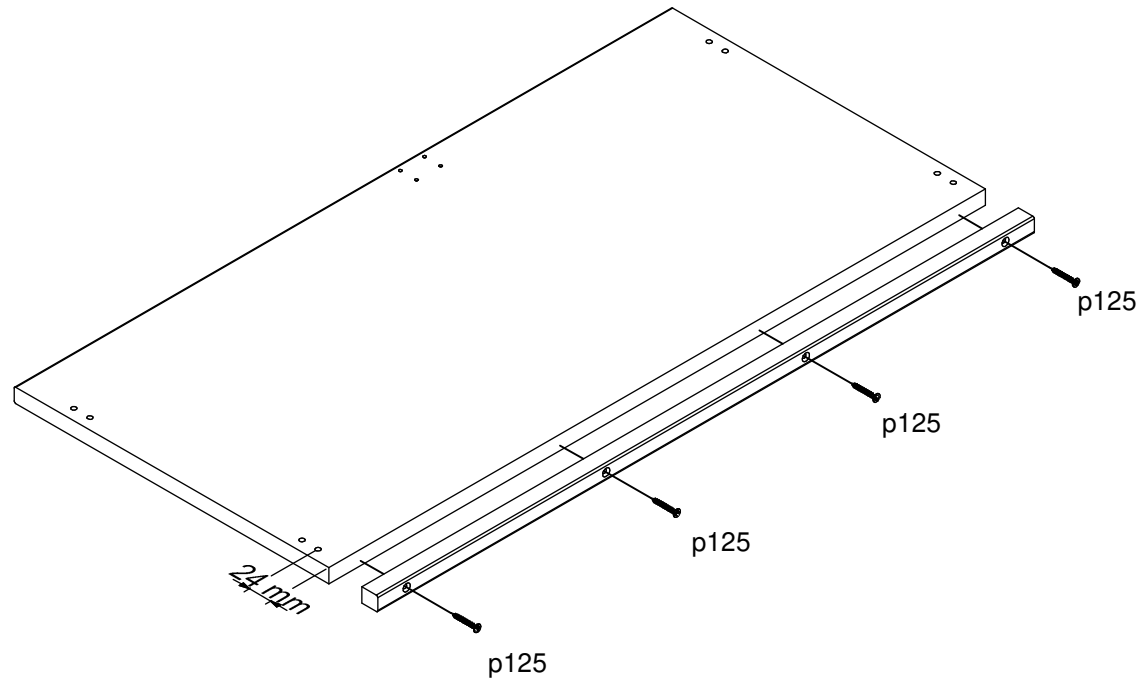
3B



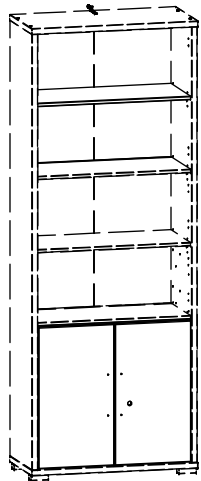
4B



2C

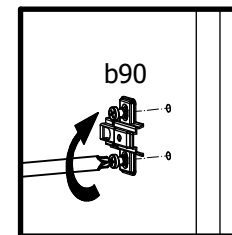
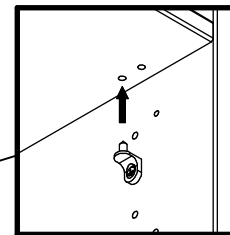
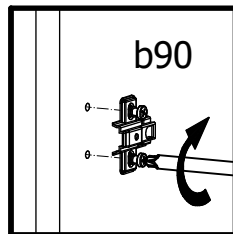
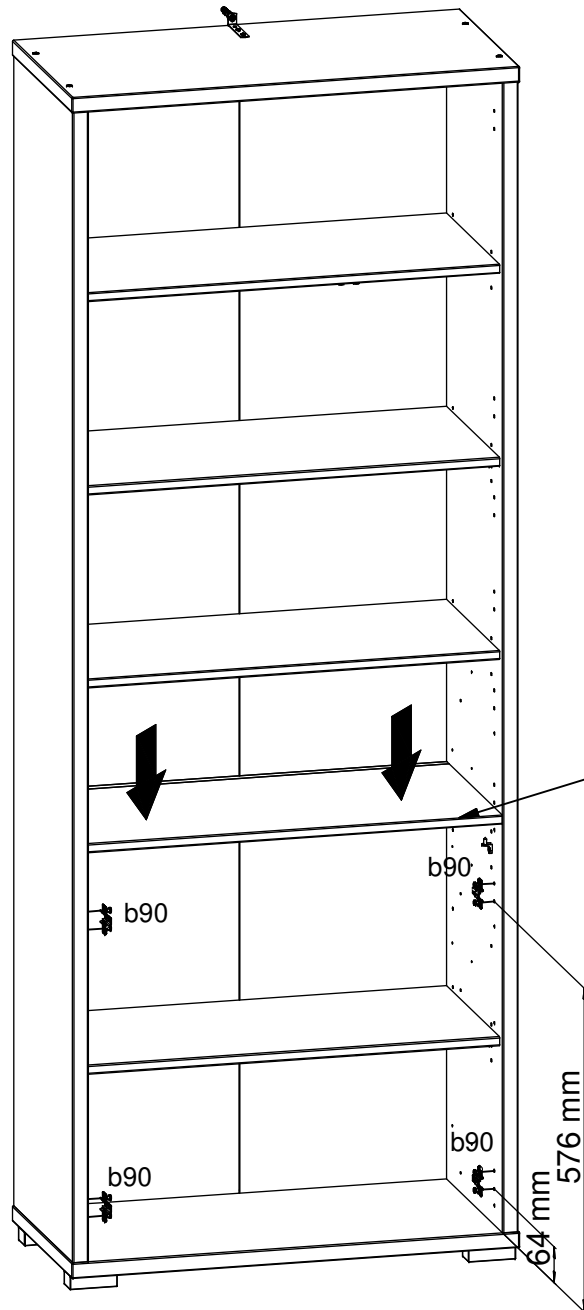


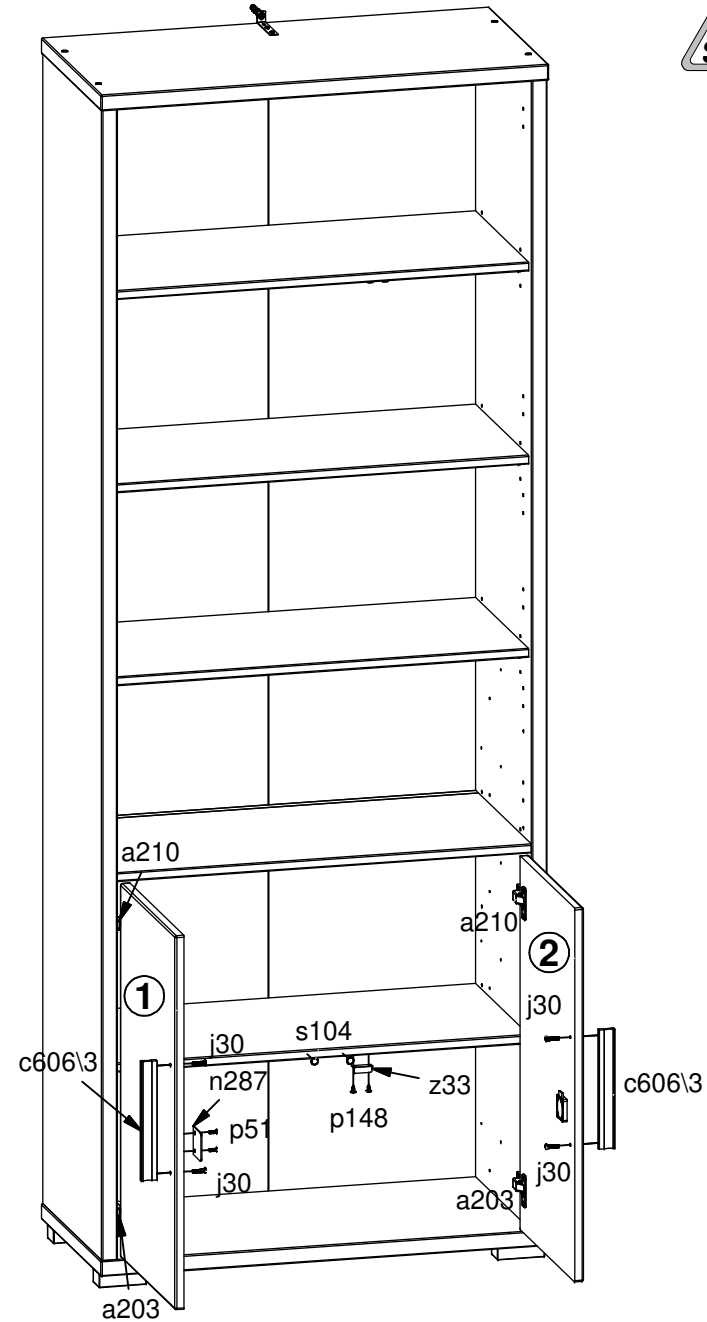
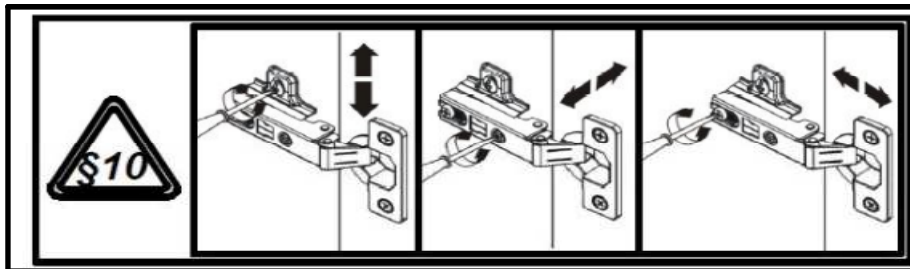
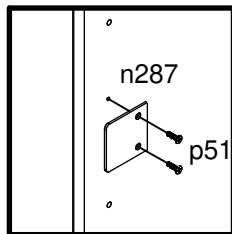
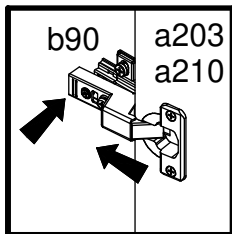
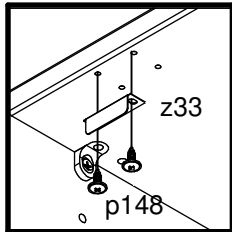
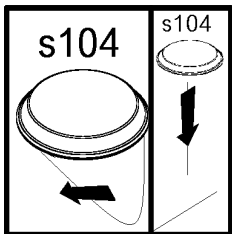
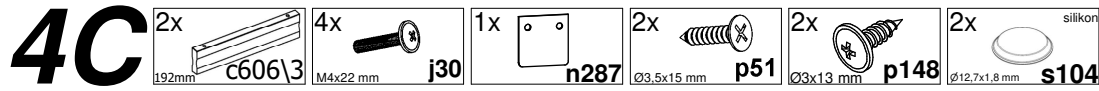
C



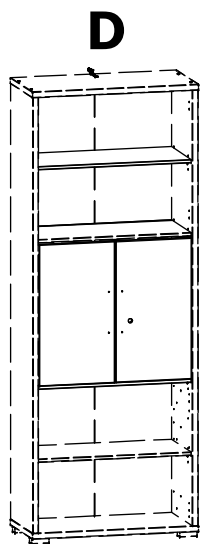
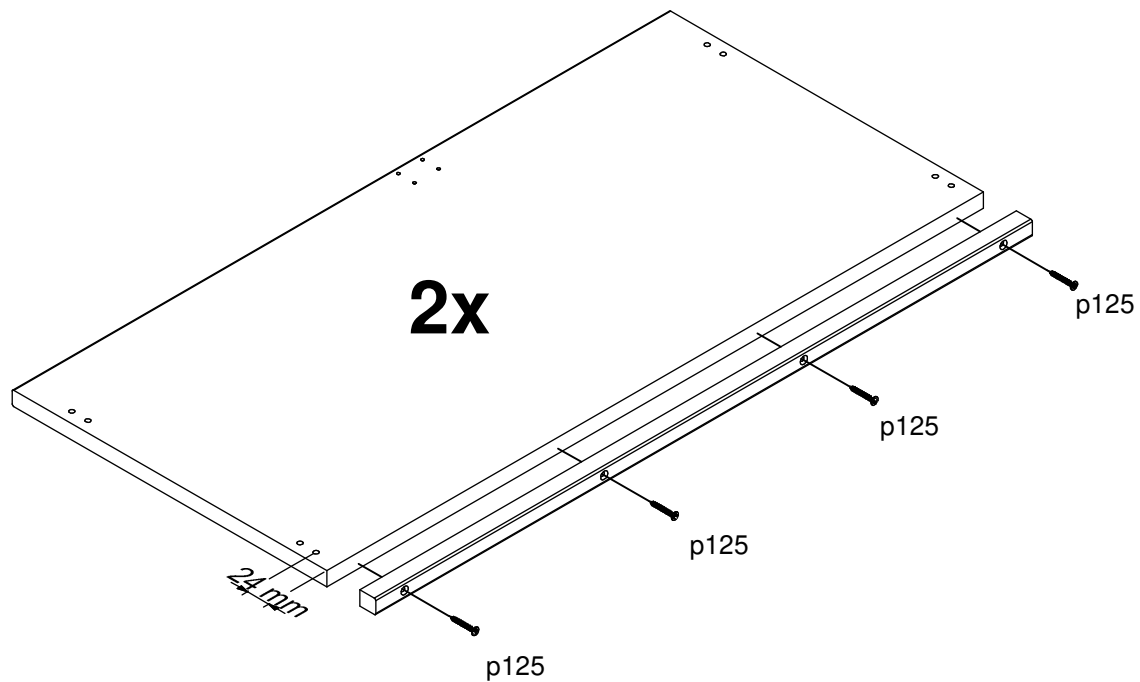
S643-REG/213/80

3C  4x D2
b90

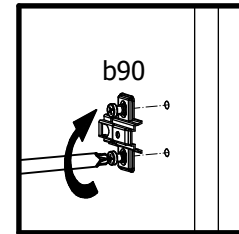
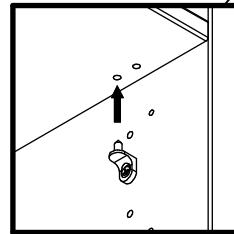
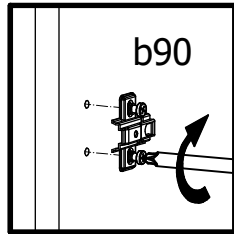
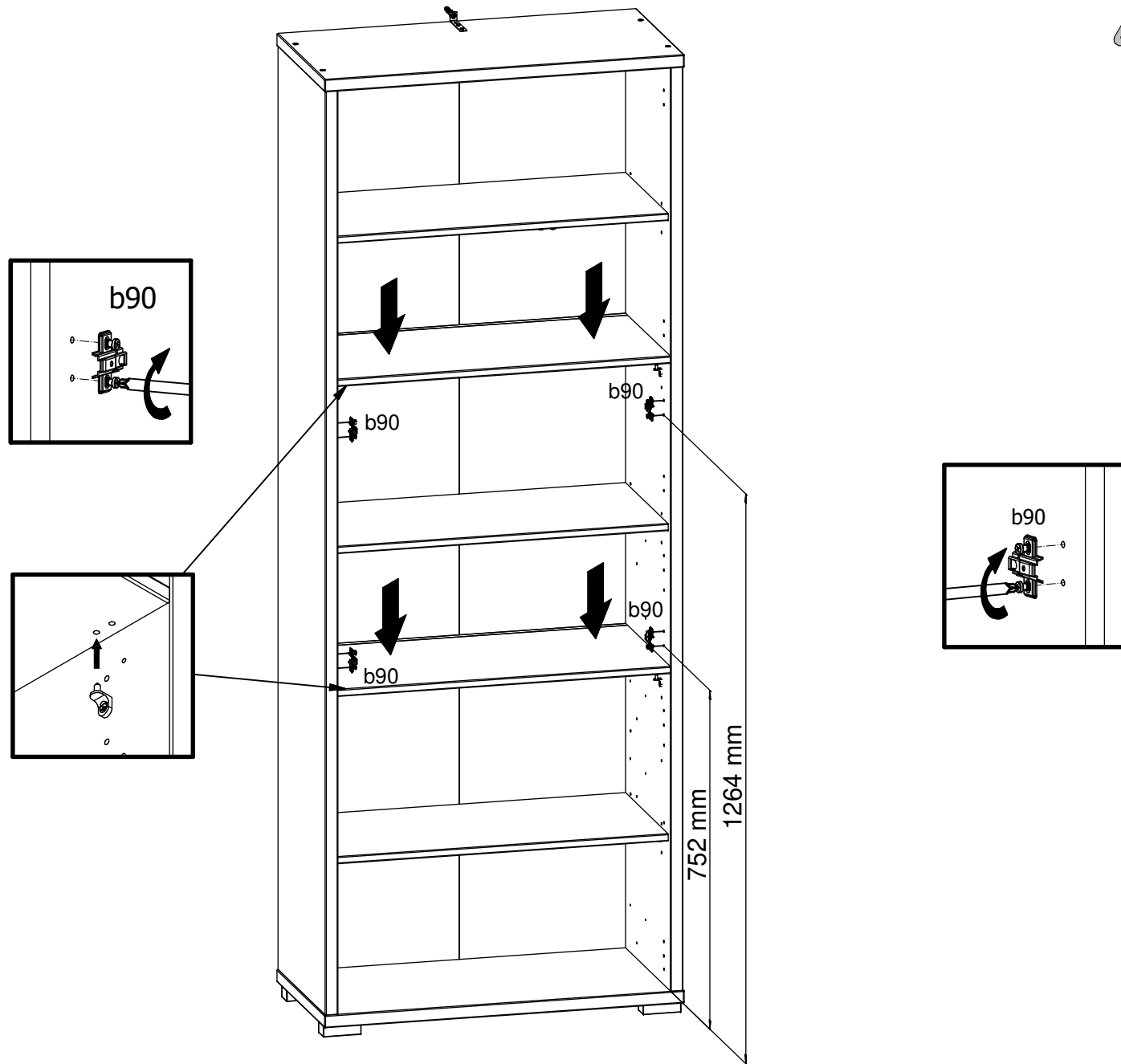




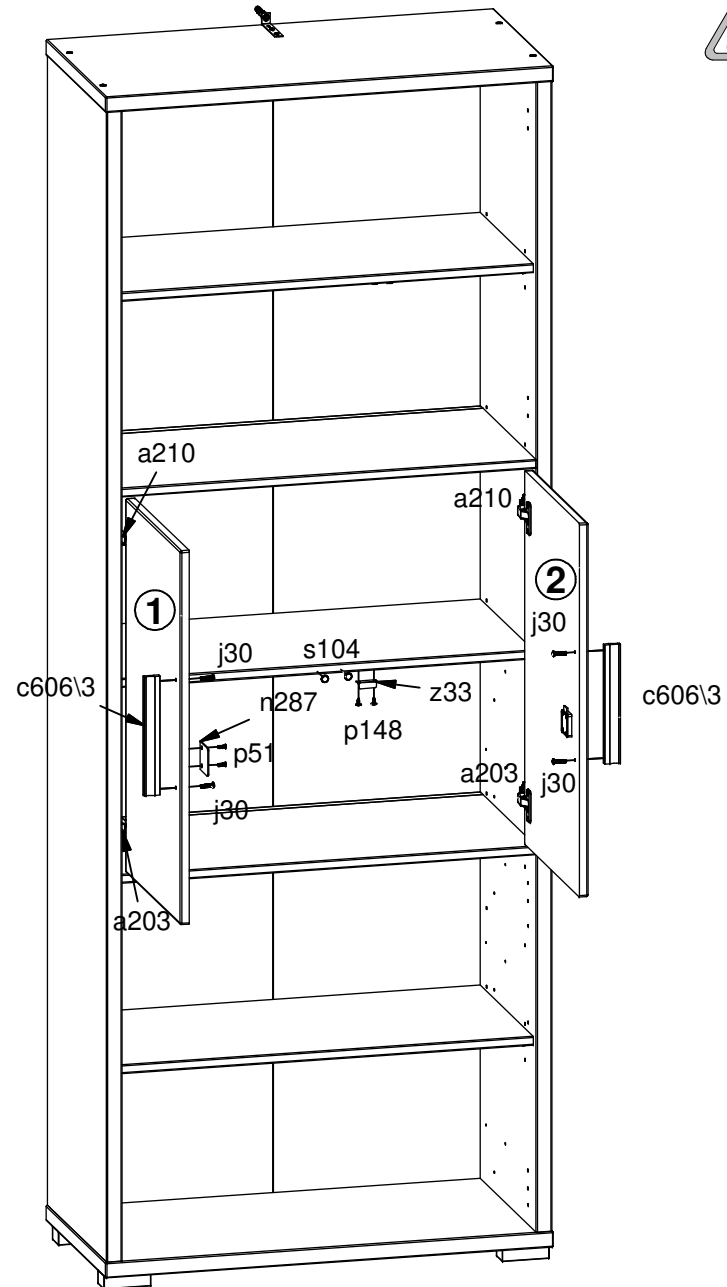
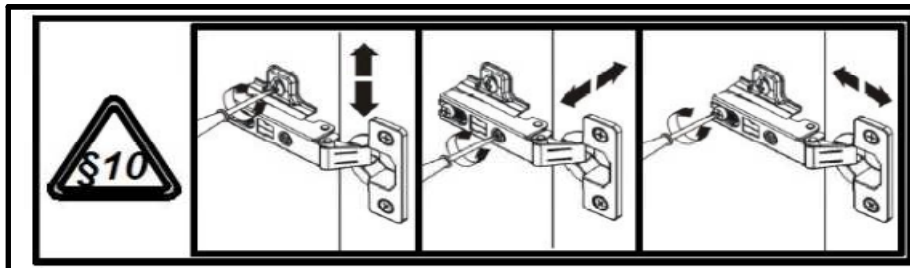
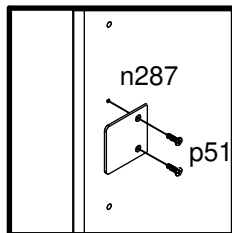
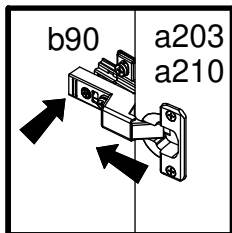
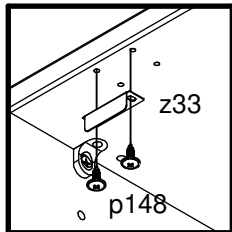
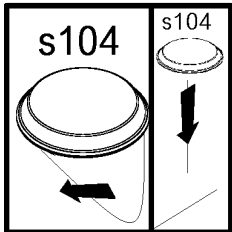
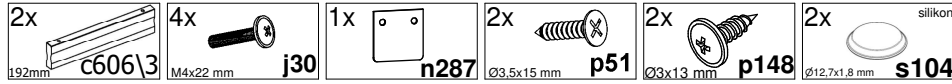
2D



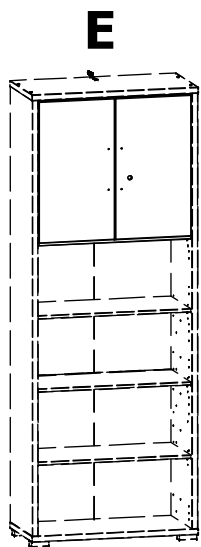
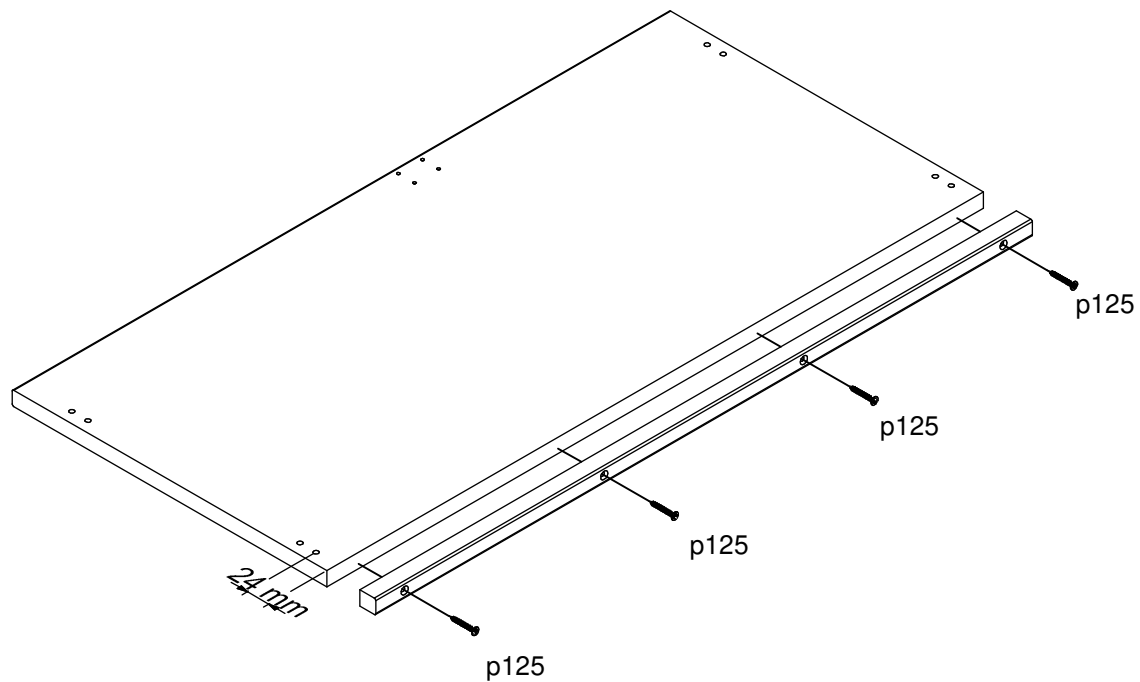
S643-REG/213/80



4D

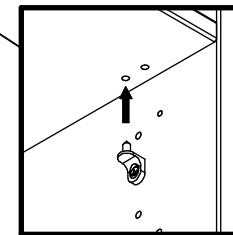
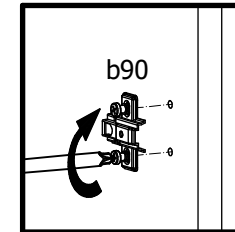
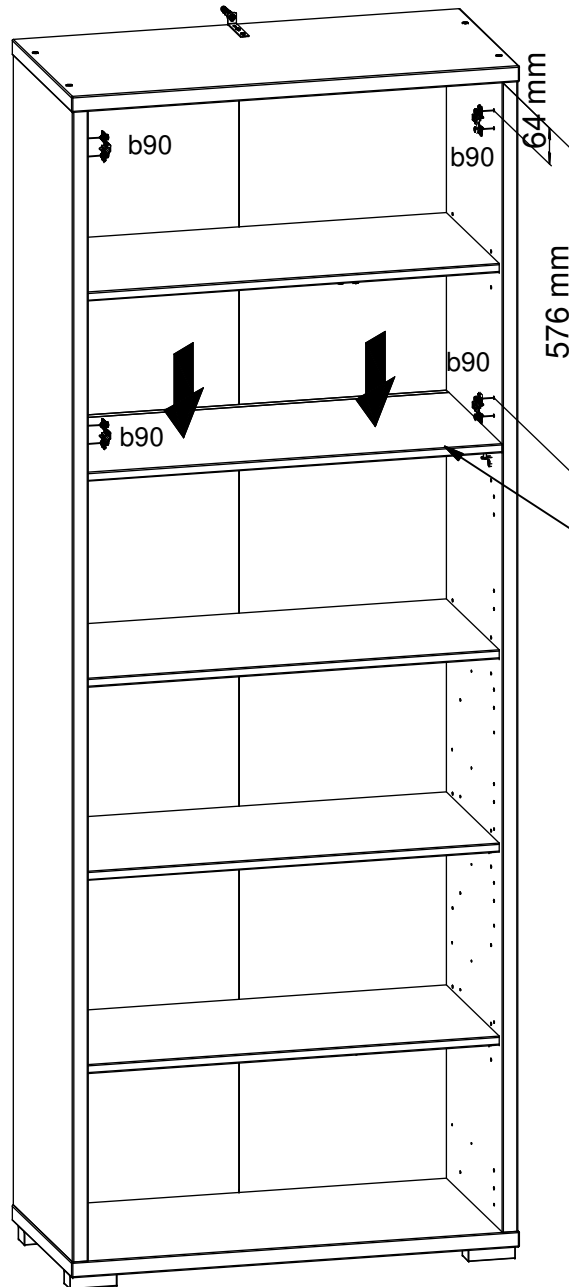
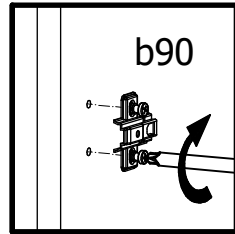


2E



S643-REG/213/80

3E  4x b90



4E

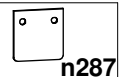
2x



4x



1x



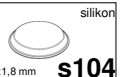
2x



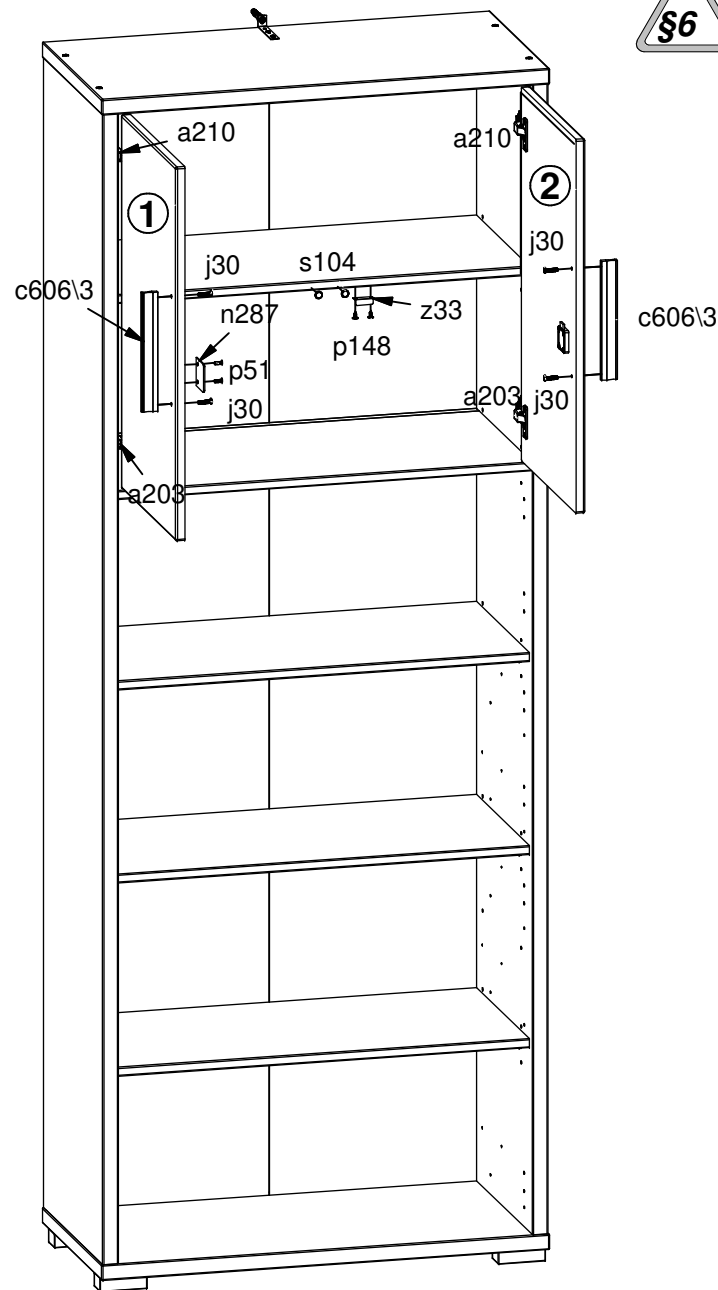
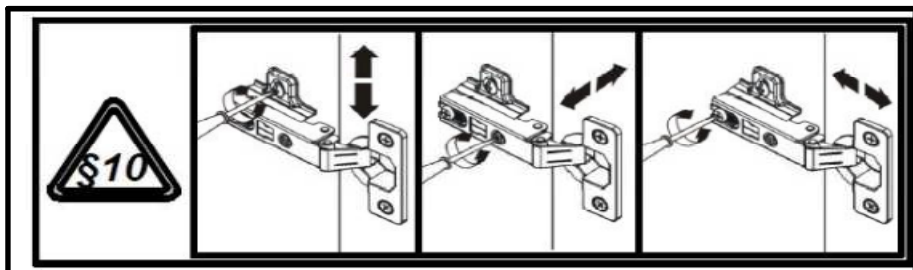
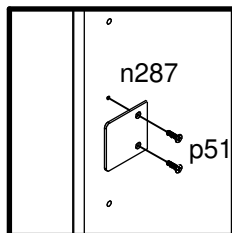
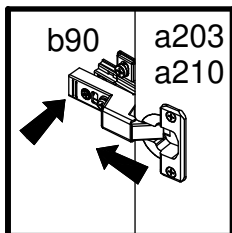
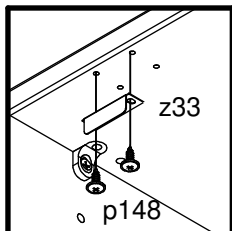
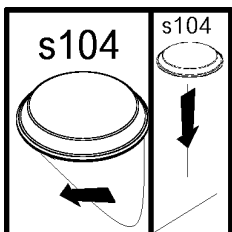
2x



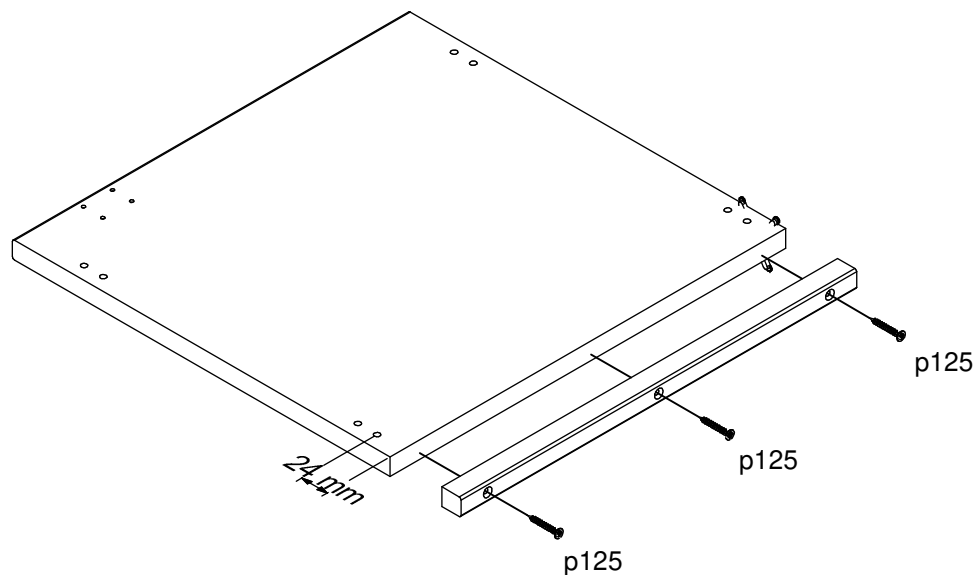
2x



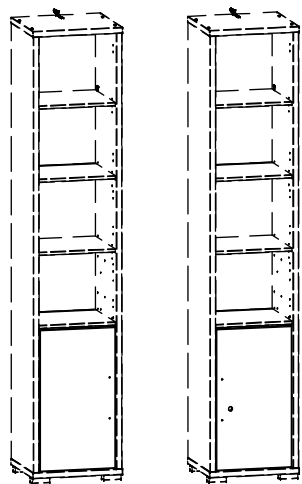
silikon




2F

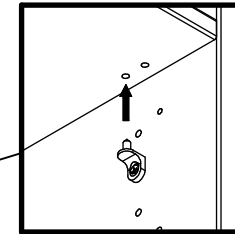
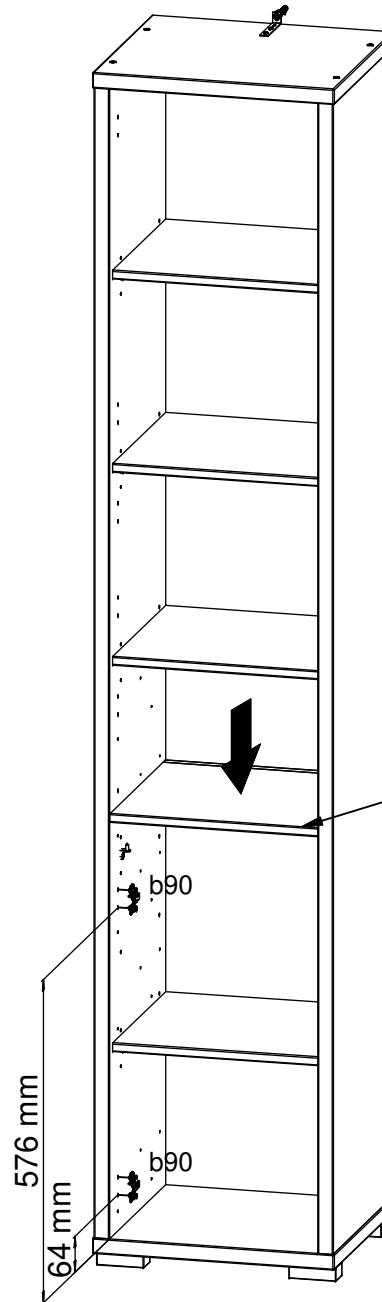
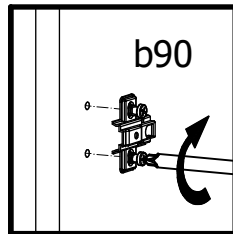
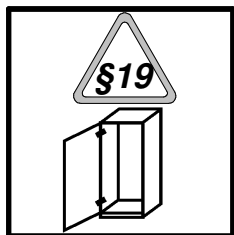


F

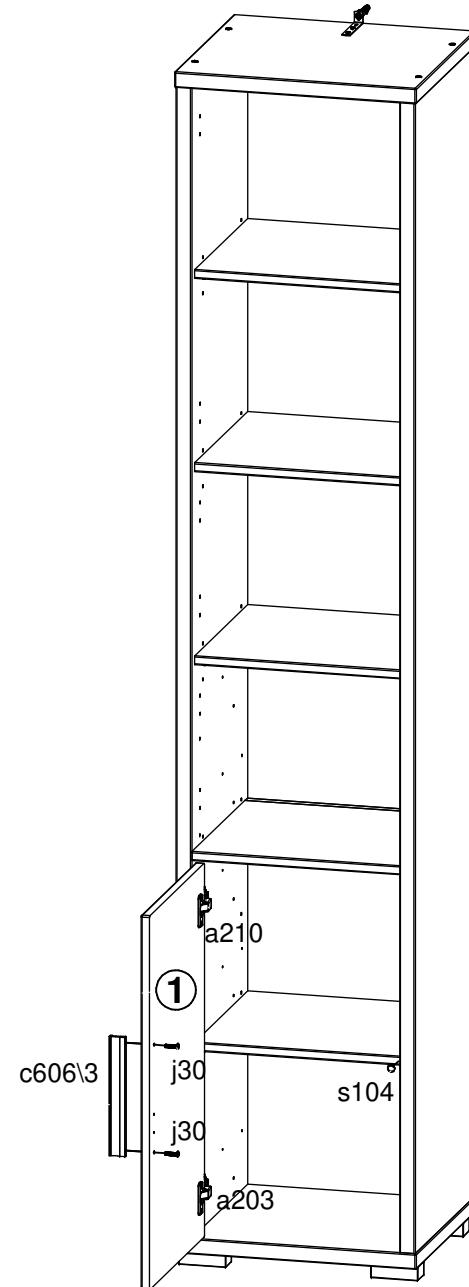
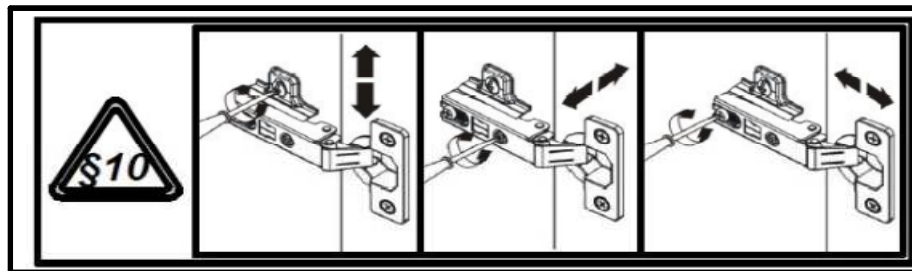
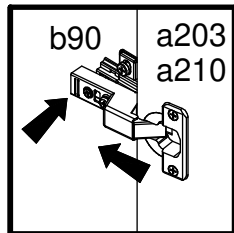
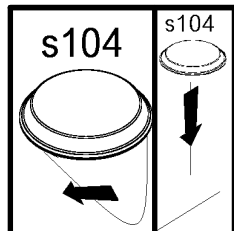
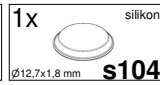
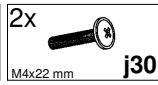
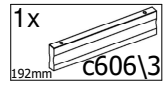


S643-REG/213/43

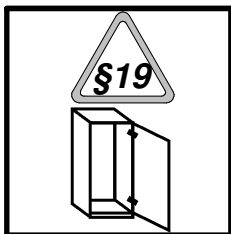
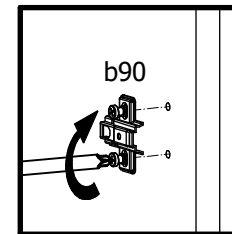
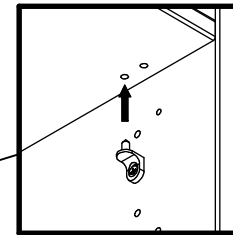
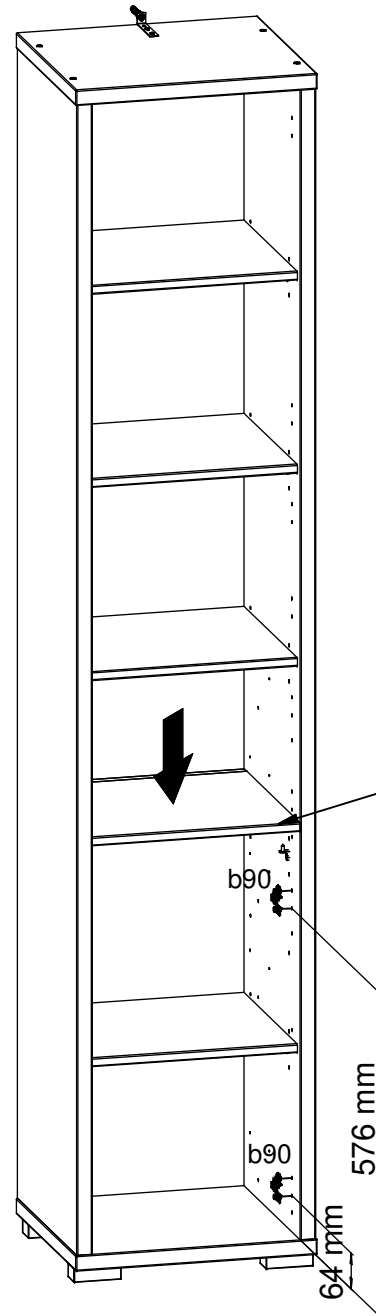
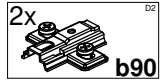
3F  2x ^{D2}
b90



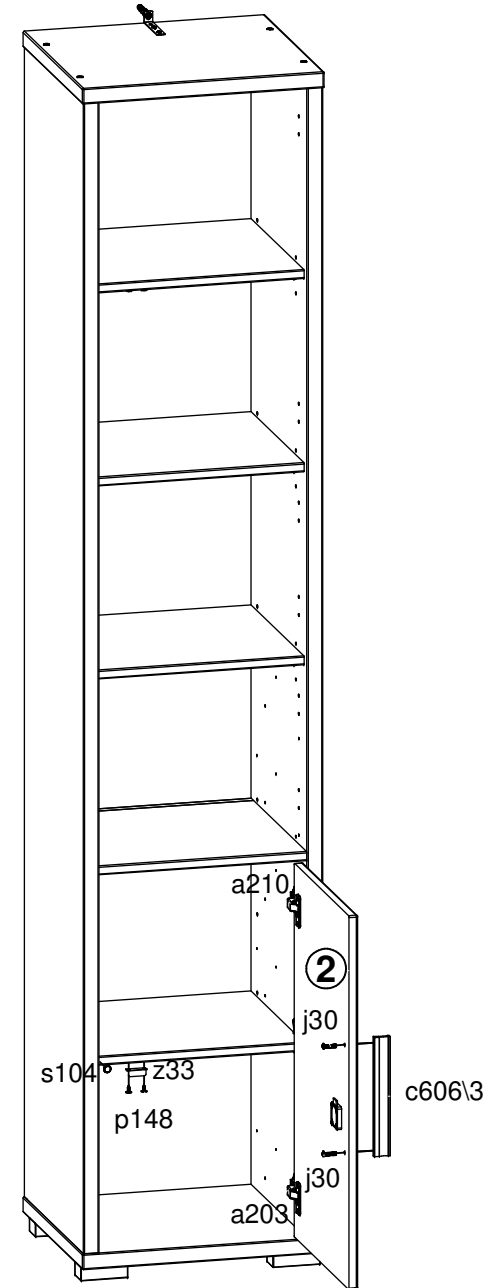
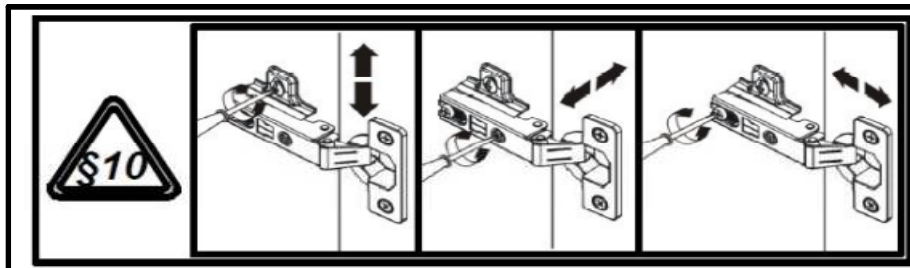
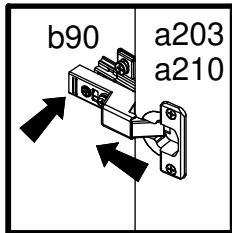
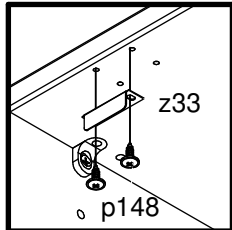
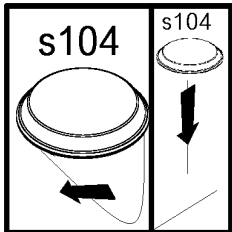
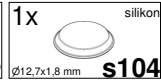
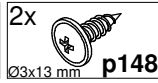
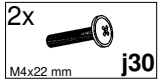
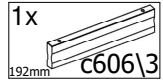
4F



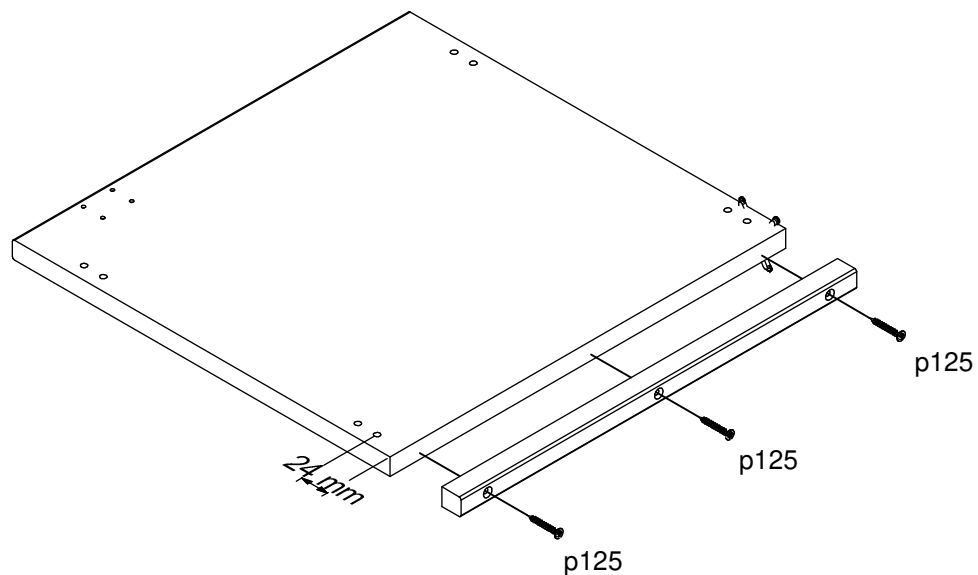
5F



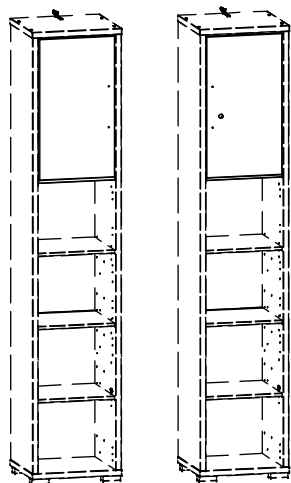
6F



2G

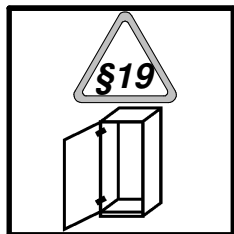
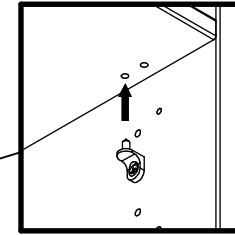
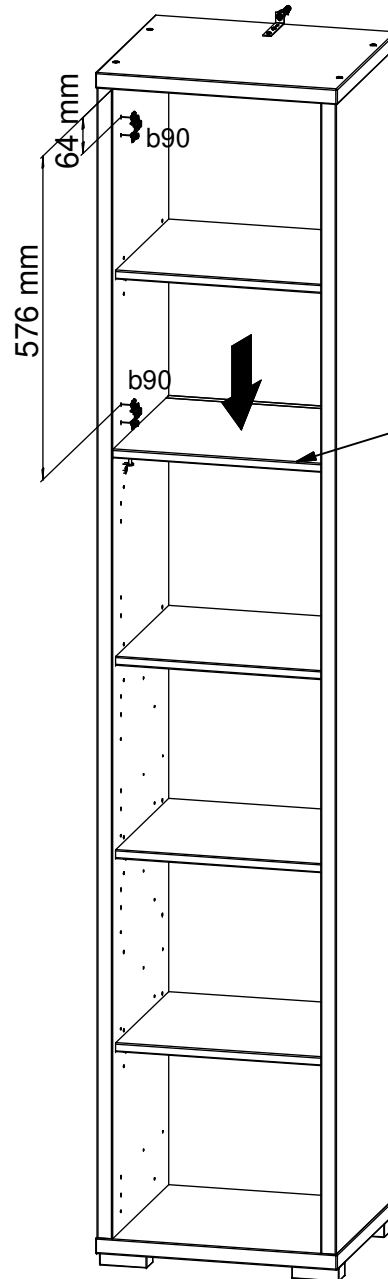
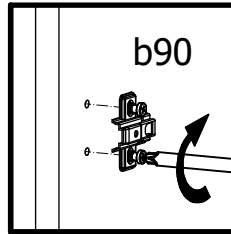


G

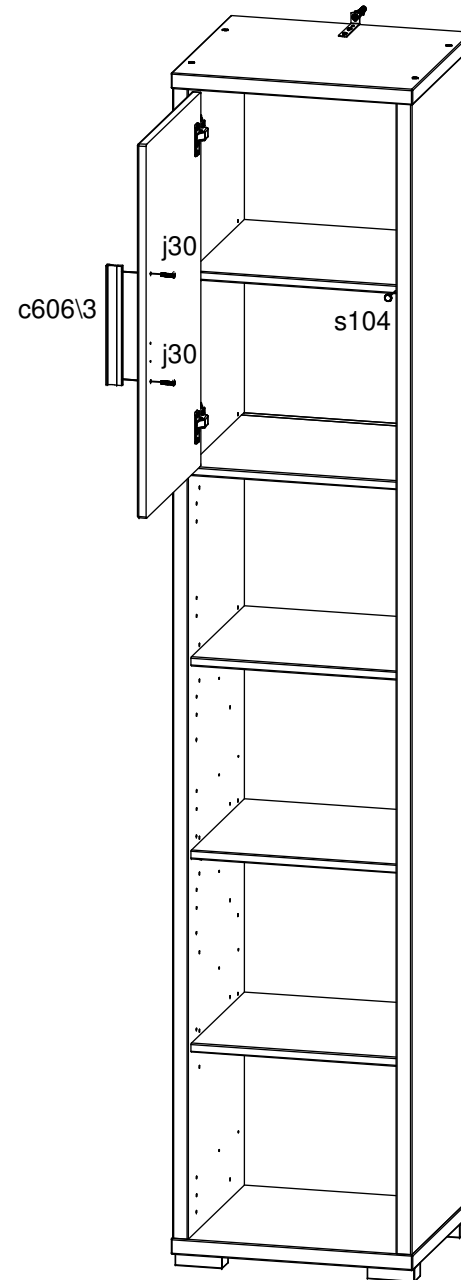
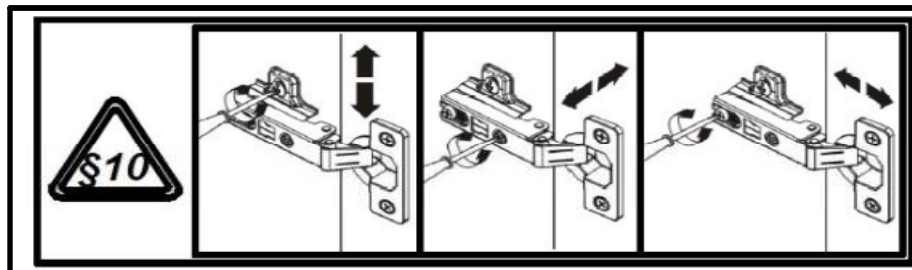
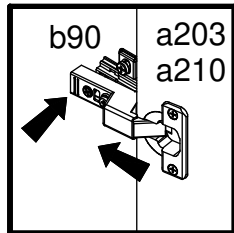
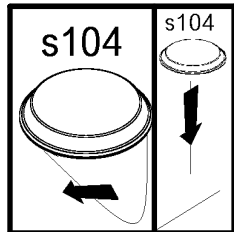
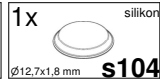
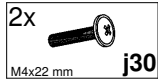
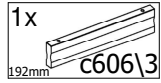


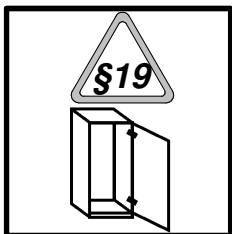
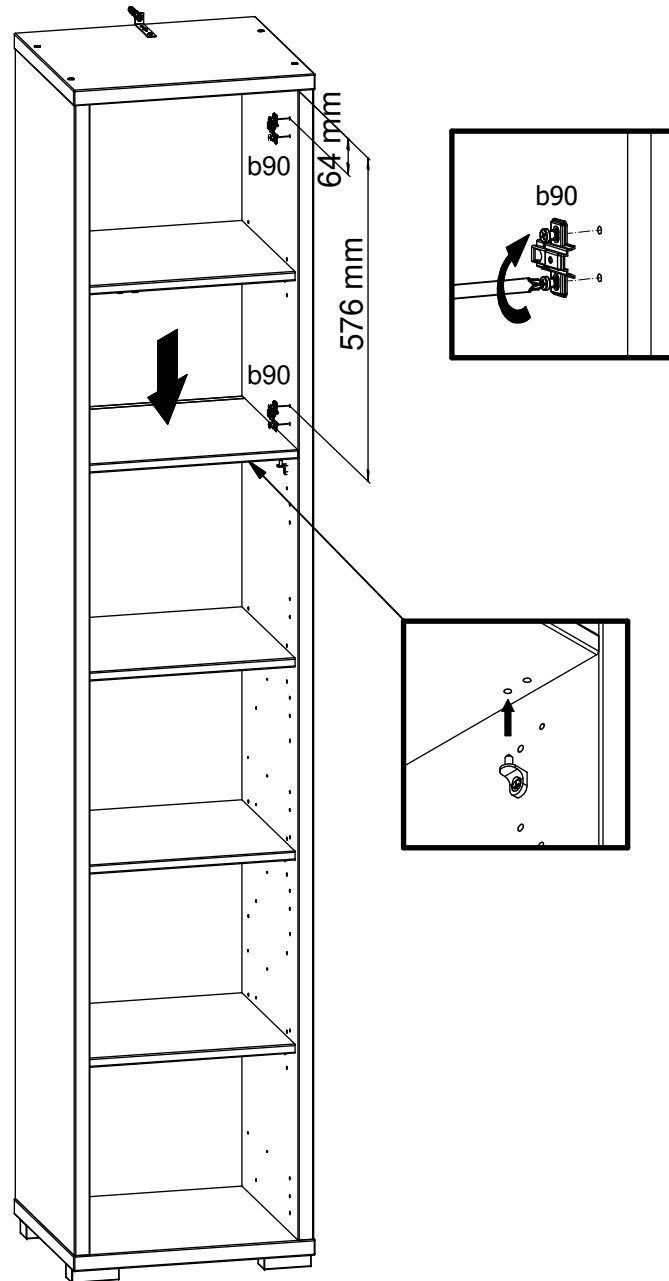
S643-REG/213/43

3G  2x  b90

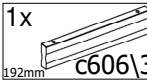

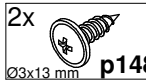



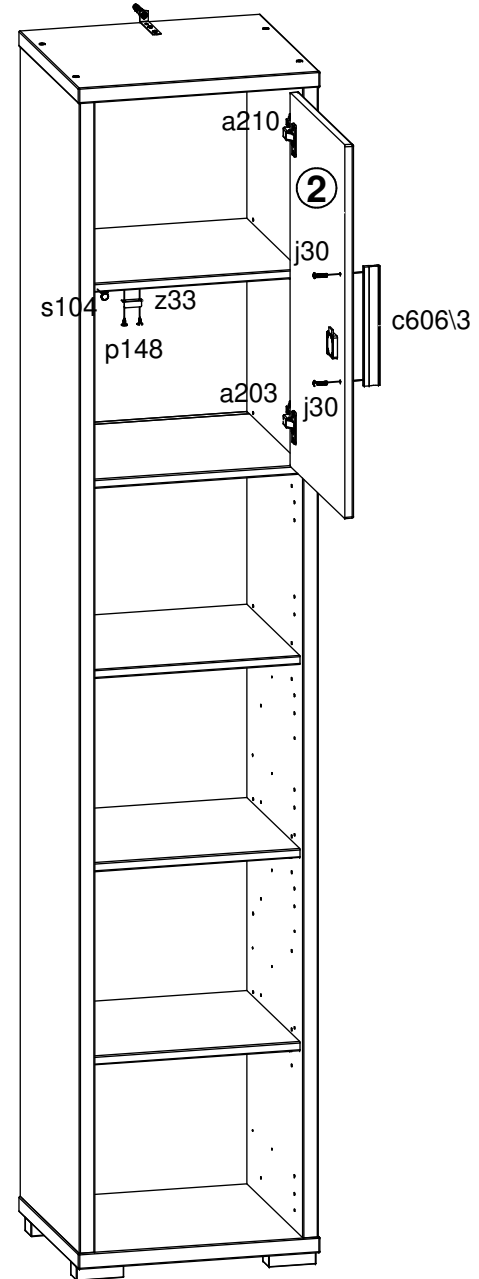
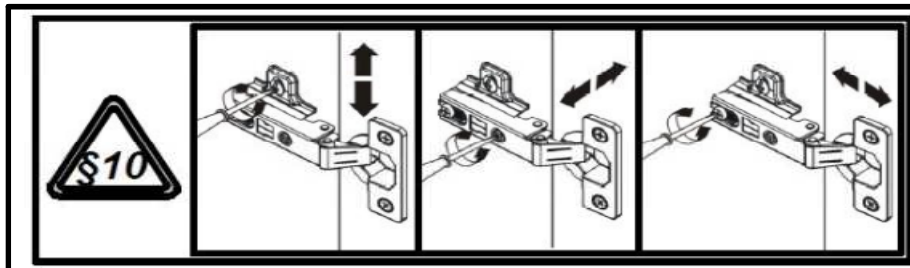
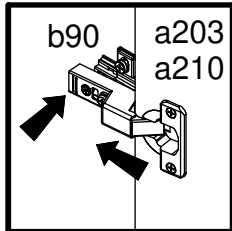
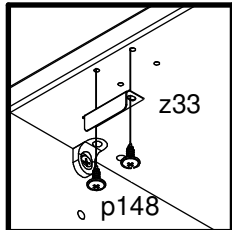
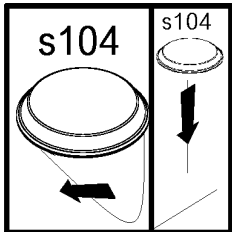
4G



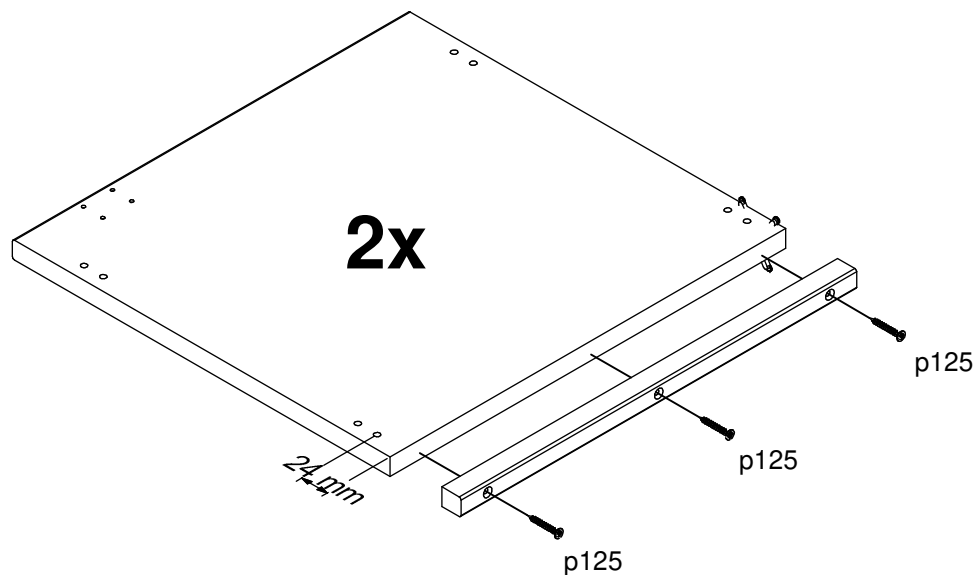


6G

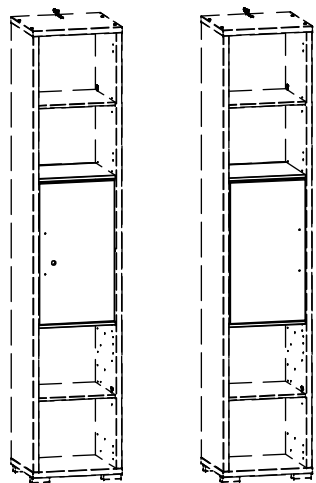
- 1x  c606/3
- 2x  j30
- 2x  p148
- 1x  silikon s104



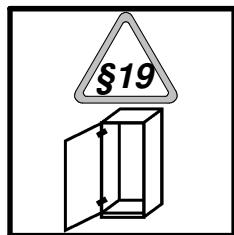
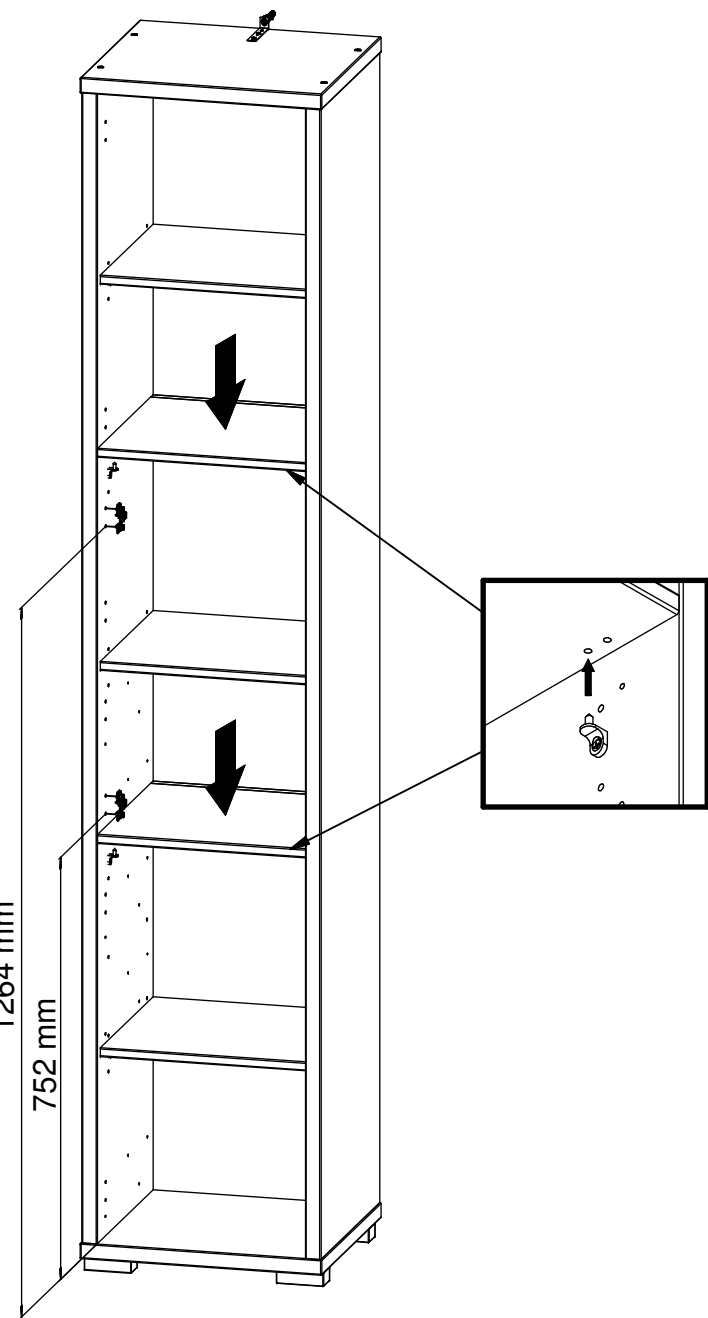
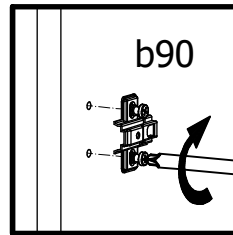
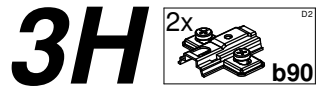
2H



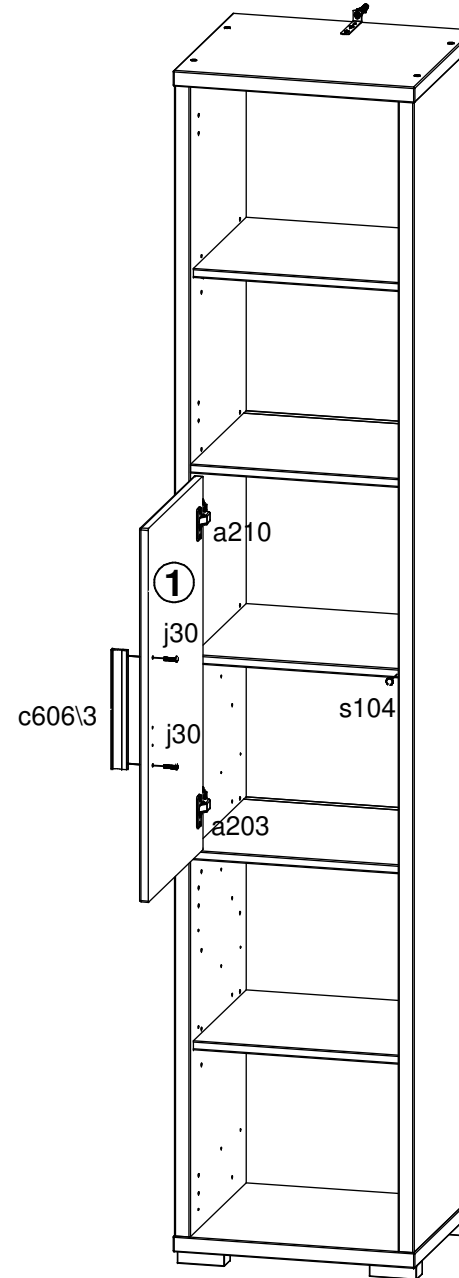
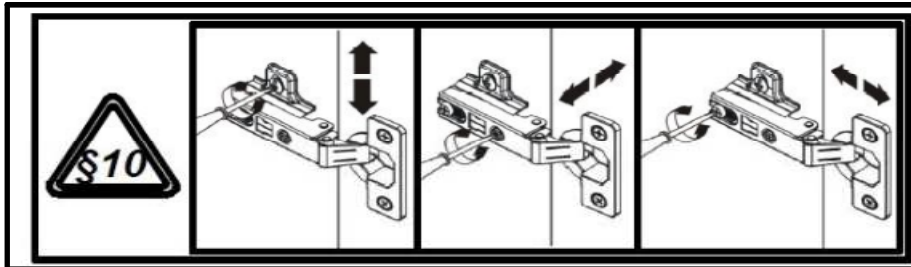
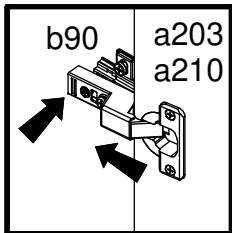
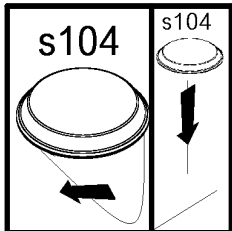
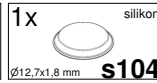
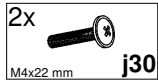
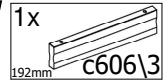
H




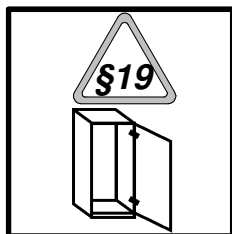
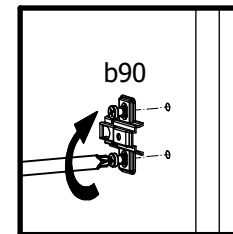
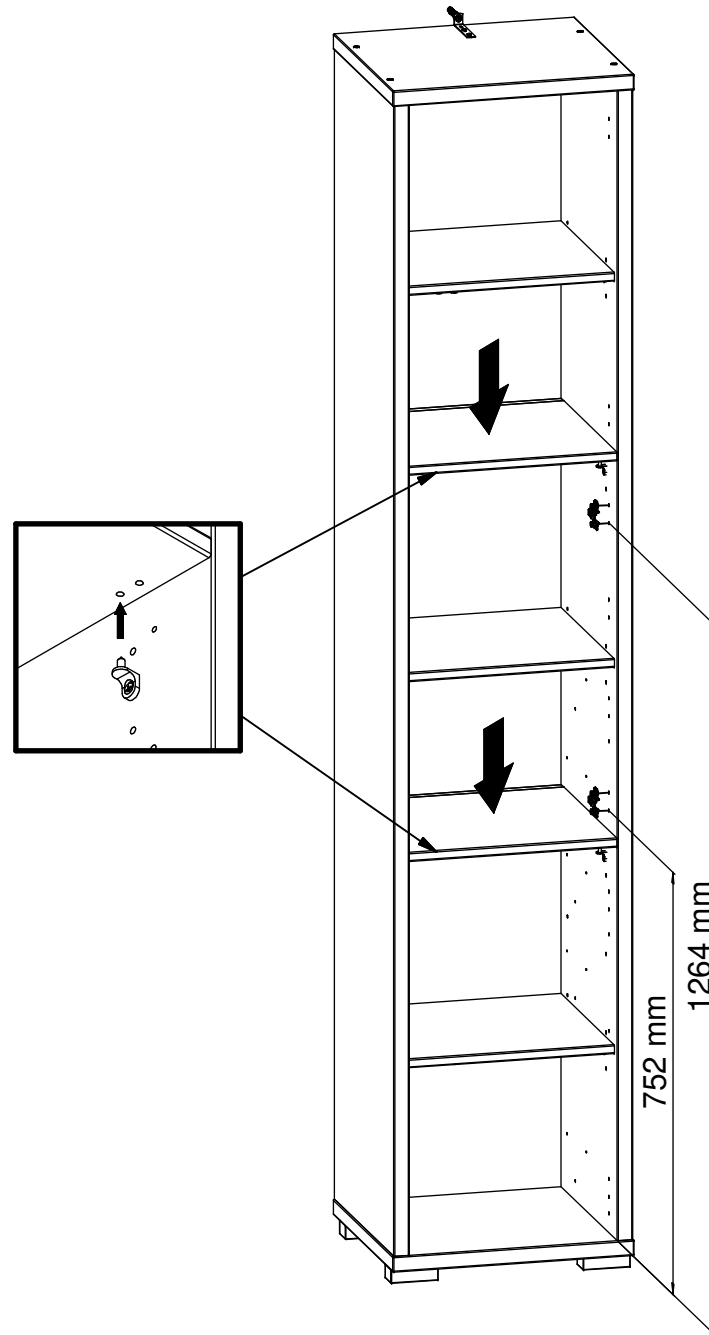
S643-REG/213/43

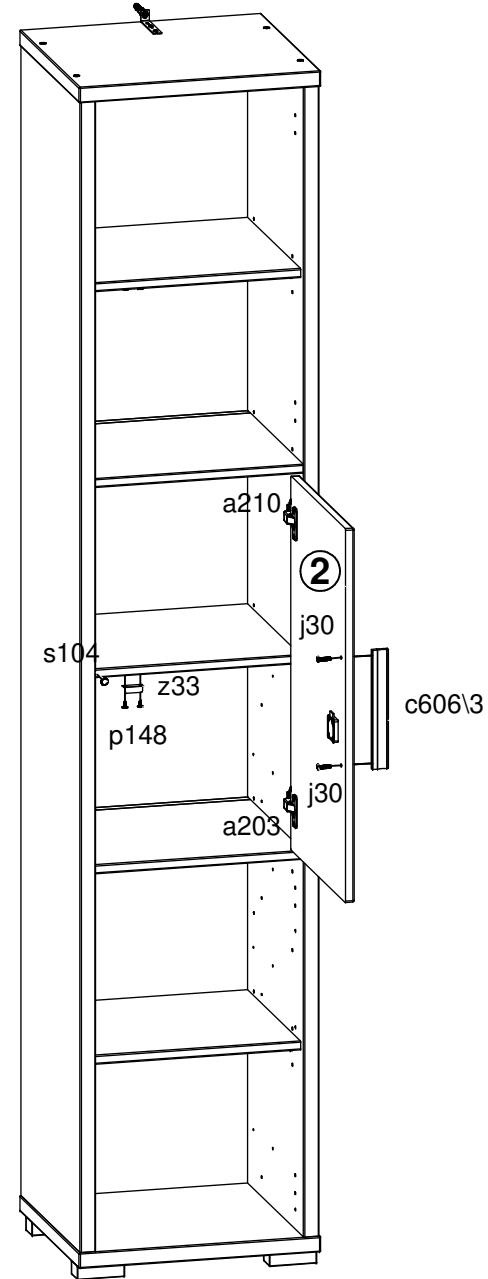
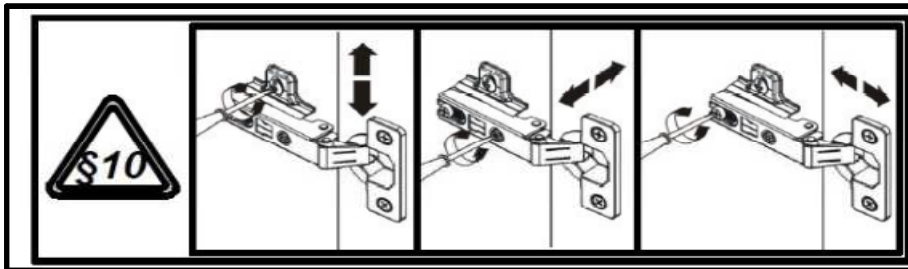
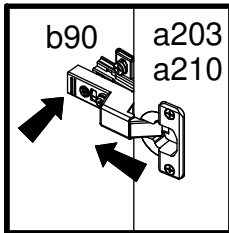
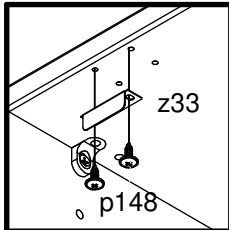
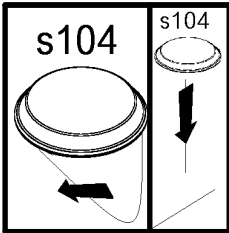
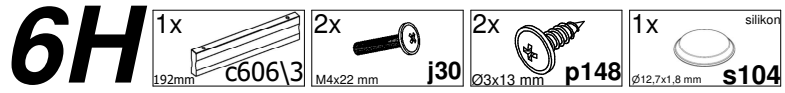


4H

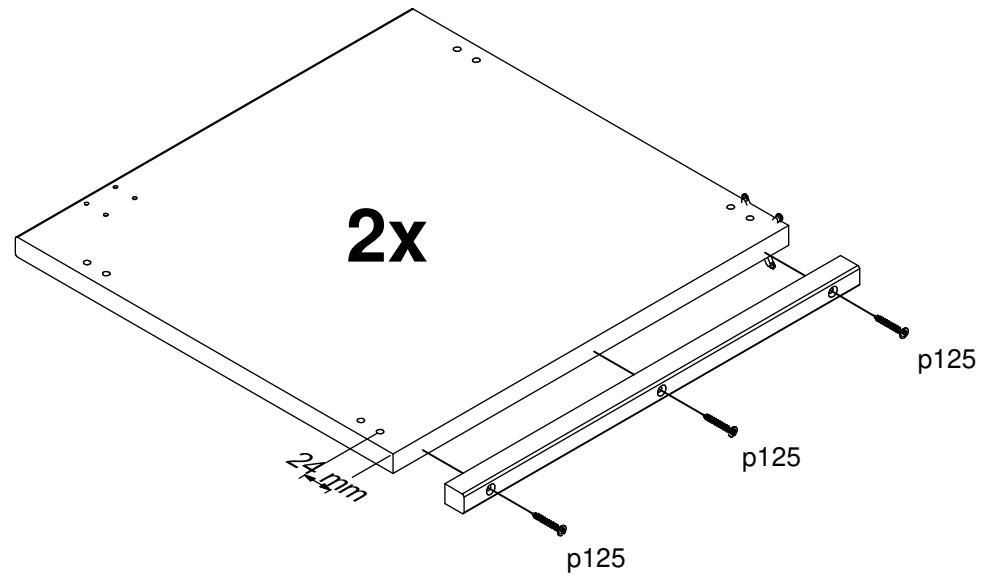
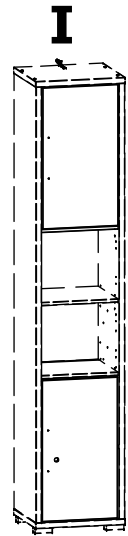


5H  2x D2
b90






21



S643-REG/213/43

3/  4x b90

