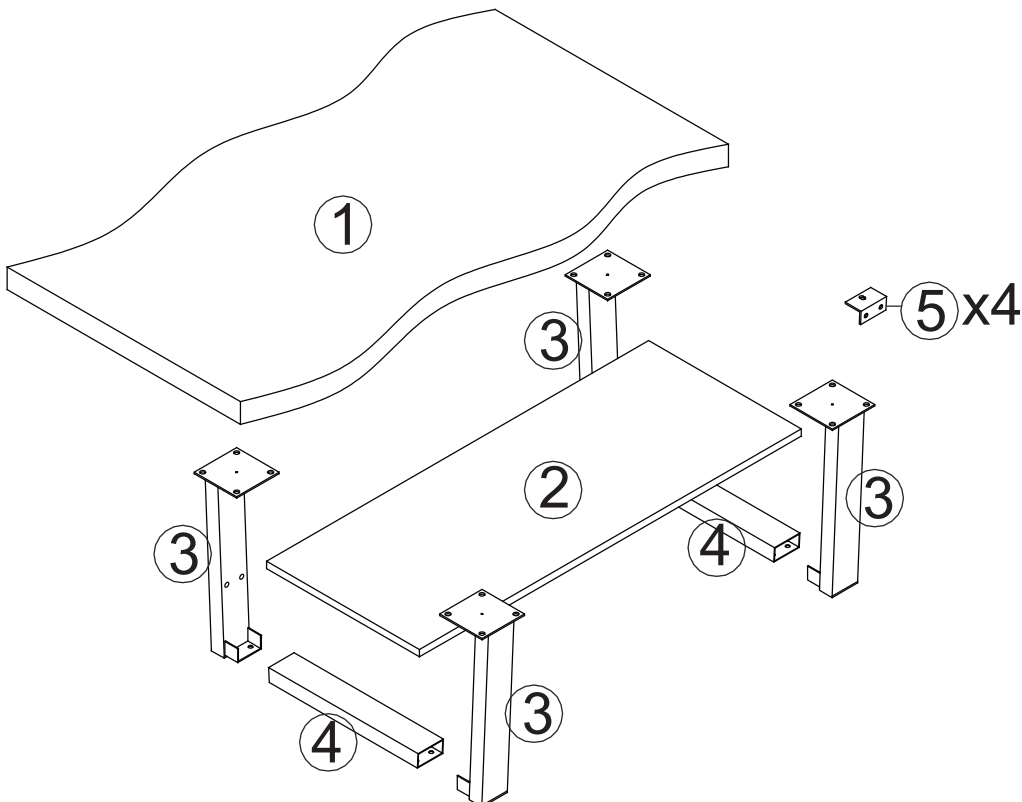
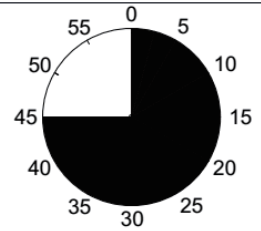
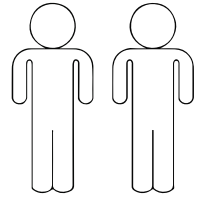
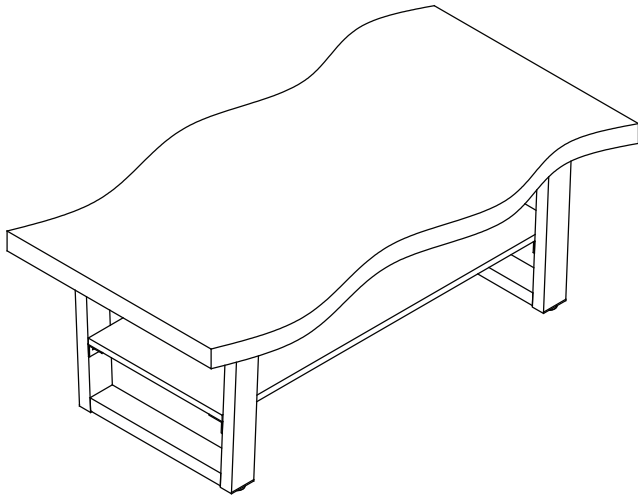


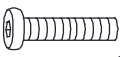




Gabriel CT

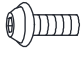



| | | |
|---|----|---|
| | |  |
| 1 | 1x | 1/2 |
| 2 | 1x | 1/2 |
| 3 | 4x | 2/2 |
| 4 | 2x | 2/2 |
| 5 | 4x | 2/2 |


| | |
|---|---------|
|  | 2/2 |
| A | M8x25mm |
|  | 16x |

| | |
|---|--------|
| B | φ30xM8 |
|  | 4x |

| | |
|---|------------|
| C | φ16xφ8x1mm |
|  | 16x |

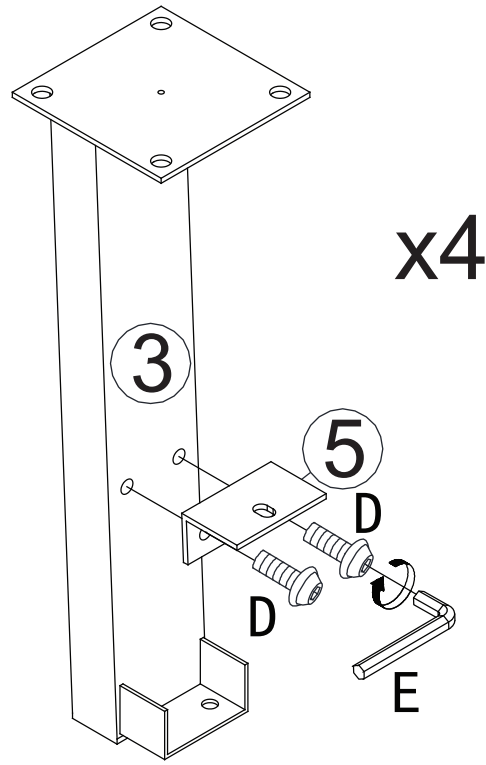
| | |
|---|---------|
| D | M6x12mm |
|  | 20x |

| | |
|---|----|
| E | M4 |
|  | 1x |

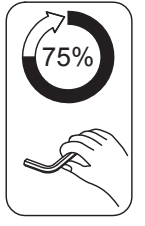
| | |
|---|----|
| F | M5 |
|  | 1x |

I.

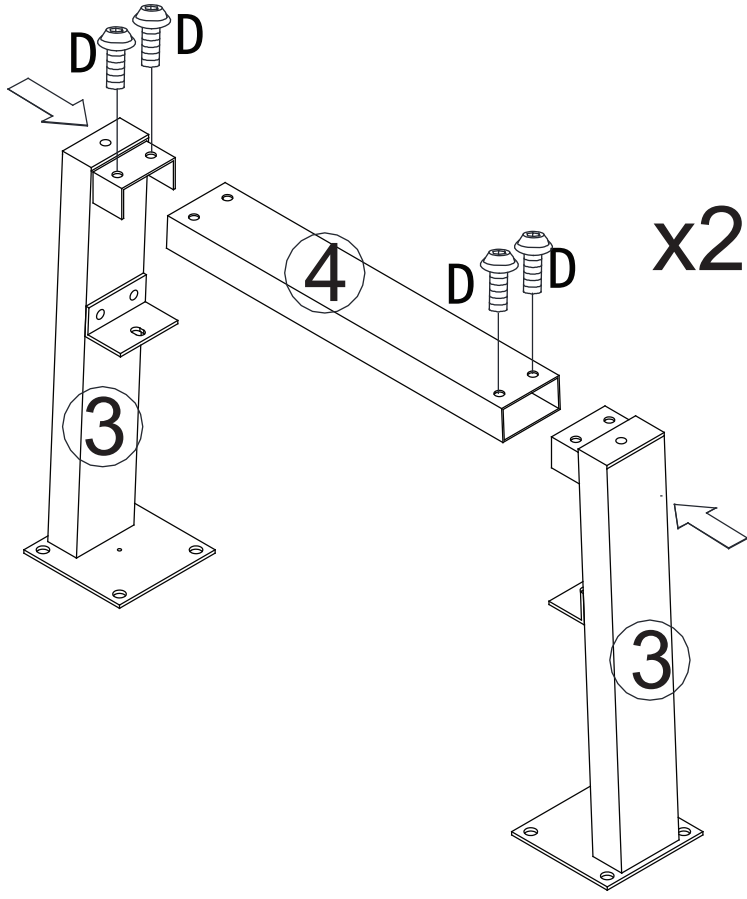
1.



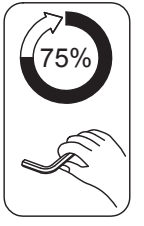
| | | |
|---|---------|----|
| D | M6X12mm | 8x |
| E | M4 | 1x |



2.

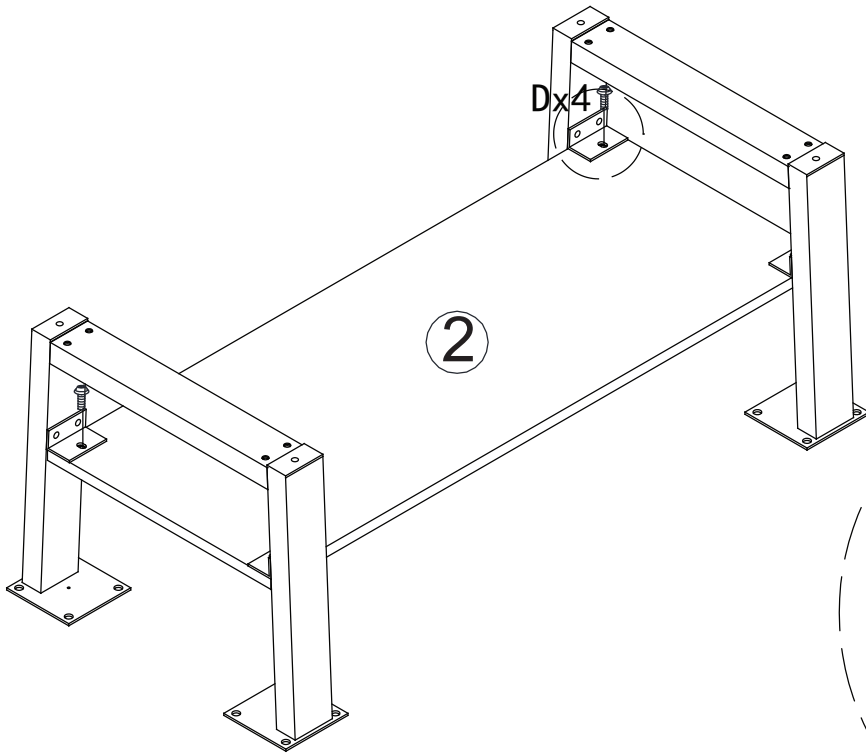




| | | |
|---|---------|----|
| D | M6X12mm | 8x |
| E | M4 | 1x |

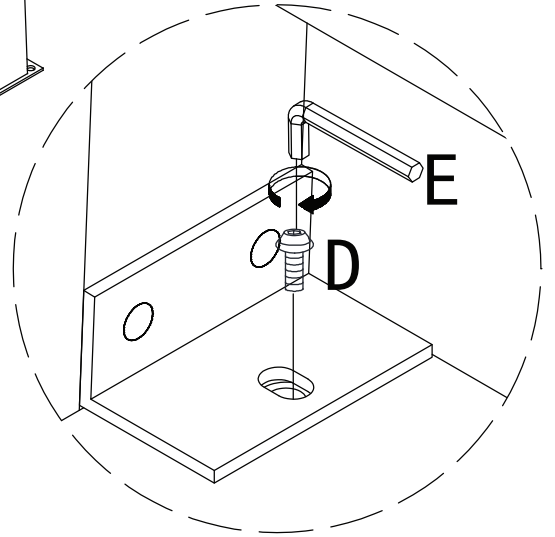
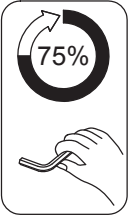


II.

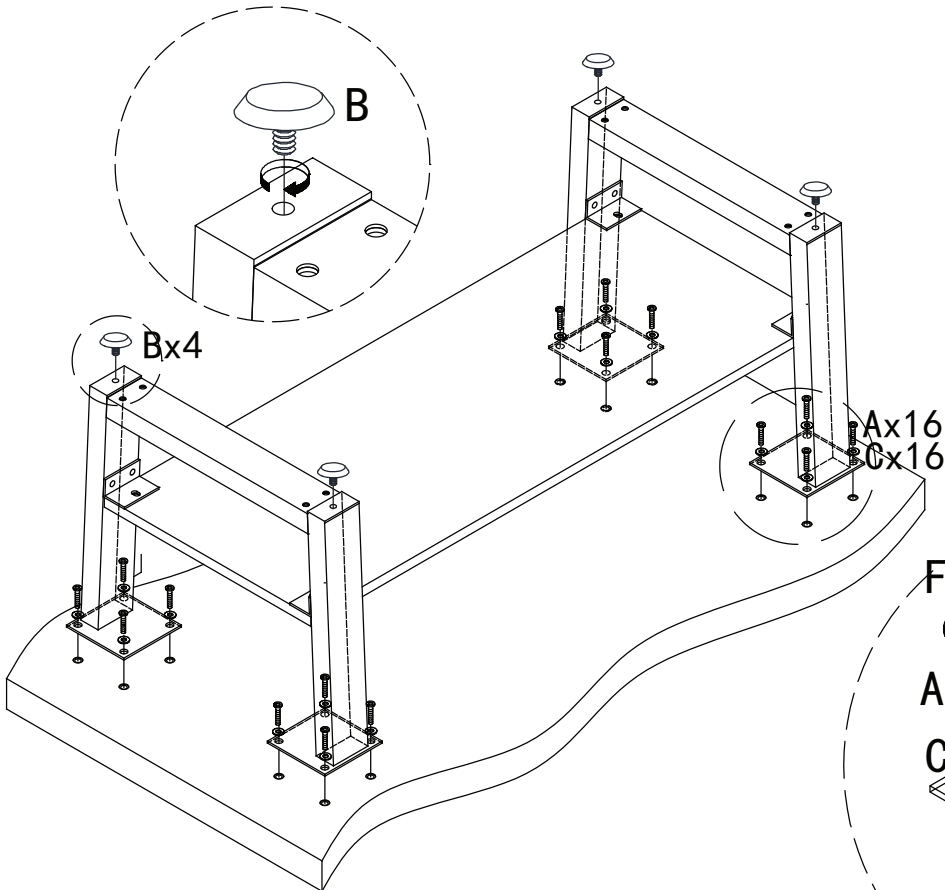
3.







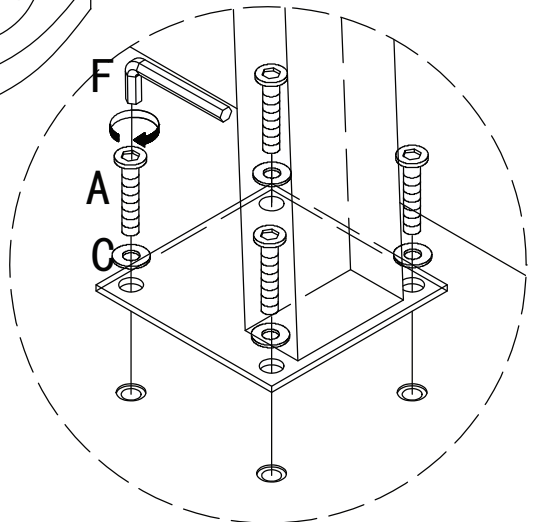
| | |
|----------|--|
| D |  M6X12mm 4x |
| E |  M4 1x |



4.


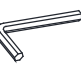


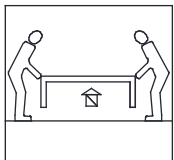
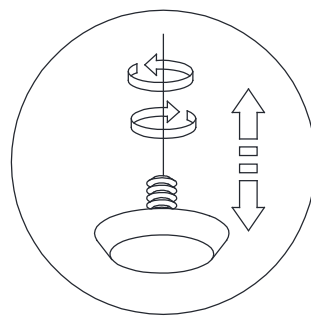
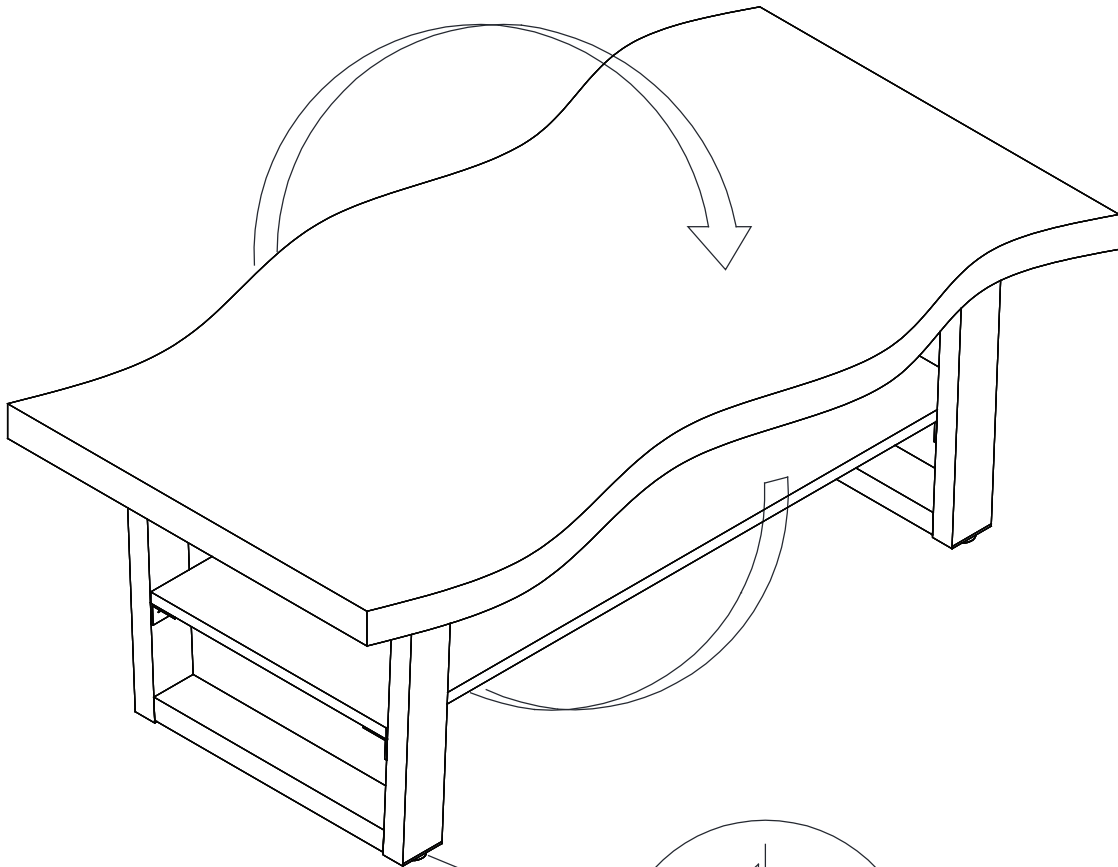
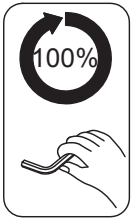
| | |
|----------|---|
| A |  M8x25mm 16x |
| B |  φ30xM8 4x |
| C |  φ16xφ8x1mm 16x |
| F |  M5 1x |



III.

5.

| | | |
|---|---|----|
| E |  | M4 |
| | | 1x |
| F |  | M5 |
| | | 1x |



**LE TRI
+ FACILE**



+



Séparez les éléments avant de trier