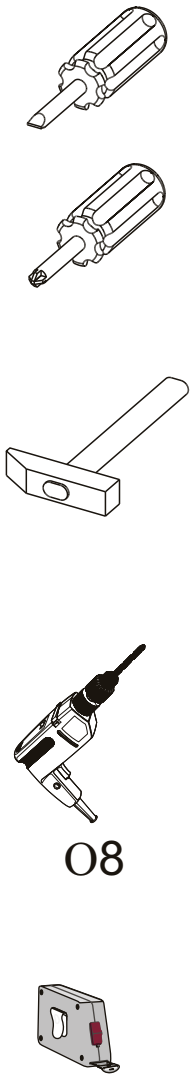
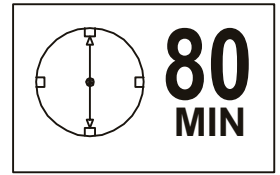
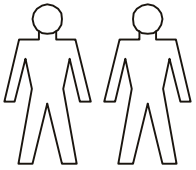
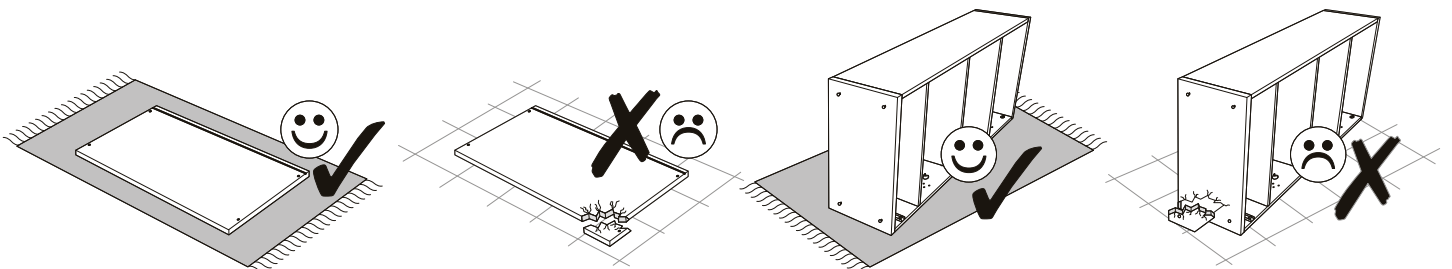
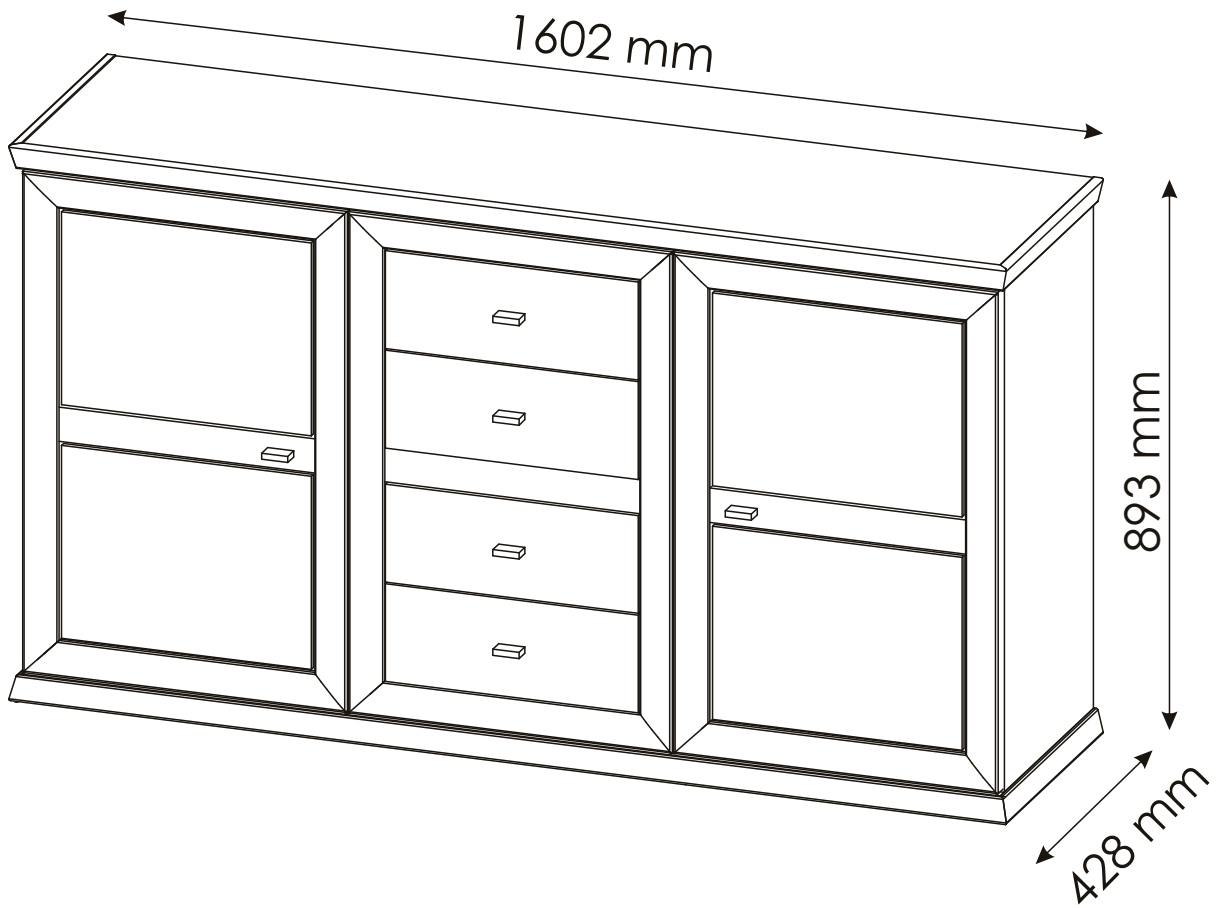


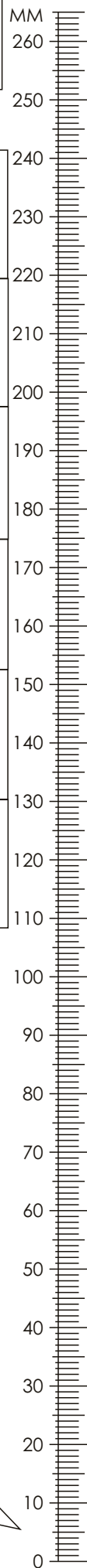
CAMRON/BENTON - Sideboard , Typ 2T4L



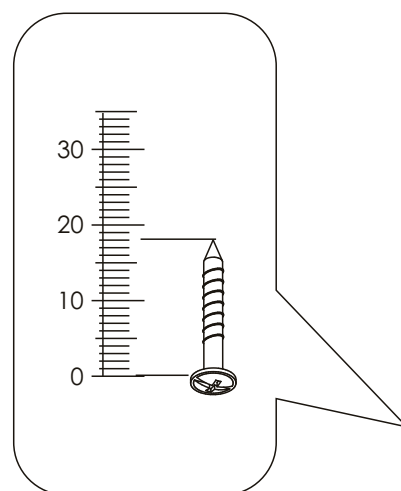
08



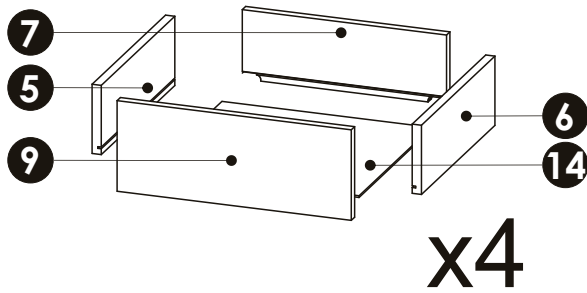
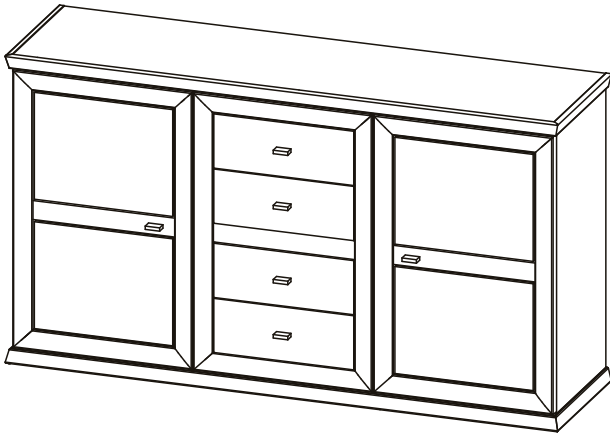
CAMRON/BENTON - Sideboard , Typ 2T4L




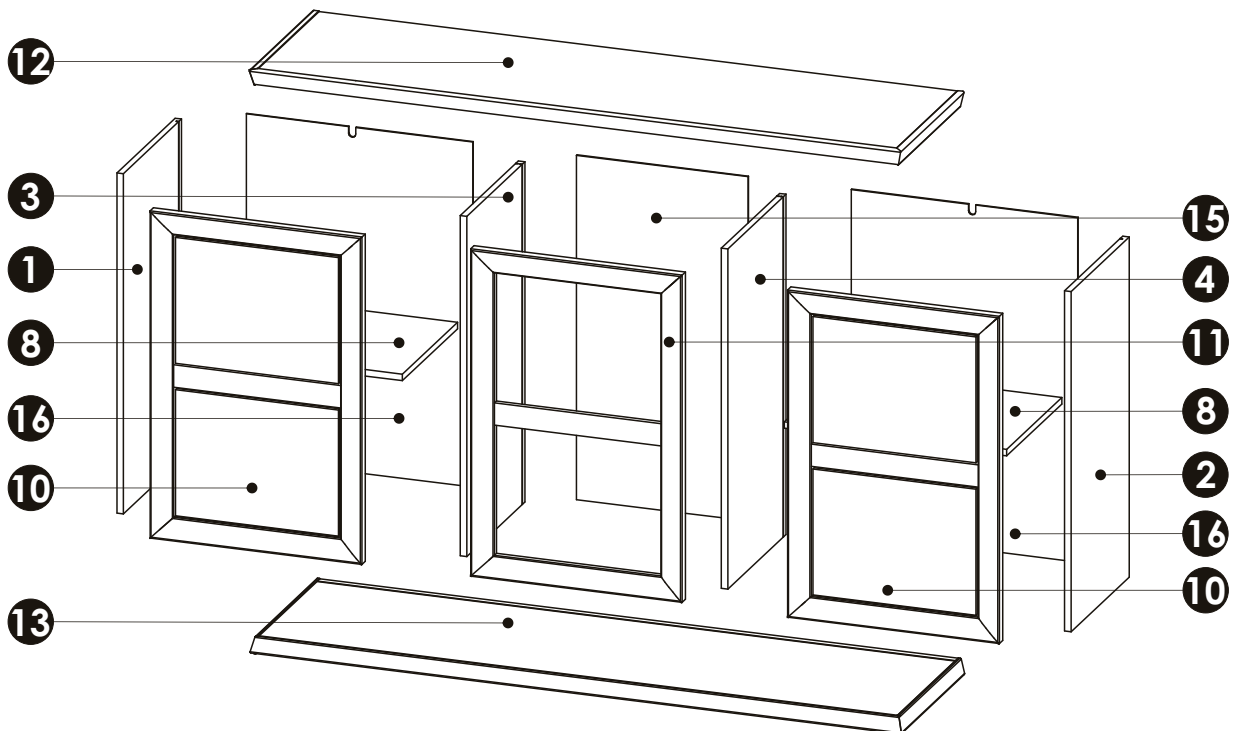
B1 f 7 x 50 mm x8 	C0 x36 	C2 x36
D0 3 x 15 mm x46 	D10 4 x 16 mm x8 	D21 5 x 13 mm x2
D31 6,3 x 13 mm x32 	E0 5 x 50 mm 8 x 50 mm x2 	H2 4 x 22 mm x12
J3 x4 	J10 x4 	K 4mm x1
L6 x6 	M1 x46 	N14 x4 L-350mm
P0 x2 	Q3 x8 	U2 x8

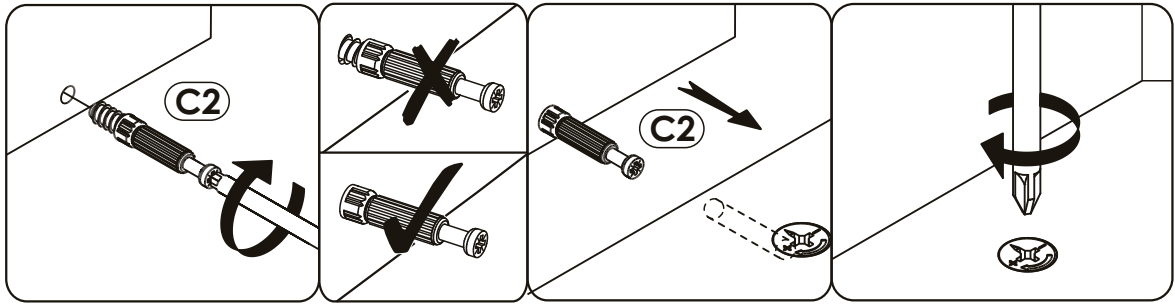


CAMRON/BENTON - Sideboard , Typ 2T4L

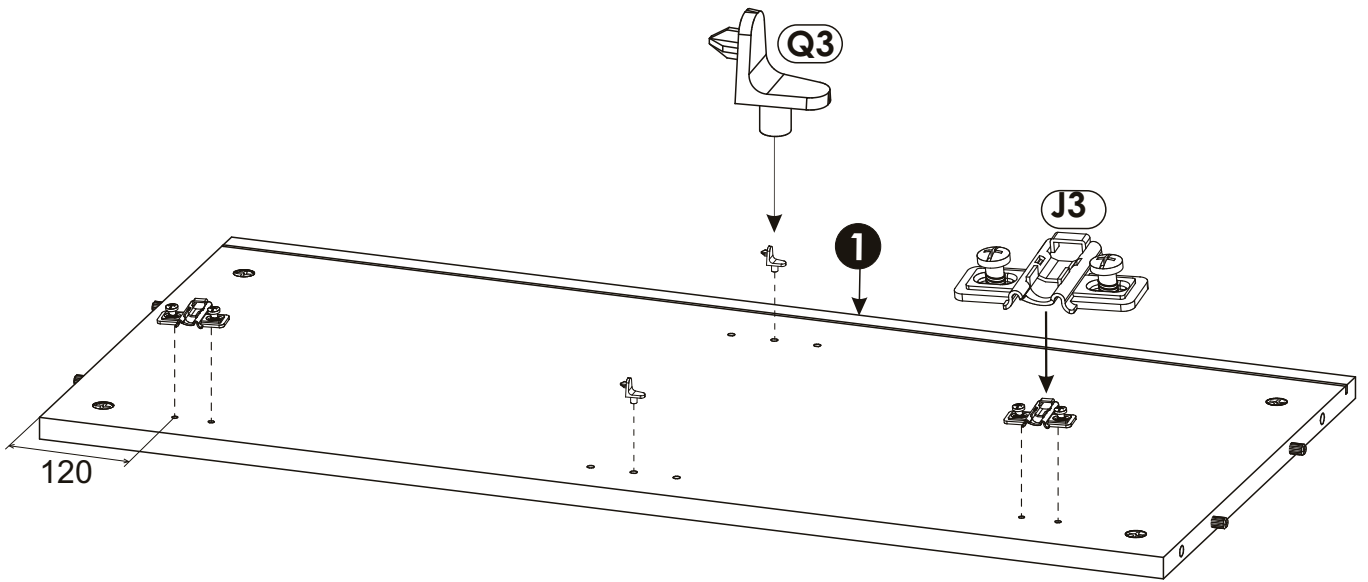
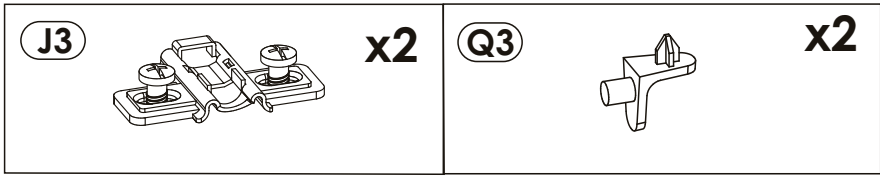


1	837	393	16	x1	1/3
2	837	393	16	x1	1/3
3	837	393	16	x1	1/3
4	837	393	16	x1	1/3
5	350	120	16	x4	1/3
6	350	120	16	x4	1/3
7	372	120	16	x4	1/3
8	547	373	16	x2	1/3
9	406	157	16	x4	2/3
10	805	521	25	x2	2/3
11	805	520	25	x1	2/3
12	1602	428	40	x1	3/3
13	1602	428	40	x1	3/3
14	382	344	2.8	x4	1/3
15	847	422	2.8	x1	2/3
16	557	847	2.8	x2	2/3
					1/3

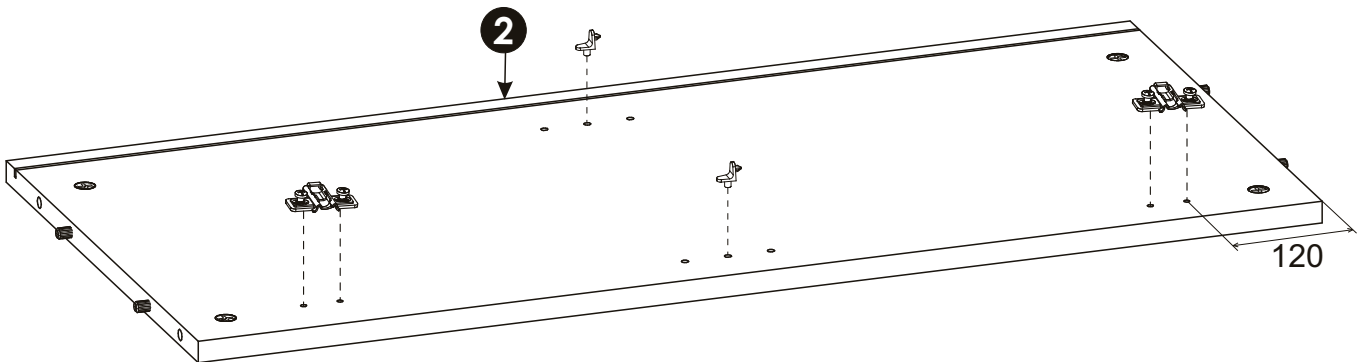
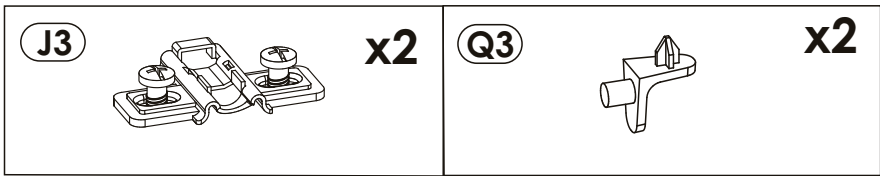




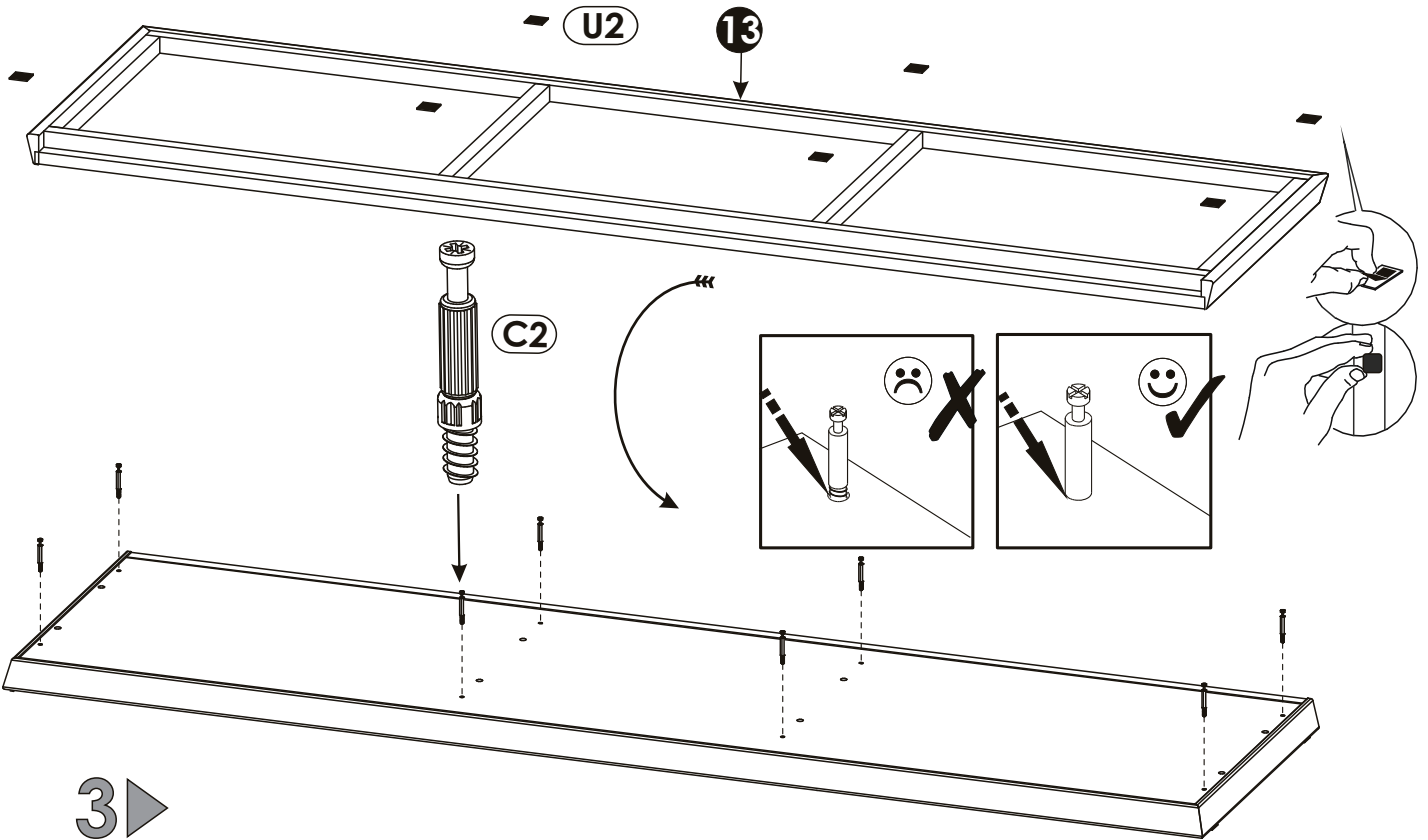
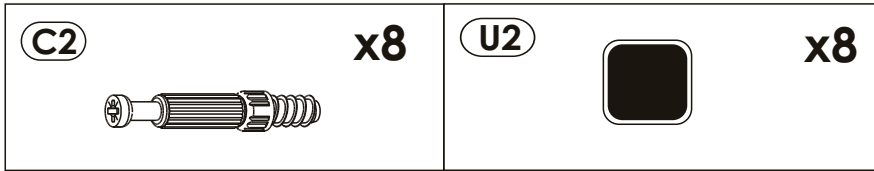
1 ▶



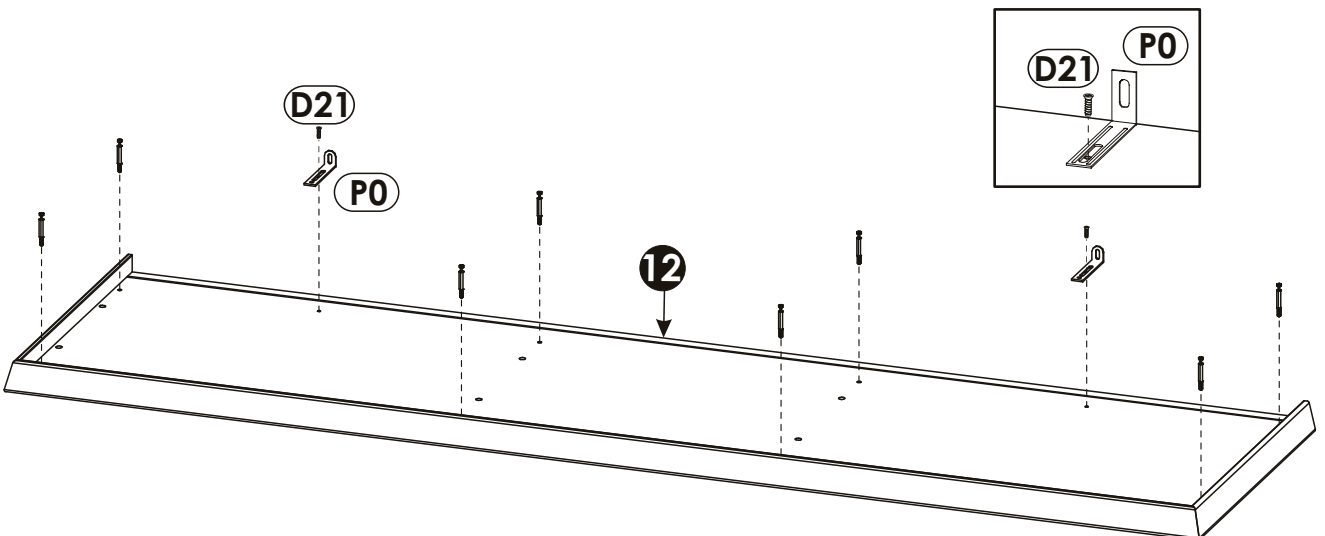
2 ▶




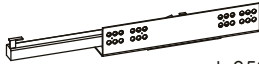
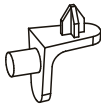
2 ▶

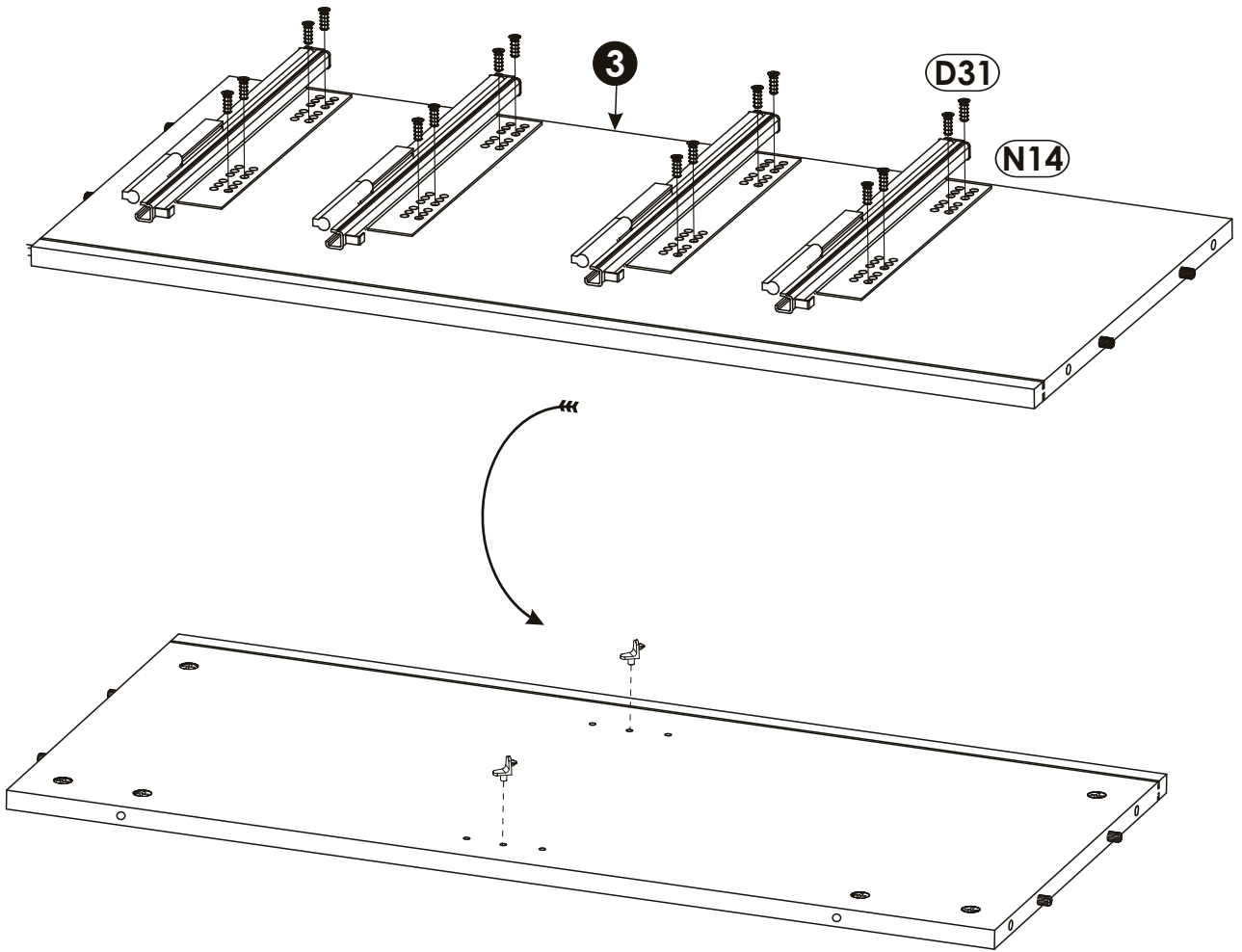
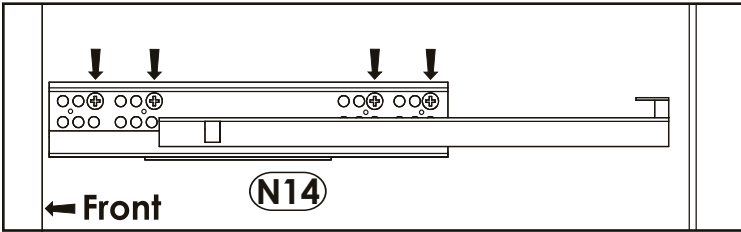


3 ▶


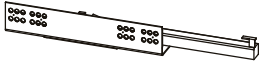
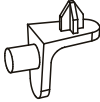


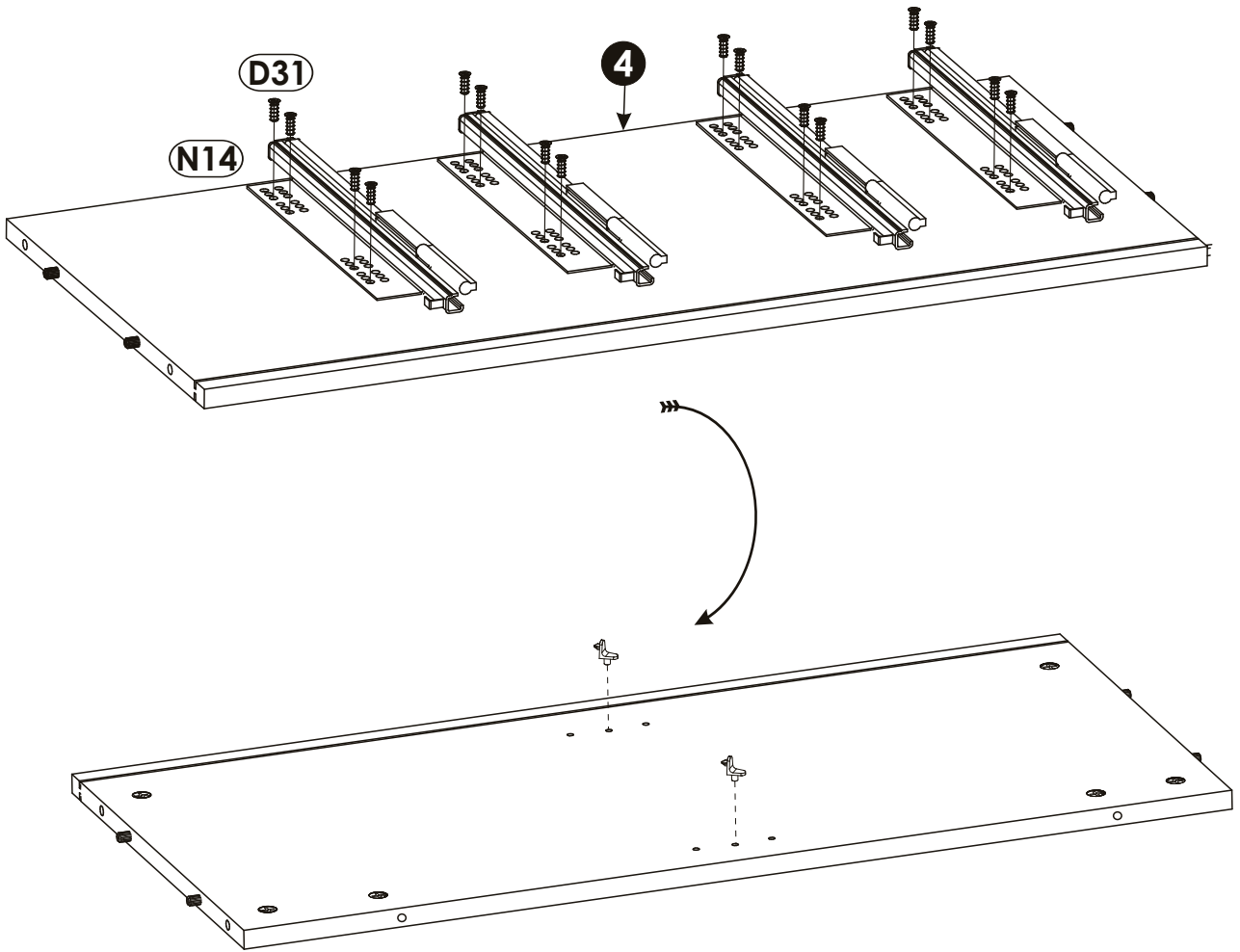
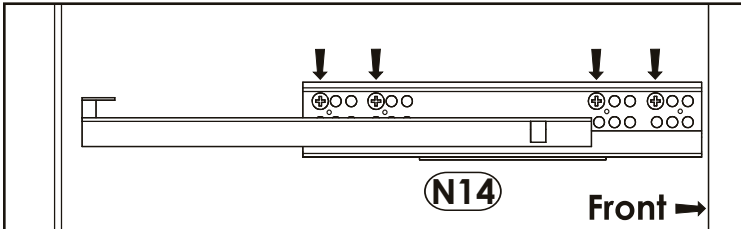
4 ▶

D31 6,3 x 13 mm 	x16	N14  L-350mm	x4	Q3 	x2
--	------------	--	-----------	--	-----------

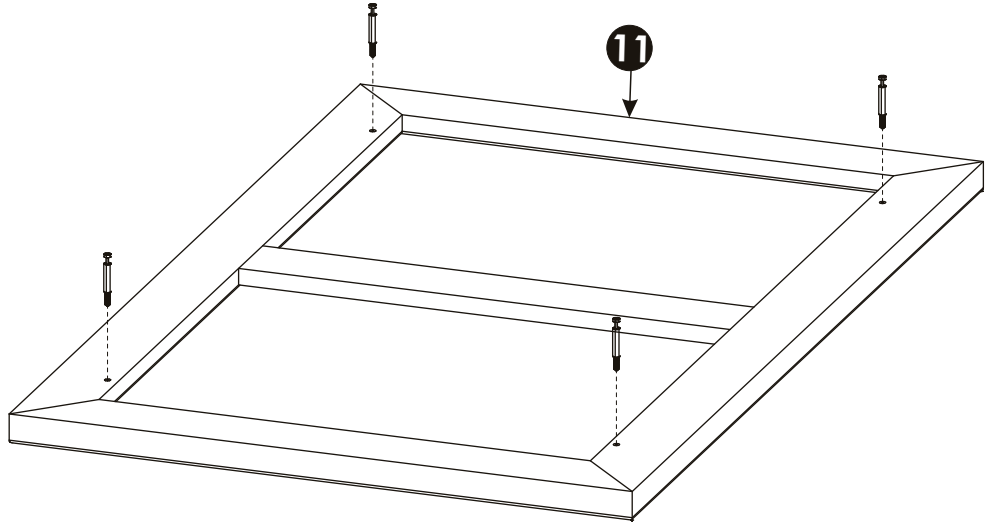
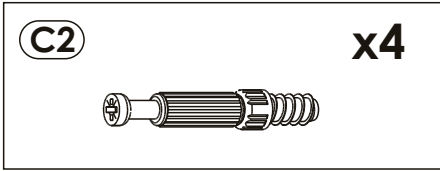


5 ▶

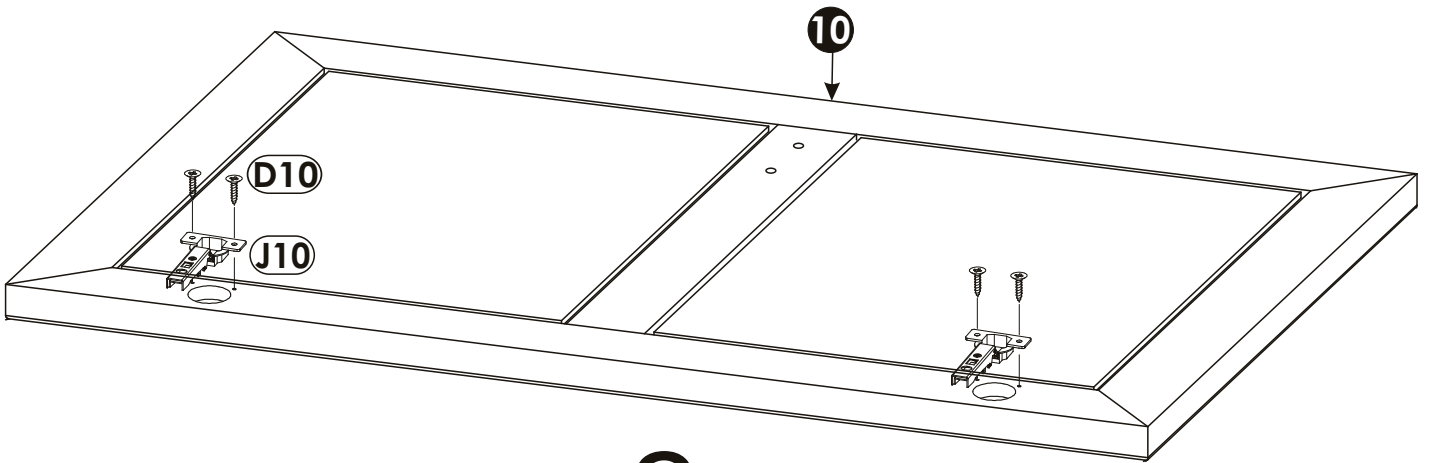
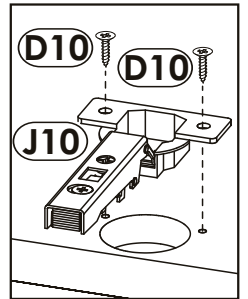
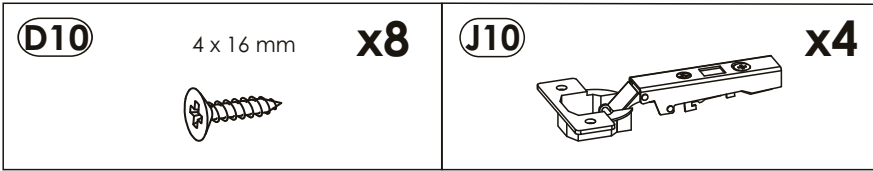
D31 6,3 x 13 mm 	x16	N14  L-350mm	x4	Q3 	x2
--	------------	--	-----------	--	-----------



6 ▶

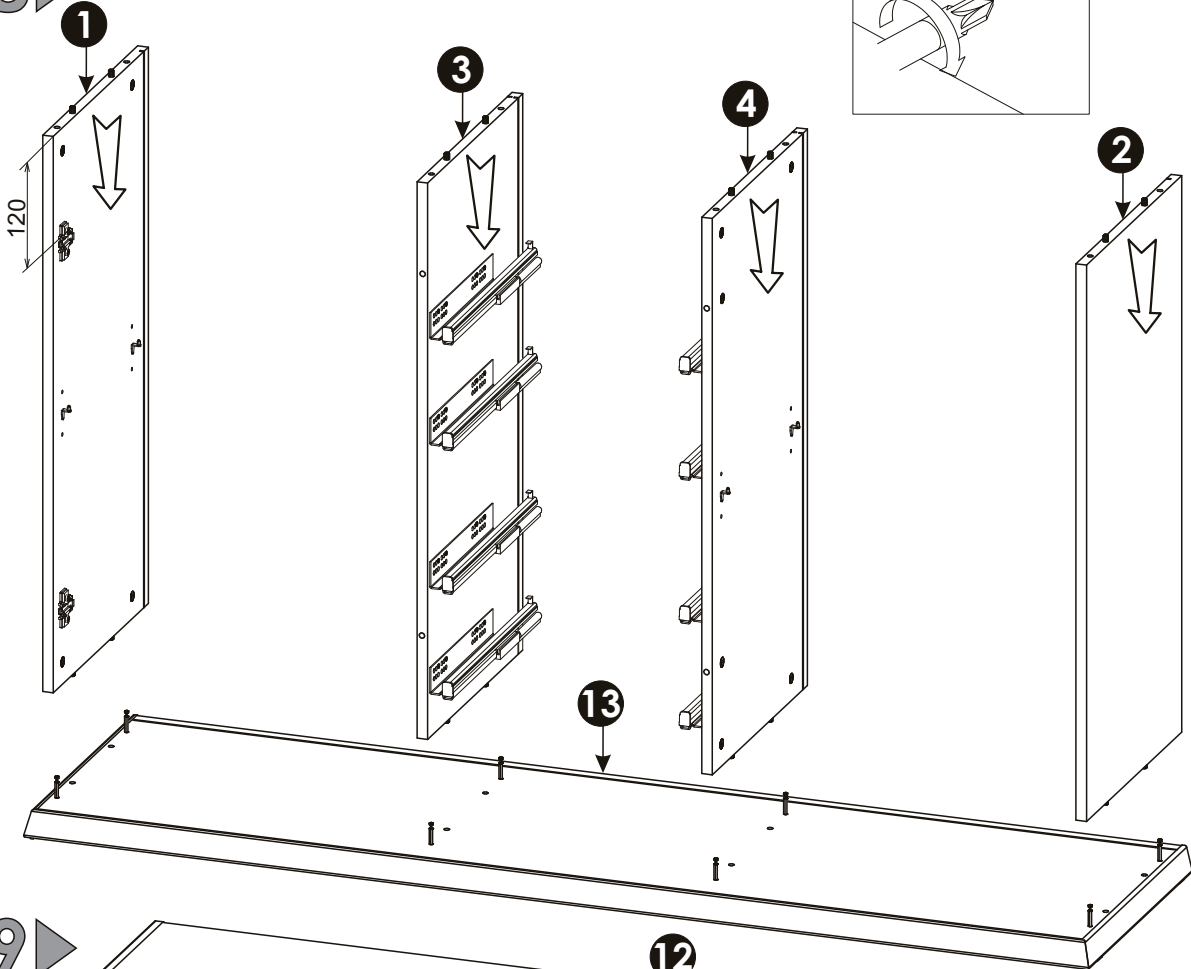


7 ▶

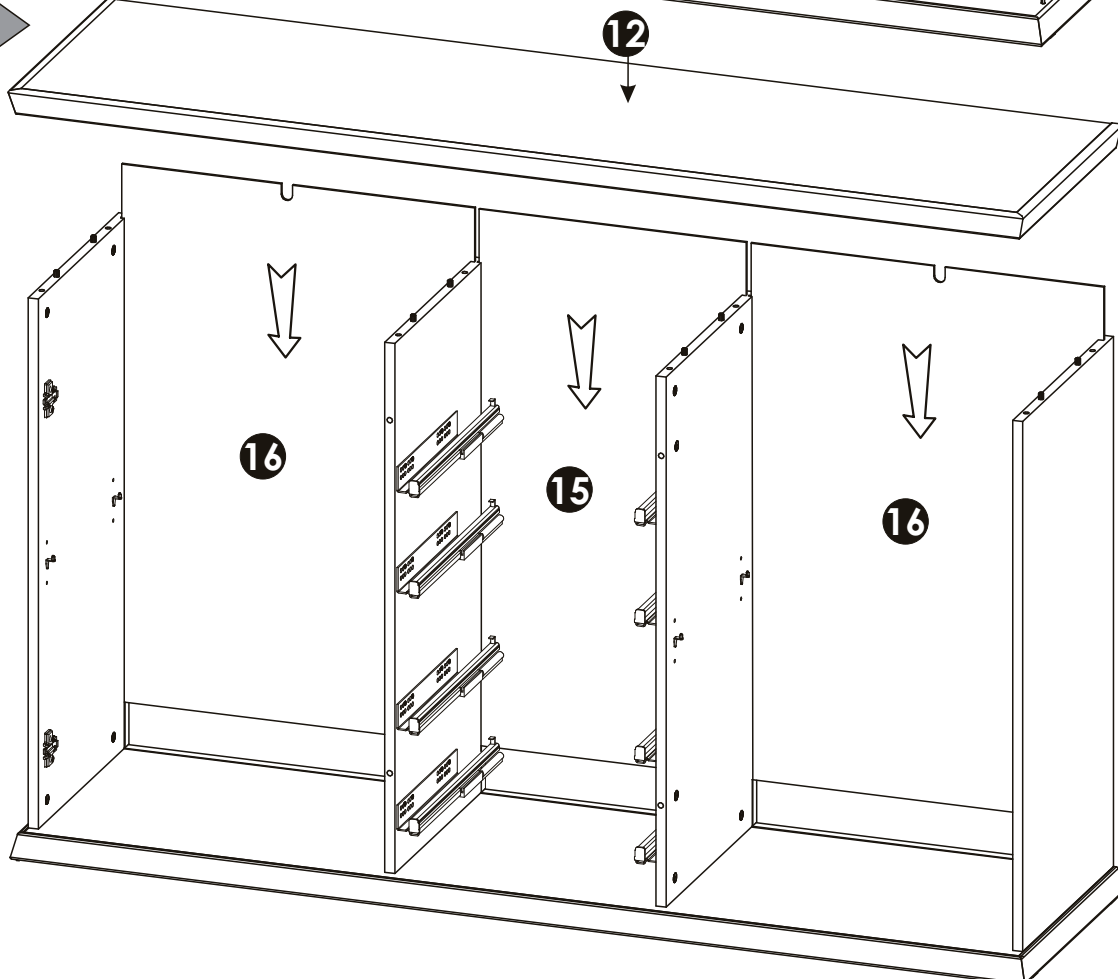


x2

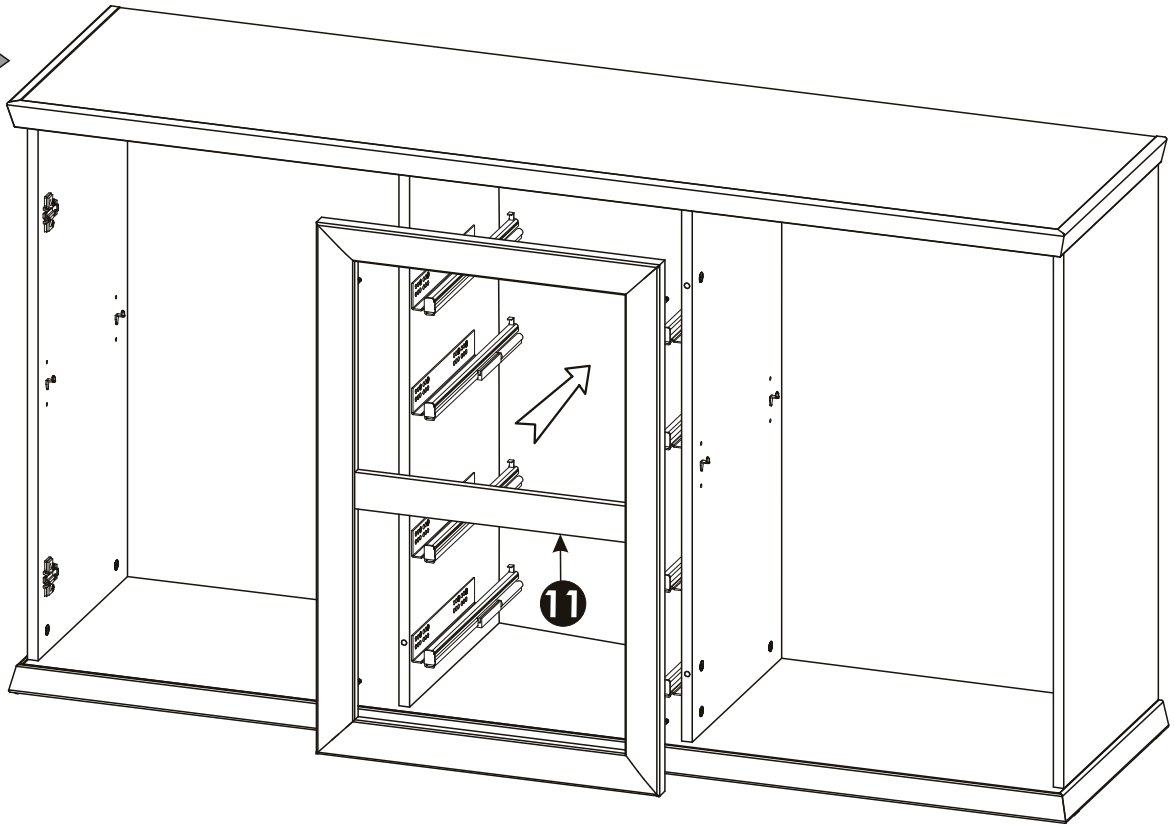
8 ▶




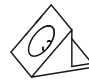
9 ▶

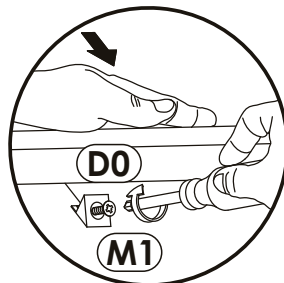
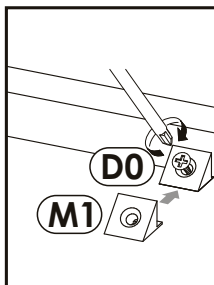
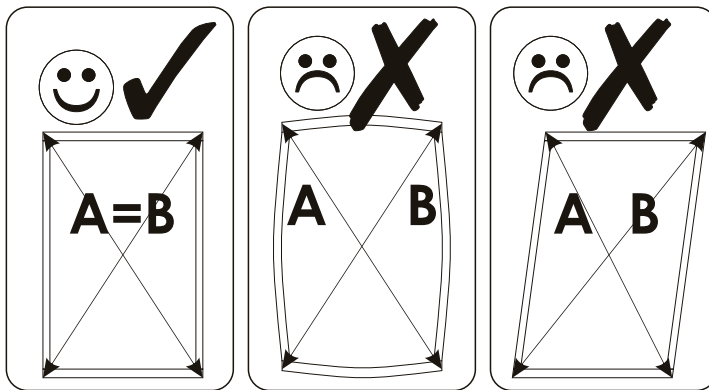


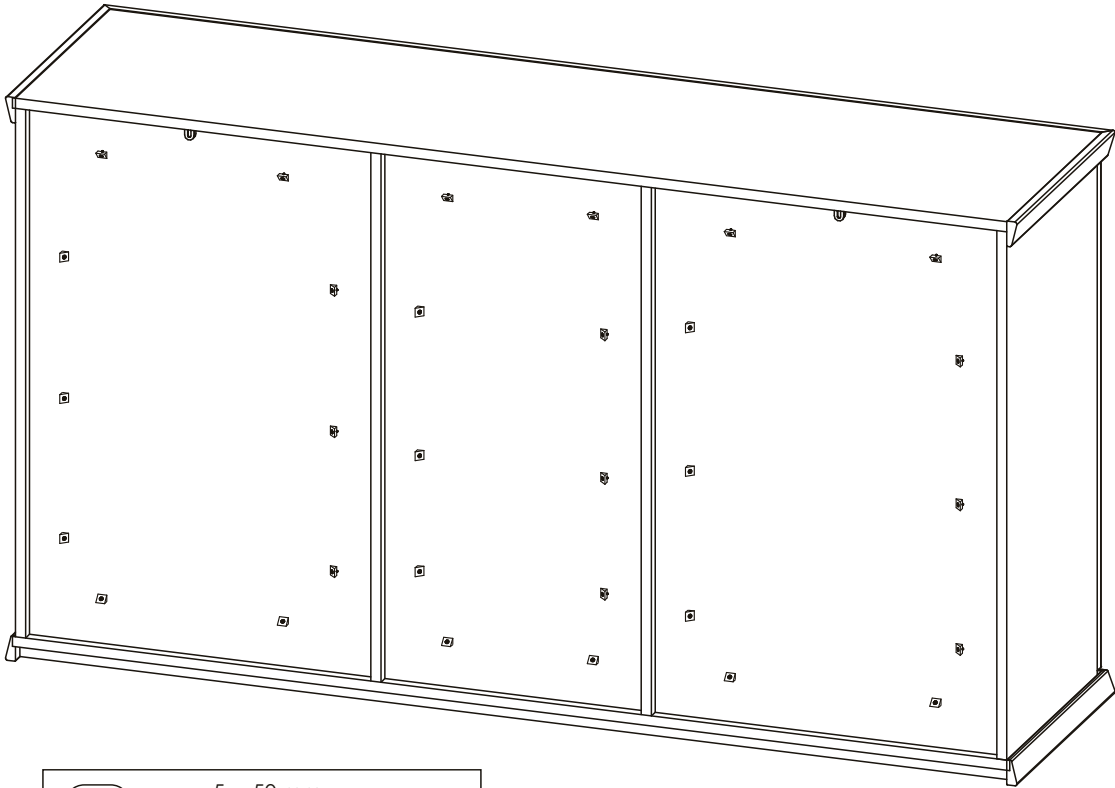
10 ▶



11 ▶

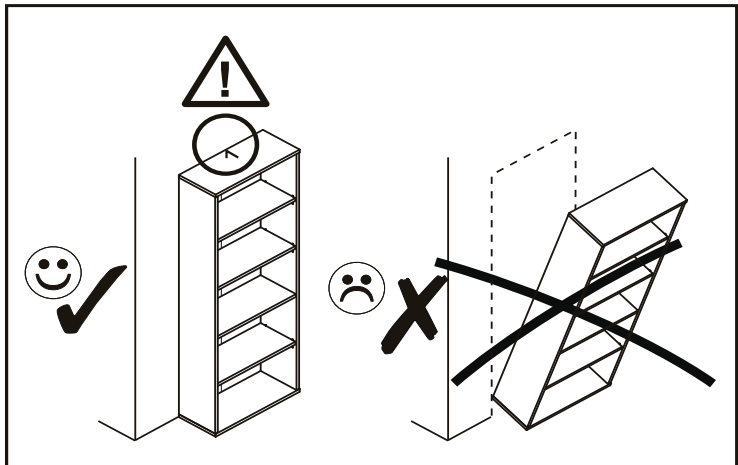
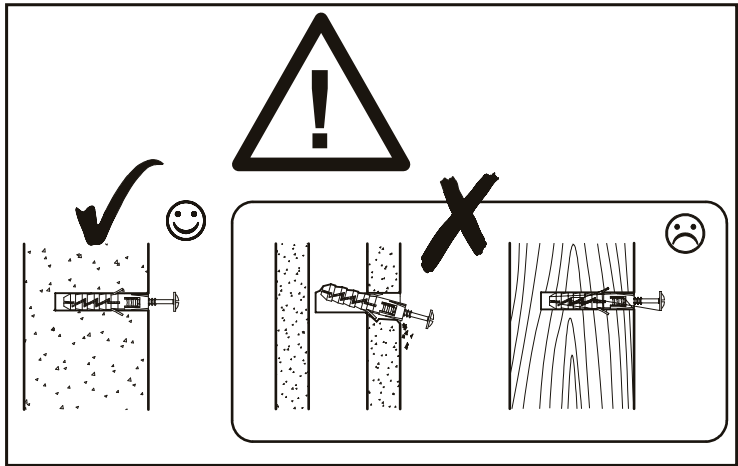
(D0) 3 x 15 mm x30	(M1) x30
	

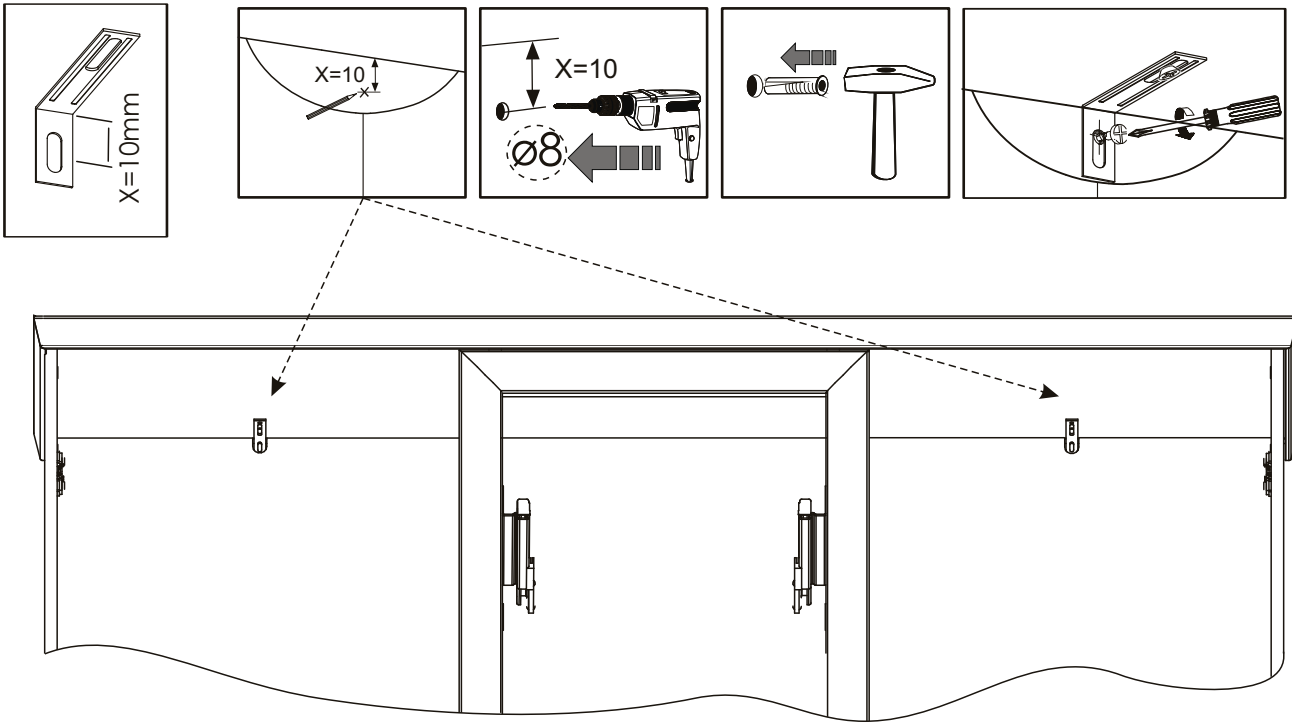




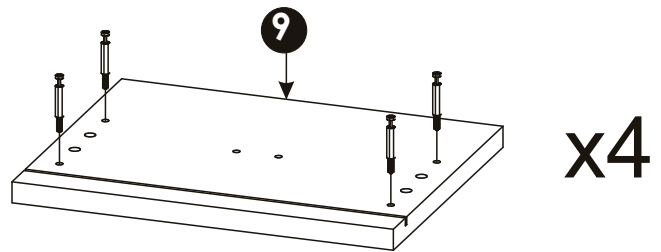
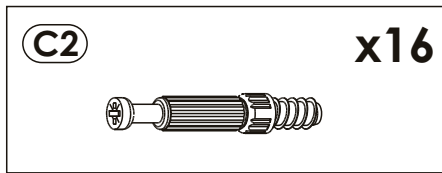
12▶

E0 5 x 50 mm **x2**
8 x 50 mm

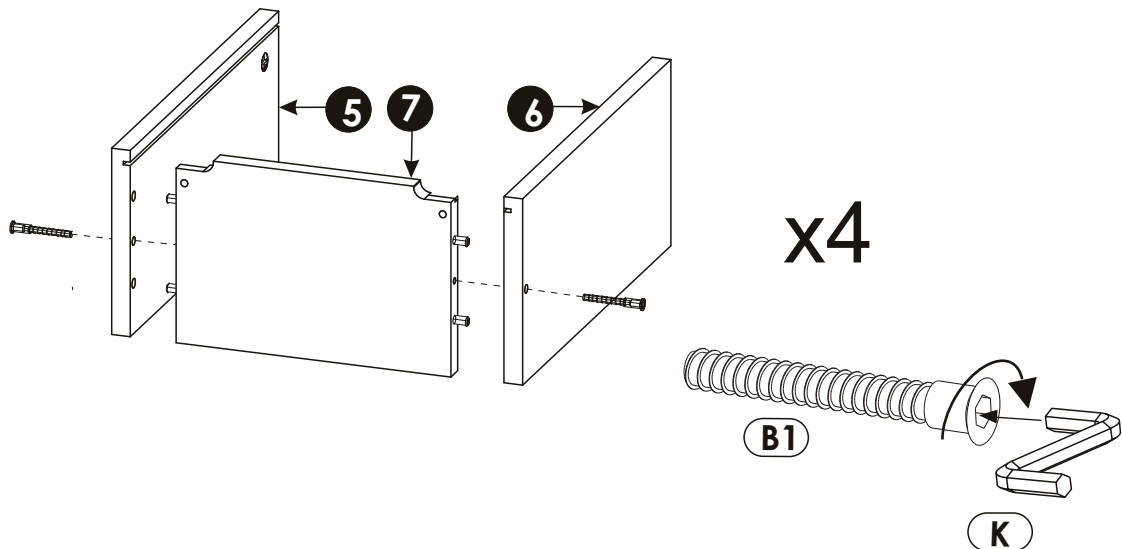
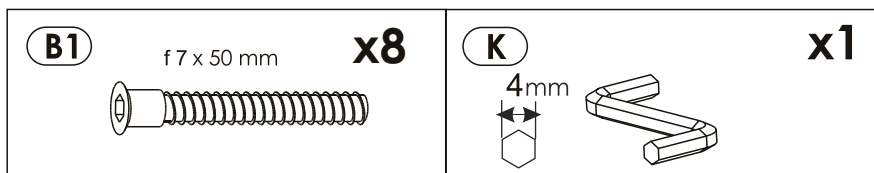




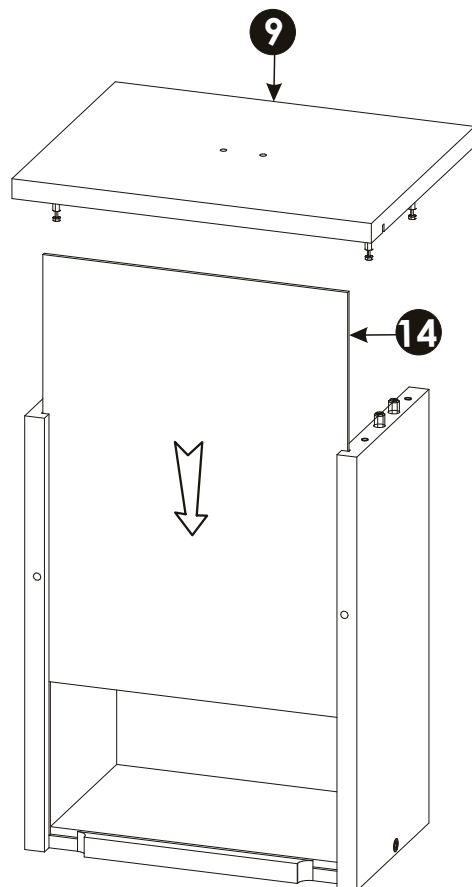
13 ▶



14 ▶

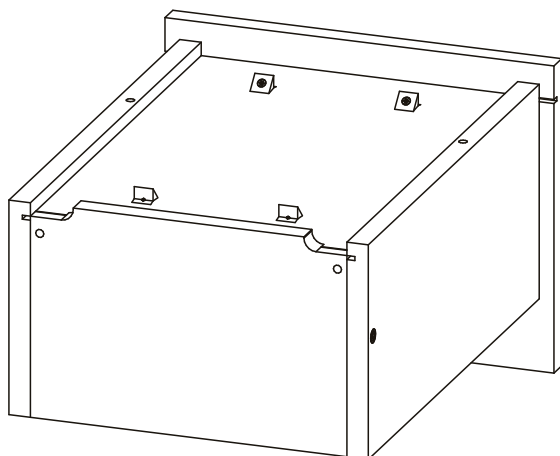
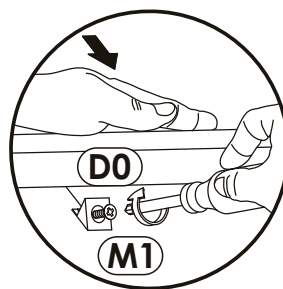
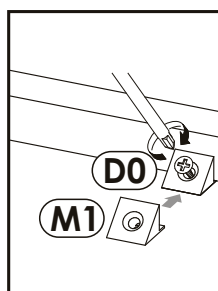
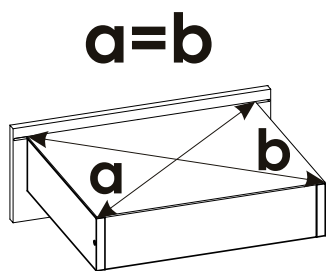
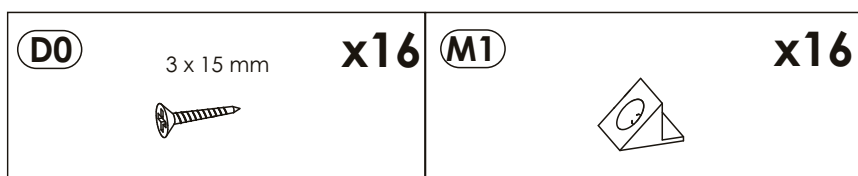


15 ▶



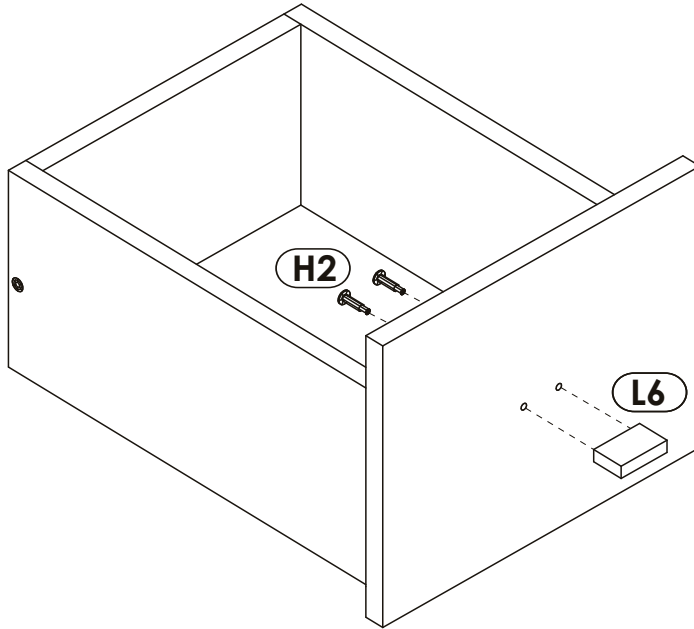
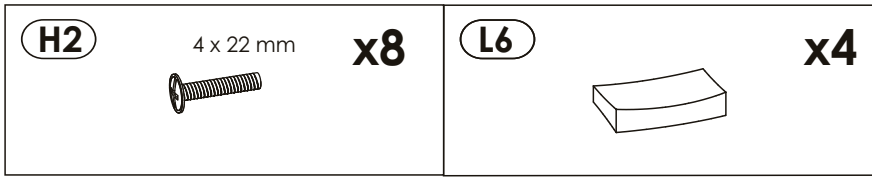
x4

16 ▶



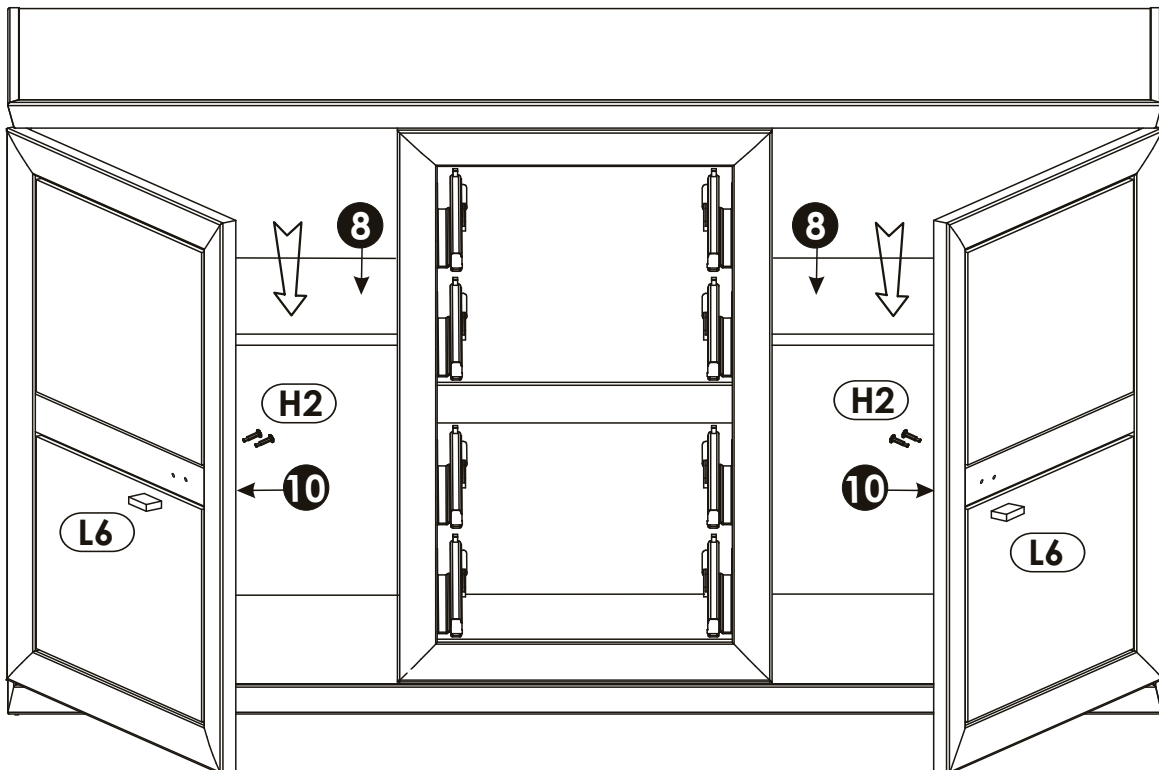
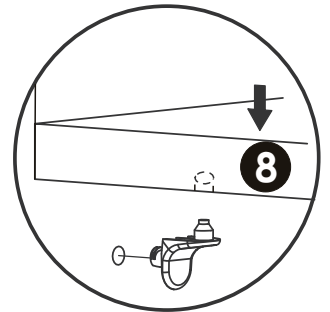
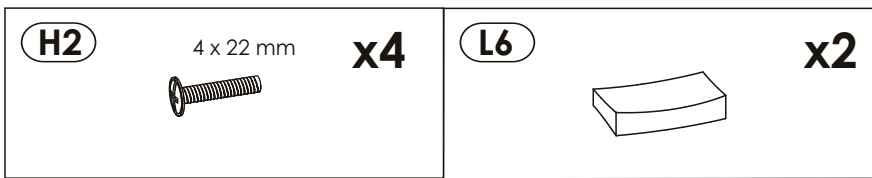
x4

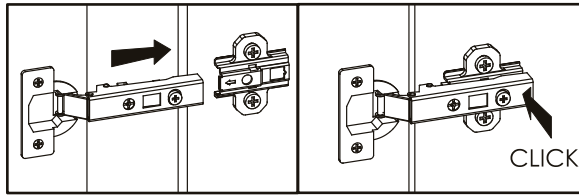
17 ▶



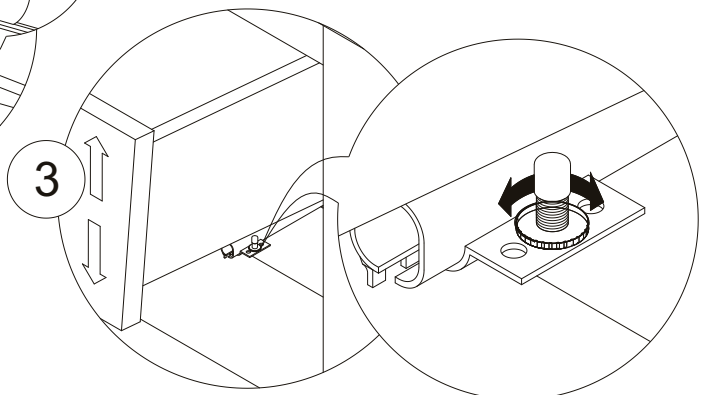
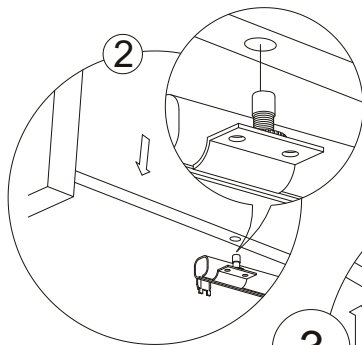
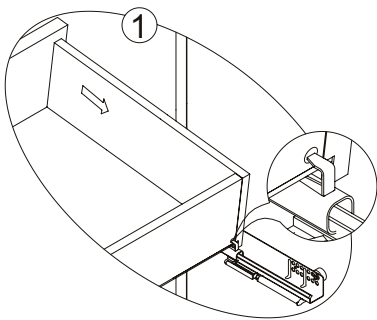
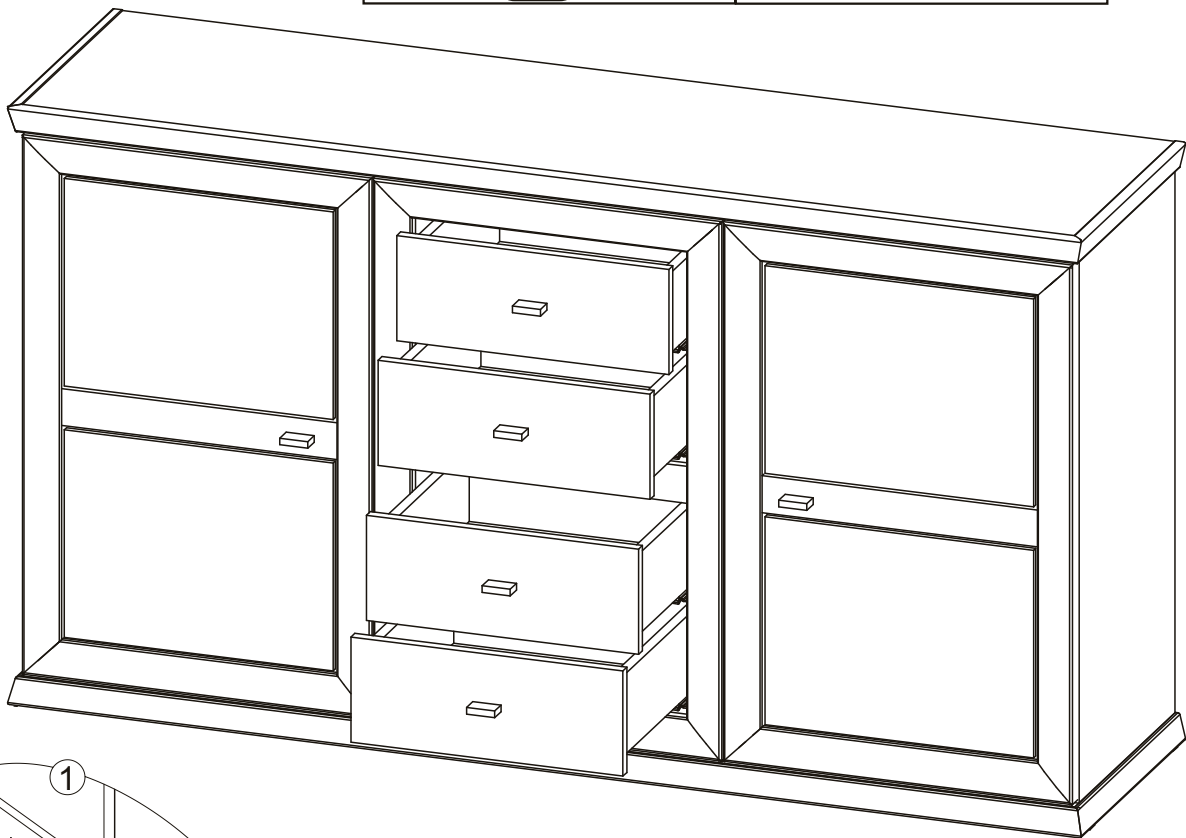
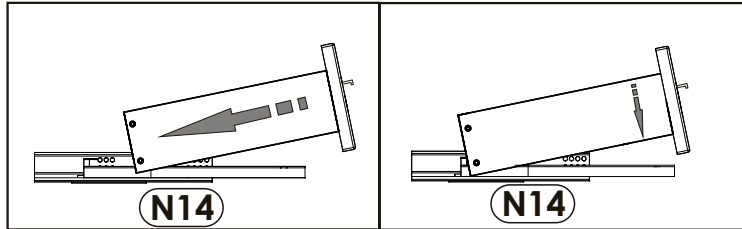
x4

18 ▶





19 ▶



20 ▶

