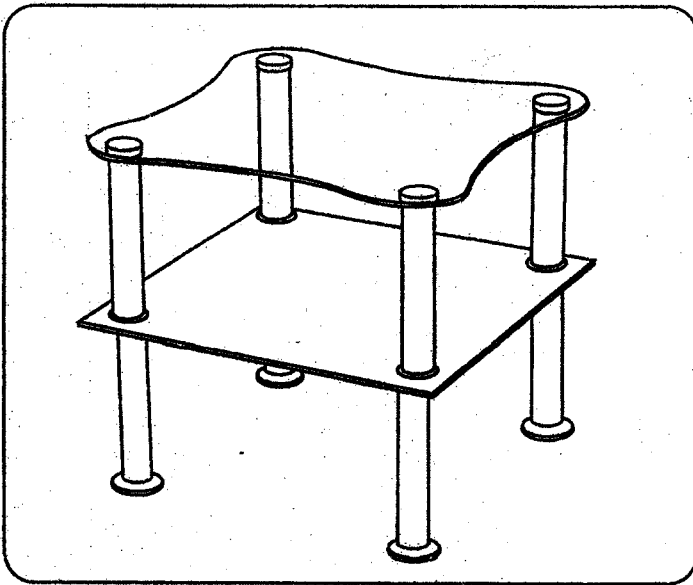
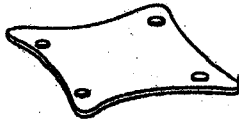



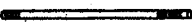



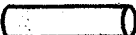


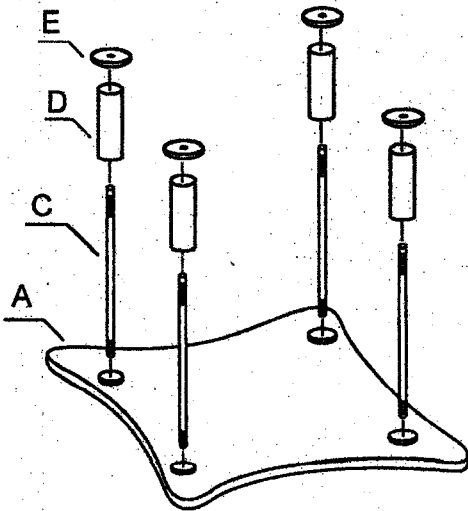
Model NO:33510

PO# 5745

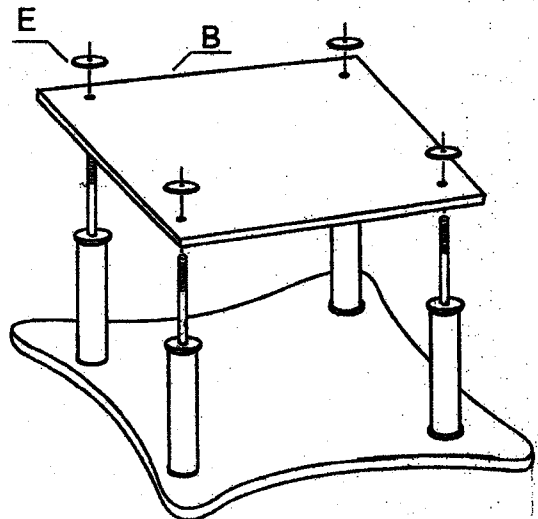


A (40x40cm) x1 	E (φ38) x8 
B (35x35cm) x1 	F (φ38) x4 metal feet 
C (M8x45cm) x4 	G (φ38) x4 plastic feet 
D (φ38x25cm) x4 	H (M8) x4 
	I (φ38x18.5cm) x4 

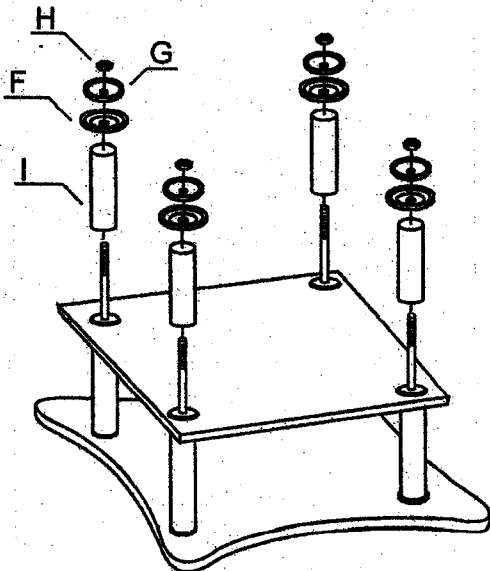
step 1



step 2



step 3



step 4

