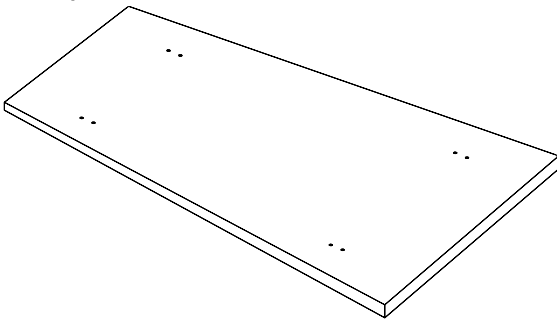


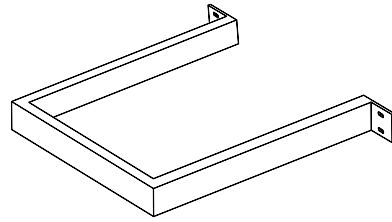
ASSEMBLY INSTRUCTION

69814-160

(A) Table-Top x 1

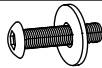


(B) LEG x 2



HARDWARE LIST:

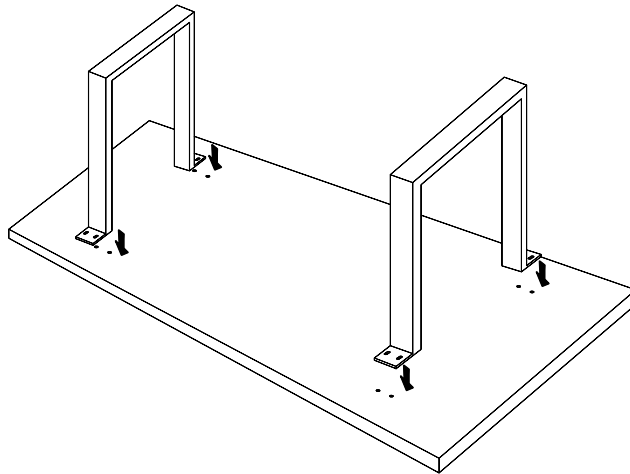
(D) Allen-Bolt x 8
Flat Washer x 8



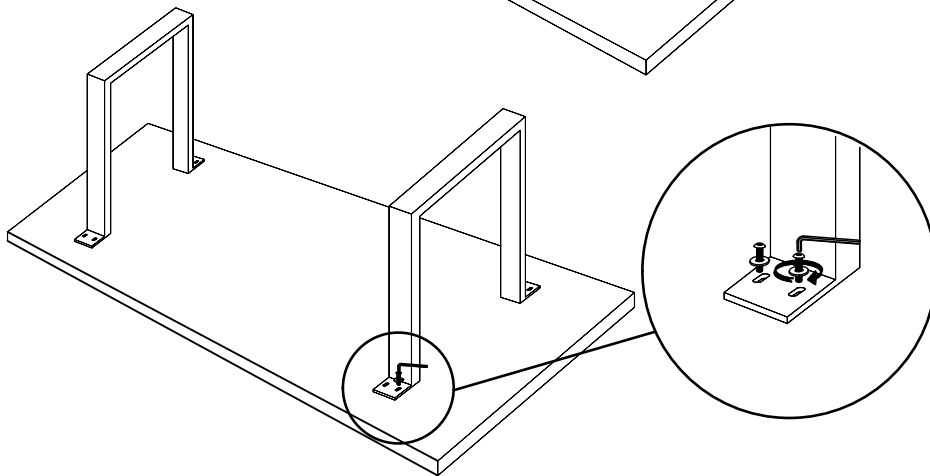
(E) Allen-Key x 1



STEP-1



STEP-2



STEP-3



PRODUCT IS READY TO USE