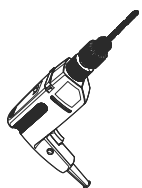
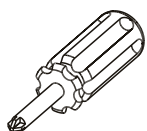
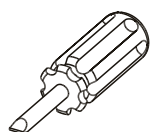
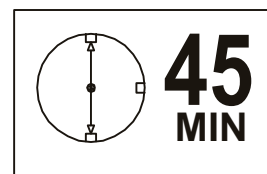
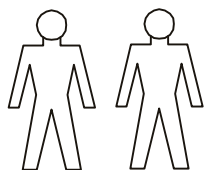
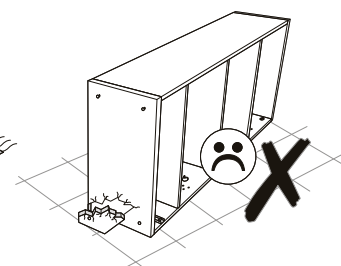
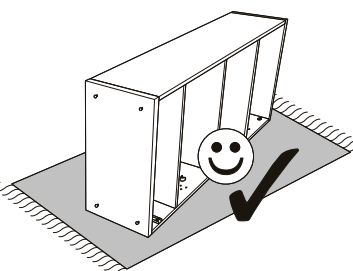
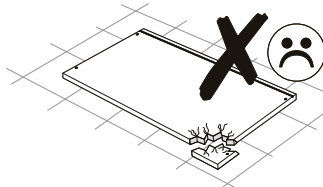
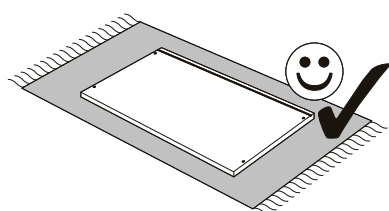
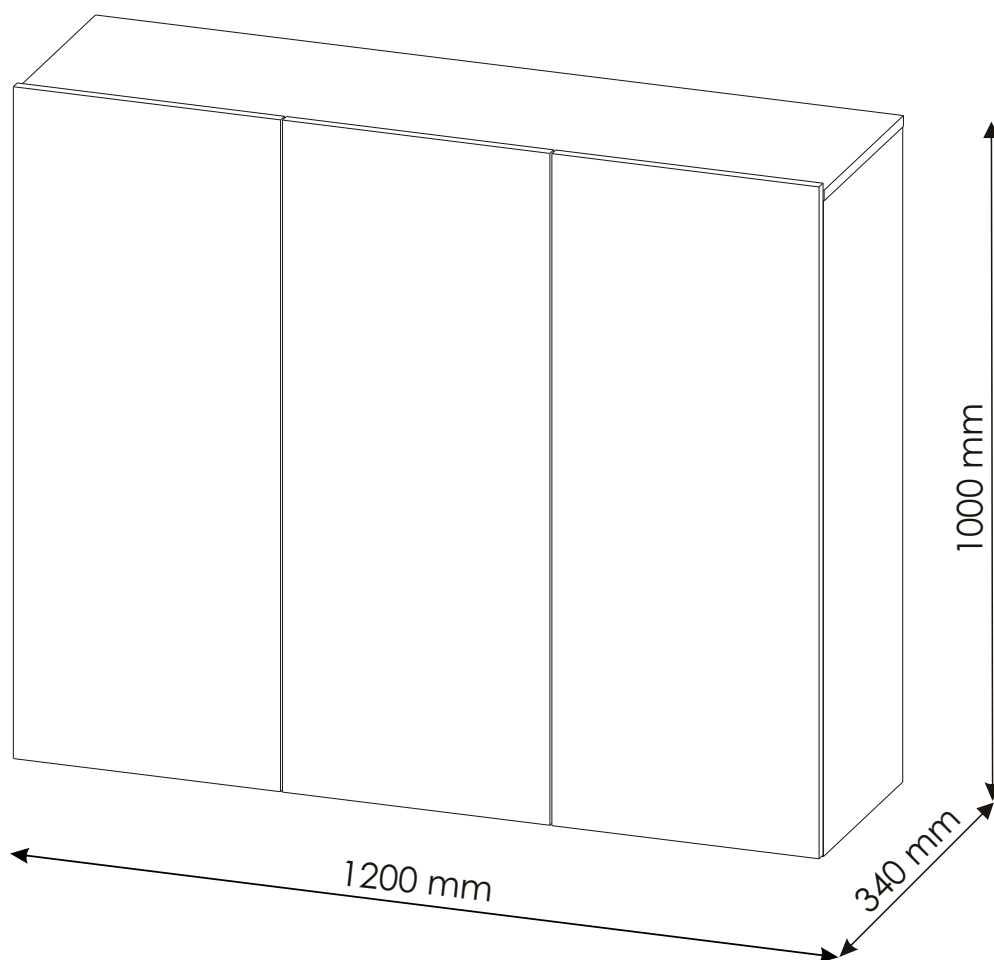








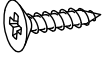

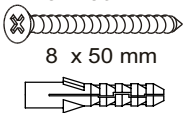
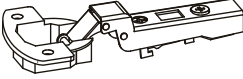
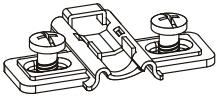
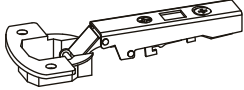
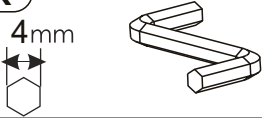
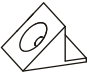
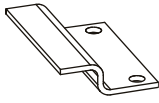
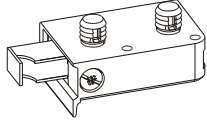
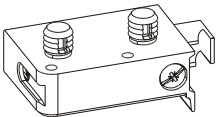
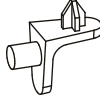
NEWNIQ Schuhschrank

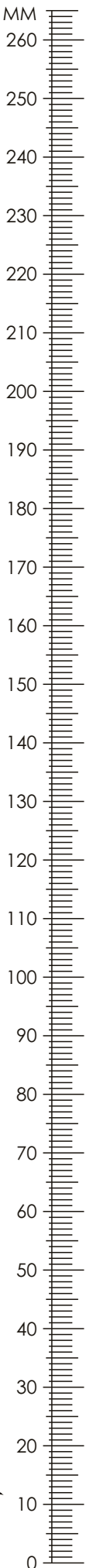
00030090/11
00030090/21
00030090/31
00030090/41



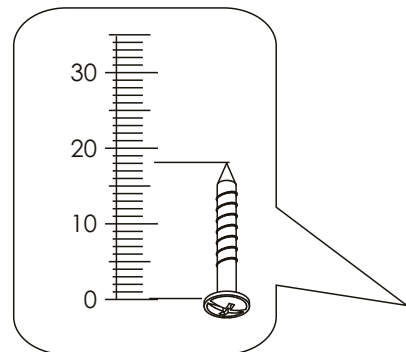
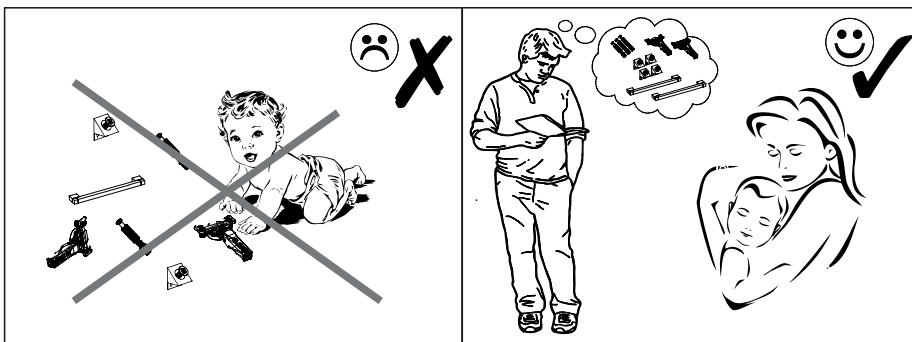
Ø8




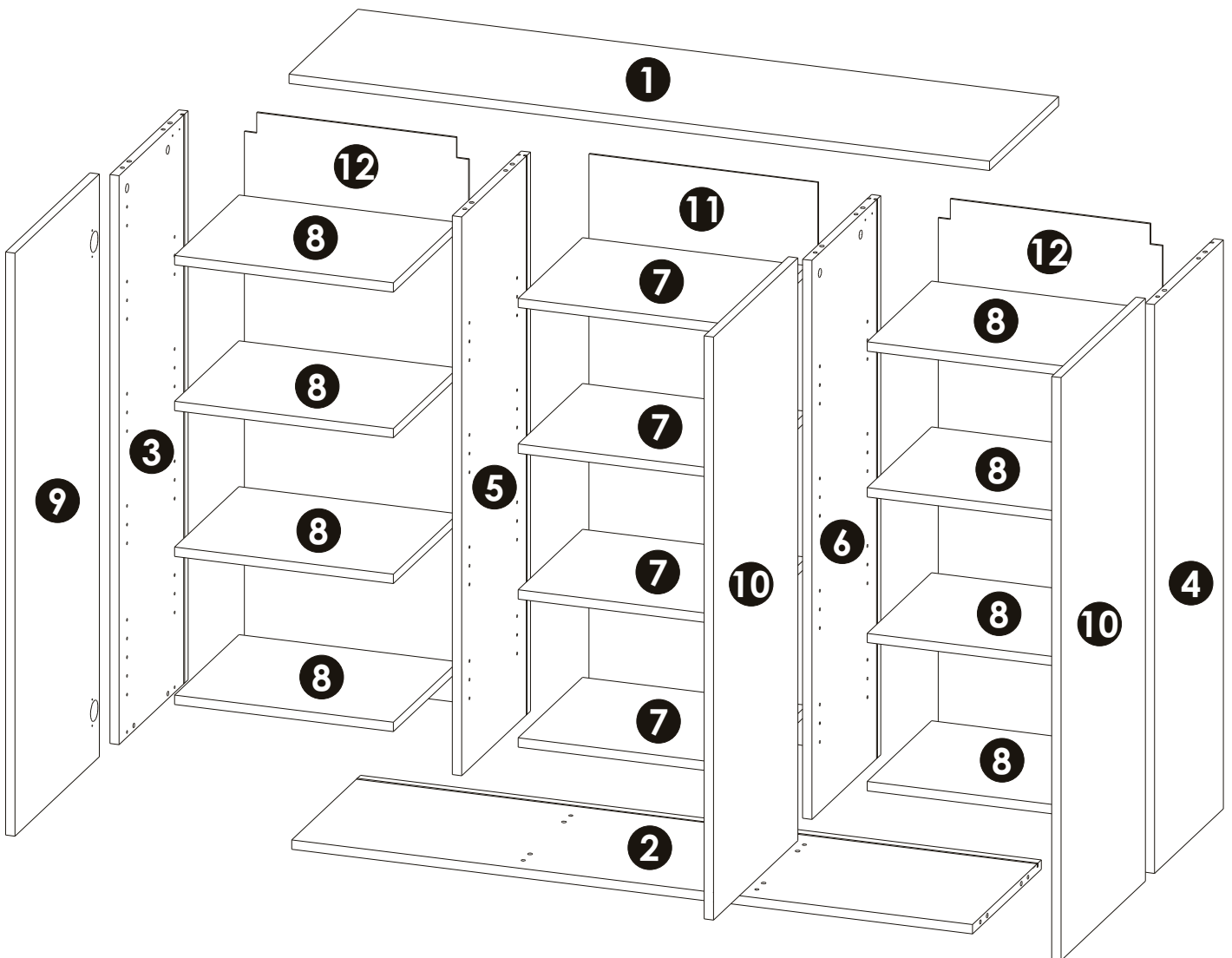
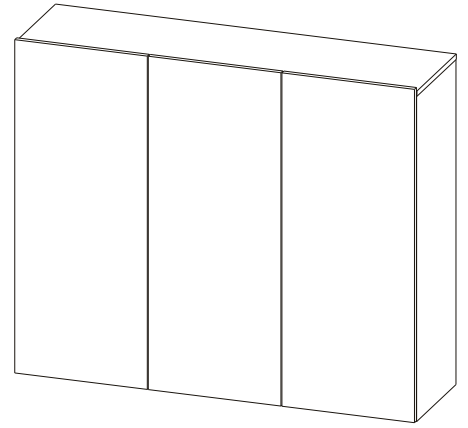
A0 8 x 30mm x16 	B1 f 7 x 50 mm x4 	C0  x8
C2  x12	C7 16mm  x12	D0 3 x 15 mm  x24
D10 4 x 16 mm  x12	D13 4 x 30 mm  x8	E0 5 x 50 mm 8 x 50 mm  x8
J1  x2	J3  x6	J10  x4
K 4mm  x1	M1  x24	P5  x4
P43  x2	P44  x2	Q3  x48

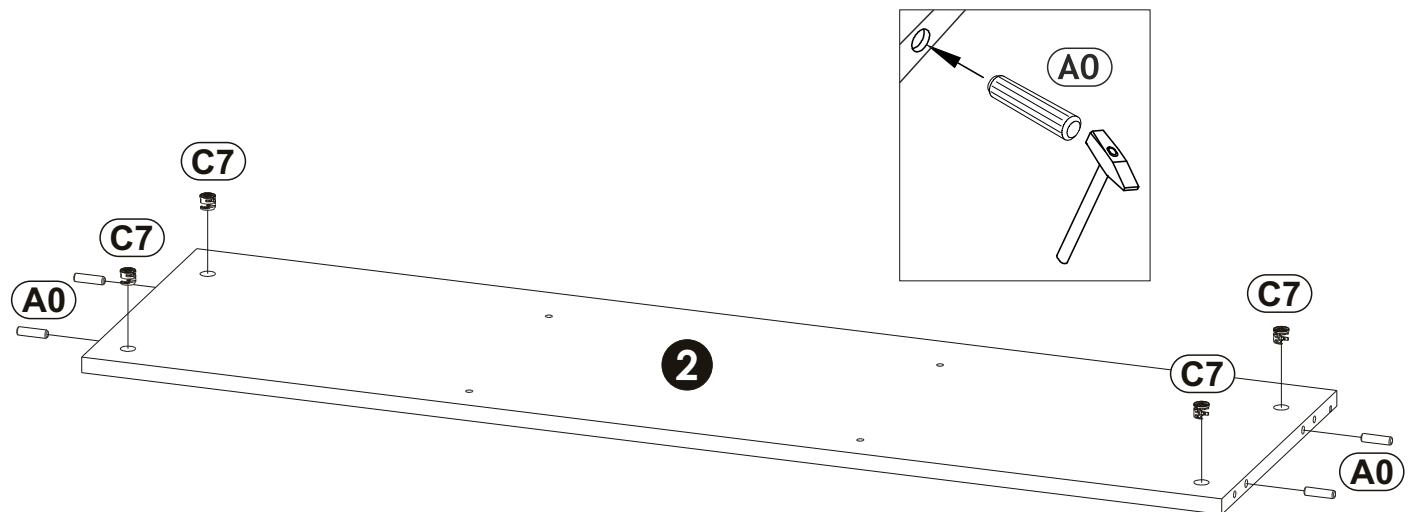
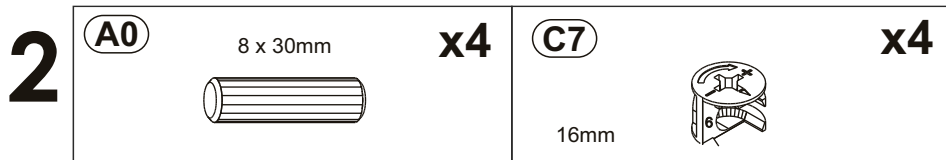
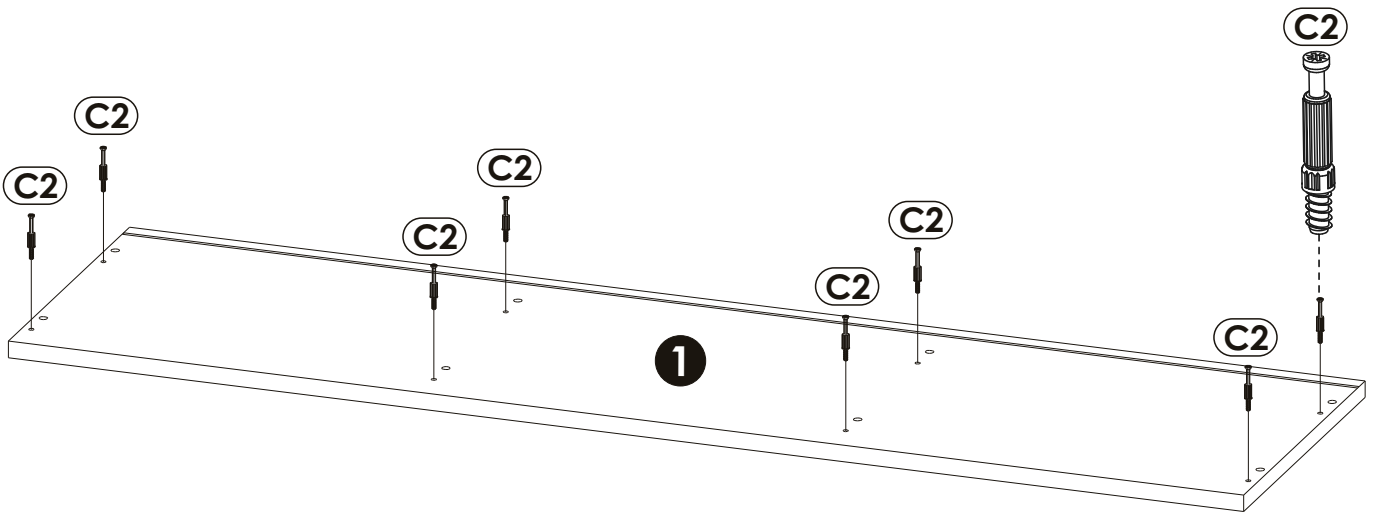
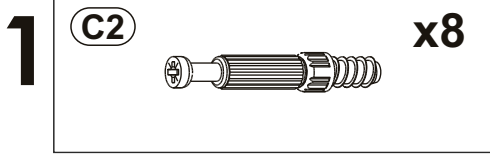
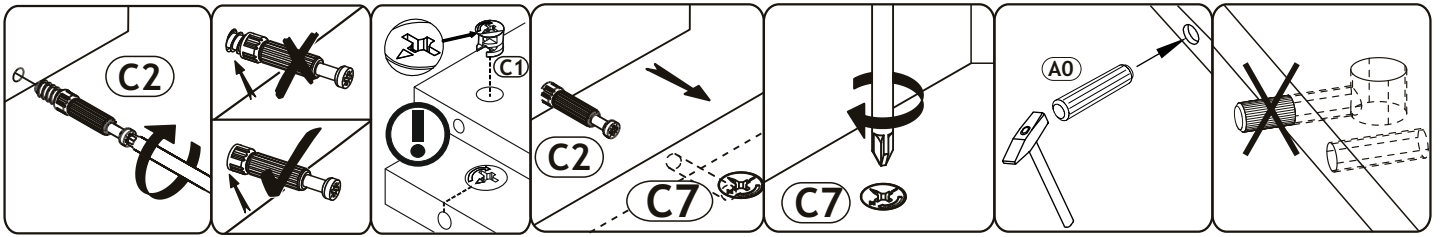




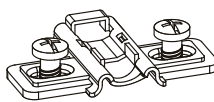
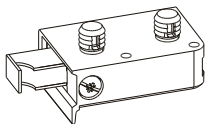
00030090/31
00030090/41

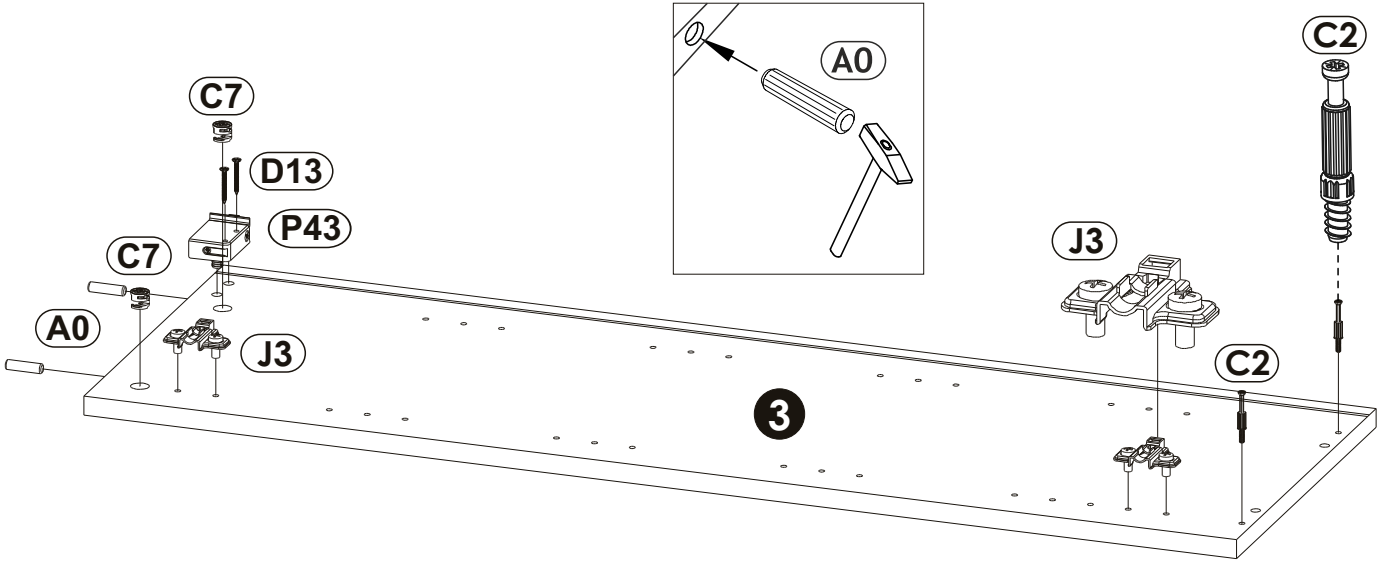




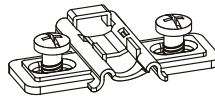
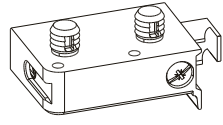
1	1200	324	16	x1	1/2
2	1166	324	16	x1	1/2
3	974	324	16	x1	1/2
4	974	324	16	x1	1/2
5	957	324	16	x1	1/2
6	957	324	16	x1	1/2
7	384	300	16	x4	2/2
8	375	300	16	x8	2/2
9	998	397	16	x1	2/2
10	998	397	16	x2	2/2
11	967	392	3	x1	2/2
12	967	384	3	x2	2/2
					1/2

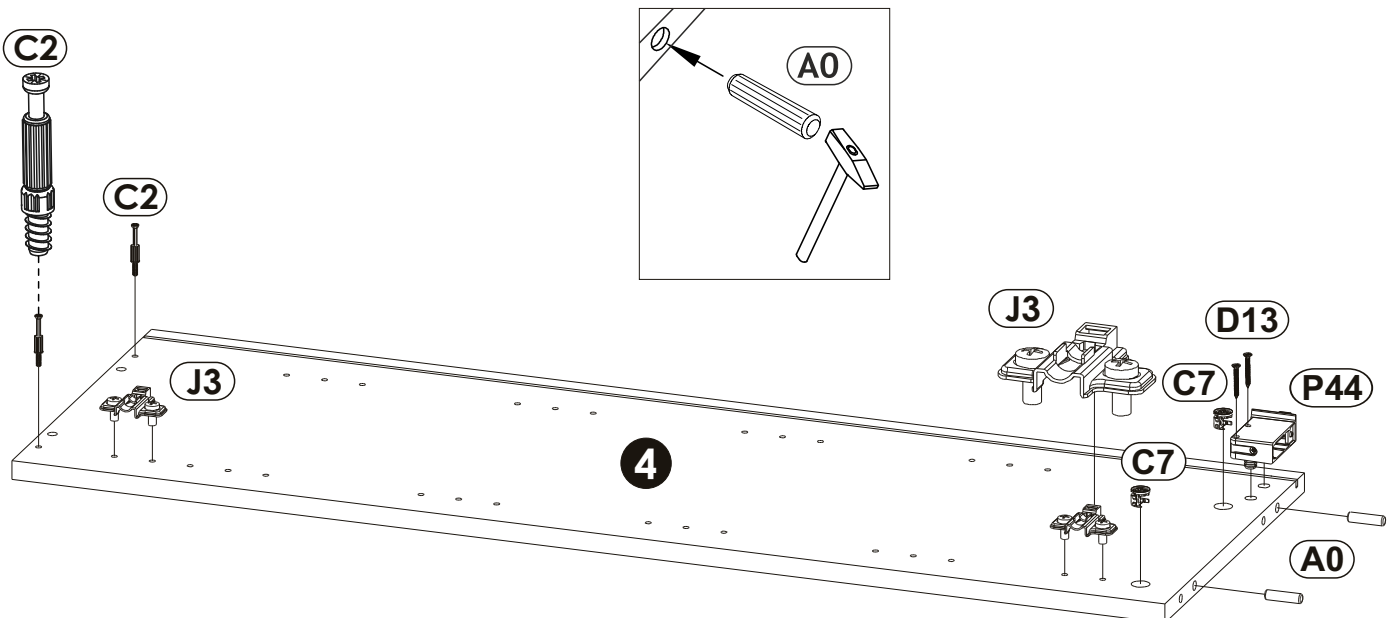







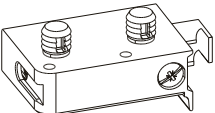
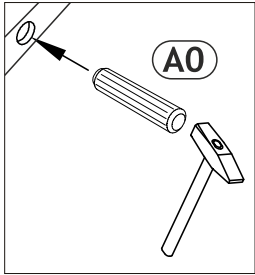
3	A0	8 x 30mm	x2	C2		x2	C7	16mm		x2
	D13	4 x 30 mm	x2	J3		x2	P43		x1	

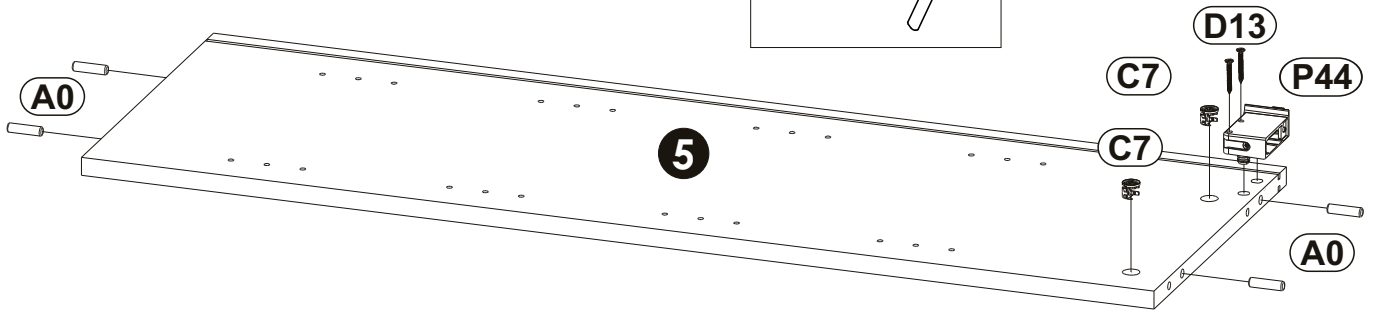


4	A0	8 x 30mm	x2	C2		x2	C7	16mm		x2
	D13	4 x 30 mm	x2	J3		x2	P44		x1	




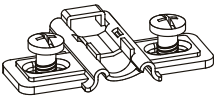
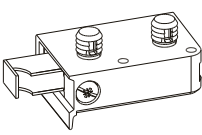
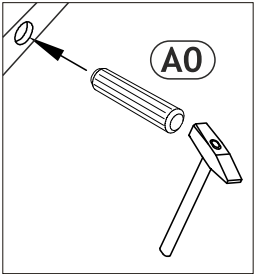


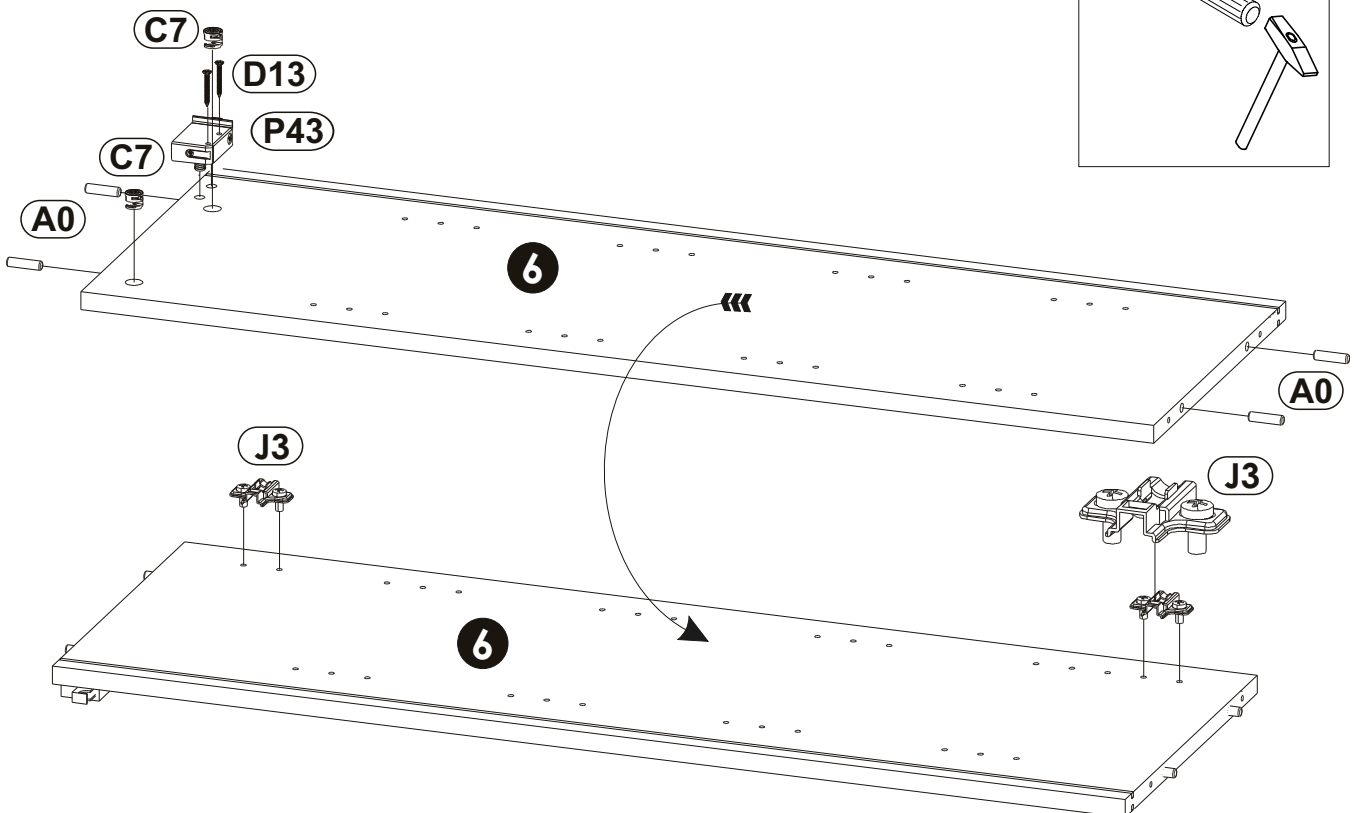
5

A0 8 x 30mm 	x4	C7 16mm 	x2	D13 4 x 30 mm 	x2
P44 	x1				

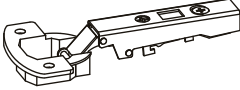
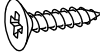


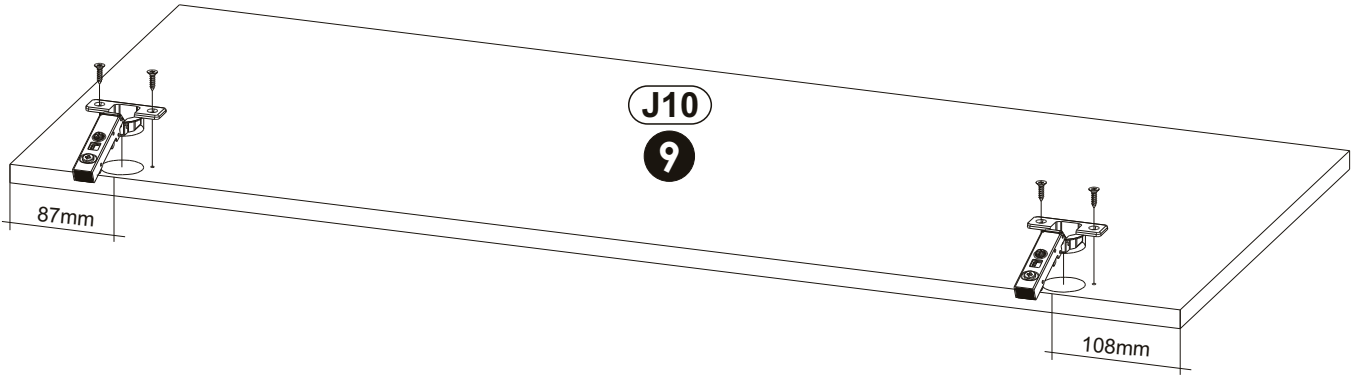
6

A0 8 x 30mm 	x4	C7 16mm 	x2	D13 4 x 30 mm 	x2
J3 	x2	P43 	x1		

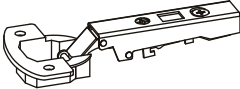
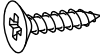


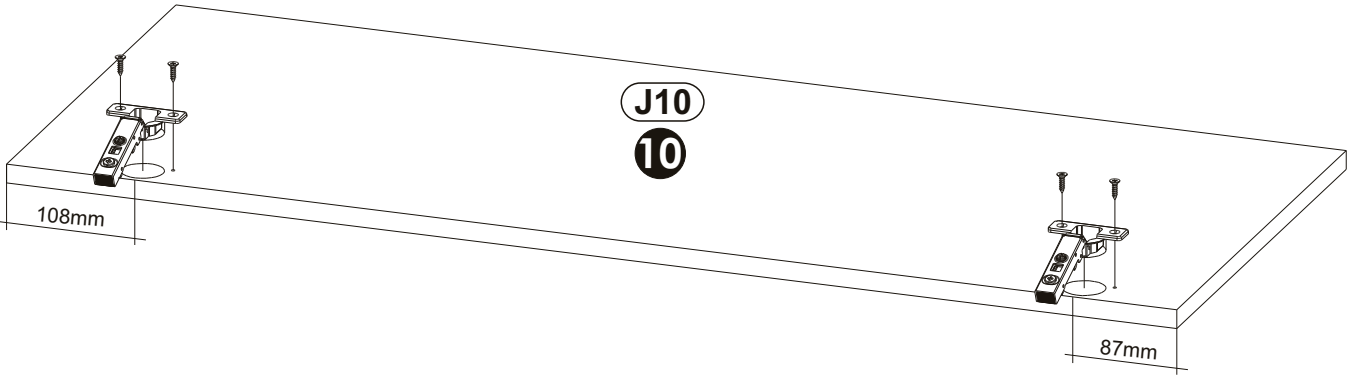
7

D10	4 x 16 mm	x4	J10		x2
					

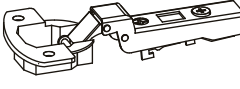
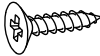


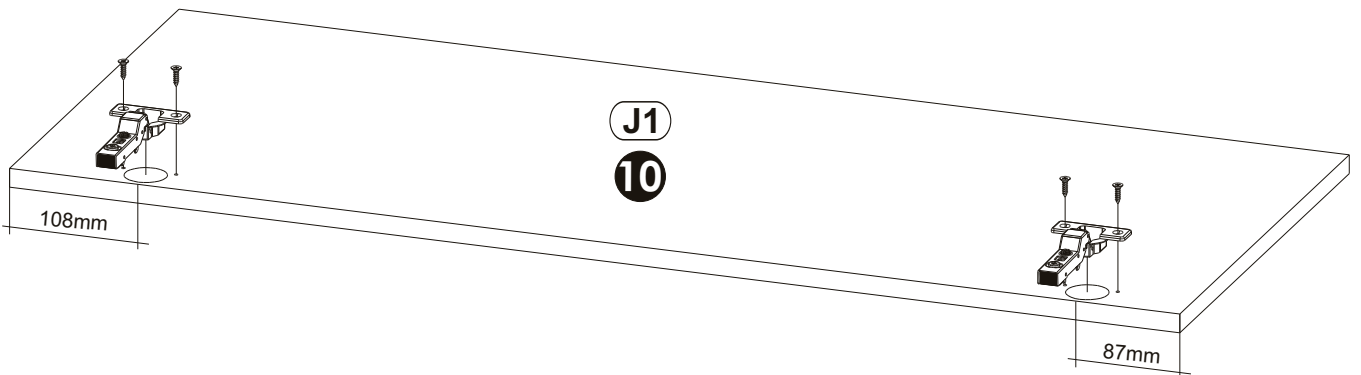
8

D10	4 x 16 mm	x4	J10		x2
					

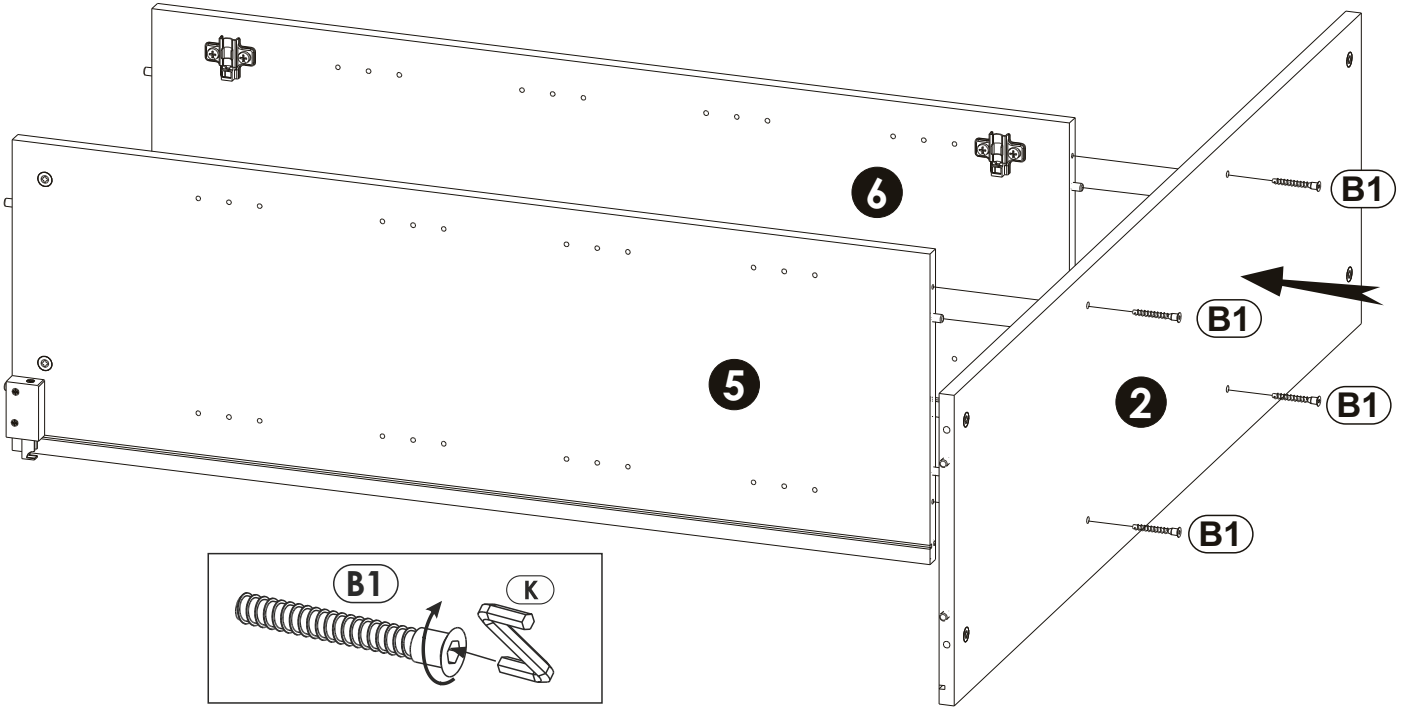
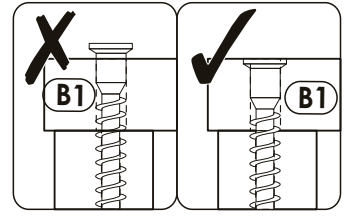
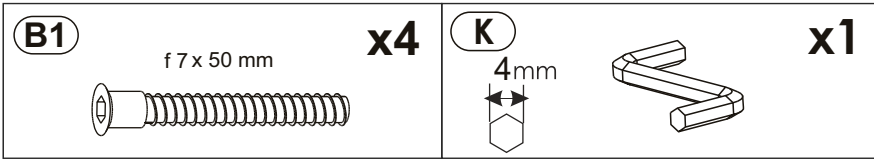


9

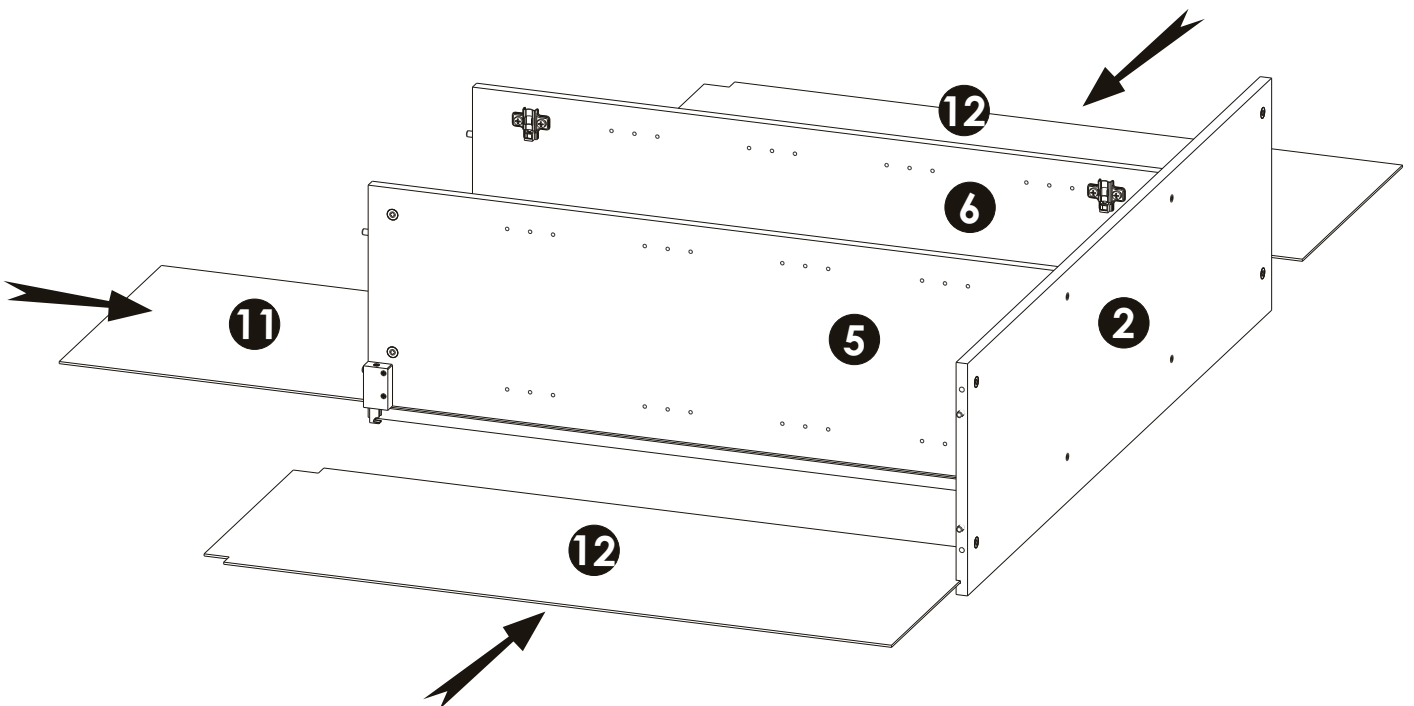
D10	4 x 16 mm	x4	J1		x2
					



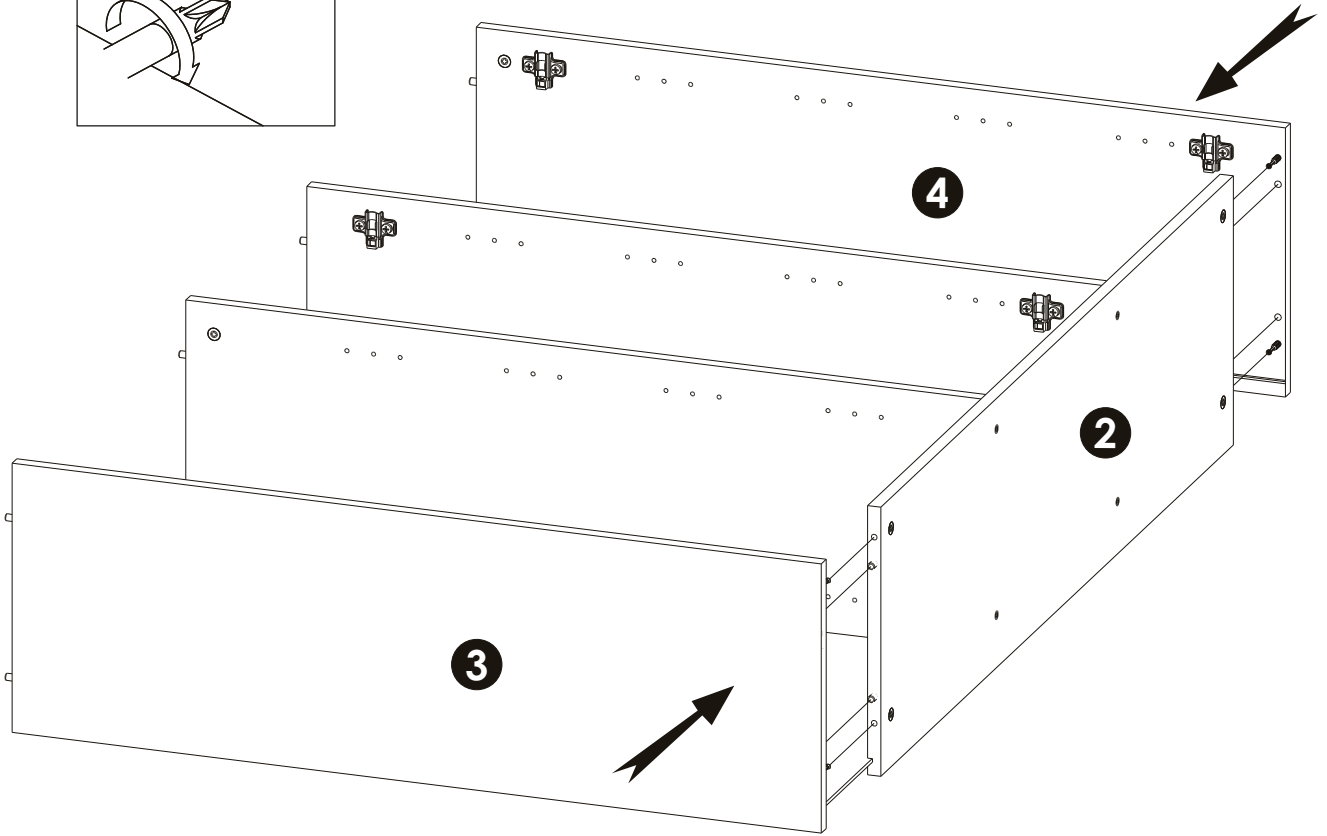
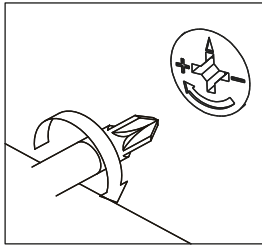
10



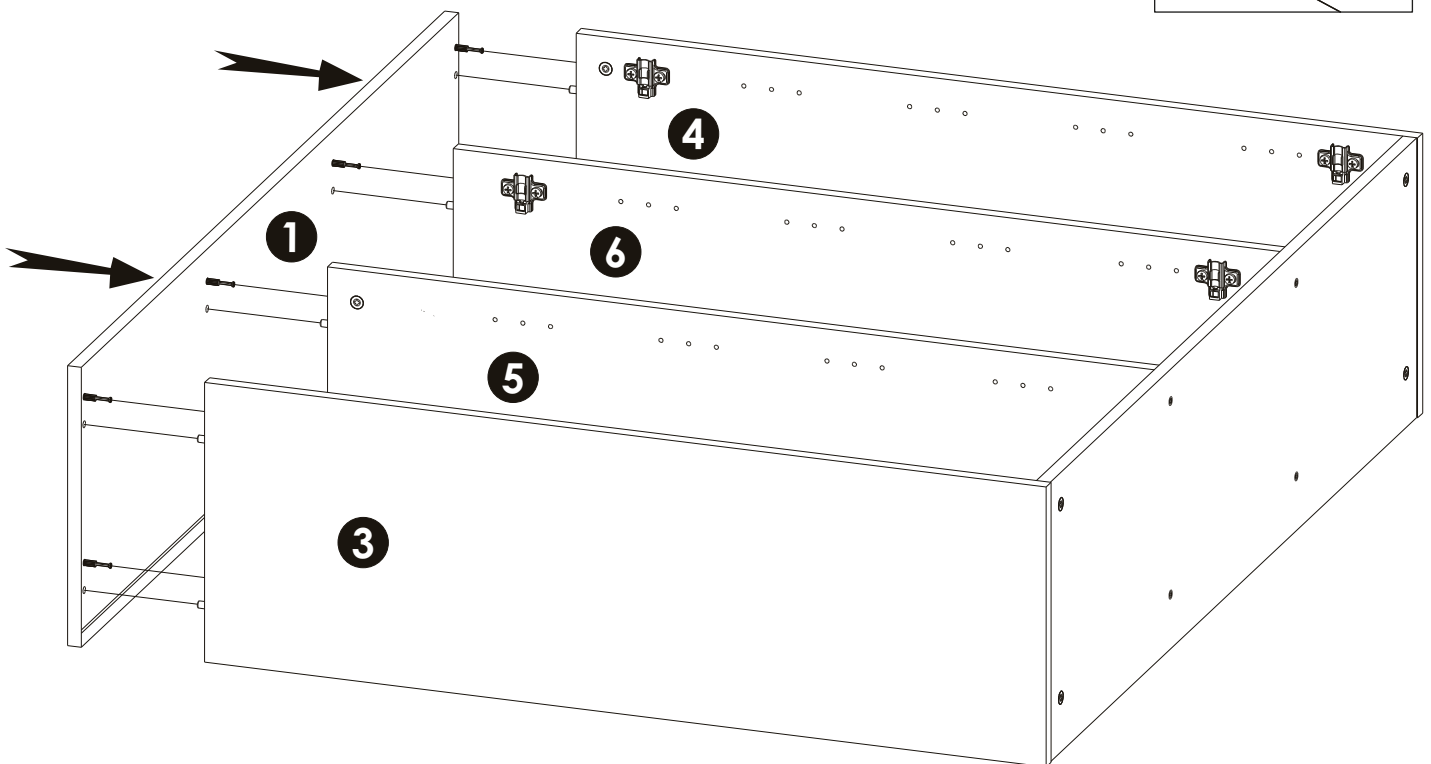
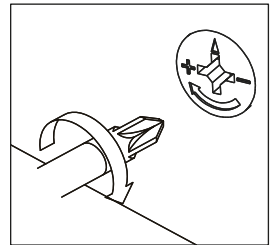
11




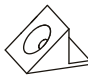
12

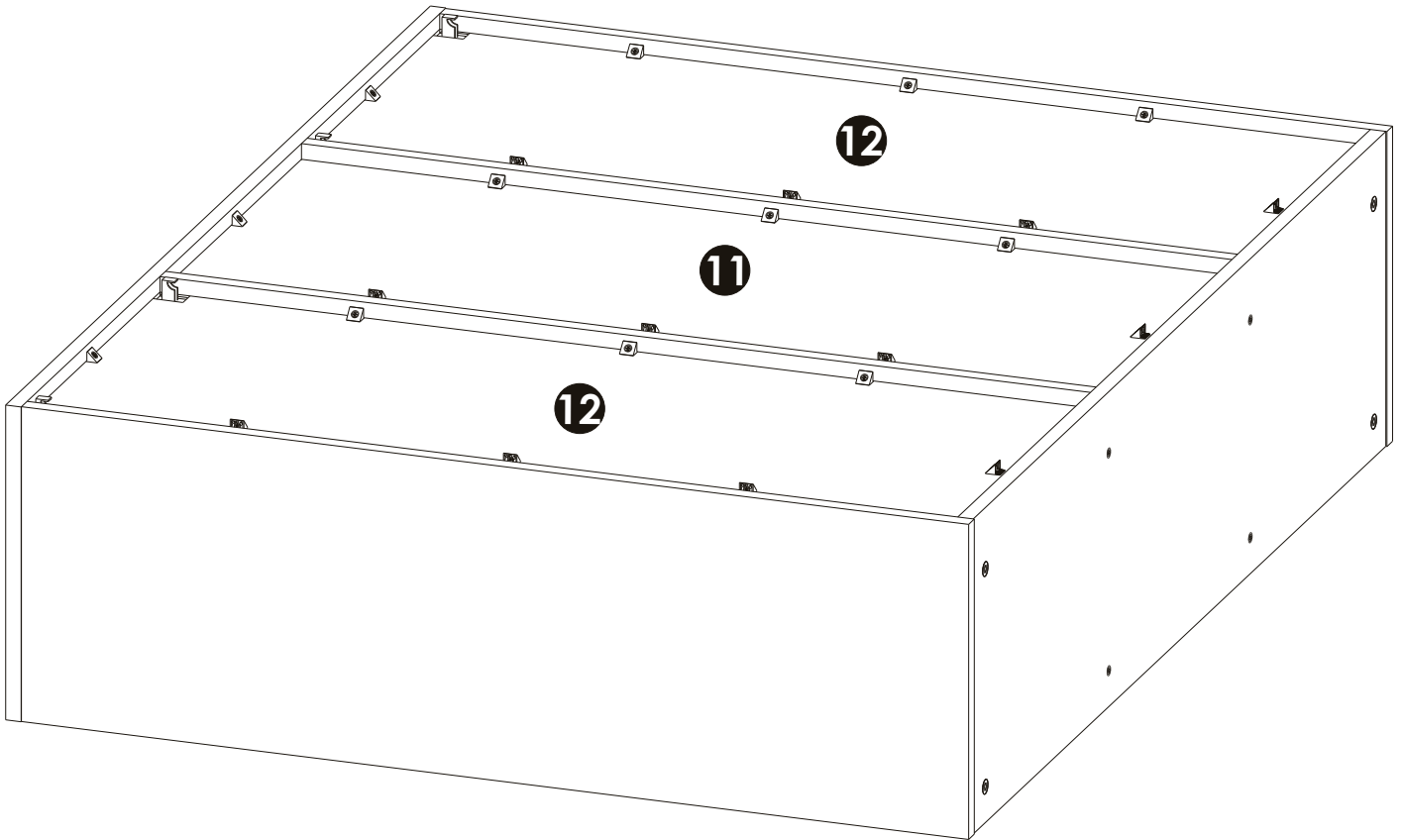
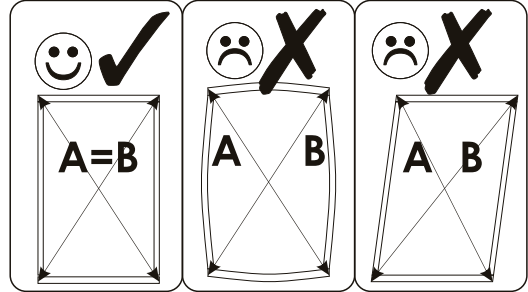
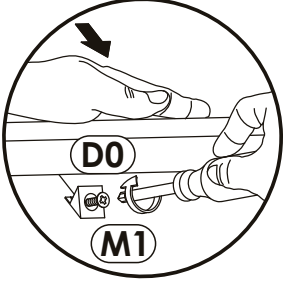


13

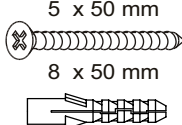
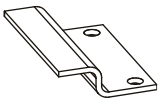


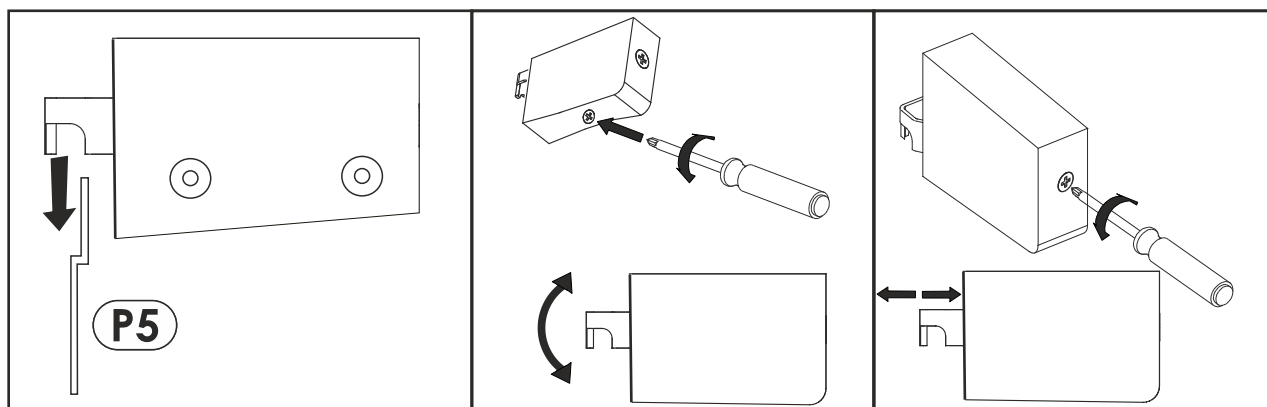
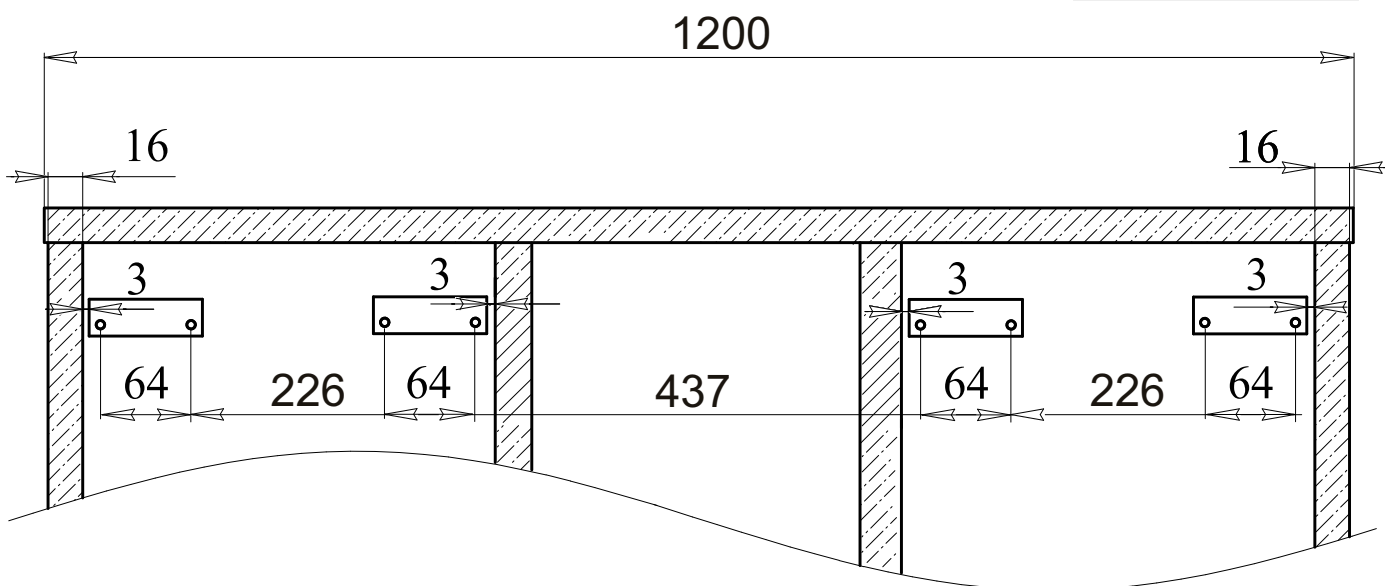
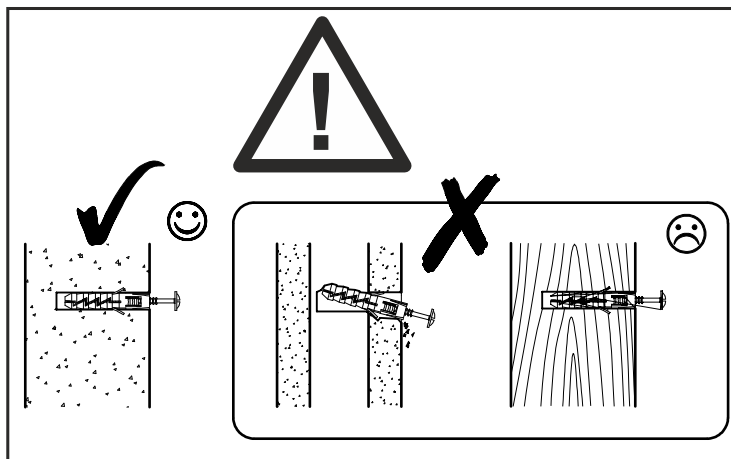
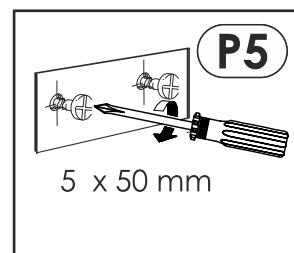
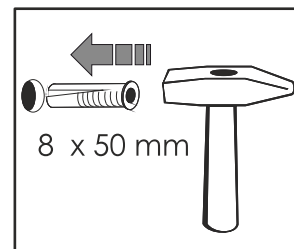
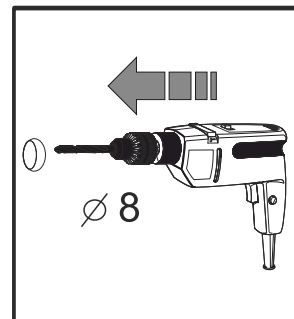
14

D0 3 x 15 mm 	x24	M1 	x24
---	------------	--	------------



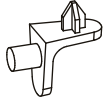
15

E0	5 x 50 mm 8 x 50 mm 	x8	P5		x4
-----------	---	-----------	-----------	---	-----------



16

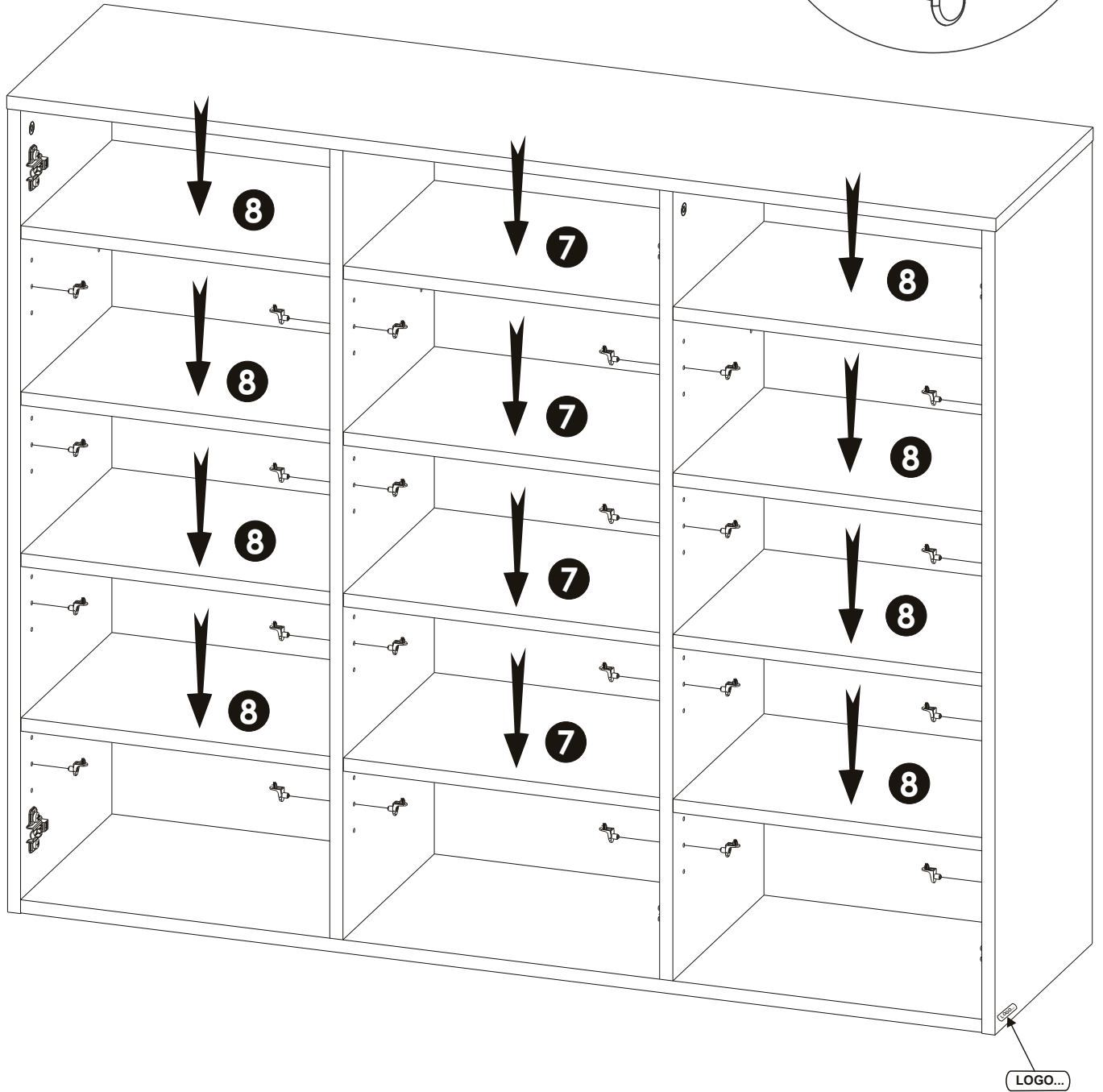
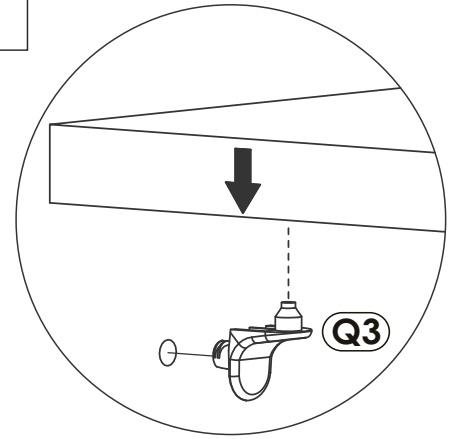
Q3



x48

LOGO...

x1



17

C0



x8

