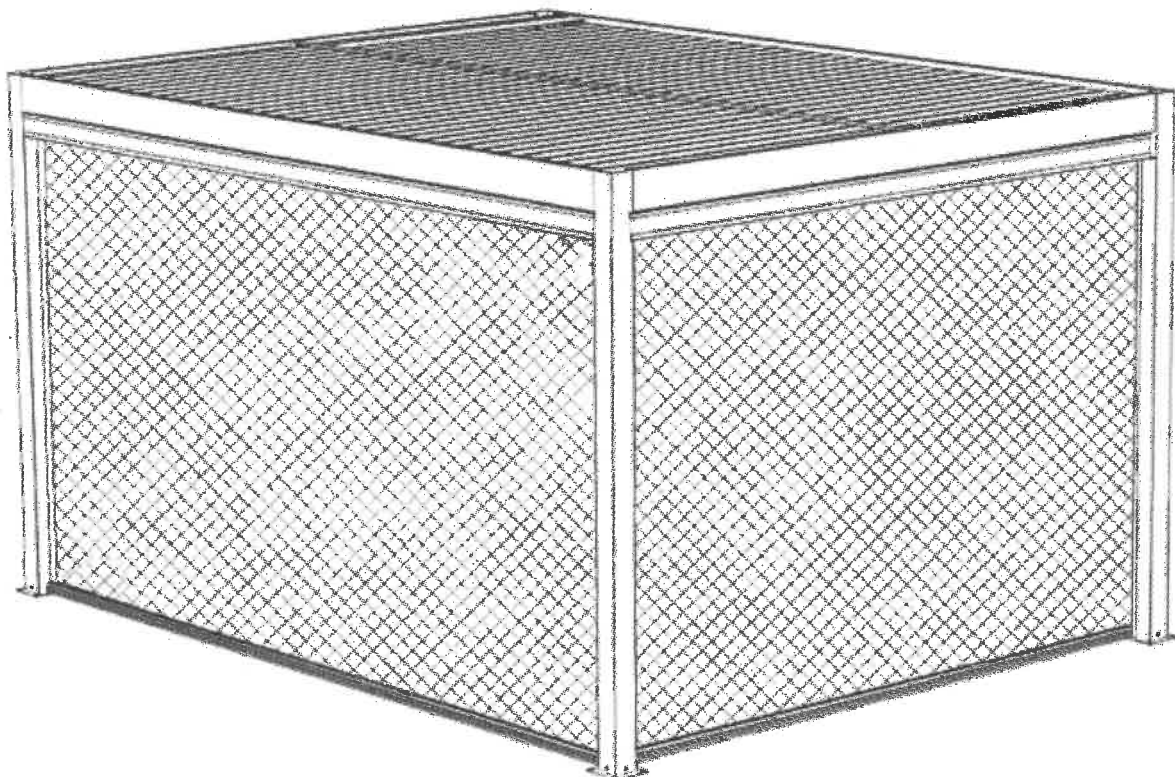
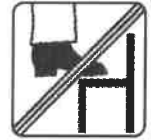
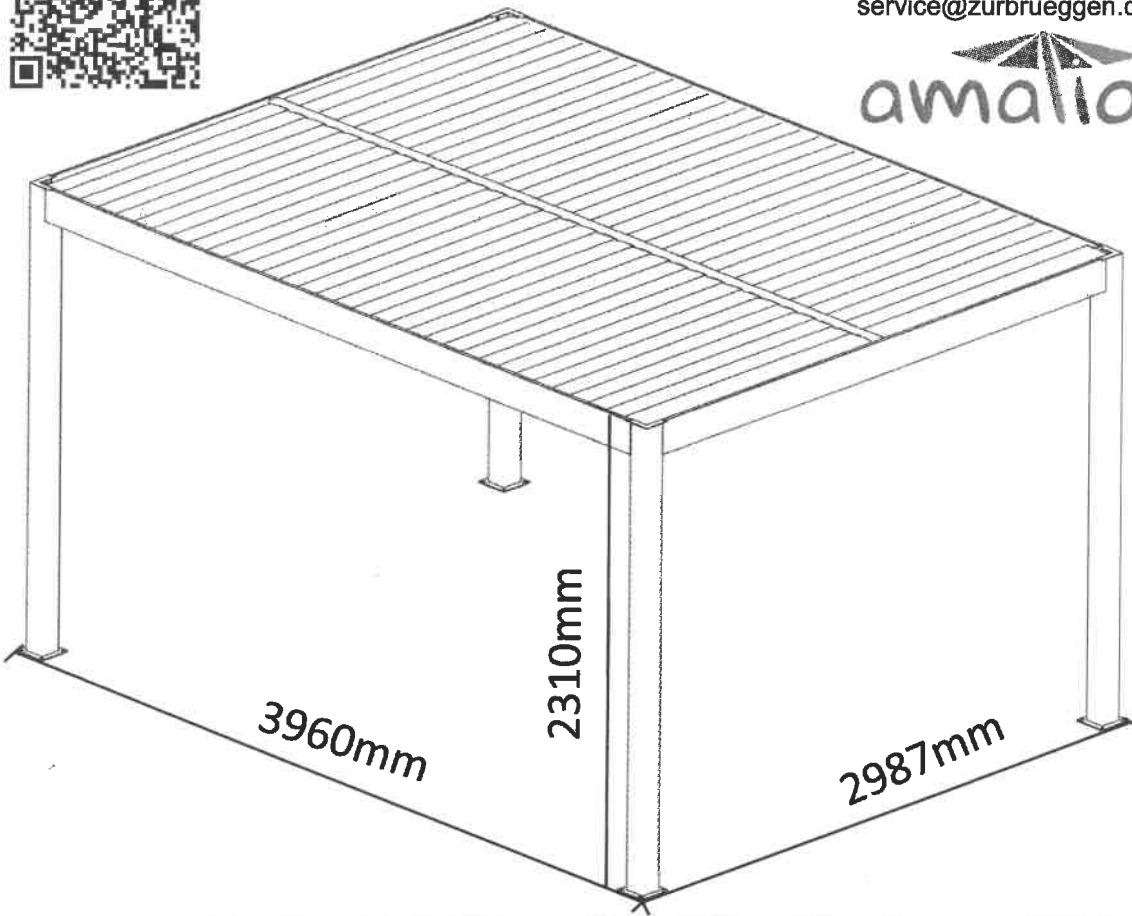

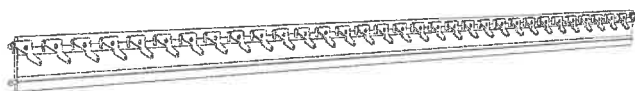

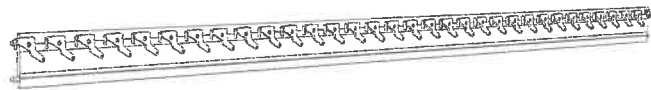
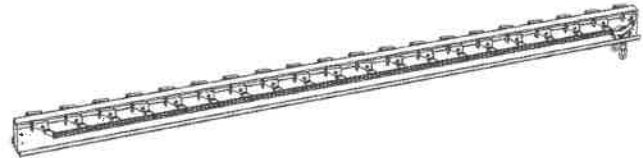


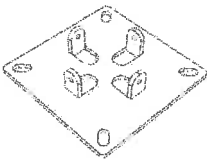




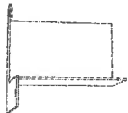










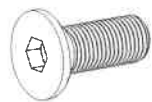
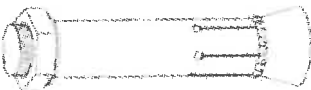


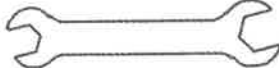

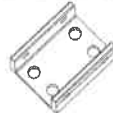




1400049

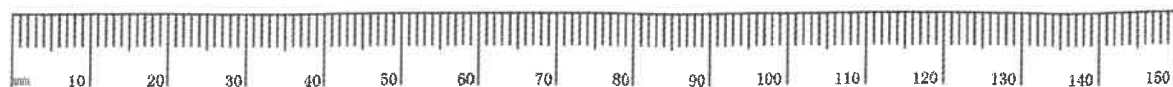
Zurbrueggen Wohn-Zent
Hans-Boeckler-Strasse 4
59423 Unna, Germany
service@zurbrueggen.de



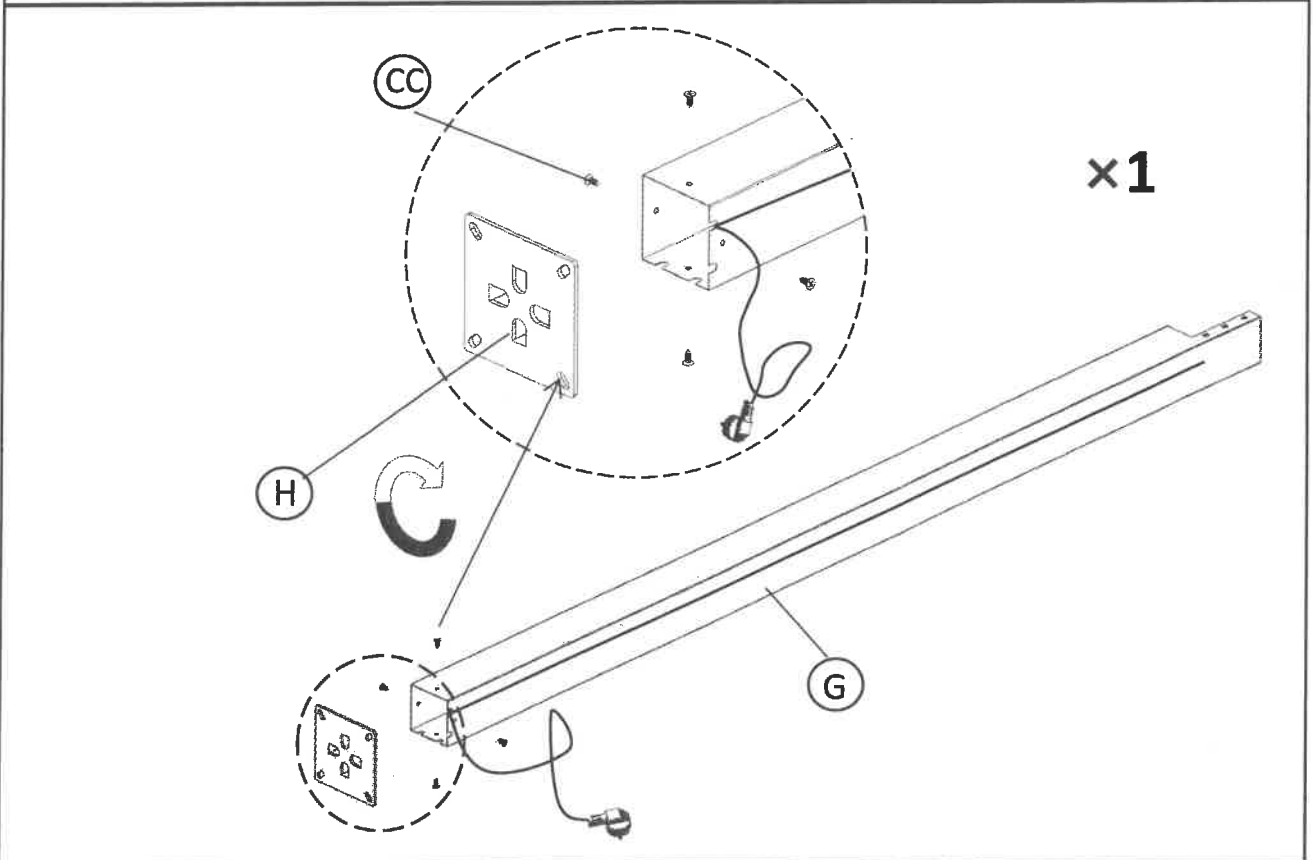
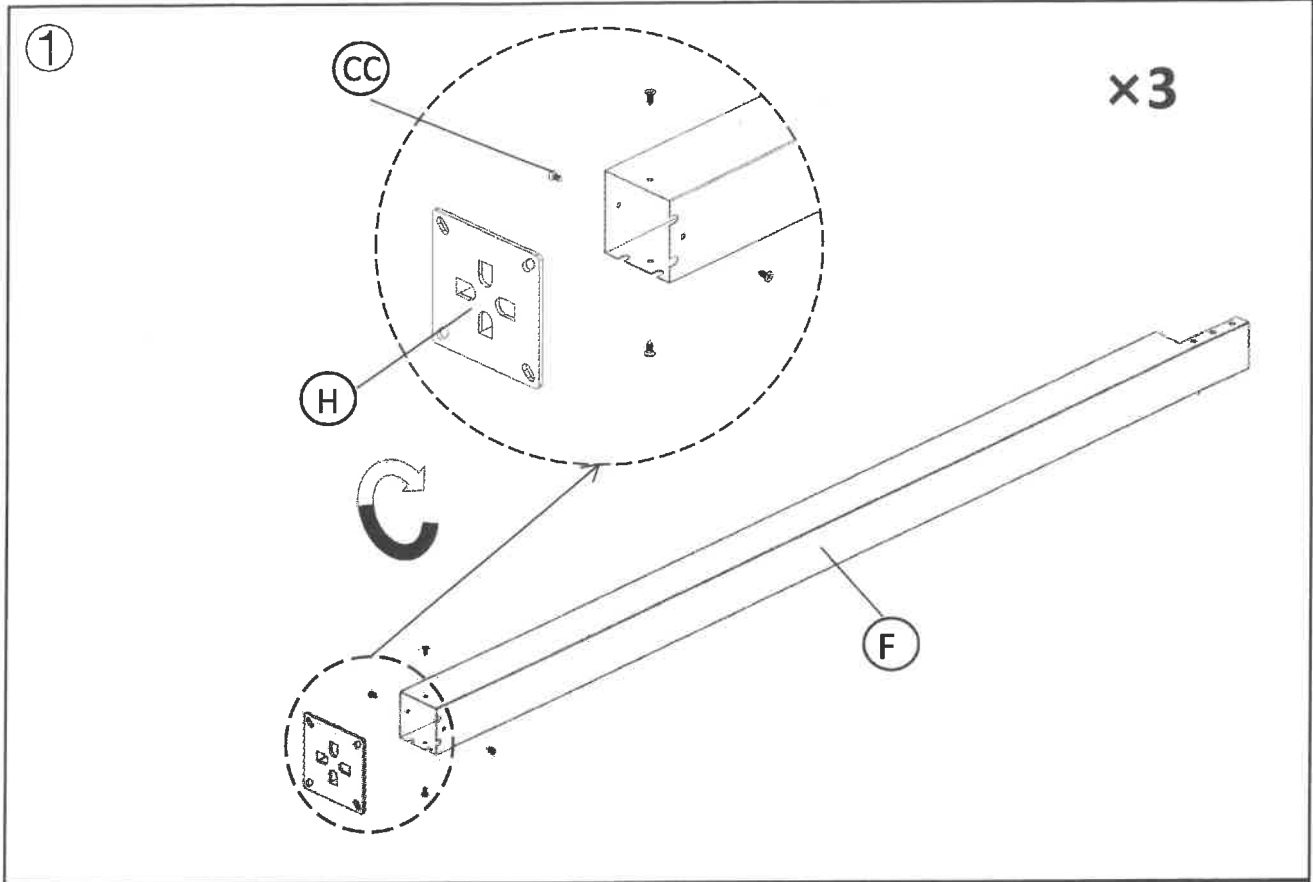
| | | qty |
|---|--|-----|
| A |  | 1 |
| B |  | 1 |
| C |  | 1 |
| D |  | 1 |
| E |  | 1 |
| F |  | 3 |
| G |  | 1 |
| H |  | 4 |


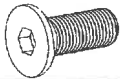
| | | qty |
|---|--|-----|
| I |  | 64 |
| J |  | 2 |
| K |  | 4 |
| L |  | 2 |
| M |  | 1 |
| N |  | 1 |
| O |  | 1 |
| P |  | 1 |
| Q |  | 1 |

| | | | |
|----|---|-----------|----|
| AA |  | M4*13mm | 21 |
| BB |  | M6*20mm | 9 |
| CC |  | M6*16mm | 25 |
| DD |  | M10*100mm | 17 |
| EE |  | M6 | 1 |
| FF |  | \ | 2 |
| |  | \ | 1 |
| |  | \ | 1 |
| GG |  | \ | 2 |
| HH |  | M10 | 16 |
| II |  | M10 | 16 |
| JJ |  | M10 | 16 |
| KK |  | \ | 4 |

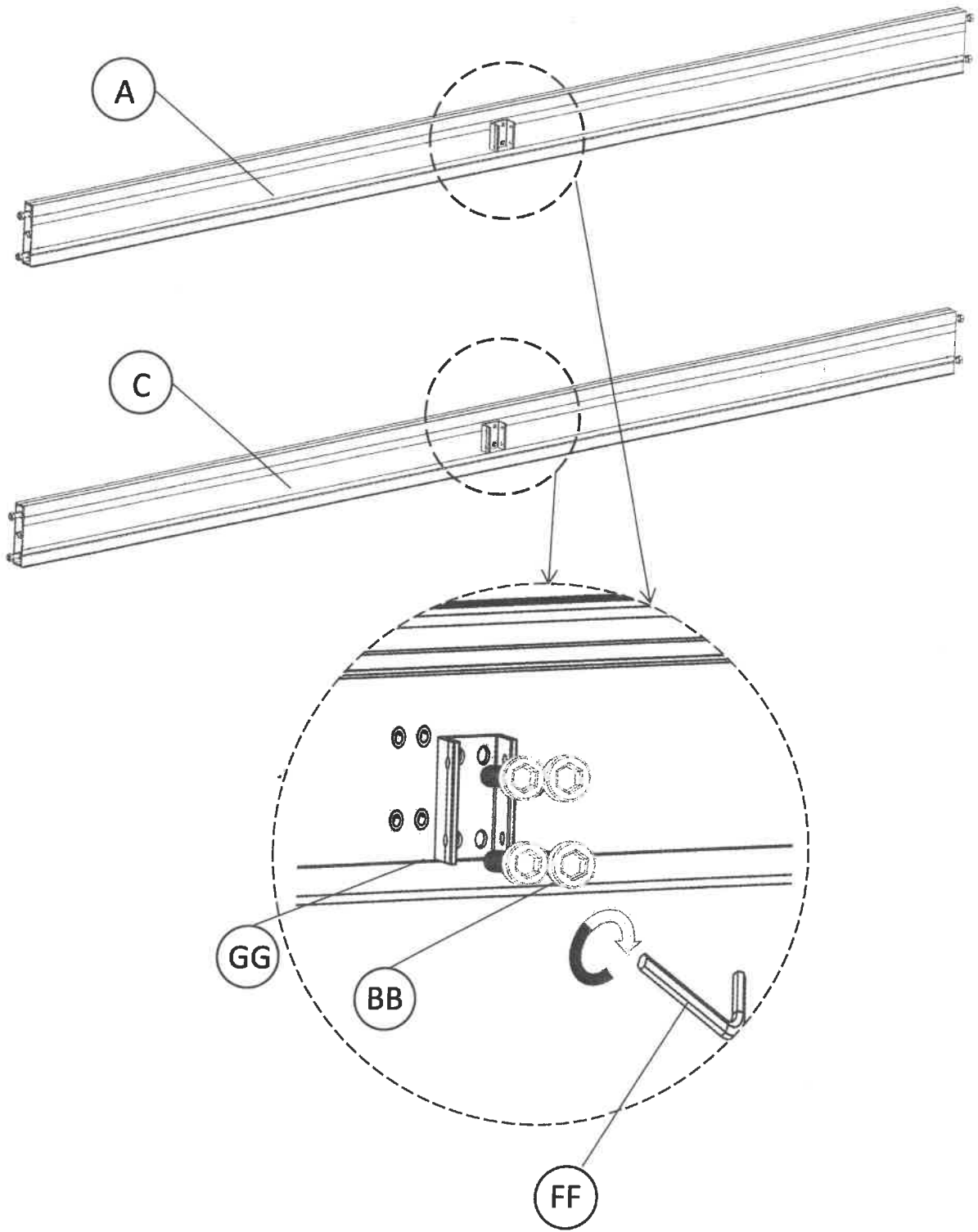


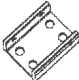

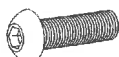
X 2hours



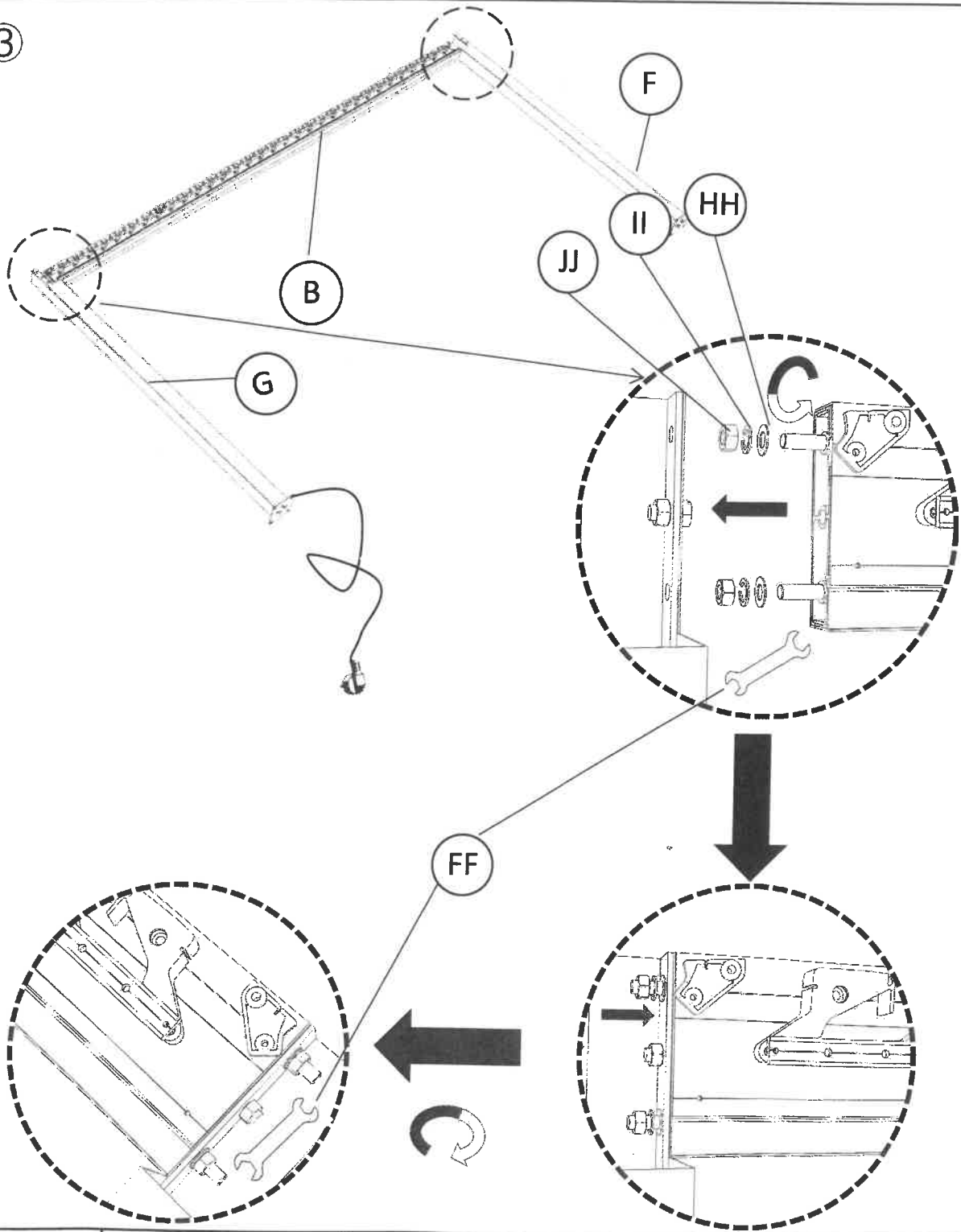
| | | | |
|----|---|-------------|-----|
| H |  | 200*200*5mm | 4 |
| CC |  | M6*16mm | ×16 |

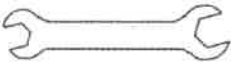



②



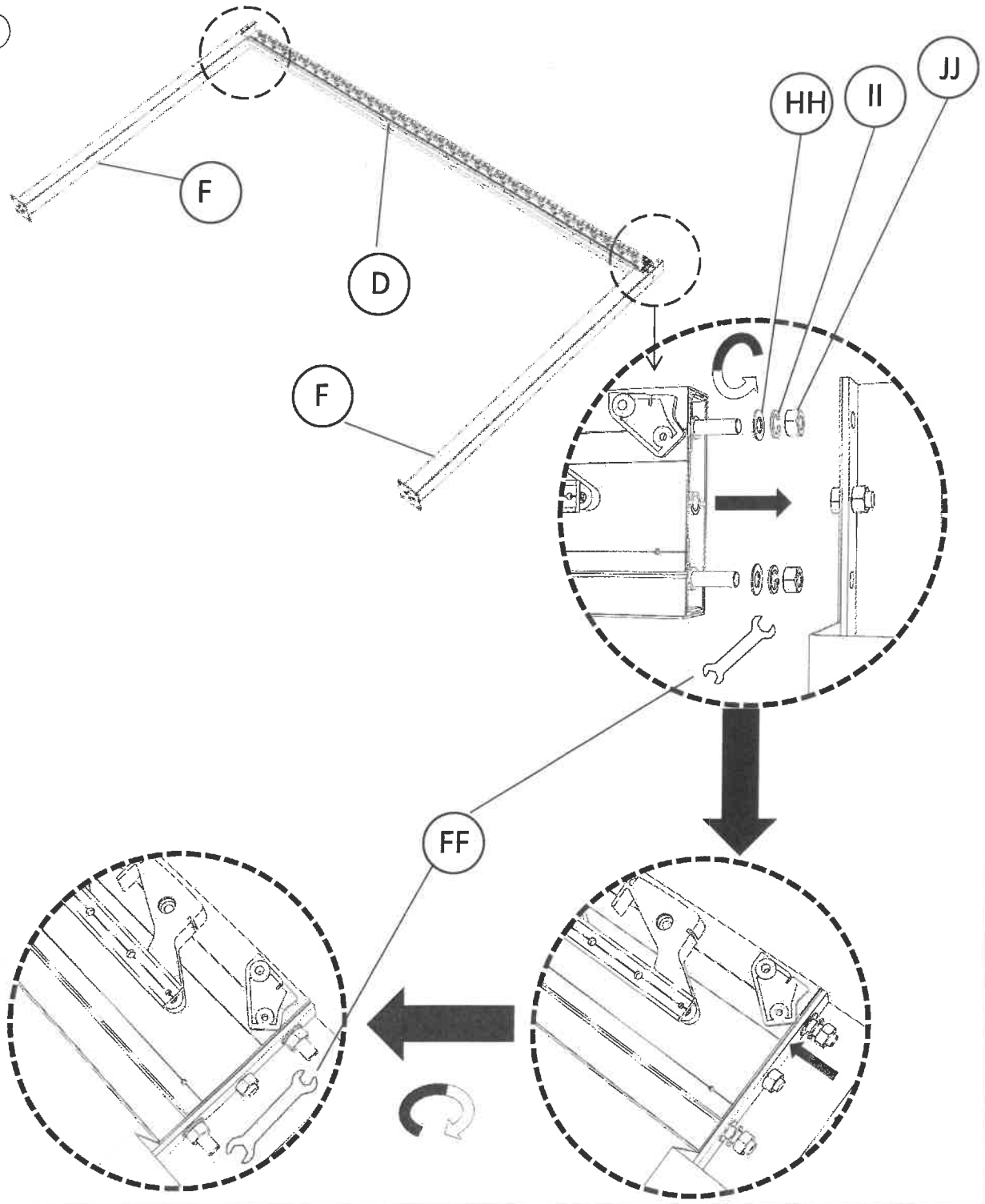
| | | | |
|----|---|----------|----|
| GG |  | \ | x2 |
| FF |  | \ | x2 |
| BB |  | M6*20 mm | x8 |

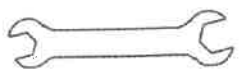



③

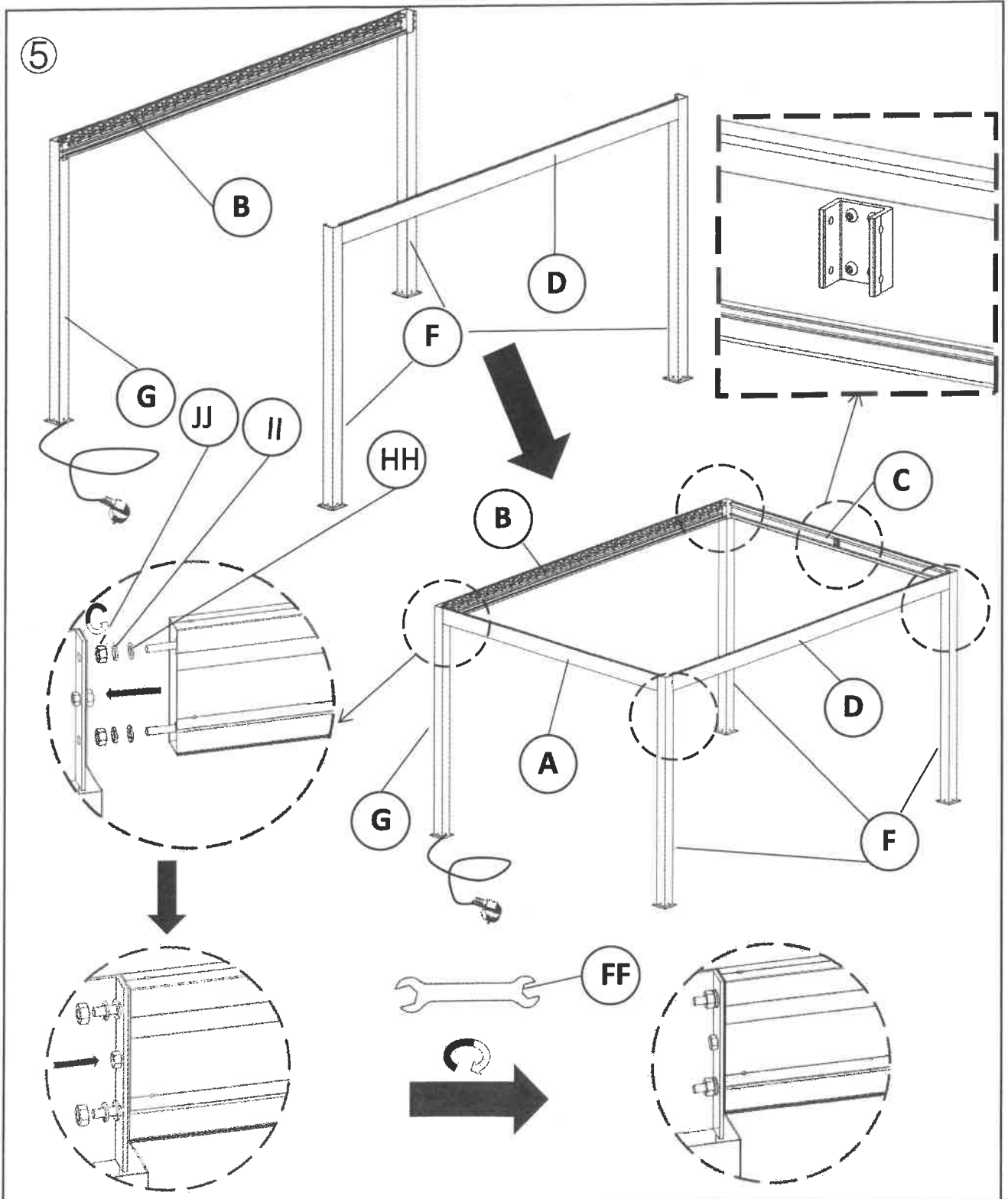


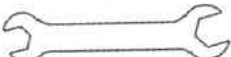



| | | | |
|----|---|-----|----|
| FF |  | \ | ×1 |
| HH |  | M10 | ×4 |
| II |  | M10 | ×4 |
| JJ |  | M10 | ×4 |

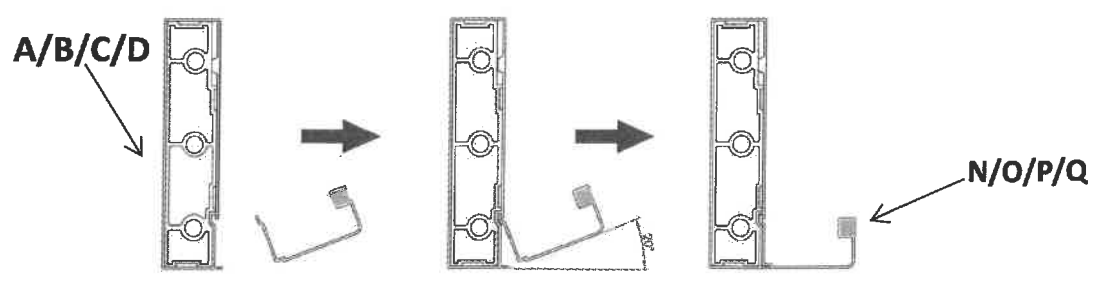
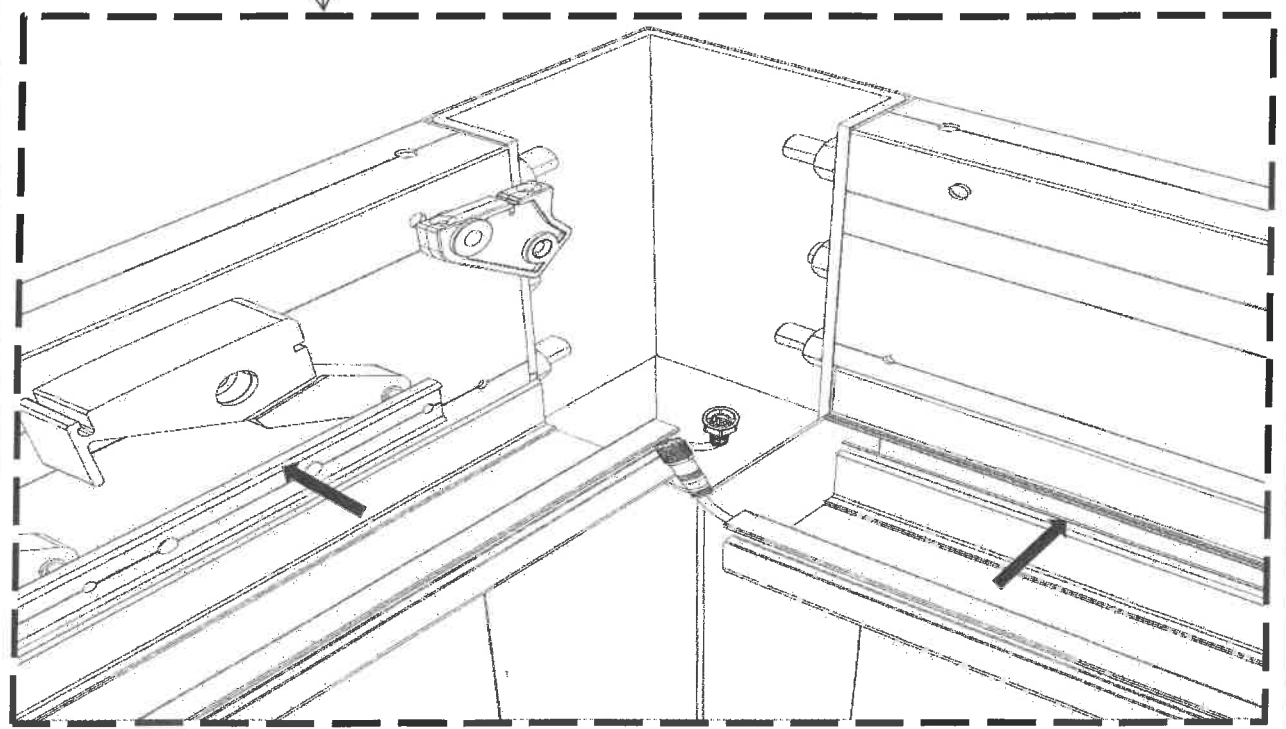
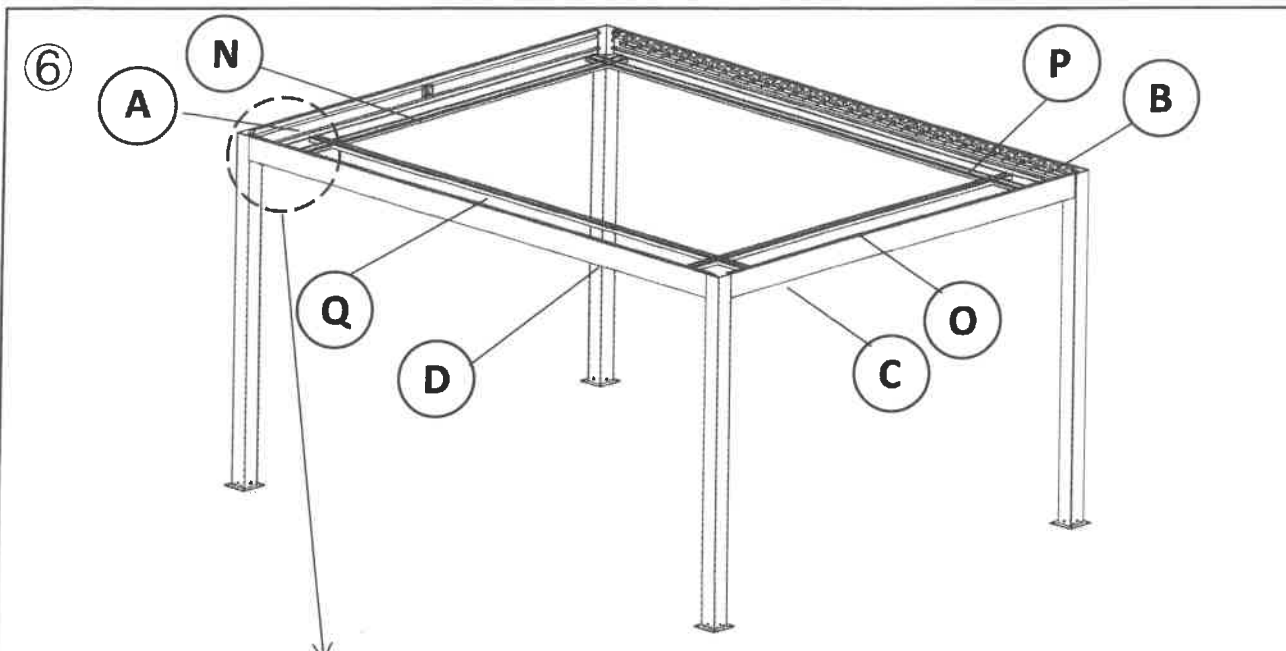
④



| | | | |
|----|---|-----|----|
| FF |  | \ | ×1 |
| HH |  | M10 | ×4 |
| II |  | M10 | ×4 |
| JJ |  | M10 | ×4 |

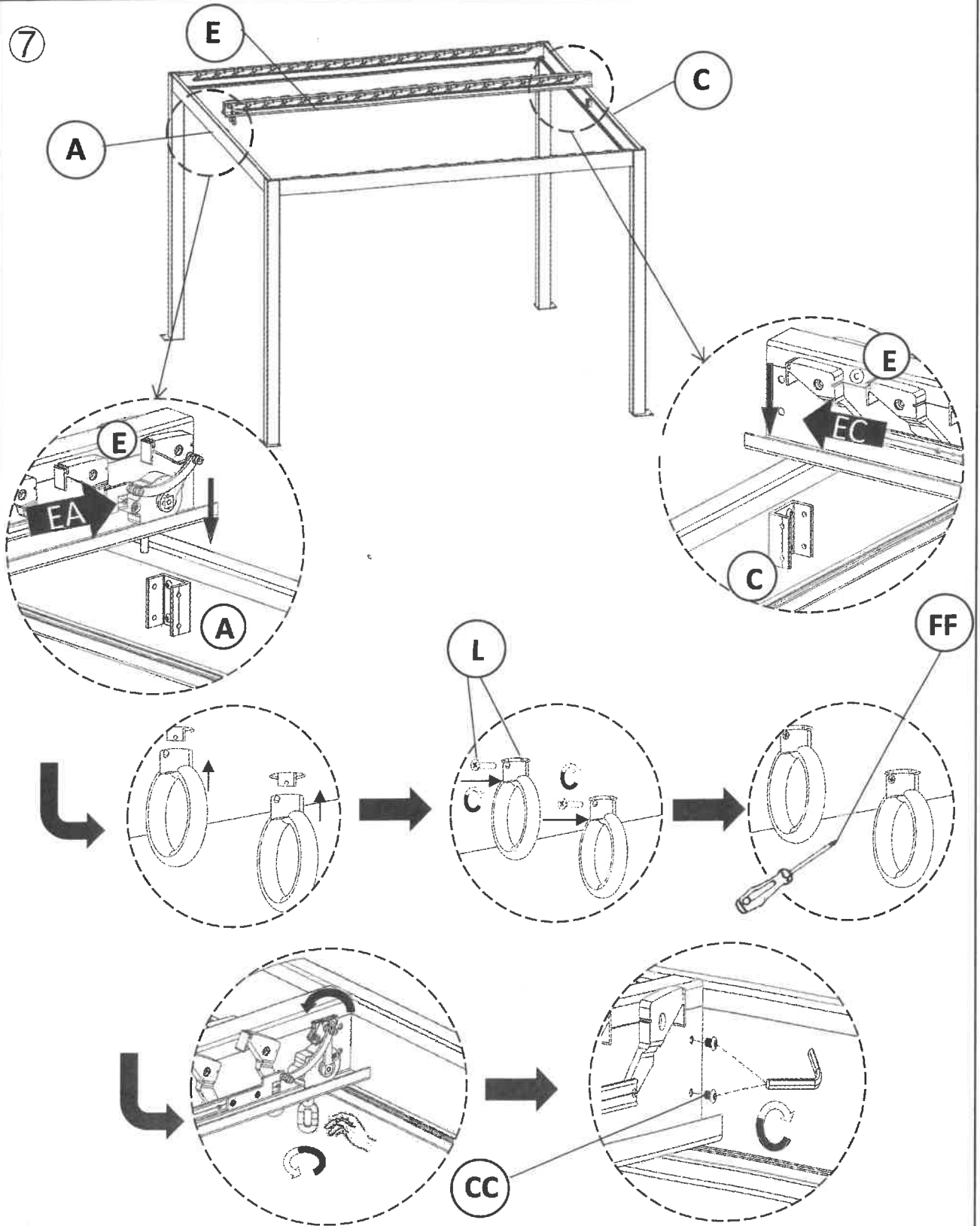


| | | | |
|----|---|-----|----|
| FF |  | \ | ×1 |
| HH |  | M10 | ×8 |
| II |  | M10 | ×8 |
| JJ |  | M10 | ×8 |



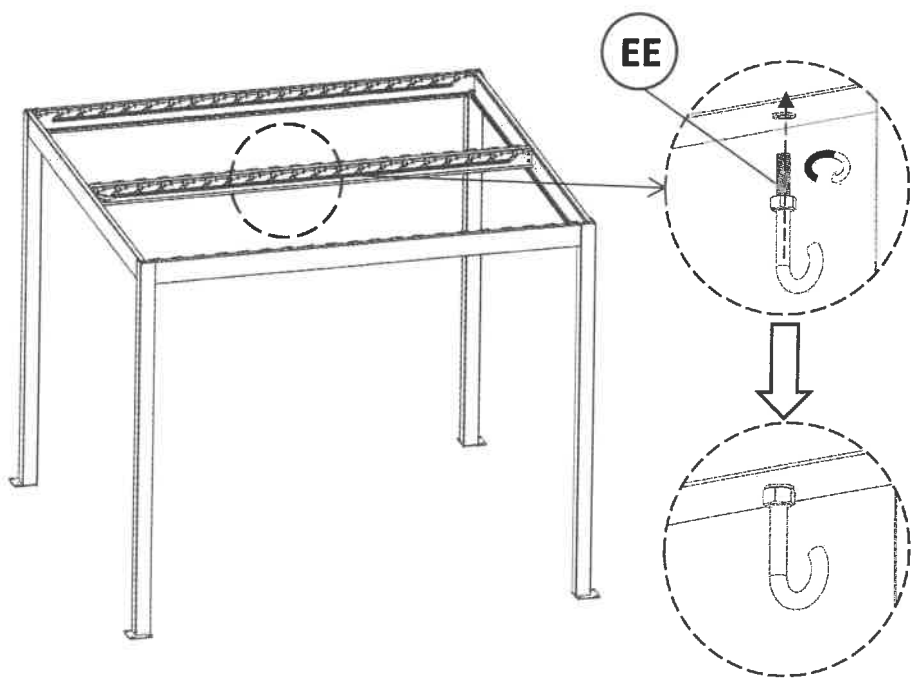
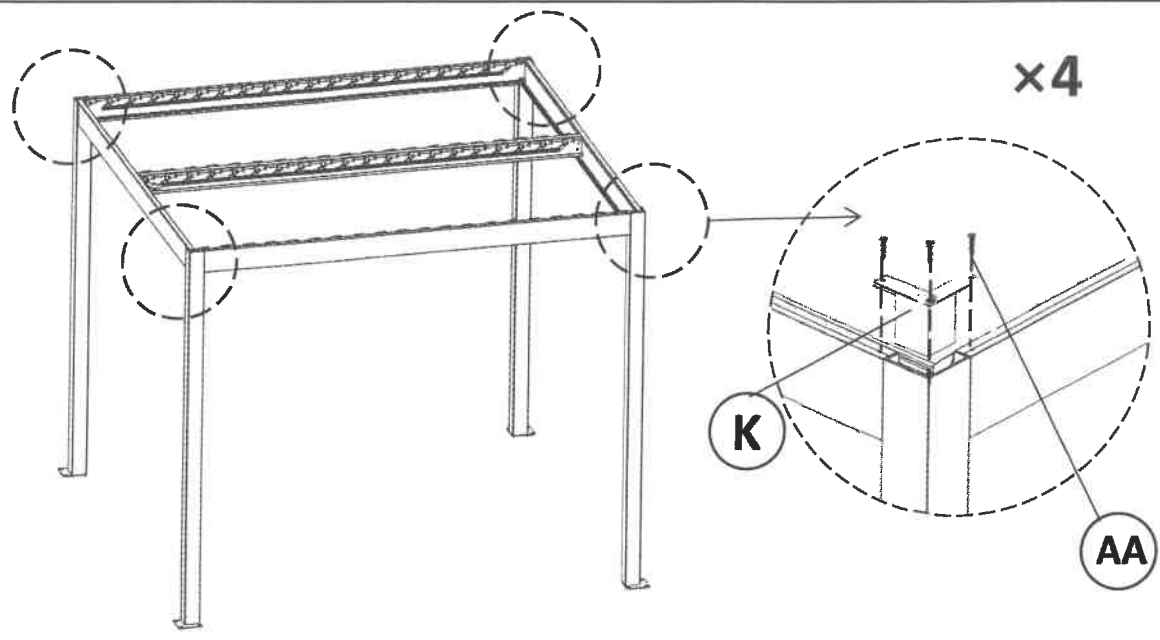
| | | | | |
|---|---|--|---|-------|
| N | O | | \ | x1/x1 |
| P | Q | | \ | x1/x1 |



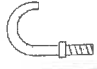
7



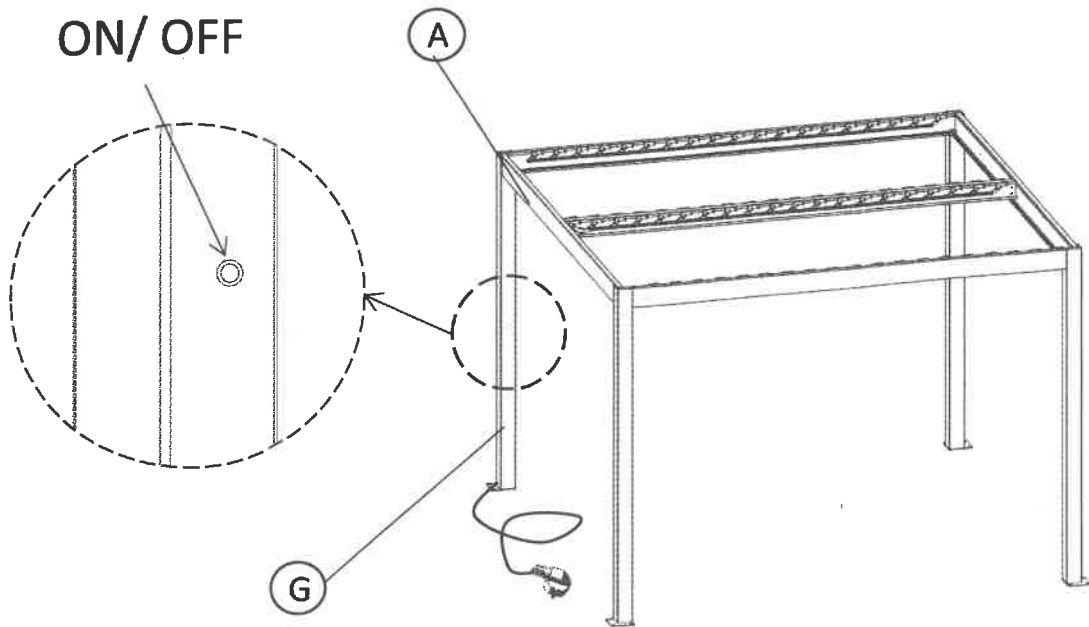
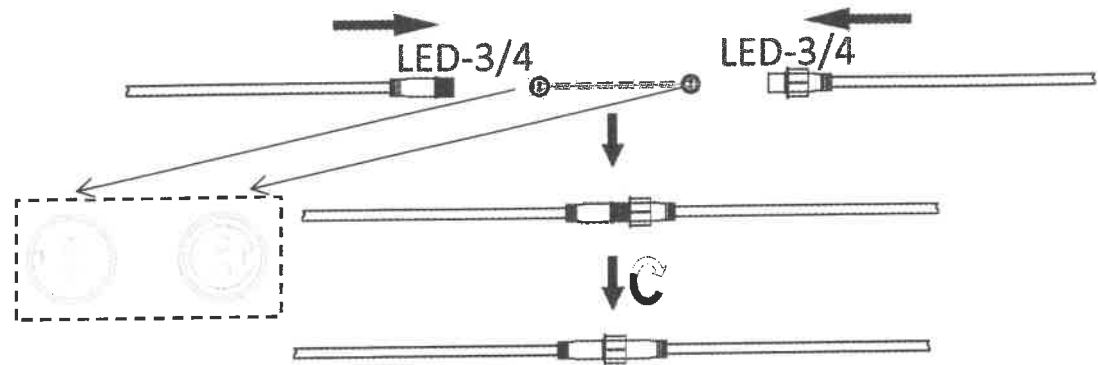
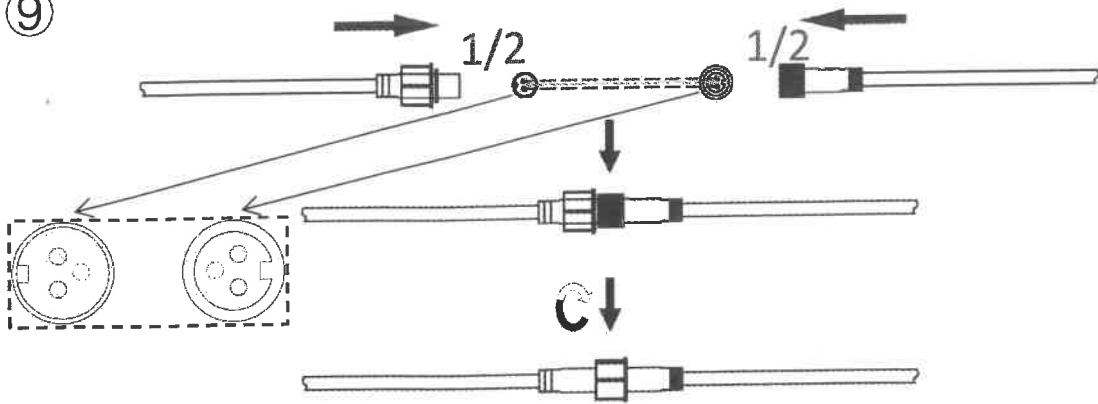
| | | | |
|----|---|---------|-------|
| L |  | M4*20mm | ×2 |
| FF |  | \ | ×1/×2 |
| CC |  | M6*16mm | ×8 |

8

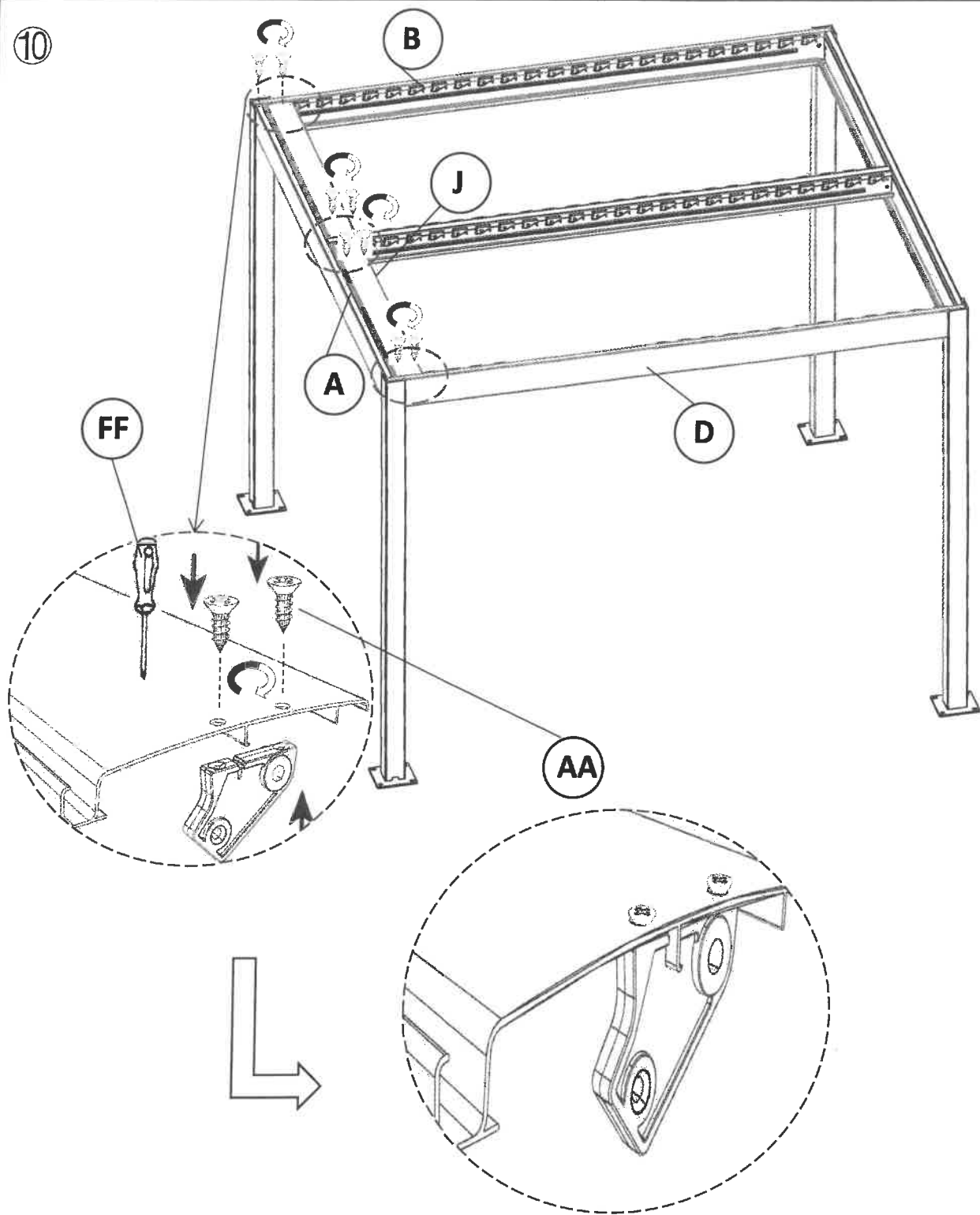





| | | | |
|----|---|---------|-----|
| K |  | \ | x4 |
| AA |  | M4*13mm | x12 |
| EE |  | M6 | x1 |

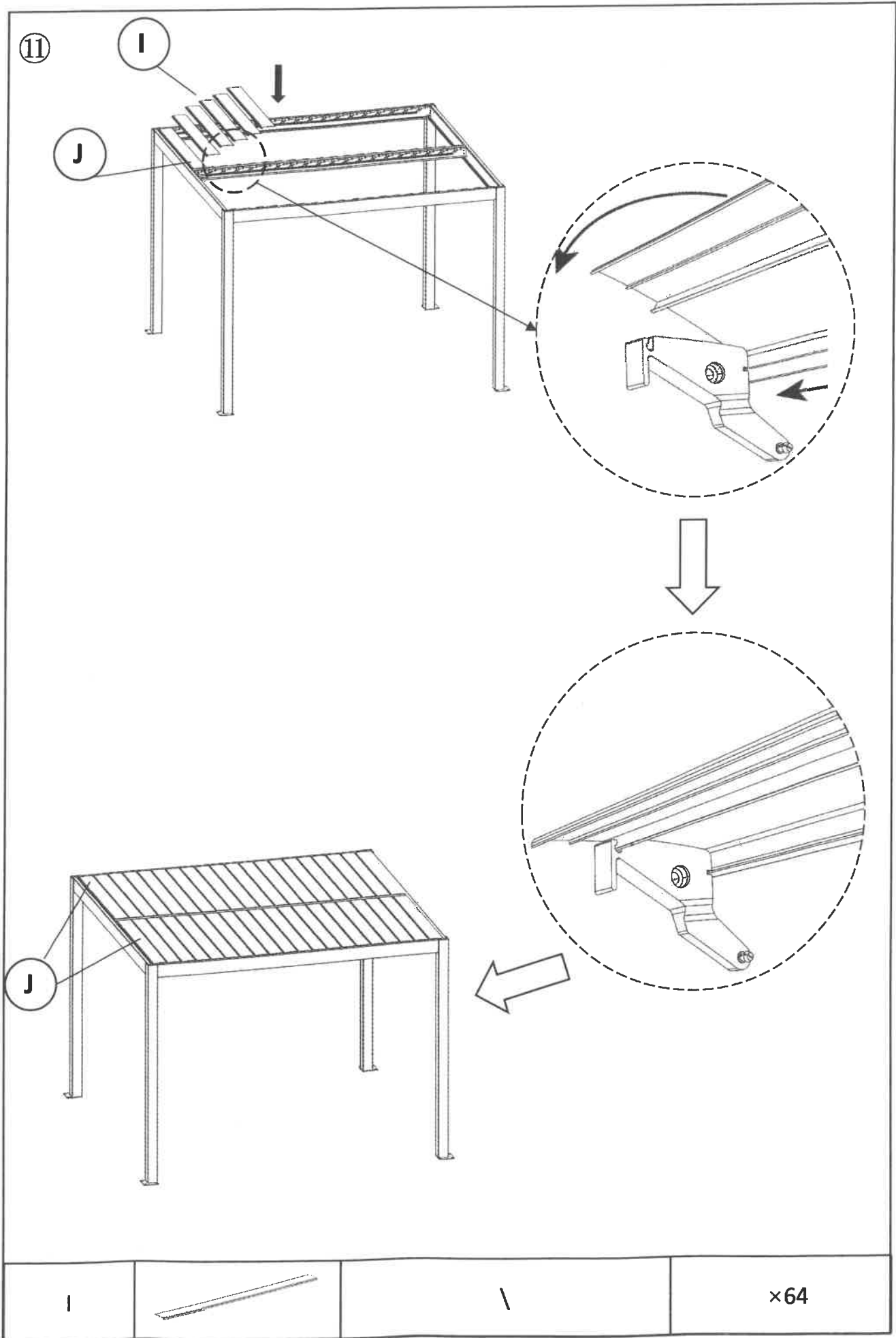
9



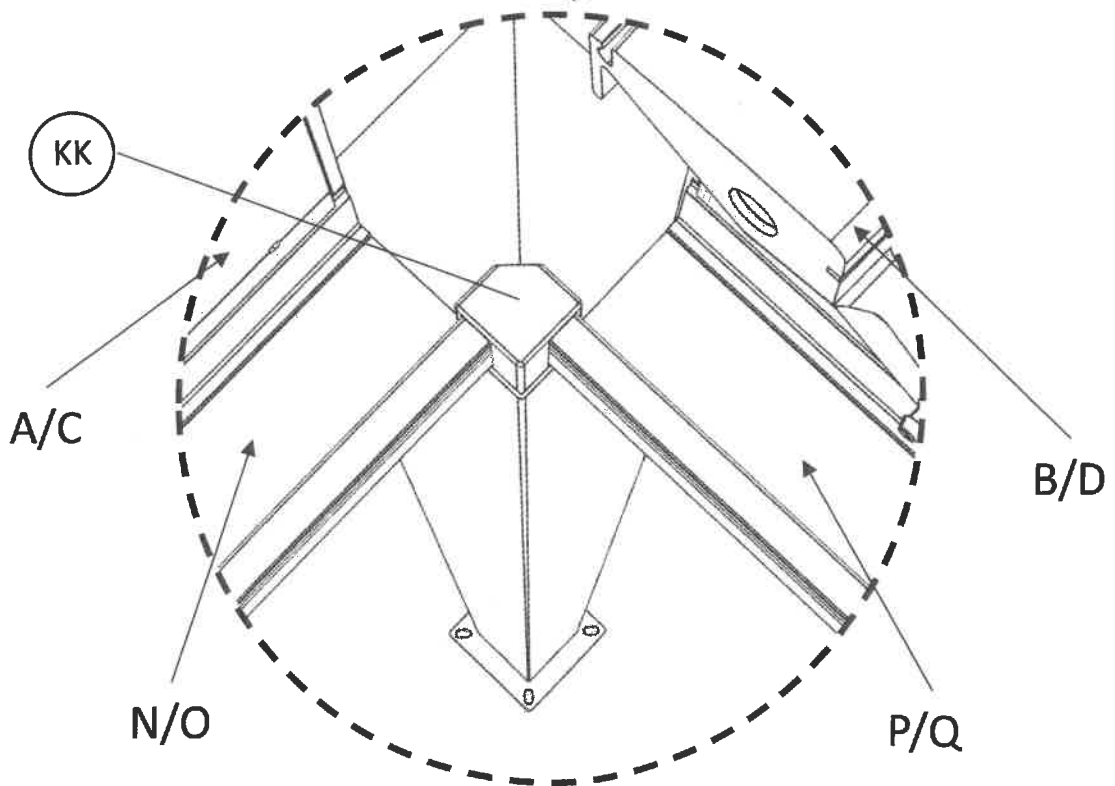
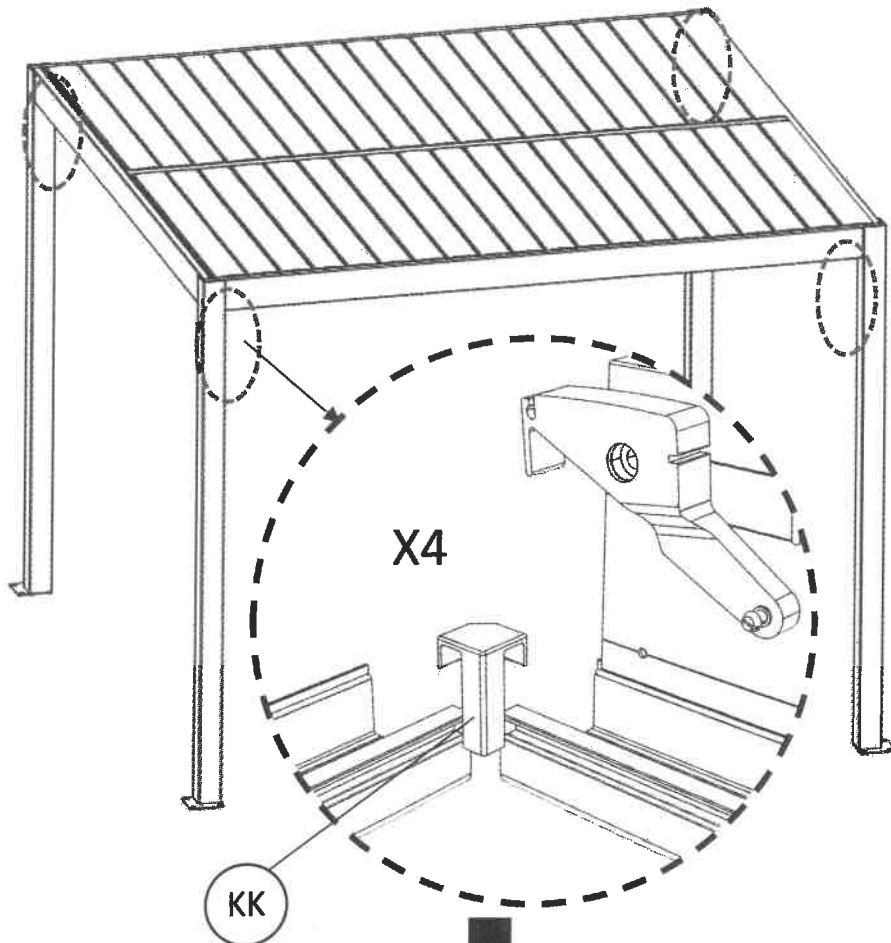
10



| | | | |
|----|---|---------|----|
| FF |  | \ | x1 |
| AA |  | M4*13mm | x8 |
| J |  | \ | x2 |

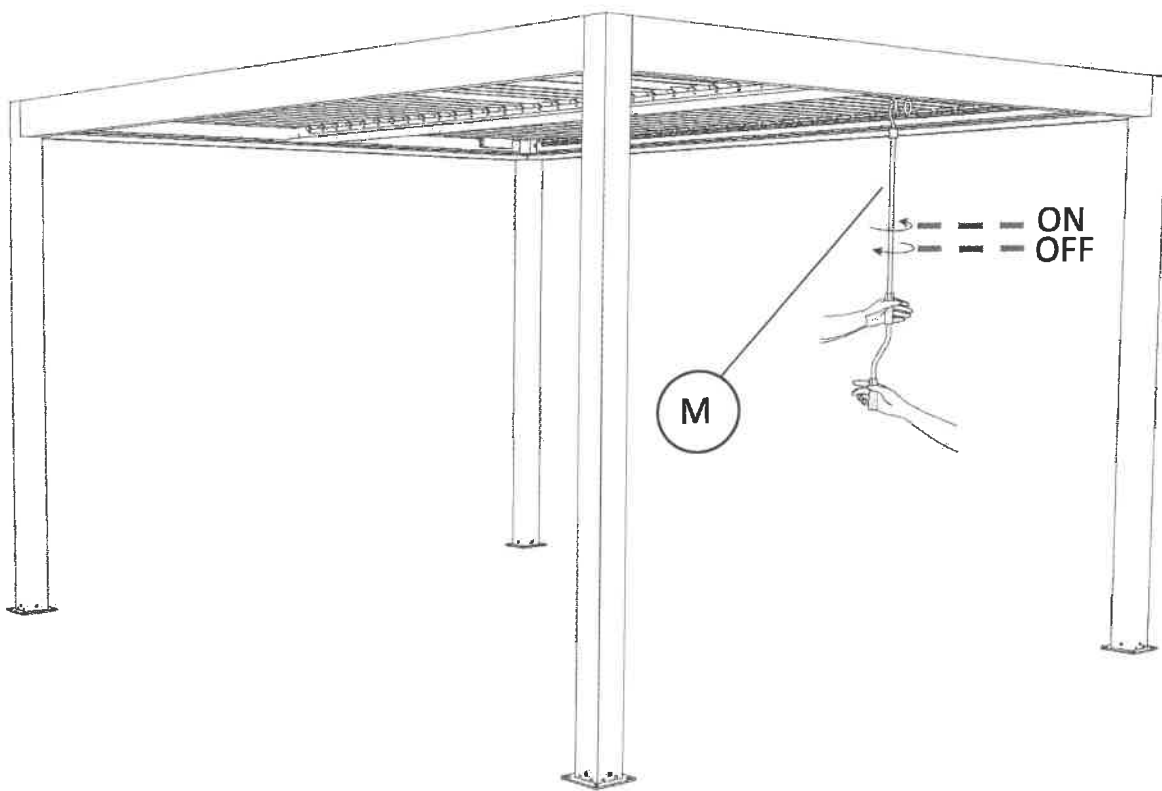


12



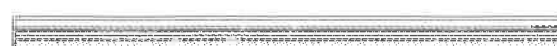







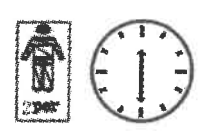
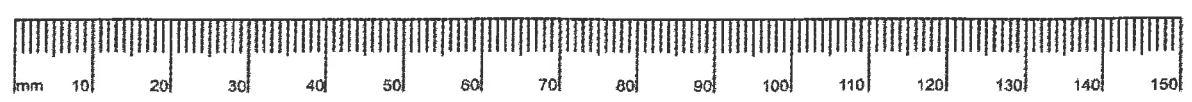
| | | | |
|----|---|---|----|
| KK |  | \ | x4 |
|----|---|---|----|

13

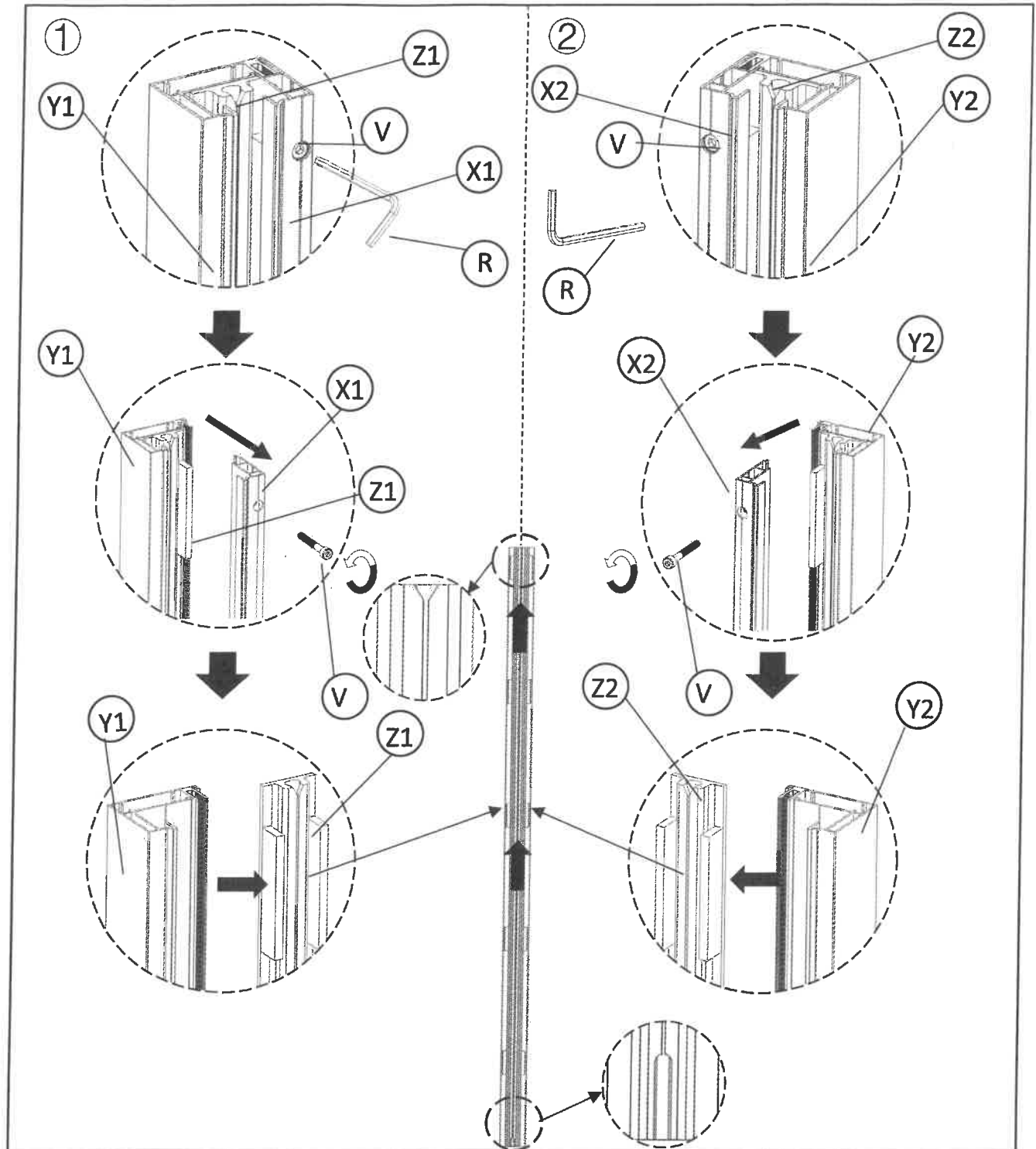


| | | | |
|---|---|---|----|
| M |  | \ | x1 |
|---|---|---|----|

| | | qty | |
|----------|---|-----|-----------|
| 3M/4M |  | 1 | \ |
| X1+Y1+Z1 |  | 1 | \ |
| X2+Y2+Z2 |  | 1 | \ |
| R |  | 1 | 3mm |
| S |  | 8 | M3.9*16mm |
| T |  | 8 | M4 |
| U |  | 1 | \ |
| V |  | 8 | M4*25mm |

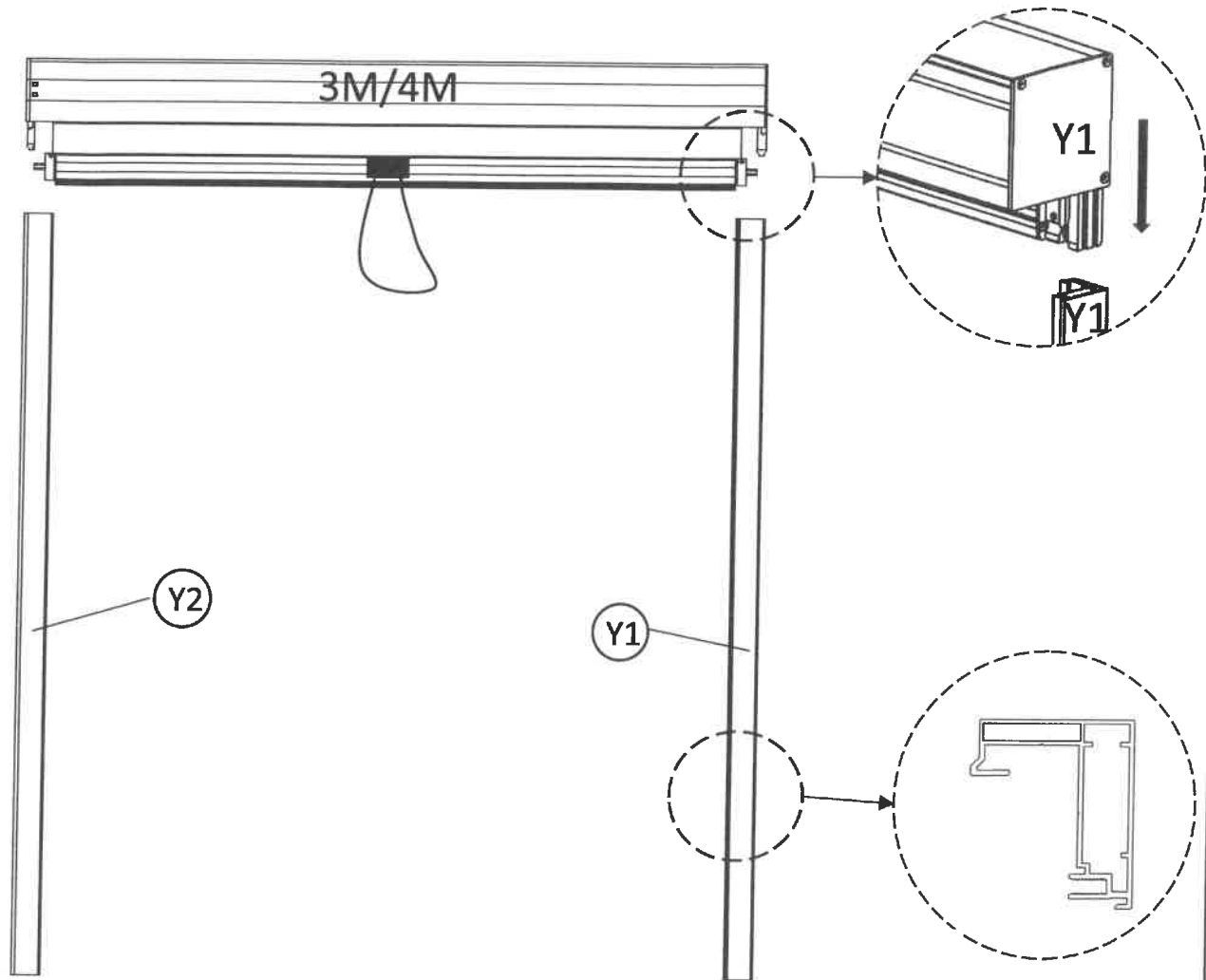


X 30 minutes

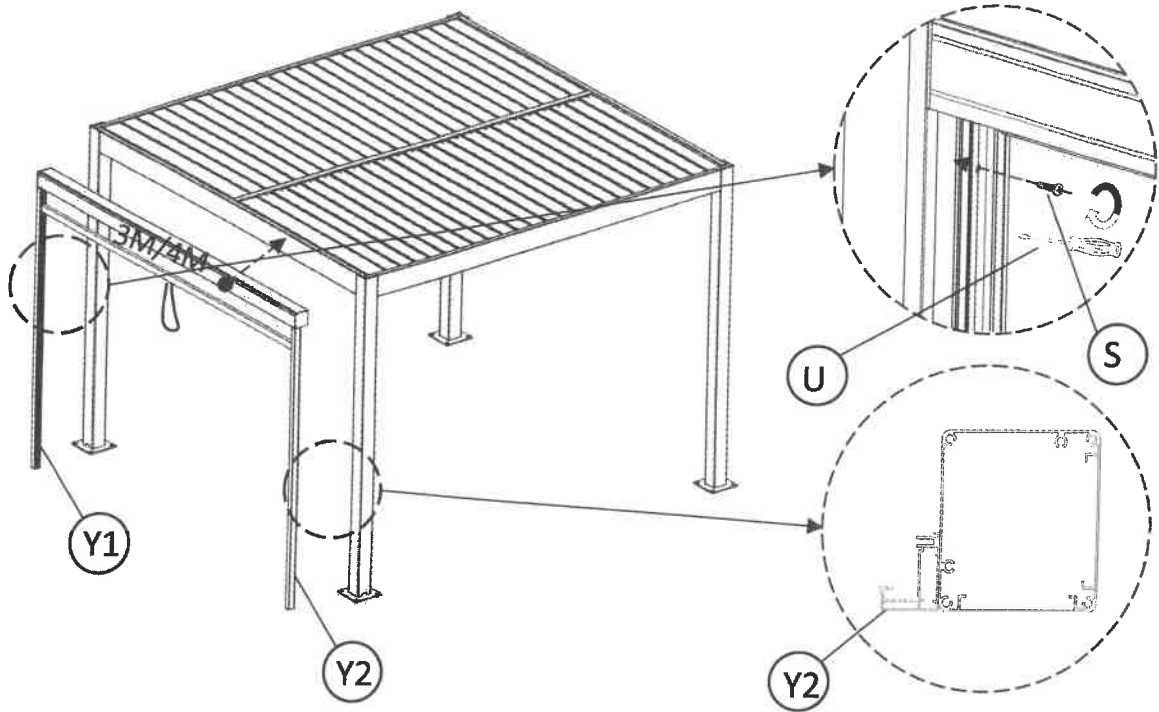


| | | | |
|-------|--|---------|-------|
| R | | \ | ×1 |
| V | | M4*25mm | ×8 |
| X1/X2 | | \ | ×1/×1 |
| Y1/Y2 | | \ | ×1/×1 |
| Z1/Z2 | | \ | ×2 |

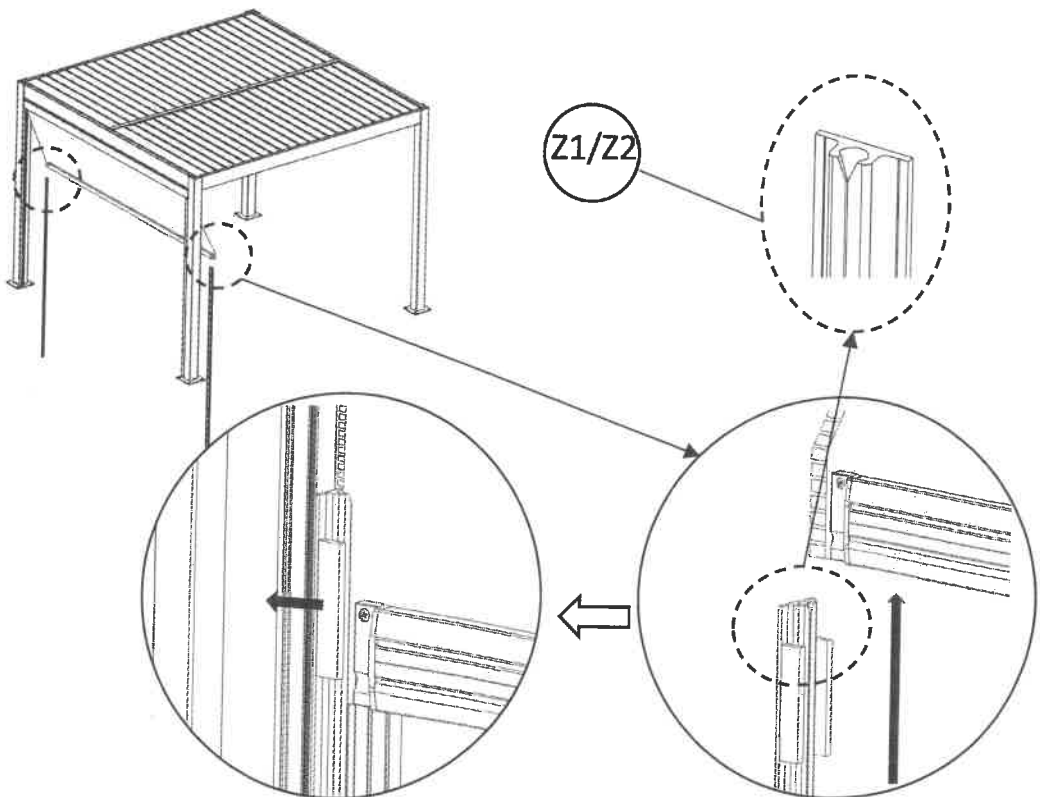
3





④



⑤

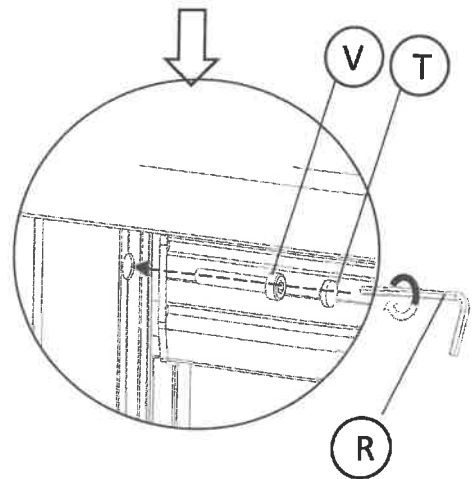
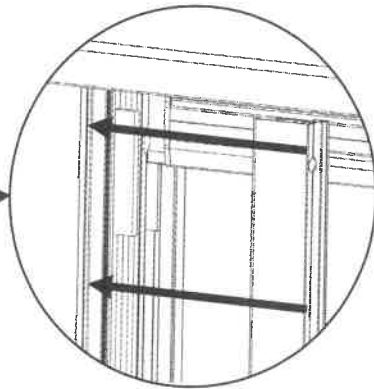
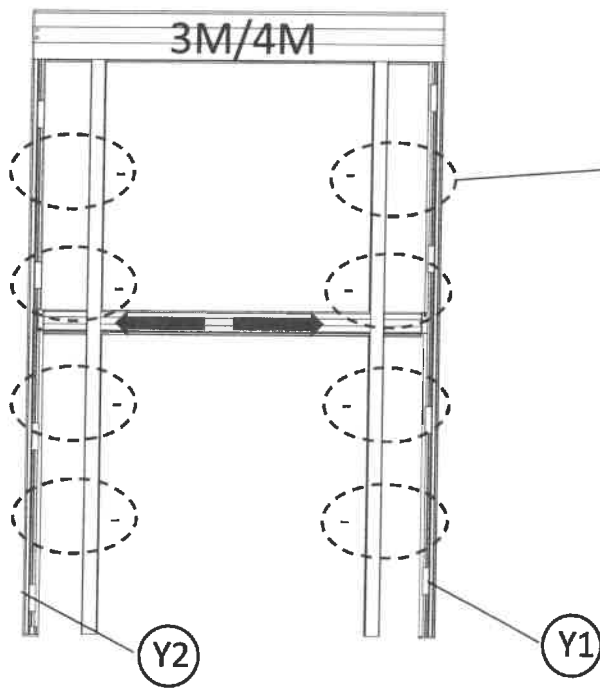
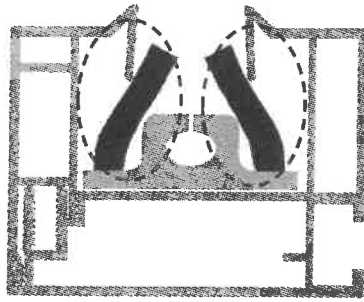
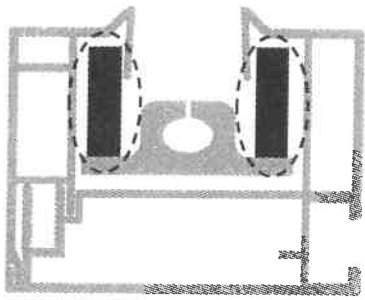





| | | | |
|---|---|-----------|----|
| U |  | \ | x1 |
| S |  | M3.9*16mm | x8 |

⑥

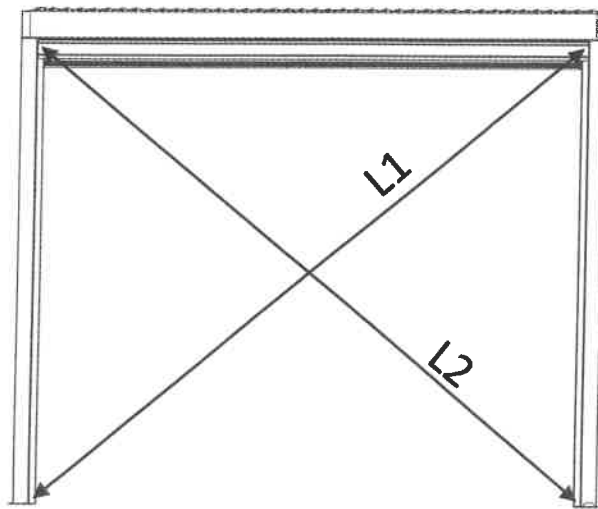
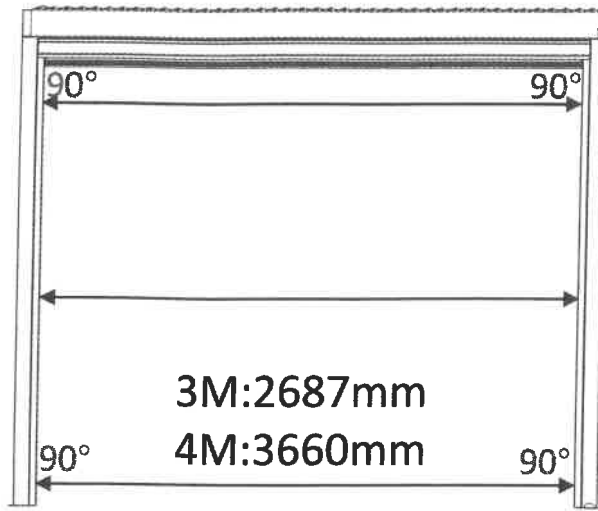
✓

✗



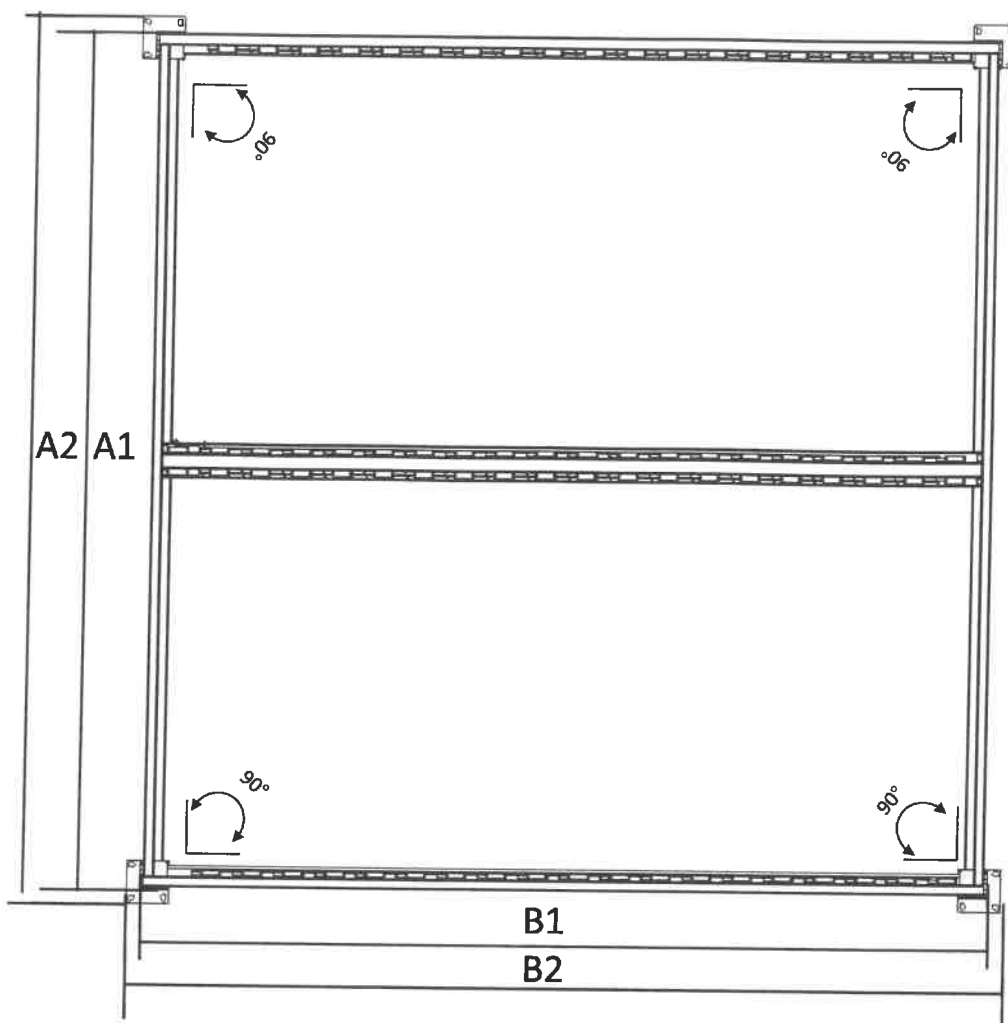
| | | | |
|---|---|---------|----|
| R |  | \ | ×1 |
| T |  | M4 | ×8 |
| V |  | M4*25mm | ×8 |

7

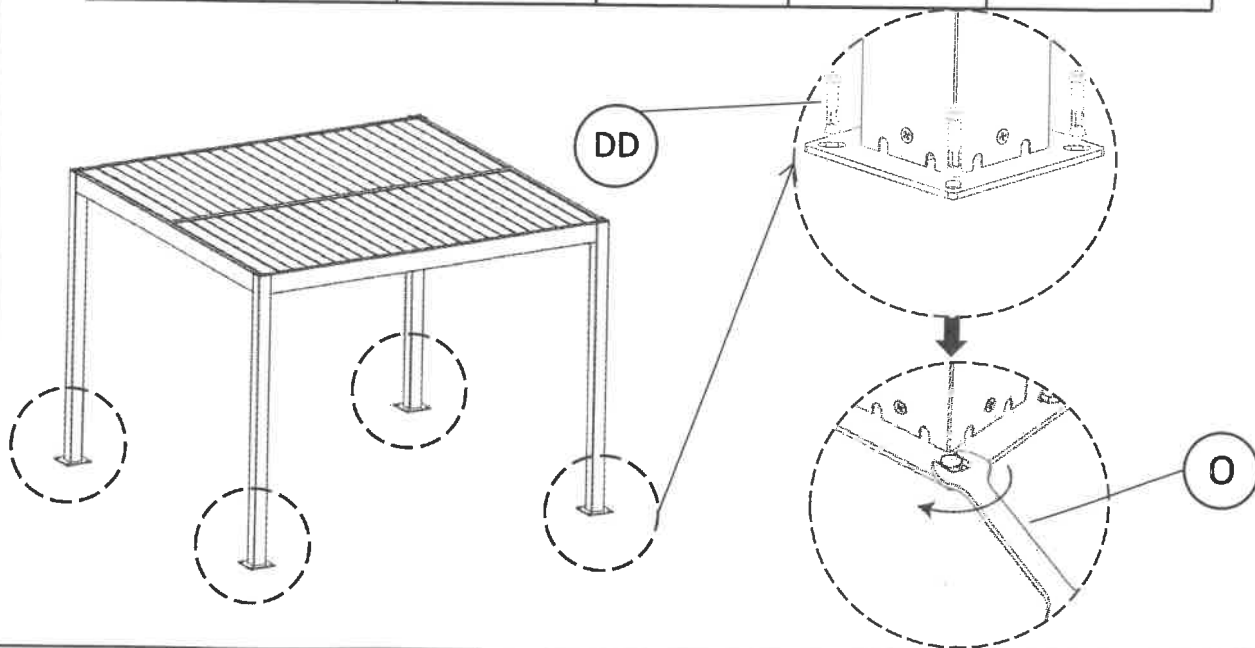



$L1=L2 \checkmark$

8



| Size of Pergola | A1 | A2 | B1 | B2 |
|-----------------|--------|--------|--------|--------|
| 3*4M | 2887mm | 2987mm | 3860mm | 3960mm |



| | | | |
|----|---|-----------|-----|
| DD |  | M10*100mm | ×16 |
|----|---|-----------|-----|

9

