

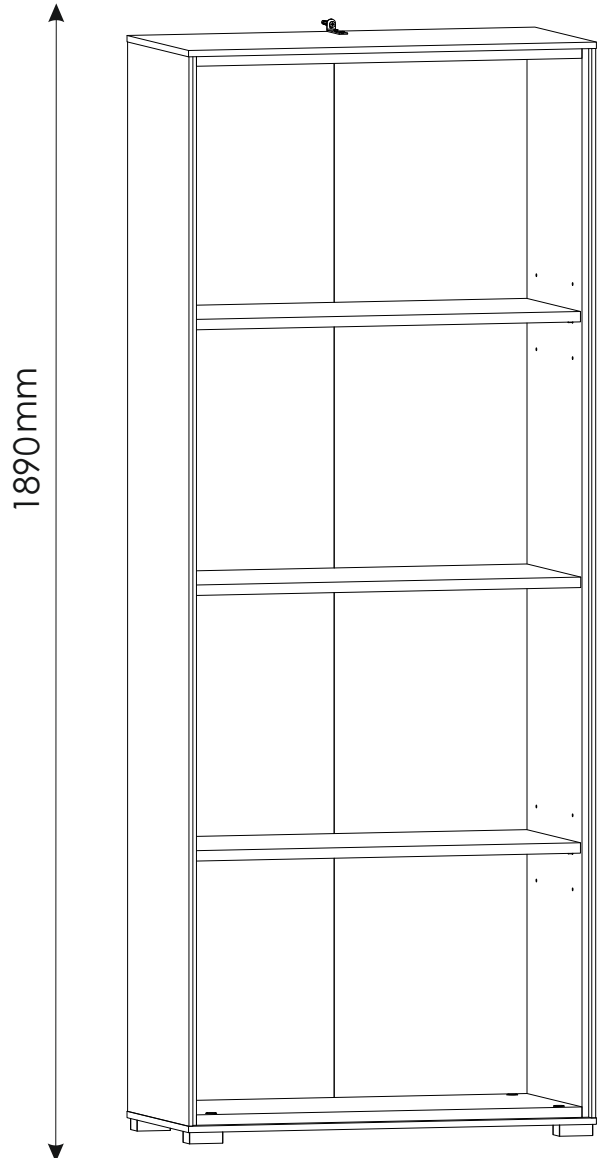
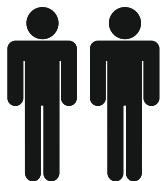


Modell: **DALLAS**

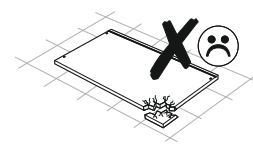
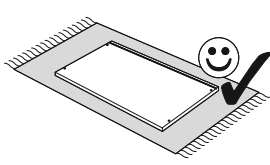
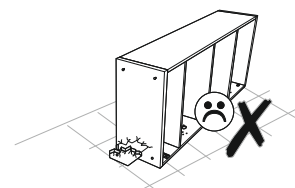
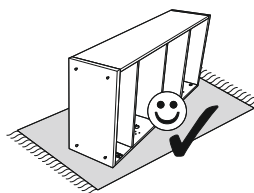
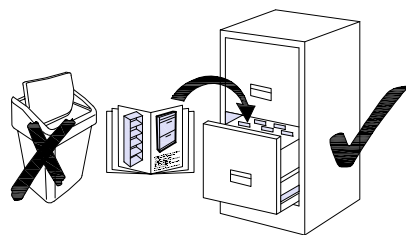
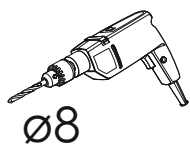
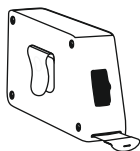
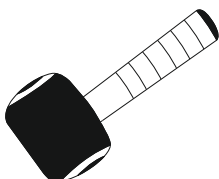
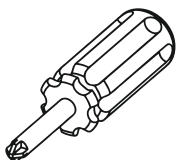
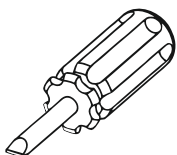
Art. Nr. 14160029/06



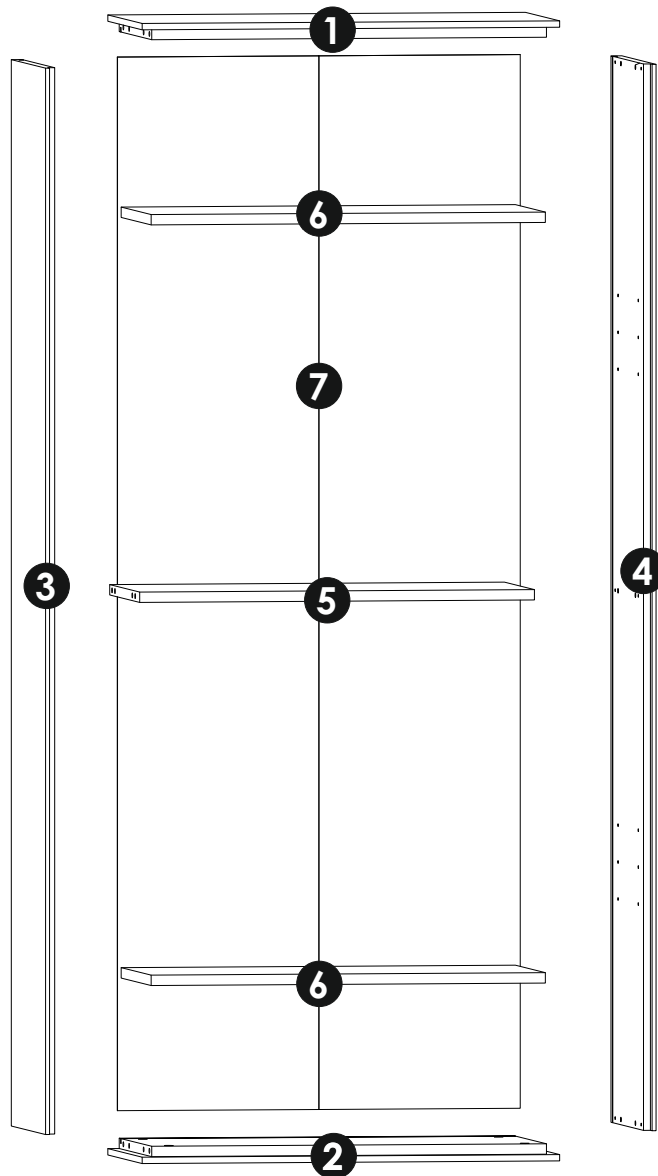
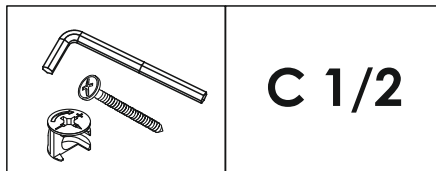
732 mm
380 mm



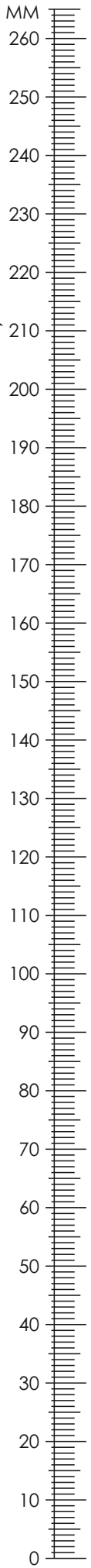
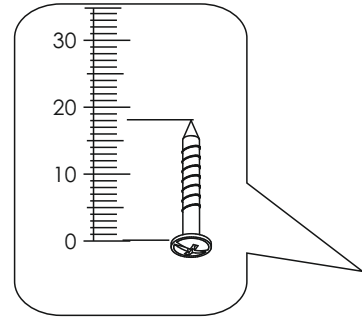
1890 mm



1	732	380	29	x1	1/2
2	732	380	29	x1	1/2
3	1848	379	19	x1	2/2
4	1848	379	19	x1	2/2
5	692	332	18	x1	1/2
6	691	332	18	x2	1/2
7	1826	706	3	x1	2/2



DALLAS Art.Nr.14160029/06



A

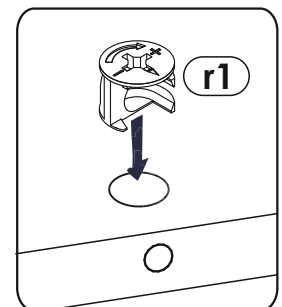
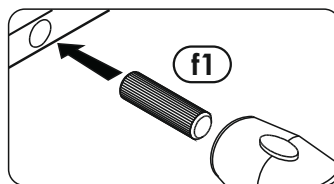
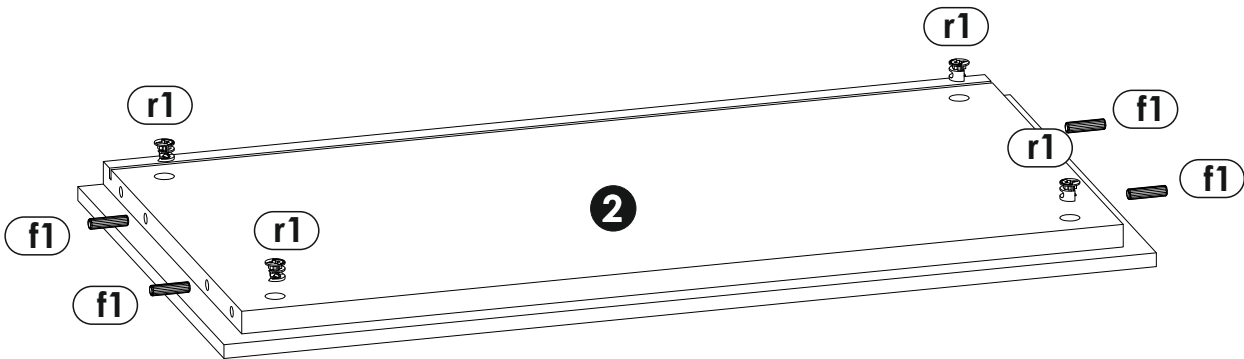
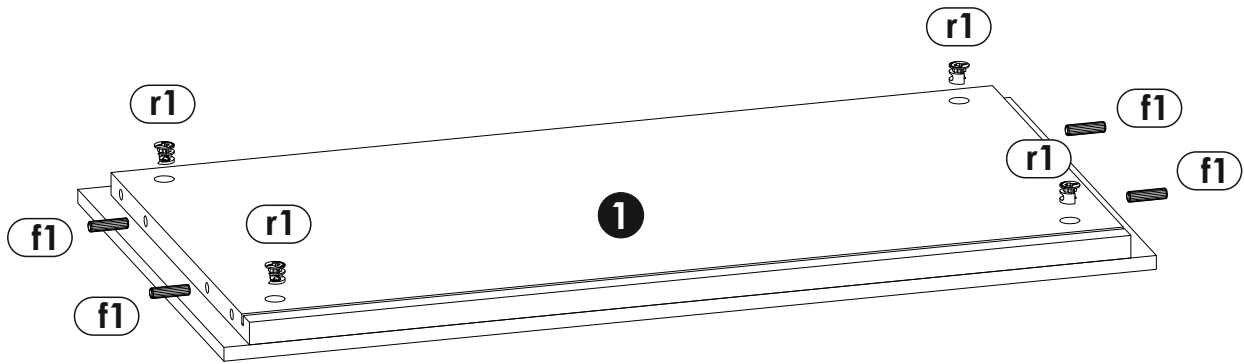
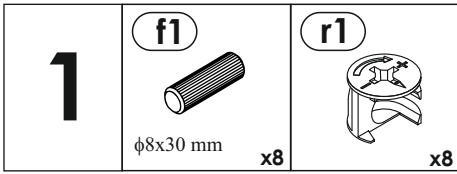
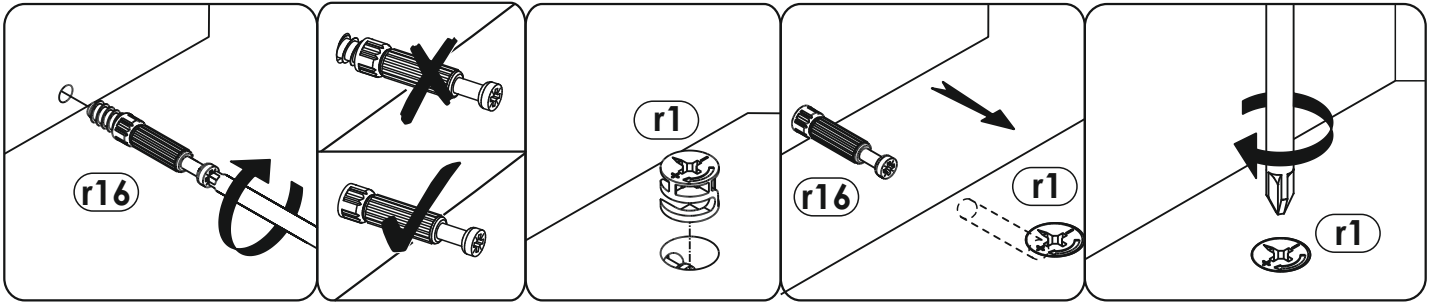
f1 φ8x30 mm x12	r16 x12	r1 x12	s2 x12	s11 x1	d1 φ5x17 mm x8
----------------------------------	-----------------------	----------------------	----------------------	----------------------	---------------------------------

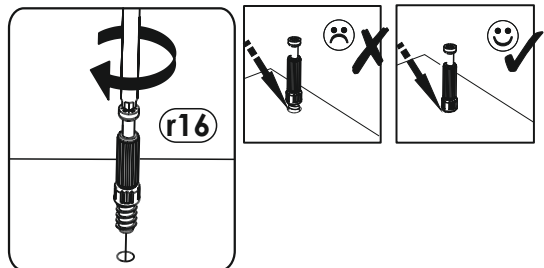
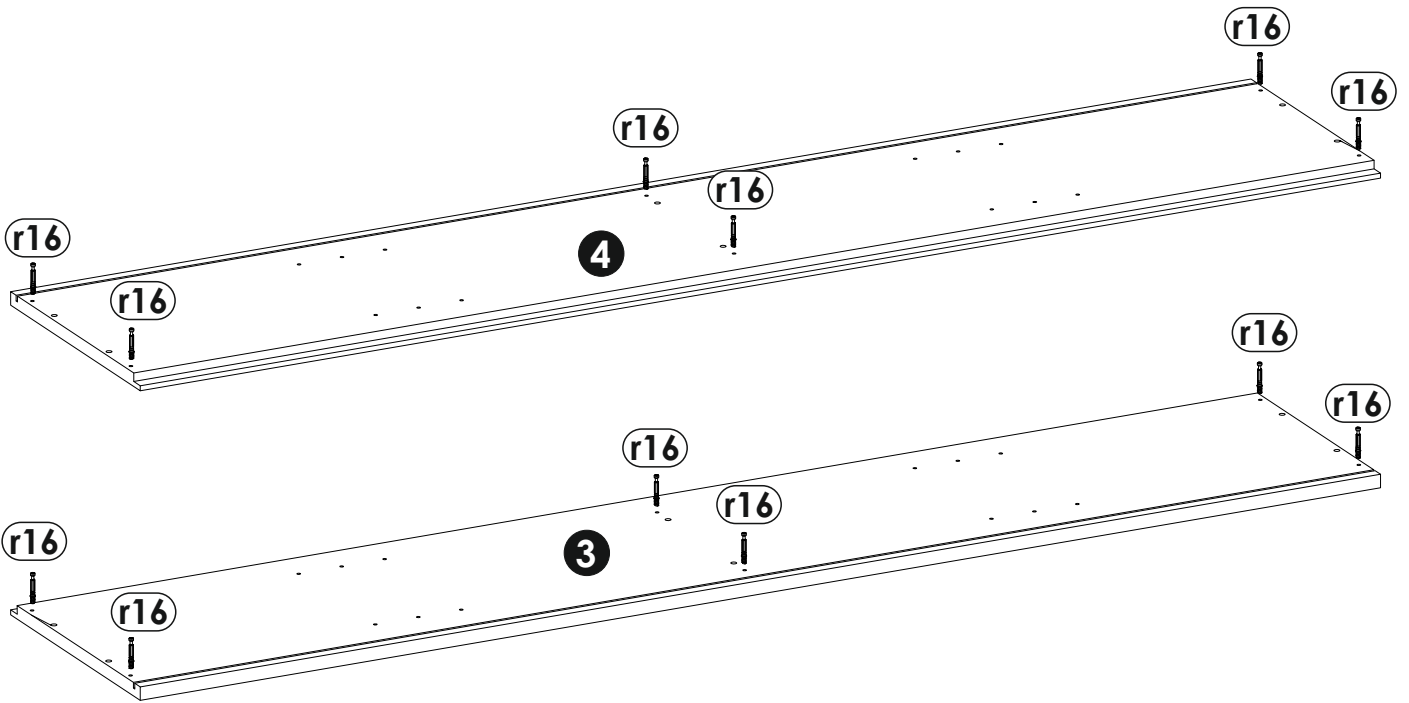
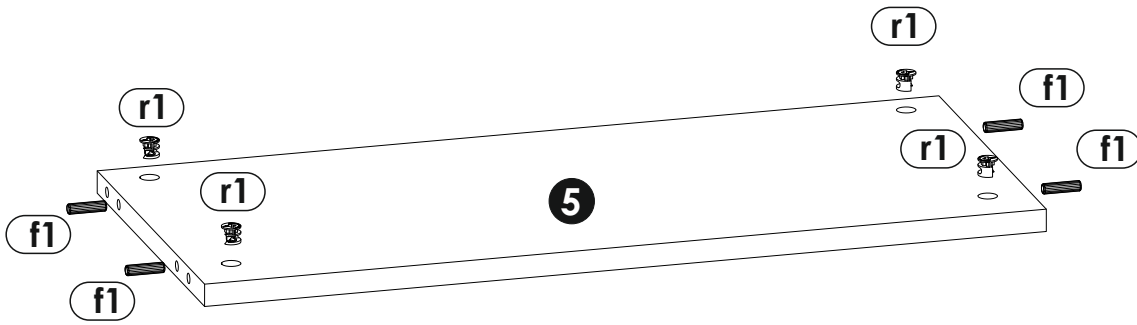
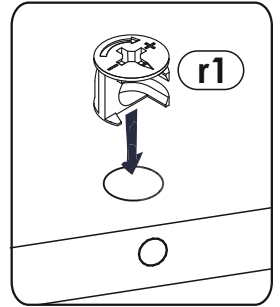
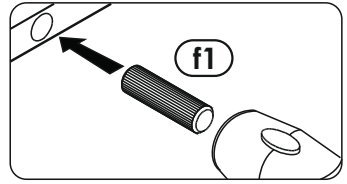
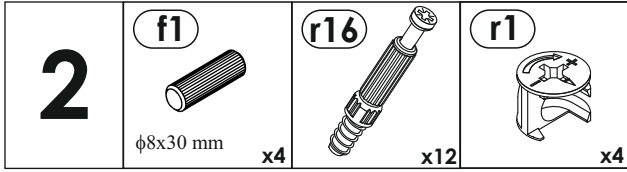
B

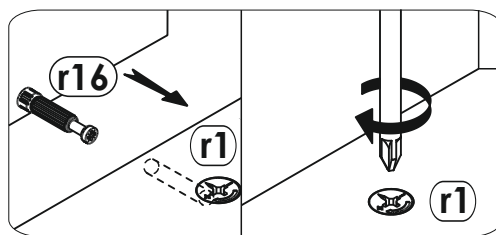
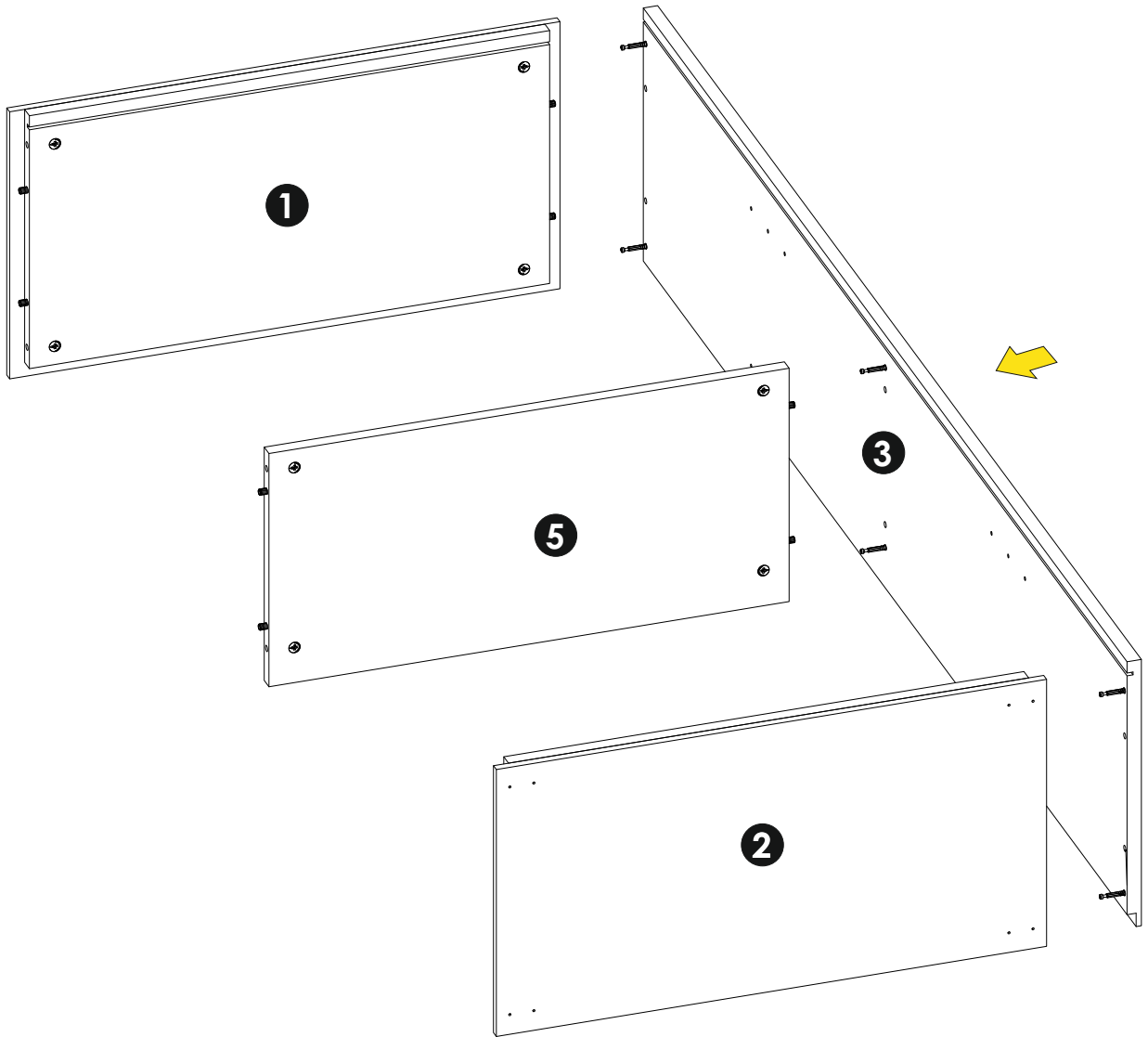
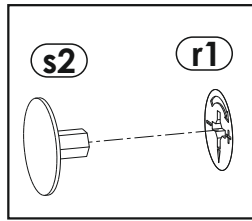
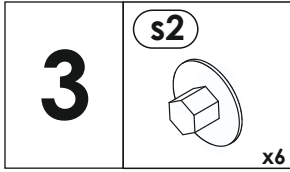
p4 φ3.5x16 mm x4	p70 φ4x20 mm x8	l2 x14	p1 φ3.5x13 mm x2	k40 φ40x60x20 mm x4
-----------------------------------	----------------------------------	----------------------	-----------------------------------	--------------------------------------

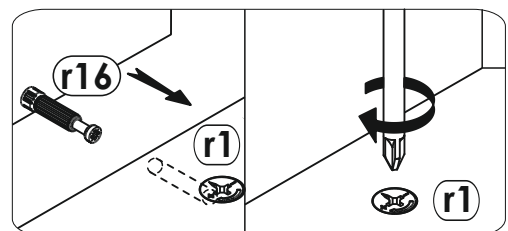
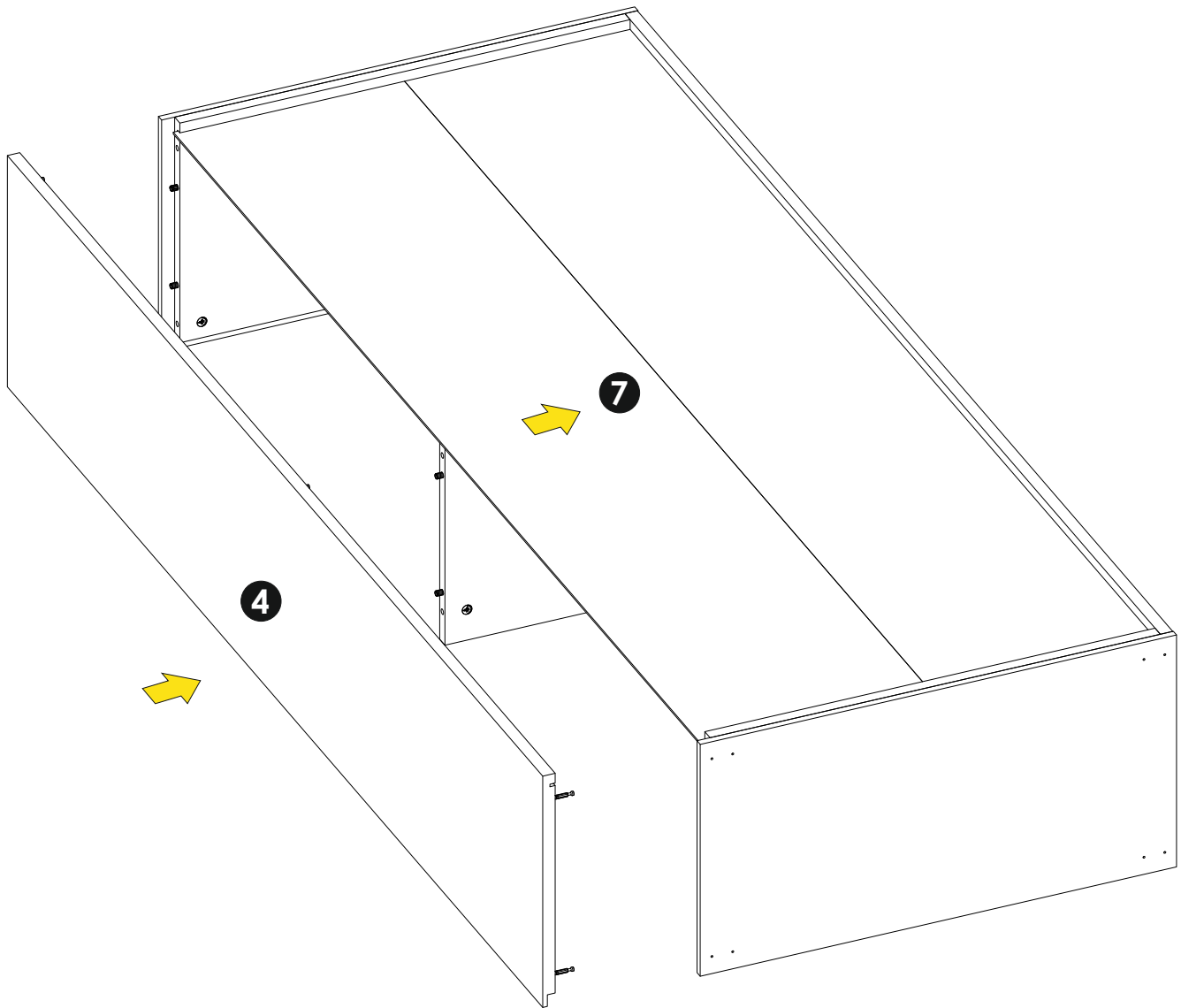
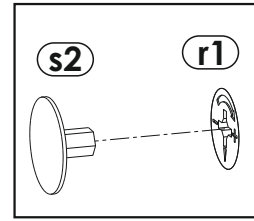
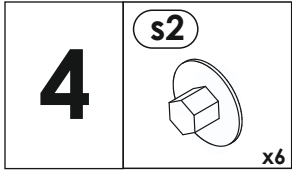
C

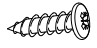

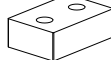
t17 φ8x50 mm x1	n14 x1
----------------------------------	----------------------









5	<p>(p4)</p>  <p>φ3.5x16 mm</p> <p>x4</p>	<p>(p70)</p>  <p>φ4x20 mm</p> <p>x8</p>	<p>(k40)</p>  <p>φ40x60x20 mm</p> <p>x4</p>
----------	---	--	--

