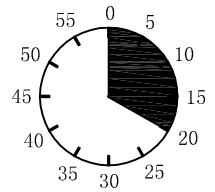
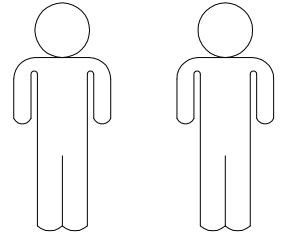
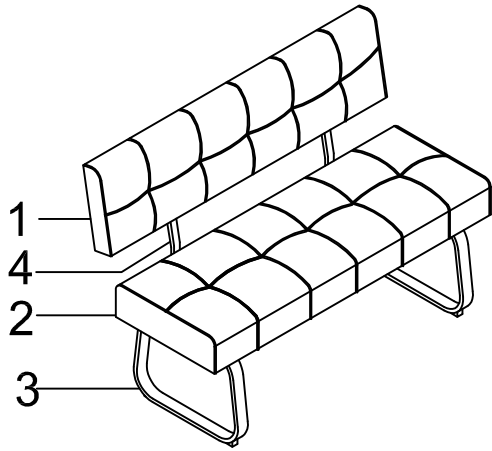


Luise 1

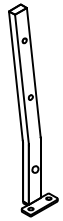
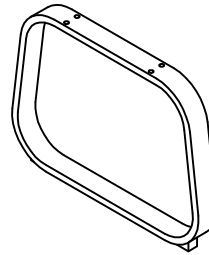
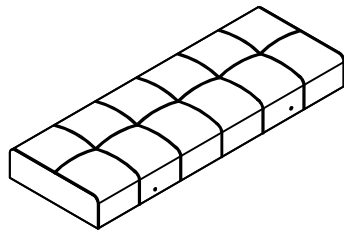
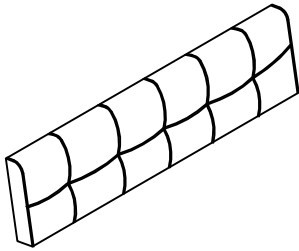


1

2

3

4



1	1x
2	1x
3	2x
4	2x

A

M8*35



12X

B

M8*18



4X

C

M8*40



2X

D

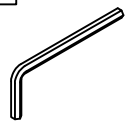
Ø18*Ø8*1.5



18X

E

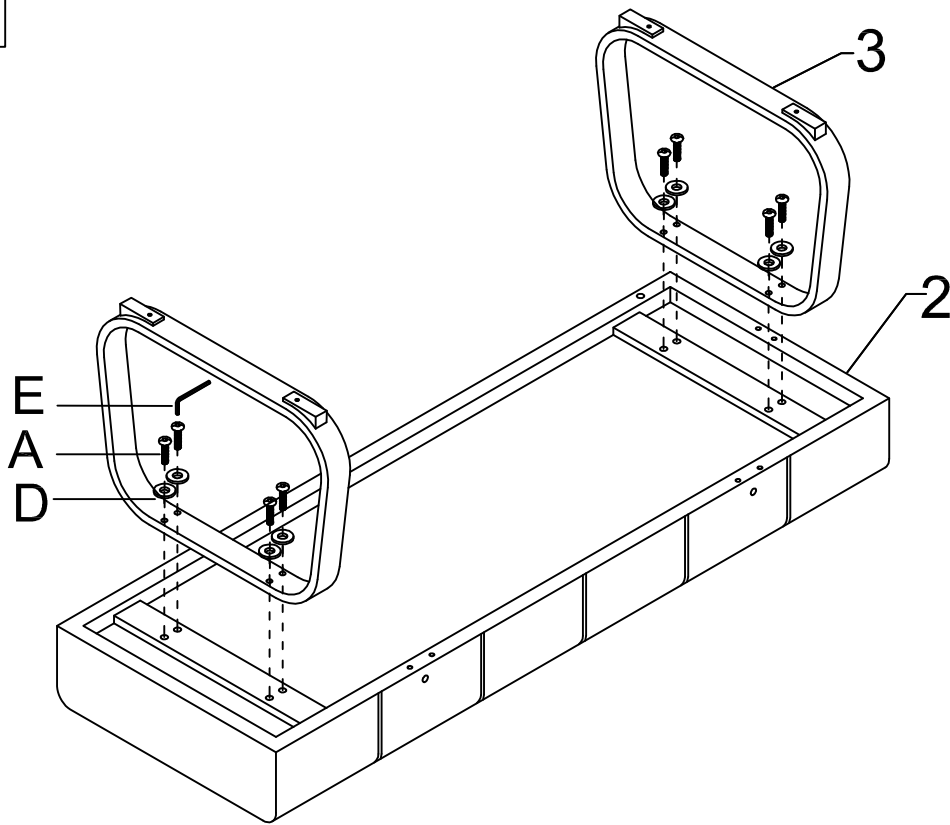
5mm

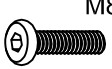





1X

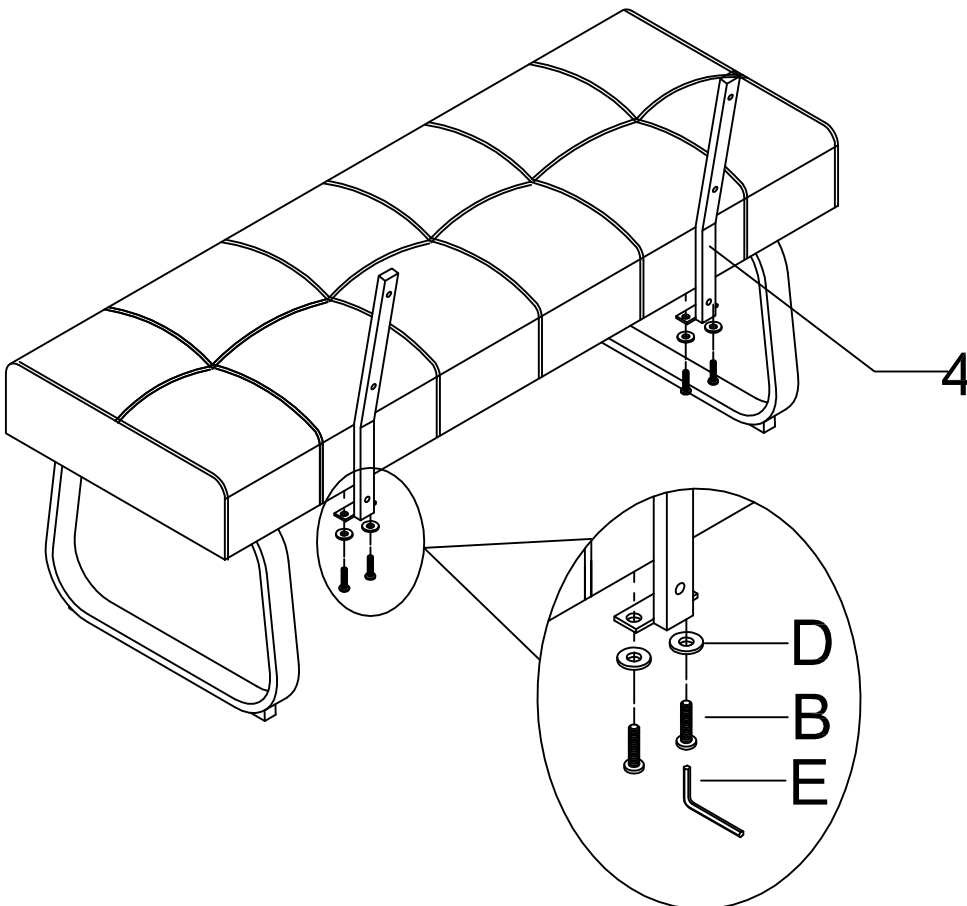
I.

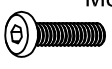


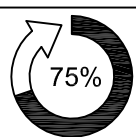
1.



A	 M8*35 8X
D	 Ø18*Ø8*1.5 8X
E	 5mm 1X
 100%	

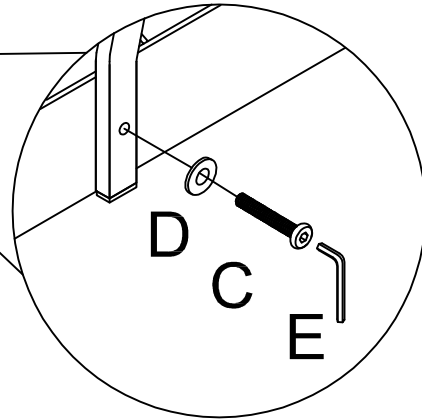
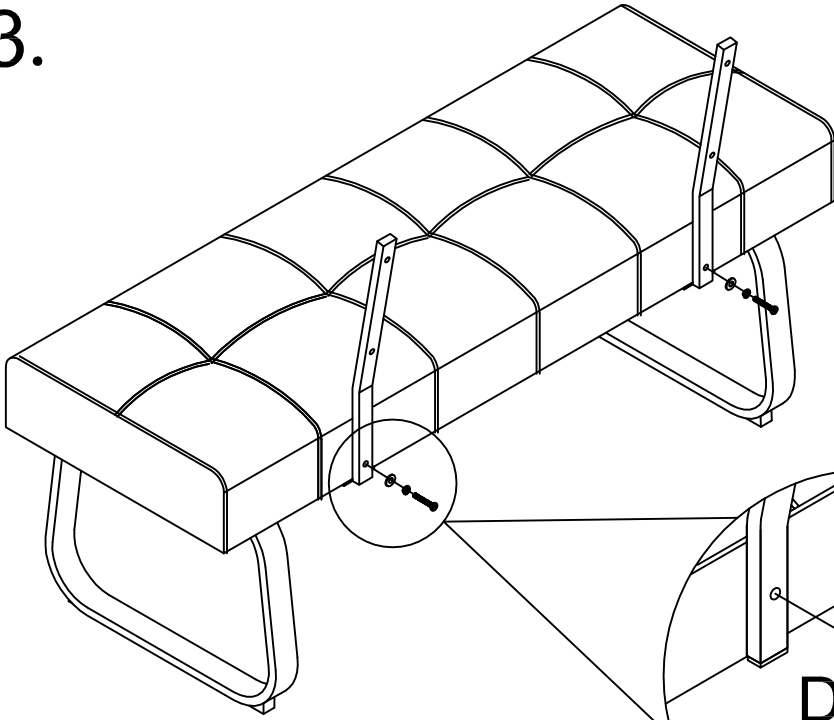
2.

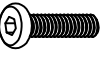





B	 M8*18 4X
D	 Ø18*Ø8*1.5 4X
E	 5mm 1X
 75%	

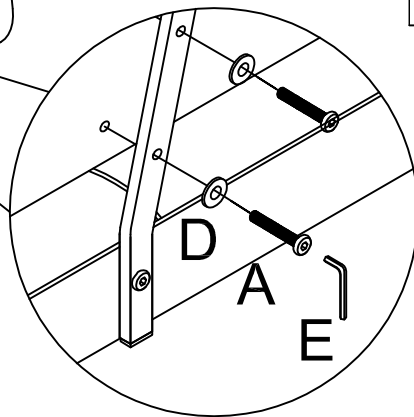
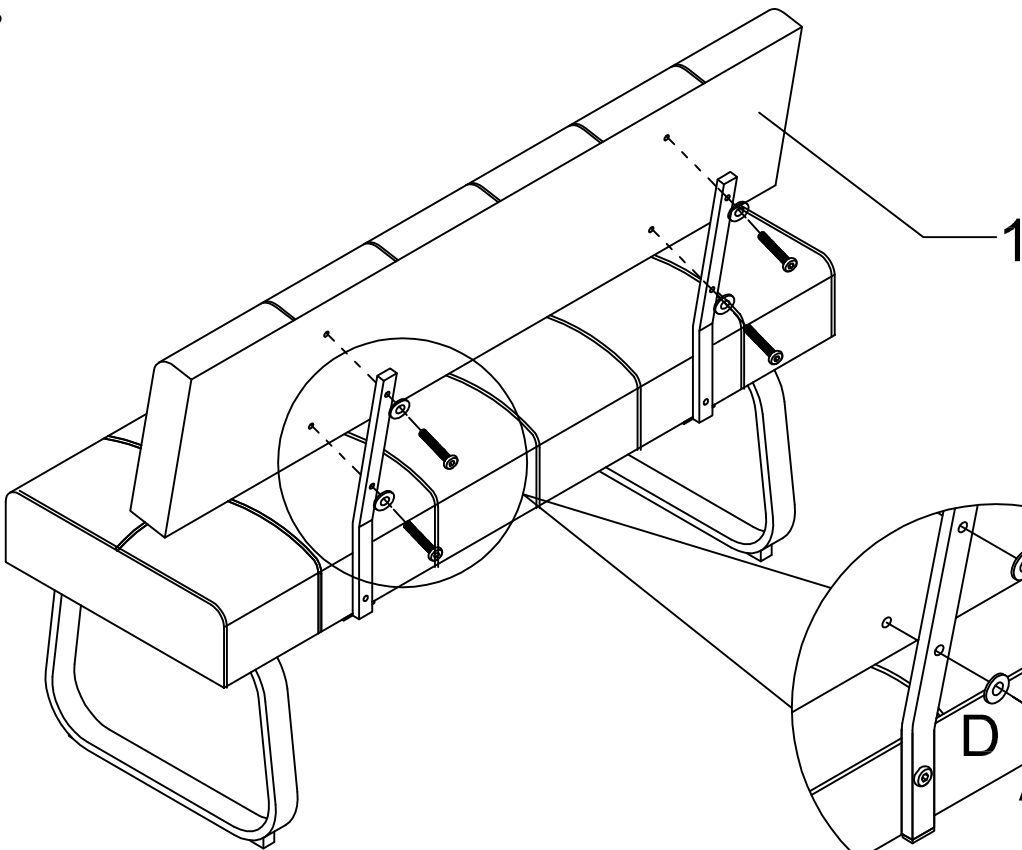
II.





3.



- C  M8*40
2X
- D  Ø18*Ø8*1.5
2X
- E  5mm
1X
- 


4.



- A  M8*35
4X
- D  Ø18*Ø8*1.5
4X
- E  5mm
1X
- 

III.

5.

E 5mm
 1X

