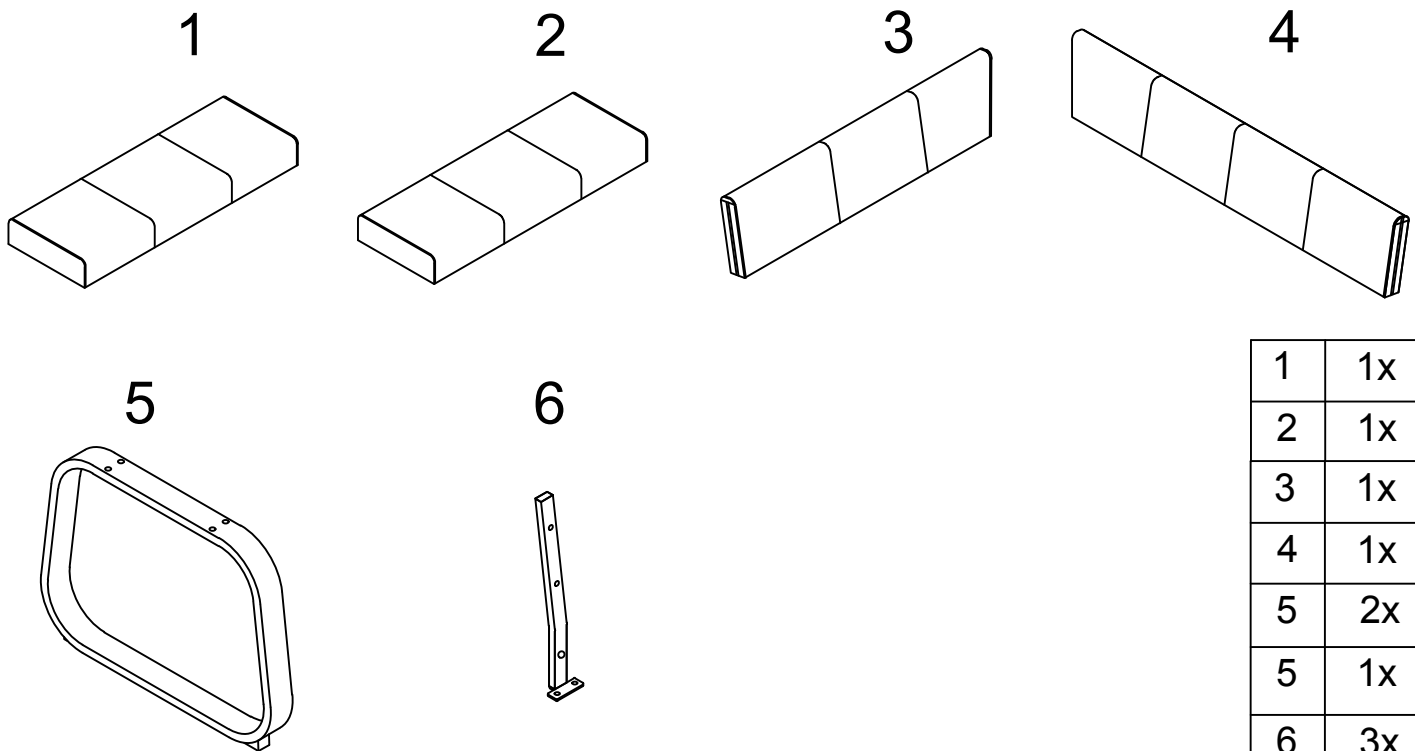
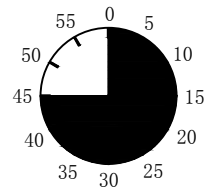
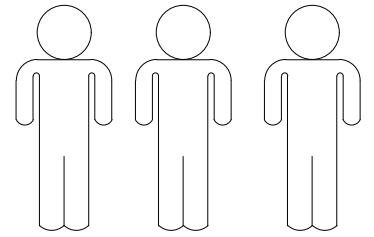
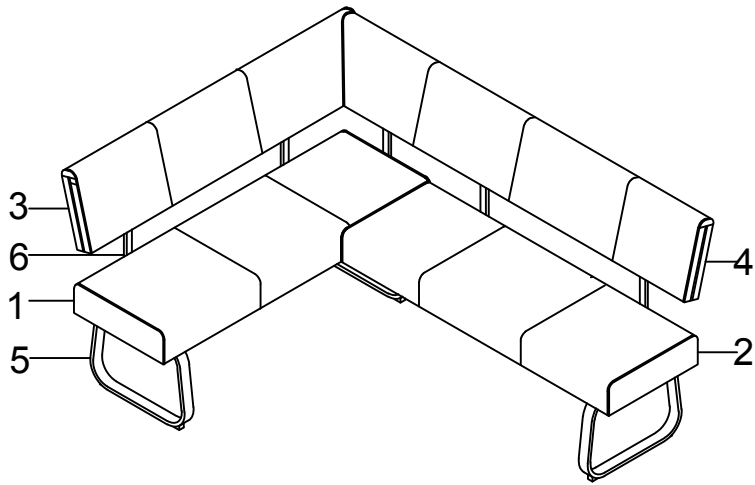

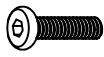



# OLGA R





		
1	1x	2/3
2	1x	3/3
3	1x	1/3
4	1x	1/3
5	2x	2/3
5	1x	3/3
6	3x	2/3
6	2x	3/3

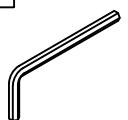
 3/3

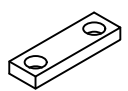
**A** M8\*35  
  
 22X

**B** M8\*18  
  
 14X

**C** M8\*40  
  
 5X

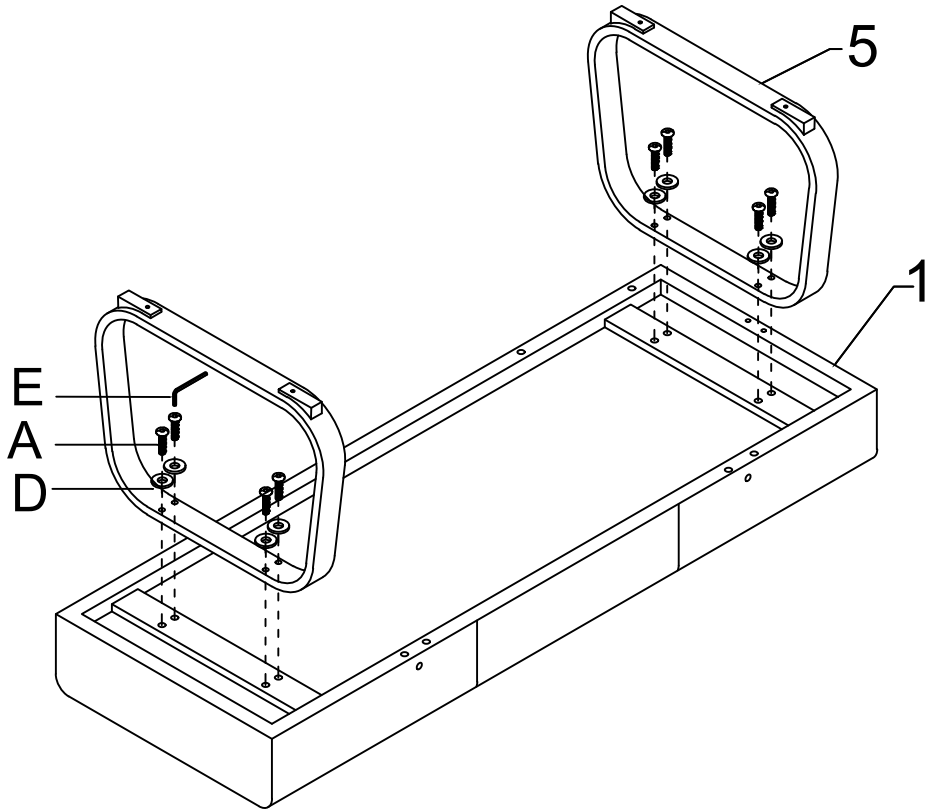
**D** Ø18\*Ø8\*1.5  
  
 41X

**E** 5mm  
  
 1X

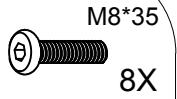
**F**  
  
 2X

I.

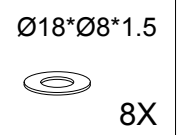
1.



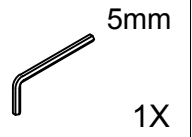
A



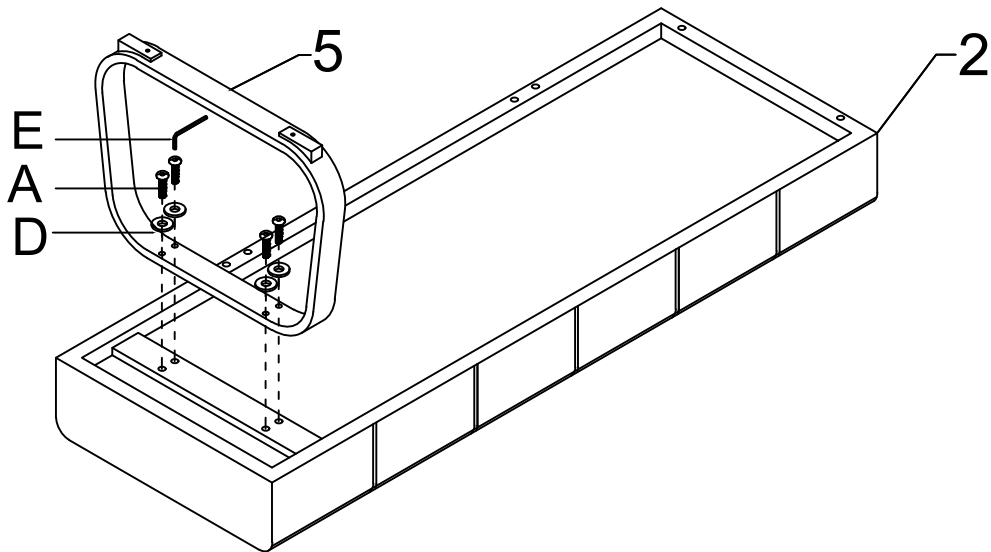
D



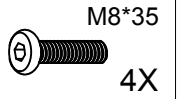
E



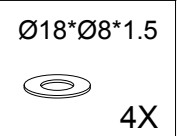
2.



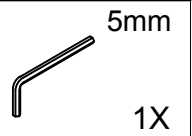
A



D

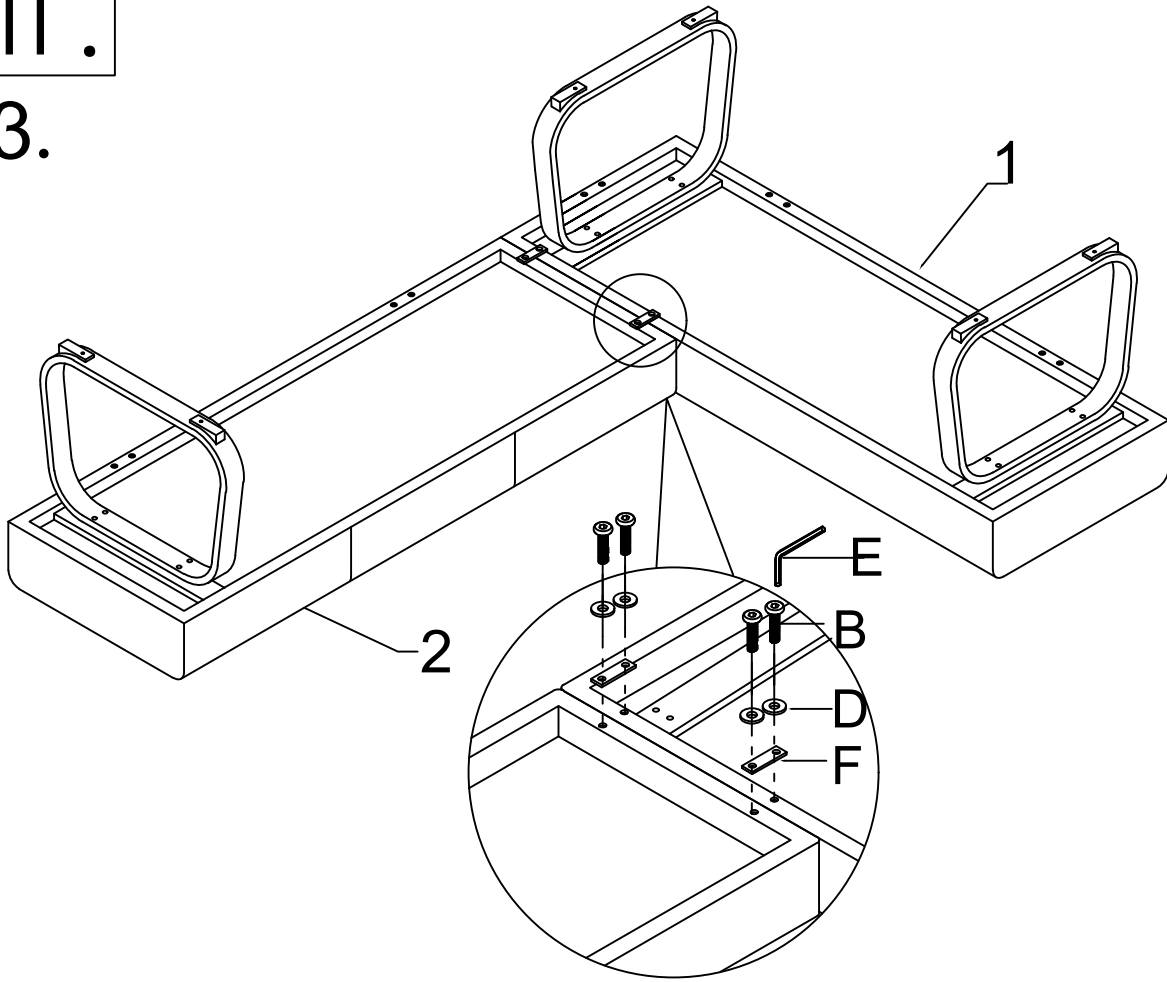



E



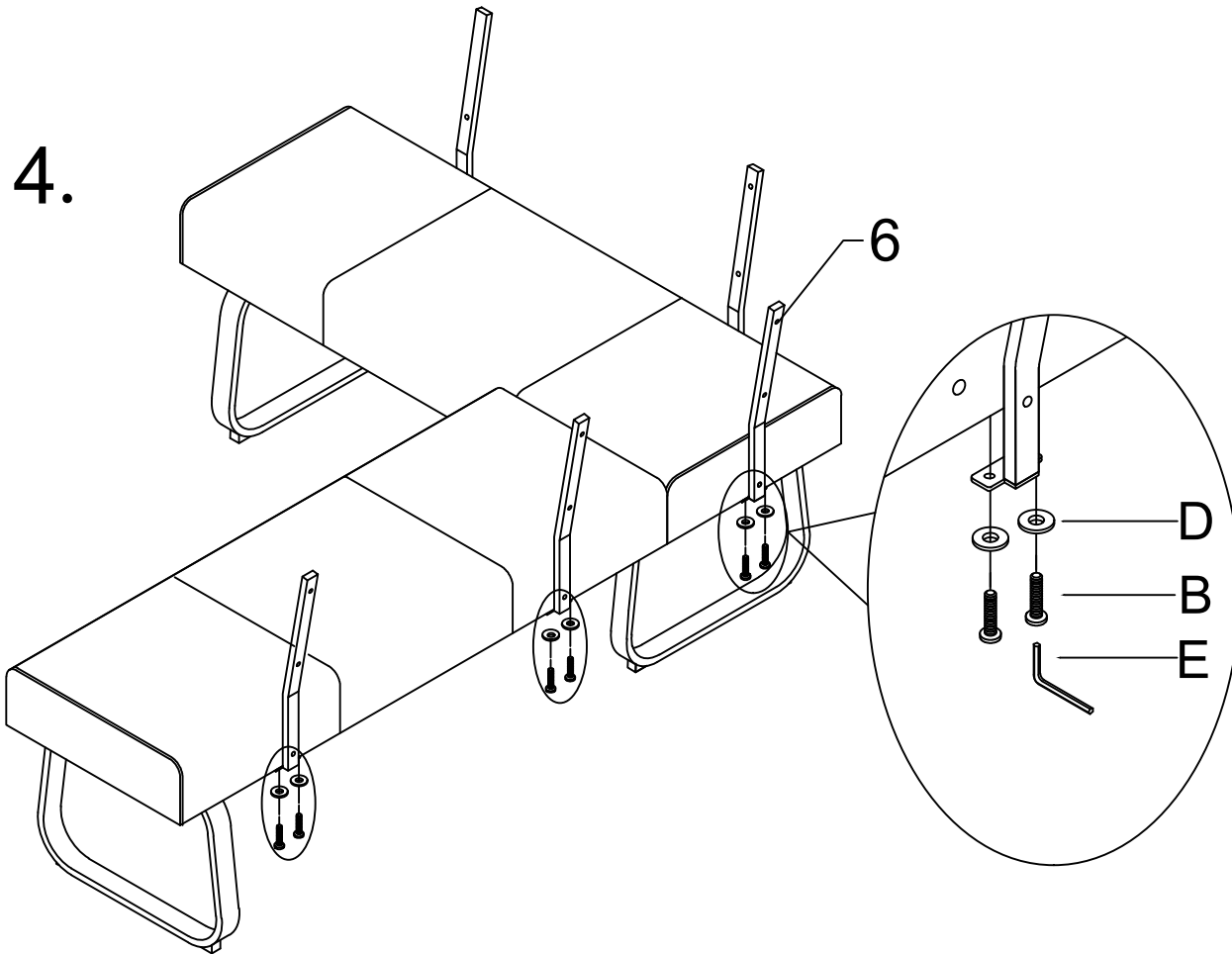
II.


3.



- B** M8\*18  
4X
  - D** Ø18\*Ø8\*1.5  
4X
  - E** 5mm  
1X
  - F**  
2X
- 

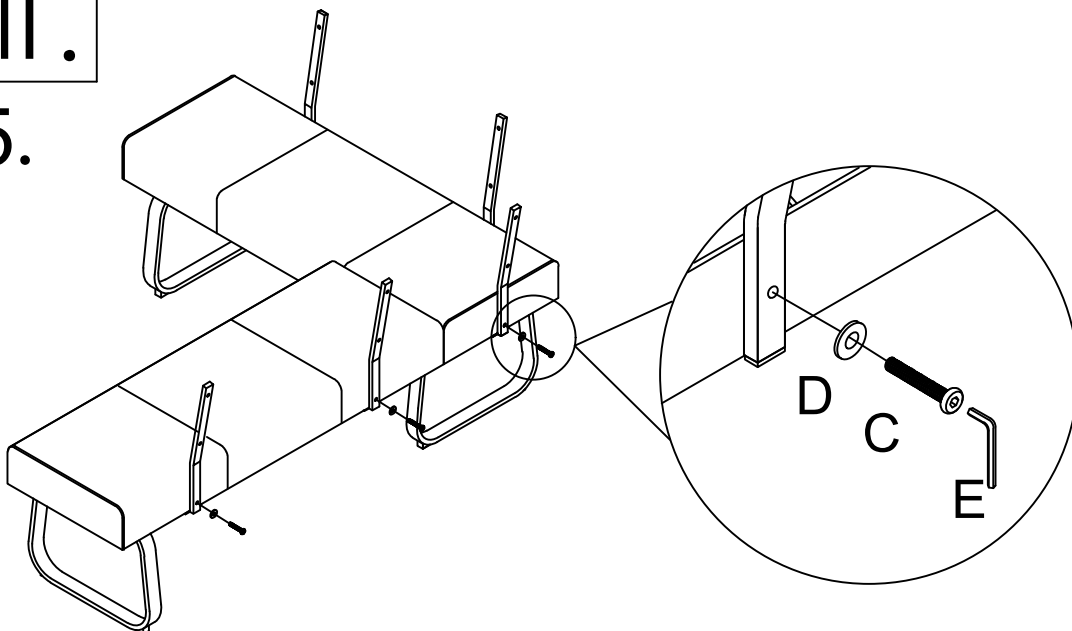
4.



- B** M8\*18  
10X
  - D** Ø18\*Ø8\*1.5  
10X
  - E** 5mm  
1X
- 

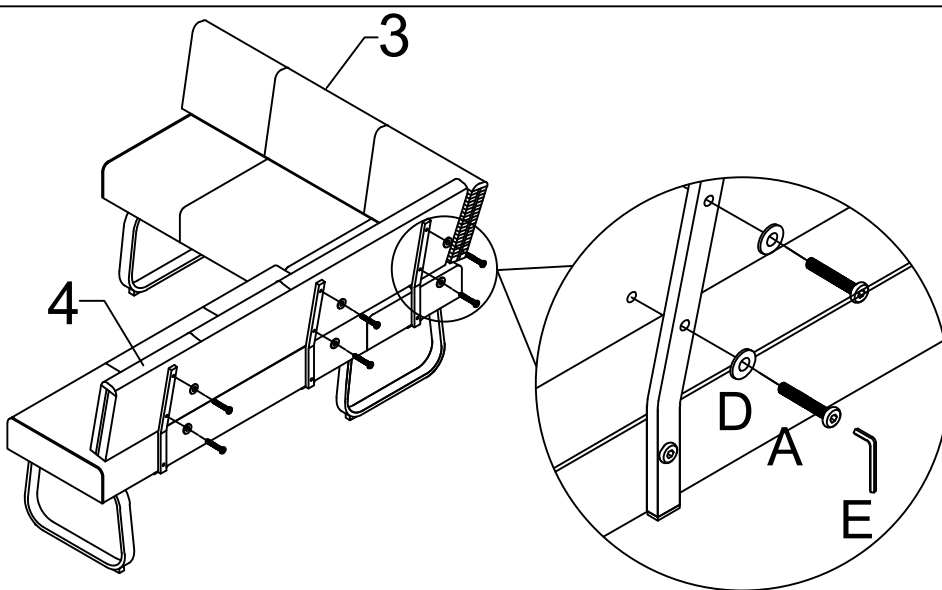
# III.

## 5.



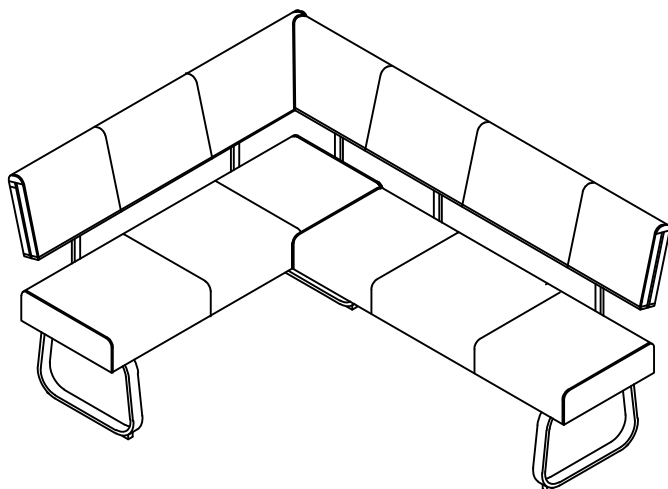
- C** M8\*40  
5X
- D** Ø18\*Ø8\*1.5  
5X
- E** 5mm  
1X
- 75%

## 6.



- A** M8\*35  
10X
- D** Ø18\*Ø8\*1.5  
10X
- E** 5mm  
1X
- 75%

## 7.



- E** 5mm  
1X
- 100%



Séparez les éléments avant de trier