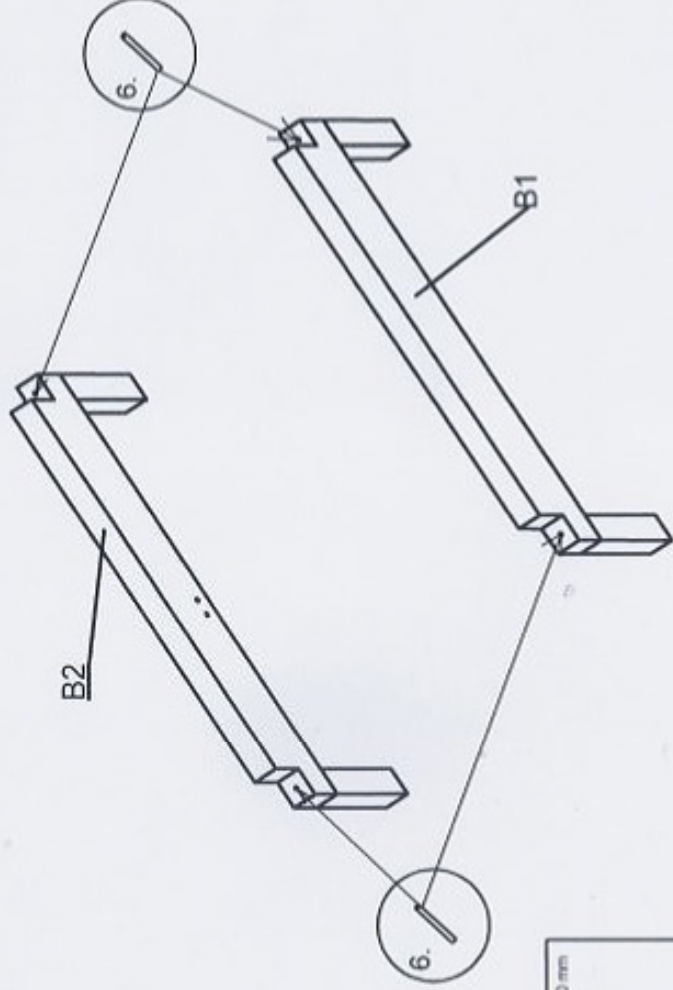


| Anzahl | Bezeichnung |
|--------|------------------|
| 2 | Seitenbalken |
| 1 | Fussbalken |
| 1 | Kopfbalken |
| 2 | Stutzfuss |
| 1 | Mittelsteg |
| 2 | Kopfteil leisten |
| 2 | Kopfteil halter |

| | | | | | | | | | | | |
|-----|--|------|--|-------------|--|--|--|--|--|--|--|
| 1. | | X 2 | | | | | | | | | |
| 2. | | X 4 | | | | | | | | | |
| 3. | | X 2 | | | | | | | | | |
| 4. | | X 4 | | M6 X 50 | | | | | | | |
| 5. | | X 24 | | 4 X 20 | | | | | | | |
| 6. | | X 4 | | Ø12 X 80 mm | | | | | | | |
| 7. | | X 4 | | M5 X 15 | | | | | | | |
| 8. | | X 1 | | | | | | | | | |
| 9. | | X 4 | | | | | | | | | |
| 10. | | X 8 | | 5 X 60 | | | | | | | |
| 11. | | X 2 | | Ø10 X 38 | | | | | | | |

2

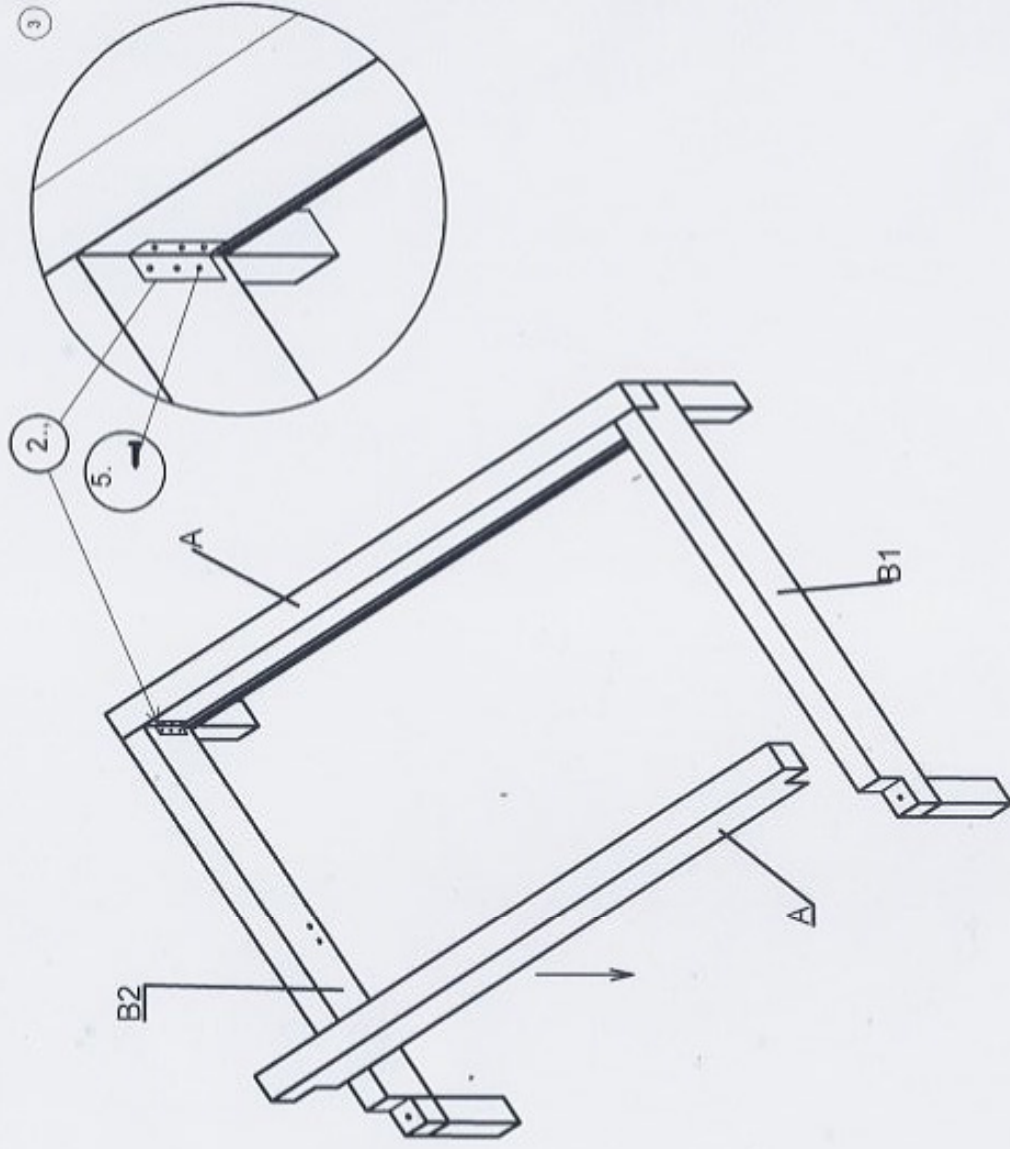


6. Ø12 X 60 mm



X 4

3



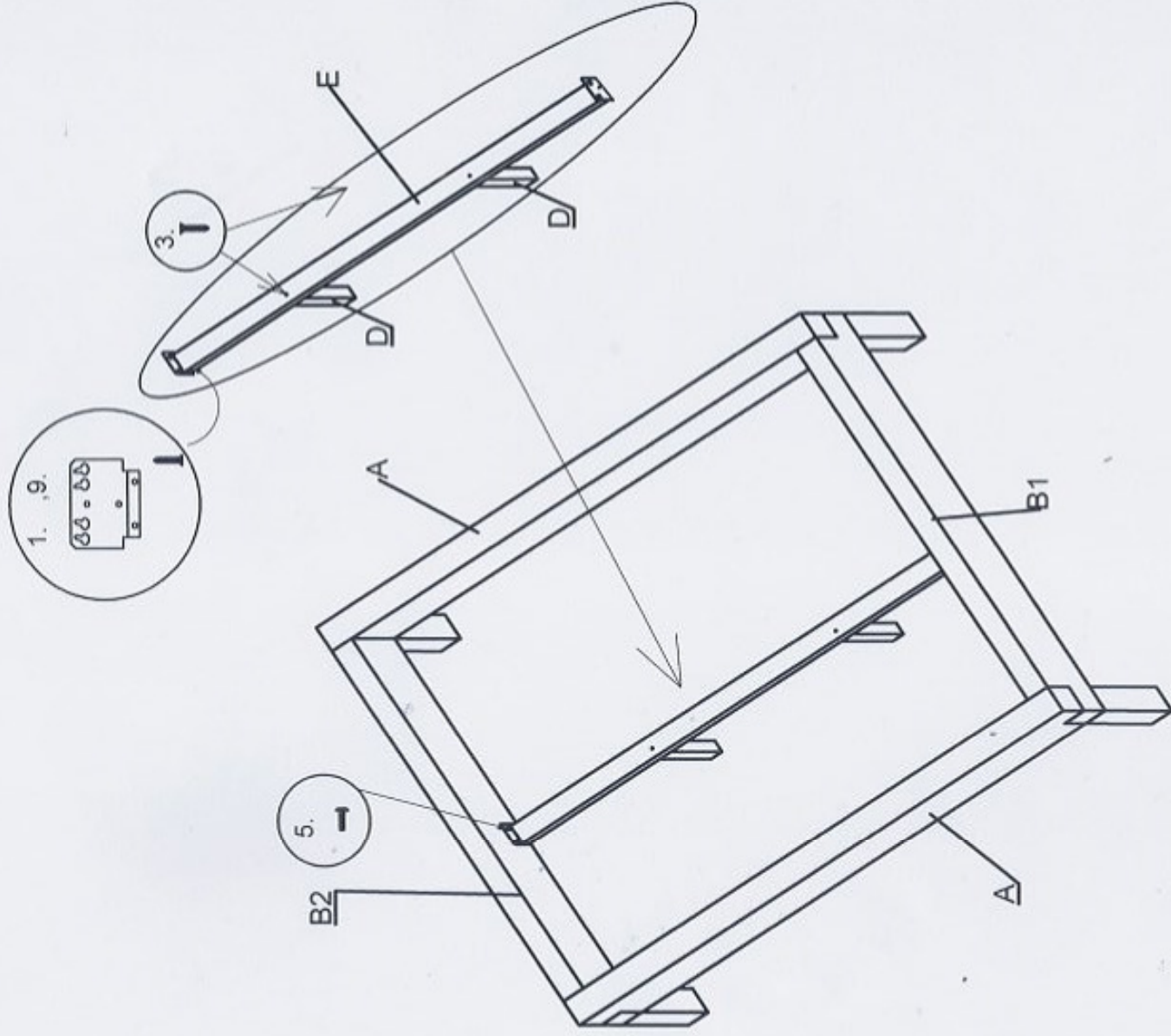
2.


X 4

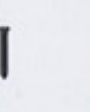
5. 4 X 20



X 24


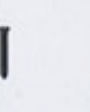
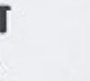
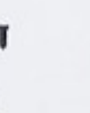


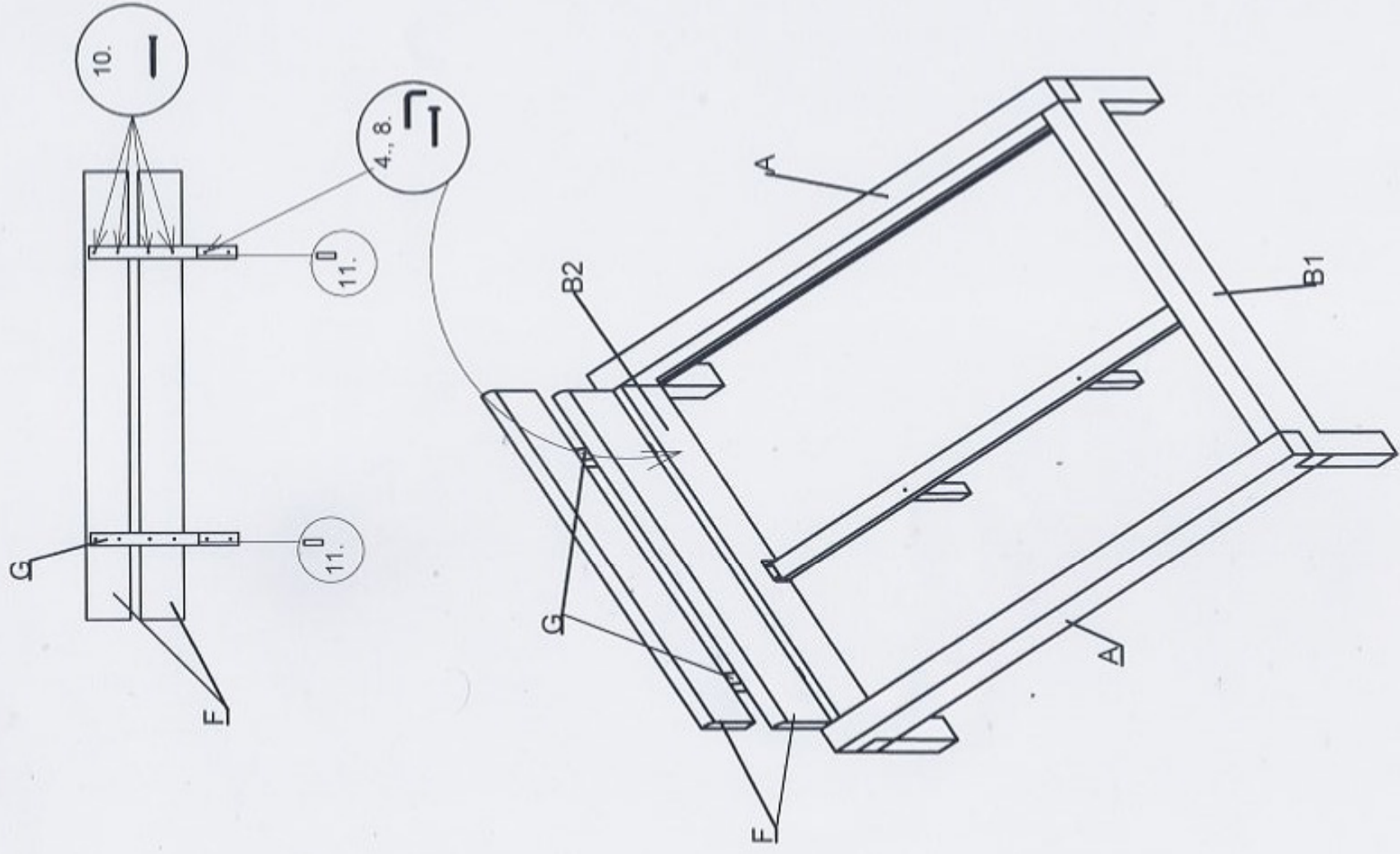
1.  X 2

3.  X 2

5.  X 4

9.  X 4

| | | |
|----|---|-----|
| 1. |  | X 2 |
| 3. |  | X 2 |
| 5. |  | X 4 |
| 9. |  | X 4 |



| | | | |
|-----|----------|---|-----|
| 10. | 5 X 60 | — | X 8 |
| 4. | M6 X 50 | — | X 4 |
| 8. | | ┌ | X 1 |
| 11. | ∅10 X 38 | □ | X 2 |