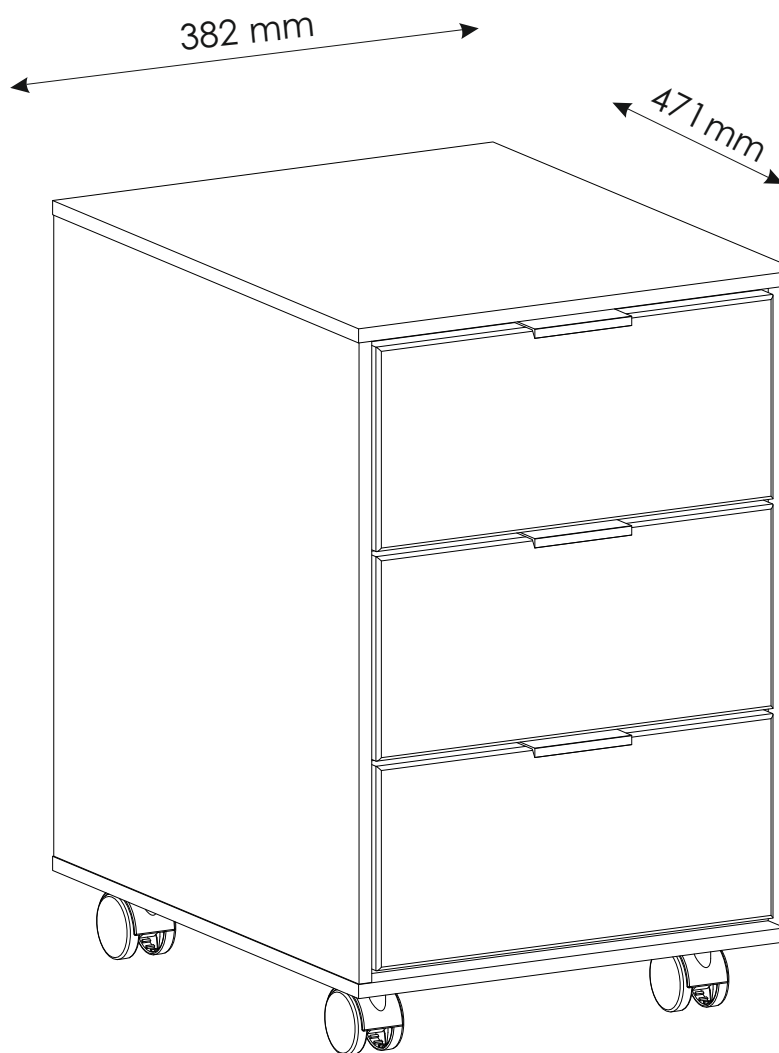
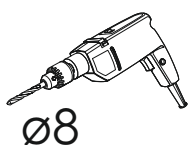
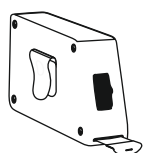
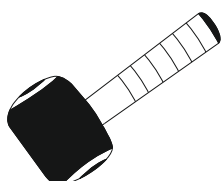
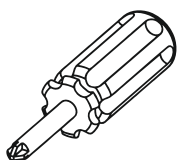
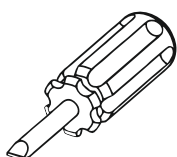
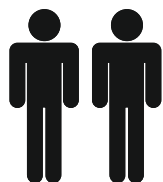




Modell: **DALLAS**

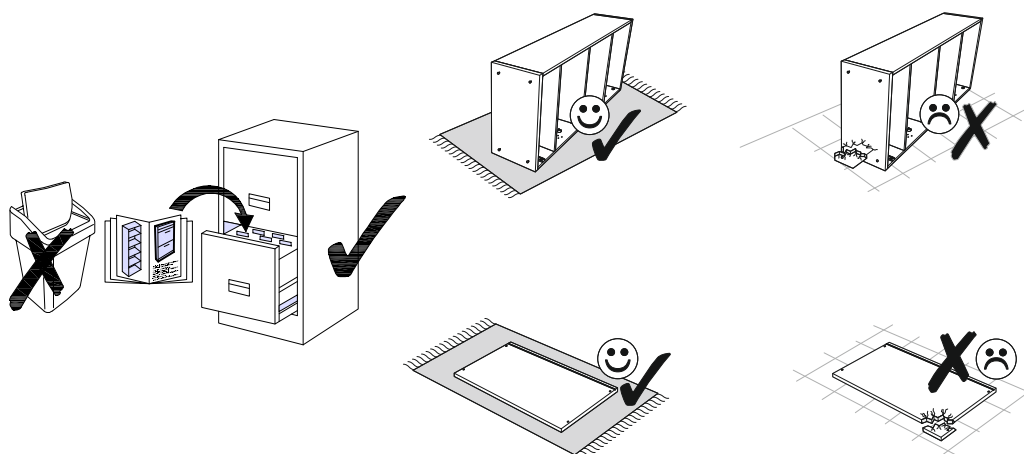
Art. Nr. 14160029/03



585 mm

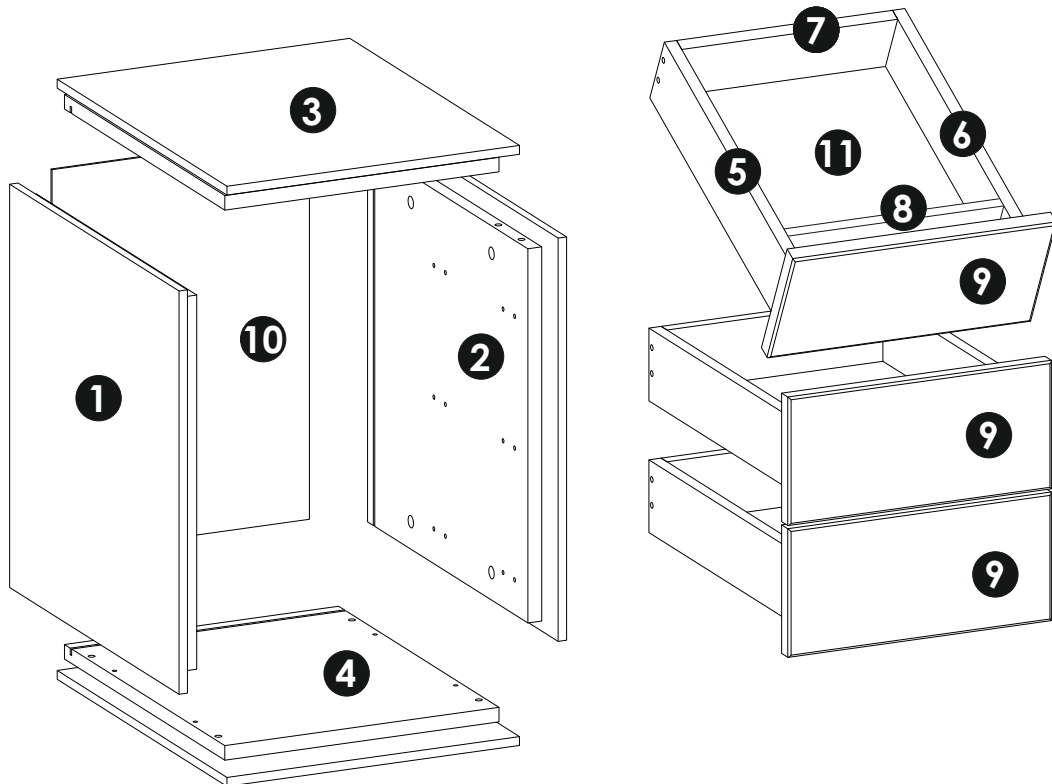
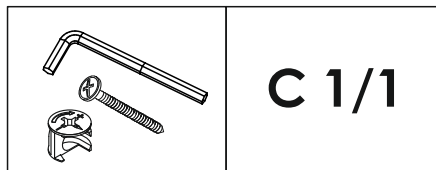
382 mm

471 mm

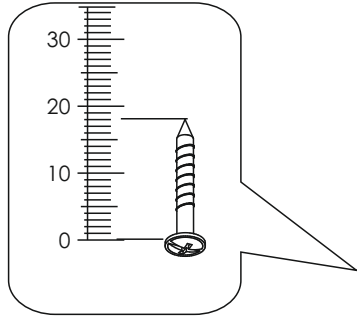
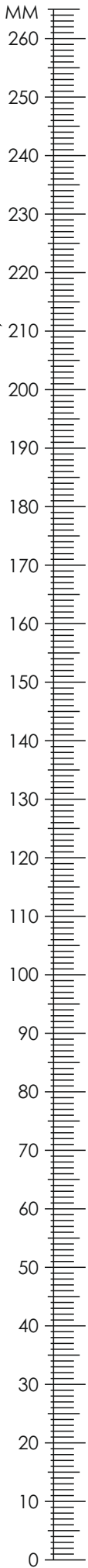


1	499	470	29	x1	1/1
2	499	470	29	x1	1/1
3	382	471	29	x1	1/1
4	382	471	29	x1	1/1
5	400	90	16	x3	1/1
6	400	90	16	x3	1/1
7	282	60	16	x3	1/1
8	282	60	16	x3	1/1
9	344	159	20	x3	1/1

10	477	336	3	x1	1/1
11	292	403	3	x3	1/1



DALLAS Art. Nr. 14160029/03



A

f1 φ8x30 mm x8	r16 x8	r1 x8	s2 x8	o1 x1	o21 x6
---------------------------------	----------------------	---------------------	---------------------	---------------------	----------------------

B

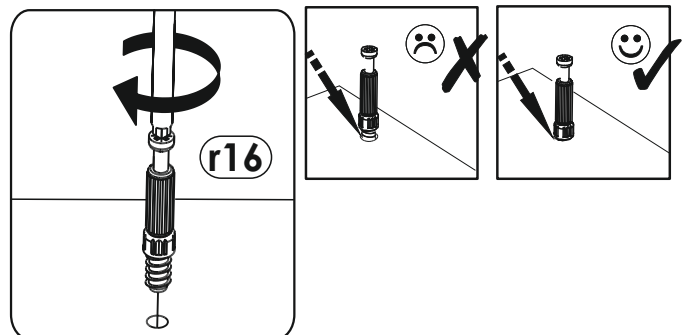
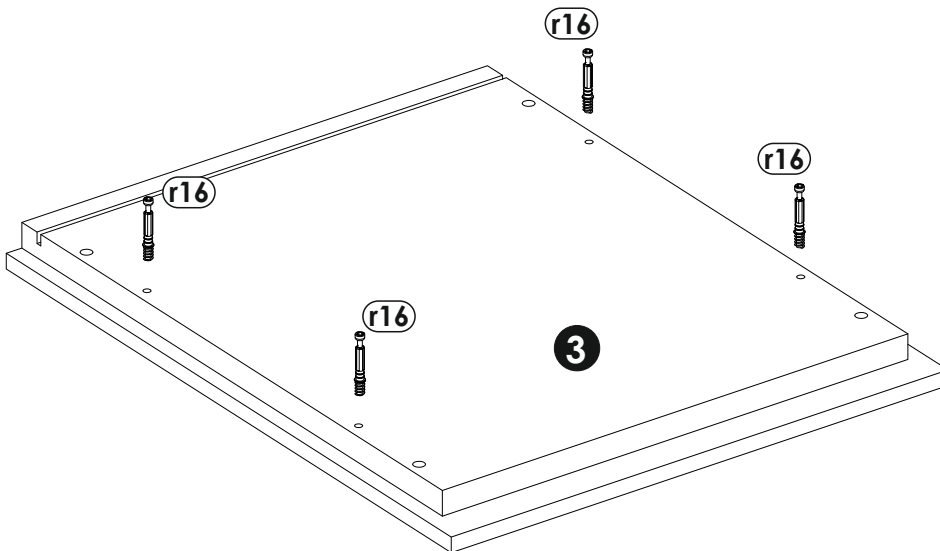
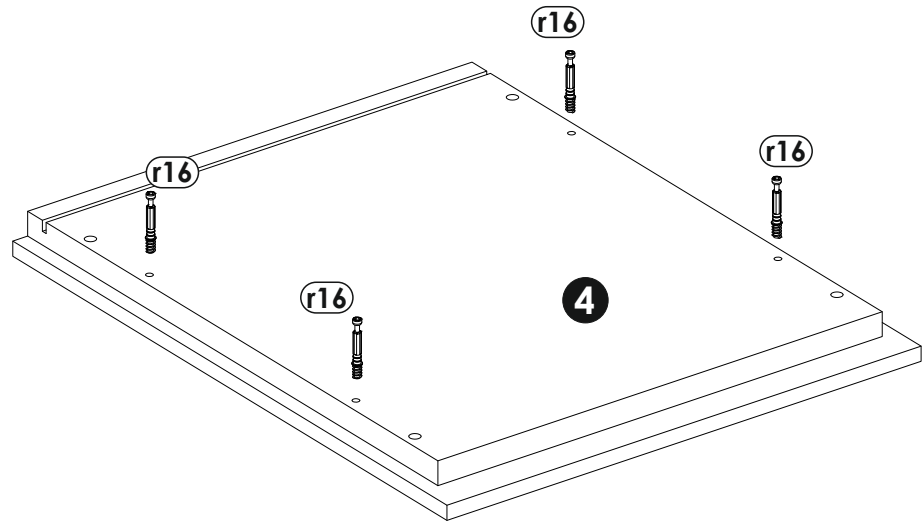
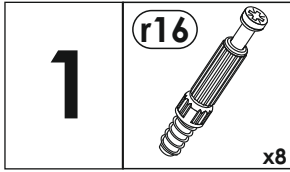
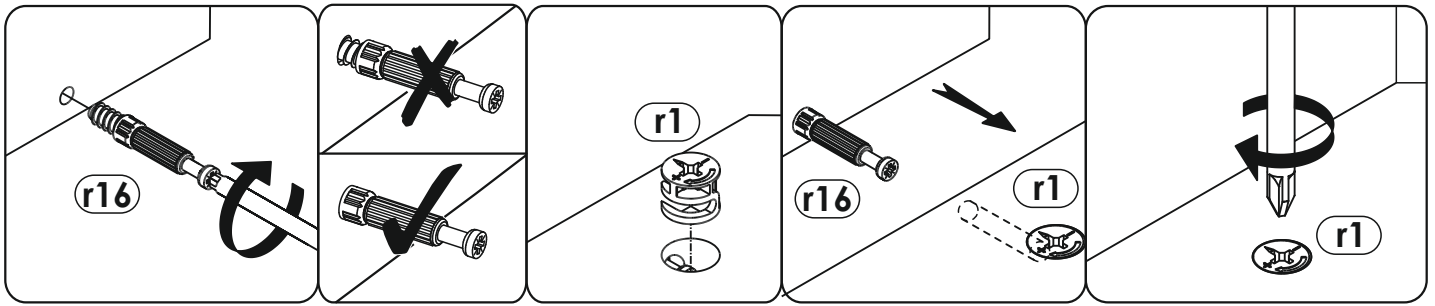
e1 φ6.5x50 mm x24	z1 x1	s1 x24	l2 x3
------------------------------------	---------------------	----------------------	---------------------

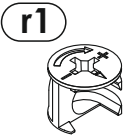

C

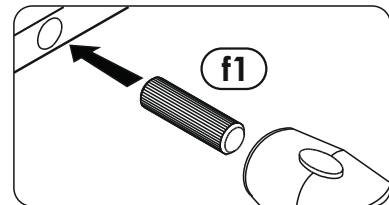
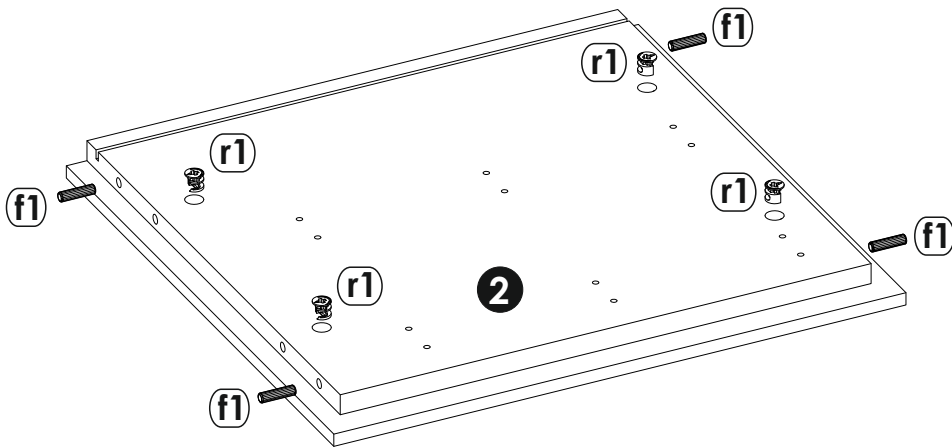
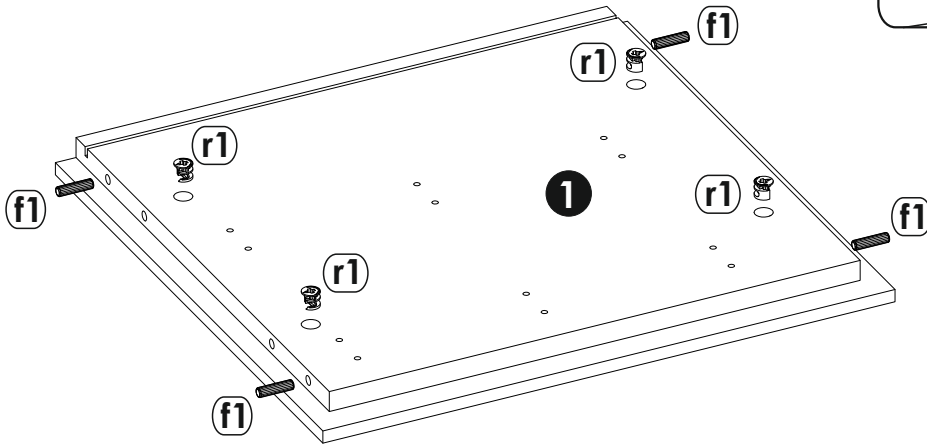
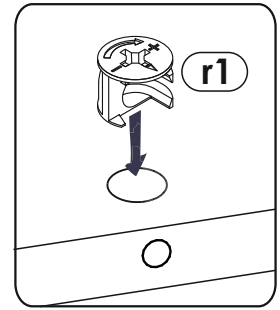
c8 x3	k40 x4	p1 φ3.5x13 mm x22	p8 φ3.5x30 mm x18	e3 φ6.3x13 mm x24	p4 φ3.5x16 mm x6
---------------------	----------------------	------------------------------------	------------------------------------	------------------------------------	-----------------------------------

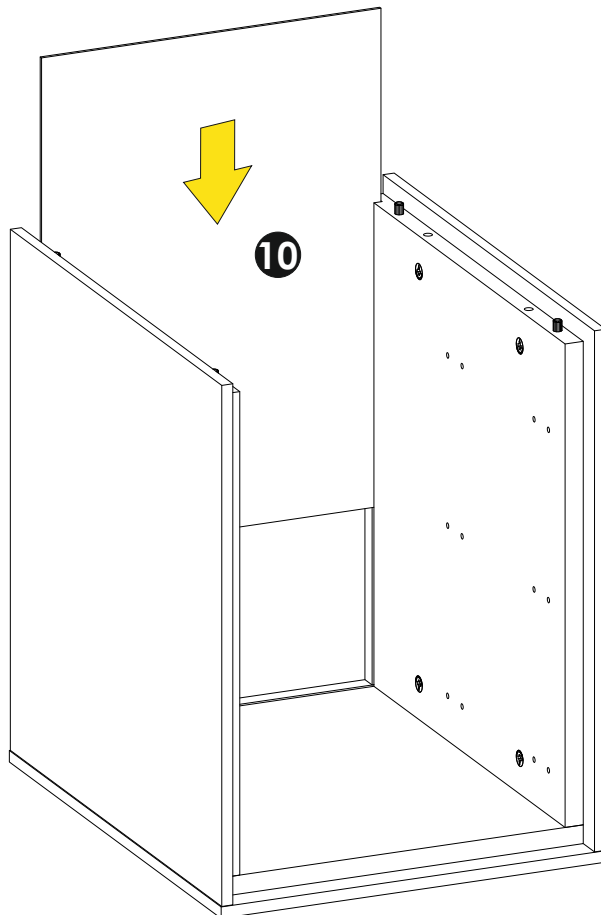
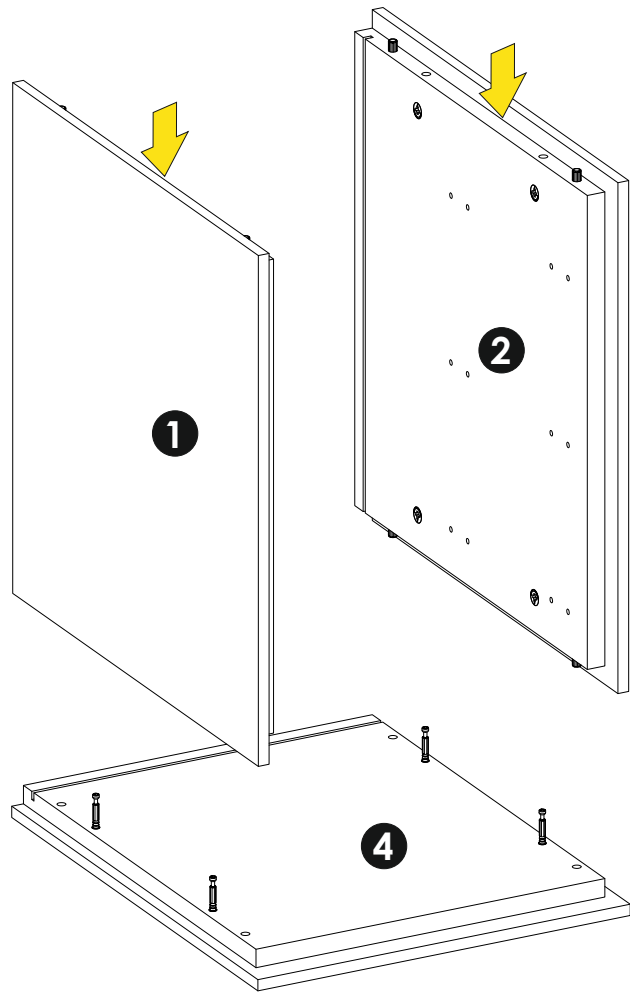
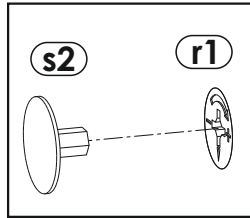
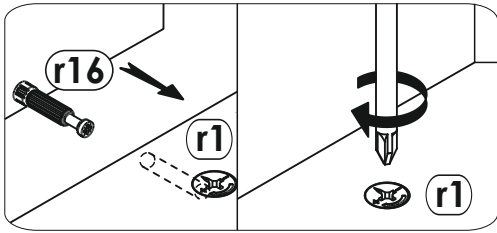
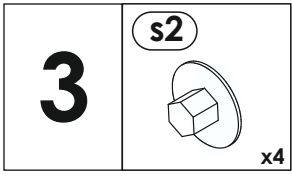
W85

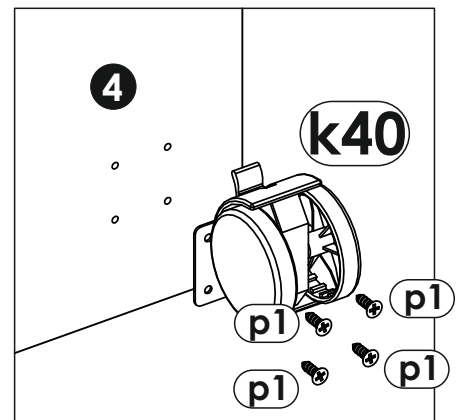
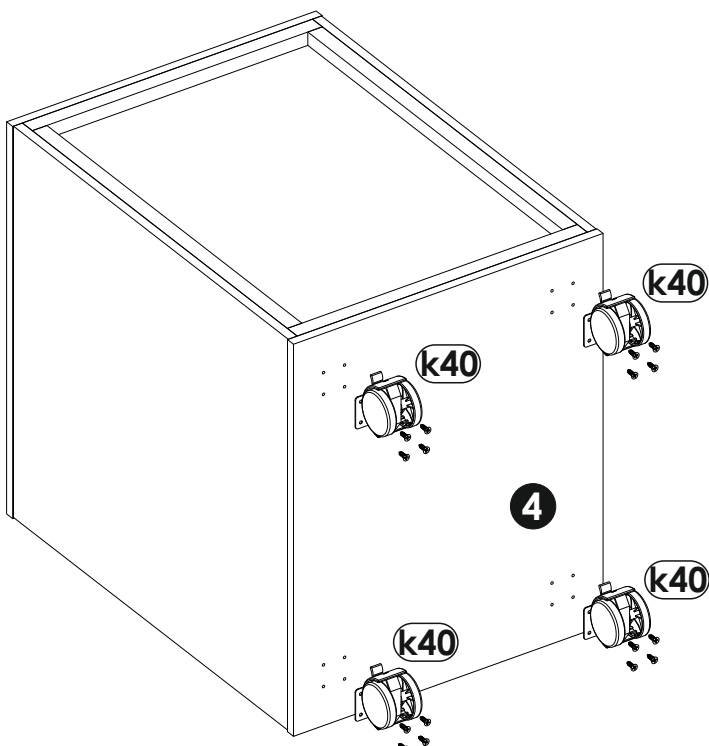
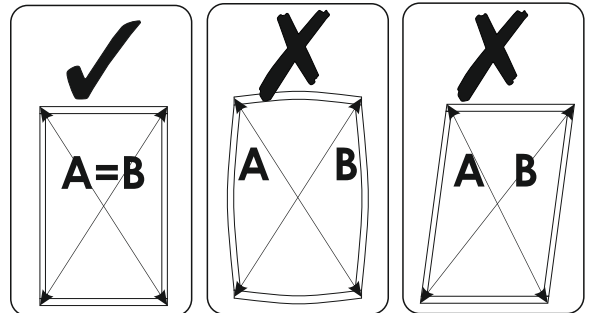
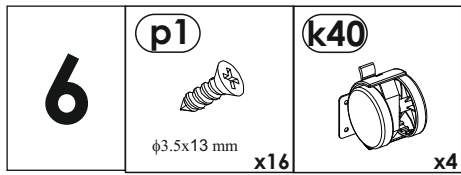
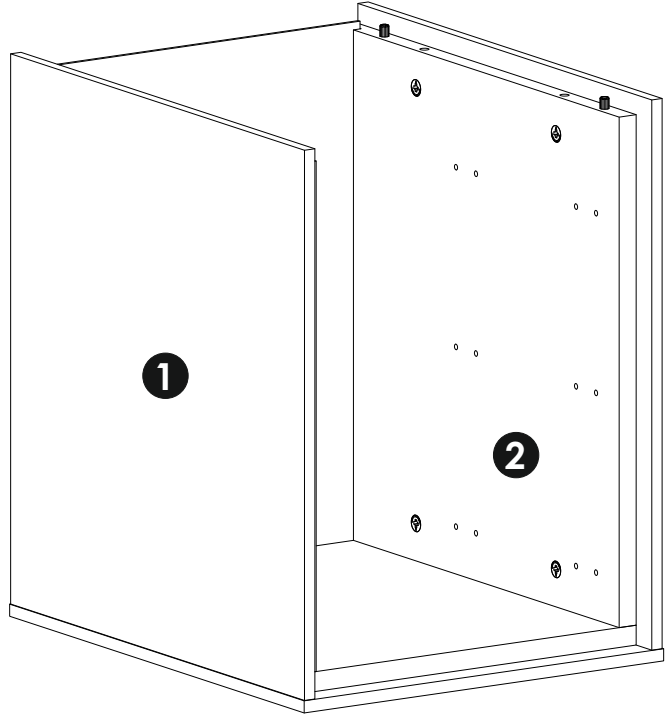
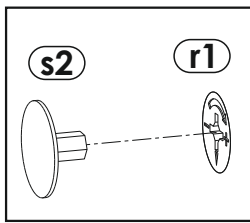
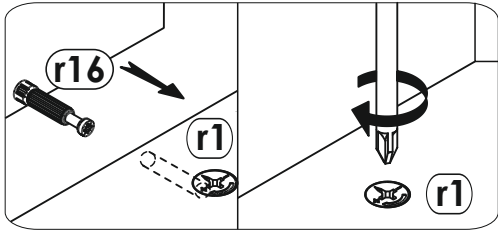
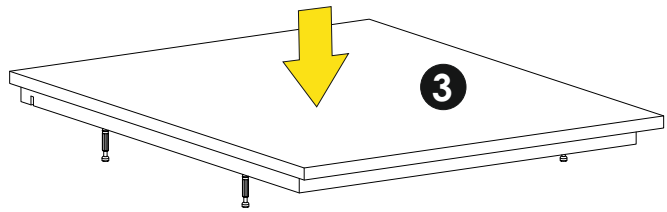
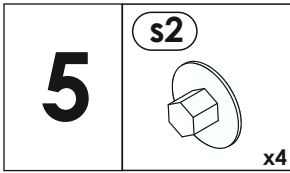
x3



2	 r1 x8	 f1 $\phi 8 \times 30 \text{ mm}$ x8
----------	---	--







7	e1 φ6.5x50 mm x24	z1 x1	s1 x24	p4 φ3.5x16 mm x6
	c8 x3	p1 φ3.5x13 mm x6	p8 φ3.5x30 mm x18	

A

e1 **z1**

c8 x3	p1 φ3.5x13 mm x6	p8 φ3.5x30 mm x18
-----------------	----------------------------	-----------------------------

B

s1 **e1**

l2
x3

5

e1 **s1**

6

e1 **s1**

7 **x3**

e1 **s1**

c8 **p1**

9

p8 **8** **p8** **p8** **p8**

x3

11

l2 **p4** **p4** **7**

x3

l2

l2

