



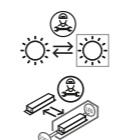
Paulmann

DE Sicherheits Hinweise  
EN Safety Instructions  
FR Consigne de sécurité

1, 2, 3, 4, 5, 6, 8, 11, 12, 16, 19  
20, 22, 23, 24, 29, 31, 32, 33, 34



ENERGY  
2019/2015



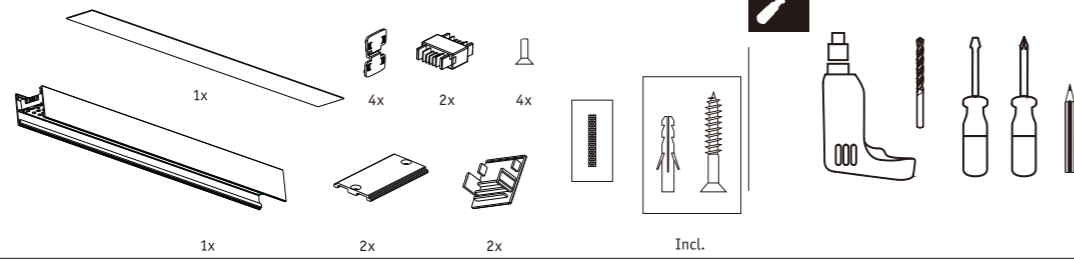
www.paulmann.com/symbols

Paulmann Licht GmbH  
Quezinger Feld 2  
31832 Springe  
Germany



www.paulmann.com

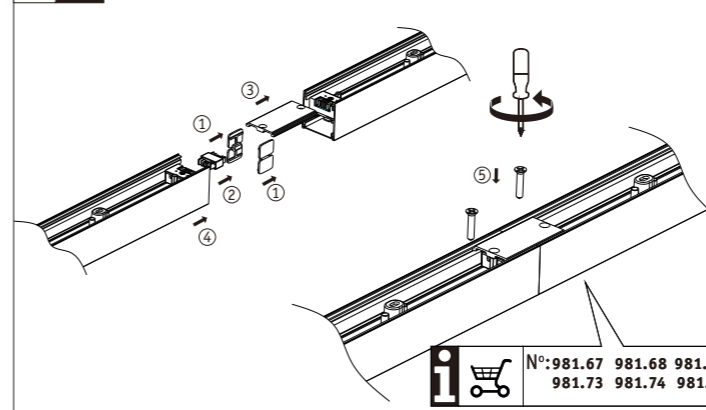
N°: 982.04  
982.05



(+MA326) PSU 11/24

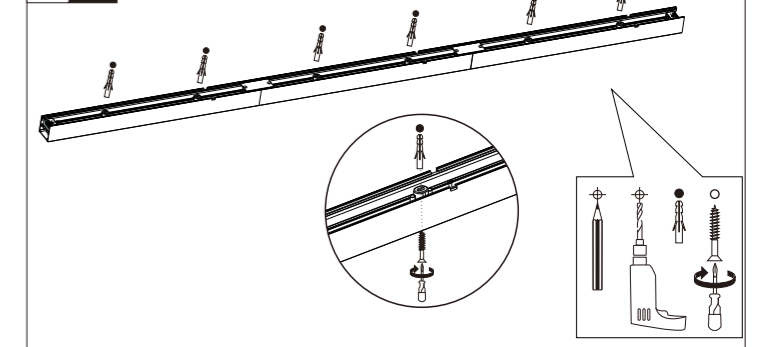


A1 A2



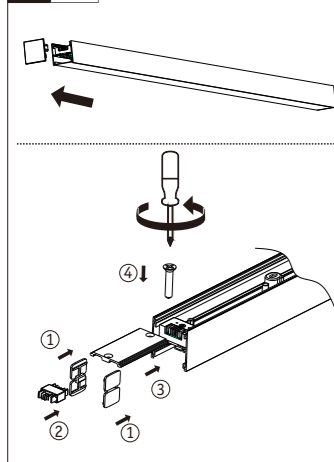
N°: 981.67 981.68 981.69  
981.73 981.74 981.75

B1 B2

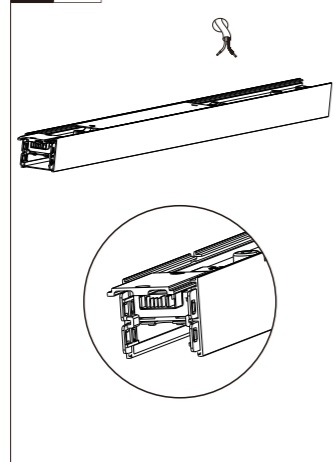


Requires 3 people

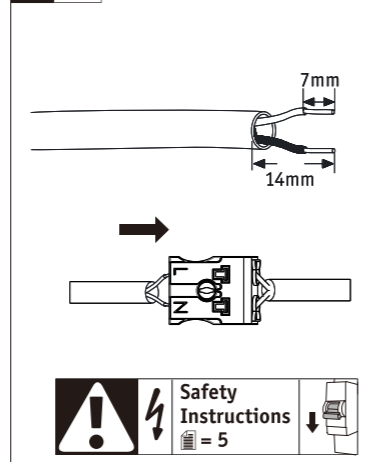
A1 A2



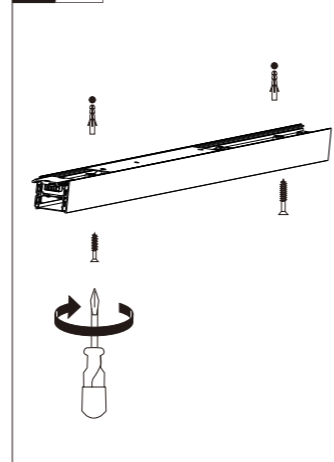
B1 B2



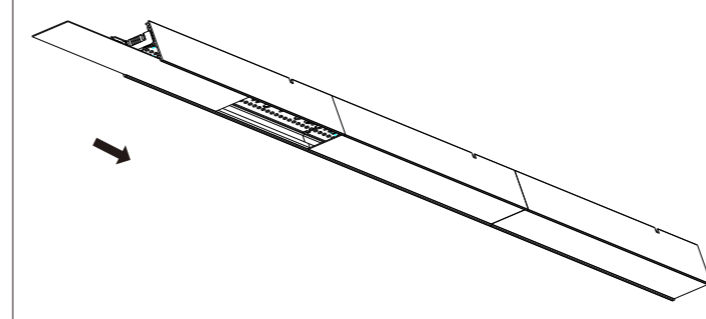
C1 C2



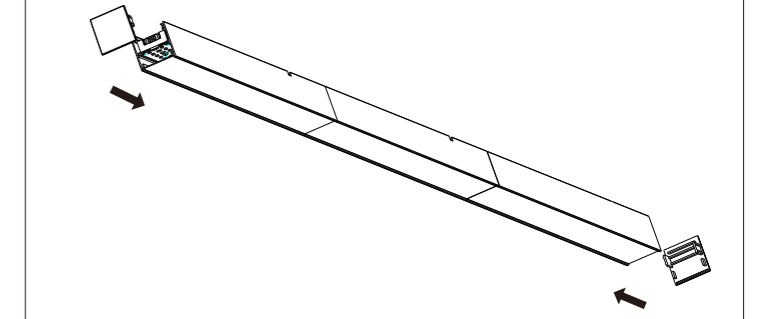
D1 D2



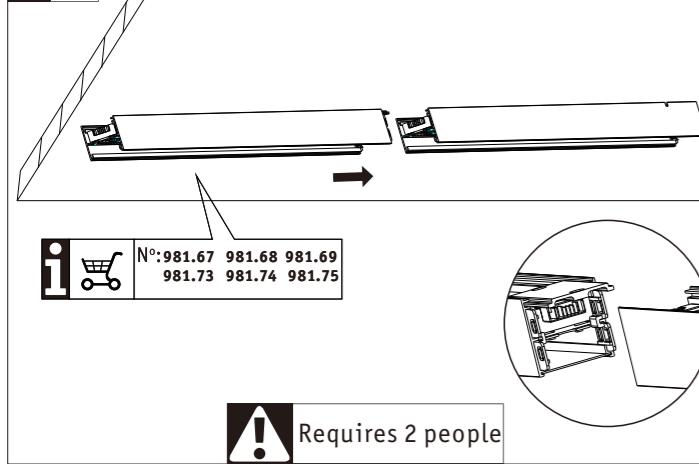
C1 C2



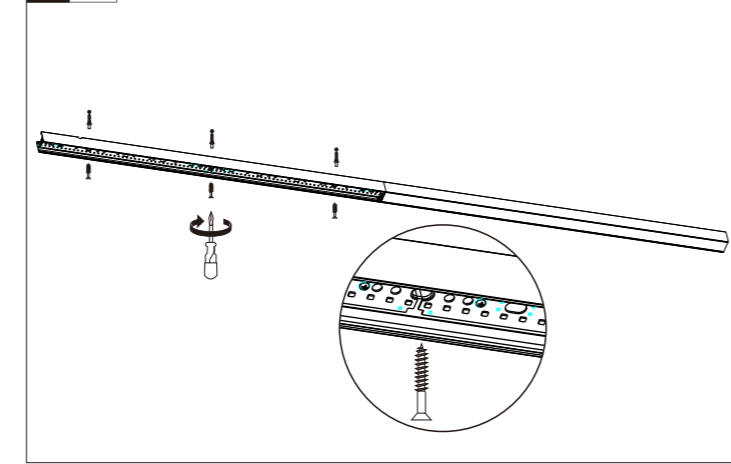
D1 D2



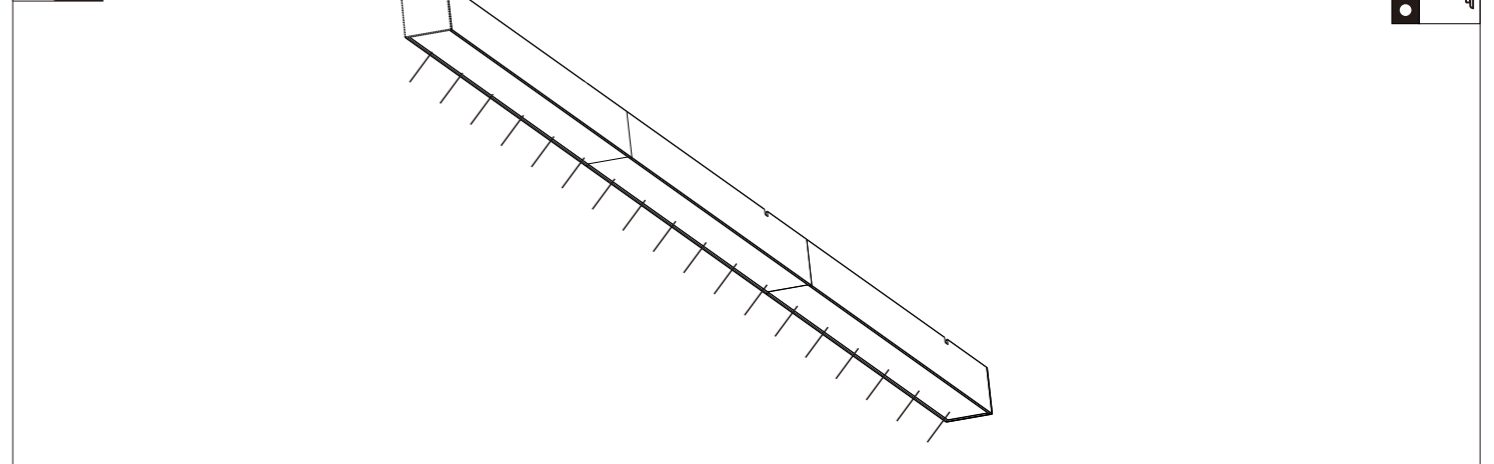
E1 E2



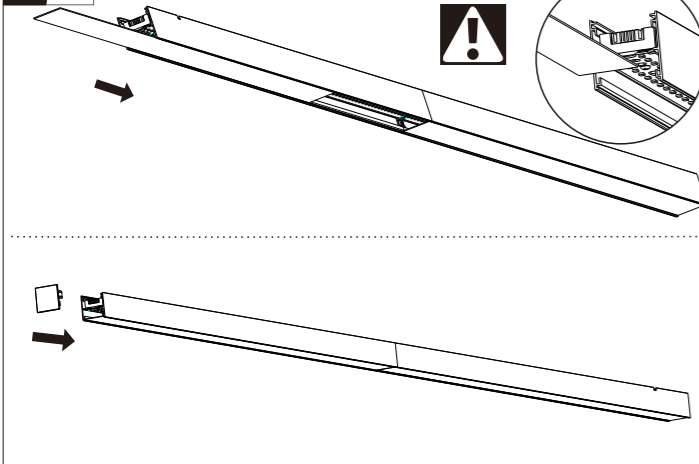
F1 F2



E1 E2



G1 G2



H1 H2

