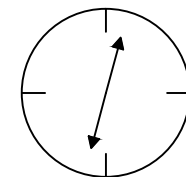
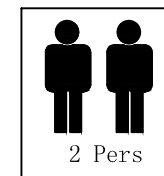
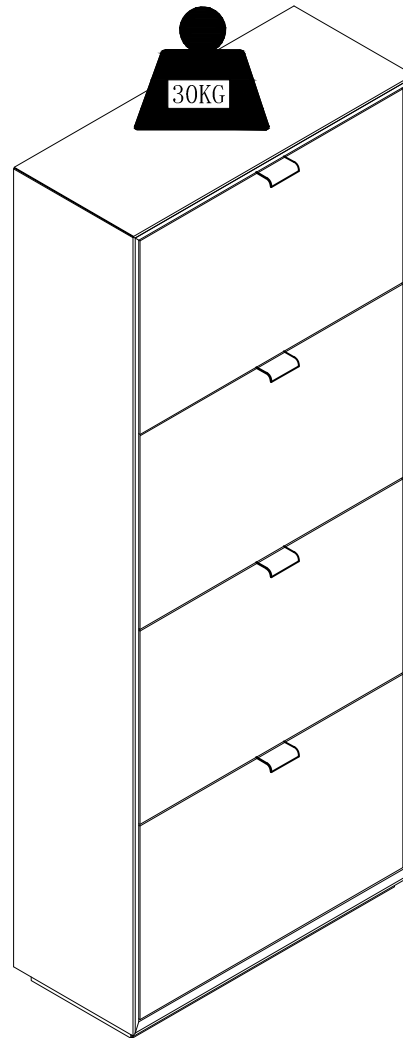


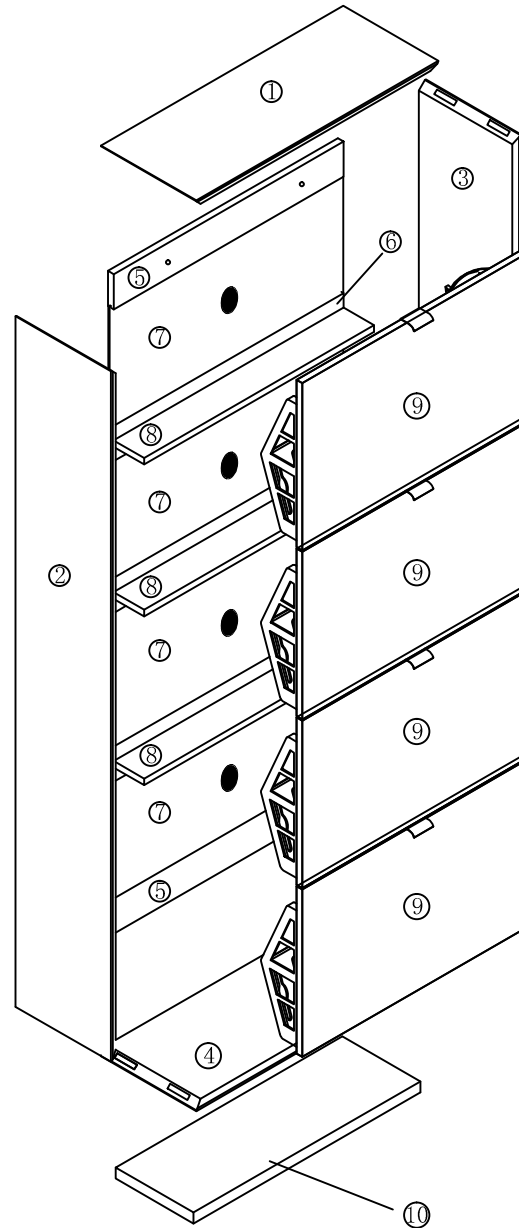
1082380

07990010-03

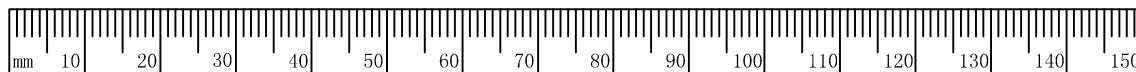
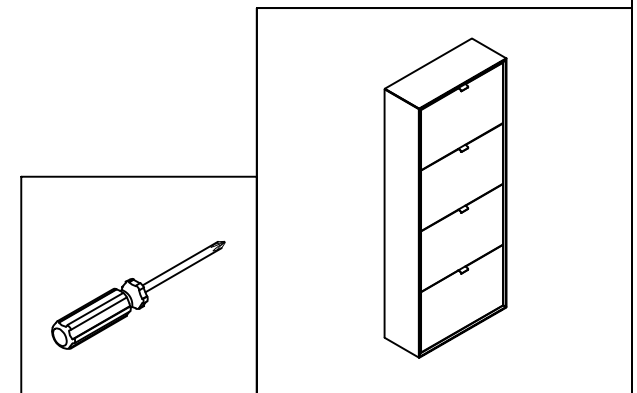


No	Part	Qty
1	top board	1
2	left side board	1
3	right side board	1
4	bottom board	1
5	up/unper side back braces	2
6	middle side back braces	3
7	backplane	4
8	back pulling plate	3
9	skip bucket of surface	4
10	Base	1

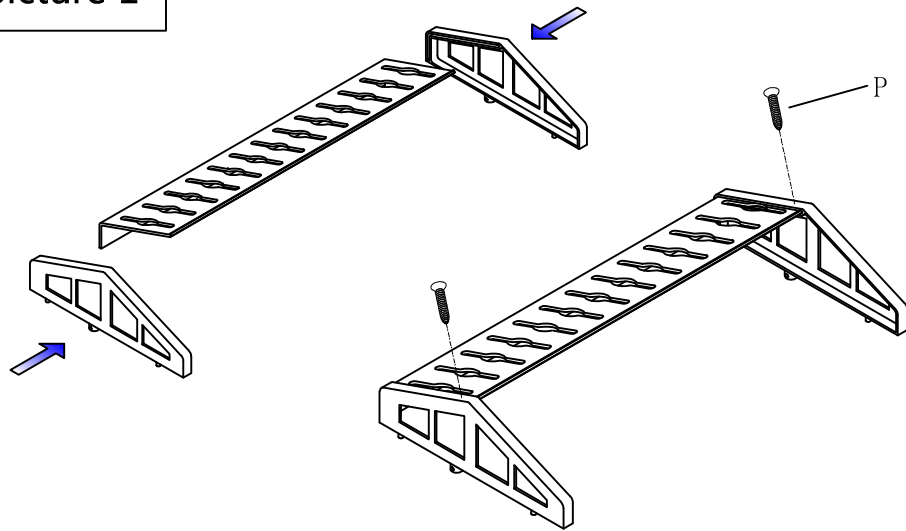
B-18401



NO		Part	Qty
A		big three in one ET-15	30
B		dowel $\phi 8 \times 30$	6
C		handle	4
D		screw $\phi 3.5 \times 14$	8
E		crashworthy tray	16
F		tipping screw $\phi 5 \times 31$	8
G		screw $\phi 4 \times 35$	4
H		ventilate lid $\phi 60 \times 3$	4
I		screw $\phi 5 \times 60$	2
J		colloidal $\phi 8$	2
K		skip bucket shoes cabiret	4
L		screw $\phi 3 \times 12$	16
M		triangle bolt	6
N		screw $\phi 3 \times 14$	6
O		allen key $\phi 4$	1
P		screw $\phi 3 \times 10$	8
Q		gasket $\phi 6$	2

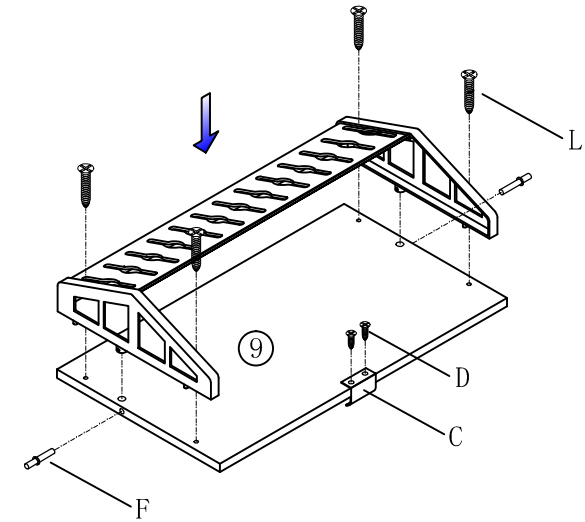


picture 1



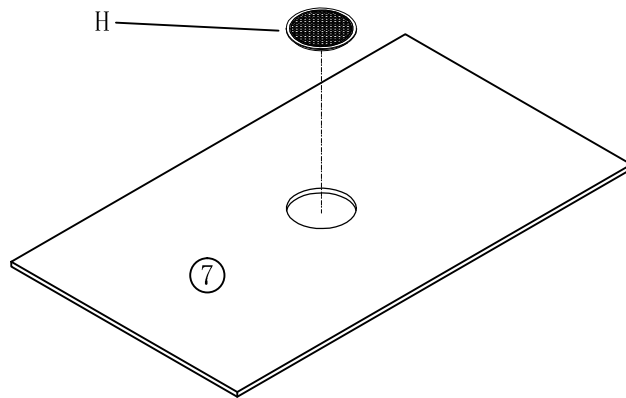
K	4	P	8
			ø3*10

picture 2



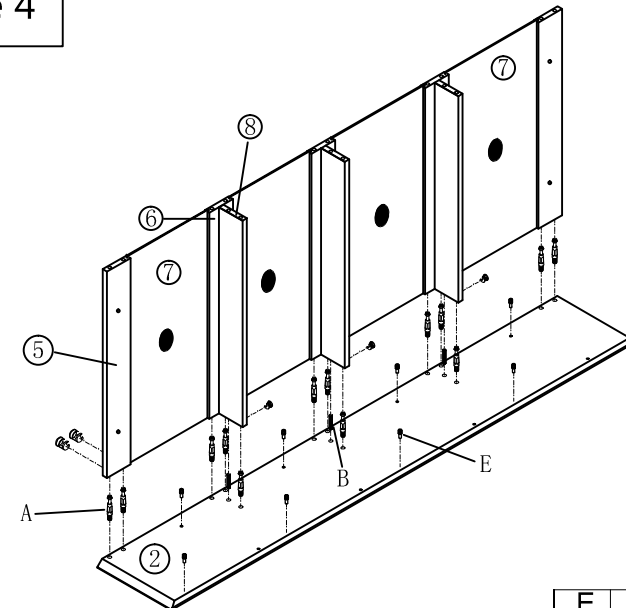
F	8	C	4	D	8	L	16
	ø5*31				ø3.5*14		ø3*12

picture 3



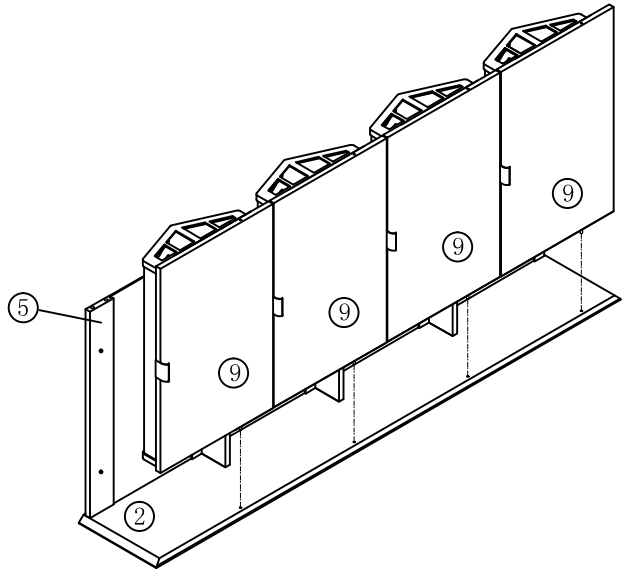
H	4
	ø60

picture 4

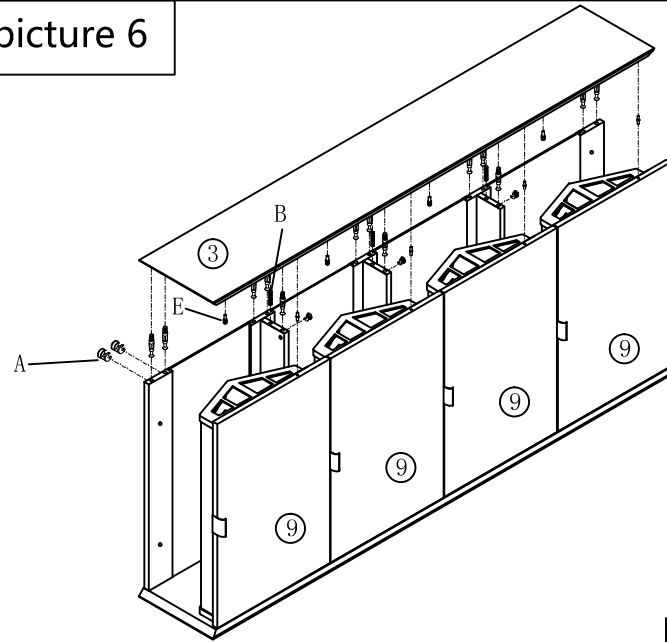





E	8	A	13	B	3
			ET-15		ø8*30

picture 5

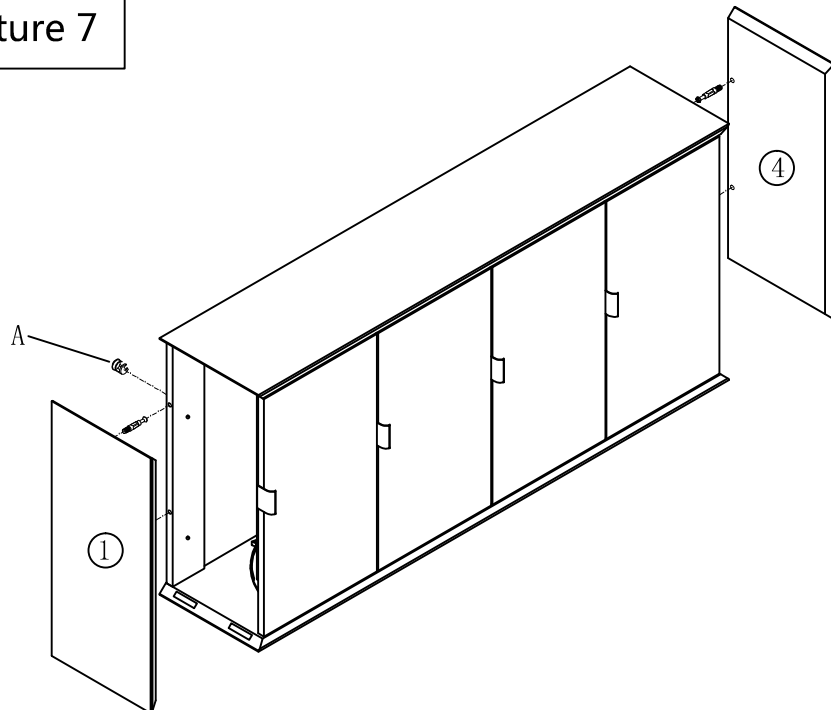



picture 6



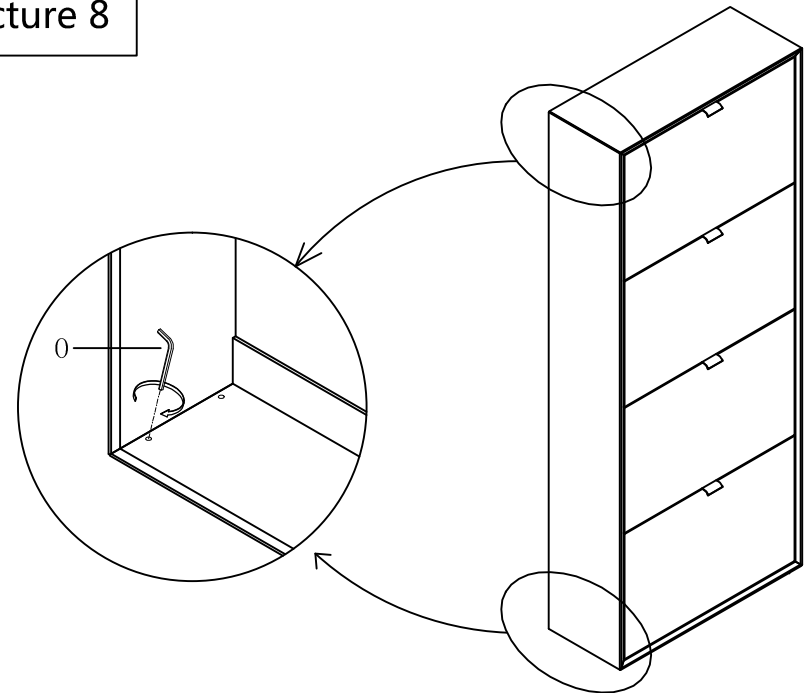
E	8	A	13	B	3
					
		ET-15		ø8*30	


picture 7



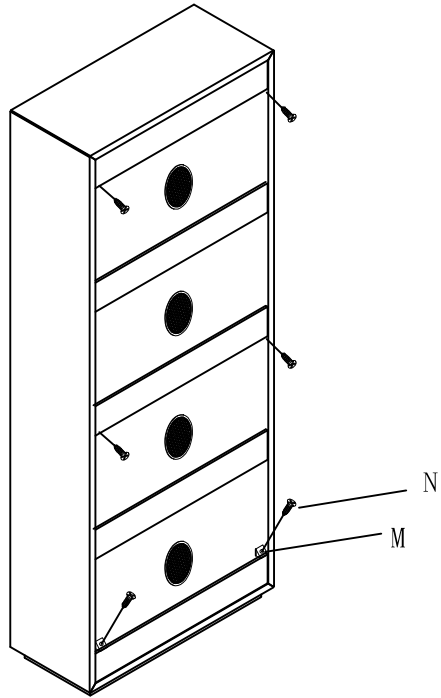
A	4
	
ET-15	

picture 8



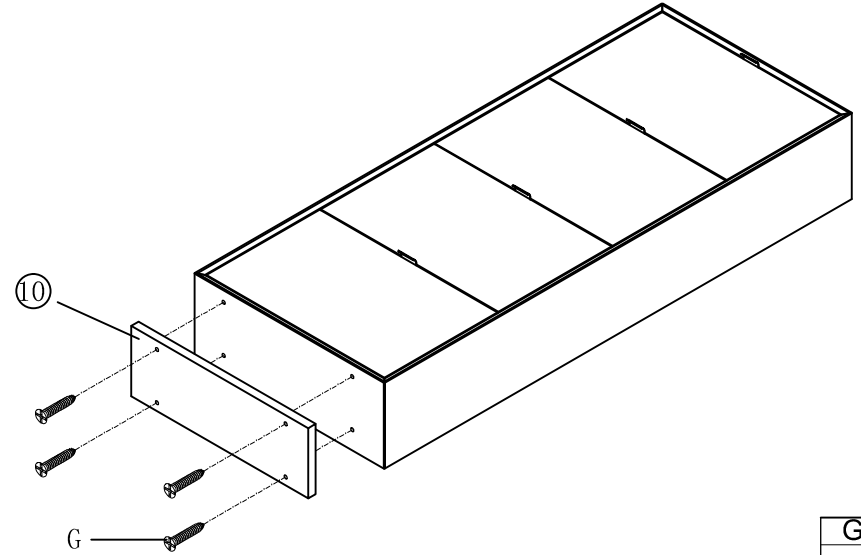
O	1
	
ø4	

picture 9



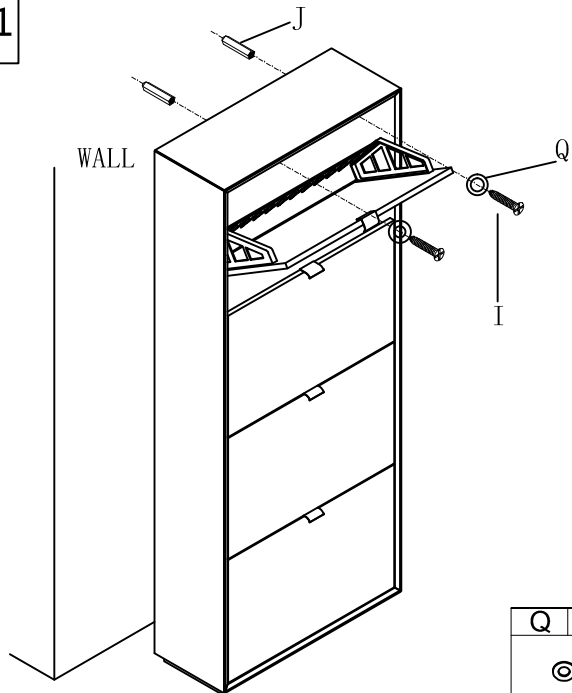
M	6	N	6
		$\phi 3 \times 14$	

picture 10



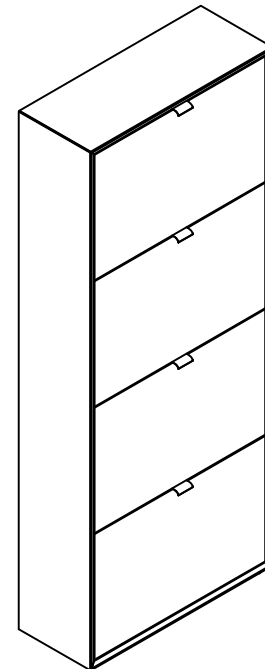
G	4
	$\phi 4 \times 35$

picture 11

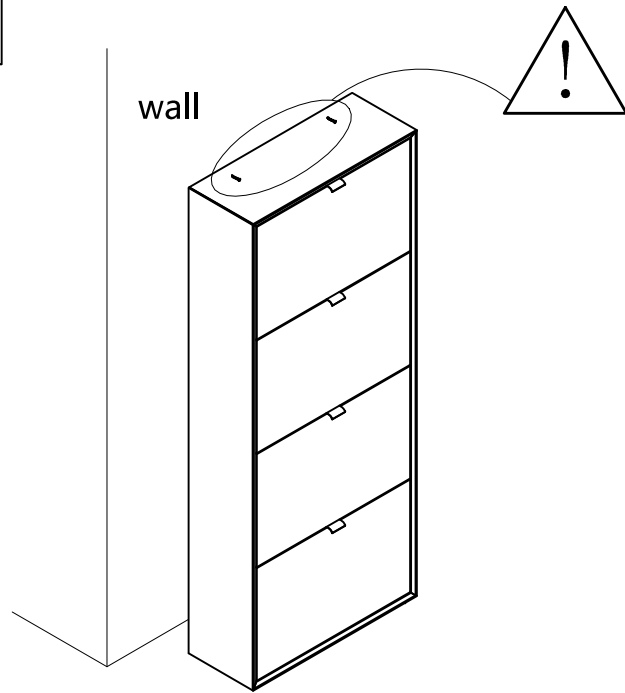


Q	2	I	2	J	2
$\phi 6$		$\phi 5 \times 60$		$\phi 8$	

picture 12



picture 13



picture 14

