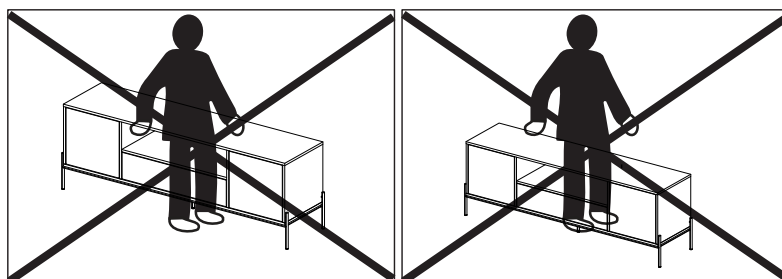
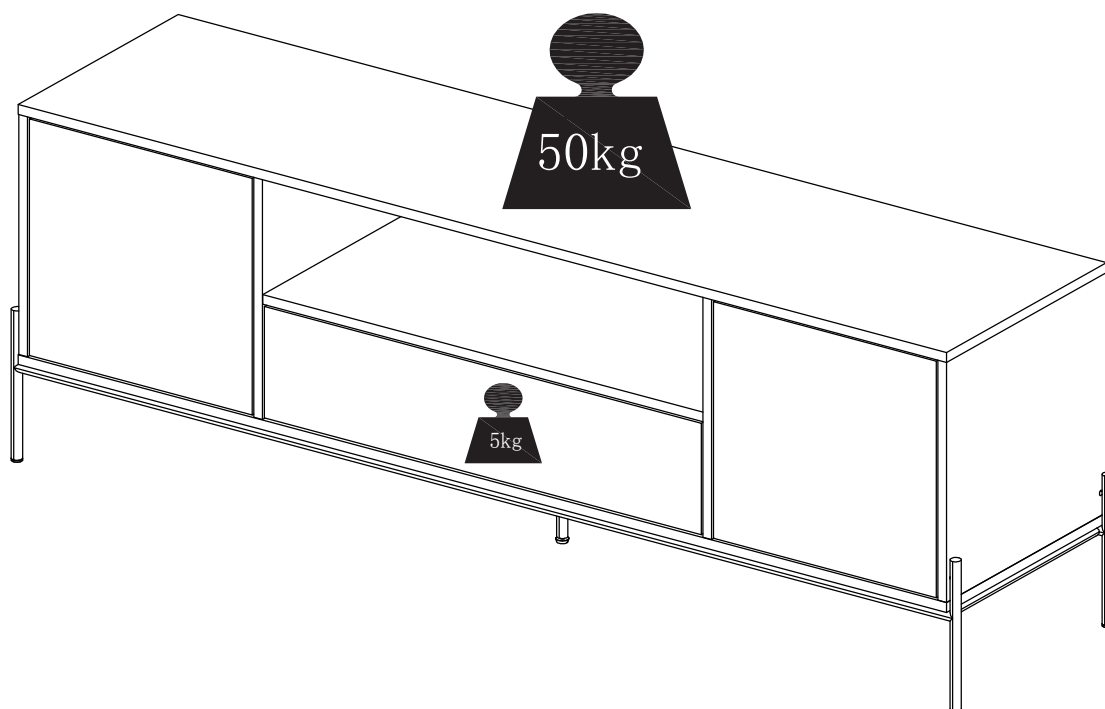
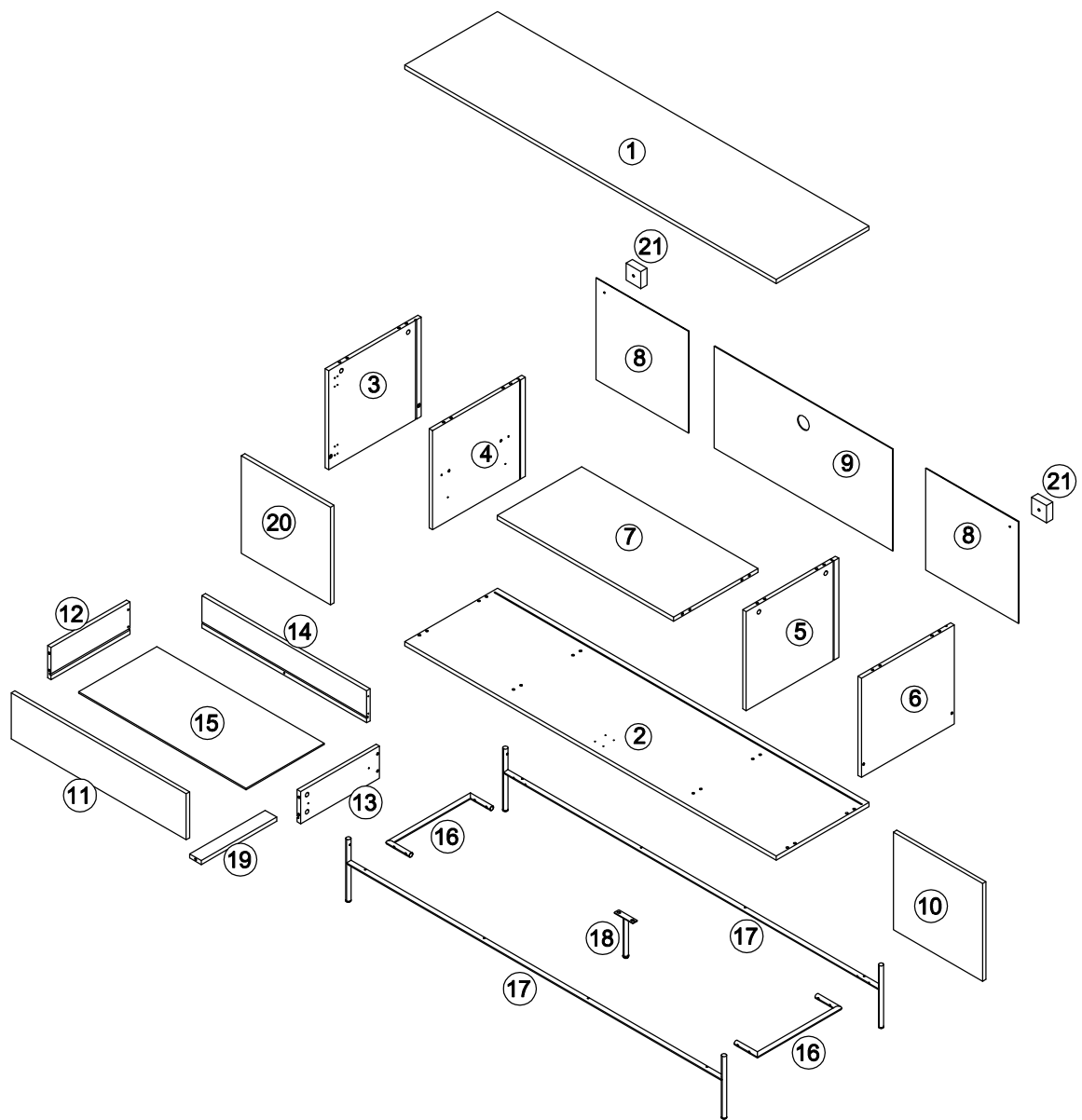


# Assemble instruction

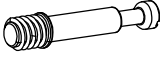
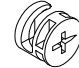
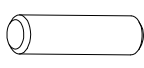
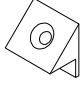
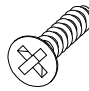


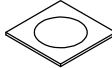


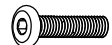


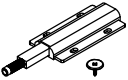

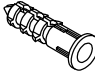
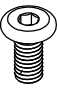
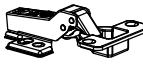
27980010/04

## LIVI

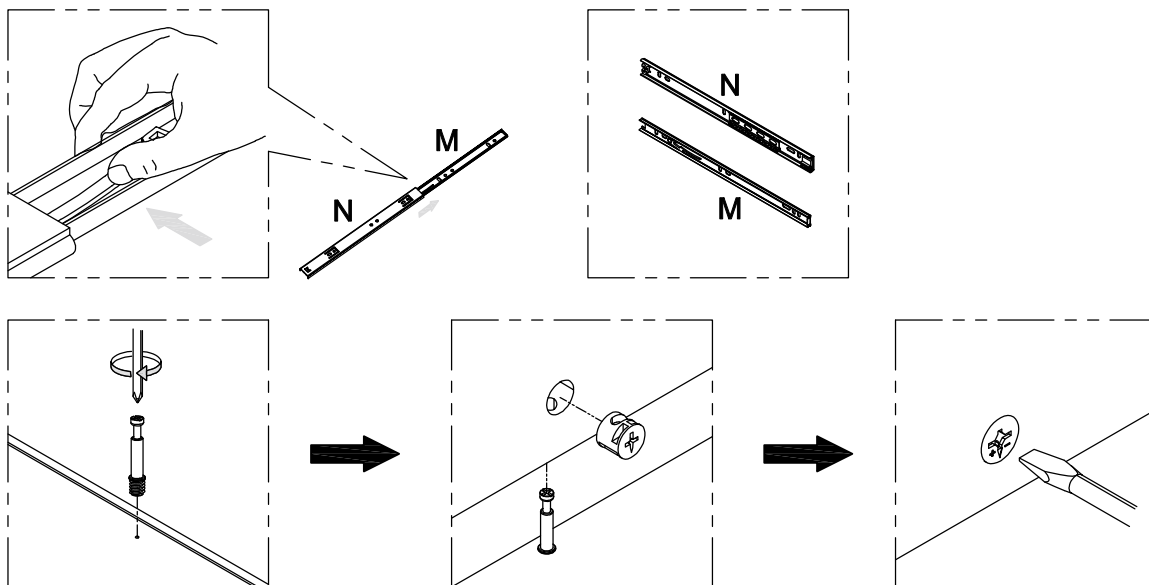




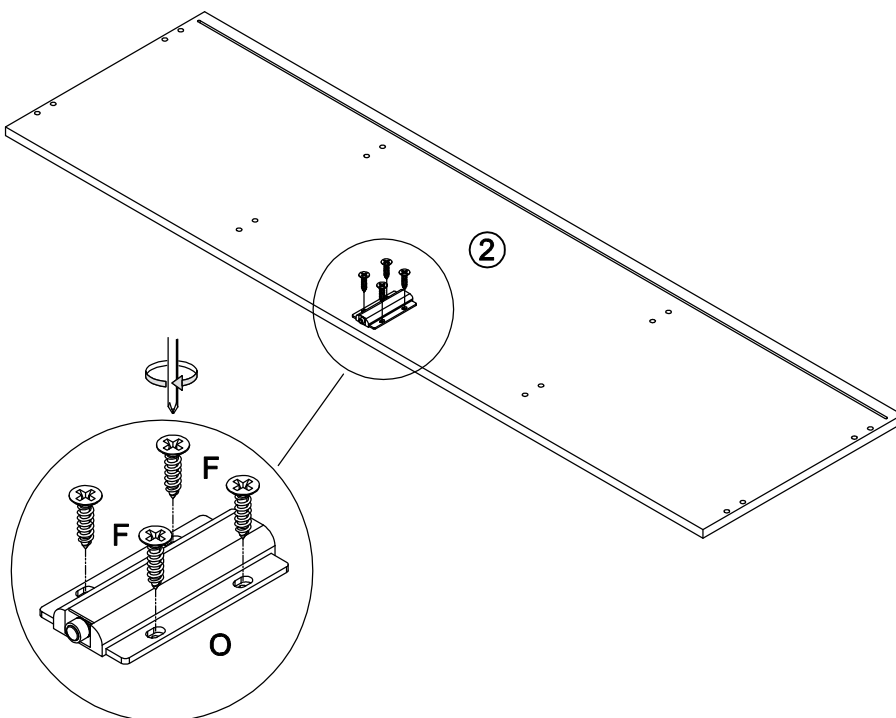
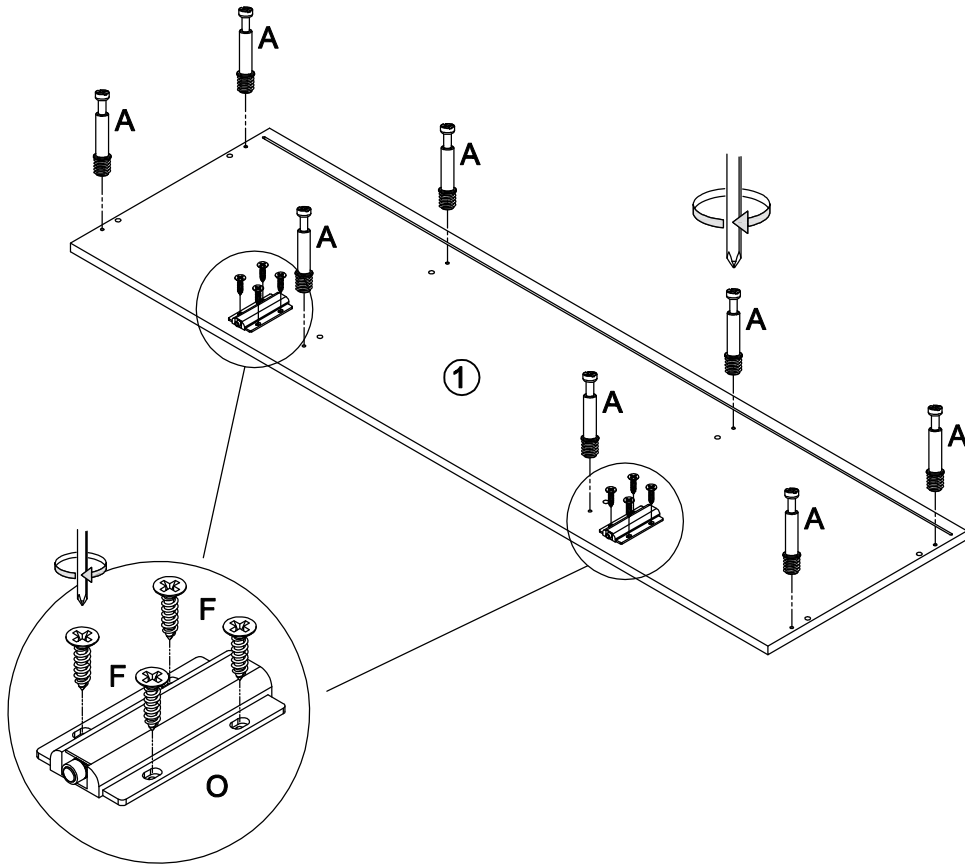
<p>2 PERSONEN</p>	<p>40min</p>		
-------------------	--------------	--	--



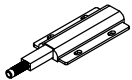
A	x17	B	x17	C	x20	E	x12	F	x56	G	x8	H	x1
													
M6*35mm		Ø15mm		Ø8*30mm				Ø3.5*14mm		#7*40mm		M4	
I	x12	J	x6	K	x8	L	x12	M	x2	N	x2	O	x3
													
		#4*35mm		#4*28mm		M6*25mm		340mm		340mm			
P	x2	Q	x2	R	x2	S	x4						
													
#4*60mm		Ø6*30mm		M6*12mm									

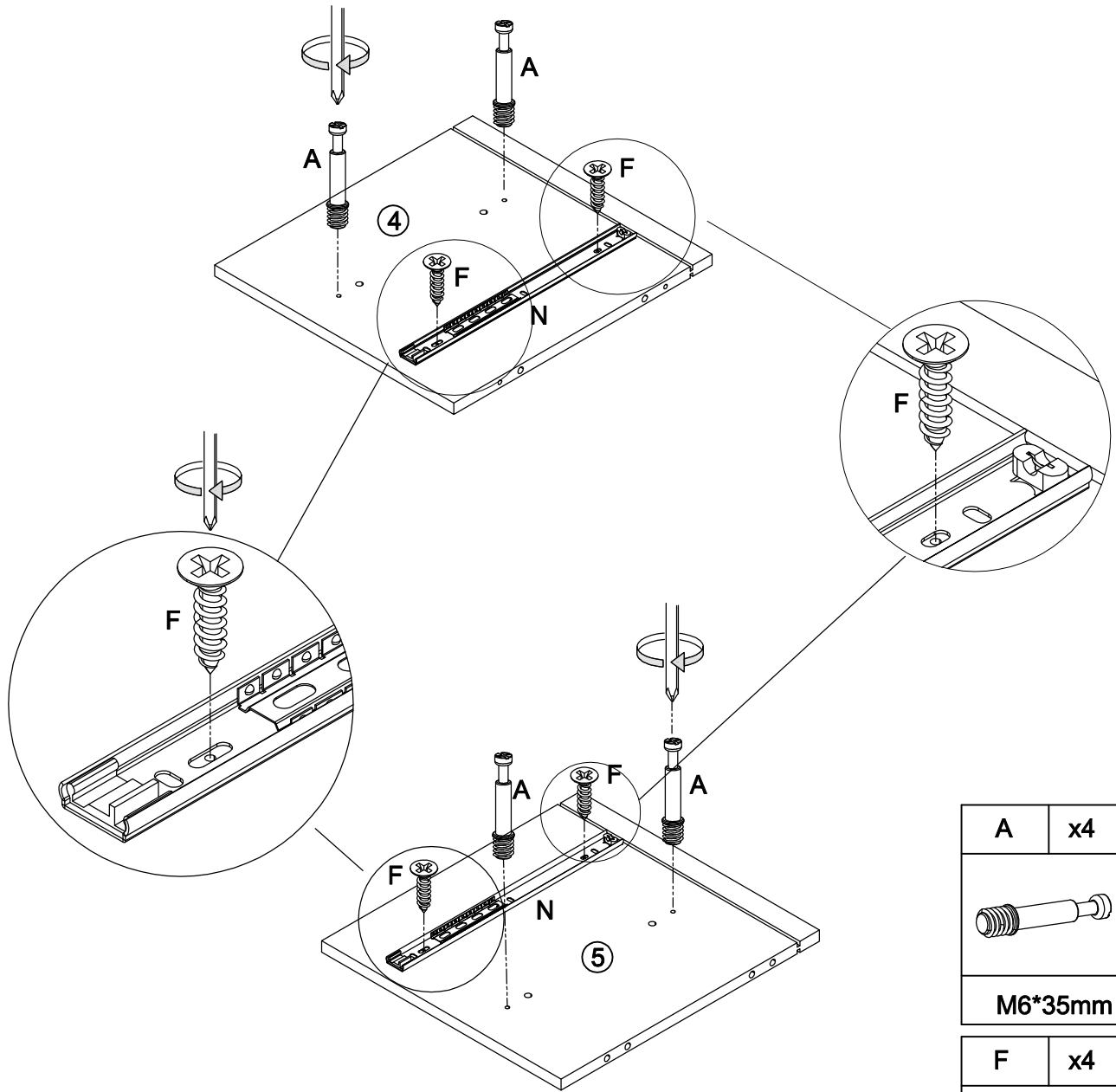
### Assembly details






1

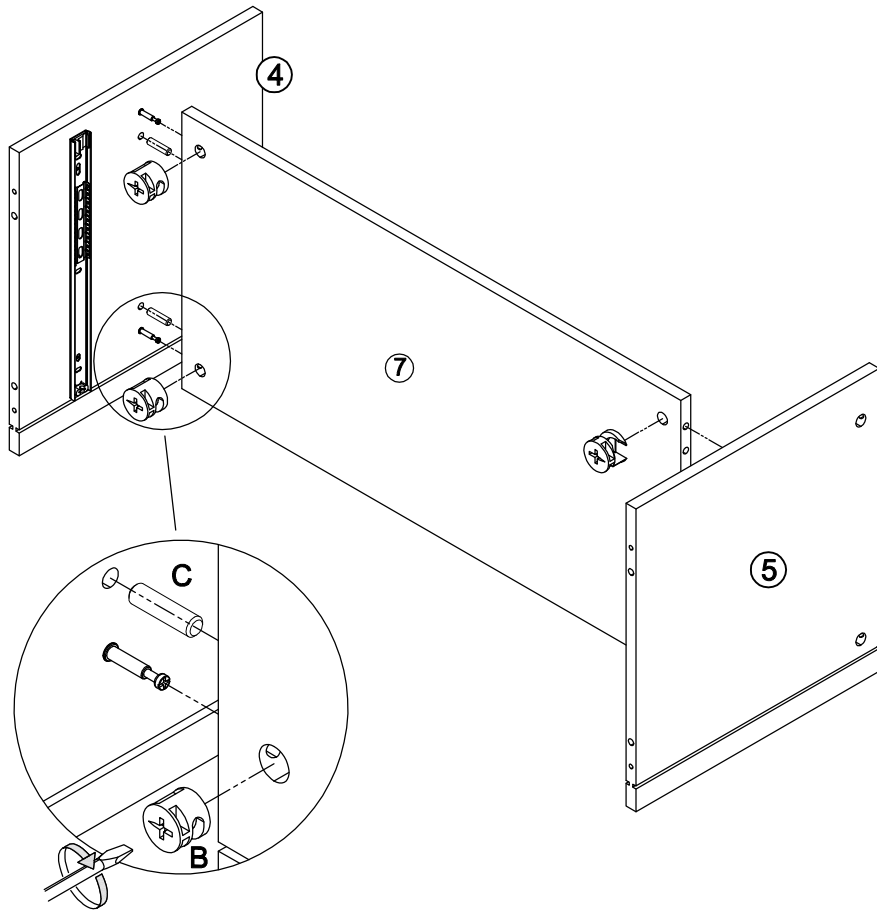




A	x8
	
M6*35mm	
F	x12
	
Ø3.5*14mm	
O	x3
	



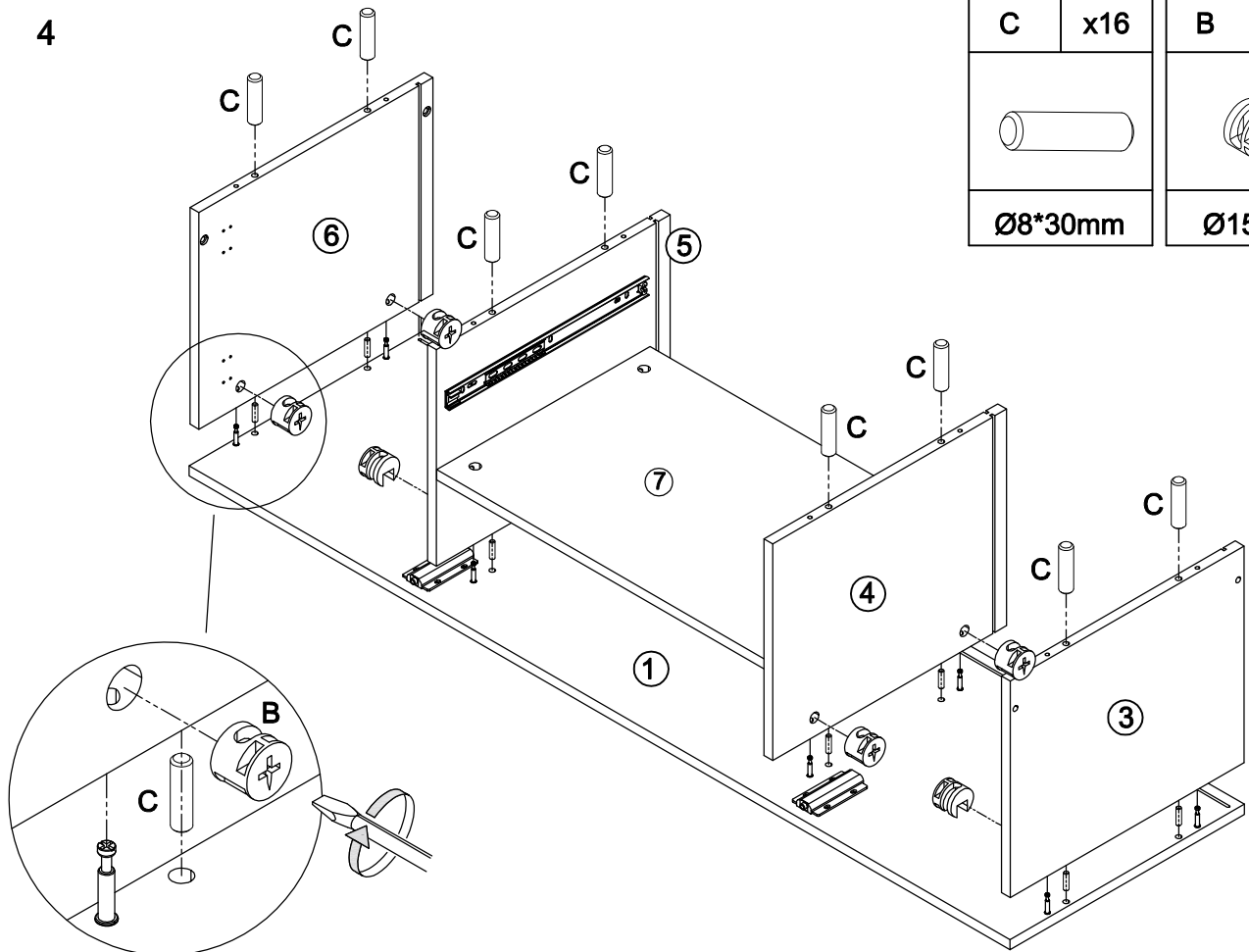
A	x4
	
M6*35mm	
F	x4
	
Ø3.5*14mm	
N	x2
	
340mm	



3



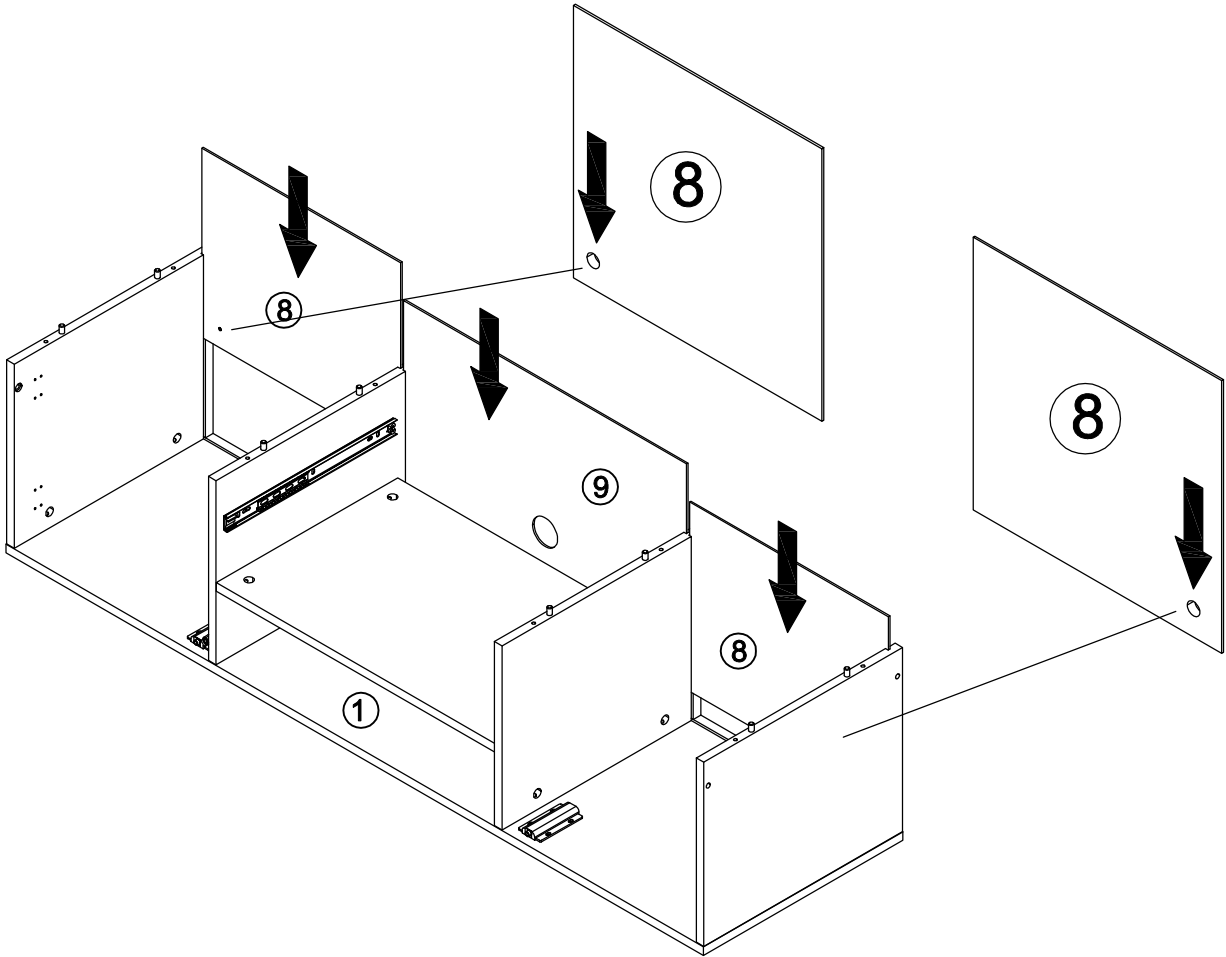
B	x4
	
$\text{Ø}15\text{mm}$	
C	x4
	
$\text{Ø}8*30\text{mm}$	

4

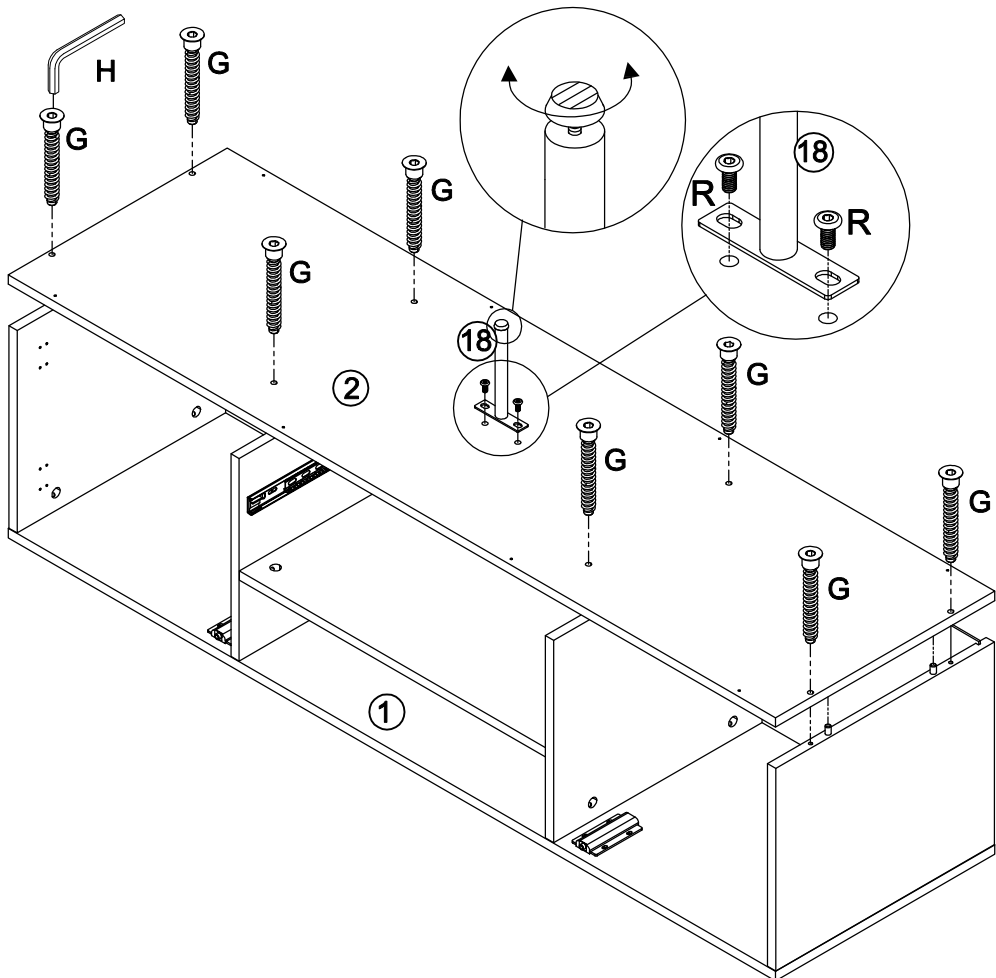




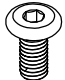
C	x16	B	x8
			
$\text{Ø}8*30\text{mm}$		$\text{Ø}15\text{mm}$	

5

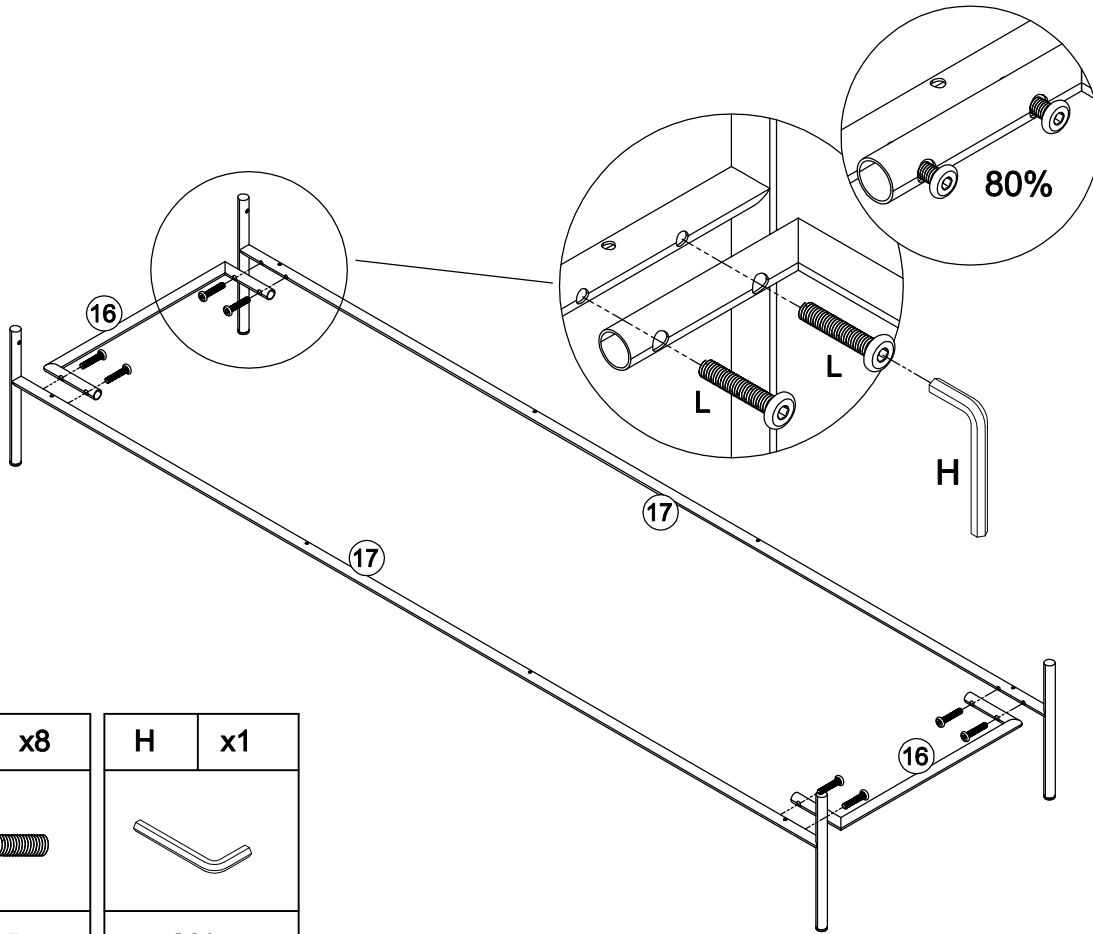


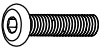

6



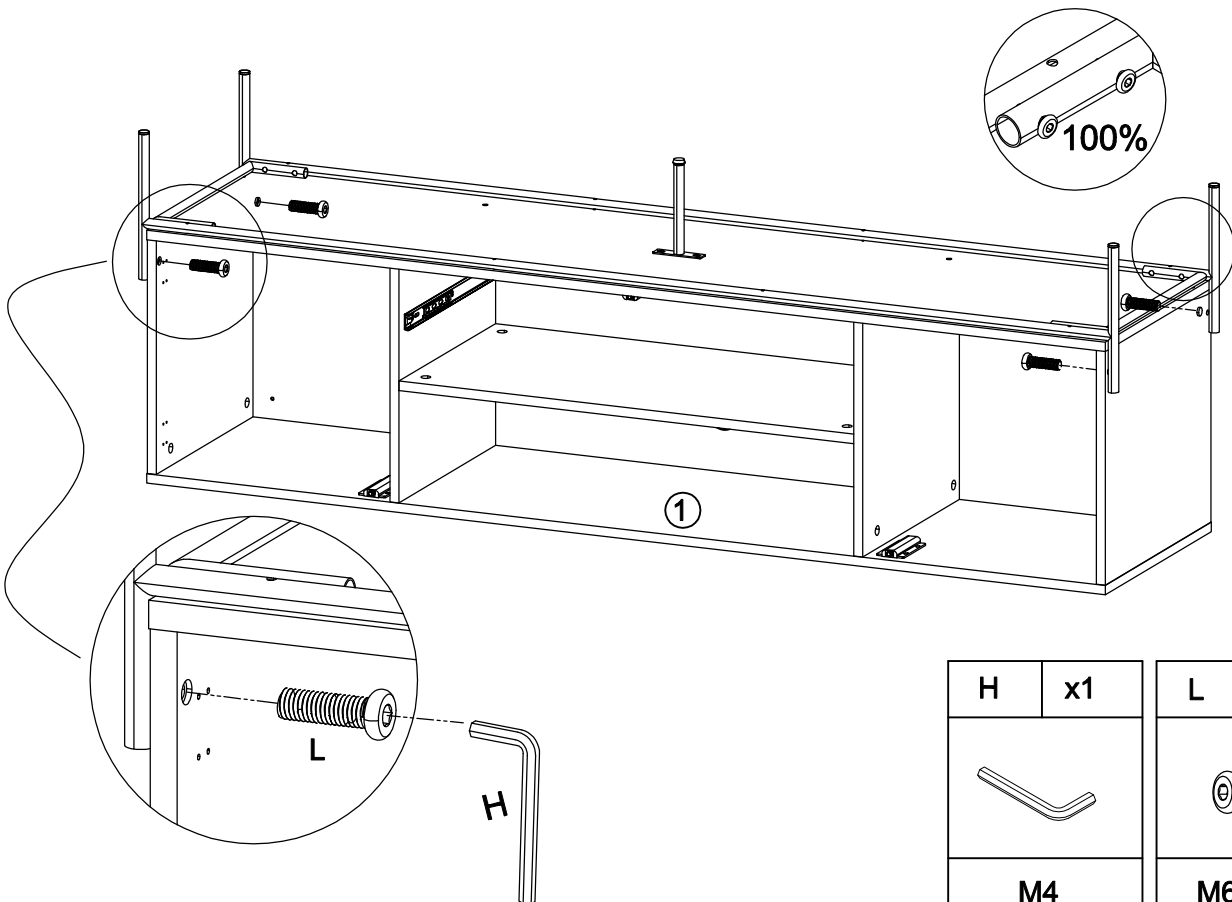
H	x1
	
M4	
G	x8
	
#7*40mm	
R	x2
	
M6*12mm	


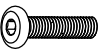
7



L	x8	H	x1
			
M6*25mm		M4	

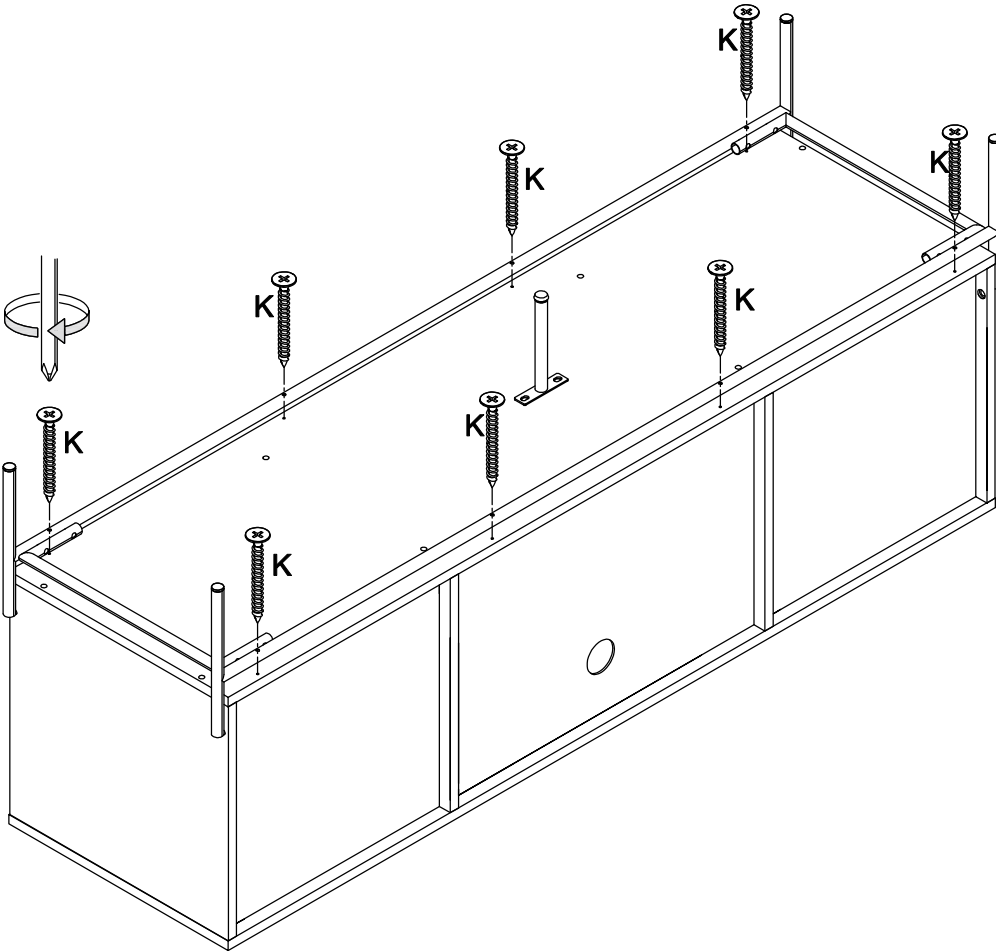
8




H	x1	L	x4
			
M4		M6*25mm	

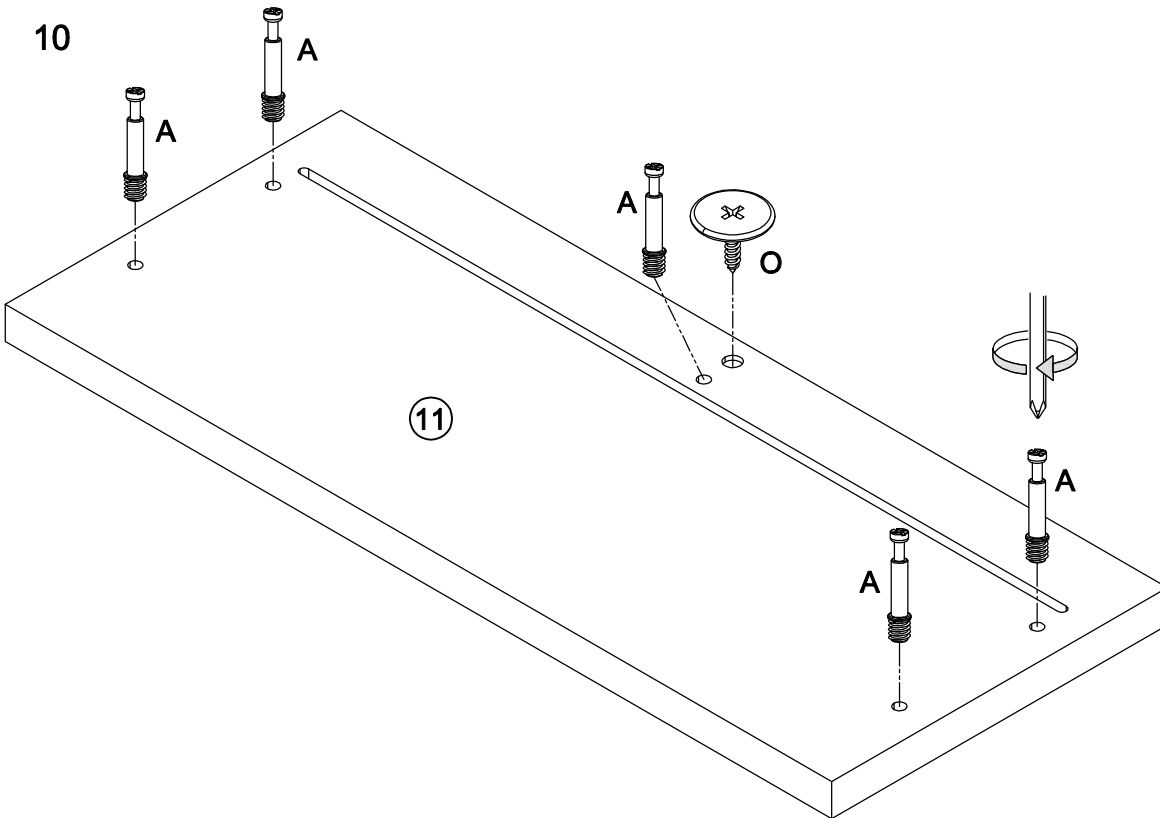




9



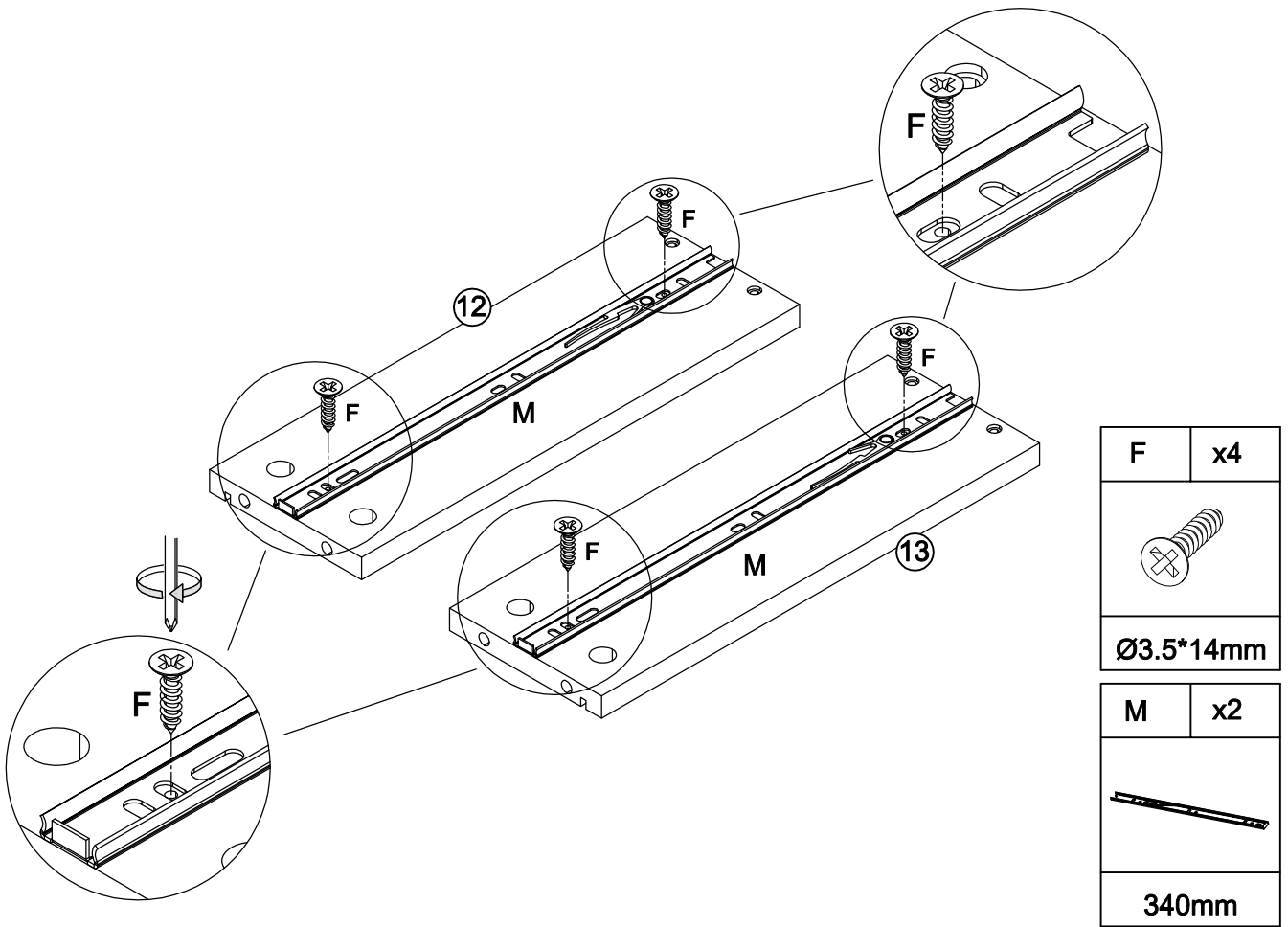
K	x8
	
#4*28mm	

10

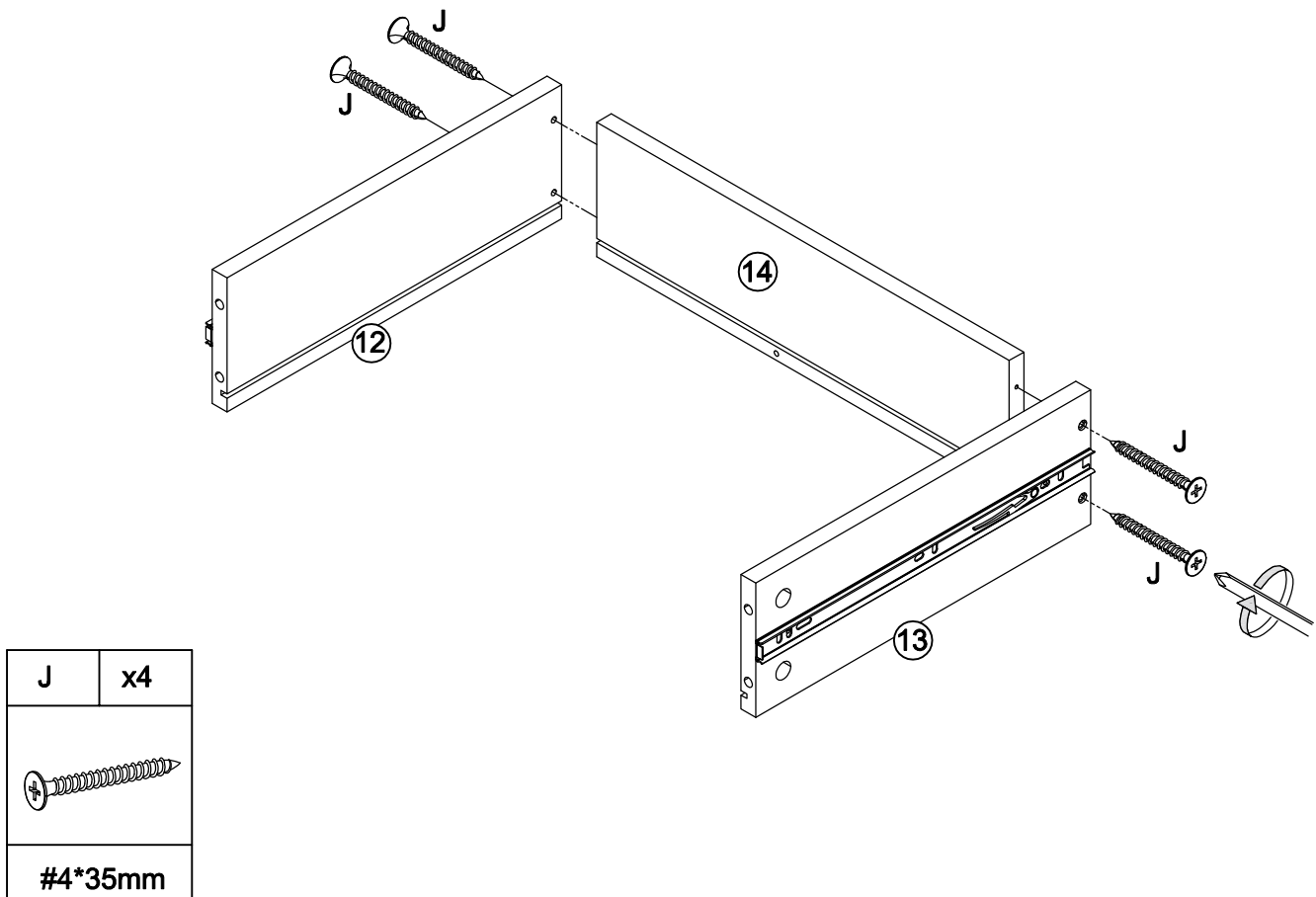


A	x5
	
M6*35mm	
O	x1
	

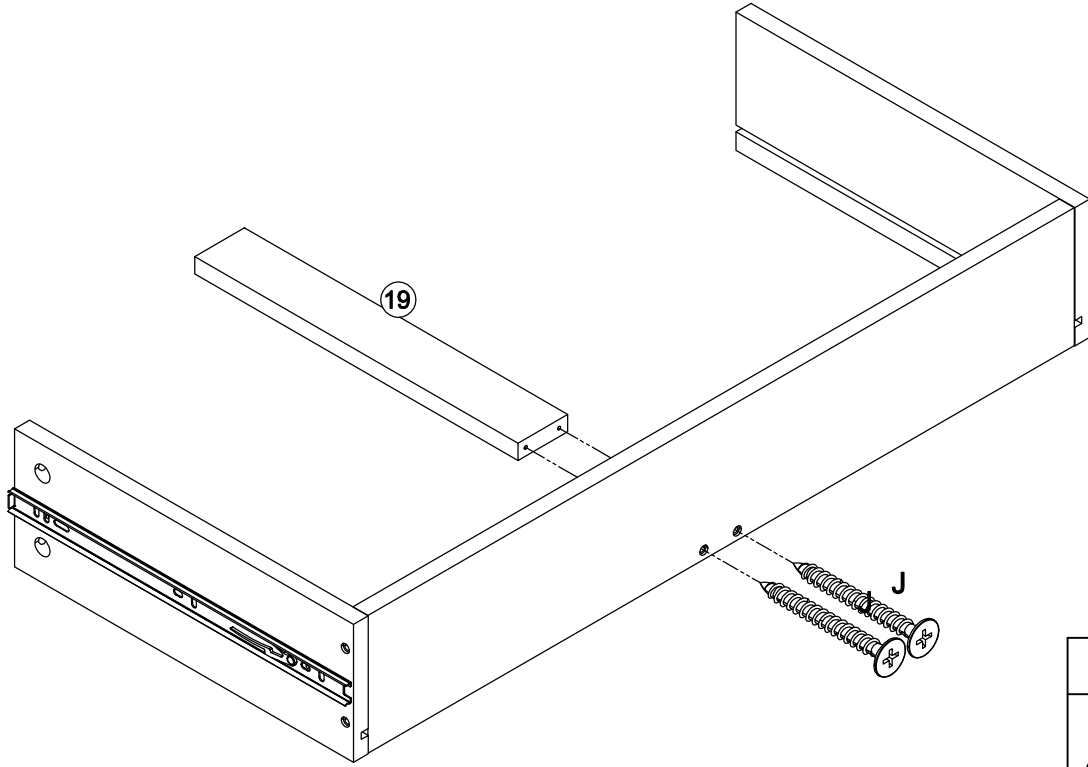
11




12

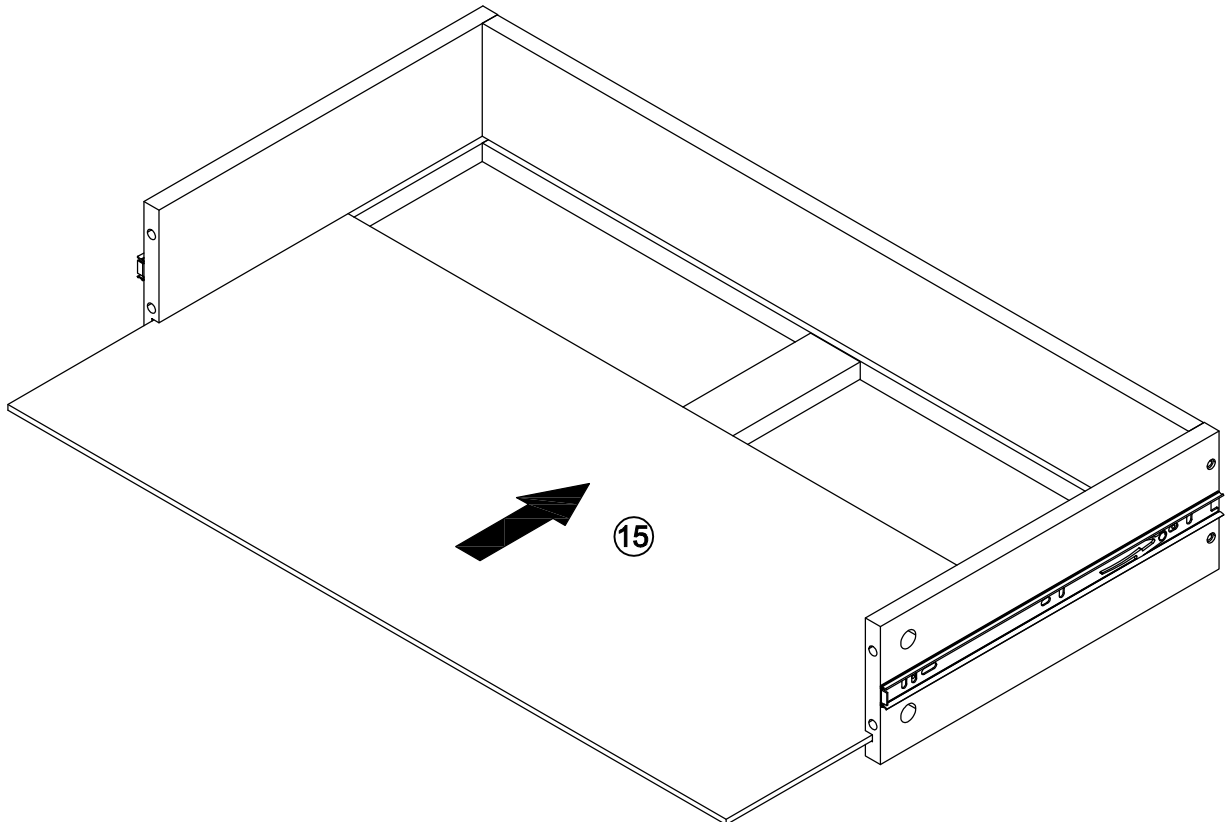


13

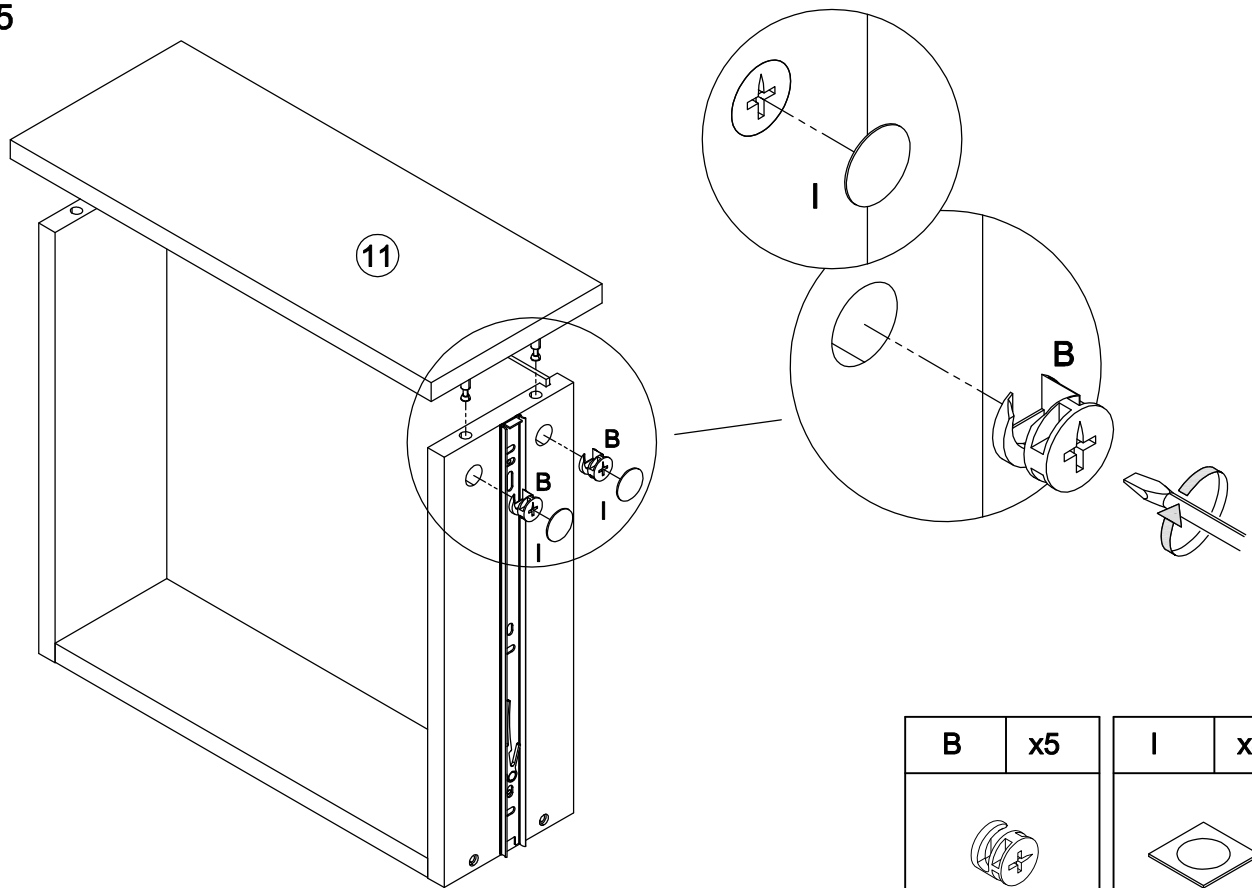




J	x2
	
#4*35mm	

14

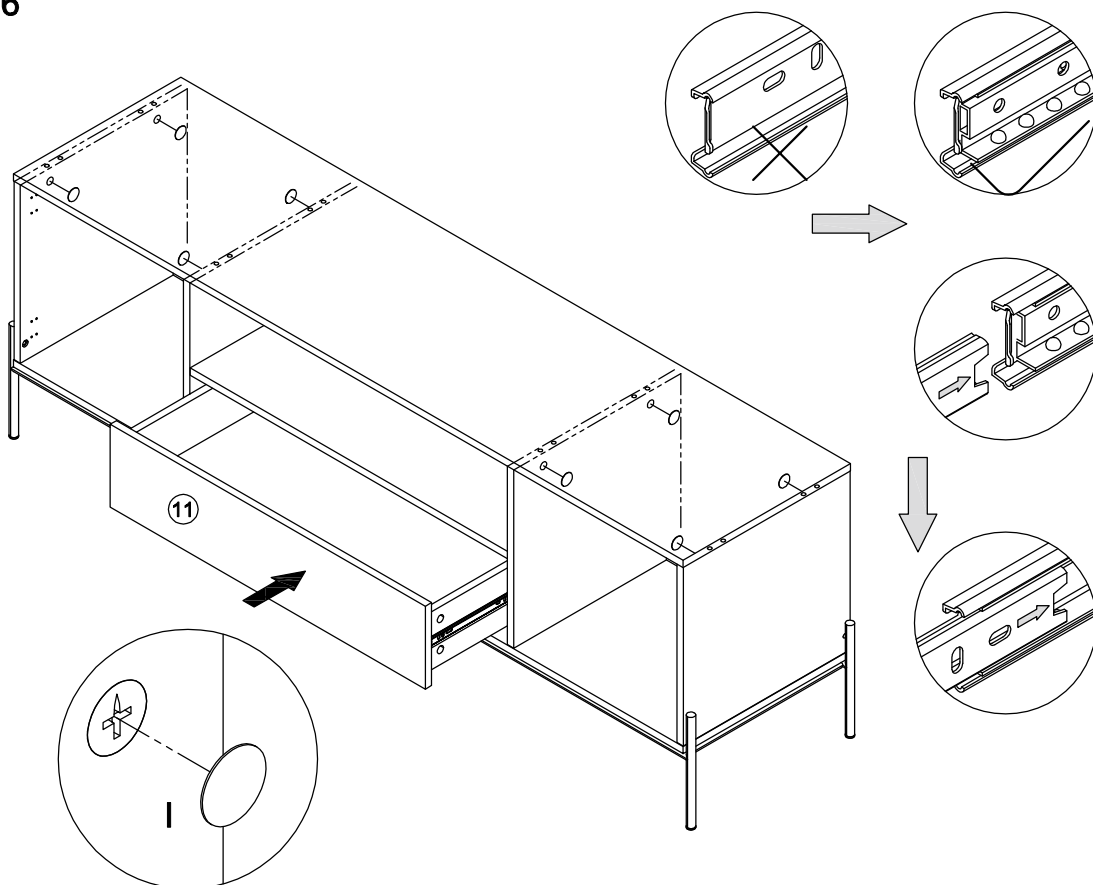


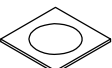
15




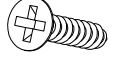

B	x5	I	x4
			
Ø15mm			

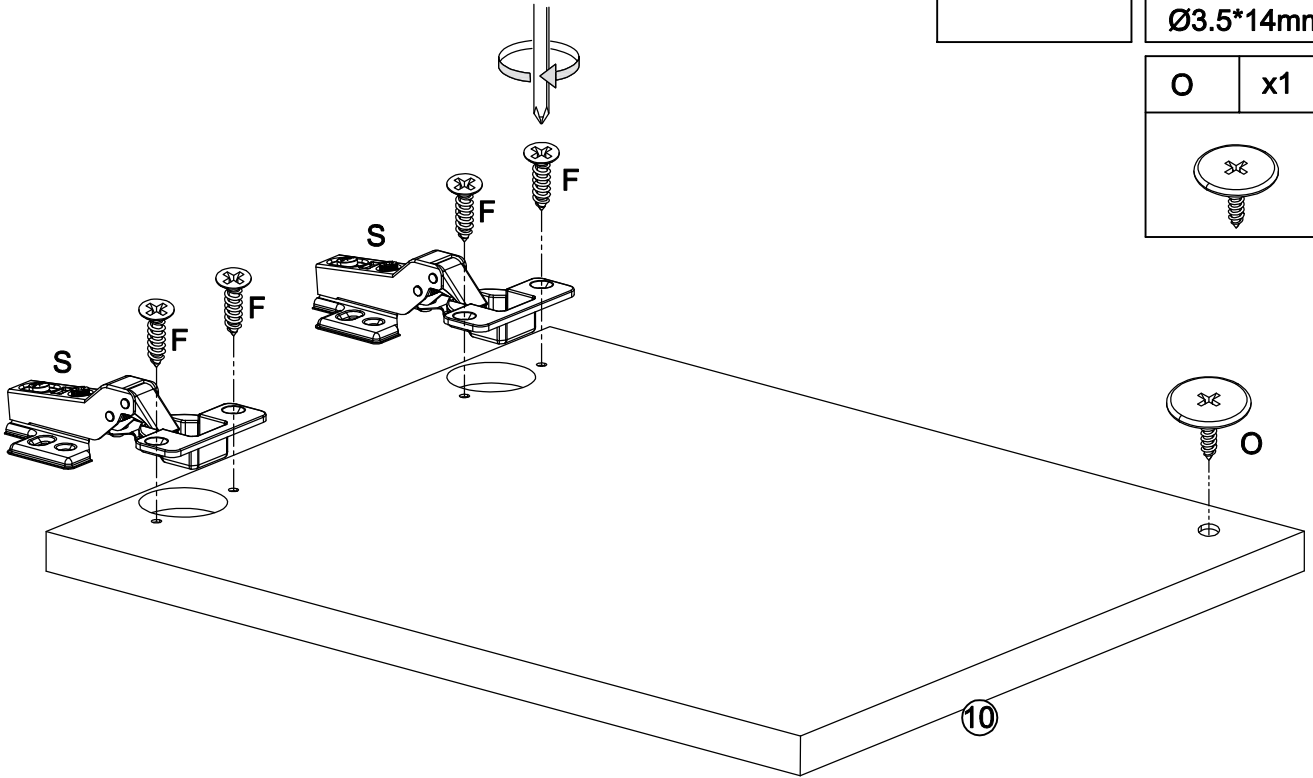
16






I	x8
	

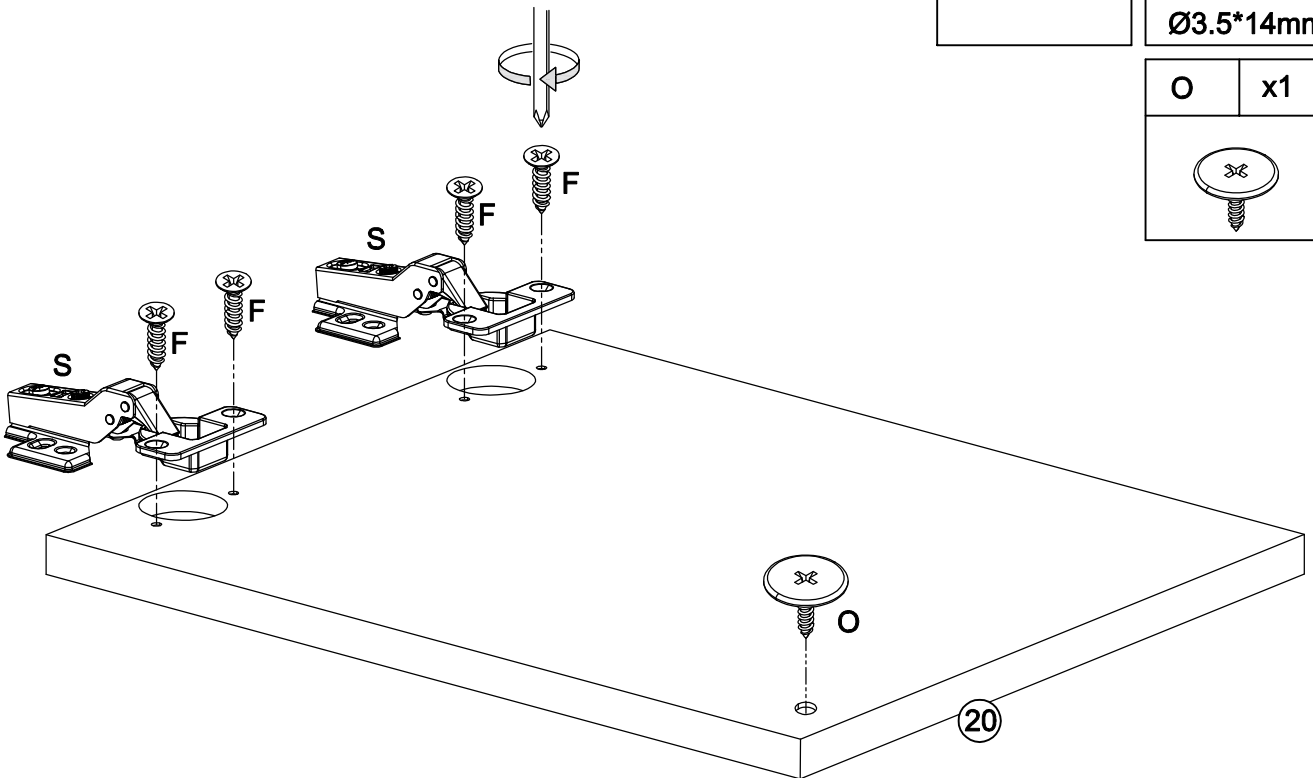
17

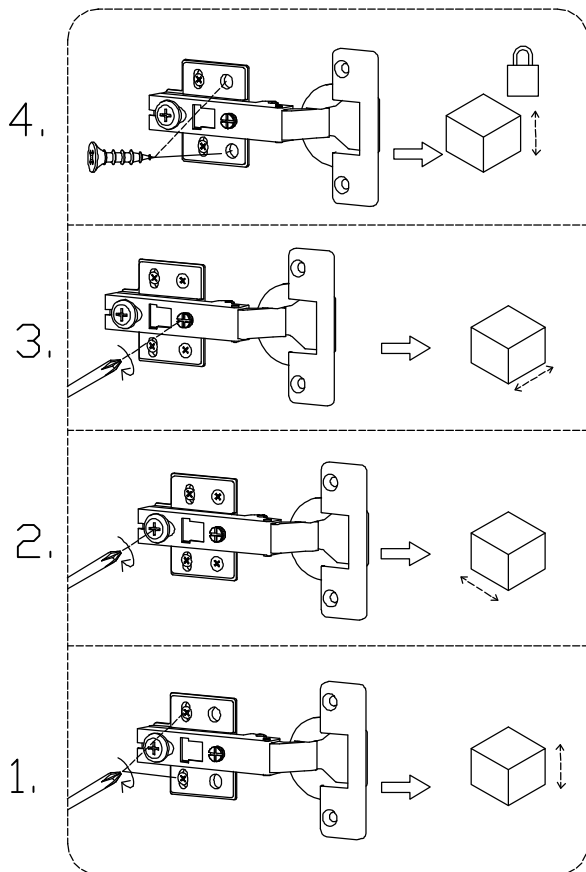
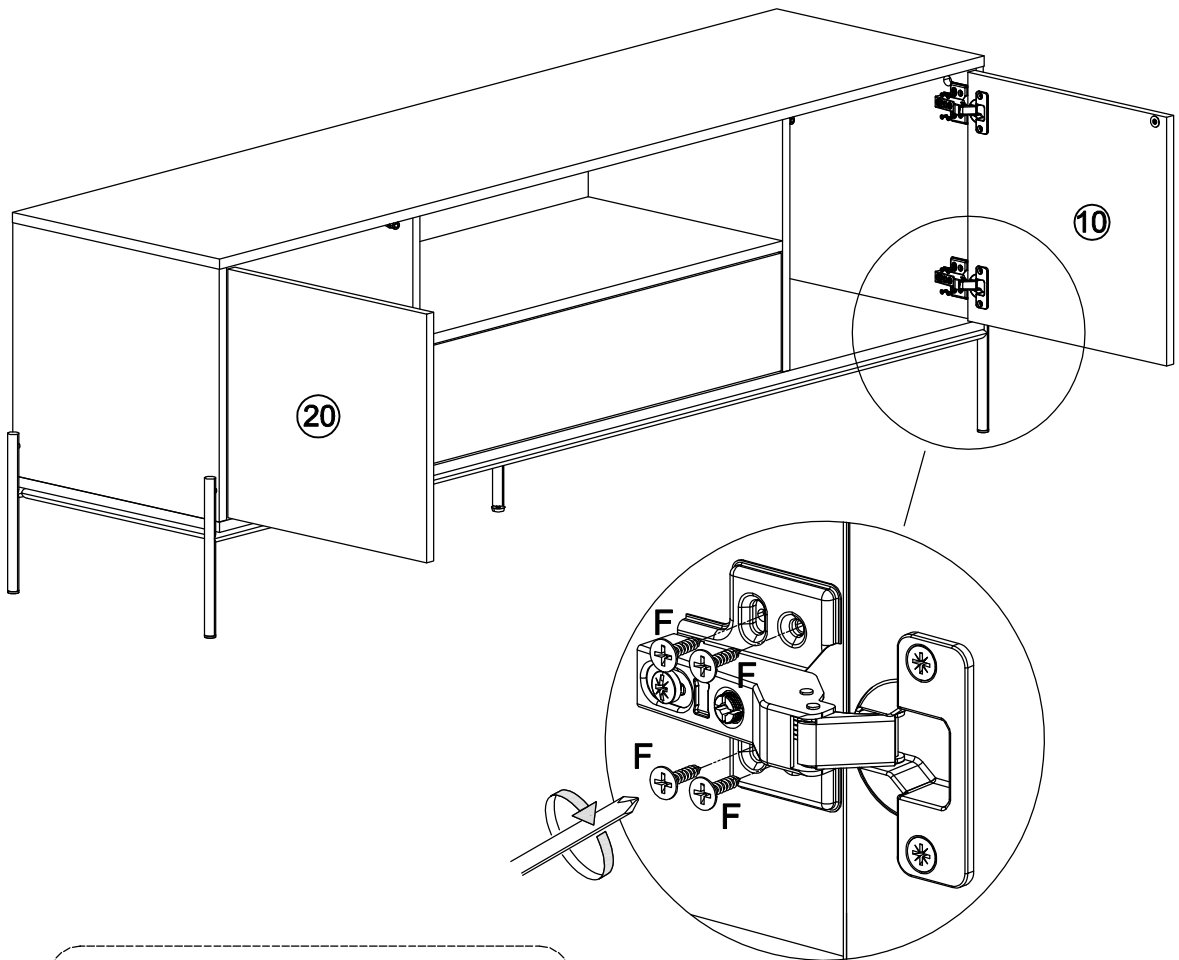
S	x2	F	x4
			
		<p>Ø3.5*14mm</p>	
O	x1		
			



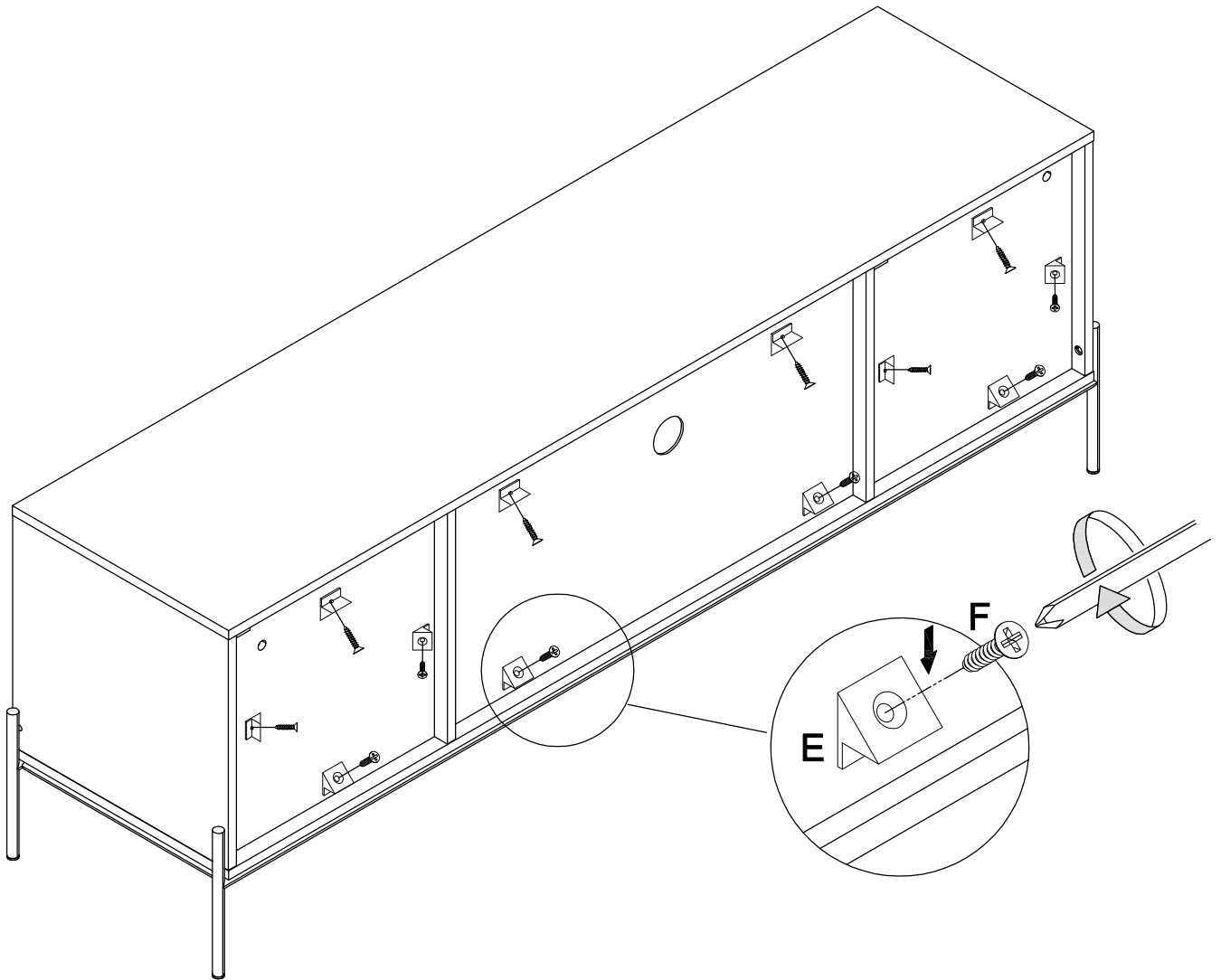
18




S	x2	F	x4
			
		<p>Ø3.5*14mm</p>	
O	x1		
			



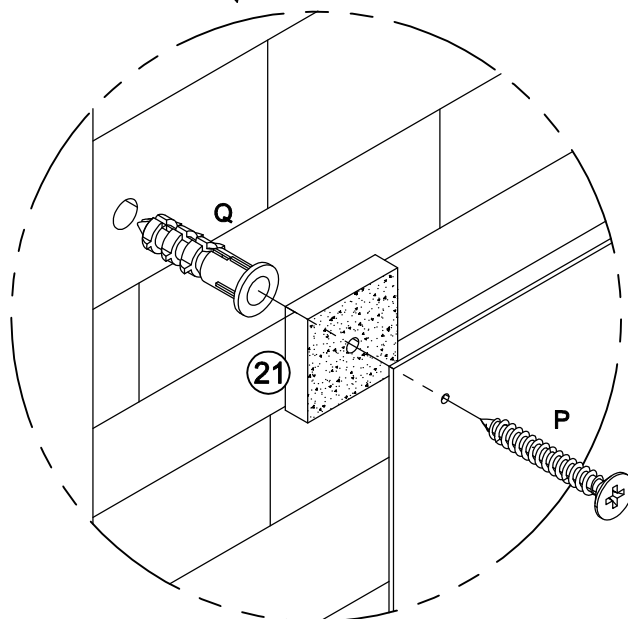
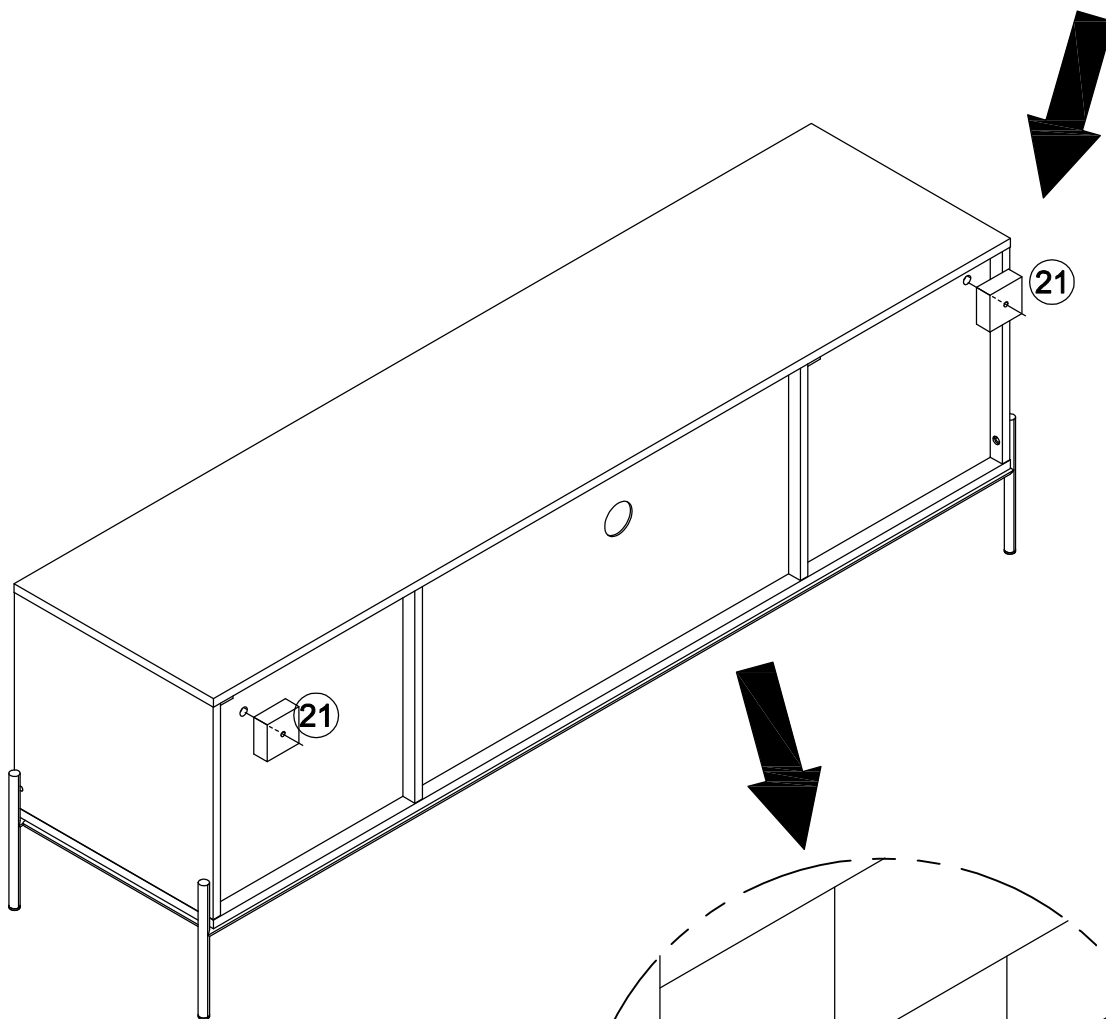
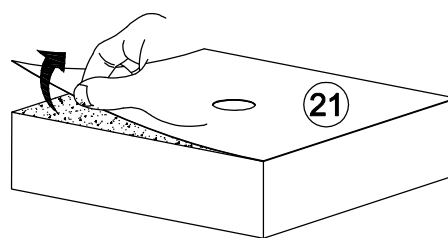


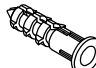
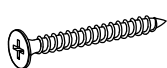
F	x16
<b>Ø3.5*14mm</b>	



<b>F</b>	<b>x12</b>
	
<b>Ø3.5*14mm</b>	
<b>E</b>	<b>x12</b>
	
	

21



Q	x2	P	x2
			
Ø6*30mm		#4*60mm	



