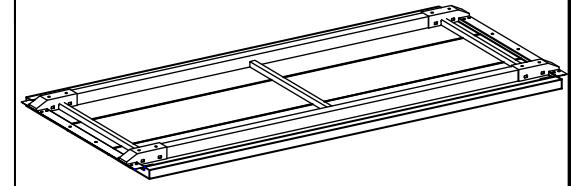
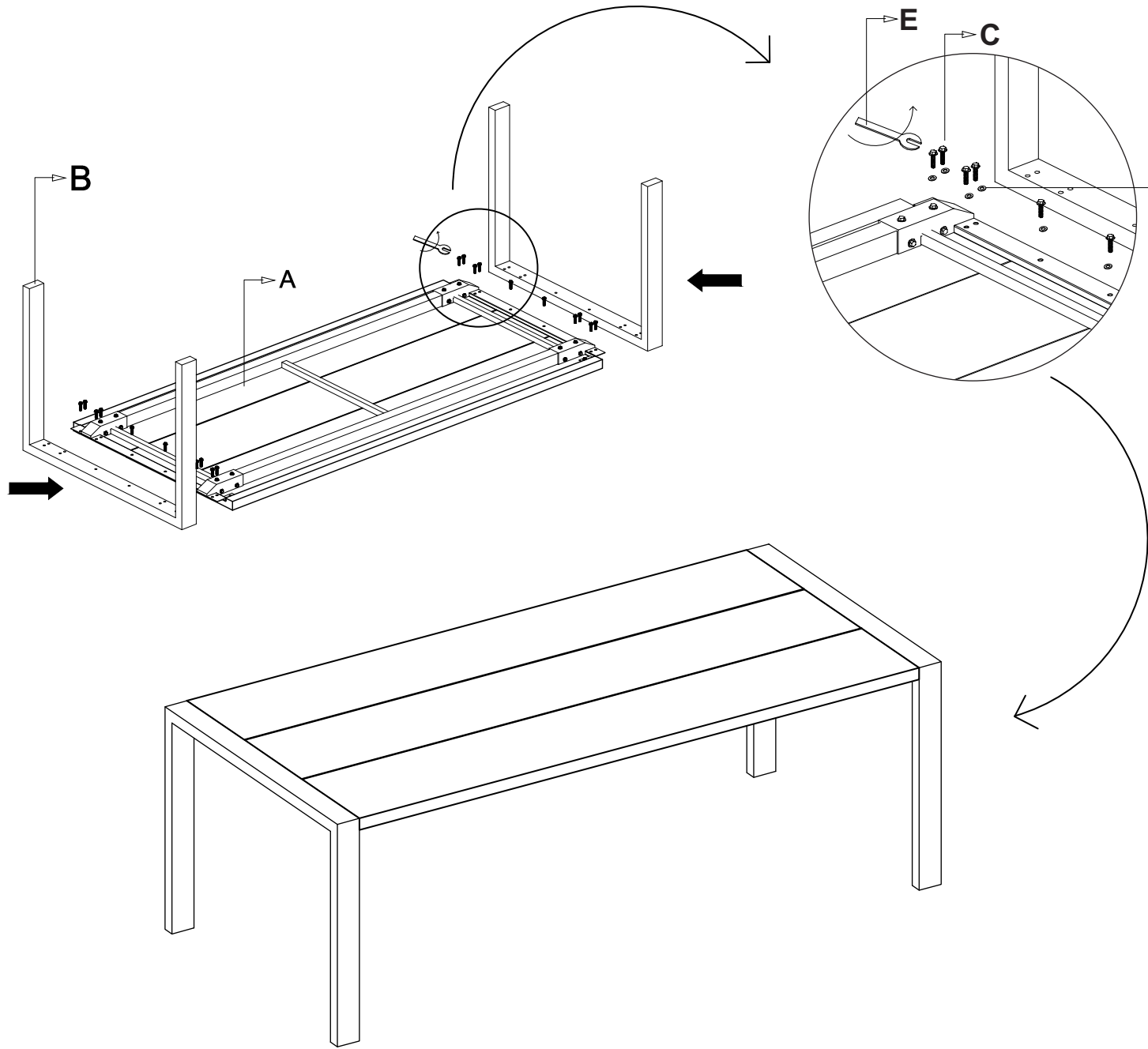
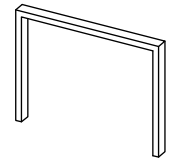


19050003/07



x1

A



x2

B



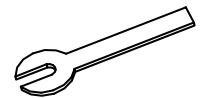
x20

C



x20

D



x1

E

