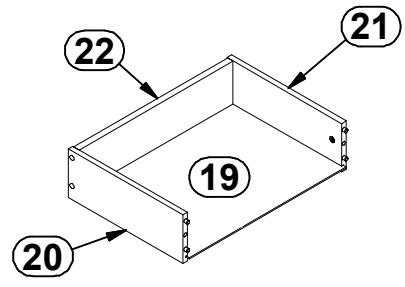
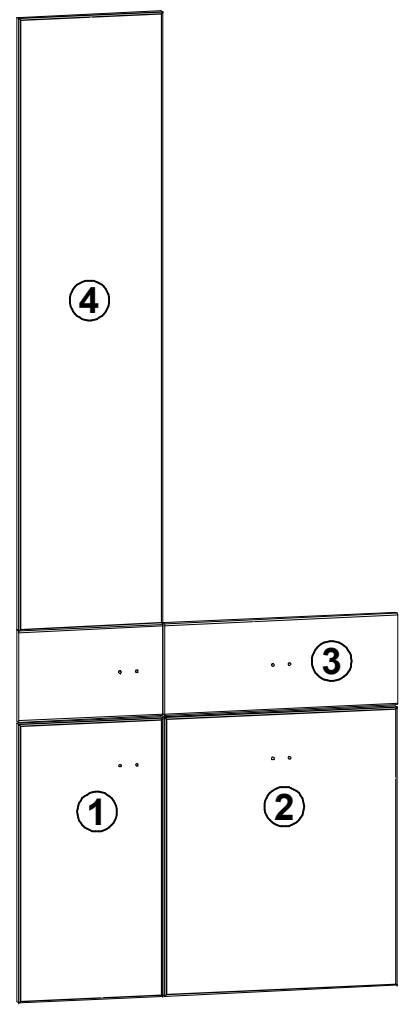
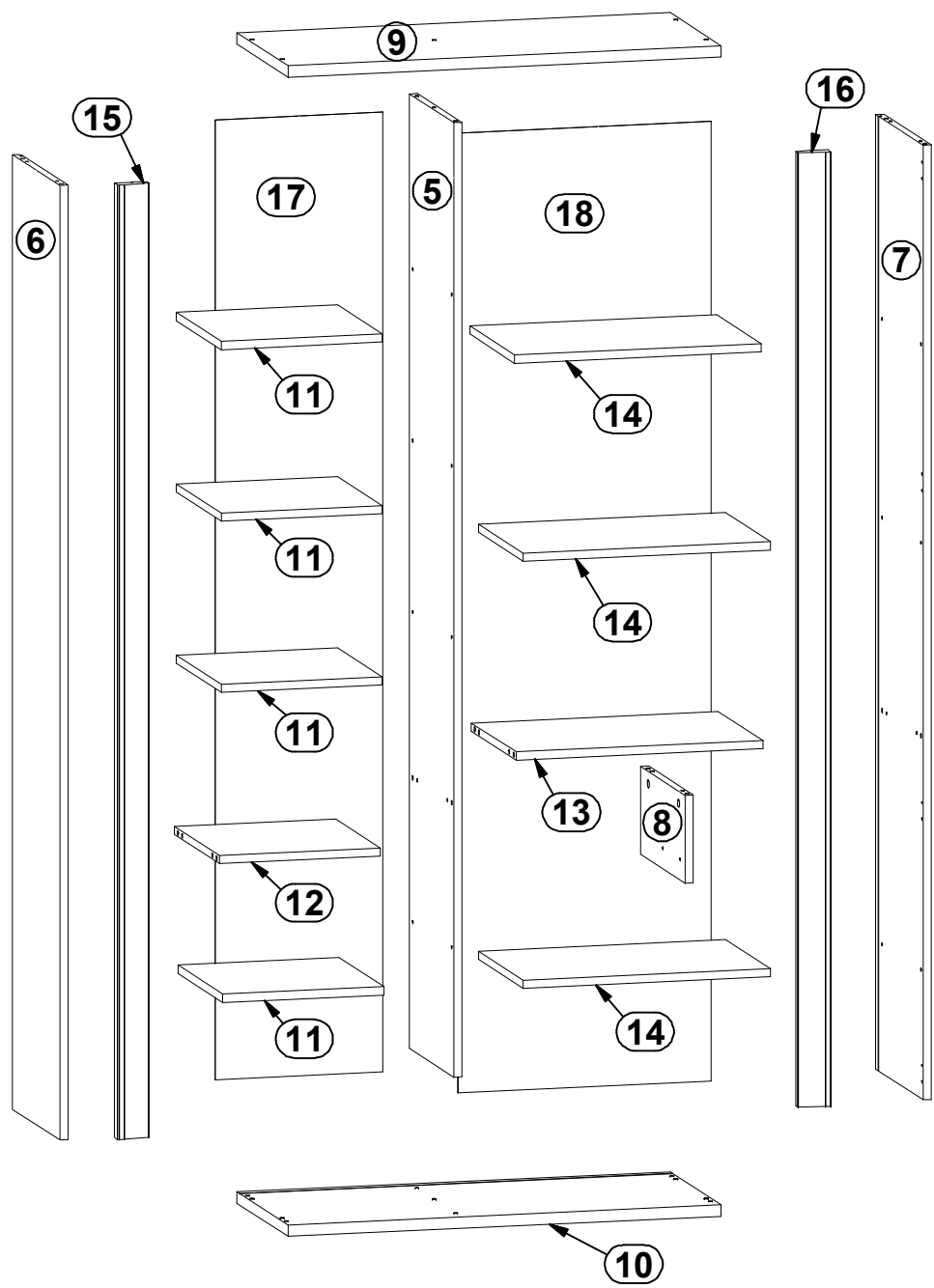


| A | B1 | B2 | C1 | C2 | C3 | D |
|----|-----------|-----|------|-----|-----|-----|
| 1 | S591-0001 | -.1 | 524 | 276 | 16 | 3/3 |
| 2 | S591-0002 | -.1 | 524 | 446 | 16 | 3/3 |
| 3 | S591-0003 | -.2 | 446 | 172 | 15 | 3/3 |
| 4 | S591-0014 | -.4 | 1324 | 276 | 16 | 3/3 |
| 5 | S591-1001 | -.2 | 1860 | 332 | 16 | 2/3 |
| 6 | S591-1002 | -.1 | 1860 | 352 | 16 | 2/3 |
| 7 | S591-1003 | -.1 | 1860 | 352 | 16 | 2/3 |
| 8 | S591-1004 | -.1 | 171 | 332 | 16 | 1/3 |
| 9 | S591-2001 | -.1 | 860 | 380 | 22 | 1/3 |
| 10 | S591-2002 | -.1 | 860 | 380 | 22 | 1/3 |
| 11 | S591-3001 | -.1 | 320 | 332 | 16 | 1/3 |
| 12 | S591-3002 | -.1 | 320 | 332 | 16 | 1/3 |
| 13 | S591-3003 | -.1 | 490 | 332 | 16 | 1/3 |
| 14 | S591-3004 | -.1 | 490 | 332 | 16 | 1/3 |
| 15 | S591-5001 | -.1 | 1860 | 64 | 25 | 2/3 |
| 16 | S591-5002 | -.1 | 1860 | 64 | 25 | 2/3 |
| 17 | S591-9001 | -.1 | 1870 | 333 | 2,5 | 2/3 |
| 18 | S591-9010 | -.1 | 1870 | 503 | 2,5 | 2/3 |
| 19 | WSP-9550 | - | 412 | 308 | 2,5 | 3/3 |
| 20 | WSQ2-5003 | -.3 | 300 | 110 | 12 | 1/3 |
| 21 | WSQ2-5004 | -.3 | 300 | 110 | 12 | 1/3 |
| 22 | ZQ6-5075 | -.3 | 403 | 97 | 15 | 3/3 |

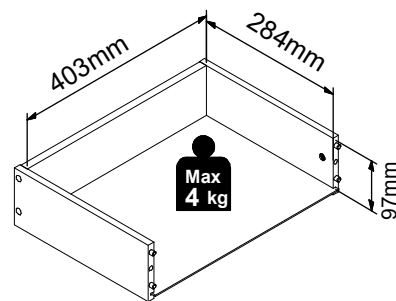
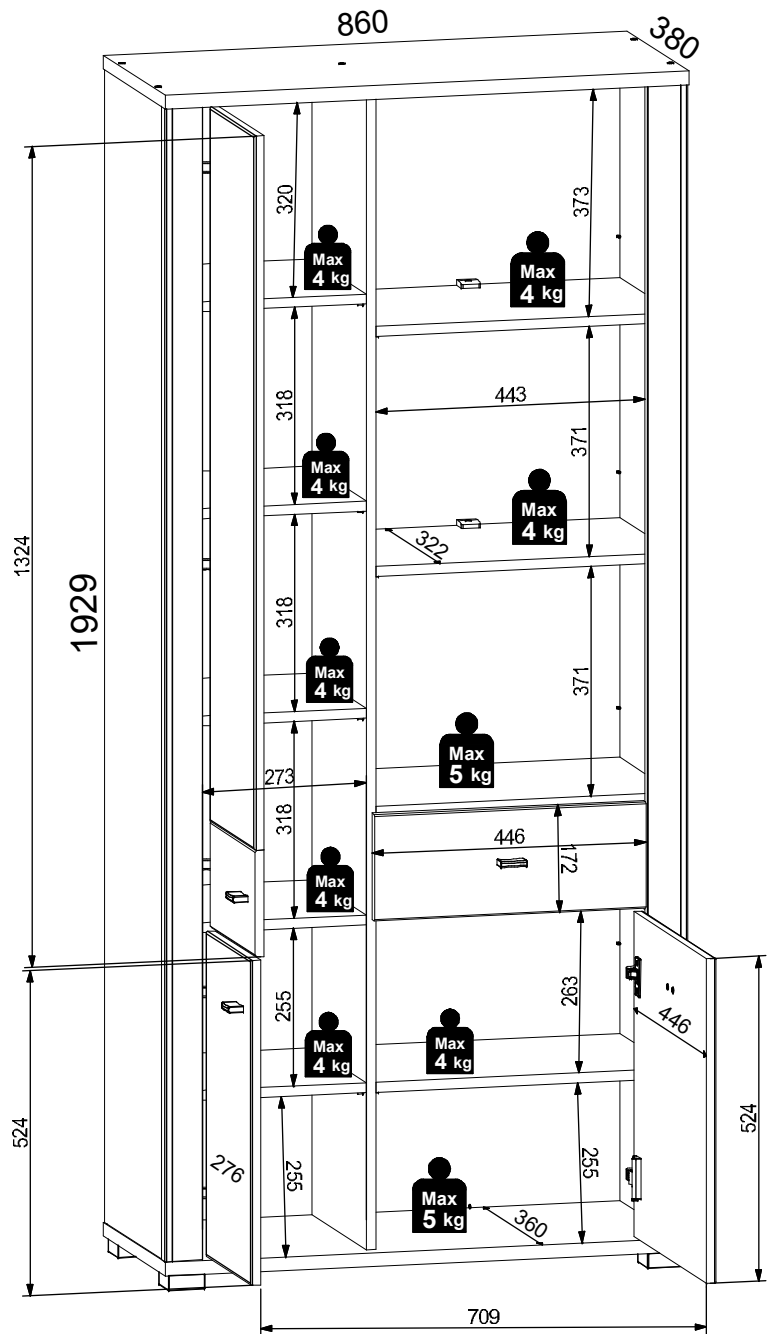


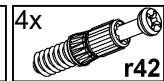
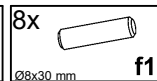
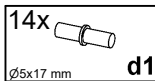
A

S591-REG3D1S

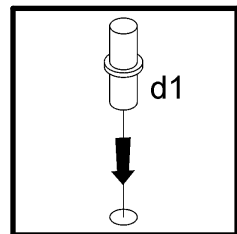
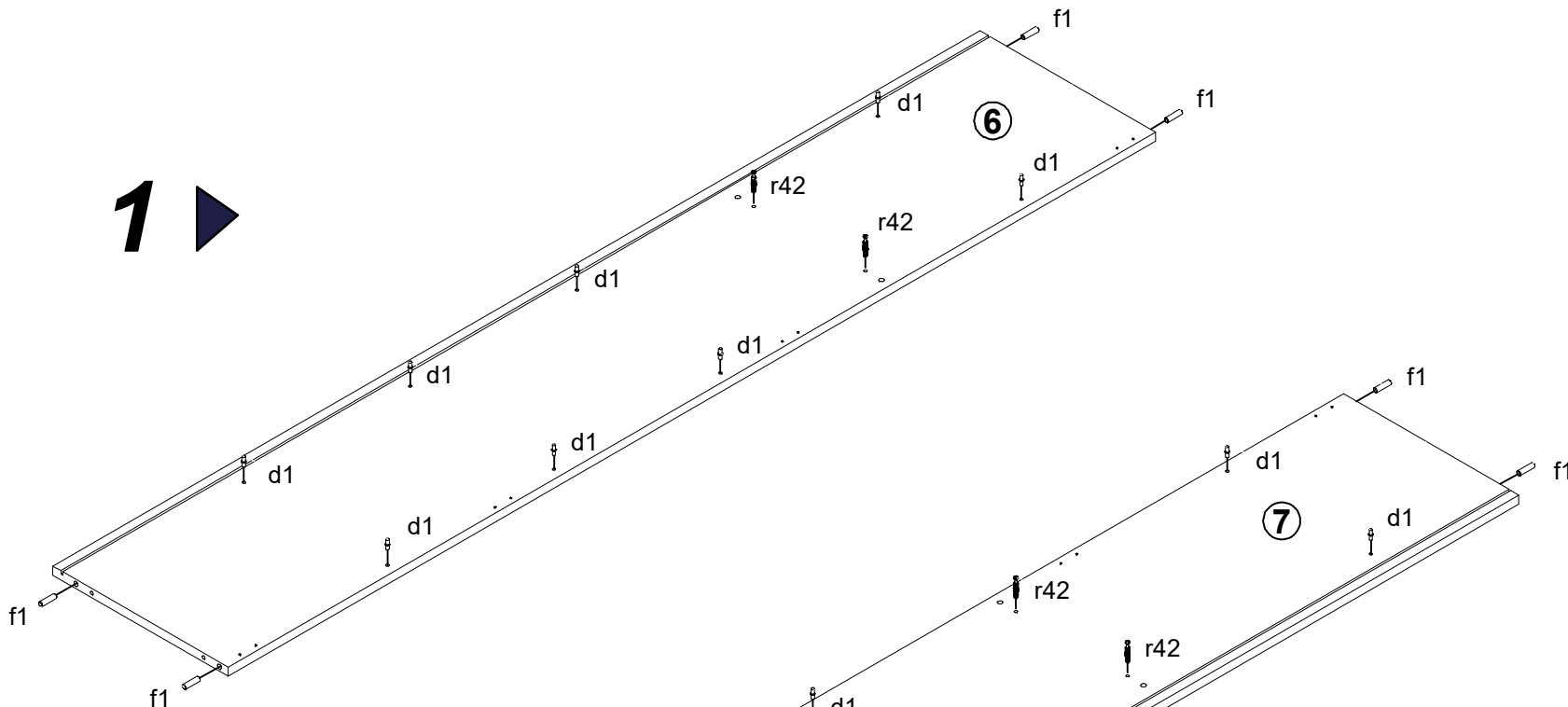
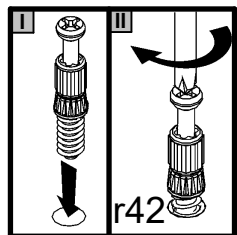
10 P8 2W 01

4 / 22

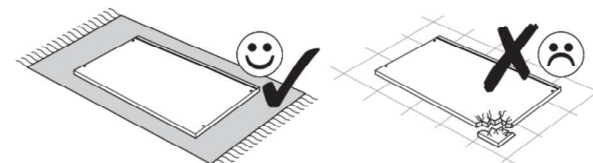
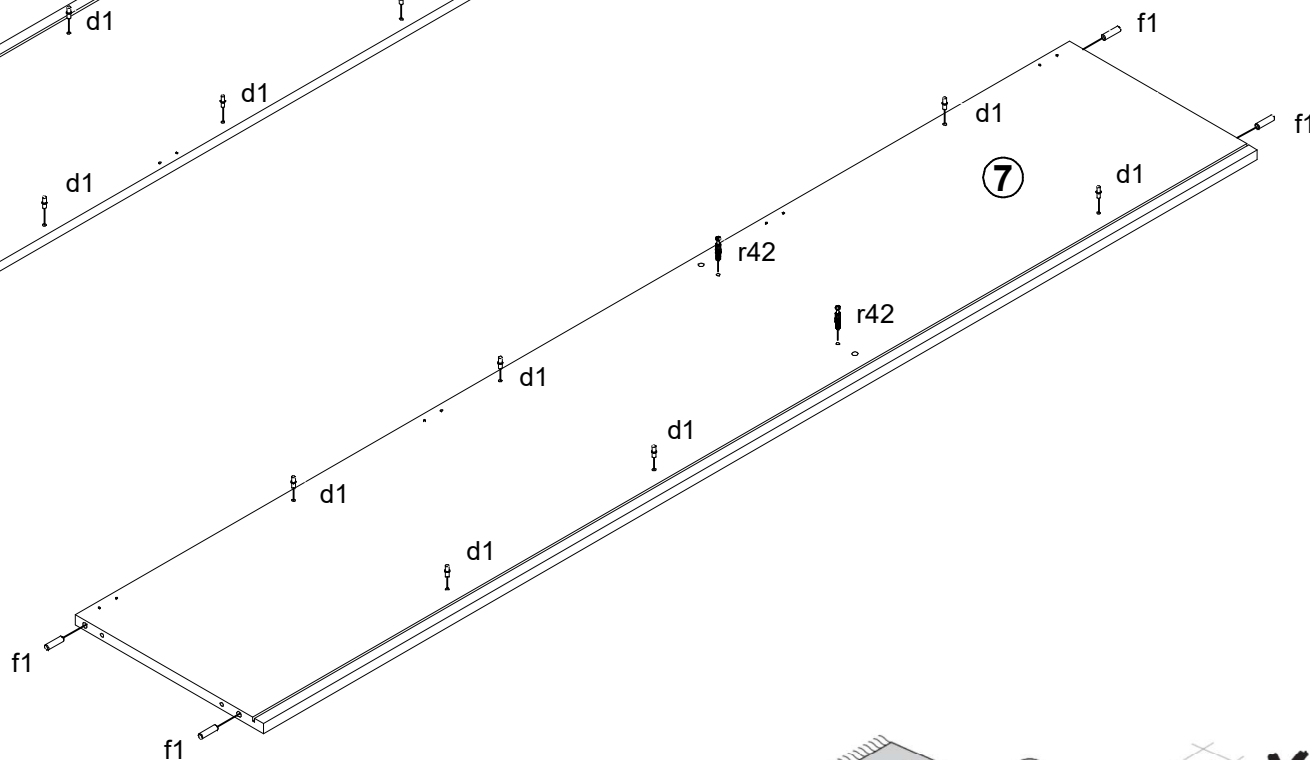
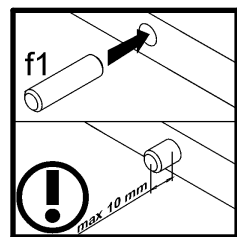


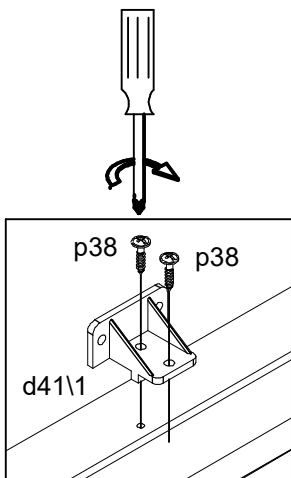
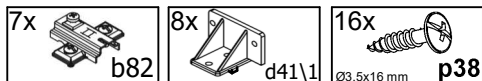


1 ▶

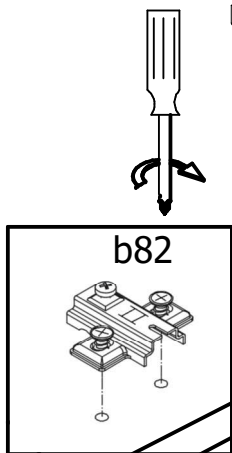
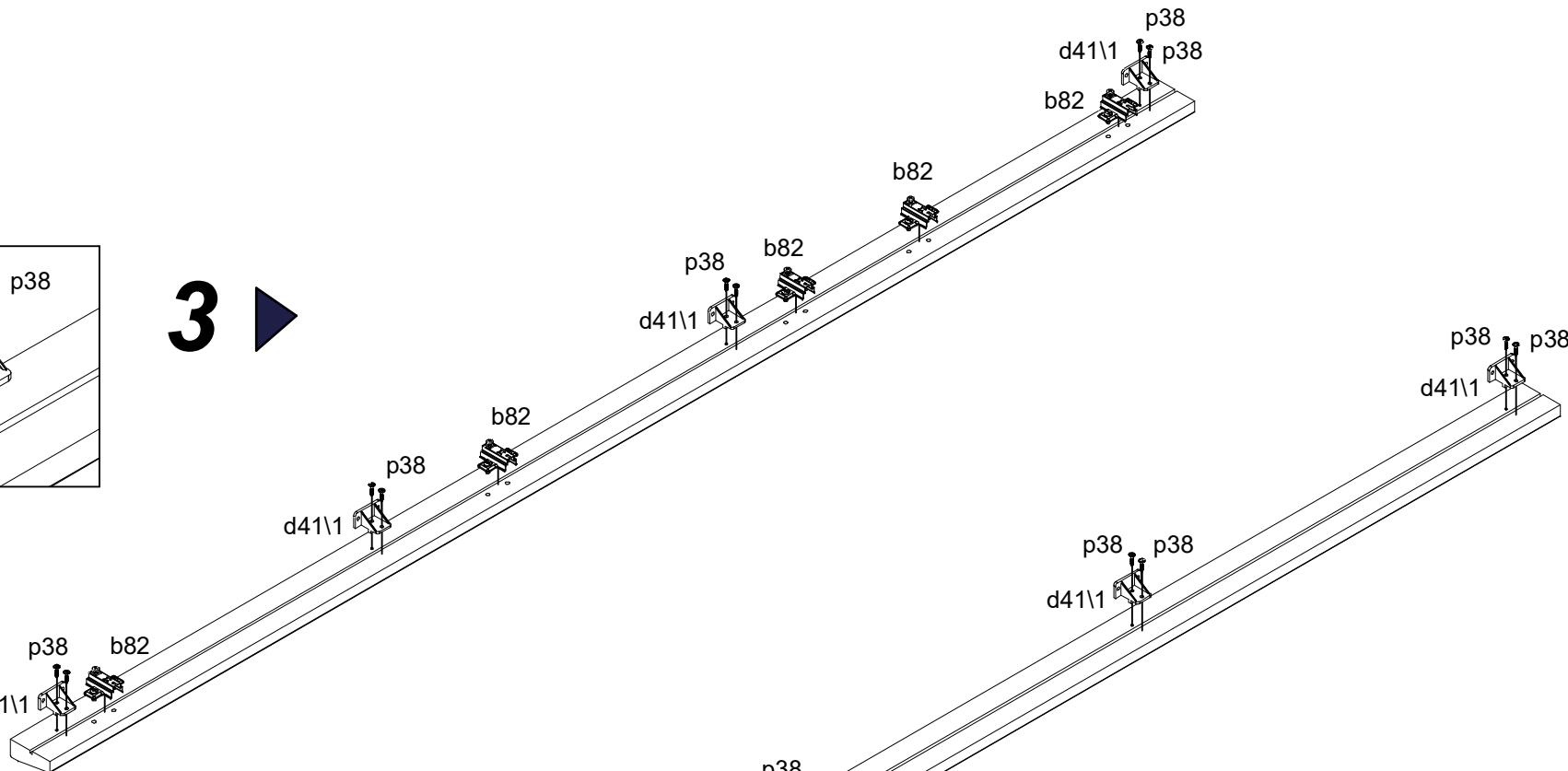


2 ▶

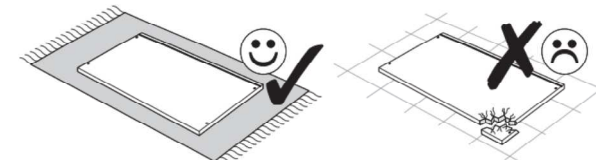
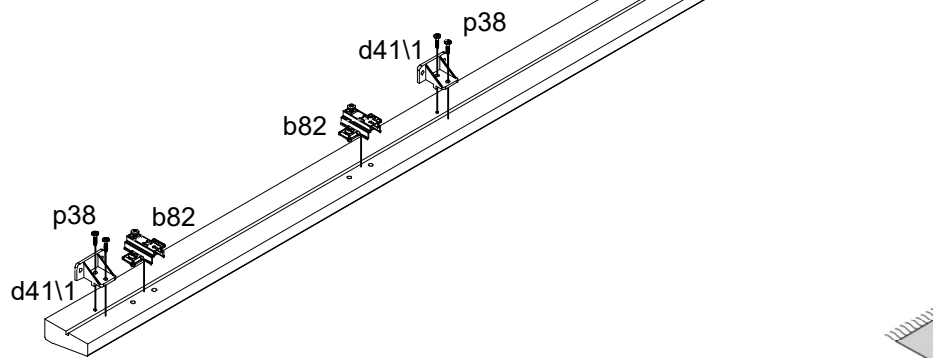


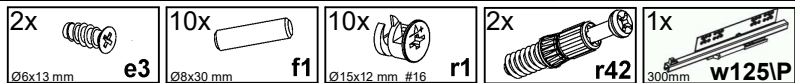


3 ▶

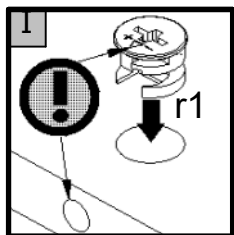
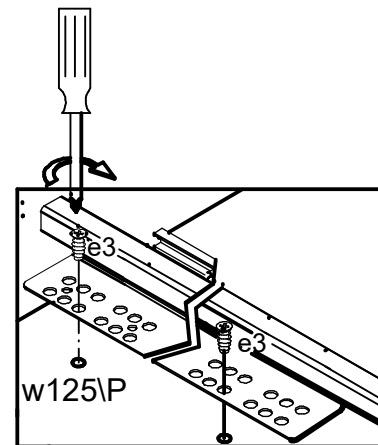
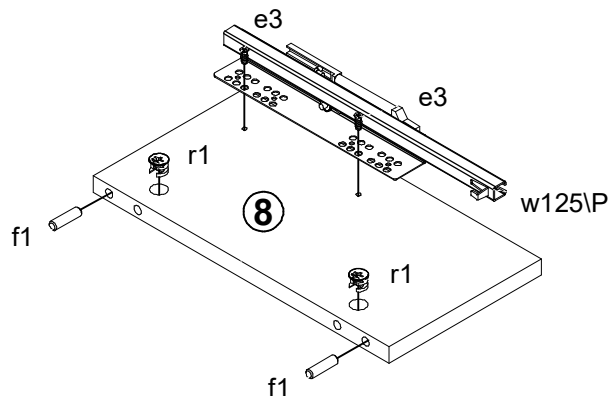


4 ▶

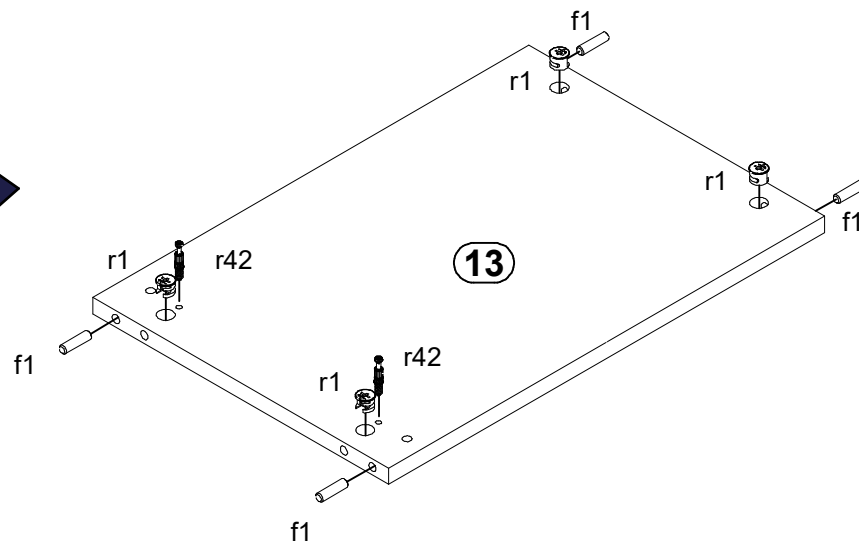




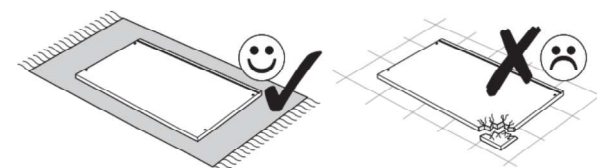
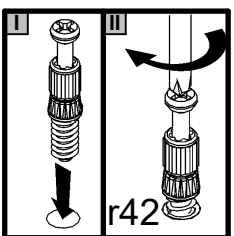
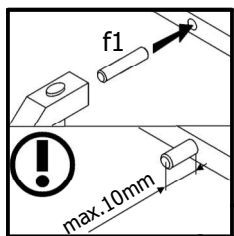
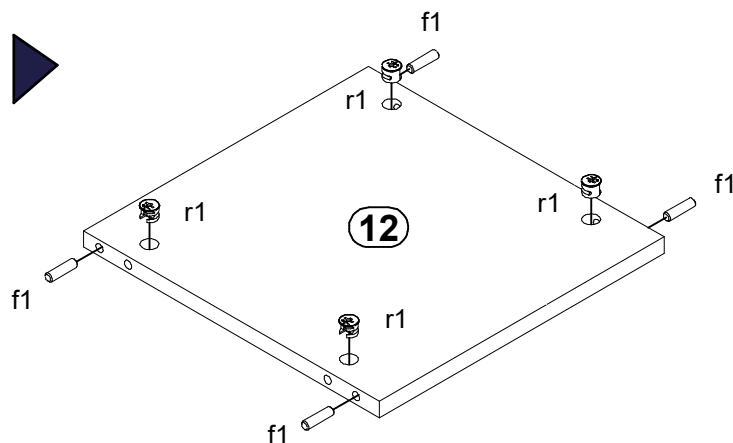
5 ▶

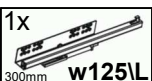
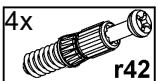
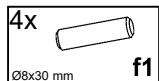
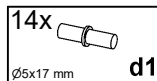


7 ▶

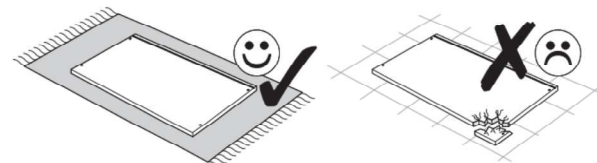
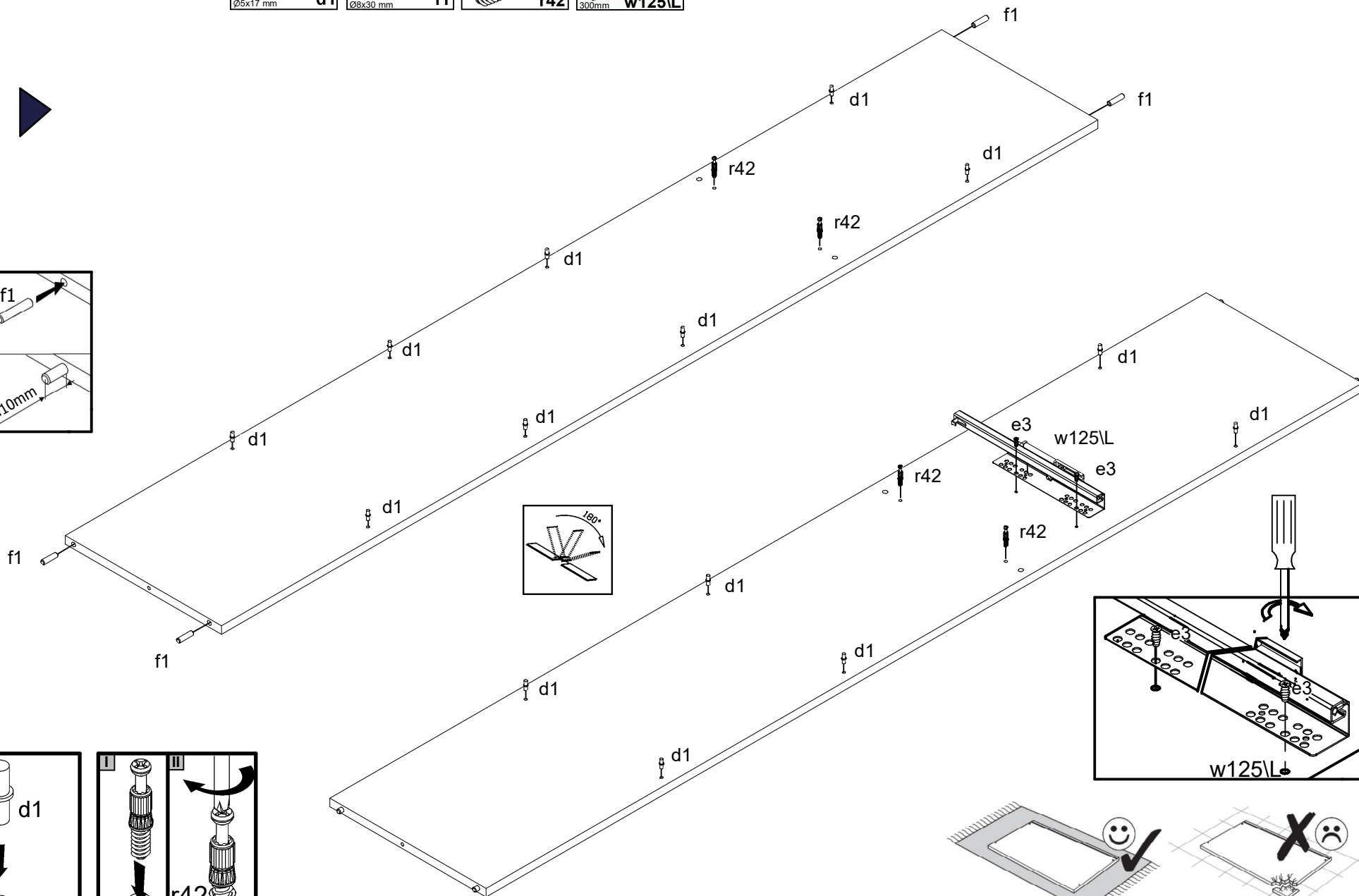
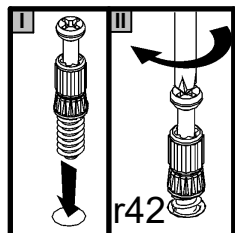
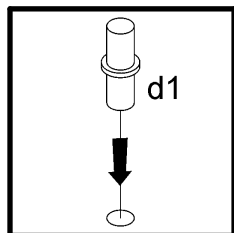
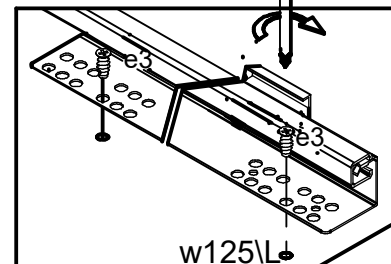
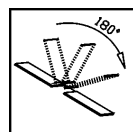
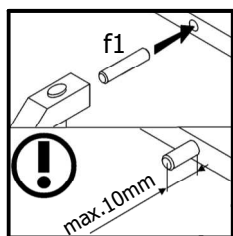


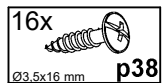
6 ▶



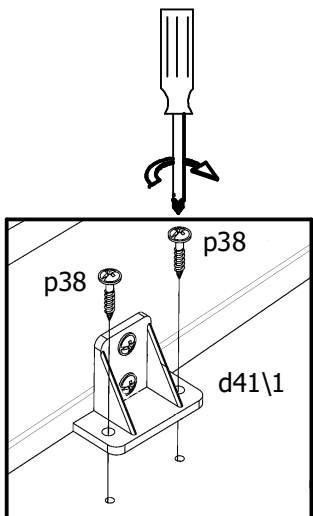
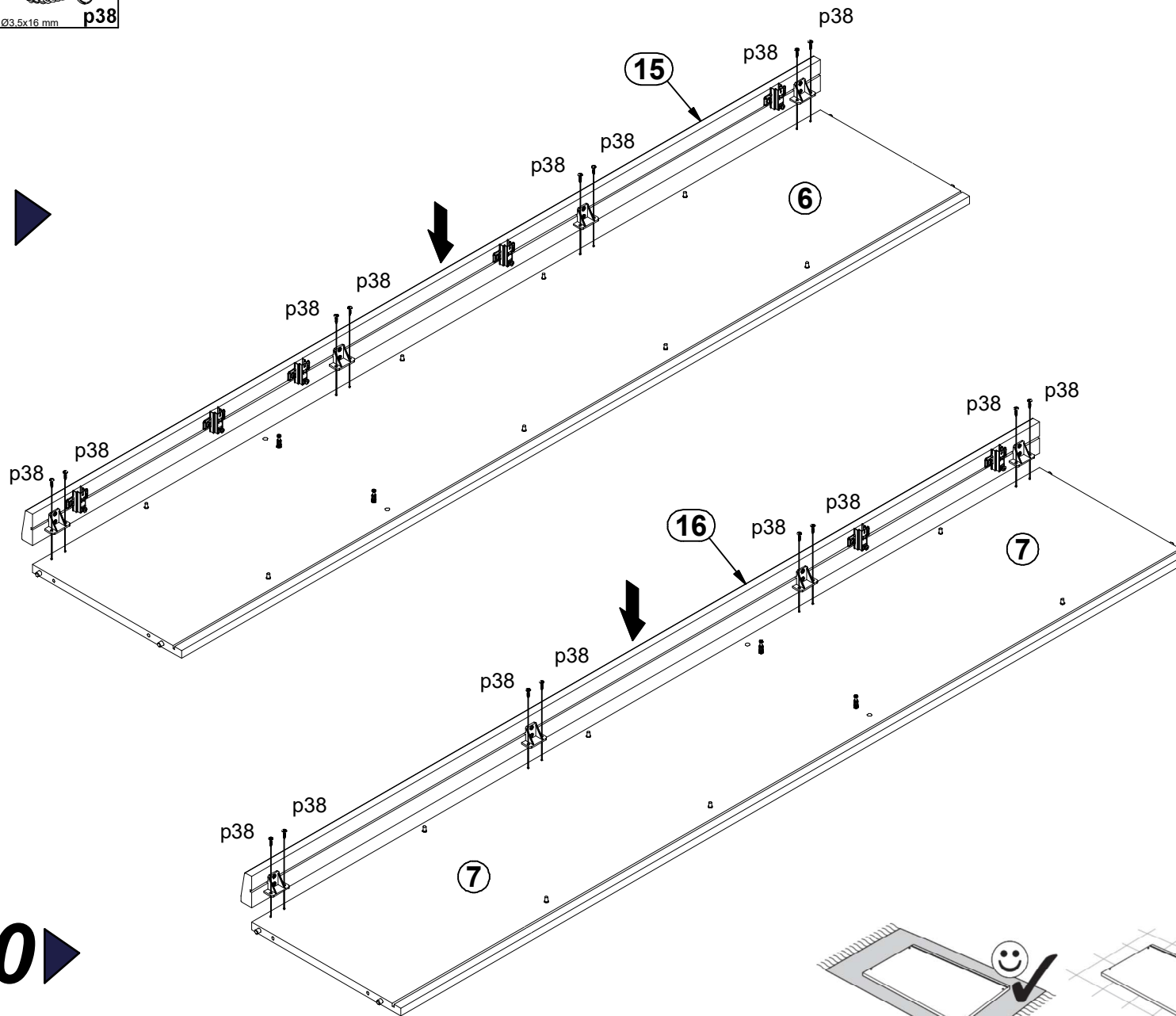


8 ▶

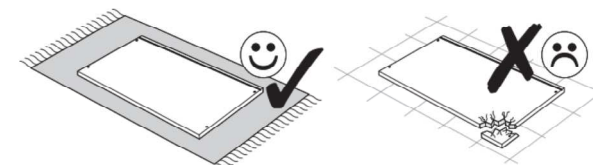


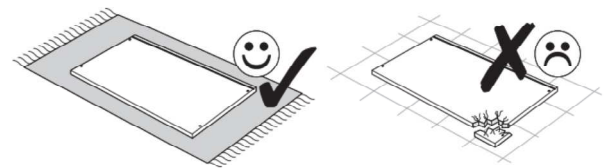


9 ▶

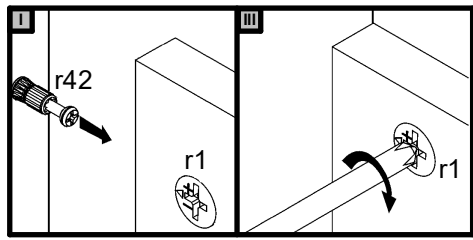
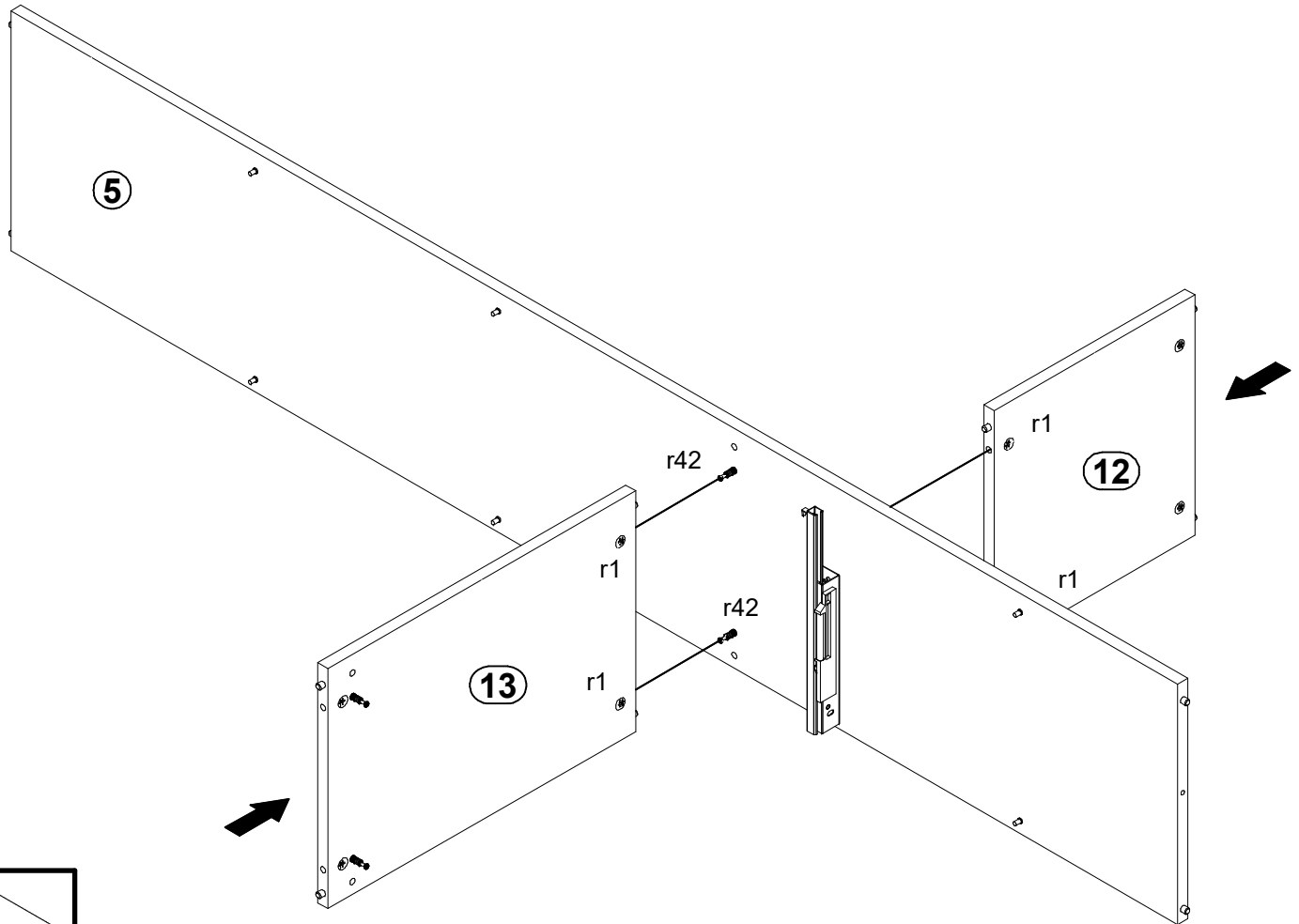


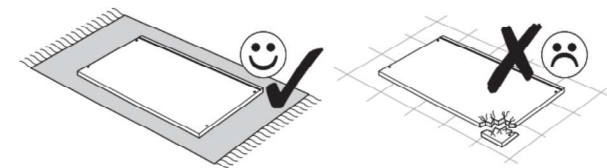
10 ▶



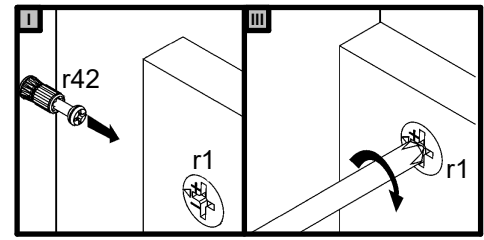
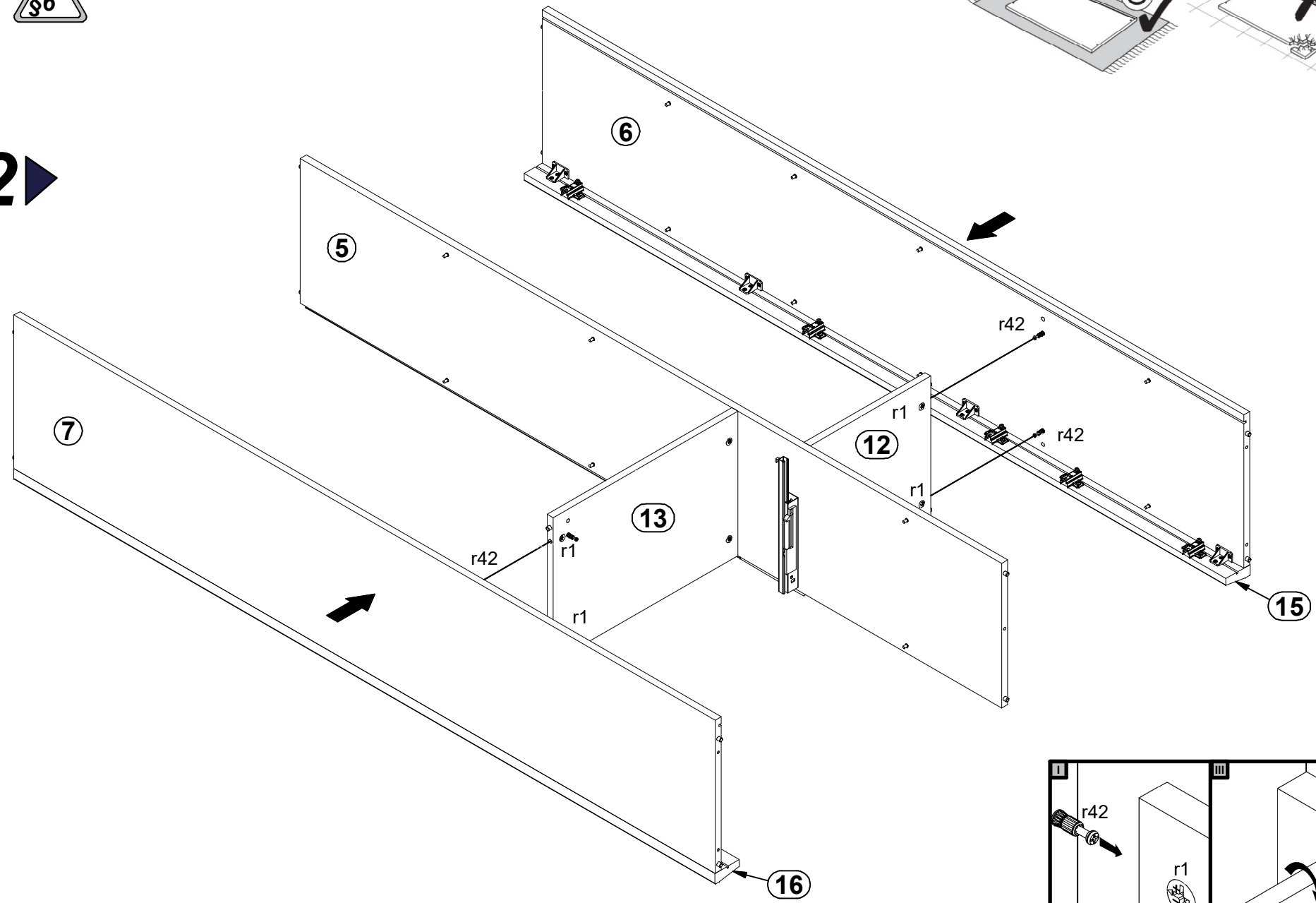


11 ▶



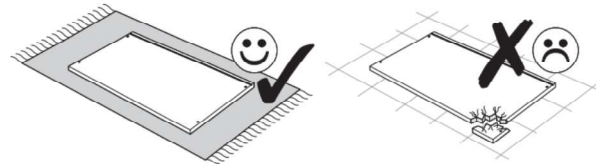
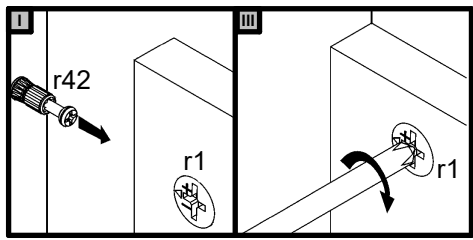
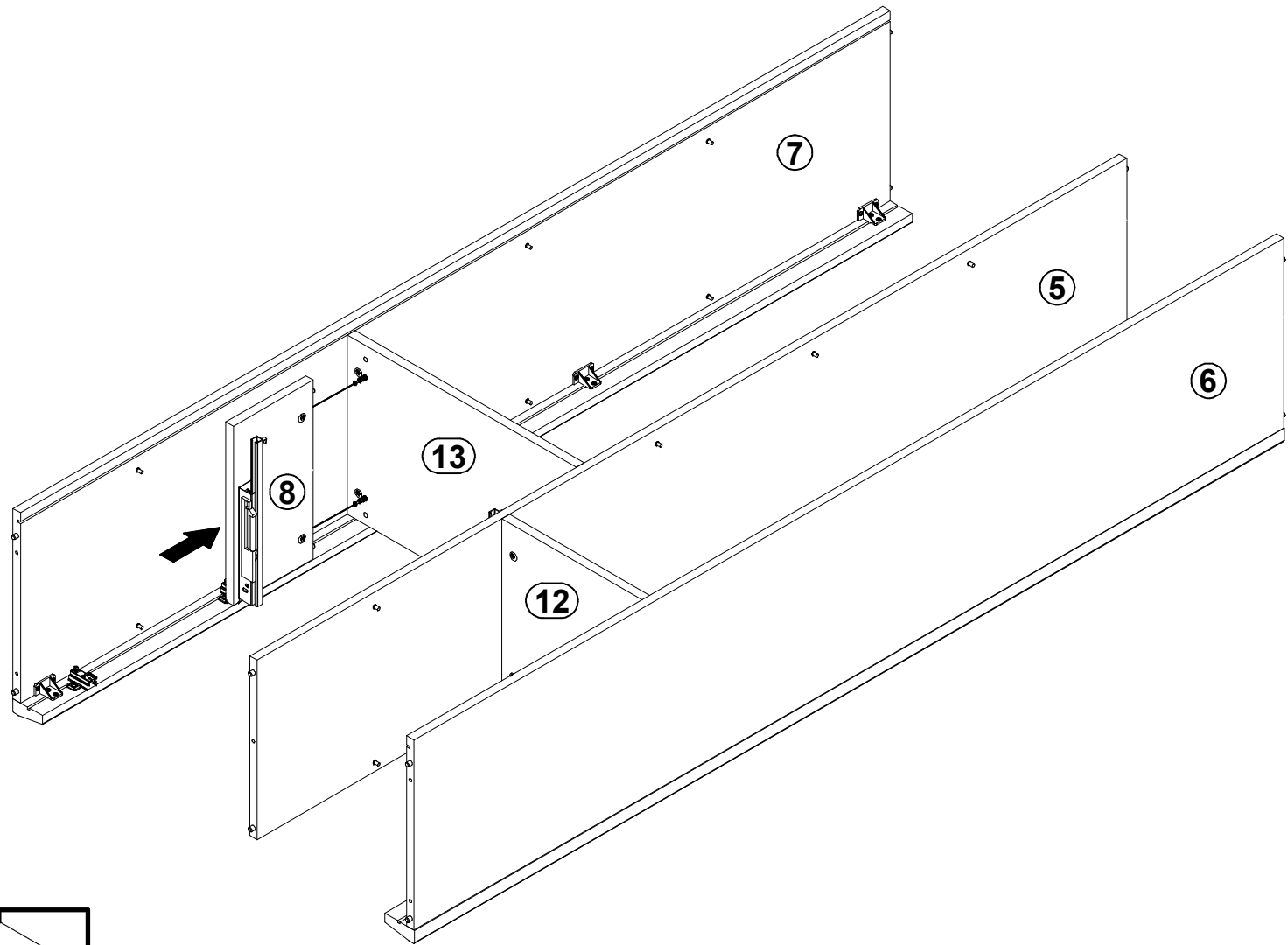


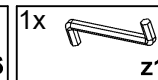
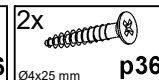
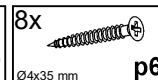
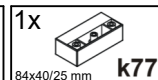
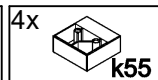
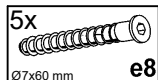
12 ▶



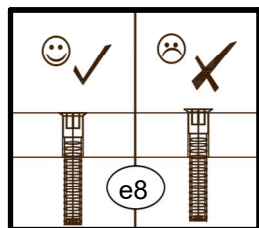
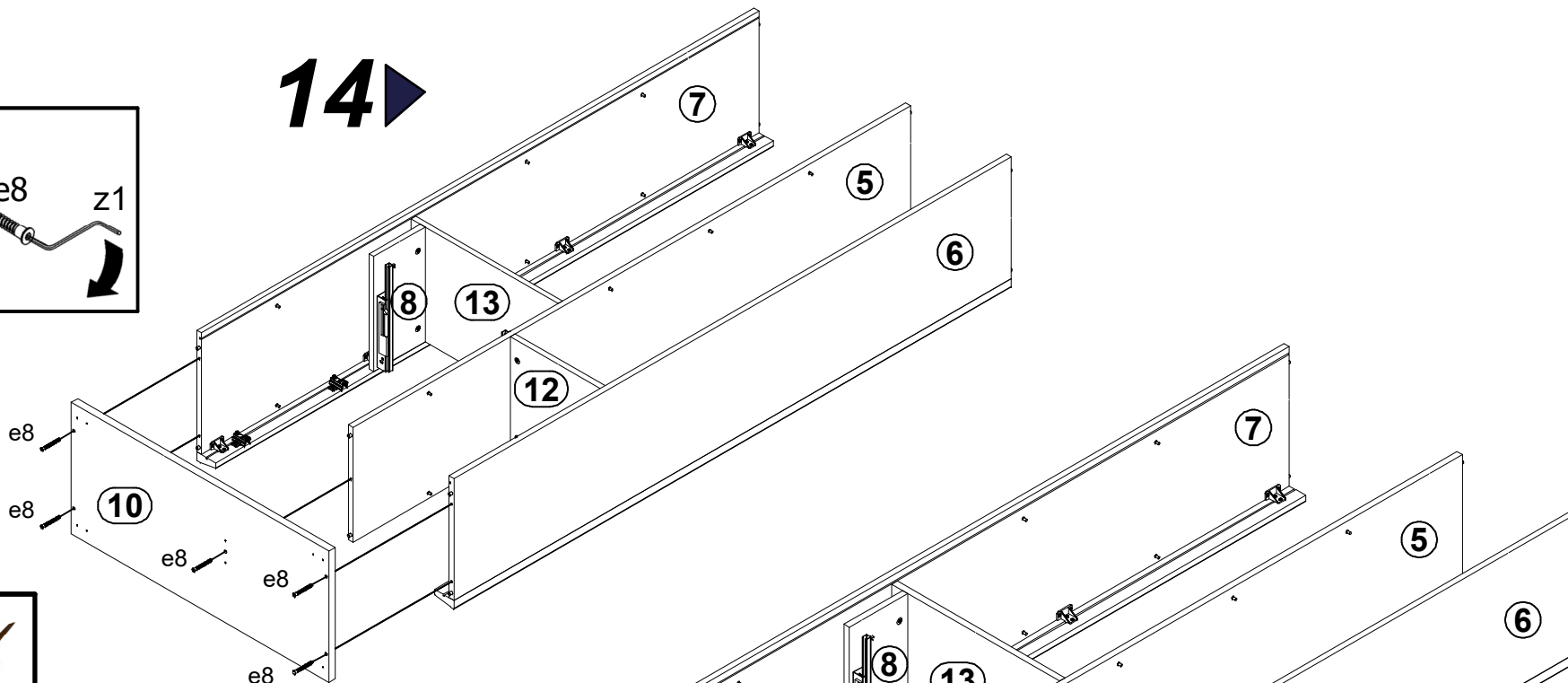
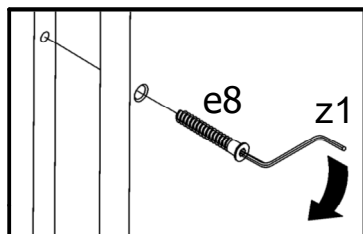


13 ▶

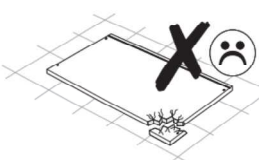
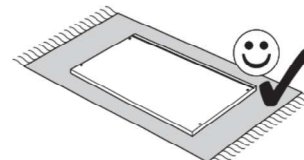
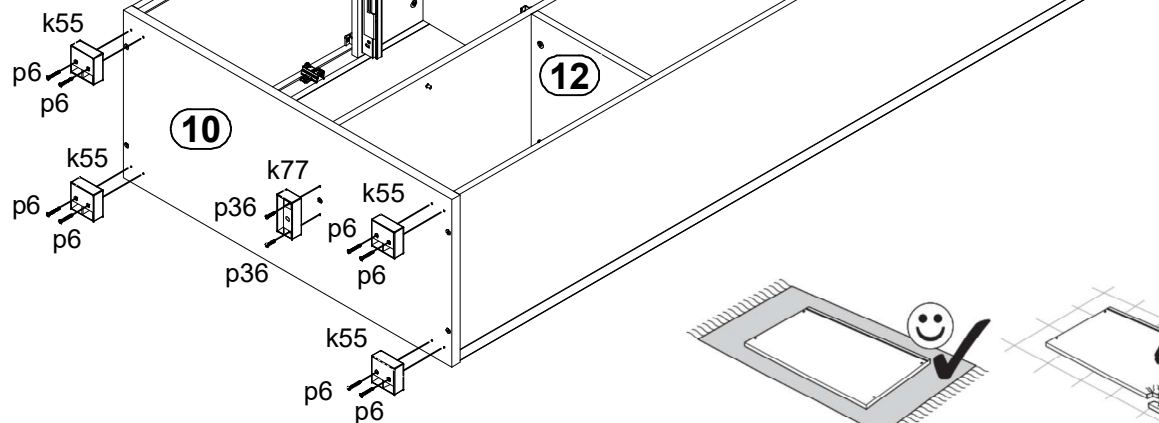
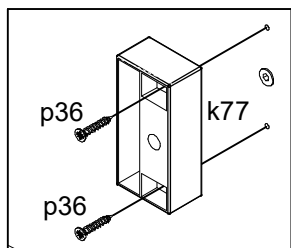
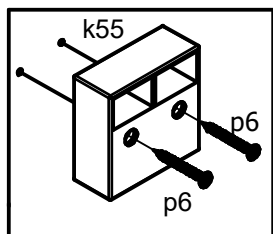


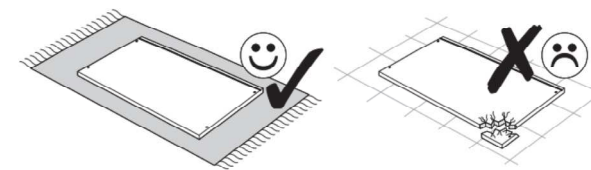
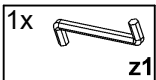
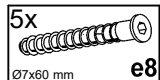


14

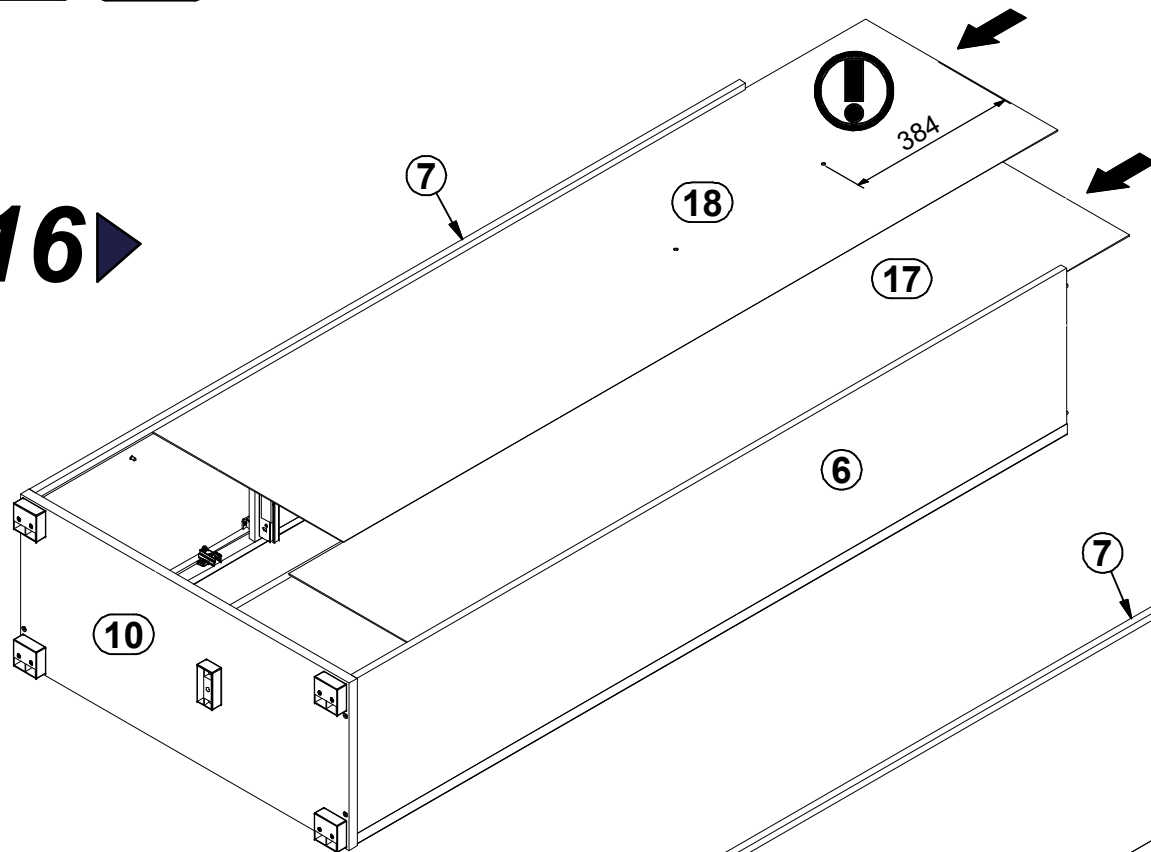


15

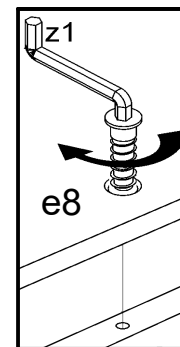
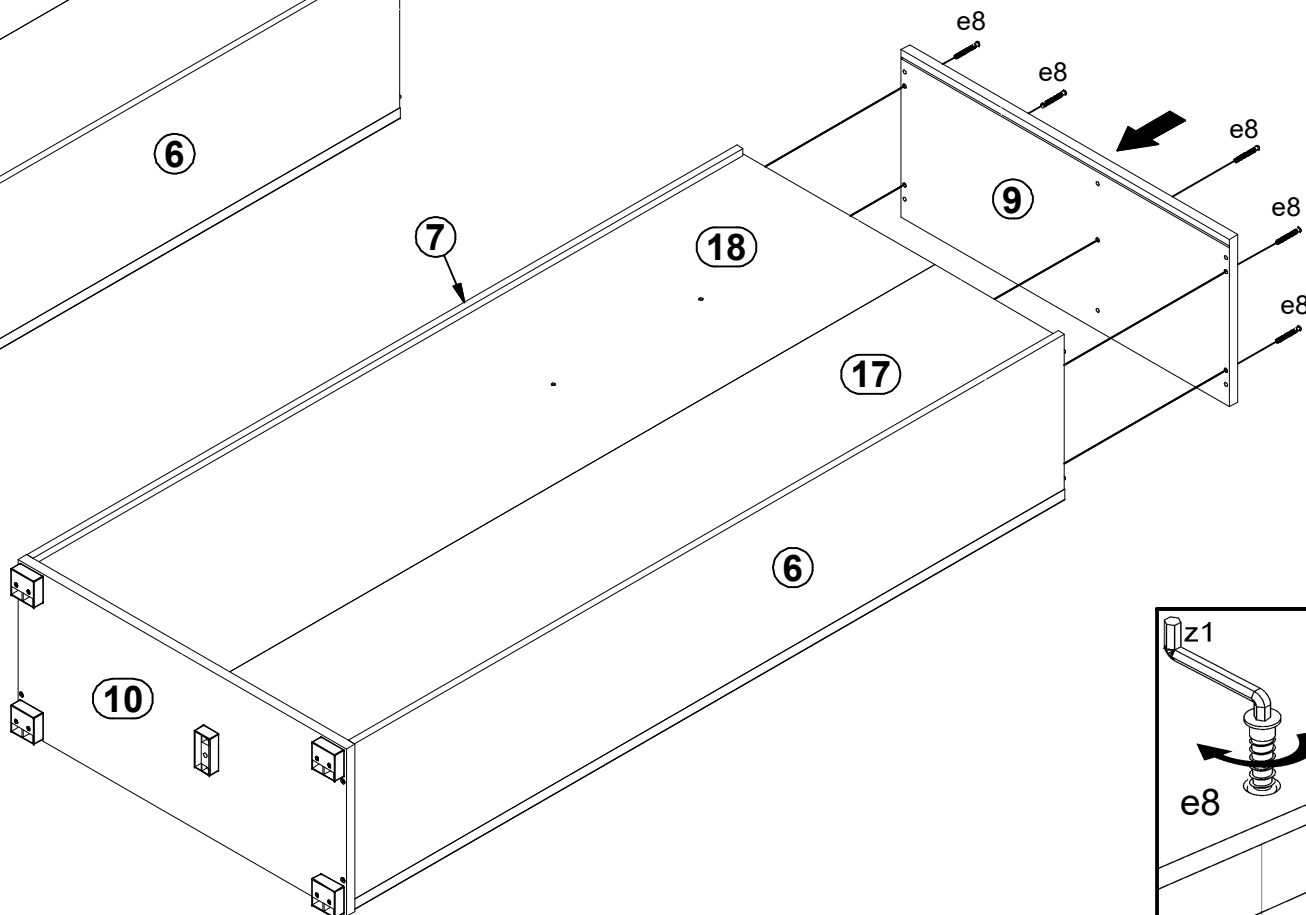


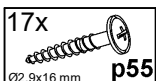
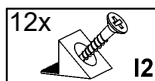


16 ▶



17 ▶

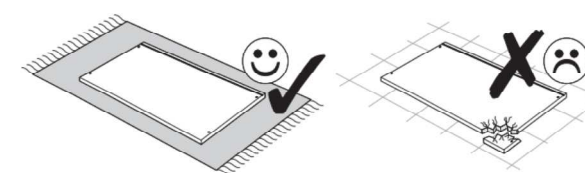
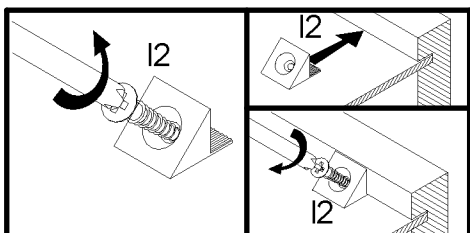
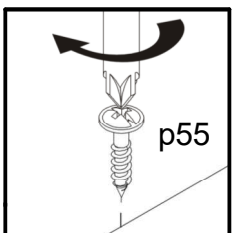
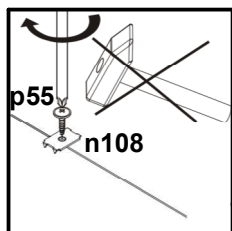
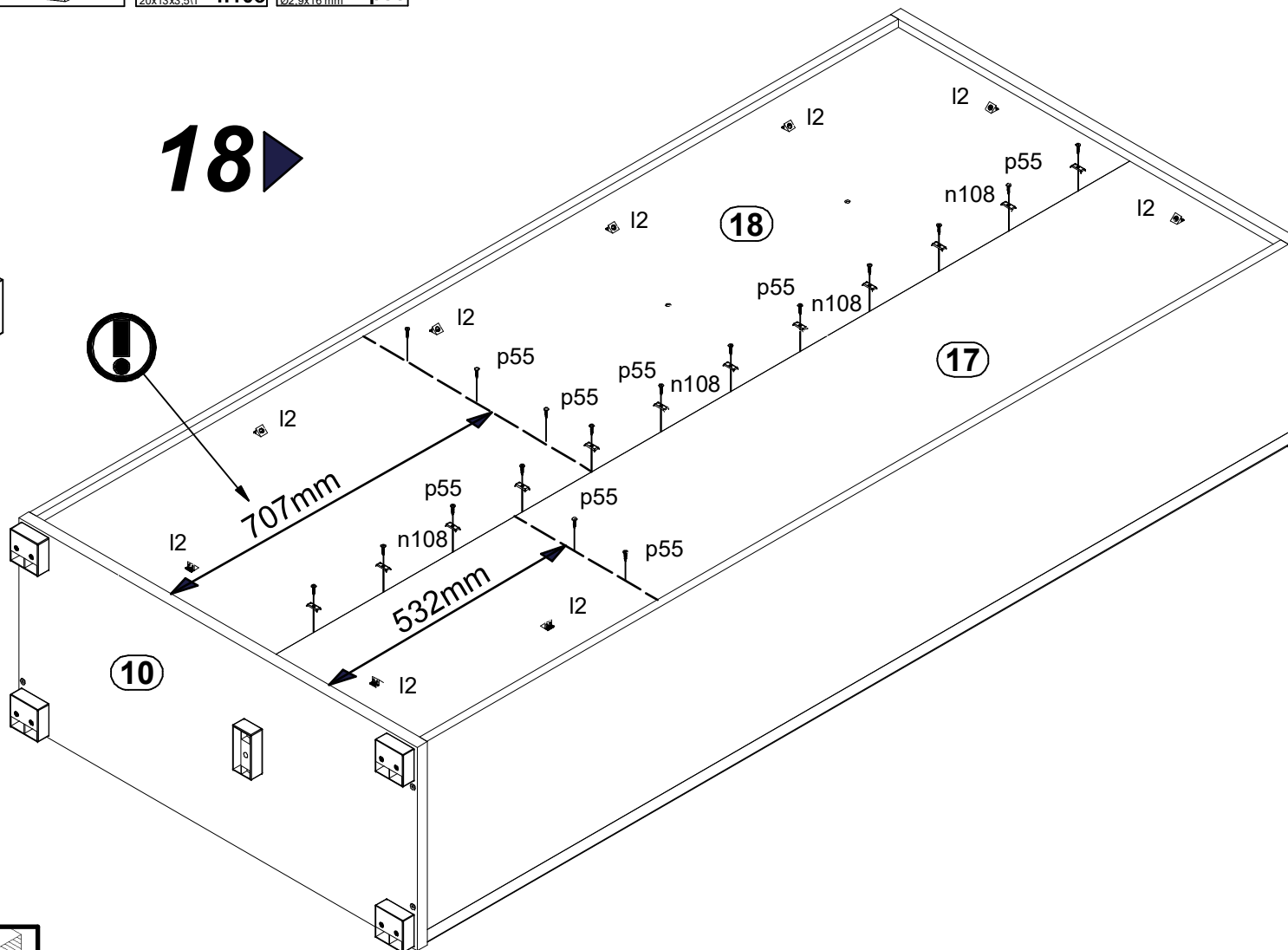
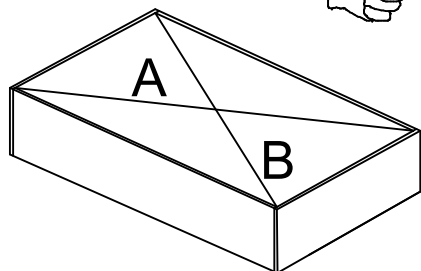


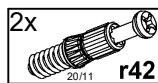
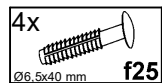
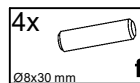


A=B



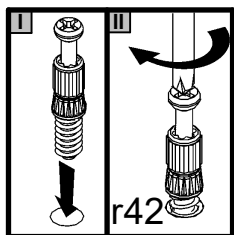
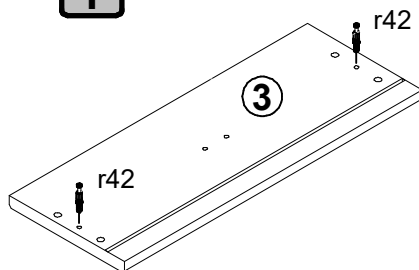
18



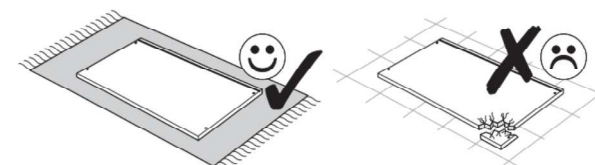
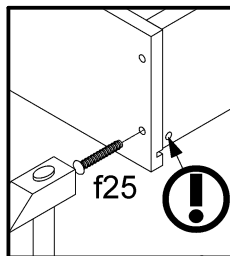
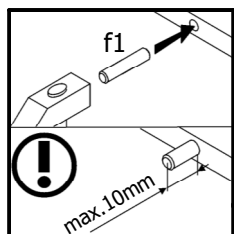
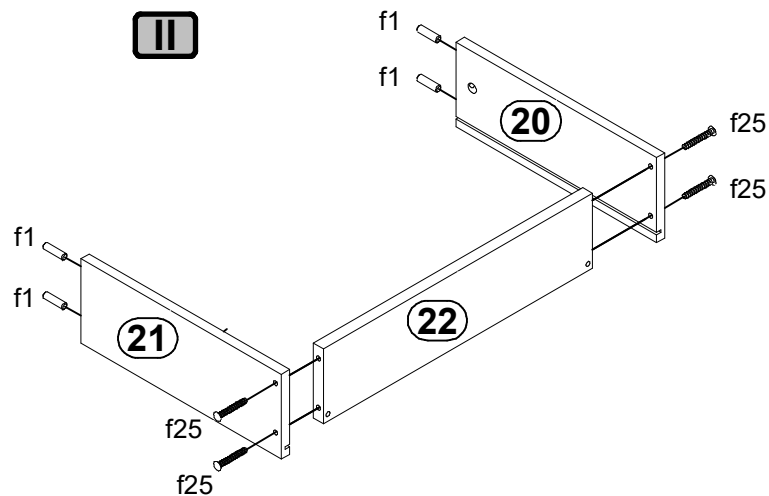


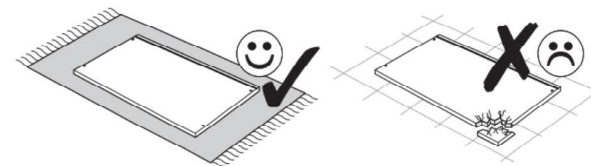
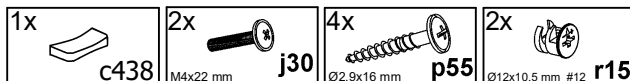
19 ▶

I

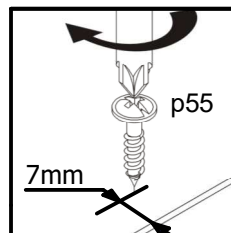
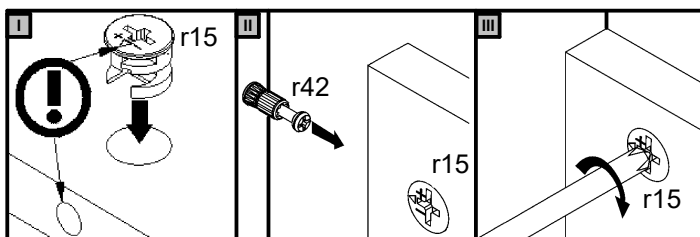
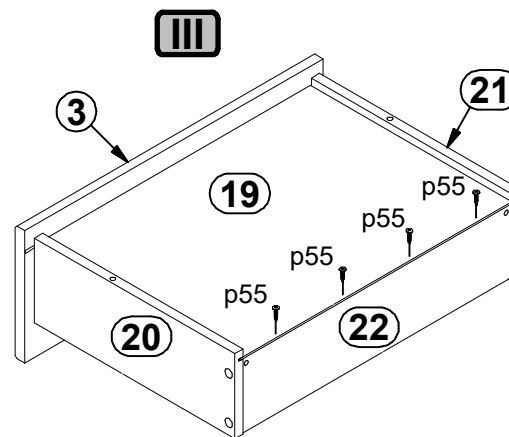
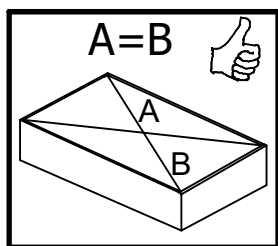
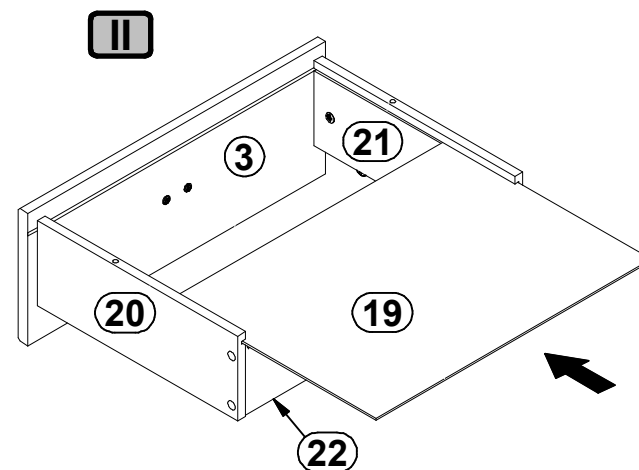
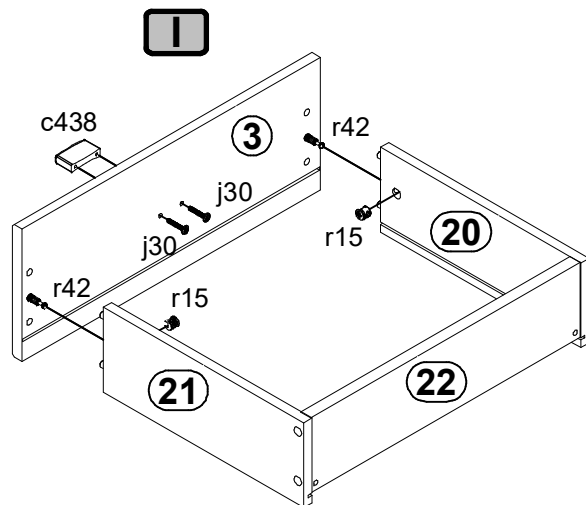
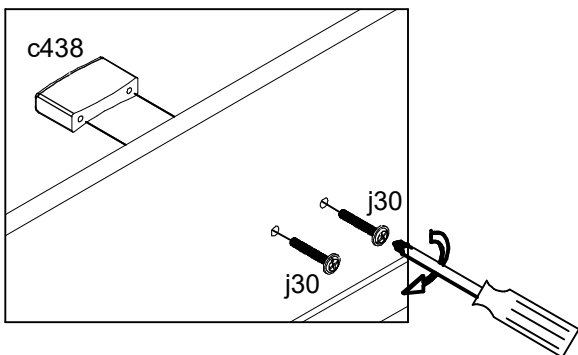


II



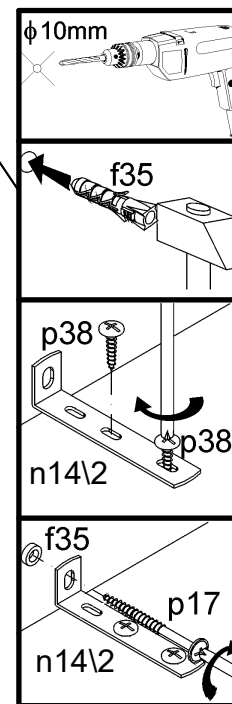
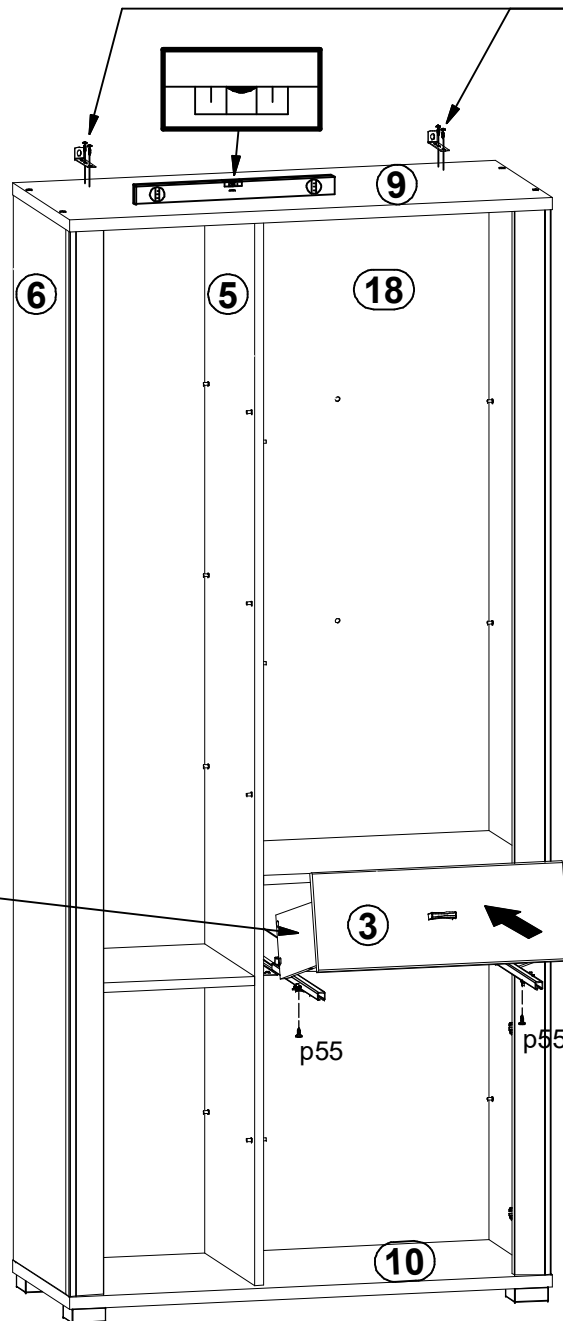
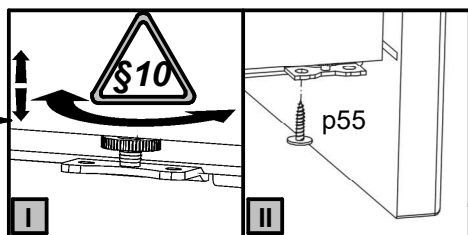
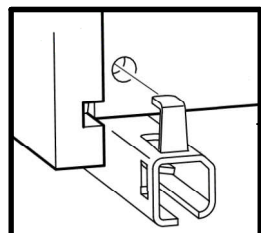
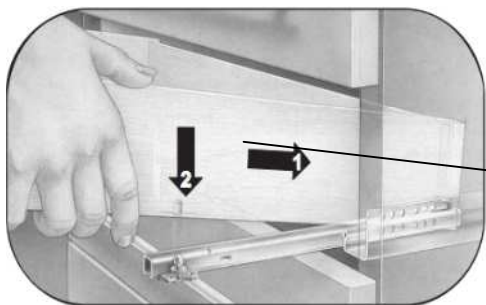
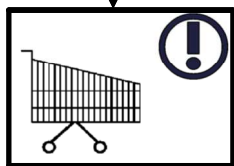
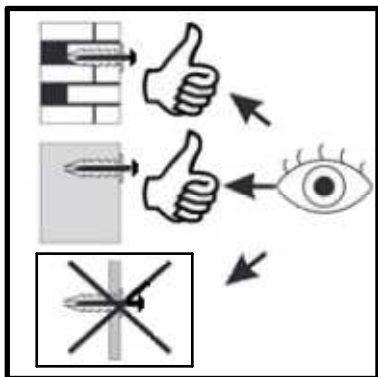


20

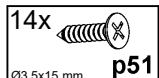
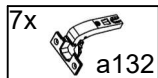




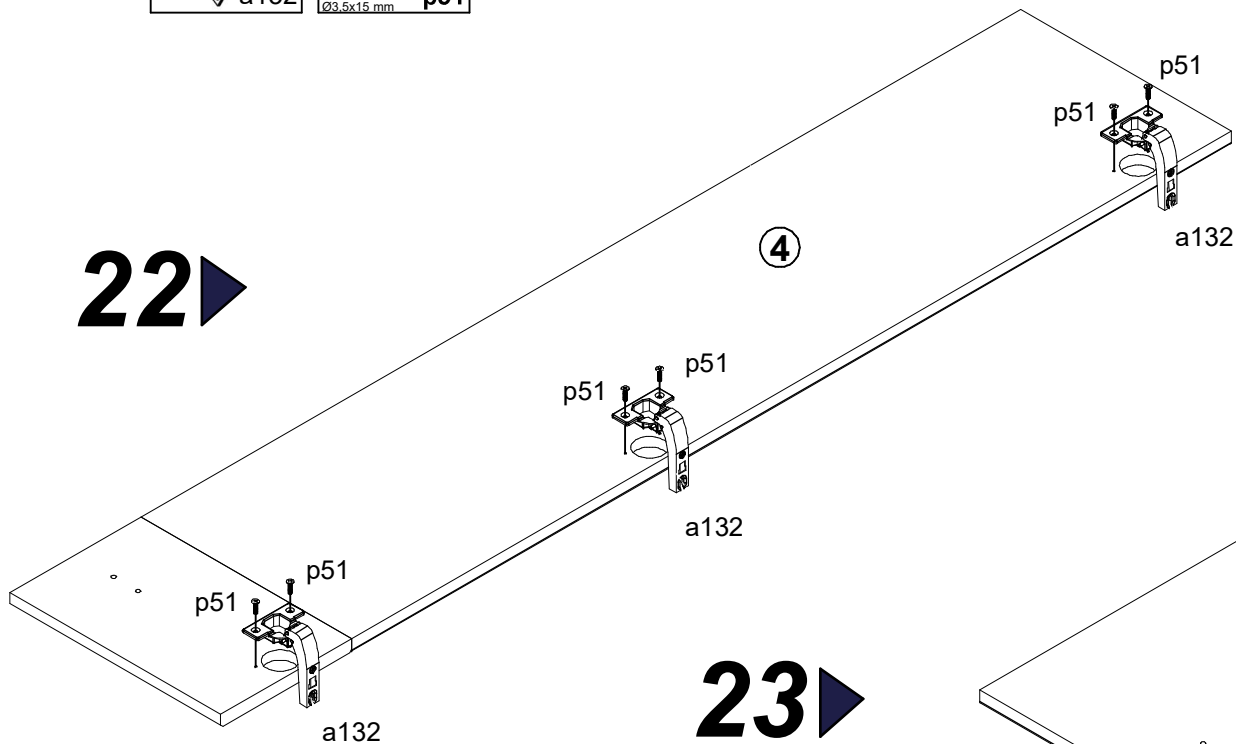
21 ▶



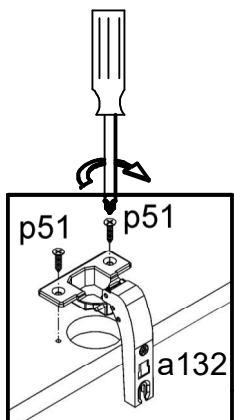
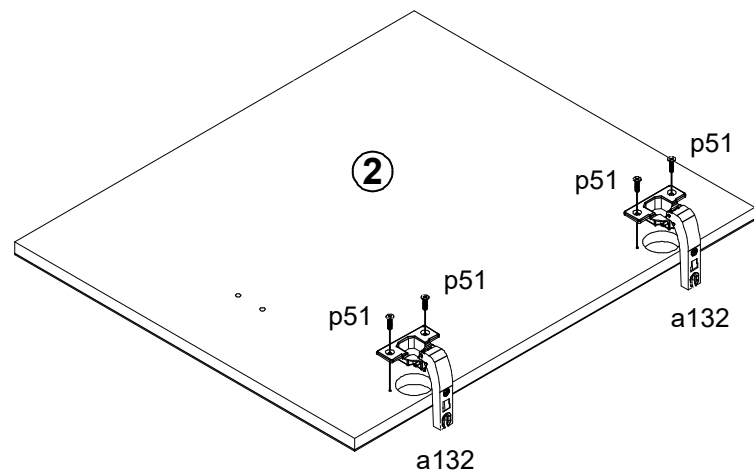
- 2x f35
Ø10x50 mm
- 2x n14/2
862 1x15/1.5
- 2x p17
Ø5x60 mm
- 4x p38
Ø3.5x16 mm
- 2x p55
Ø2.9x16 mm



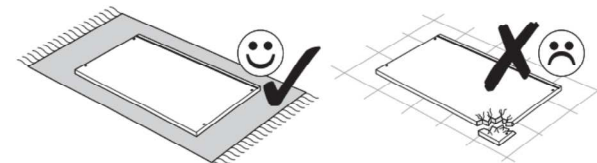
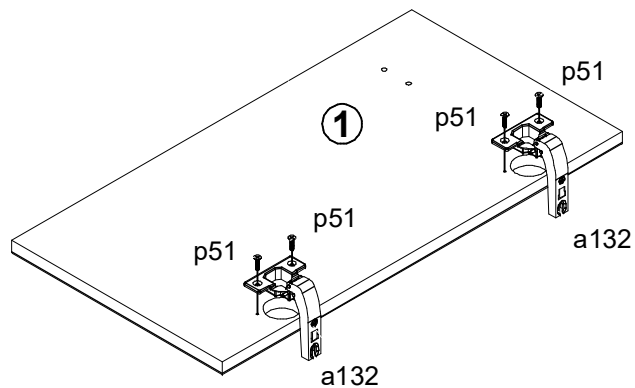
22 ▶

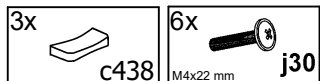


23 ▶

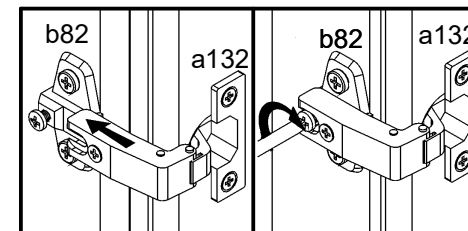
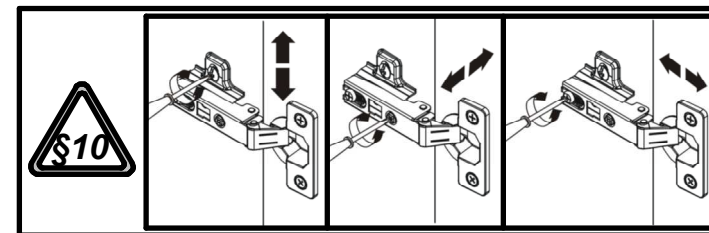
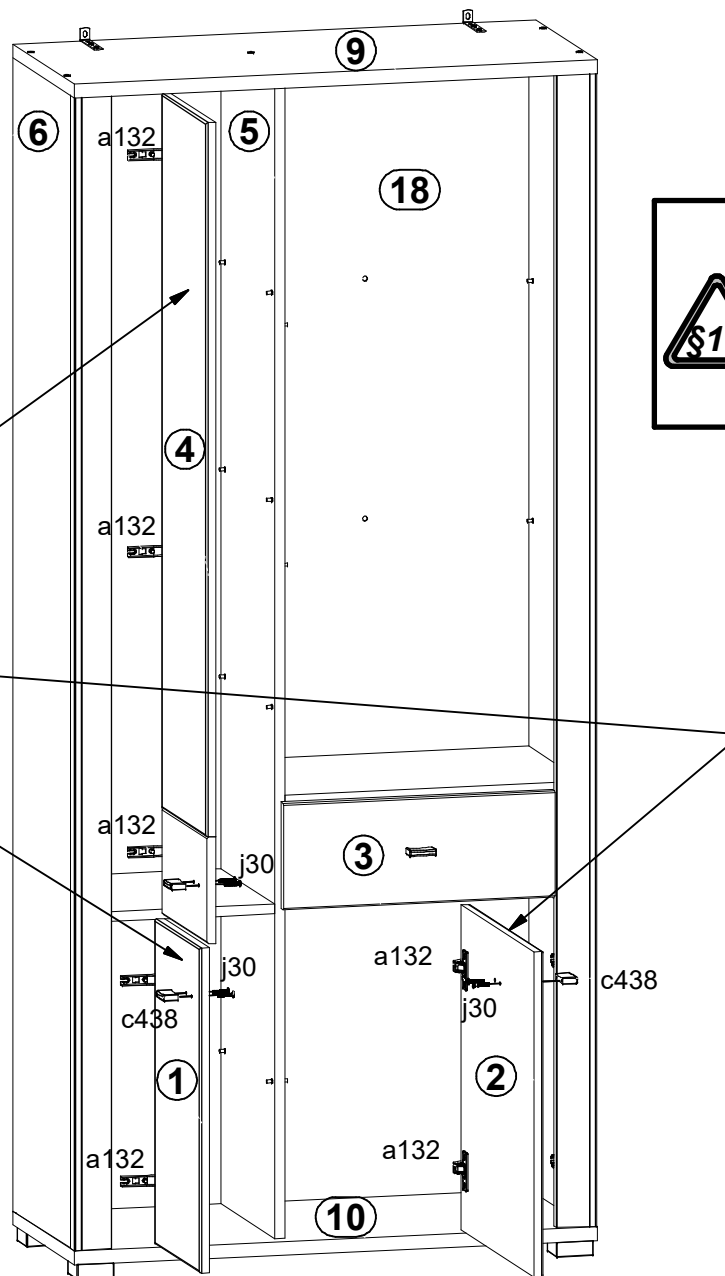
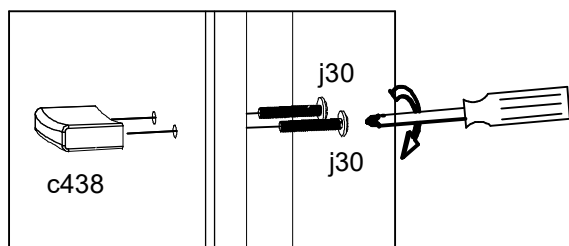
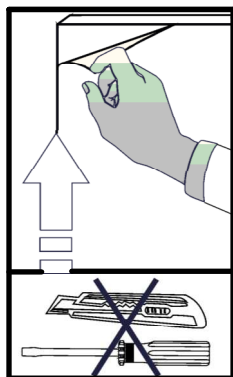


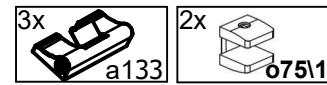
24 ▶



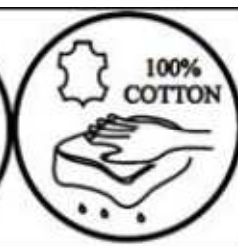
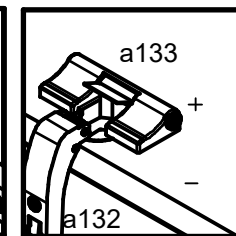
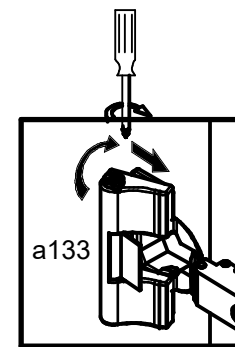
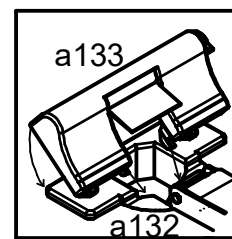
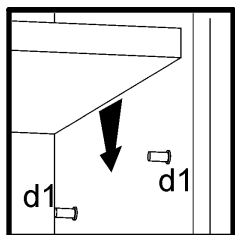
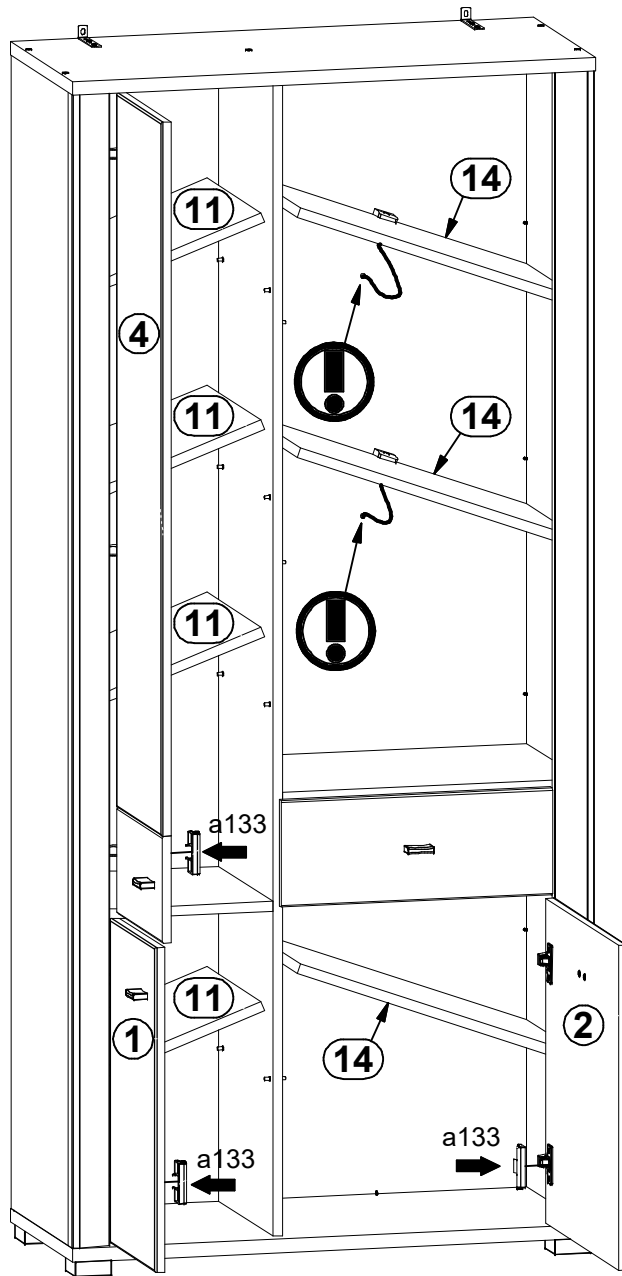
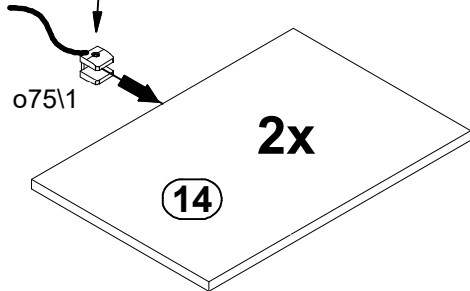
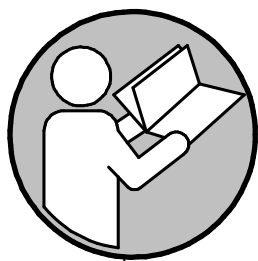


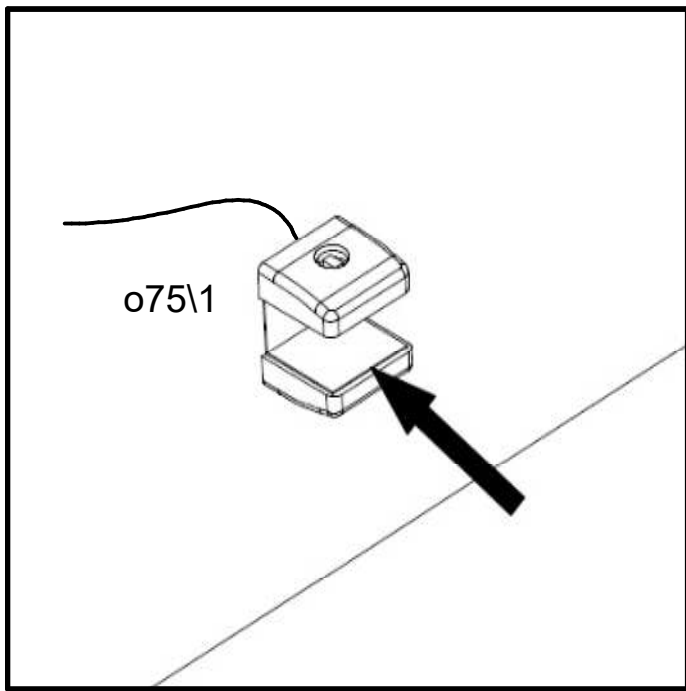
25



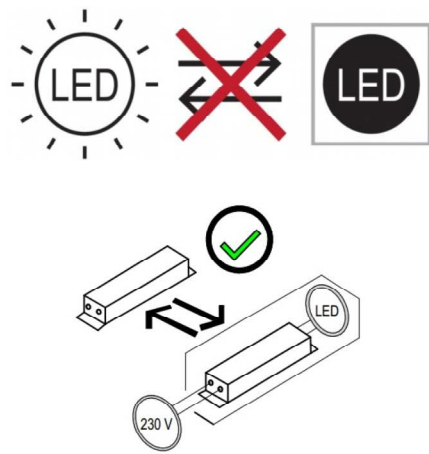


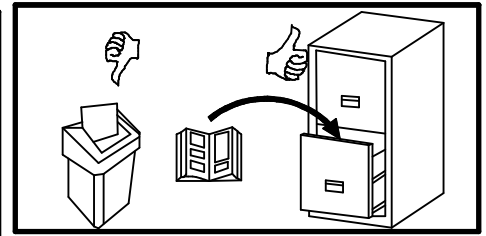
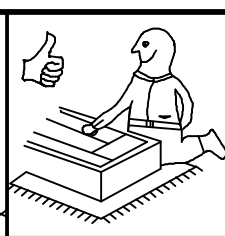
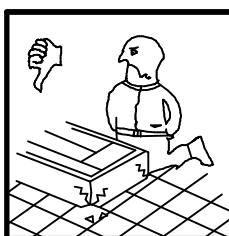
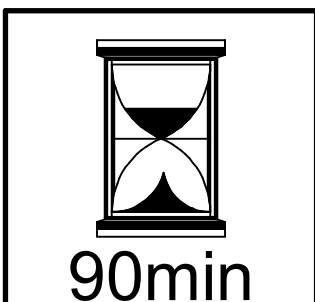
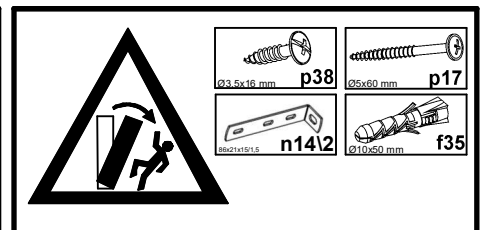
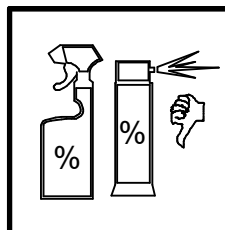
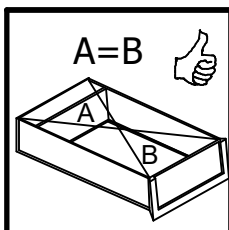
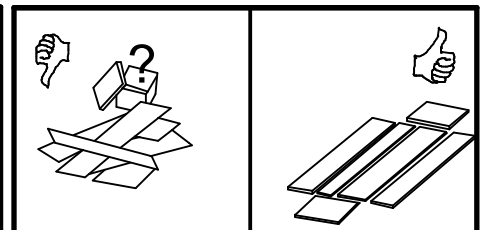
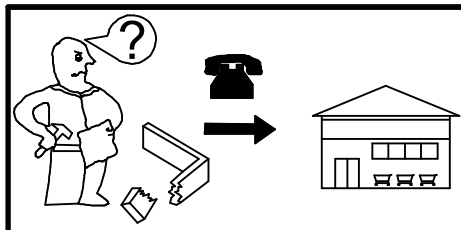
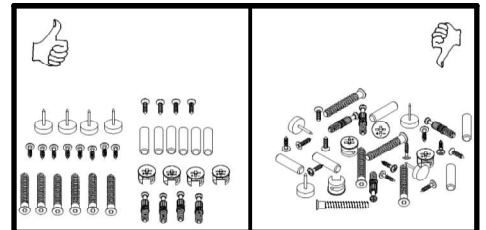
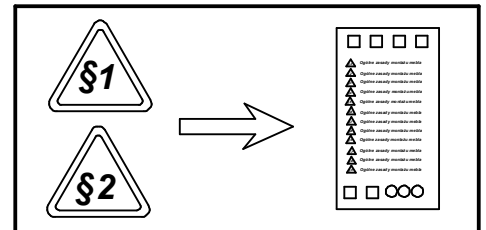
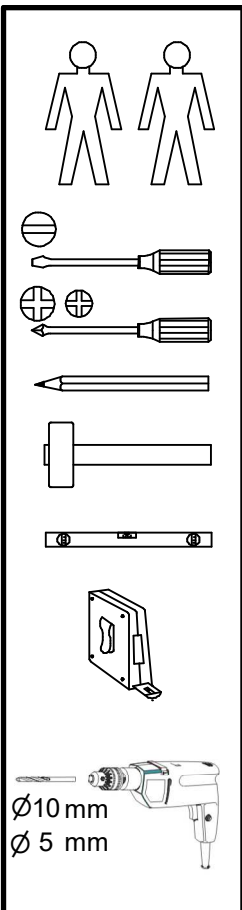
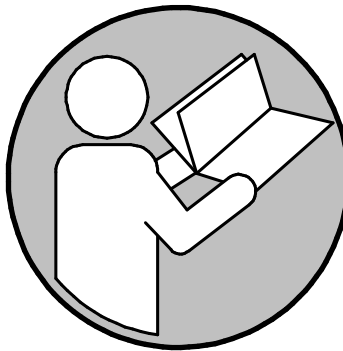
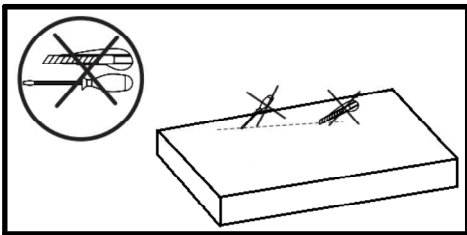
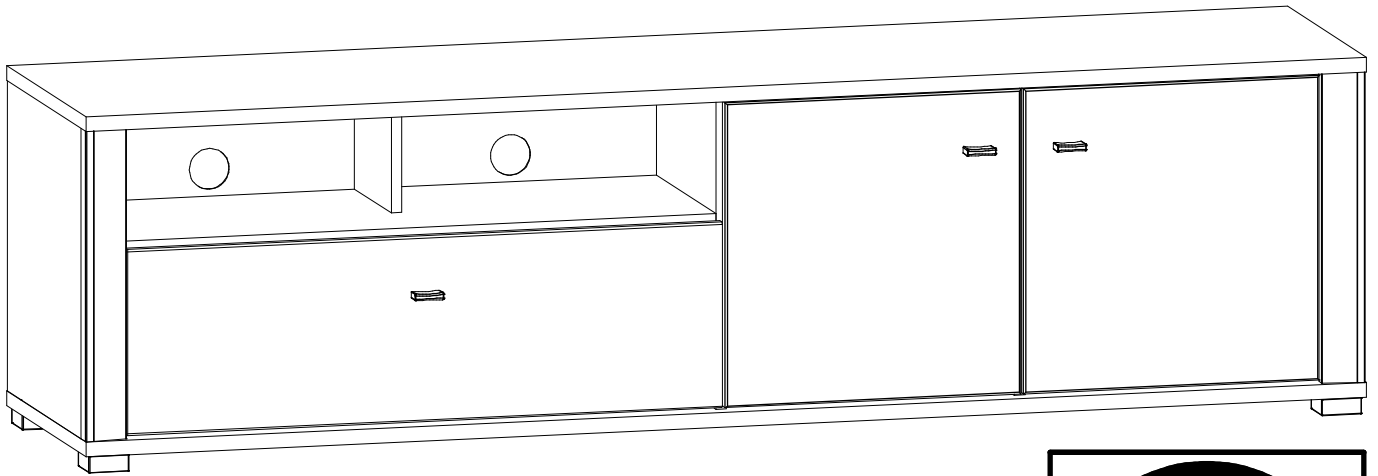
26 ▶



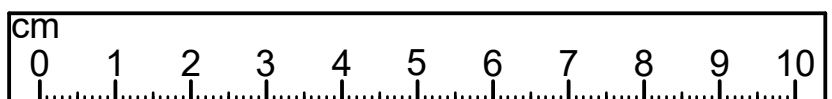
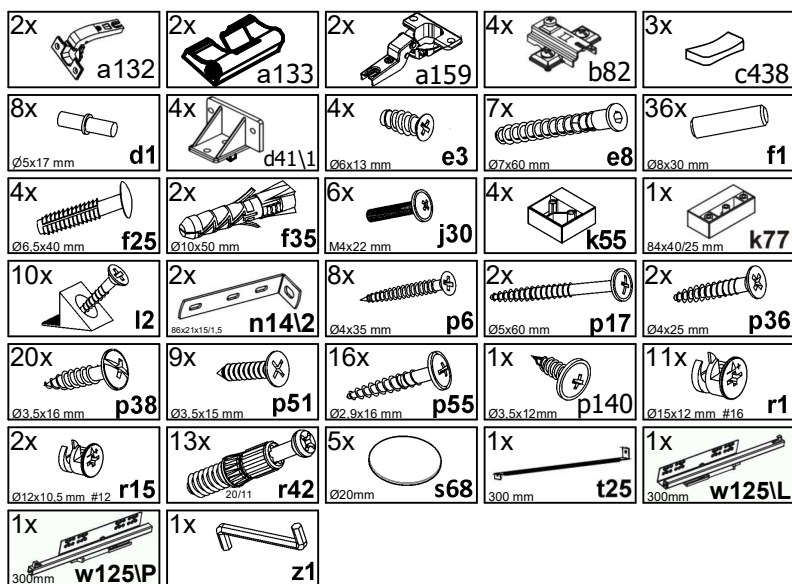


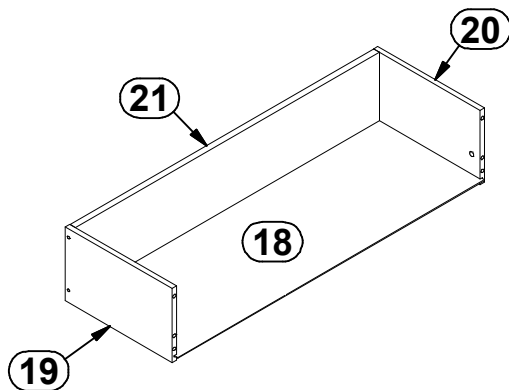
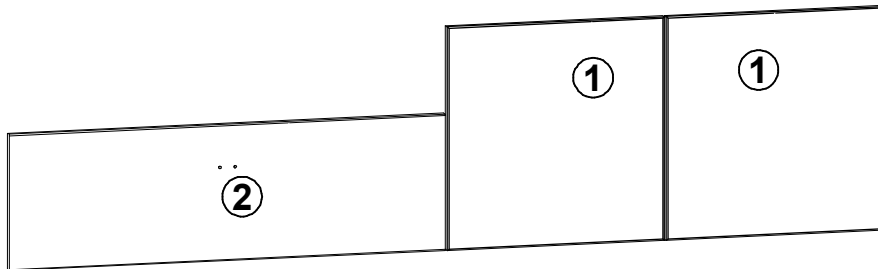
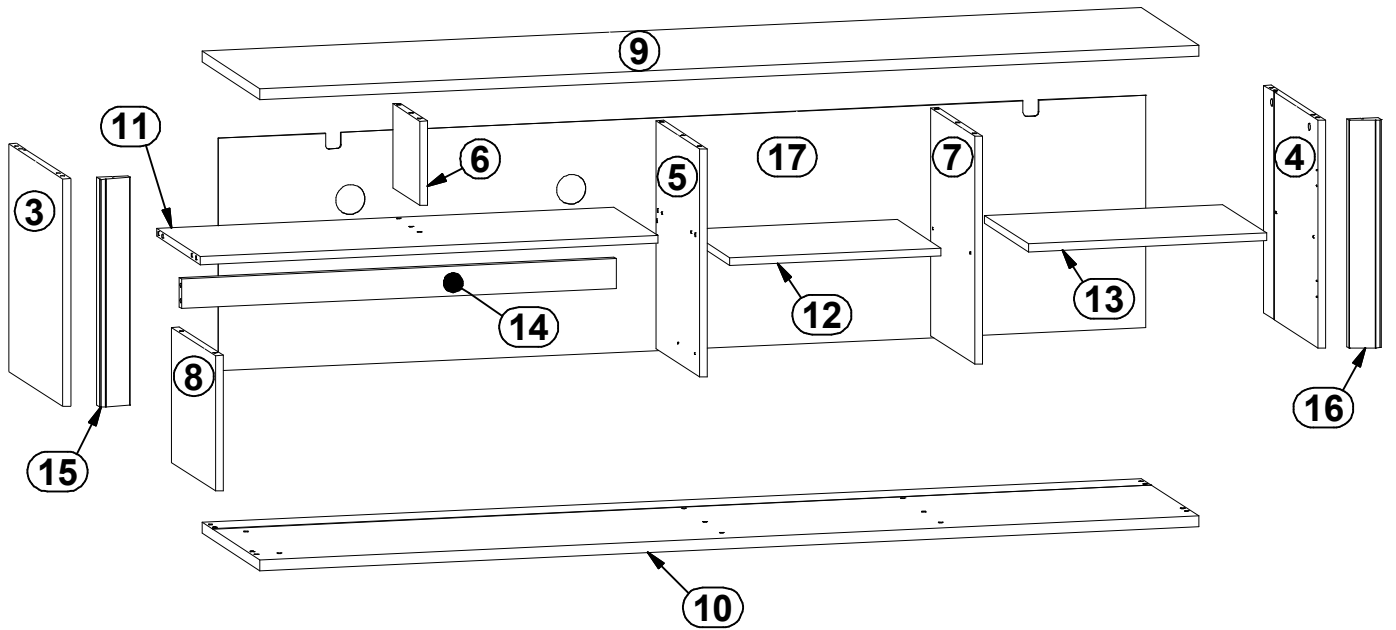
LED_BINGO Clip

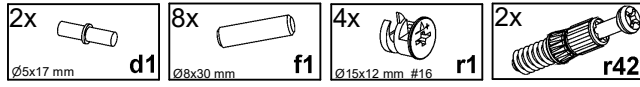




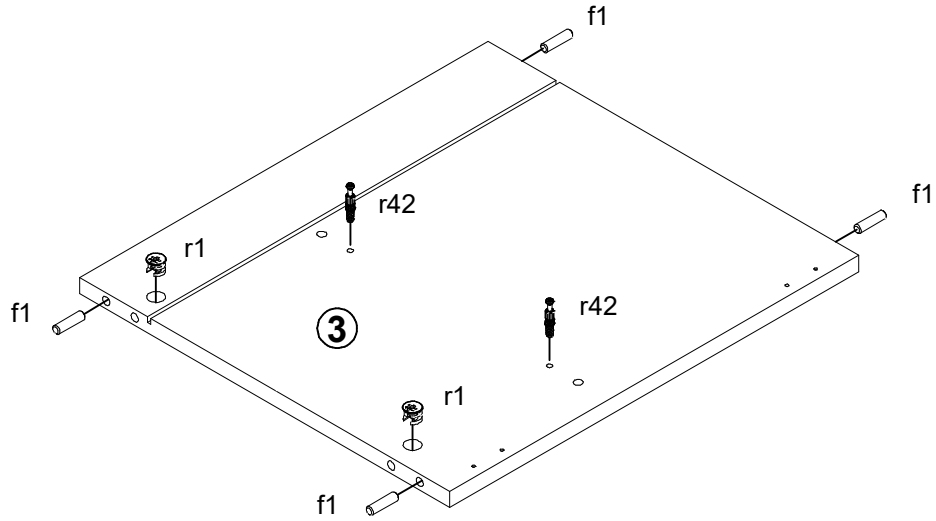
| A | B1 | B2 | C1 | C2 | C3 | D |
|----|-----------|------|------|-----|-----|-----|
| 1 | S591-0008 | -1 | 451 | 446 | 16 | 1/2 |
| 2 | S591-0010 | -1 | 896 | 275 | 15 | 1/2 |
| 3 | S591-1015 | -2 | 459 | 416 | 16 | 1/2 |
| 4 | S591-1016 | -2 | 459 | 416 | 16 | 1/2 |
| 5 | S591-1017 | -2 | 459 | 336 | 16 | 1/2 |
| 6 | S591-1018 | -1 | 170 | 206 | 16 | 1/2 |
| 7 | S591-1019 | -2 | 459 | 336 | 16 | 1/2 |
| 8 | S591-1020 | -2 | 273 | 336 | 16 | 1/2 |
| 9 | S591-2007 | -1 | 1930 | 444 | 22 | 2/2 |
| 10 | S591-2008 | -2 | 1930 | 444 | 22 | 2/2 |
| 11 | S591-3012 | -1 | 940 | 336 | 16 | 1/2 |
| 12 | S591-3013 | -1 | 434 | 336 | 16 | 1/2 |
| 13 | S591-3017 | -1 | 490 | 336 | 16 | 1/2 |
| 14 | S591-4003 | -2 | 893 | 60 | 16 | 1/2 |
| 15 | S591-5007 | -1 | 459 | 64 | 25 | 2/2 |
| 16 | S591-5008 | -1 | 459 | 64 | 25 | 2/2 |
| 17 | S591-9005 | -1 | 1906 | 469 | 2,5 | 2/2 |
| 18 | WSP-9555 | B.53 | 863 | 308 | 2,5 | 1/2 |
| 19 | WSQ4-5003 | -1 | 300 | 180 | 12 | 1/2 |
| 20 | WSQ4-5004 | -1 | 300 | 180 | 12 | 1/2 |
| 21 | ZQ6-5396 | A.29 | 853 | 167 | 15 | 1/2 |



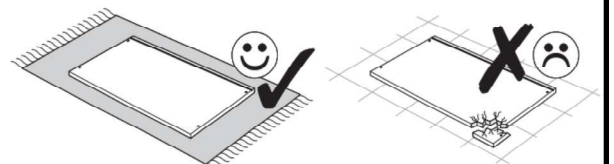
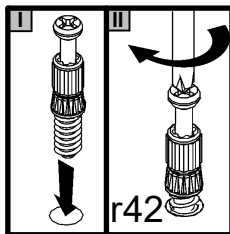
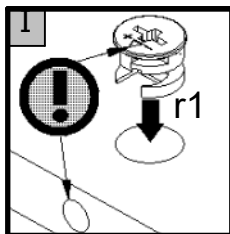
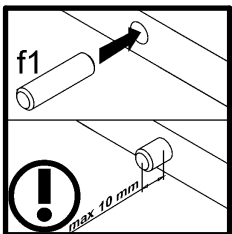
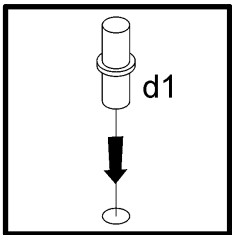
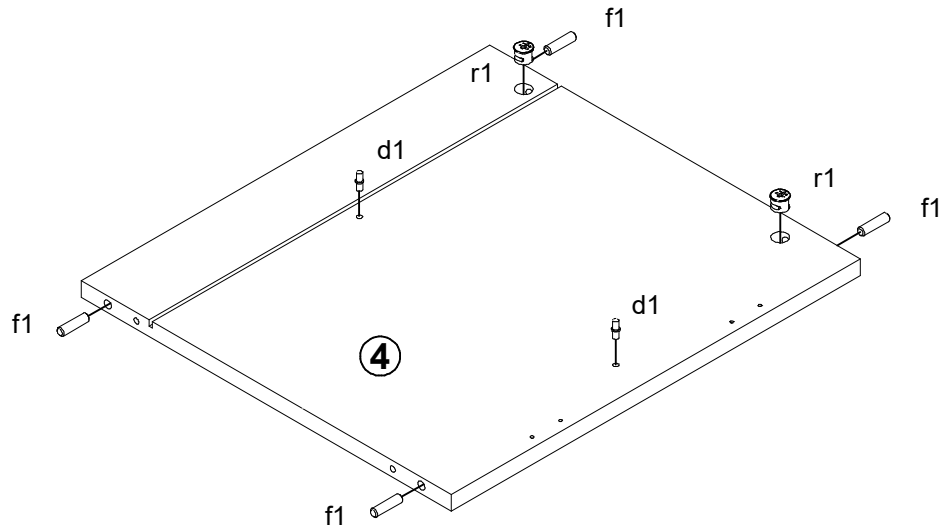


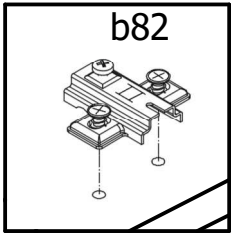
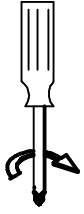
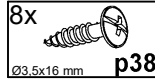
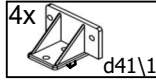
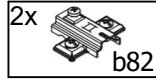


1 ▶

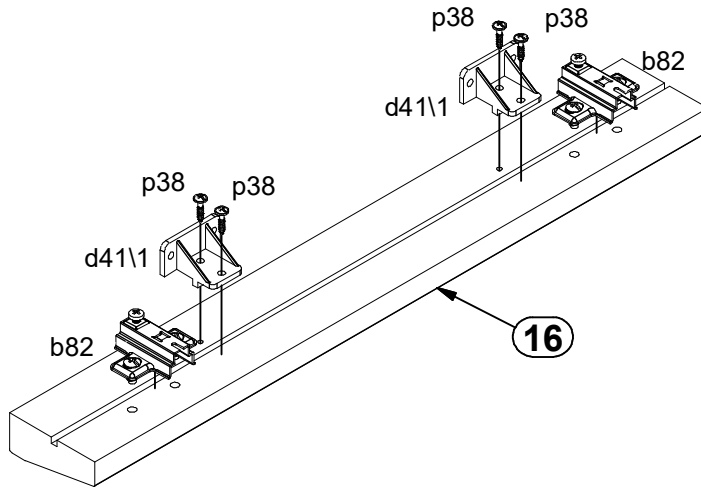


2 ▶

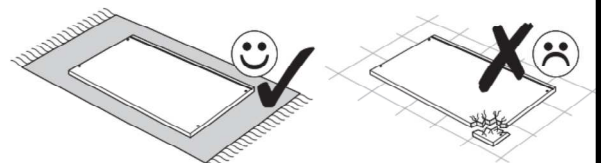
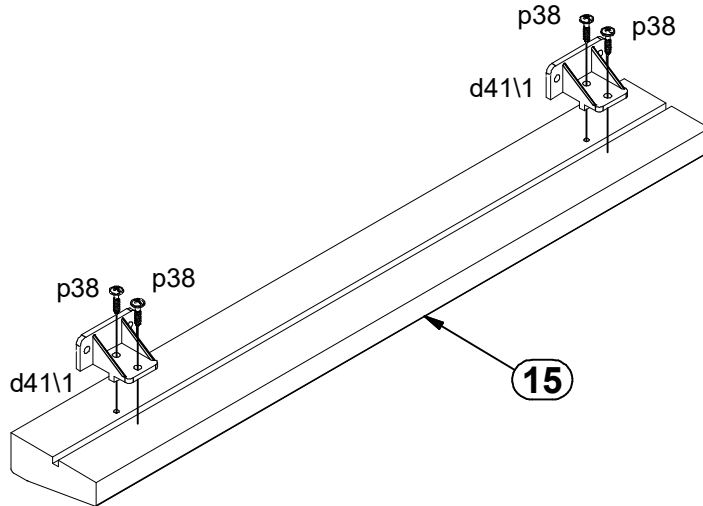
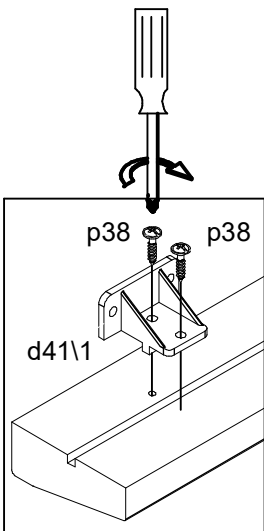


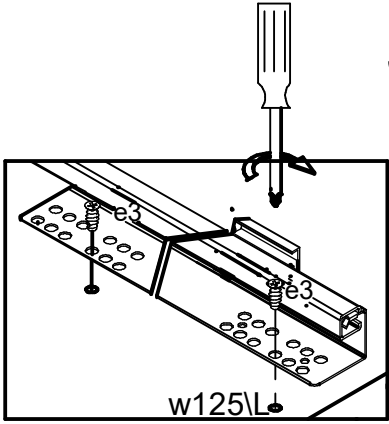
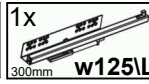
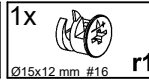
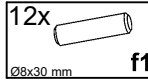
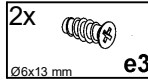


3 ▶

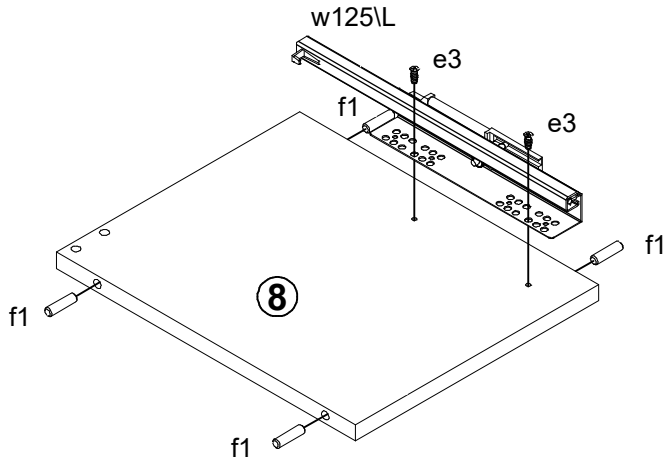


4 ▶

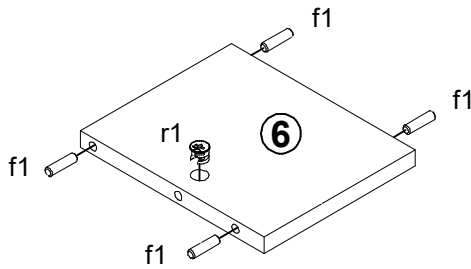




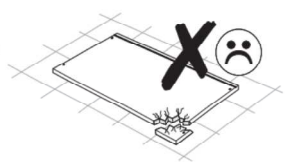
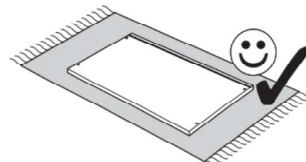
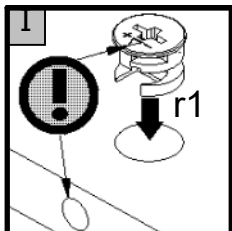
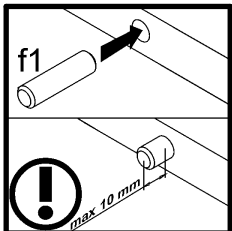
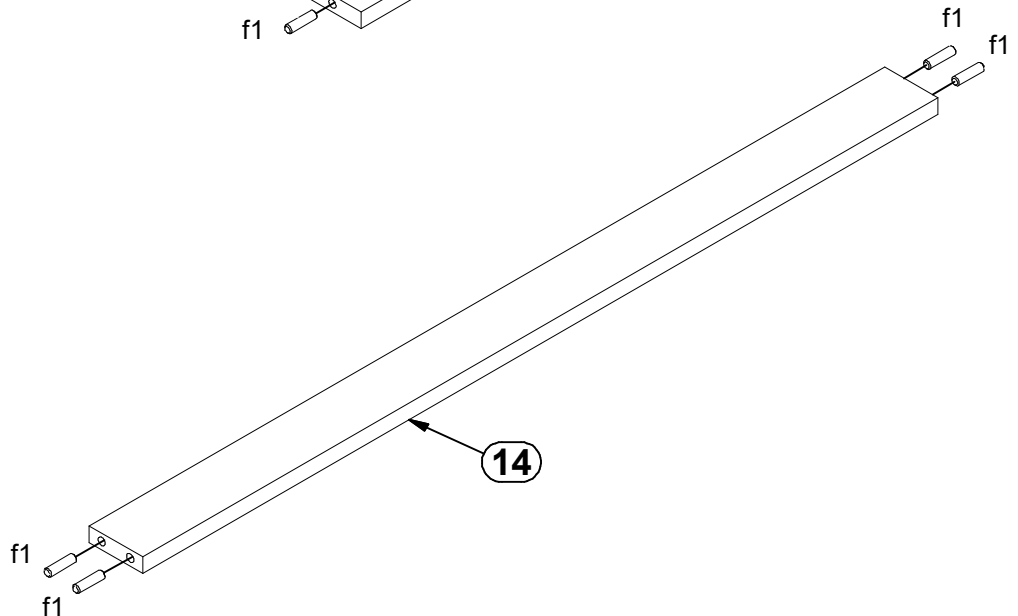
5 ▶

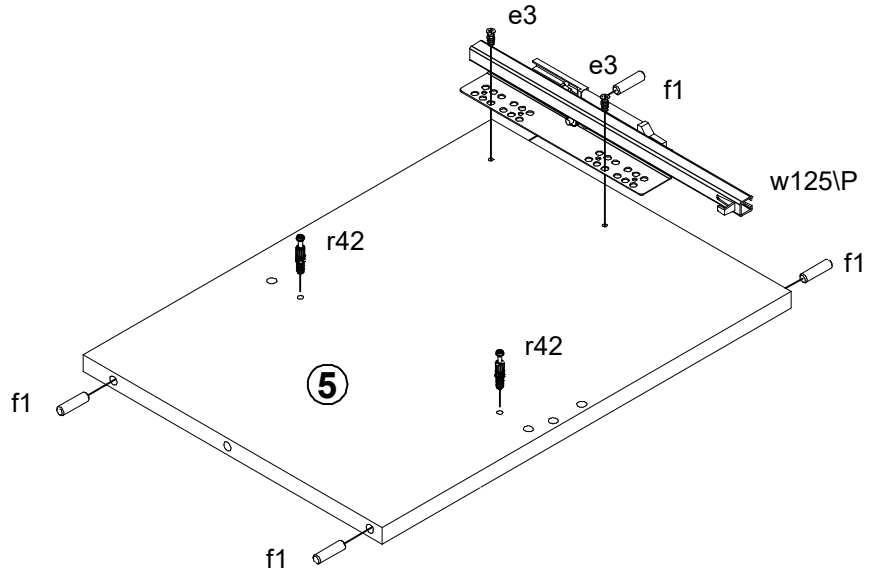
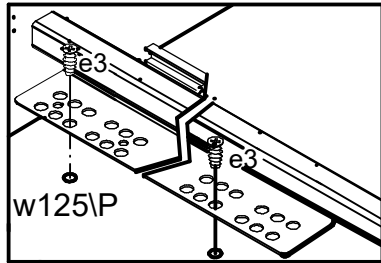
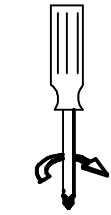
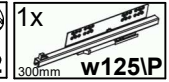
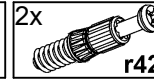
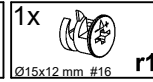
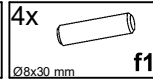
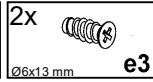
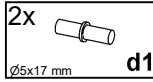
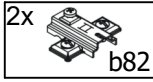


6 ▶

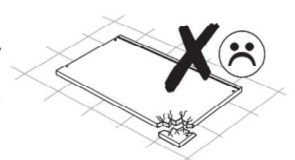
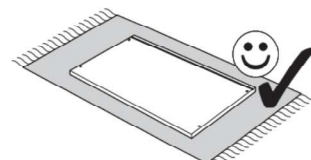
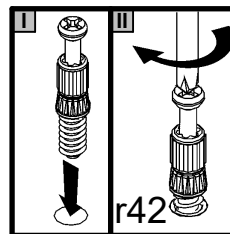
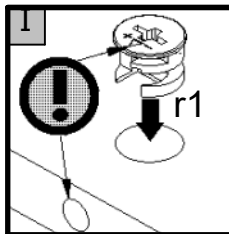
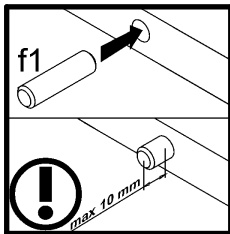
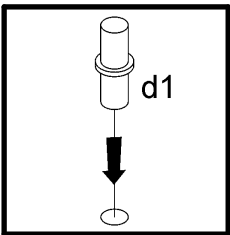
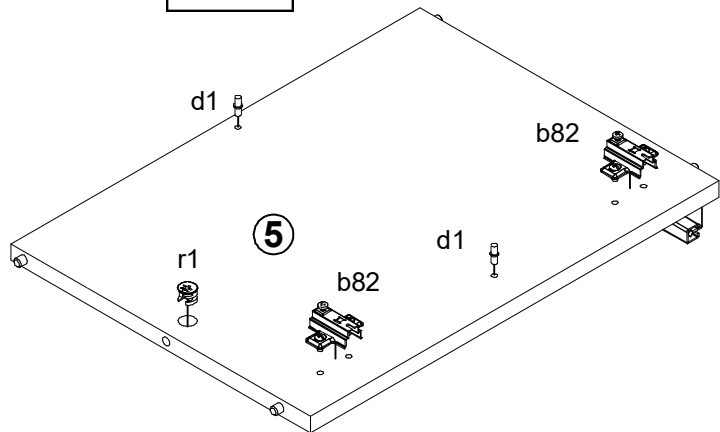
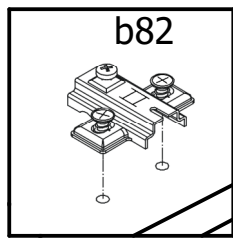
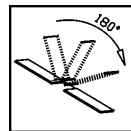
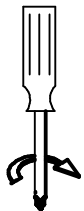


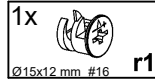
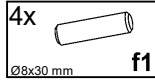
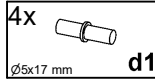
7 ▶



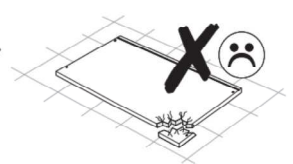
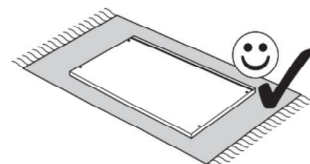
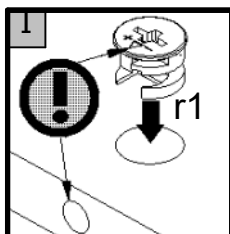
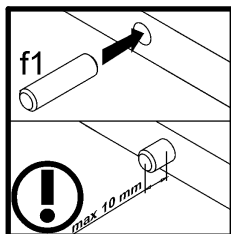
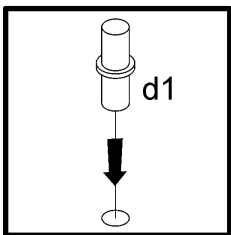
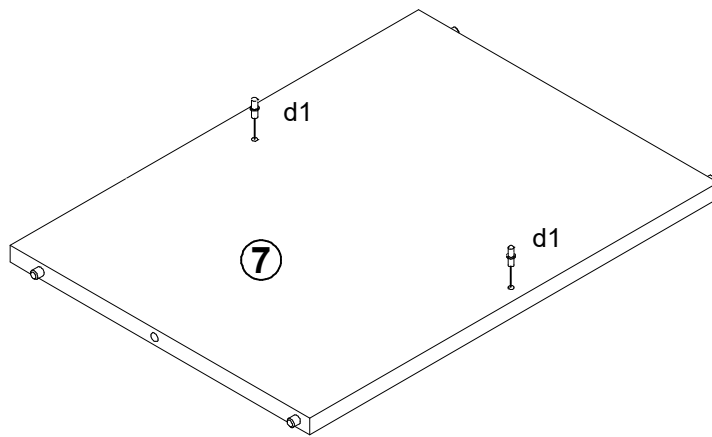
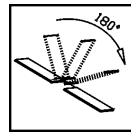
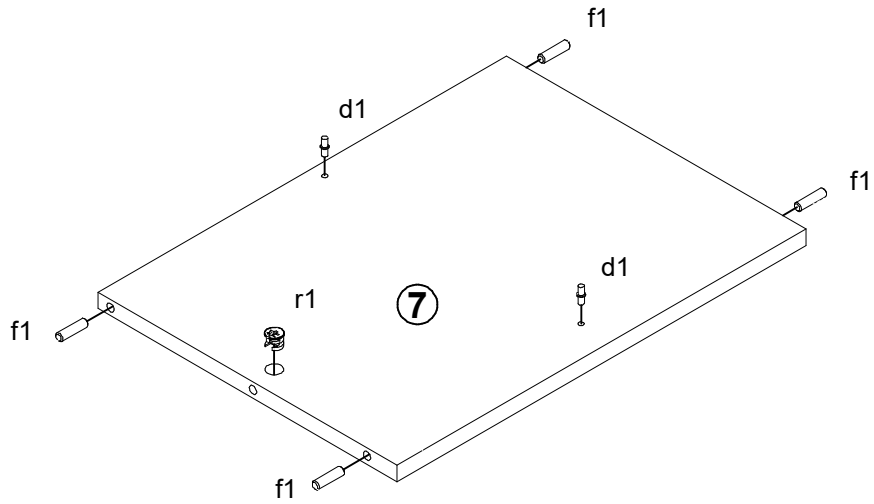


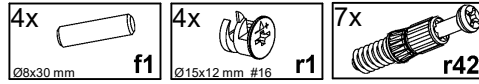
8 ▶



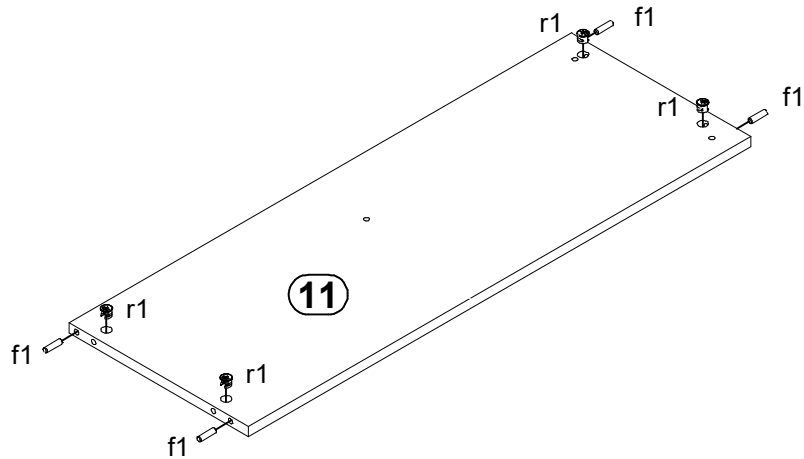


9 ▶

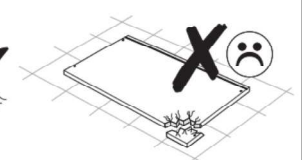
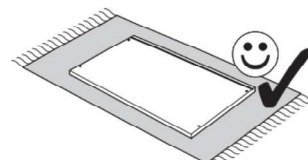
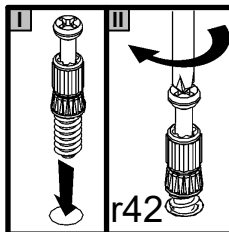
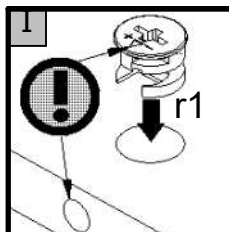
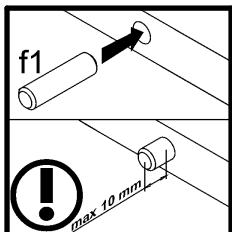
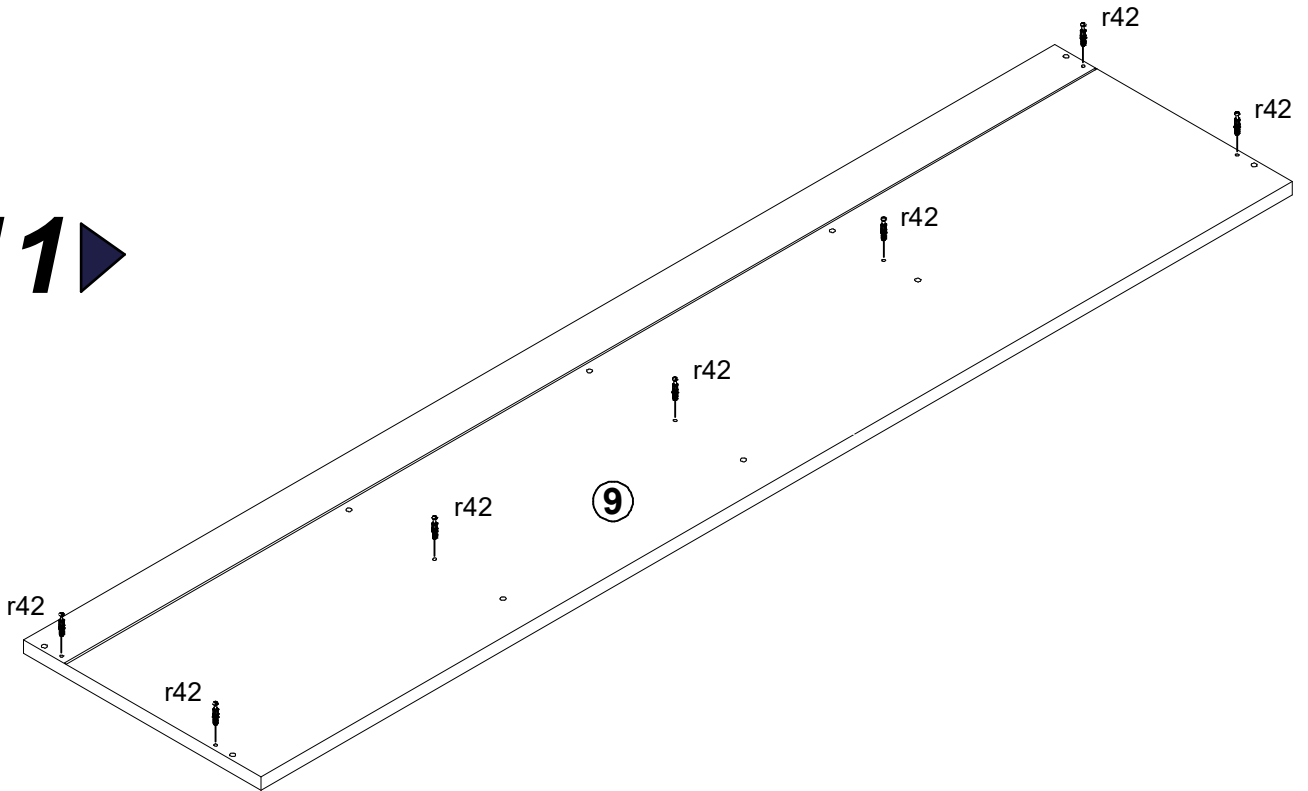


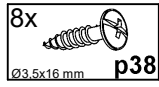


10 ▶

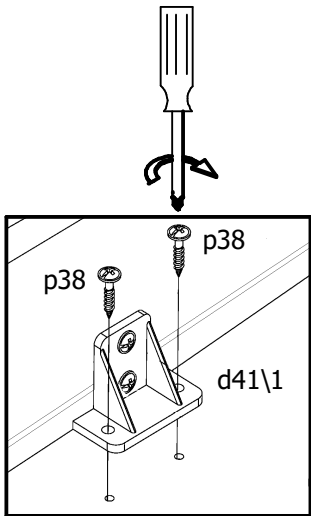
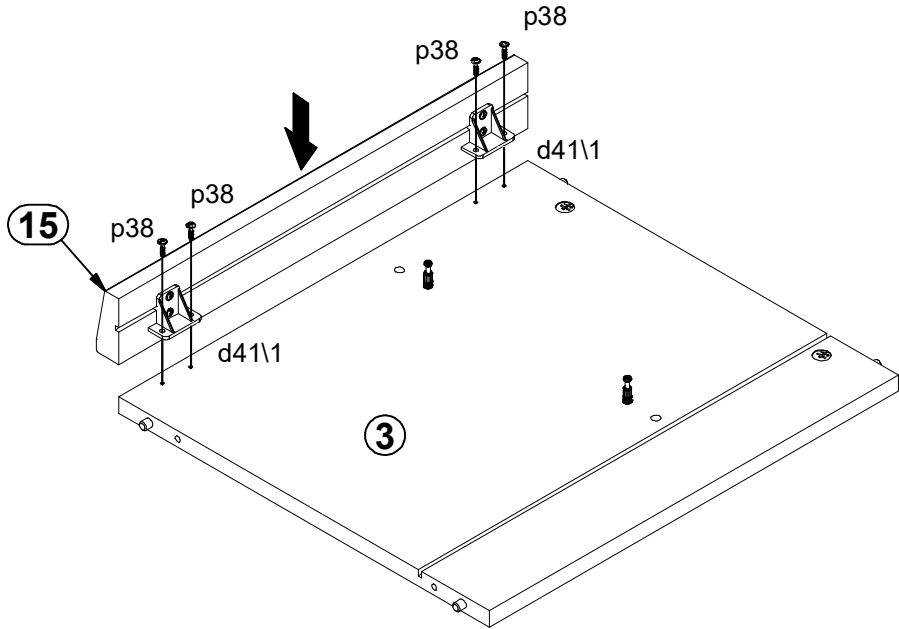


11 ▶

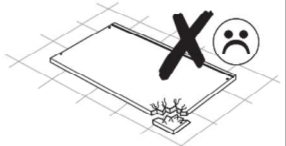
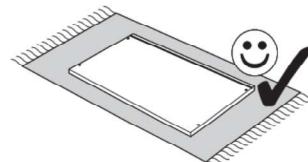
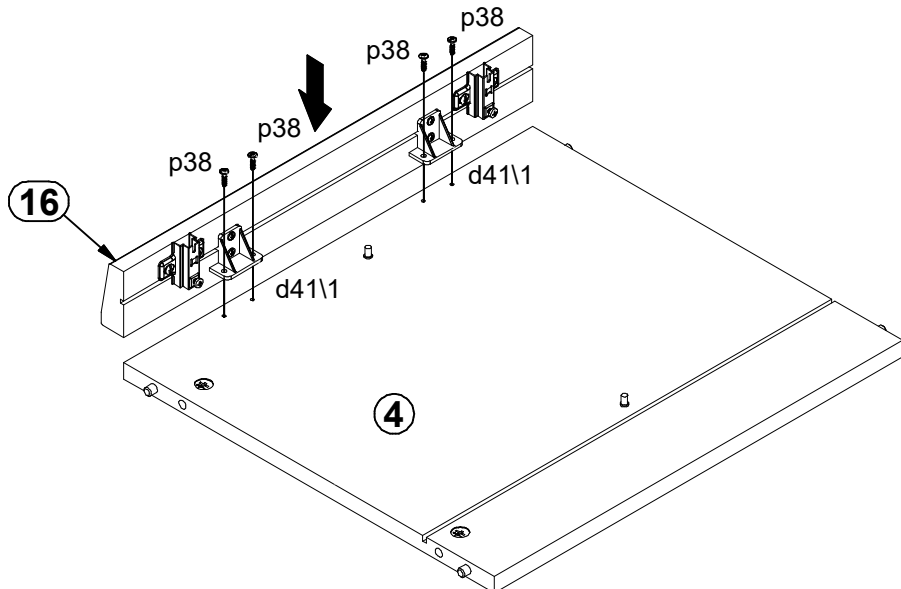


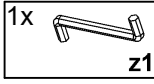
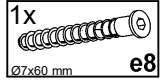


12 ▶

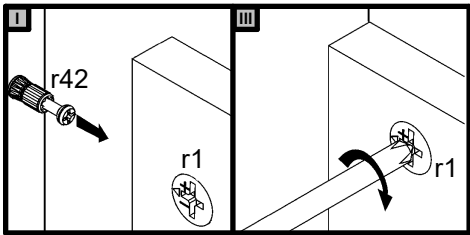
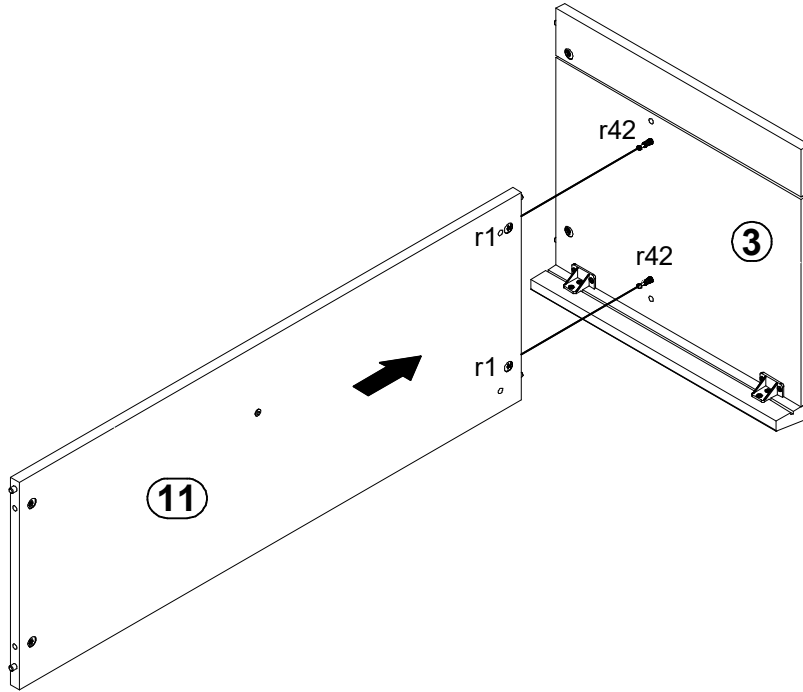


13 ▶

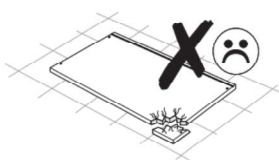
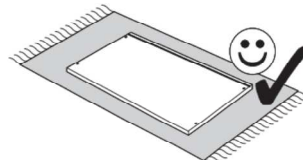
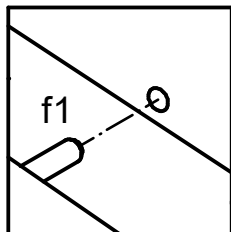
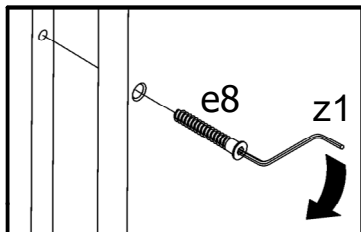
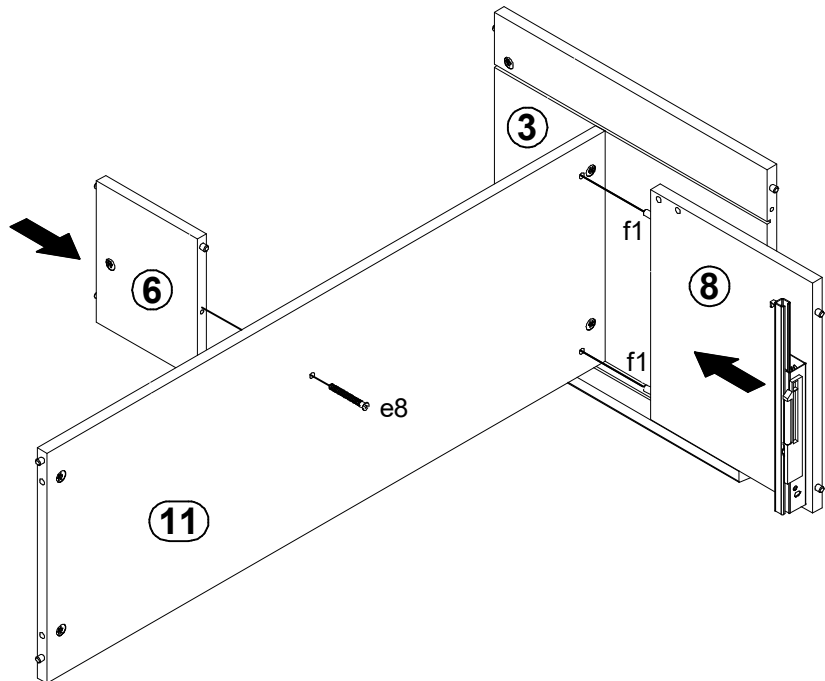




14 ▶

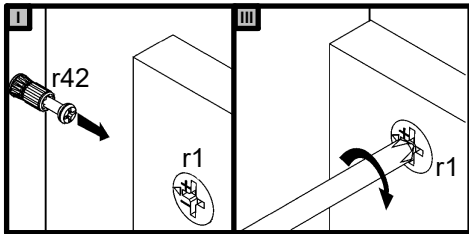
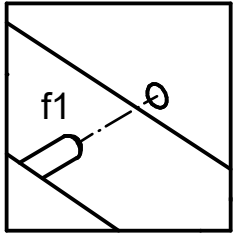
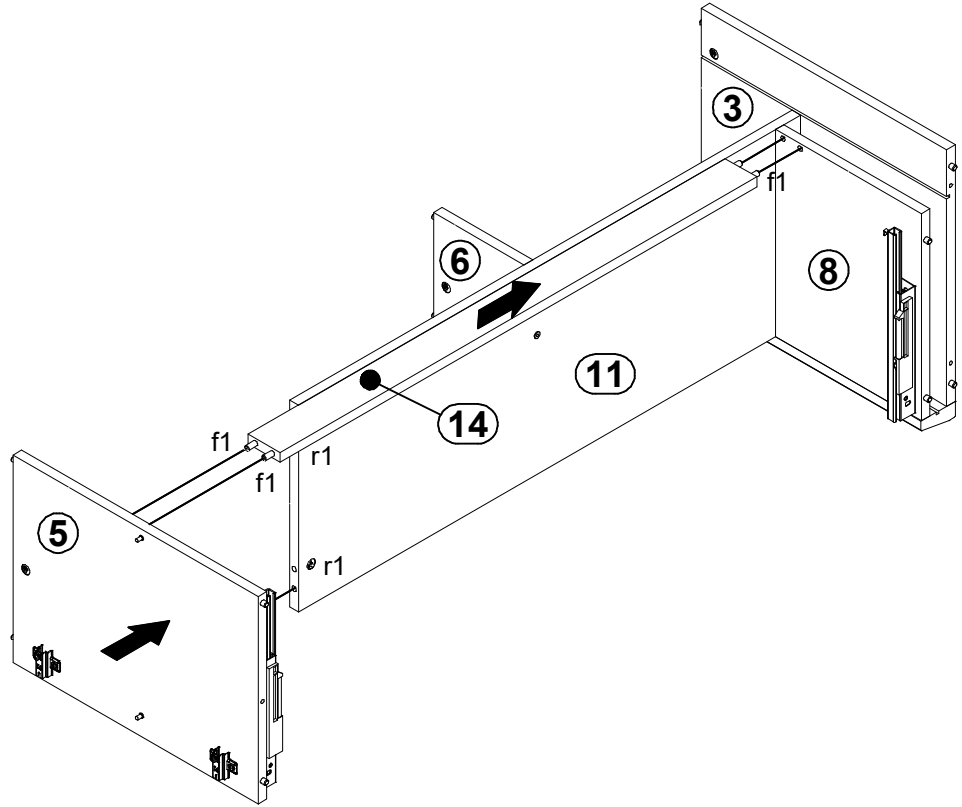


15 ▶

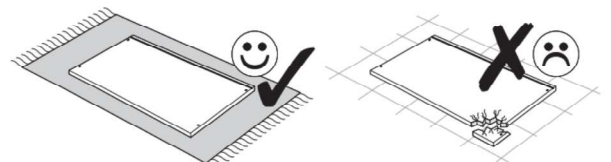
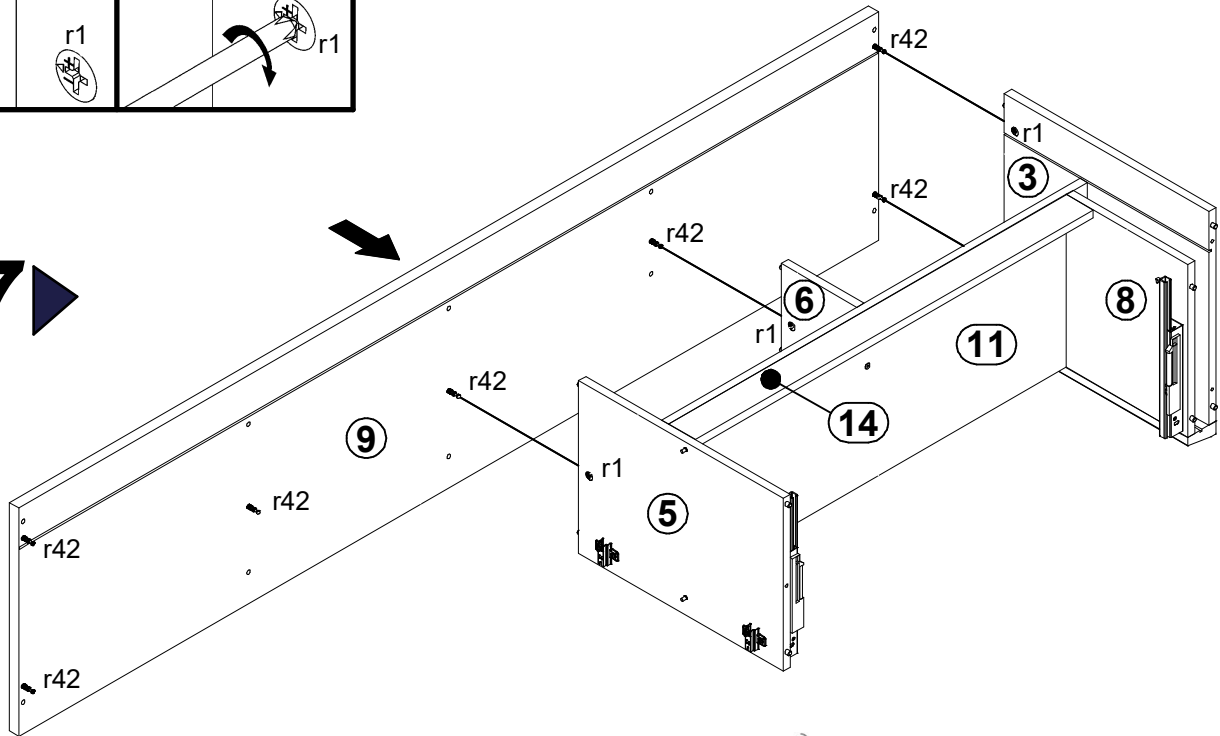




16 ▶

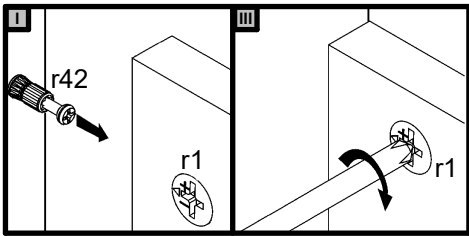
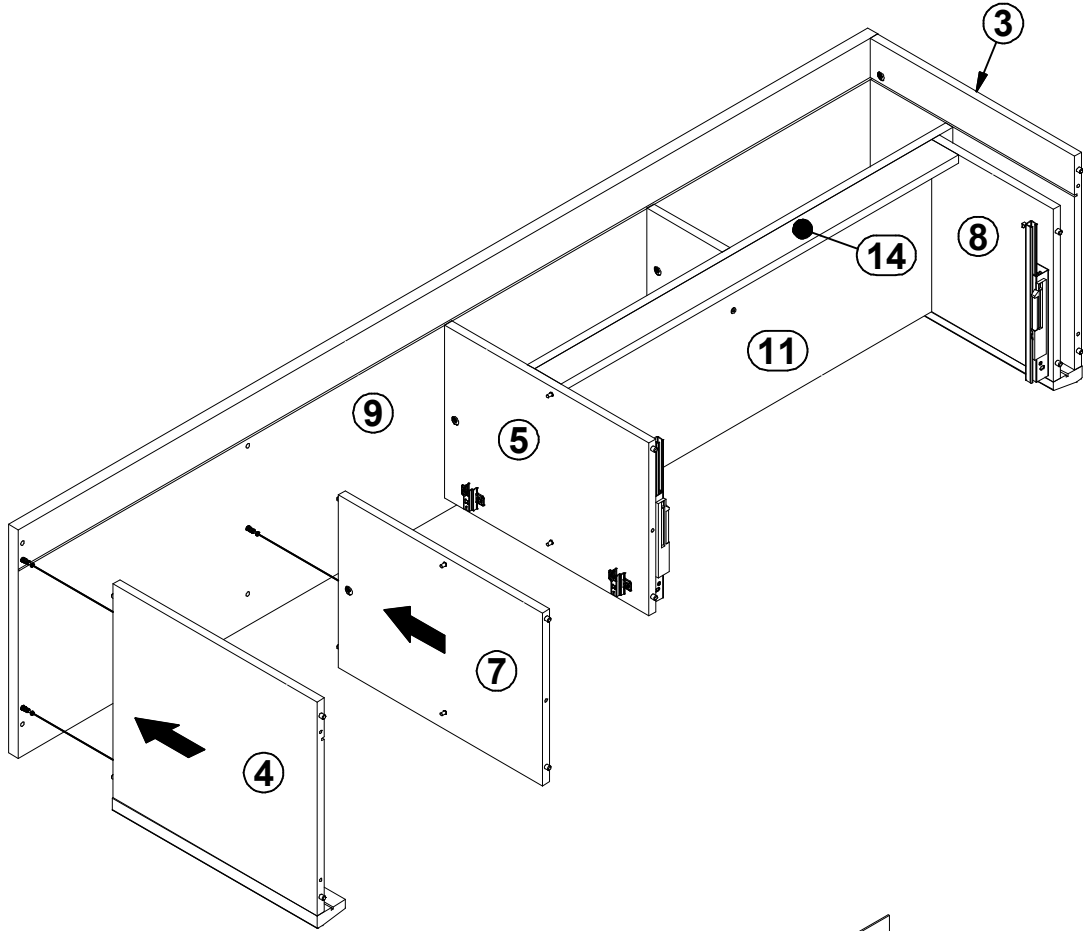


17 ▶

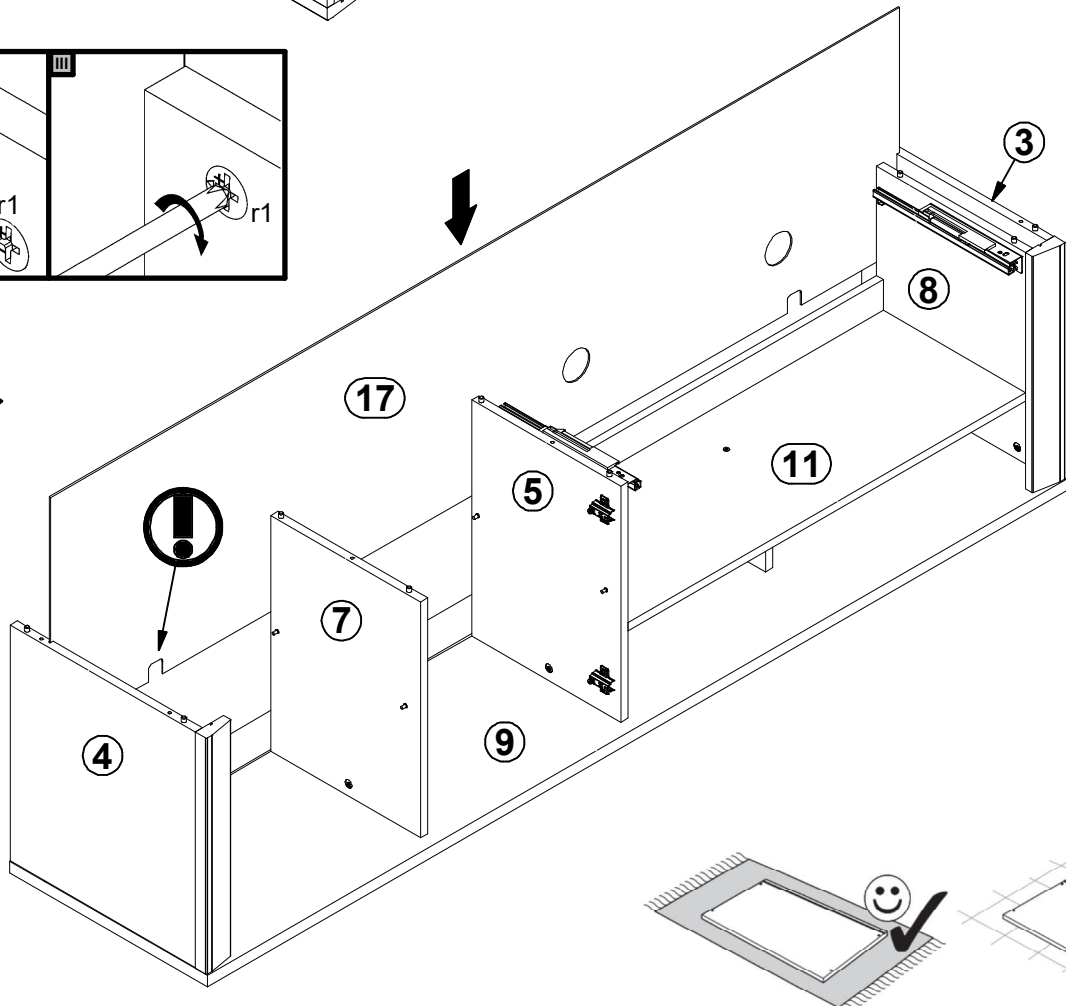


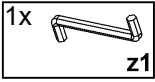
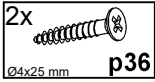
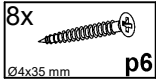
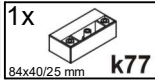
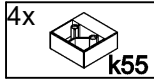
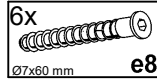


18 ▶

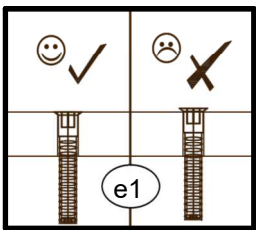
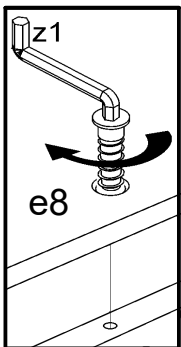
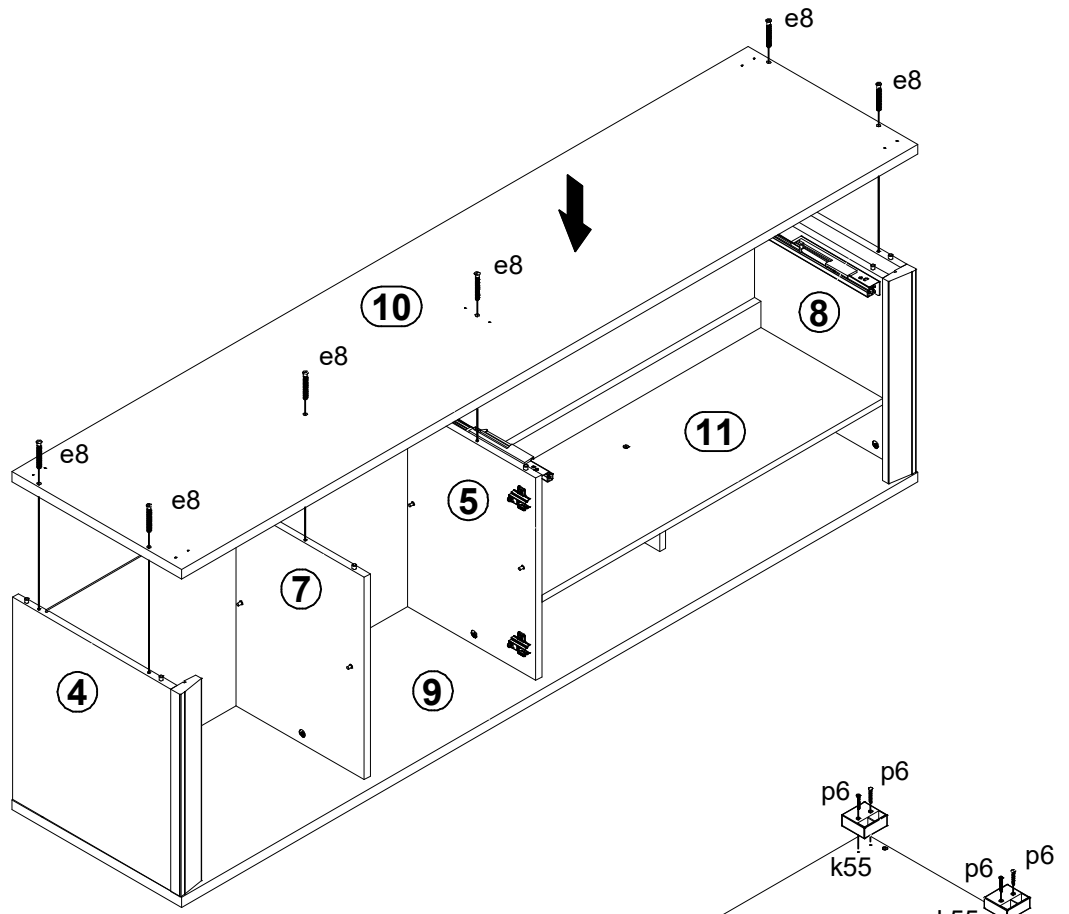


19 ▶

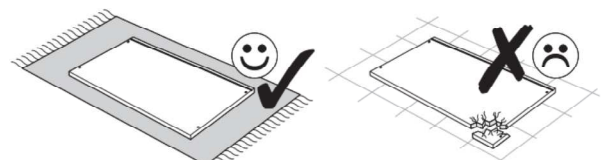
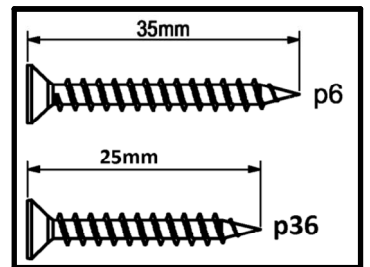
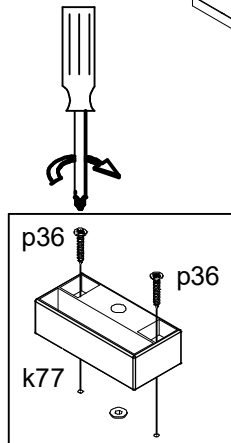
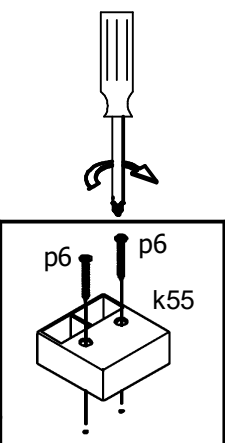
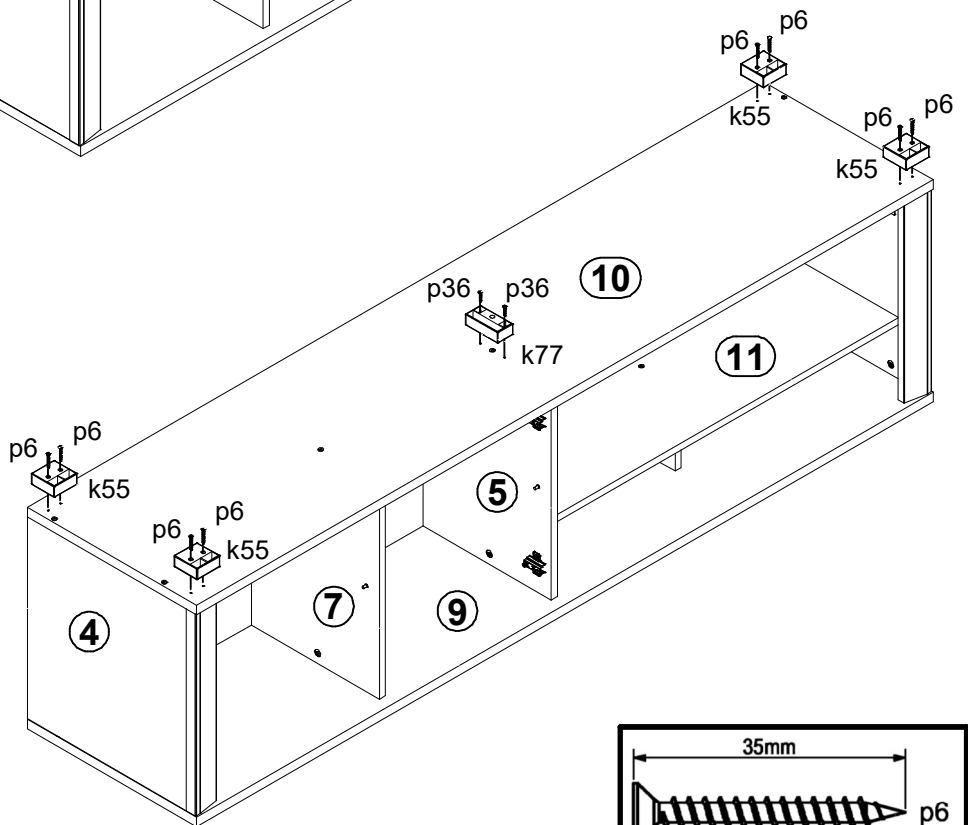


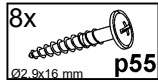
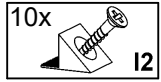


20 ▶

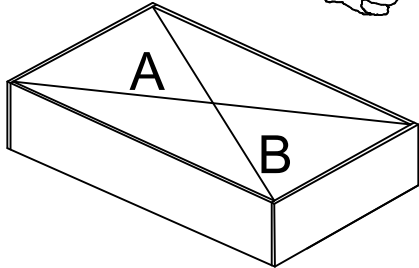


21 ▶

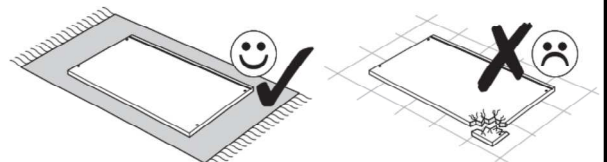
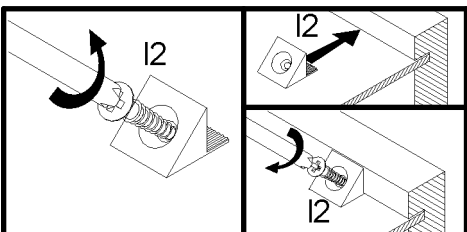
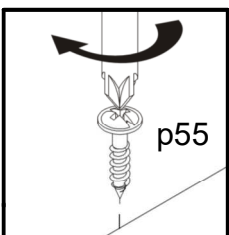
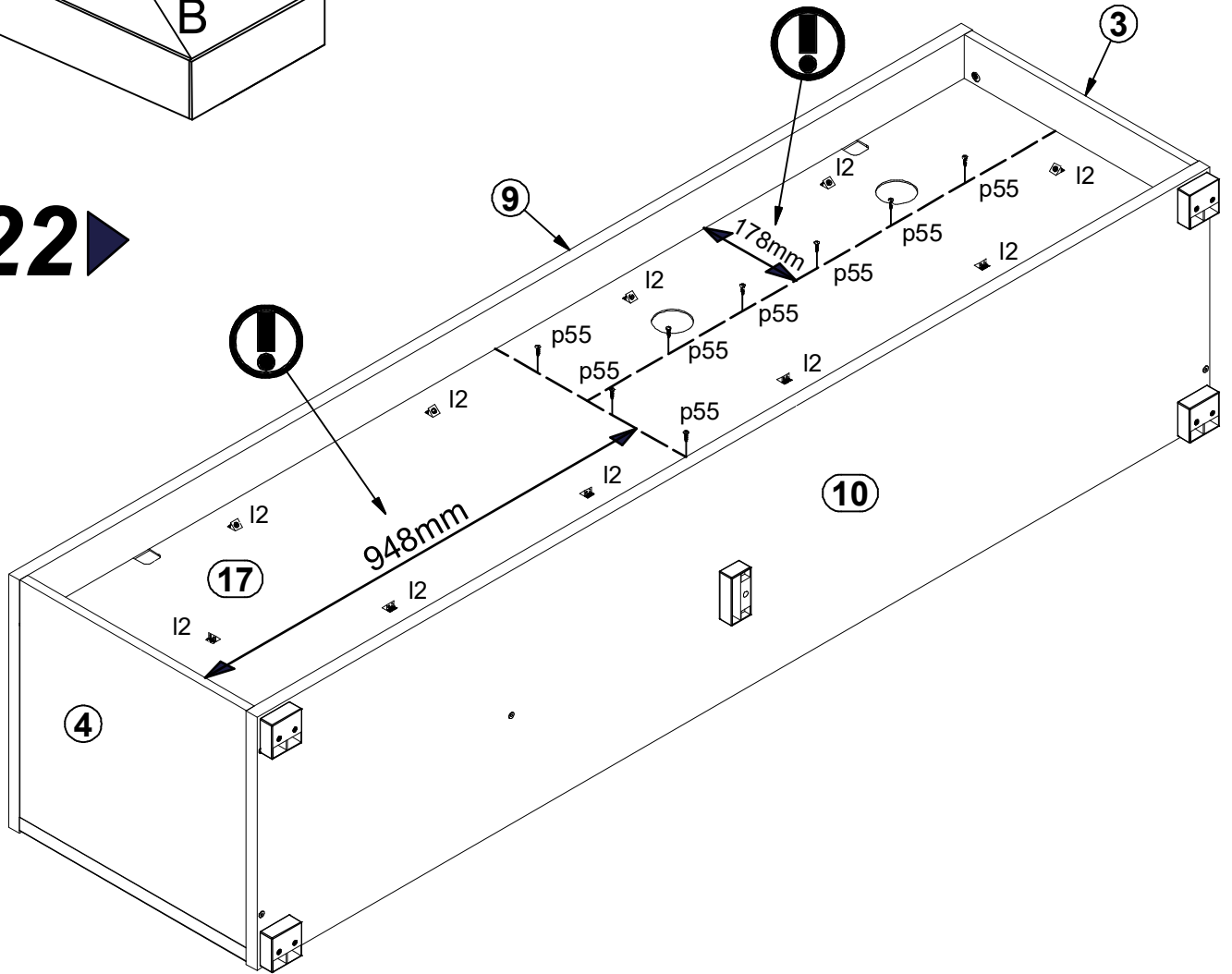


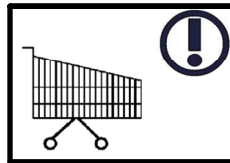
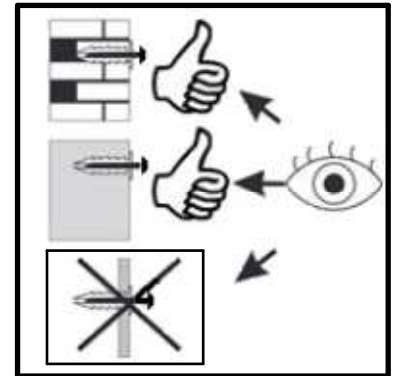
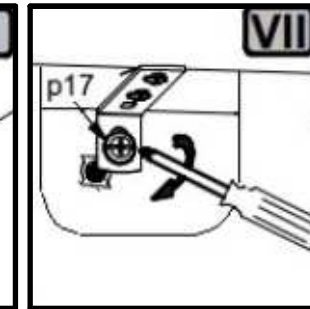
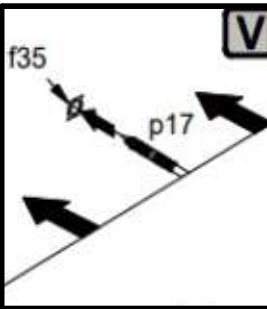
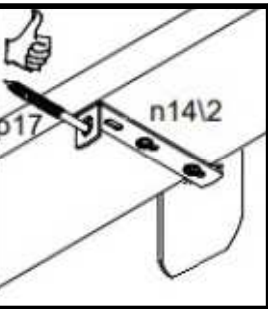
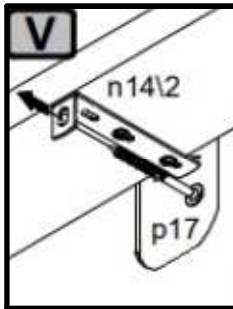
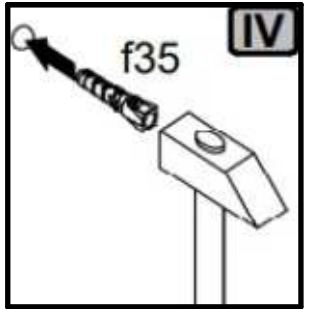
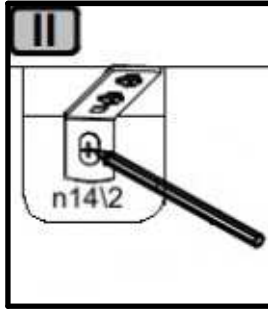
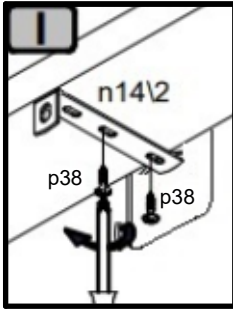
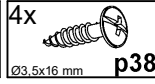
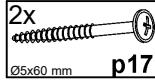
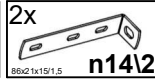
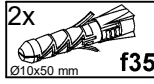


A=B

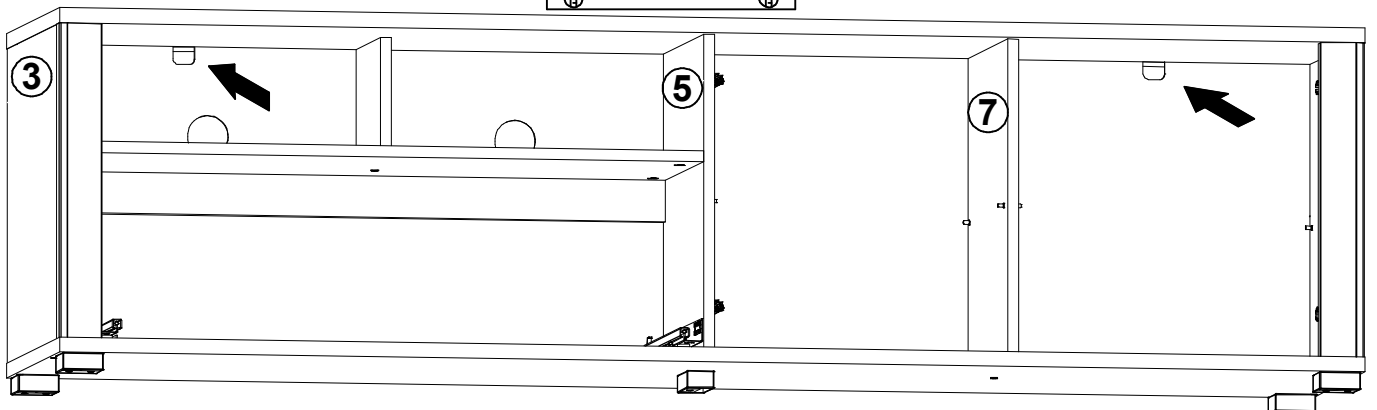
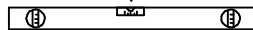


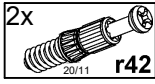
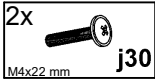
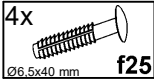
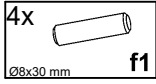
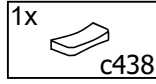
22



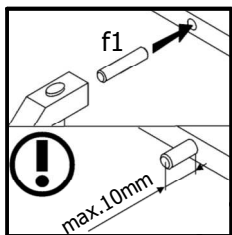
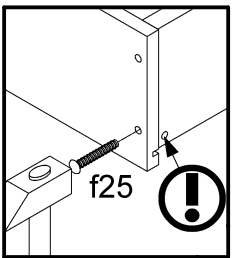
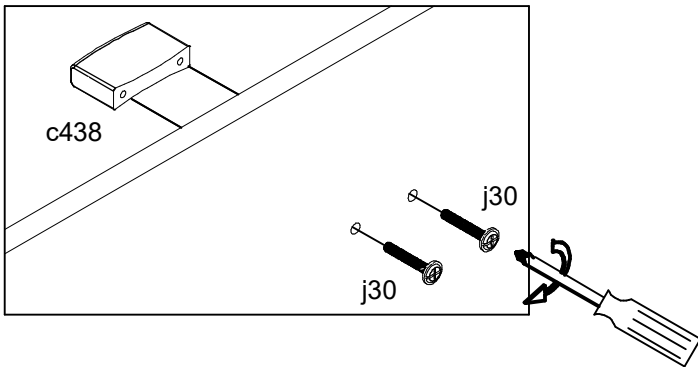
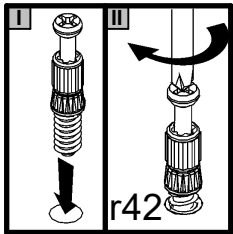
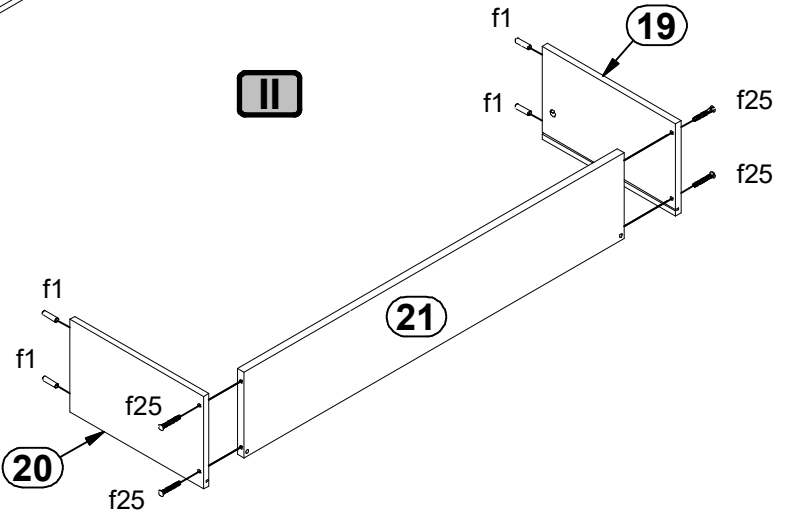
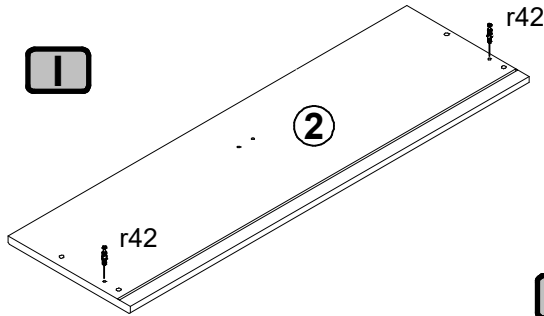


23▶

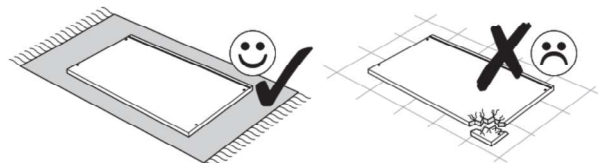
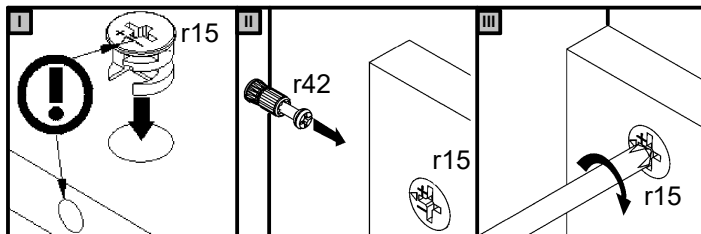
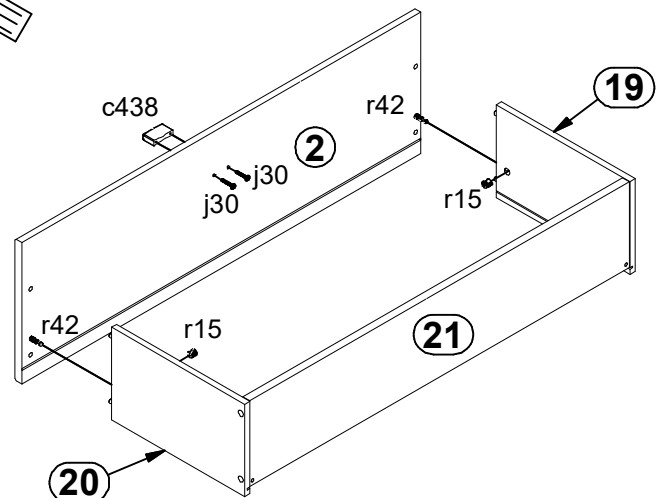


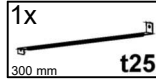
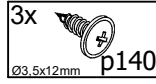
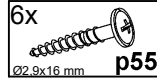
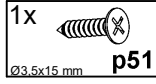


24

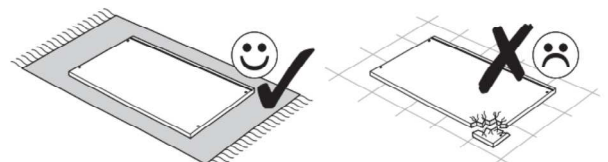
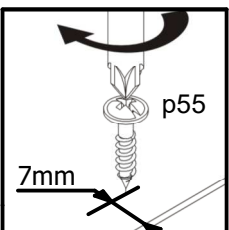
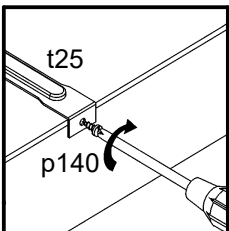
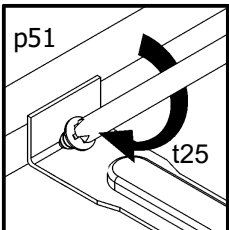
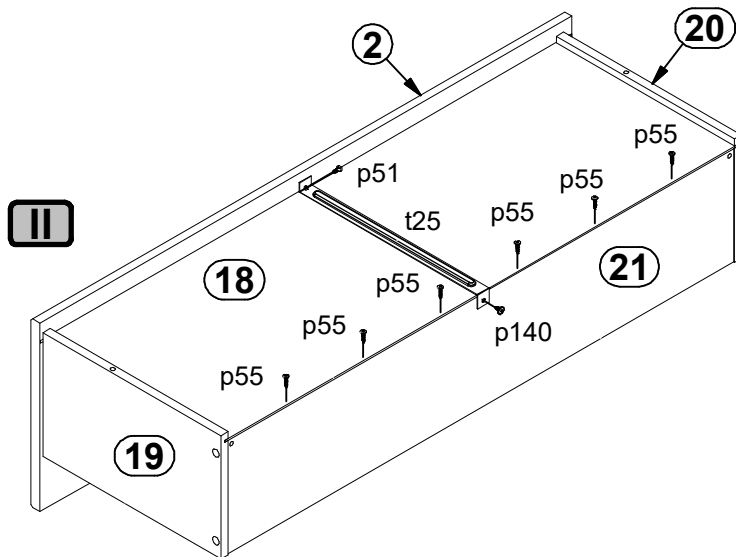
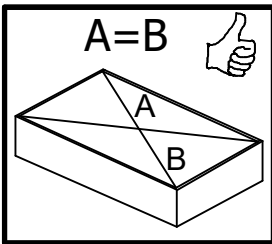
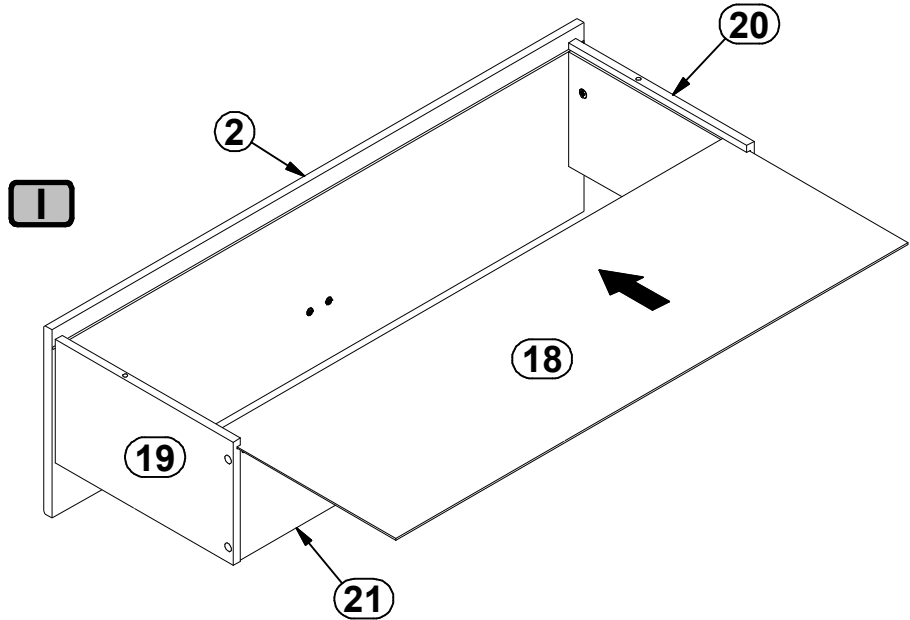


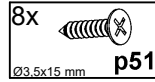
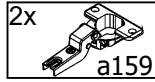
III



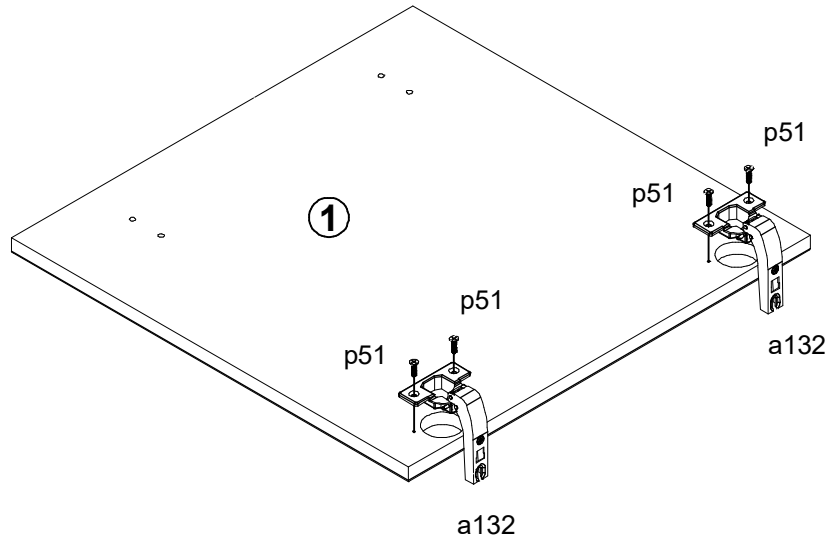
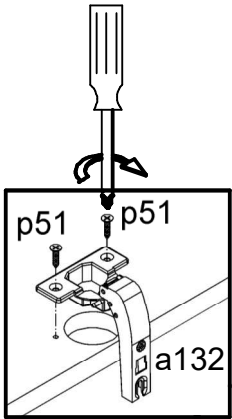


25

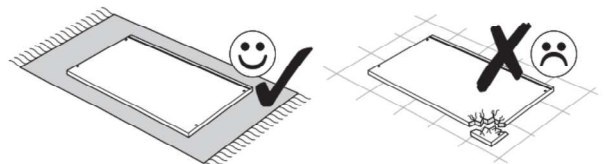
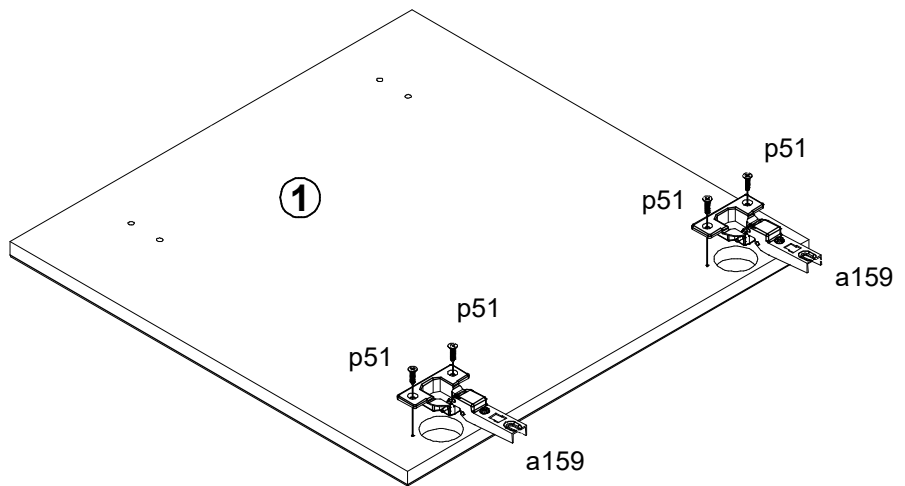
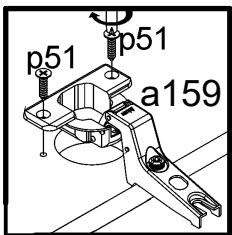


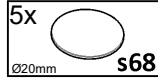
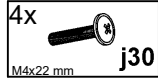
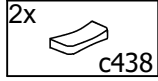


26 ▶



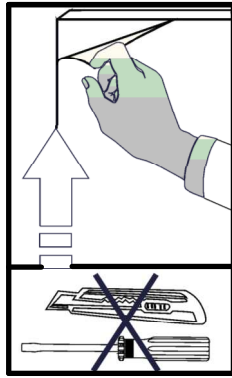
27 ▶



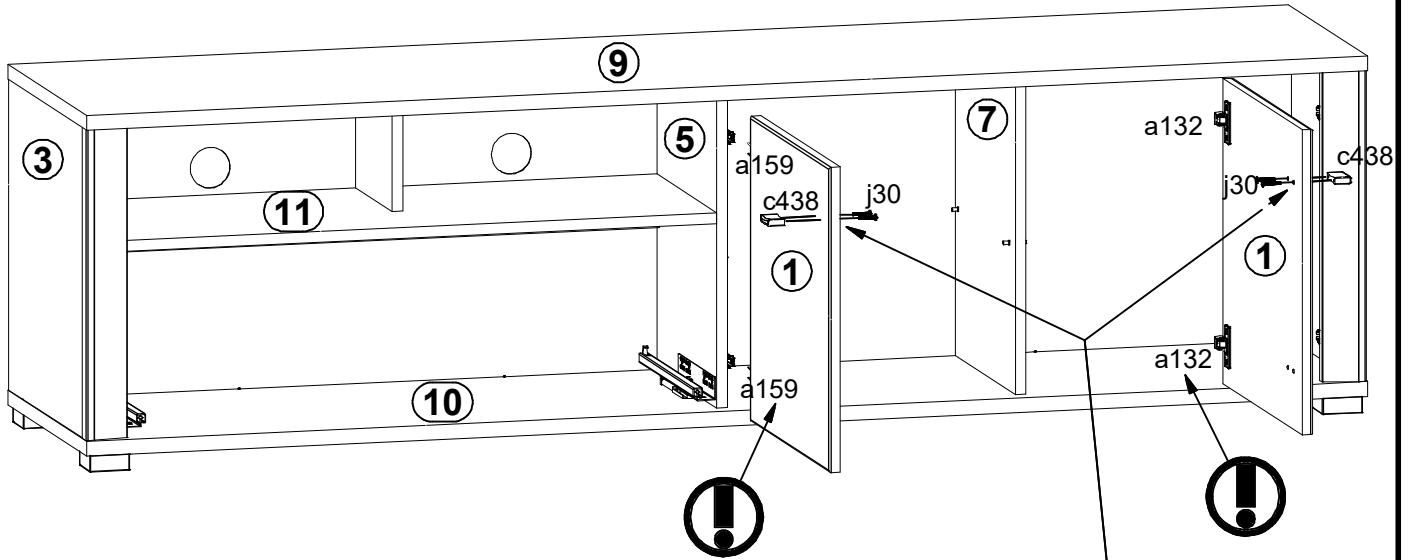
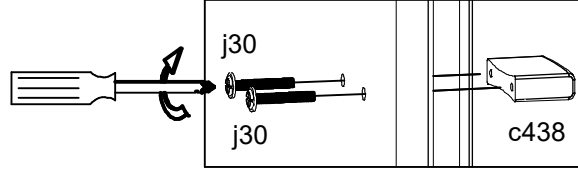


28

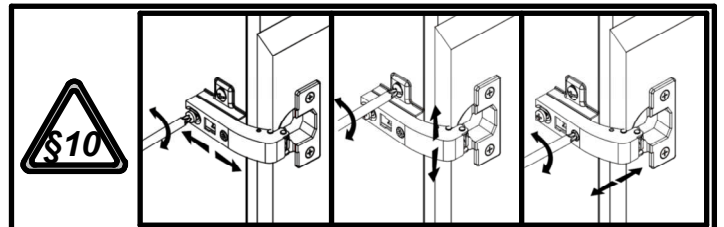
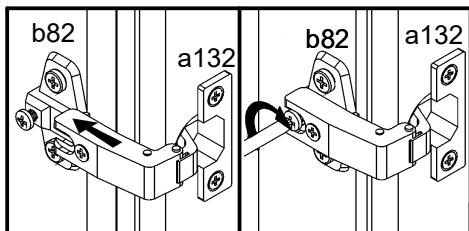
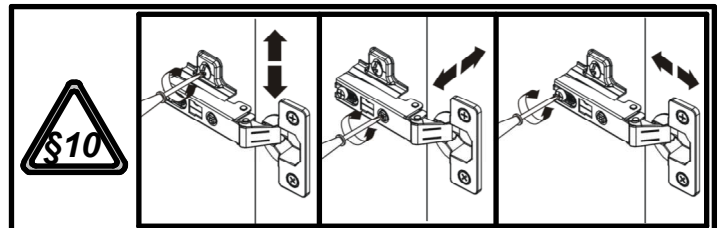
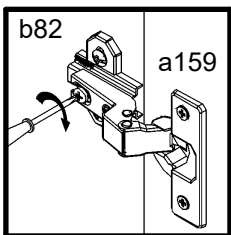
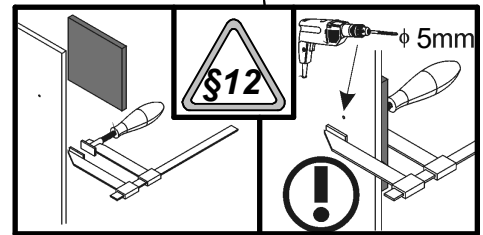
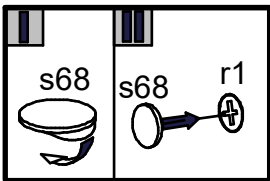
II

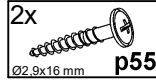


III

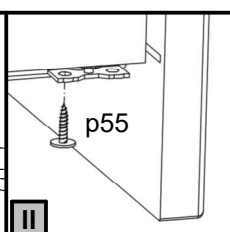
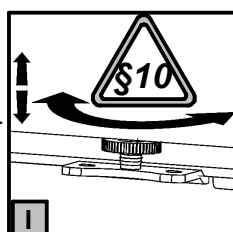
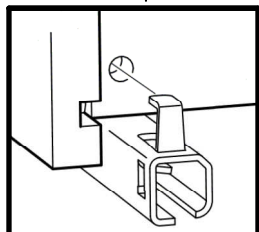
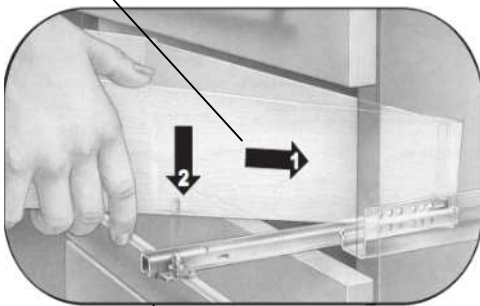
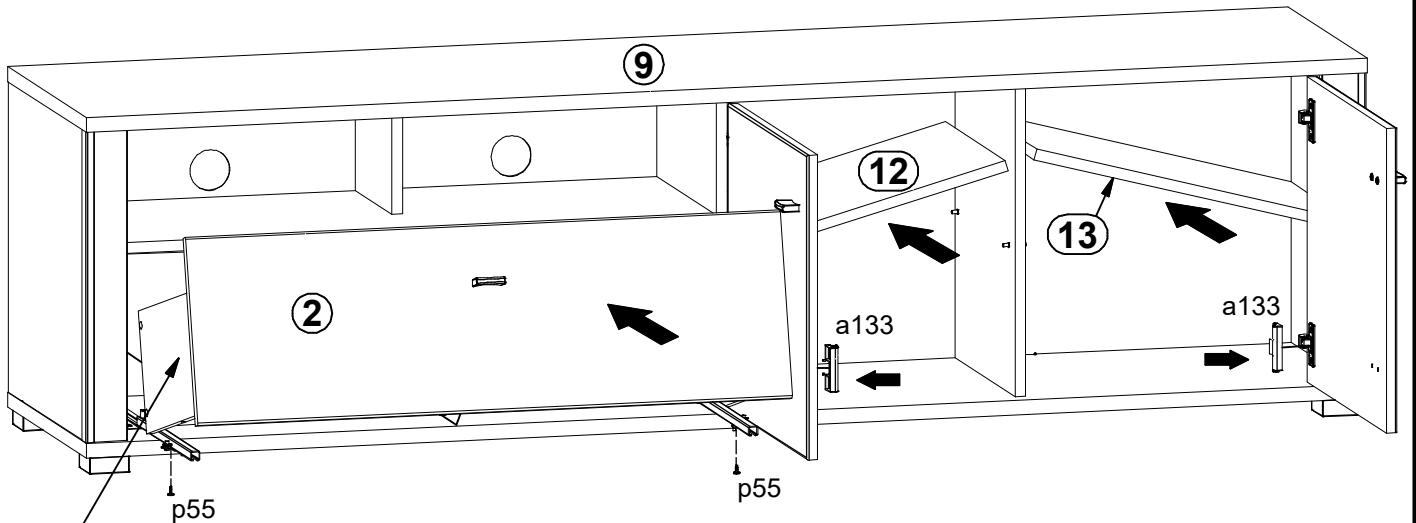
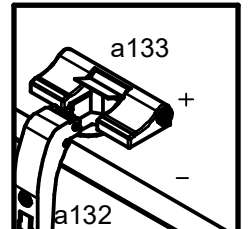
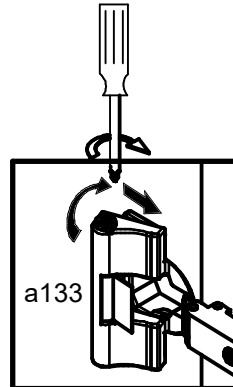
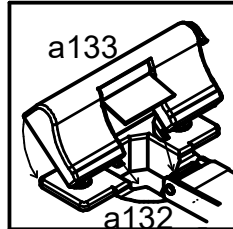
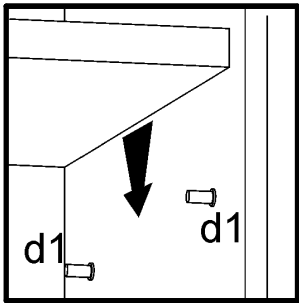


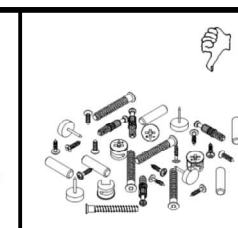
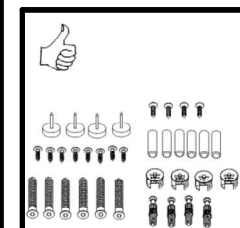
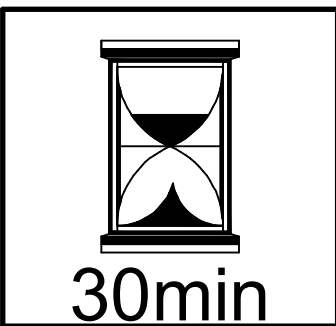
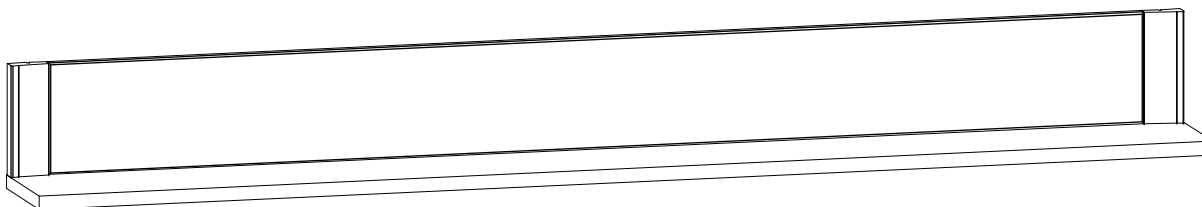
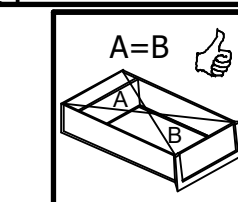
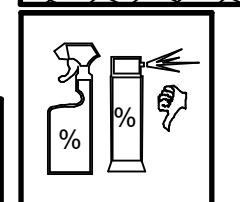
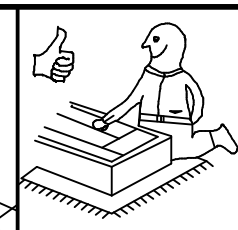
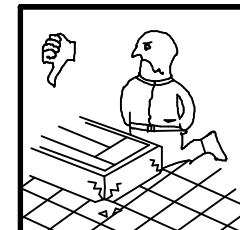
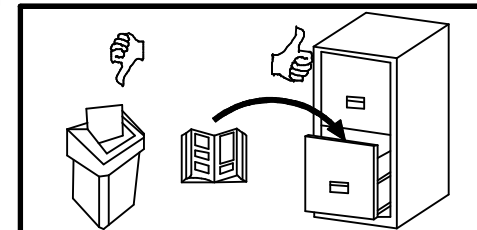
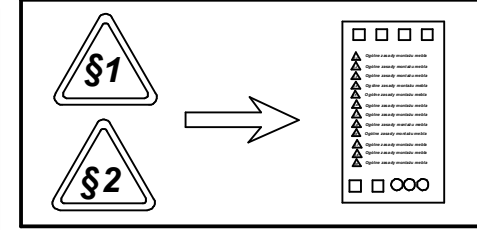
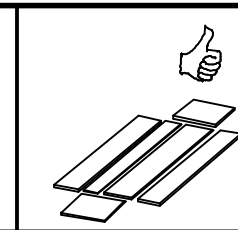
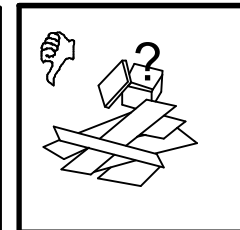
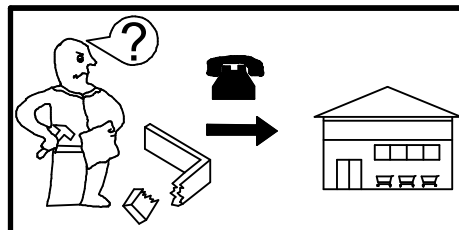
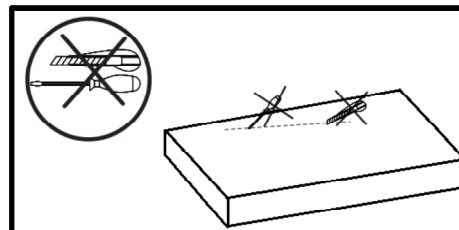
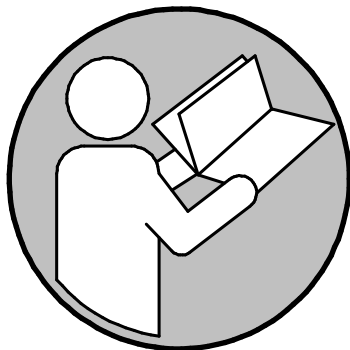
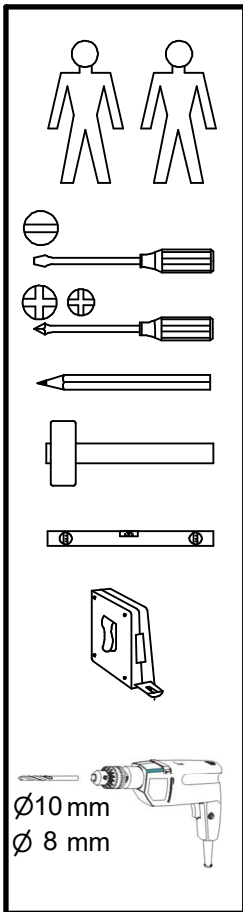
I

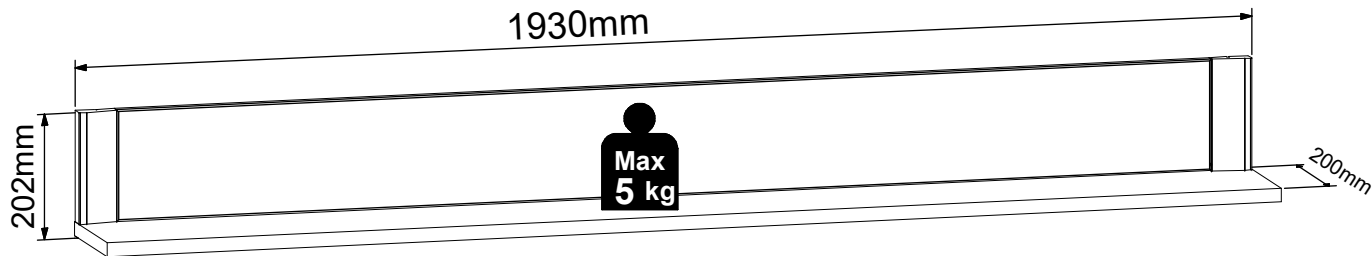




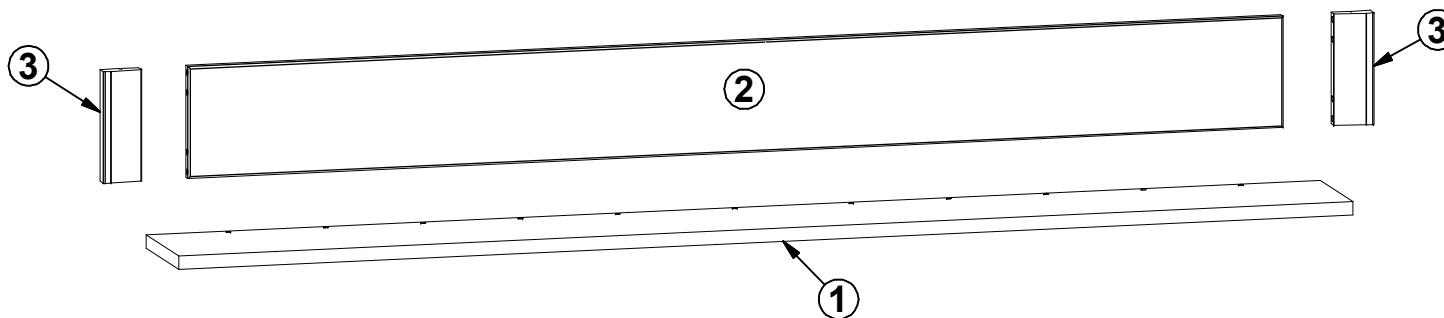
29







| A | B1 | B2 | C1 | C2 | C3 | D |
|---|-----------|-----|------|-----|----|-----|
| 1 | S591-3016 | -.1 | 1930 | 200 | 22 | 1/1 |
| 2 | S591-4501 | -.1 | 1800 | 180 | 16 | 1/1 |
| 3 | S591-5013 | -.1 | 180 | 64 | 25 | 1/1 |

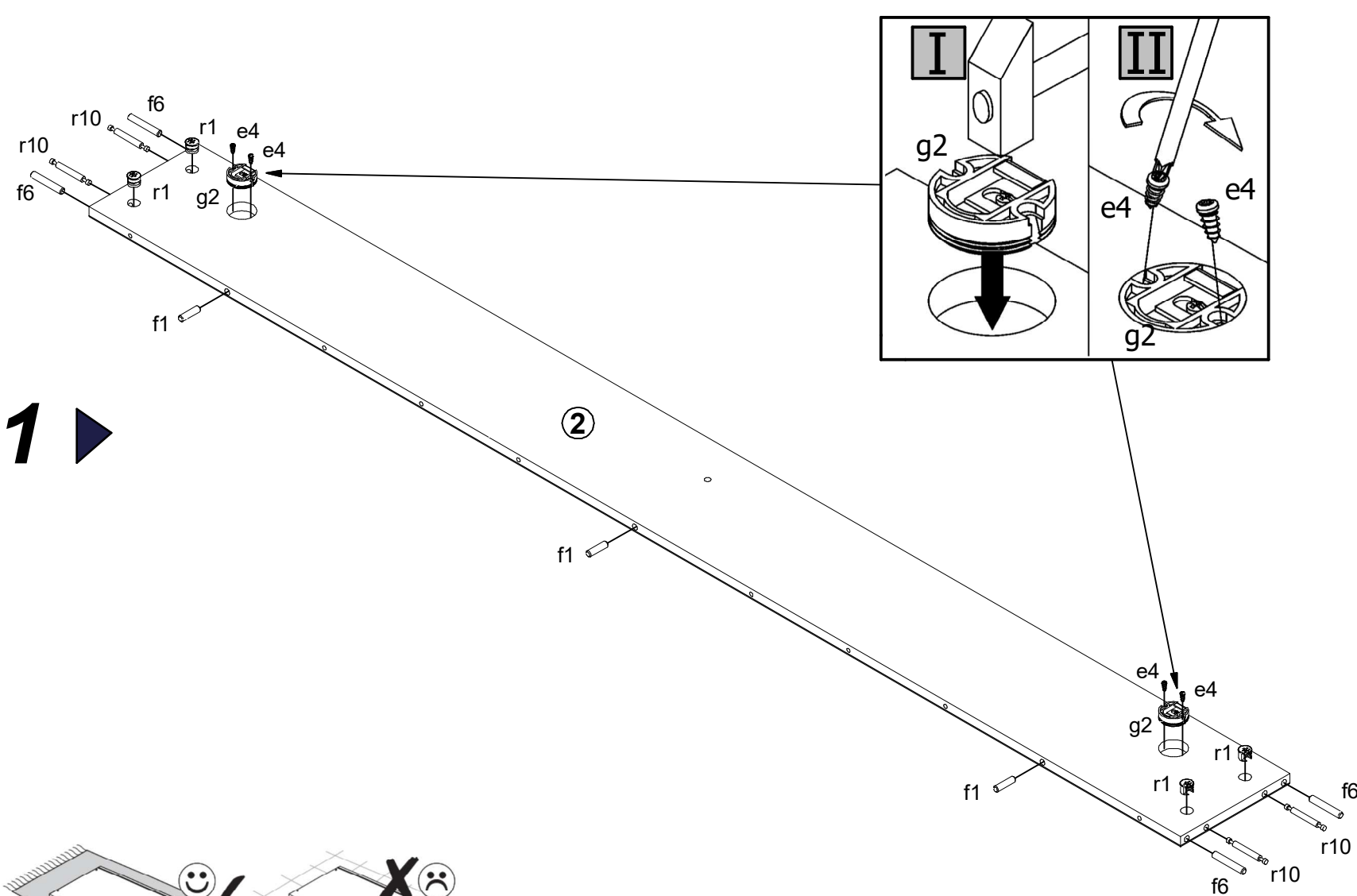
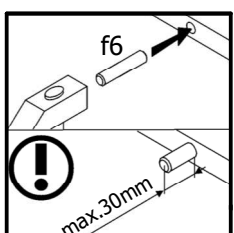
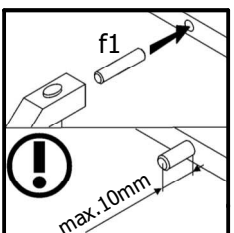
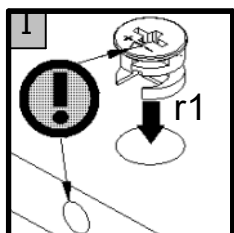
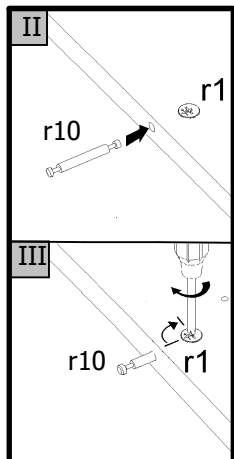


| | | | | | |
|-----------------------|---------------------------|----------------------|-------------------------|---------------------------------------|----------|
| 4x Ø5x11 mm e4 | 8x Ø7x60 mm e8 | 3x Ø8x30 mm f1 | 4x Ø8x50 mm f6 | 2x Ø10x50 mm f35 | 2x g2 |
| 2x Ø6x60 mm p75 | 8x Ø15x12 mm #16 r1 | 4x r10 | 9x Ø14x0.5 mm s59 | 6x silikon Ø12.7x1.8 mm s104 | 1x z1 |



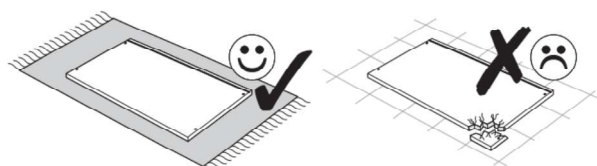


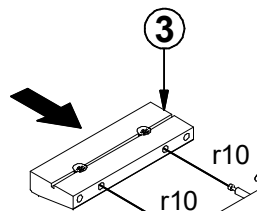
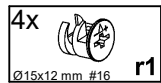
- 4x e4 Ø5x11 mm
- 3x f1 Ø8x30 mm
- 4x f6 Ø8x50 mm
- 2x g2
- 4x r1 Ø15x12 mm #16
- 4x r10 Ø8x50 mm



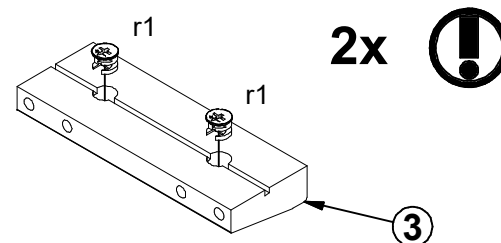
1

2

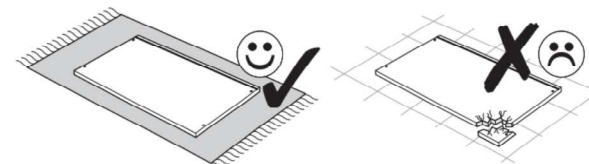




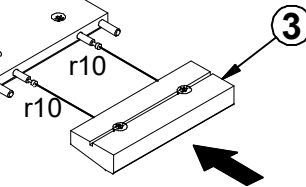
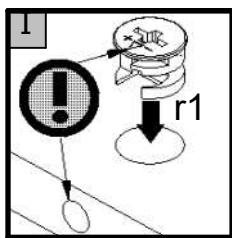
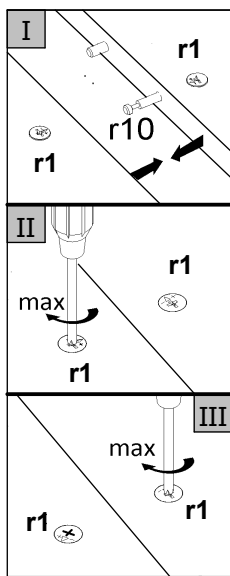
2 ▶



②



3 ▶

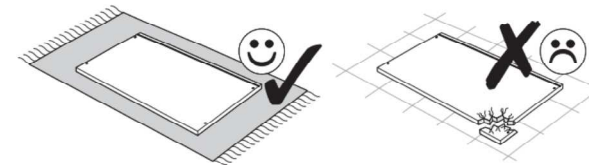
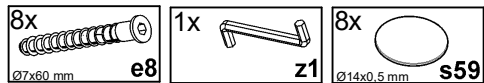


A

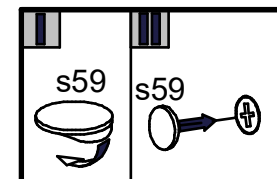
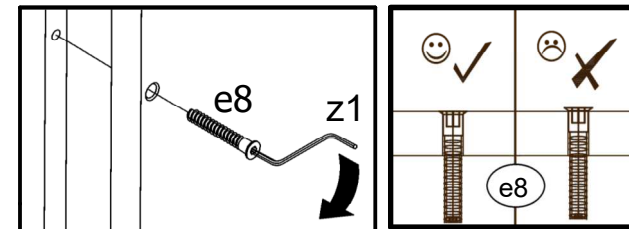
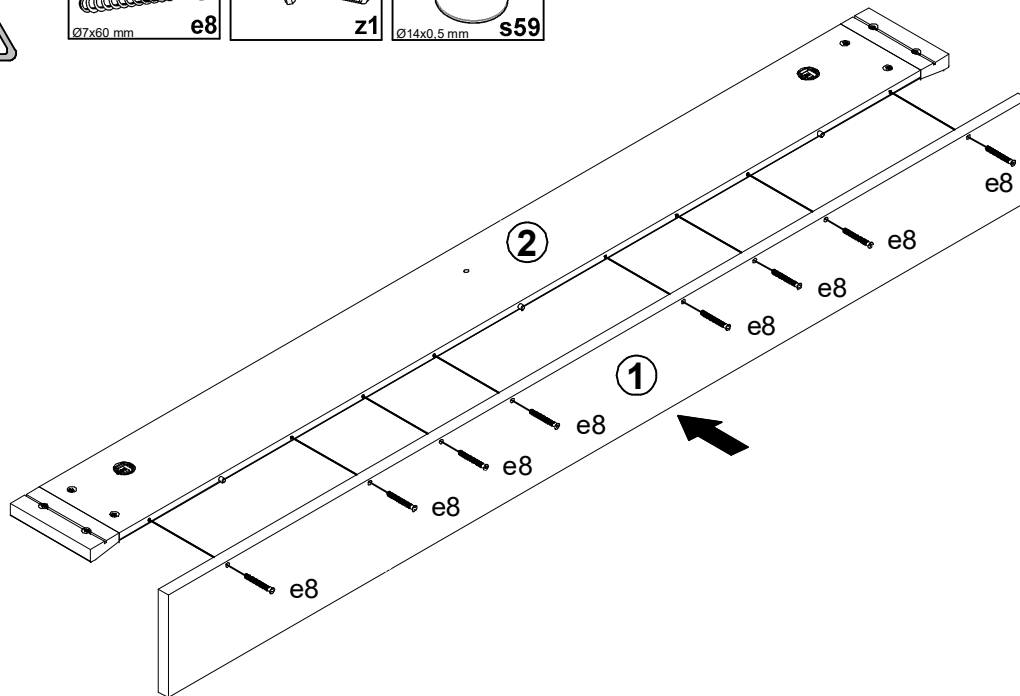
S591-POL_190

10 P8 2W 40

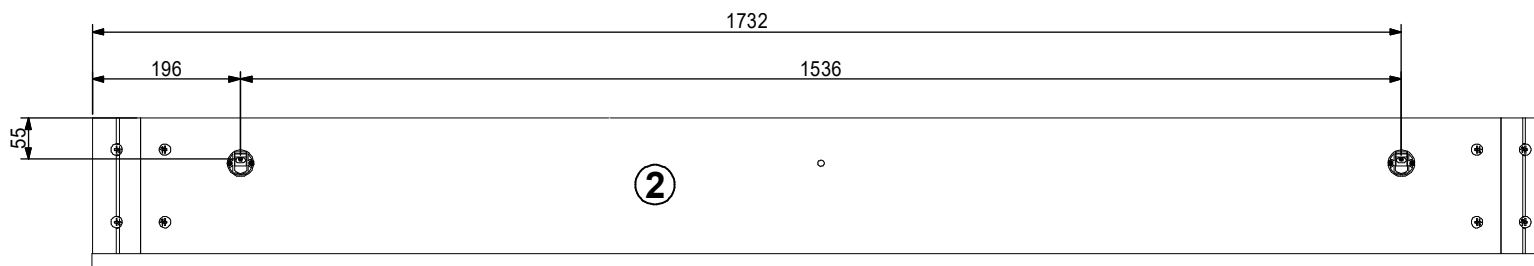
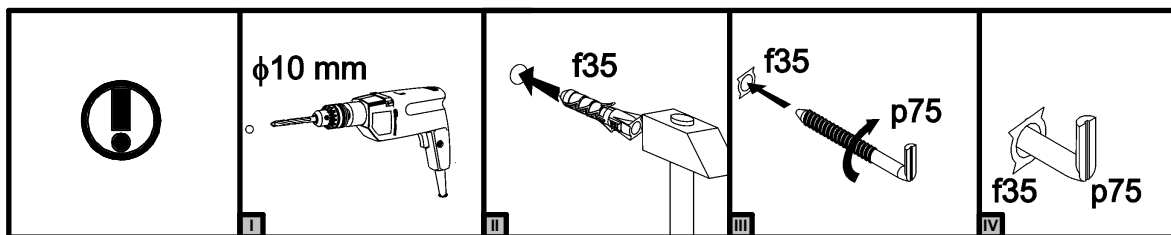
5 / 8

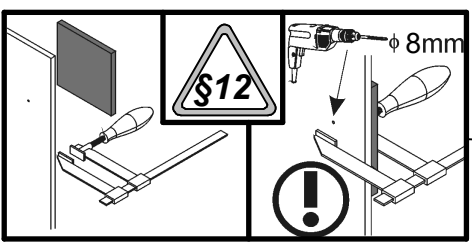
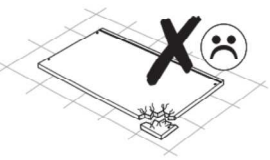
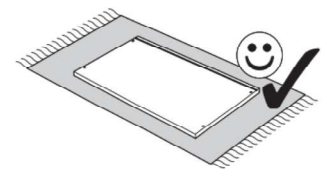


4 ▶

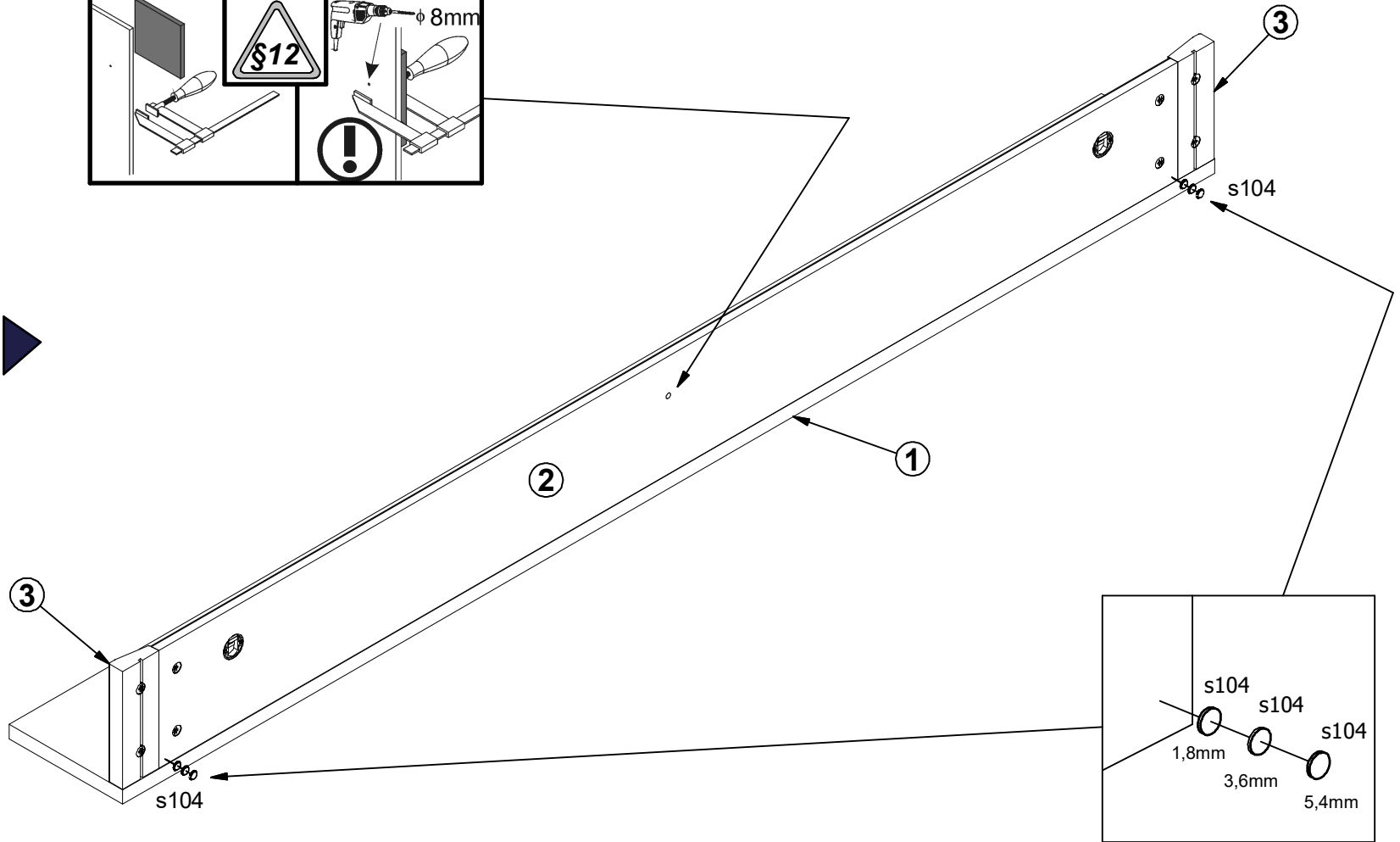


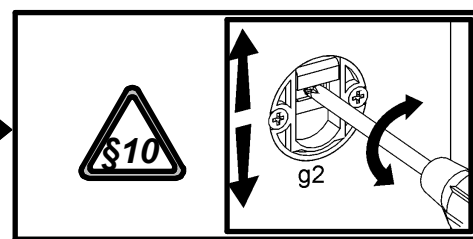
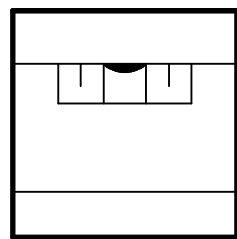
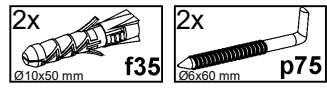
5 ▶



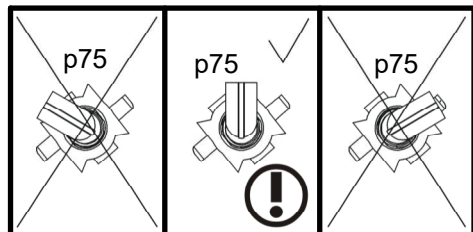
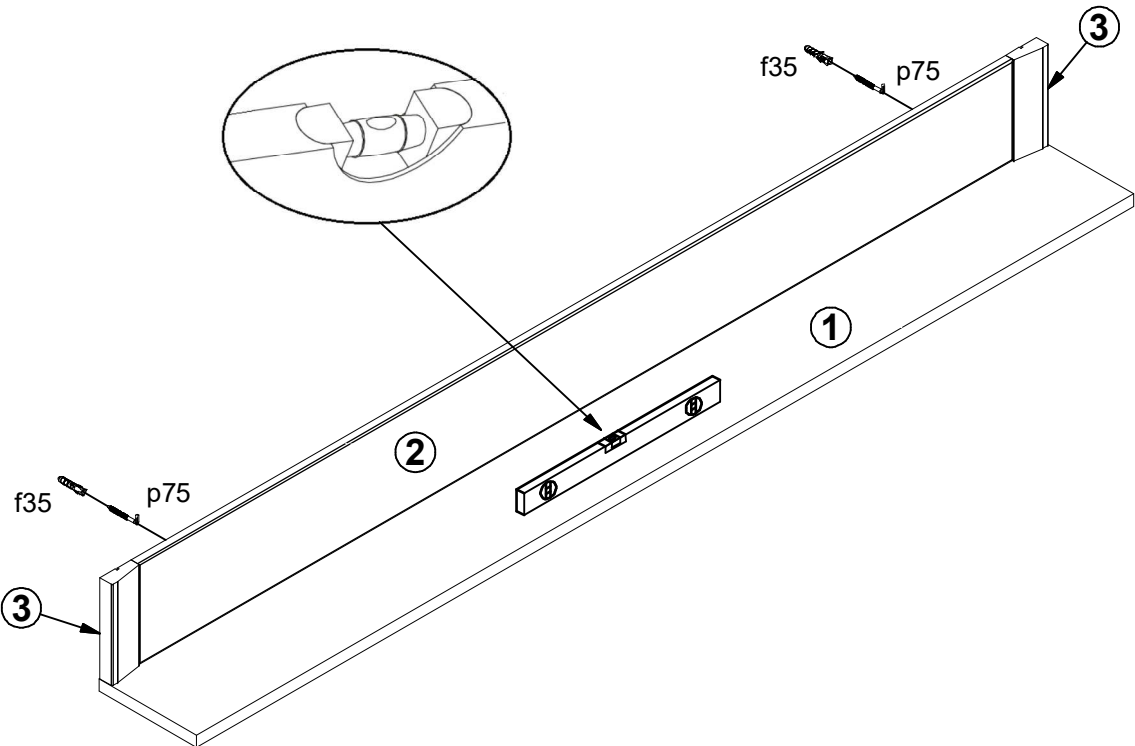
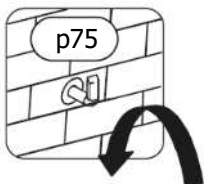
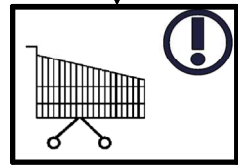
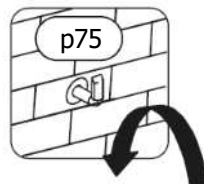
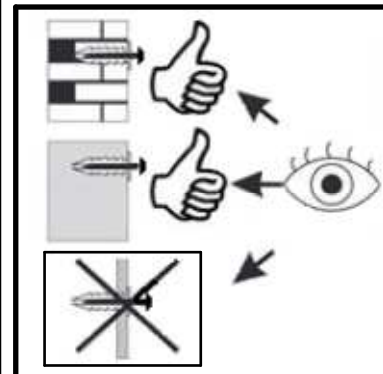
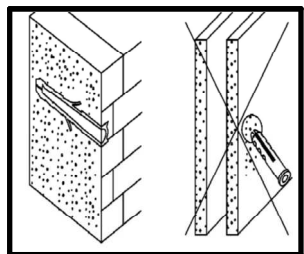


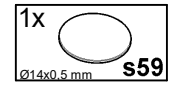
6 ▶





7 ▶





8 ▶

