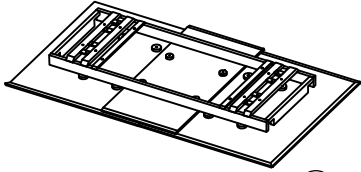
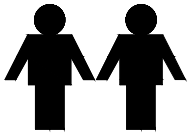


ASSEMBLY INSTRUCTION



① × 1



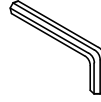
② × 4



M8 × 20mm
③ × 16

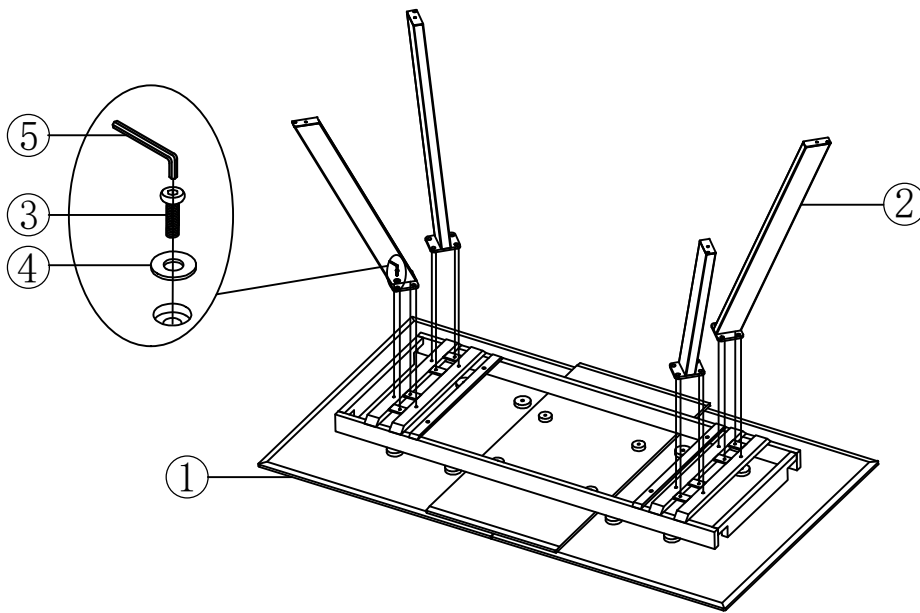


Ø20 × Ø10 × 2mm
④ × 16



#5
⑤ × 1

1



2

