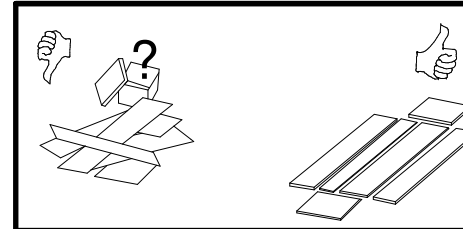
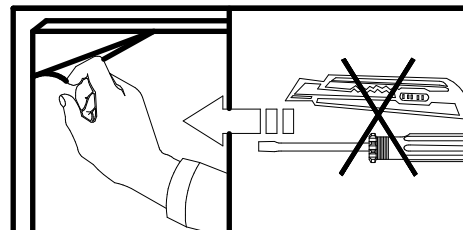
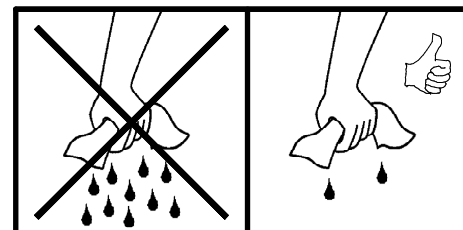
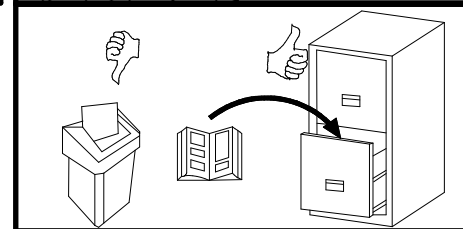
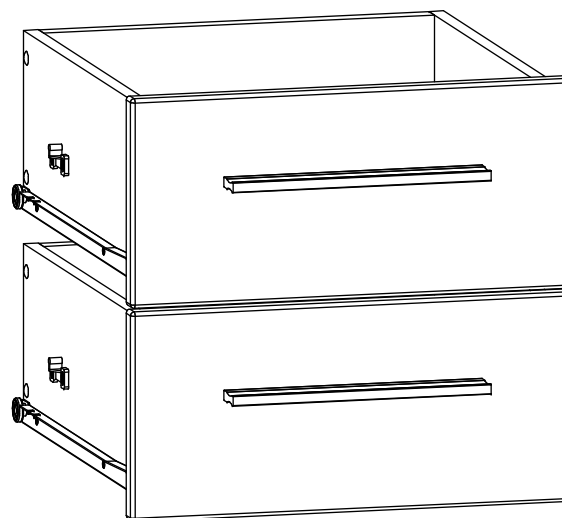
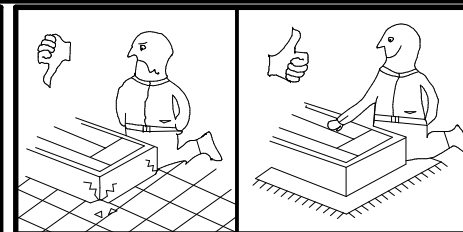
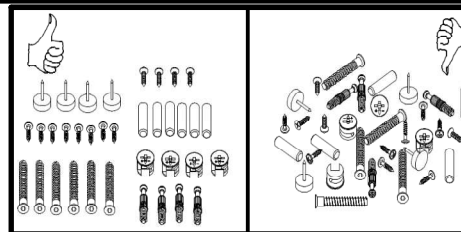
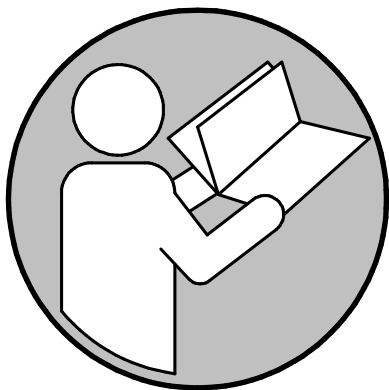
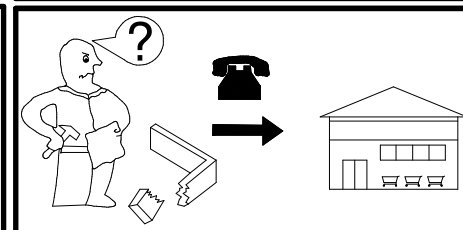
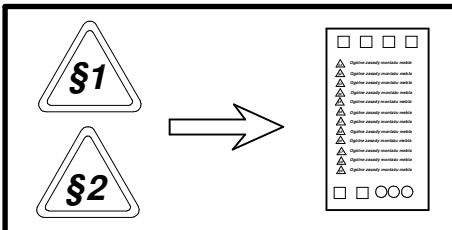
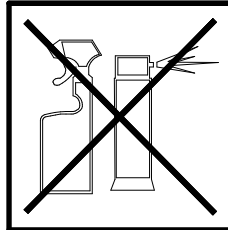
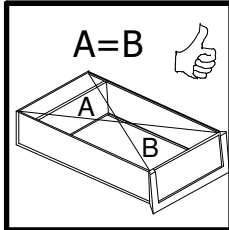
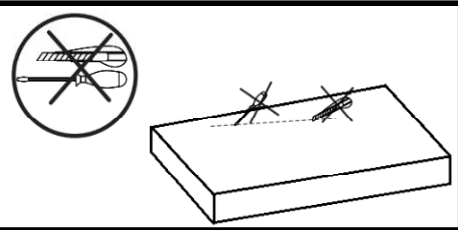
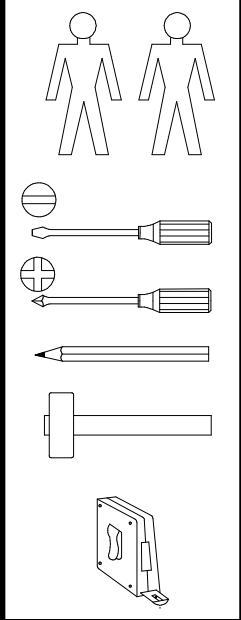


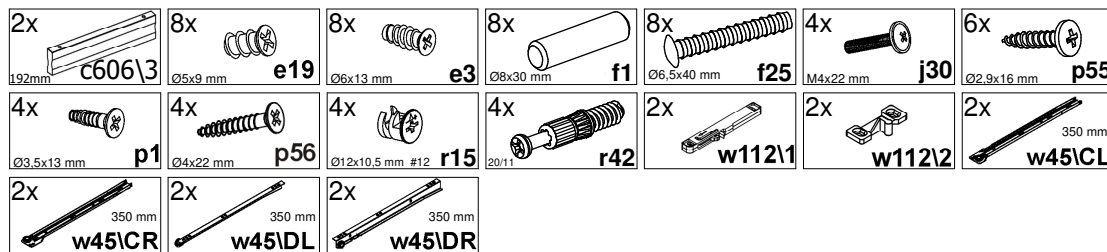
A**S643-SZU/38/35/A****CONNECT**

24270215/17
24270215/18

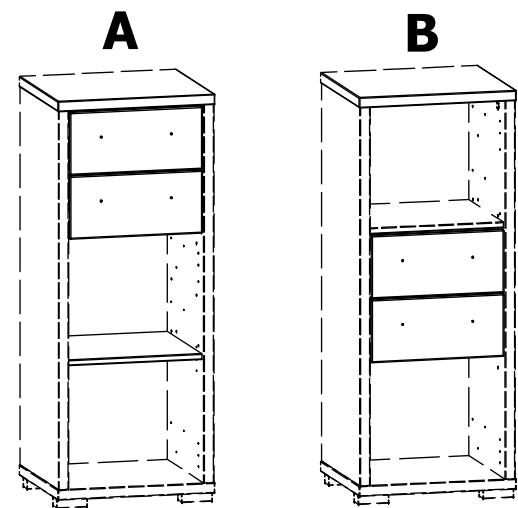




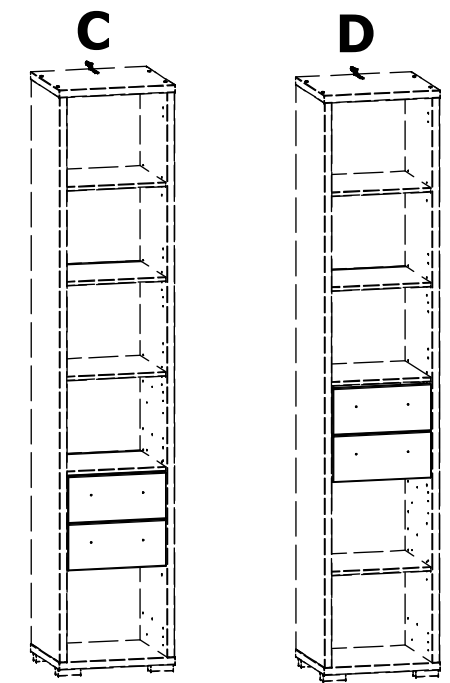
45 min



A	B1	B2	C1	C2	C3	D
1	S643-0009	-	364	169	16	1/1
2	S643-5007	-	350	140	12	1/1
3	STR-5007	-	321	140	15	1/1
4	WDF-9104	-	343	358	2,5	1/1
5	WSR3-5006	-8	350	140	12	1/1

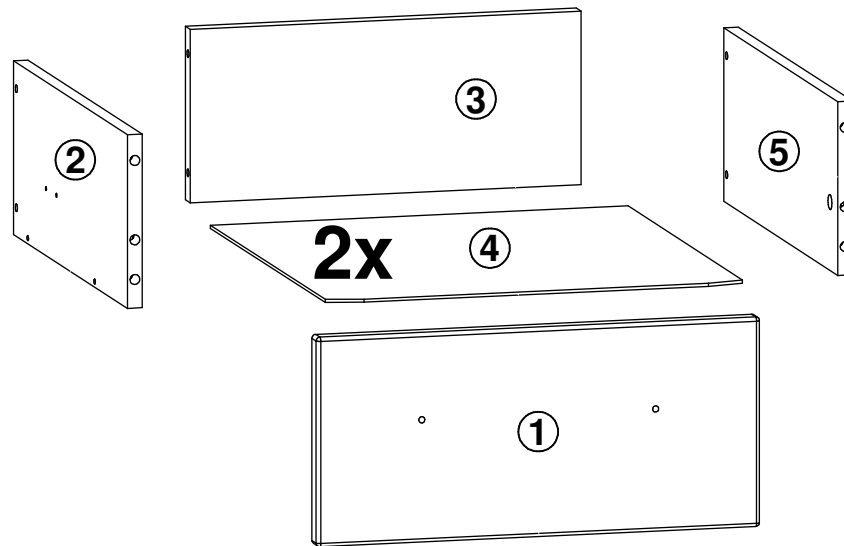


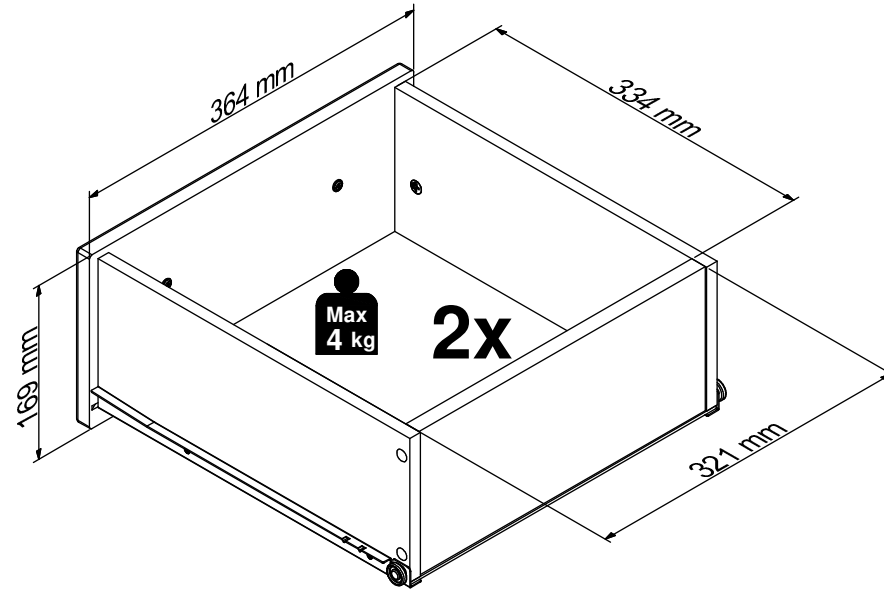
S643-REG/110/43


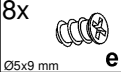
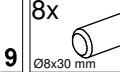
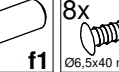
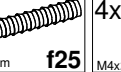

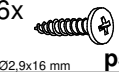
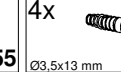
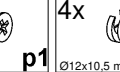
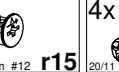




S643-REG/213/43



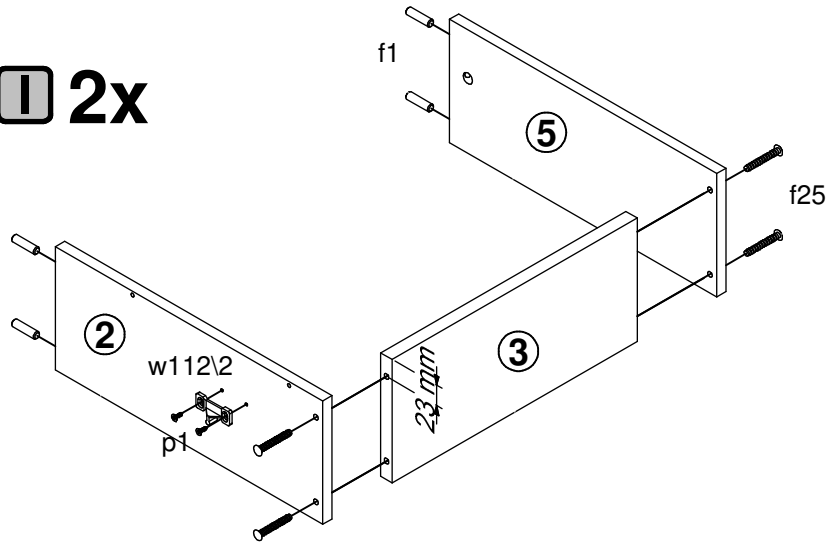




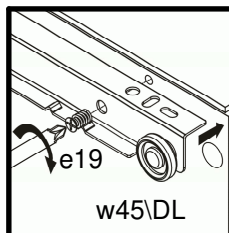
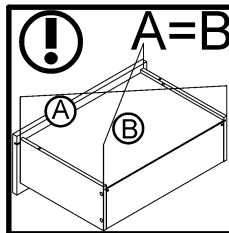
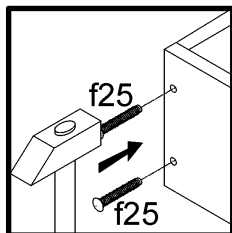
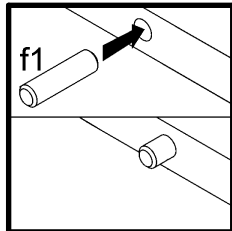
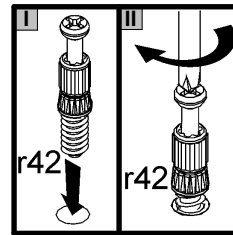
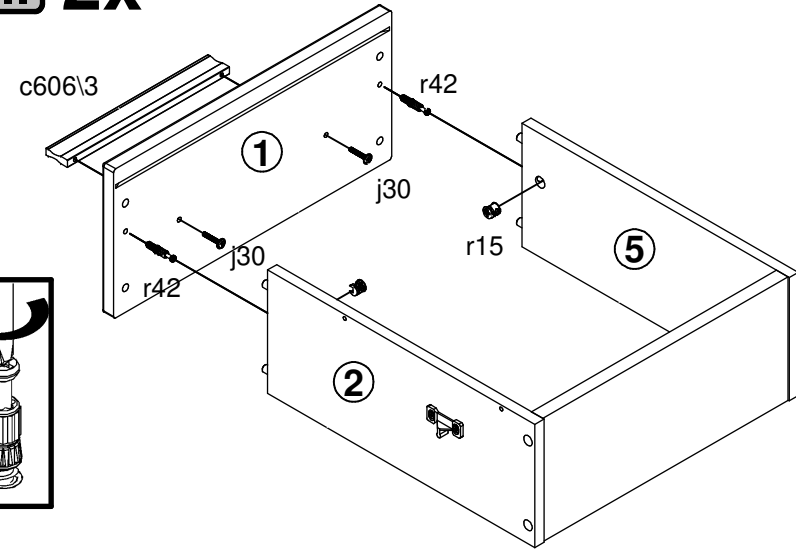
- 1 2x  c606\3
- 8x  e19
- 8x  f1
- 8x  f25
- 4x  j30
- 6x  p55
- 4x  p1
- 4x  r15
- 4x  r42
- 2x  w112\2
- 2x  w45\DL 350 mm
- 2x  w45\DR 350 mm



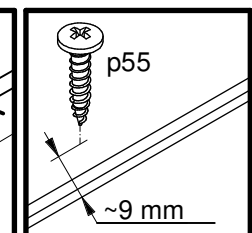
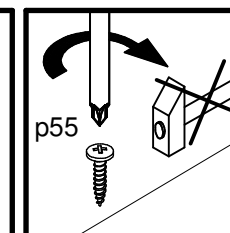
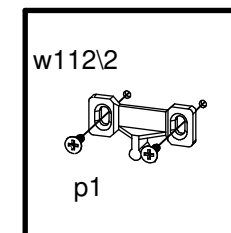
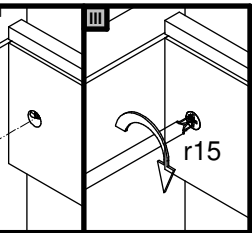
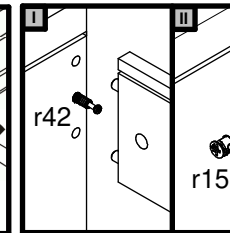
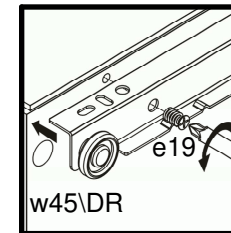
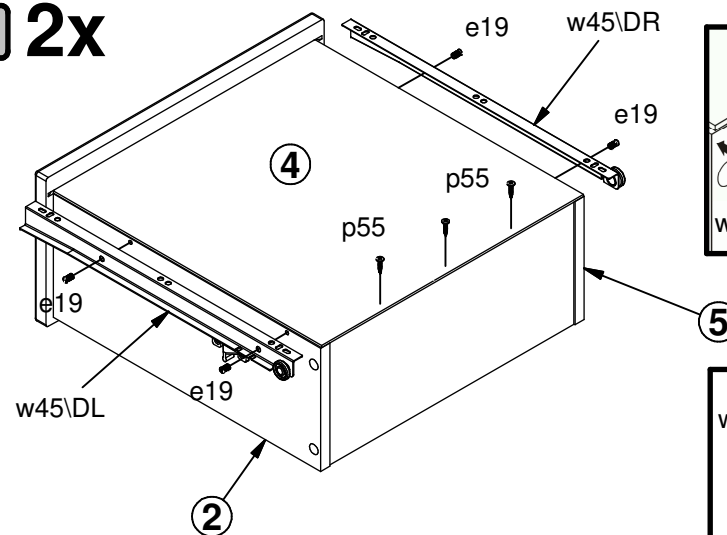
I 2x




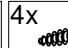



II 2x

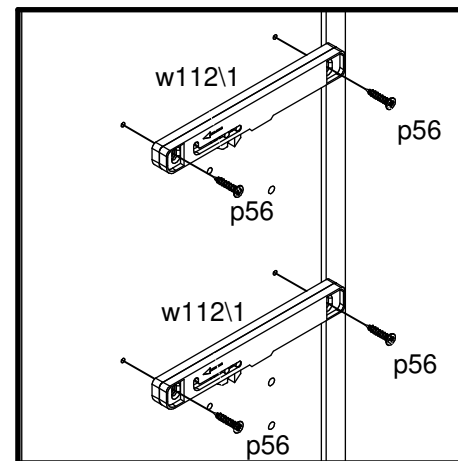
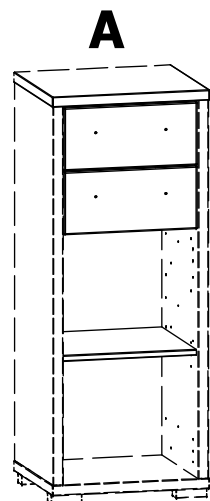
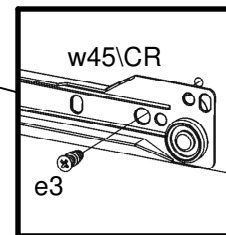
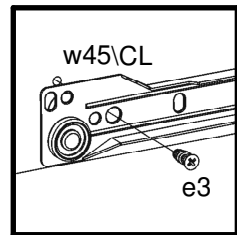
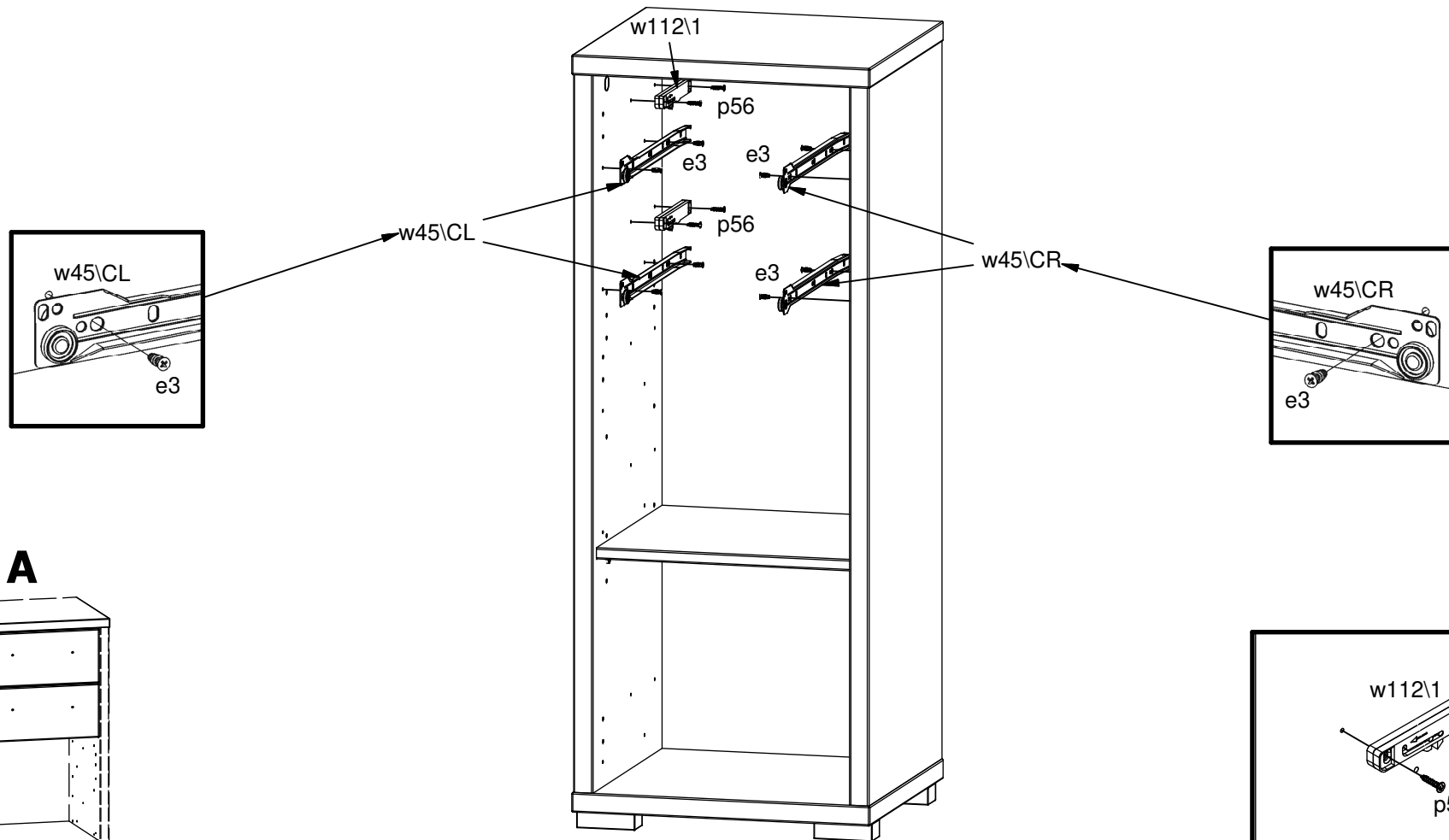


III 2x



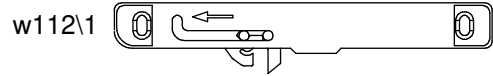
2A

- 8x  Ø6x13 mm e3
- 4x  Ø4x22 mm p56
- 2x  w112\1
- 2x  350 mm w45\CL
- 2x  350 mm w45\CR

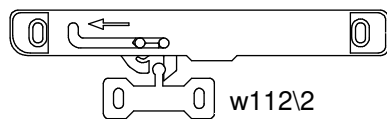
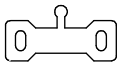


S643-REG/110/43

3A

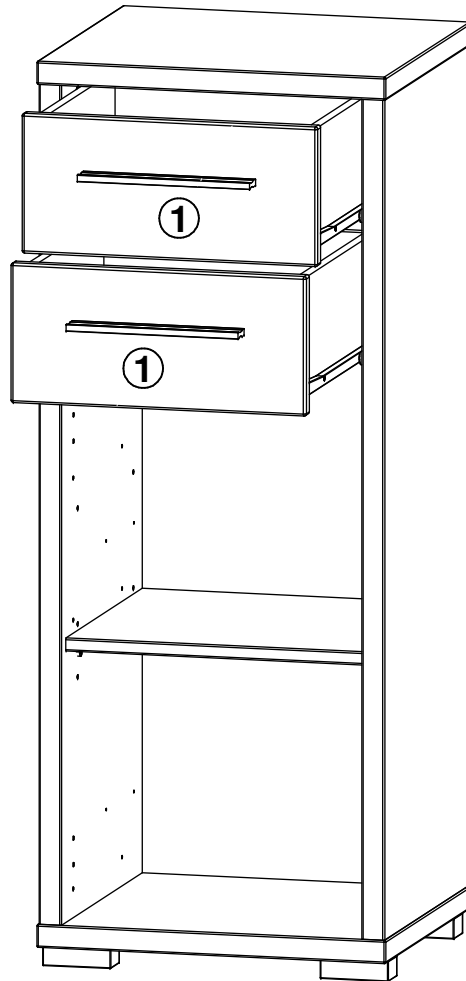


w112\2

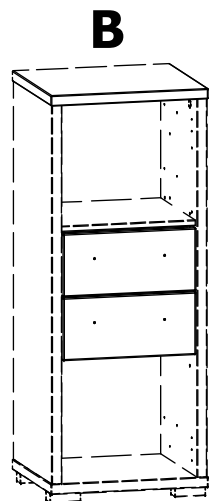
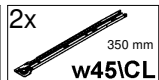
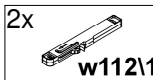
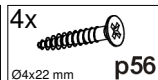
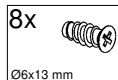


w112\1

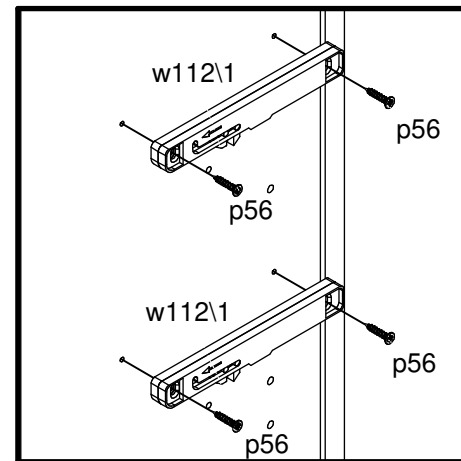
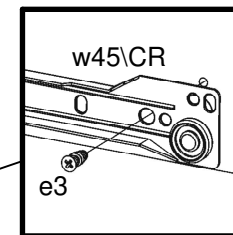
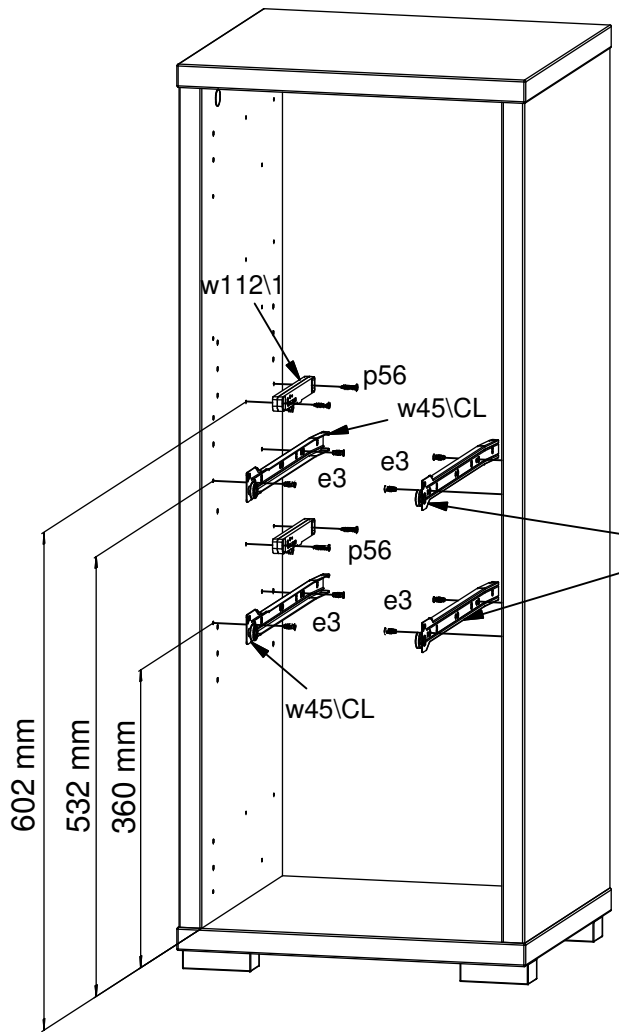
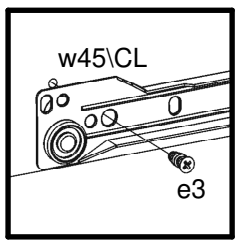
w112\2



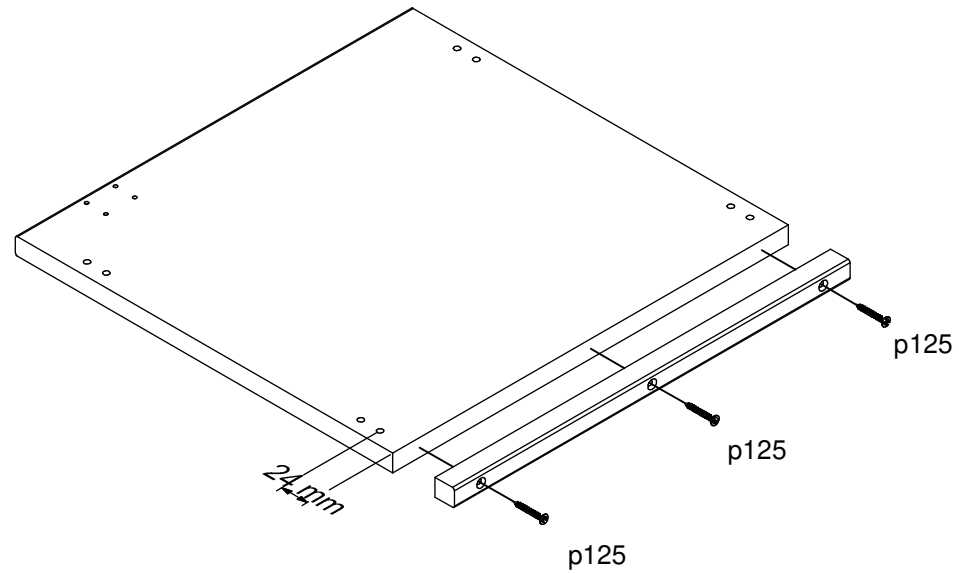
2B



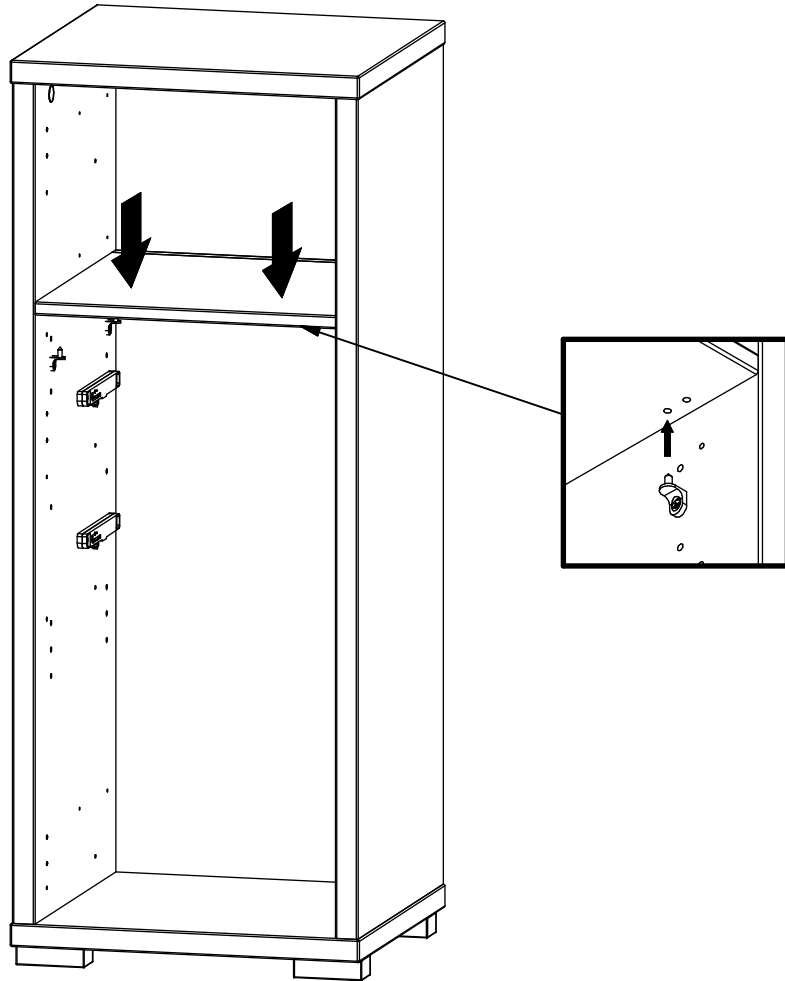
S643-REG/110/43



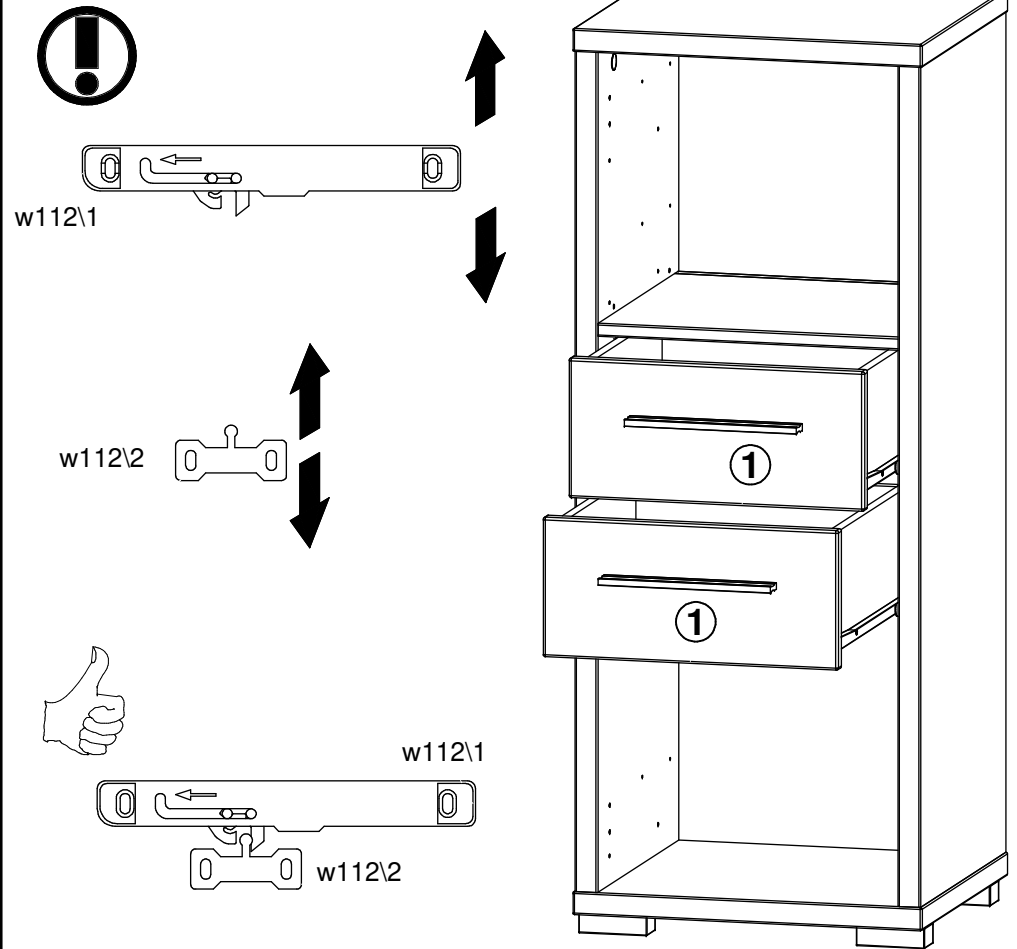
3B



4B



5B

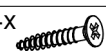


2C

8x
Ø6x13 mm
e3



4x
Ø4x22 mm
p56



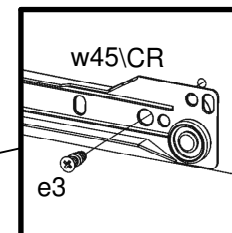
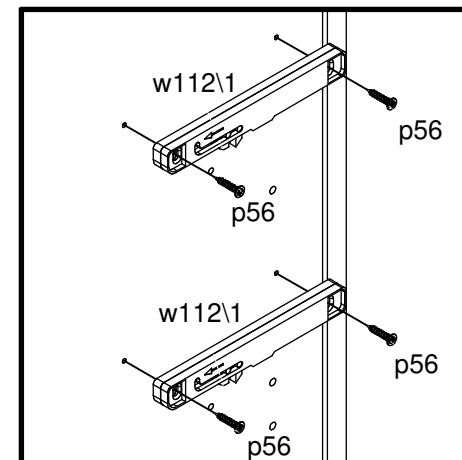
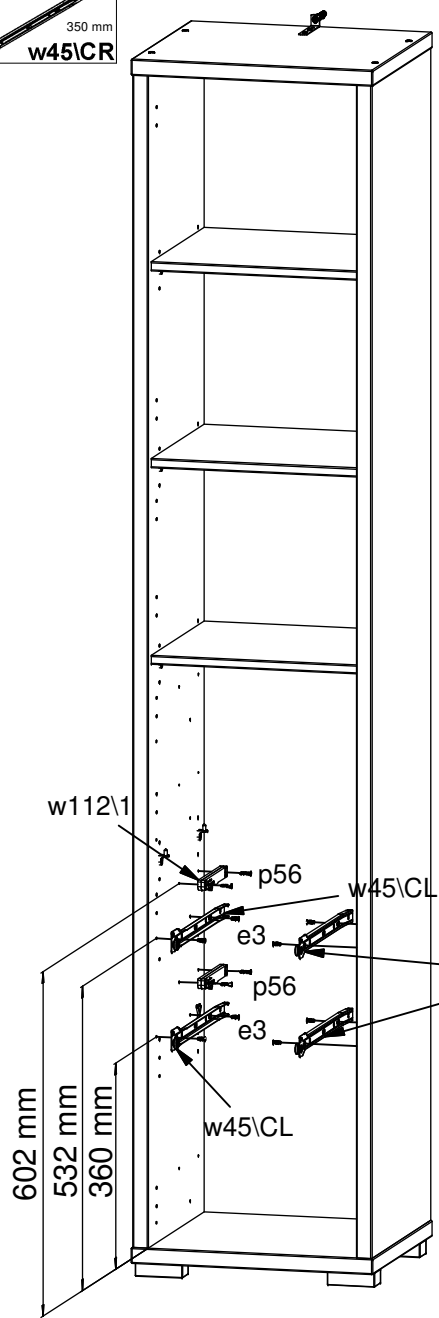
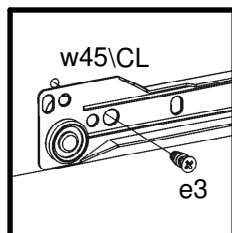
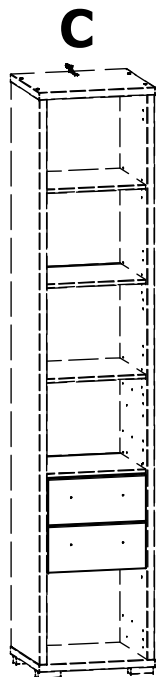
2x
w112\1



2x
350 mm
w45\CL

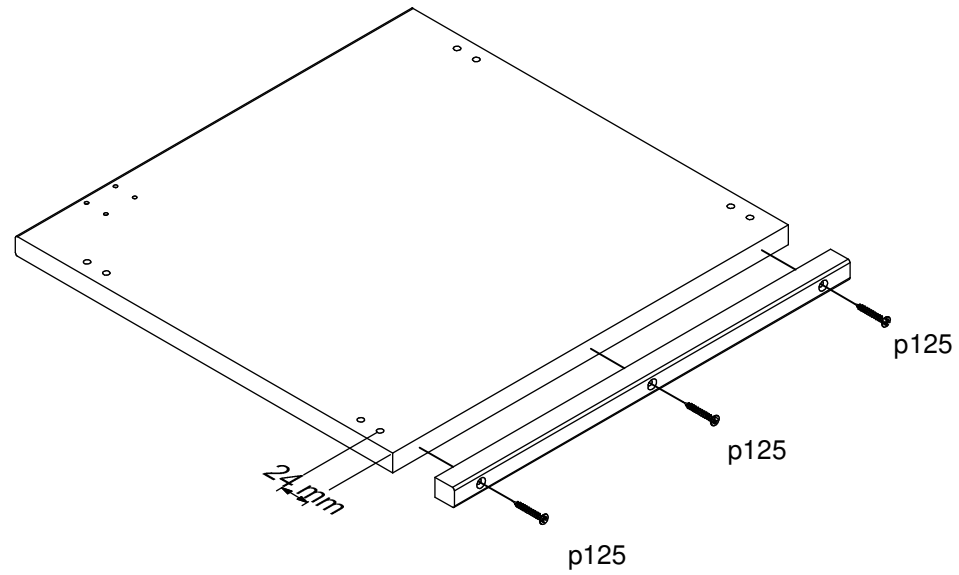


2x
350 mm
w45\CR

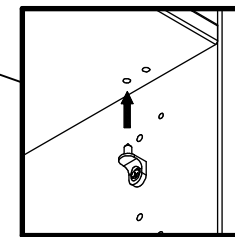
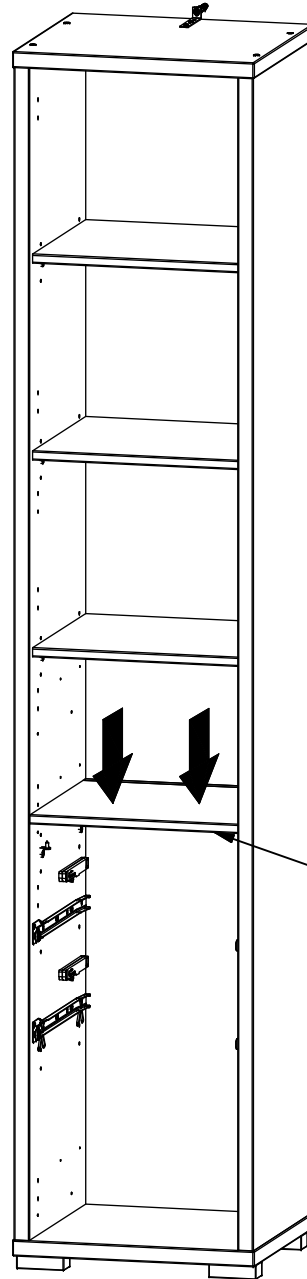


S643-REG/213/43

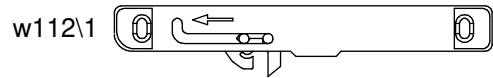
3C



4C

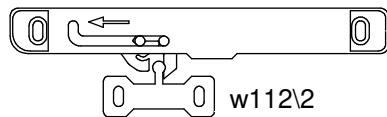
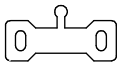


5C



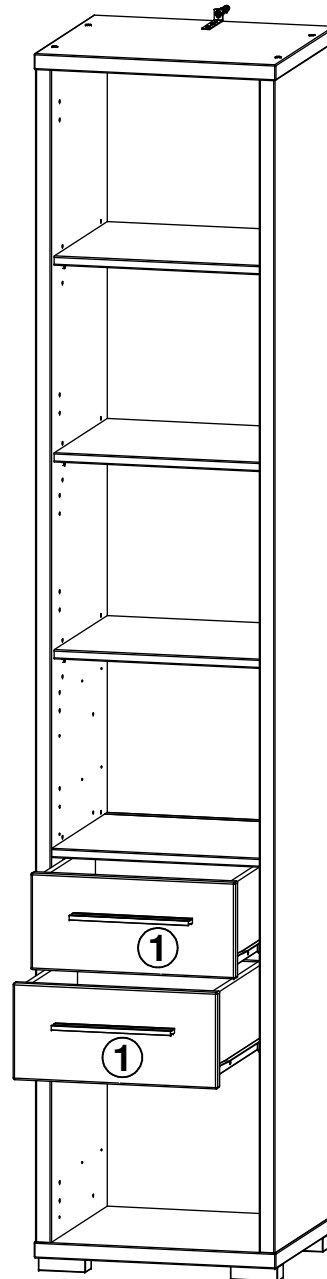
w112\1

w112\2

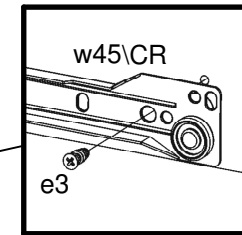
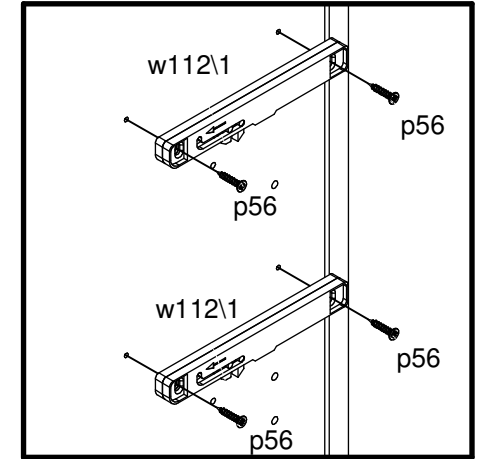
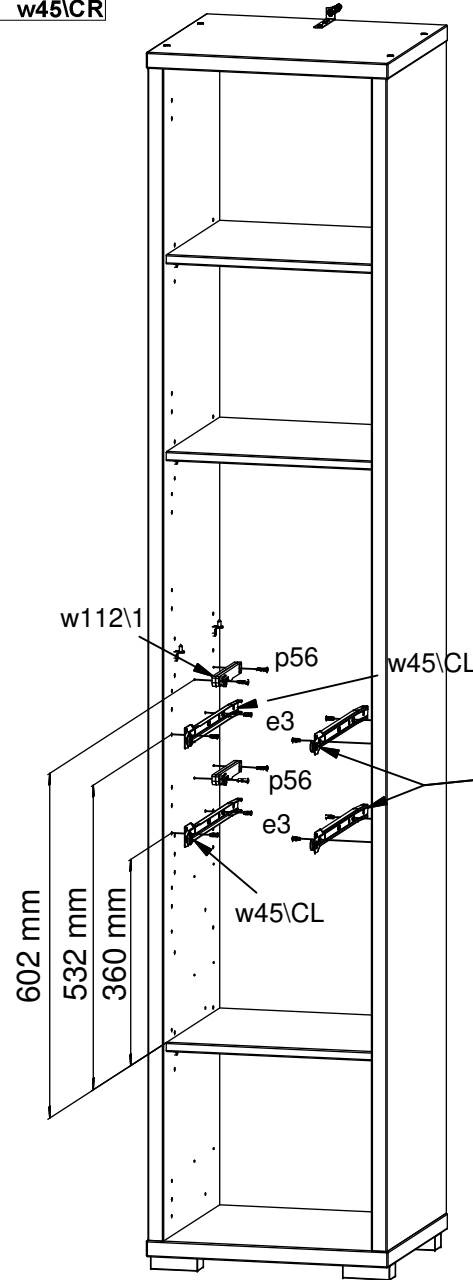
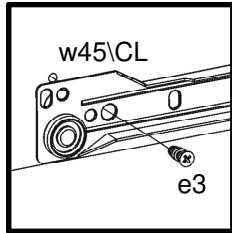
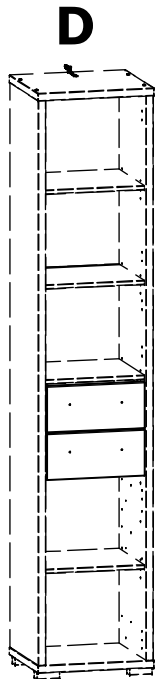
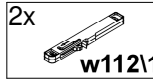
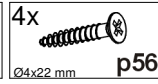
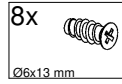


w112\1

w112\2

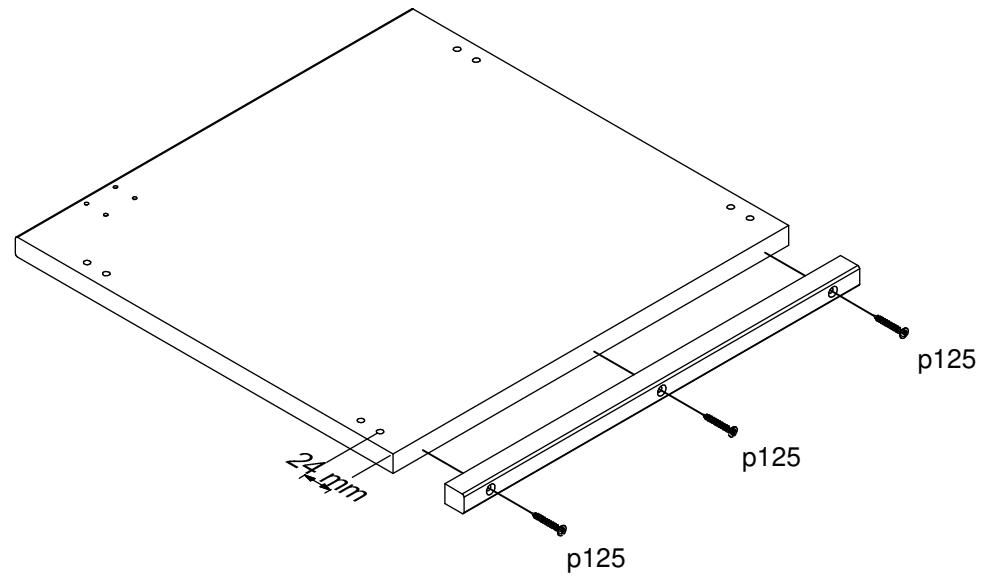


2D

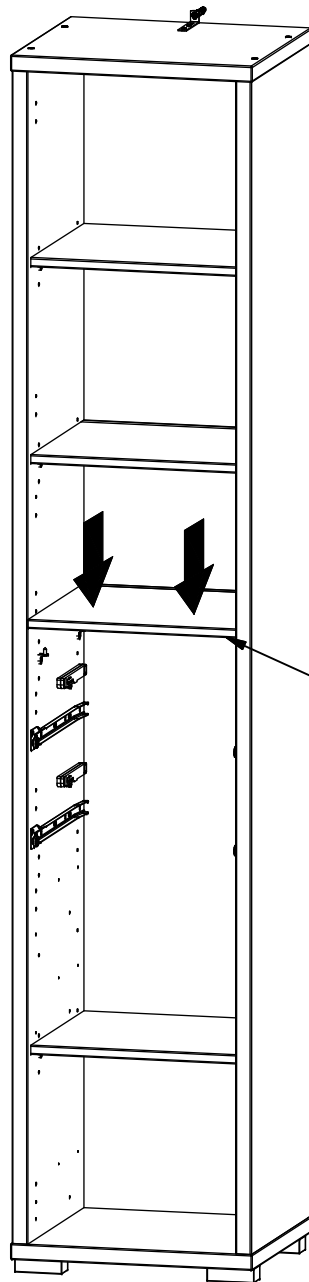


S643-REG/213/43

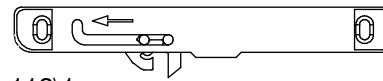
3D



4D



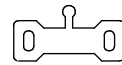
5D



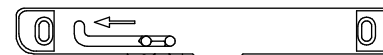
w112\1



w112\2



w112\1



w112\2

