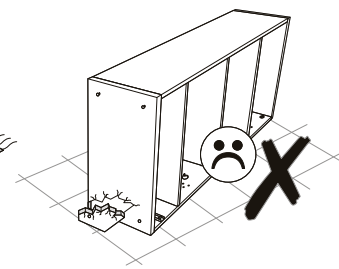
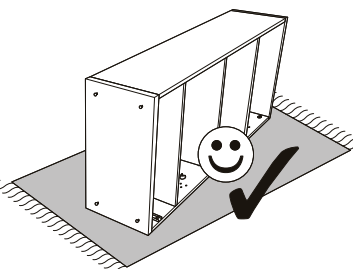
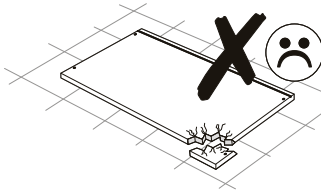
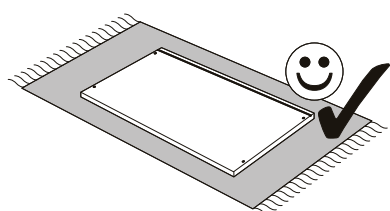
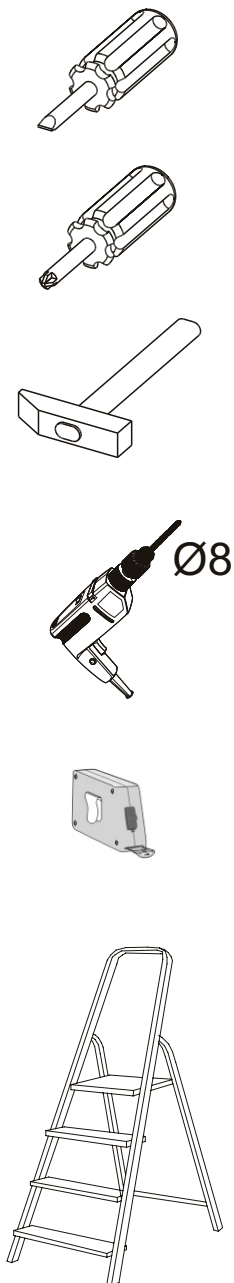
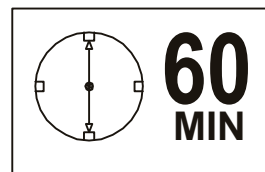
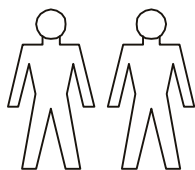

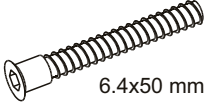

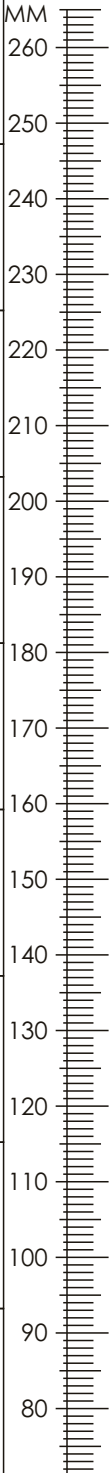
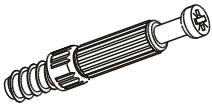
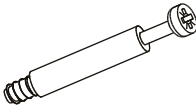






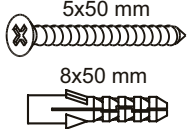
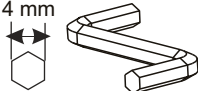
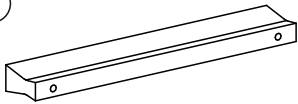

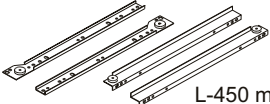
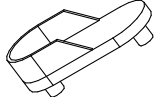
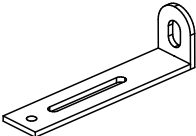
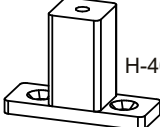
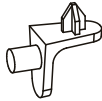
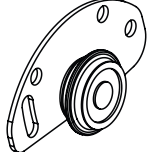
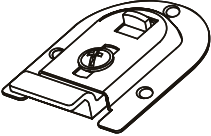
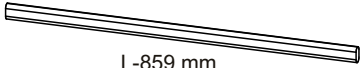
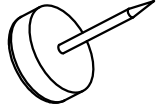
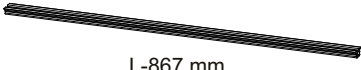
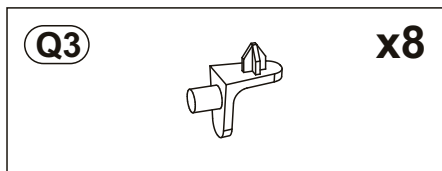


MIKA 90 2T4L

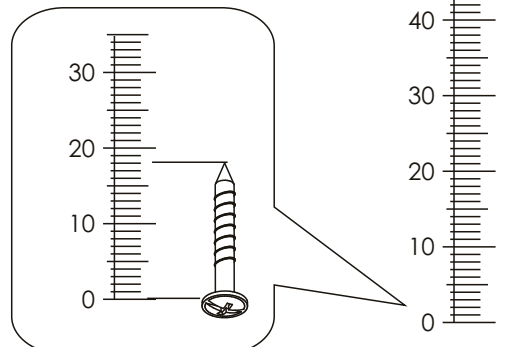
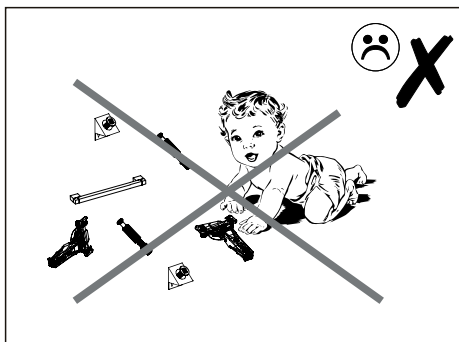
00030092/03

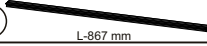




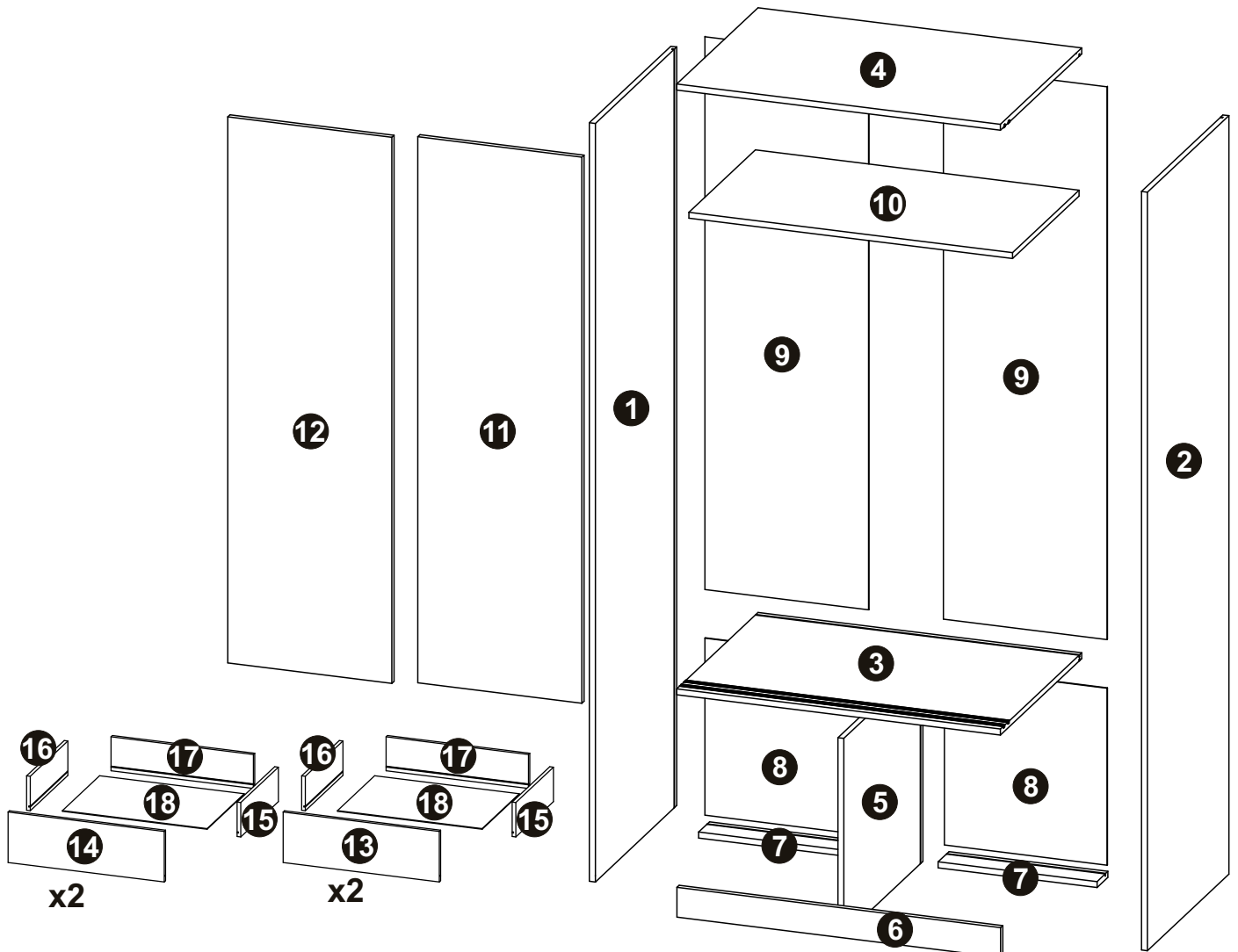
A0  8x30 mm x57	B1  6.4x50 mm x8	C0  x16	
C2  x31	C6  x2	C7  16 mm x33	
D0  3x15 mm x38	D5  3.5x16 mm x42	D16  4x30 mm x12	
D21  5x13 mm x34	D31  6.3x13 mm x12	E0  5x50 mm 8x50 mm x2	
K  4 mm x1	L0  x6	M1  x38	
N3  L-450 mm x4	O0  x2	P0  x2	
P35  H-40 mm x2	Q3  x4	R13  x4	
R14  x4	S0  L-859 mm x1	T3  x6	
		R3  L-867 mm x4	

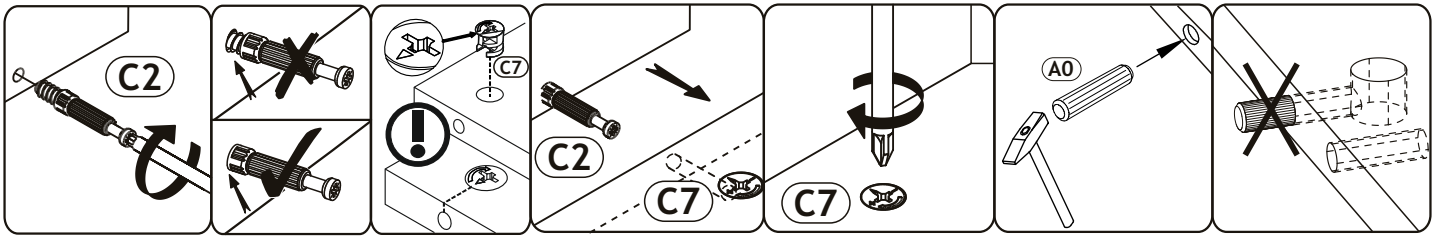


Option

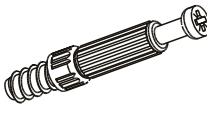



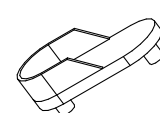
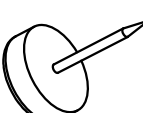


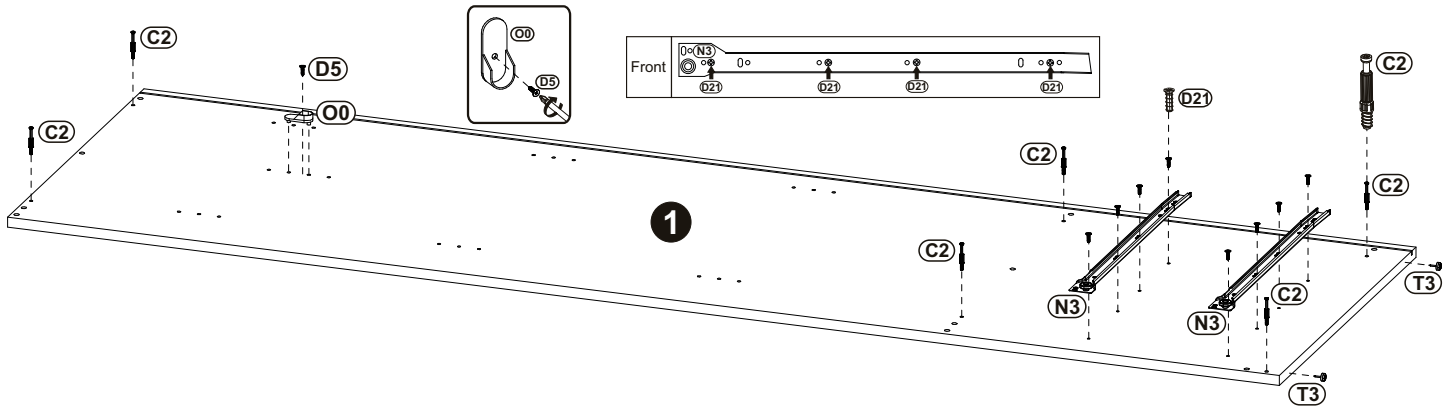
1	2035	600	16	x1	1/4
2	2035	600	16	x1	1/4
3	868	599	16	x1	3/4
4	868	599	16	x1	3/4
5	529	582	16	x1	4/4
6	868	80	16	x1	3/4
7	426	80	16	x2	4/4
8	436	475	2,8	x2	2/4
9	1483	878	2,8	x1	2/4
10	868	490	16	x1	3/4
11	1465	440	16	x1	2/4
12	1465	440	16	x1	2/4
13	430	220	16	x2	4/4
14	430	220	16	x2	4/4
15	450	150	16	x4	4/4
16	450	150	16	x4	4/4
17	369	148	16	x4	4/4
18	379	444	2,8	x4	2/4
R3					3/4
S0					3/4
					4/4



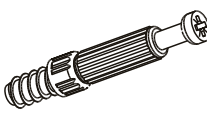
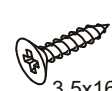

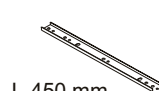
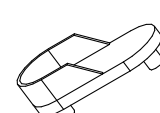



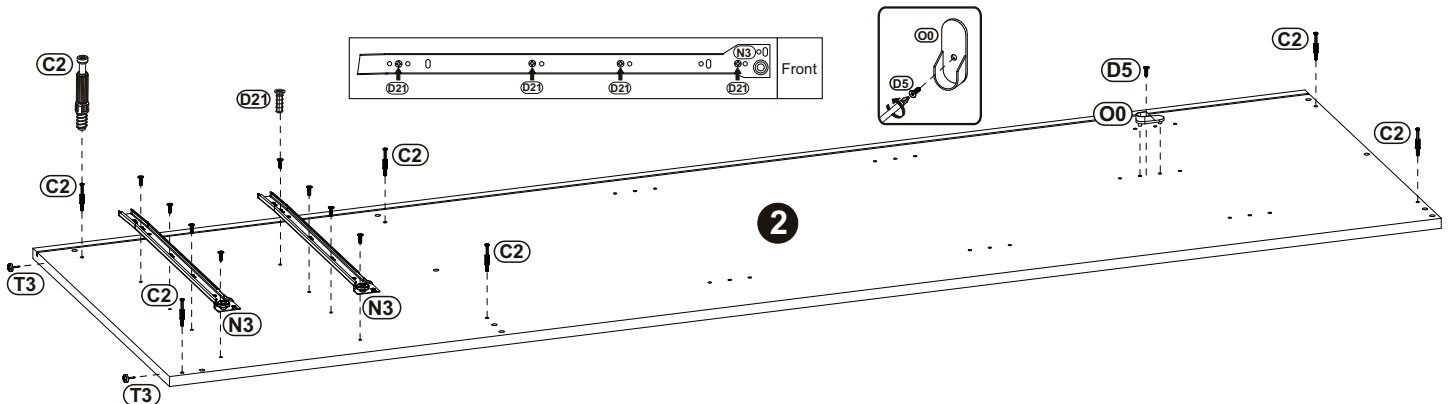
1

C2  x6	D5  3.5x16 mm x1	D21  5x13 mm x8
N3  L-450 mm x2	O0  x1	T3  x2



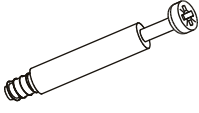

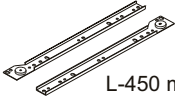
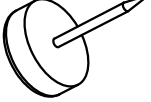


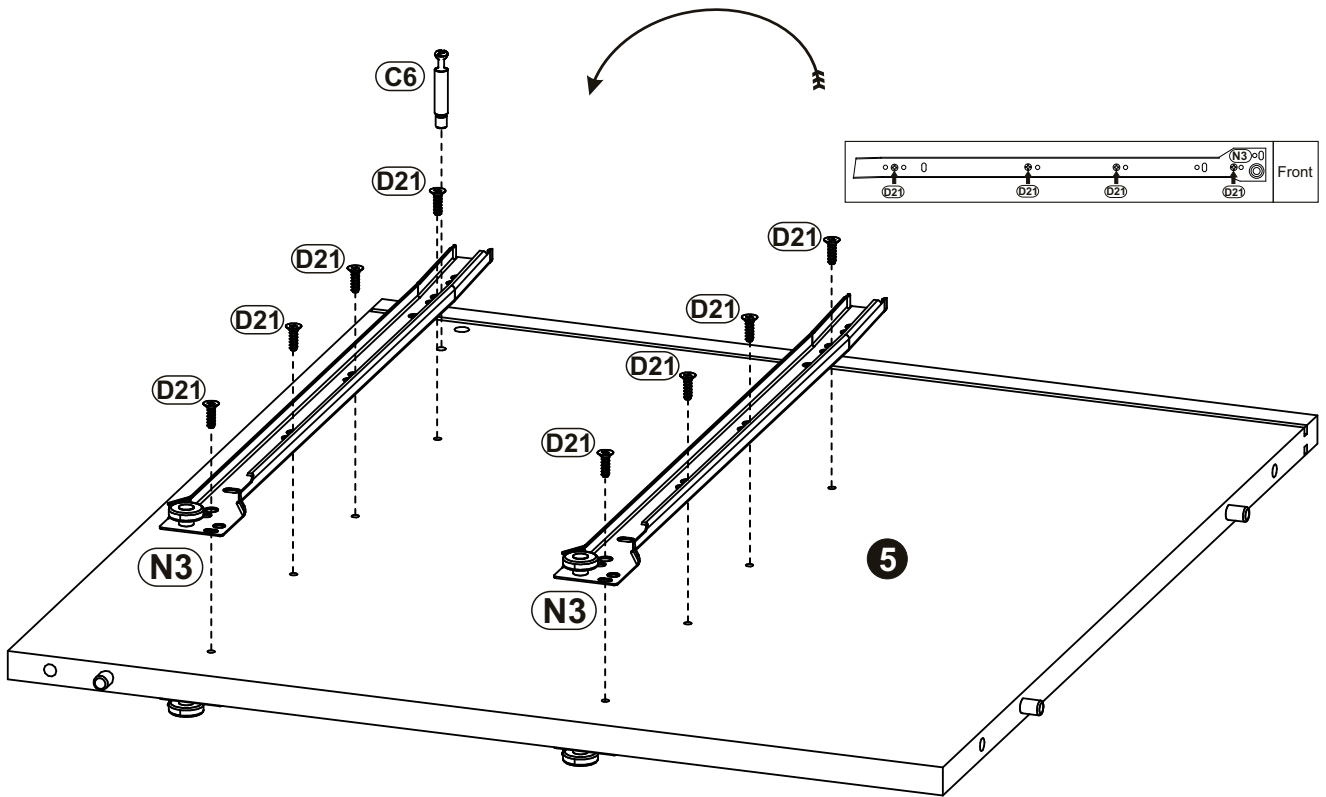
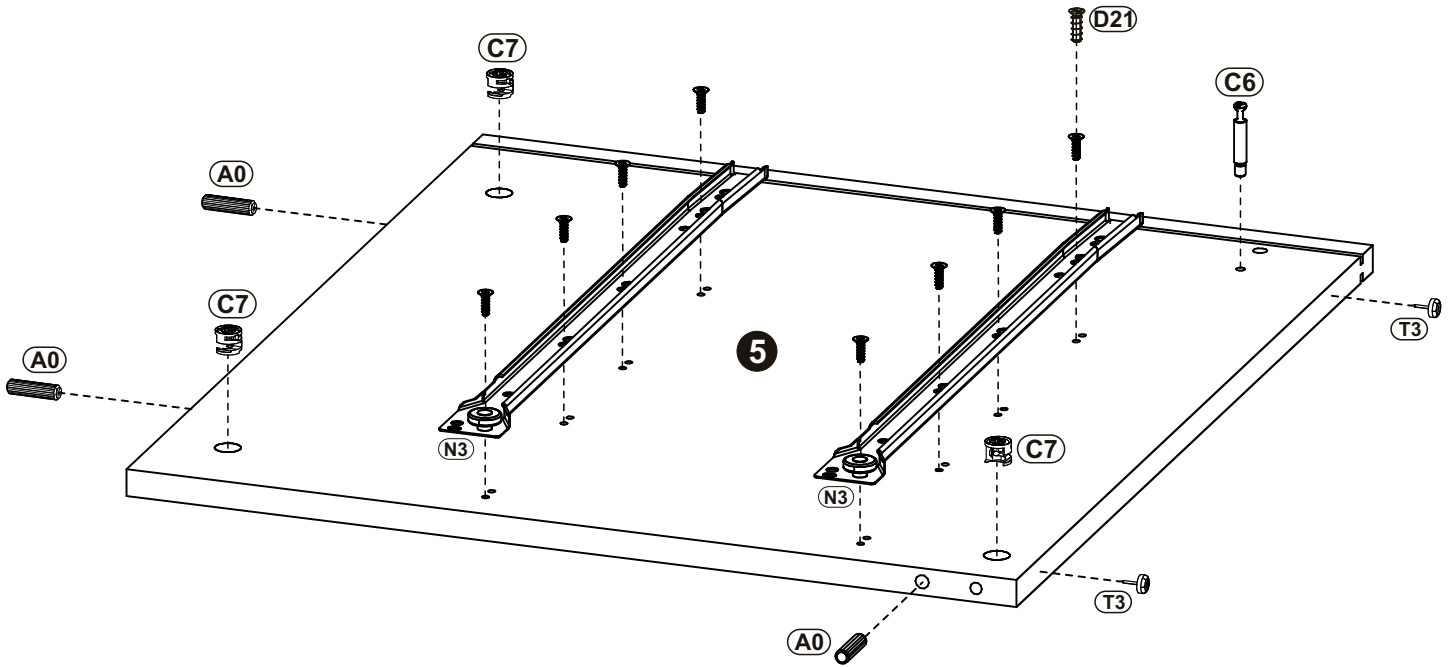
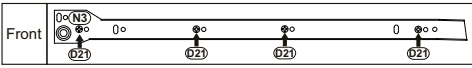
2

C2  x6	D5  3.5x16 mm x1	D21  5x13 mm x8
N3  L-450 mm x2	O0  x1	T3  x2

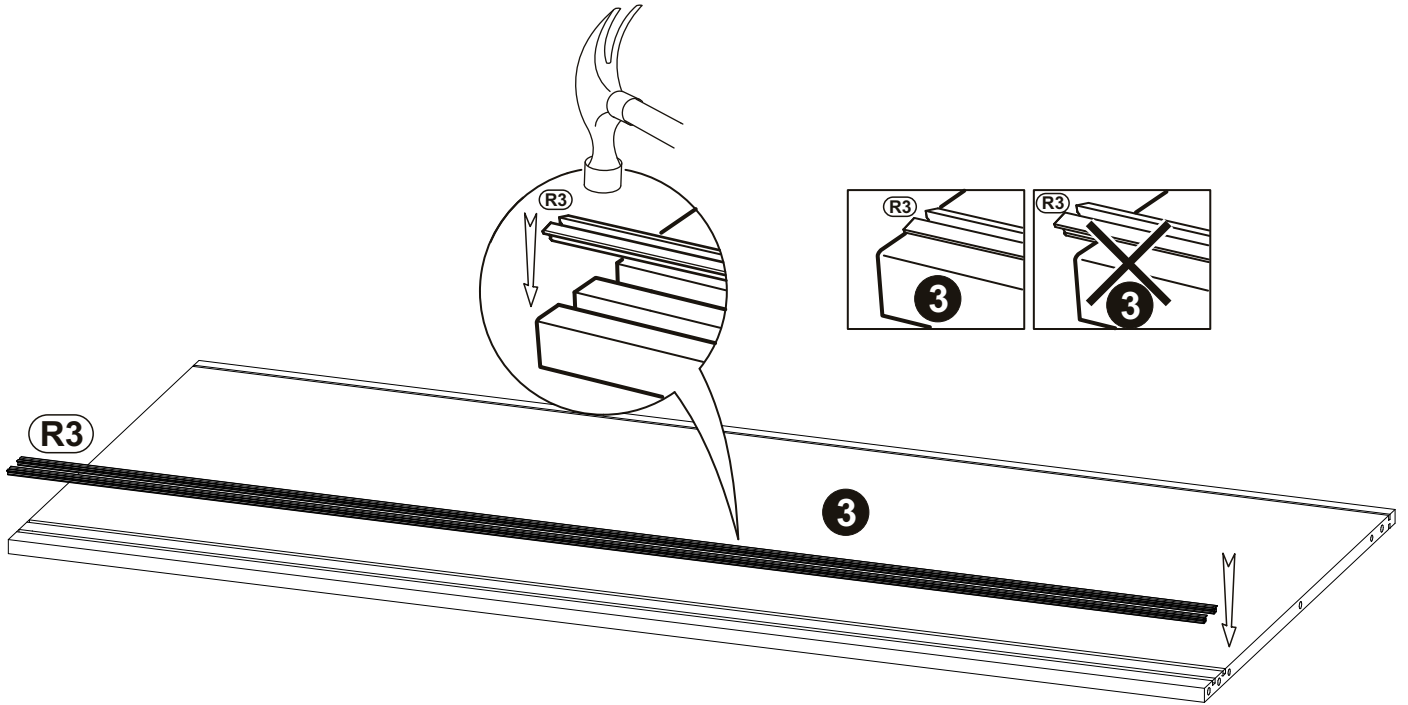
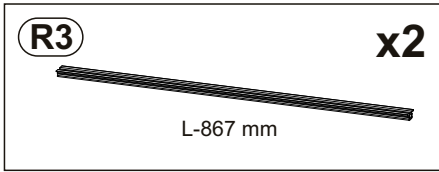


3

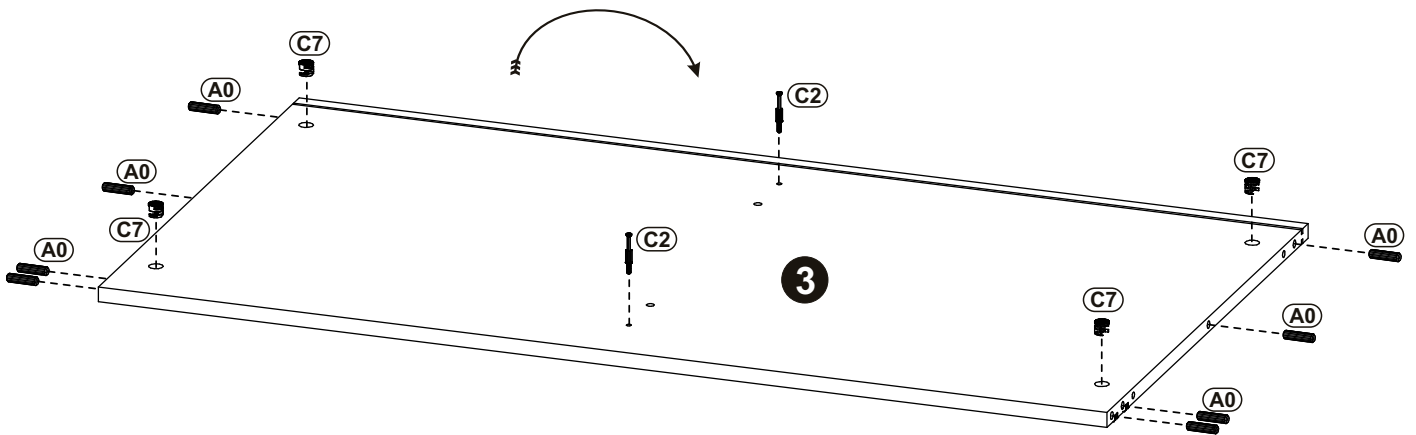
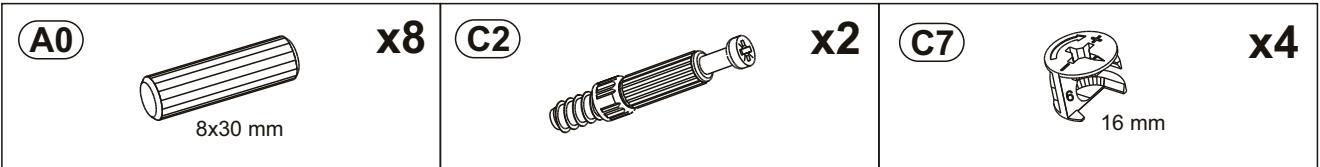
A0	 8x30 mm	x3	C7	 16 mm	x3	C6	 x2
D21	 5x13 mm	x16	N3	 L-450 mm	x2	T3	 x2



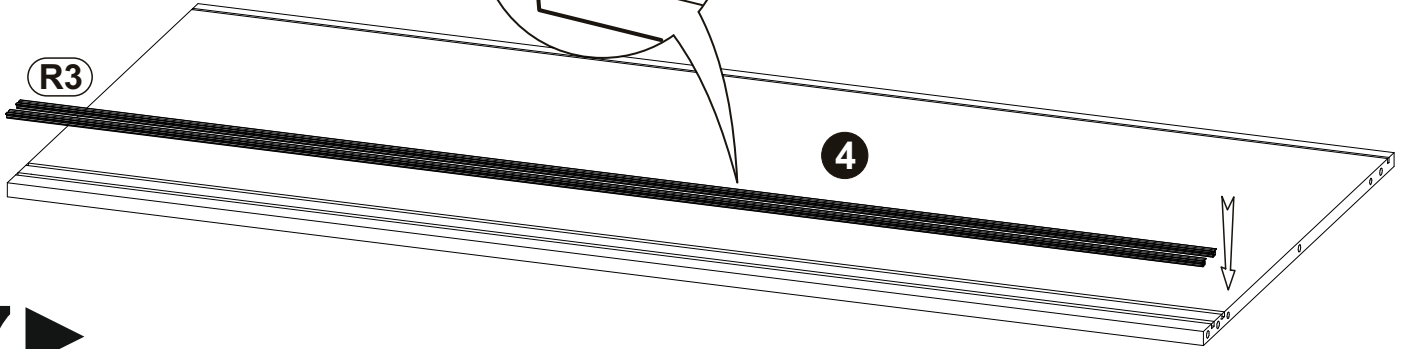
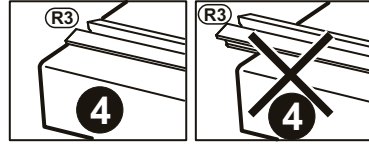
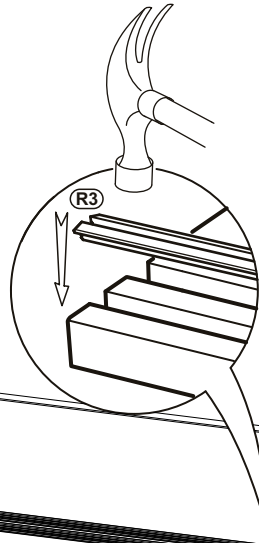
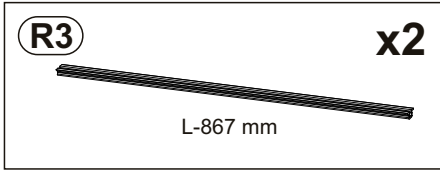
4 ▶



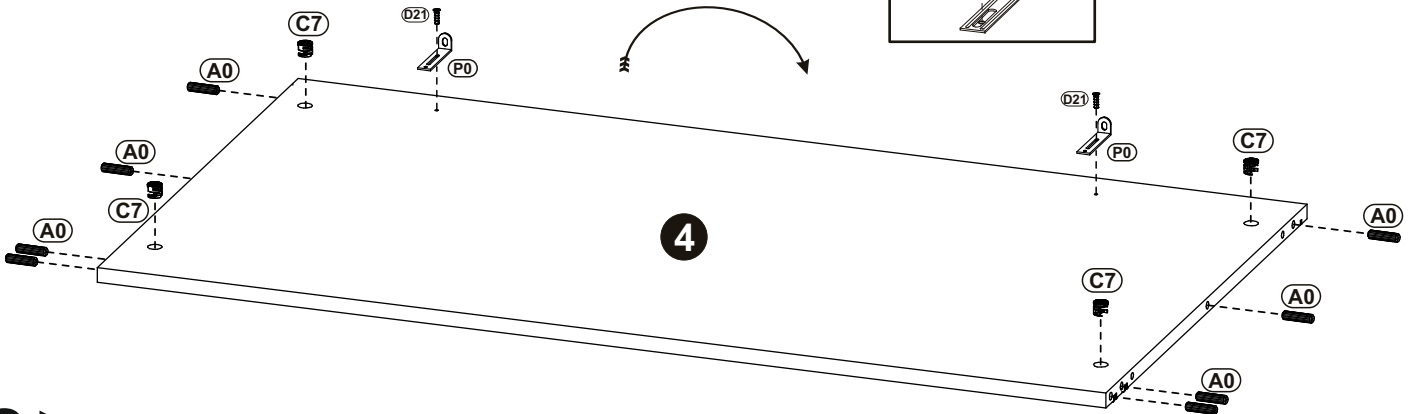
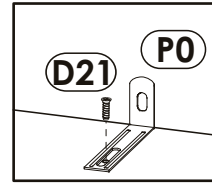
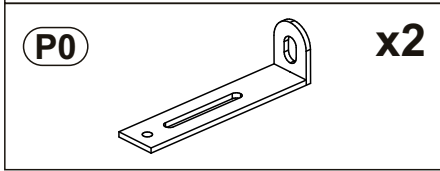
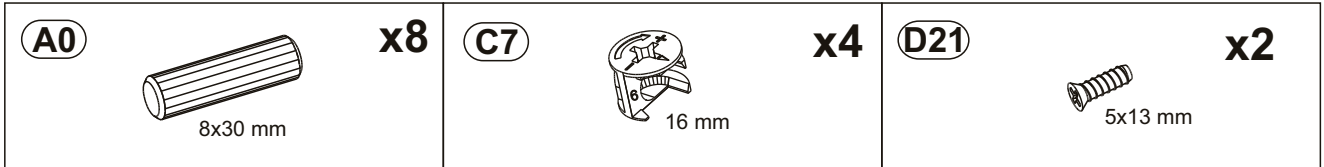
5 ▶



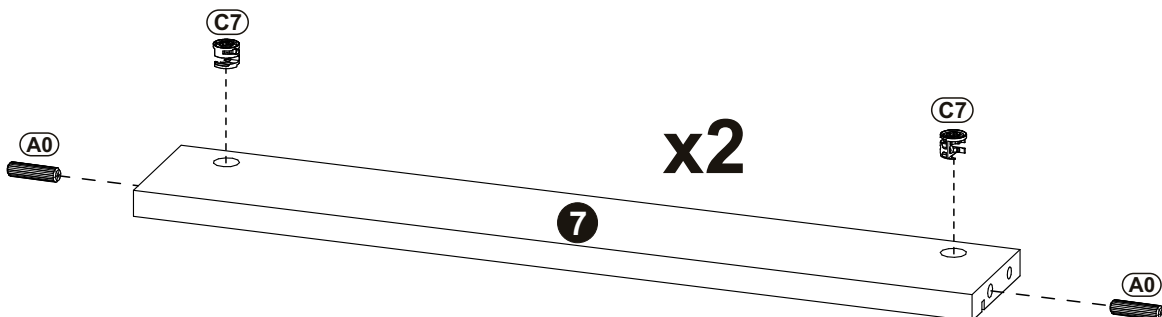
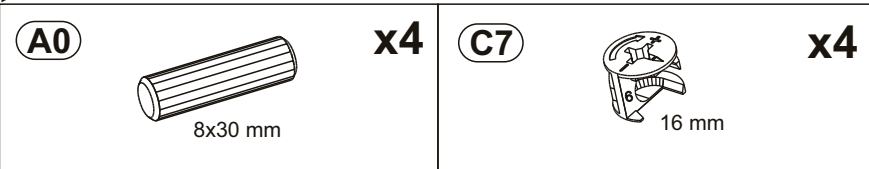
6




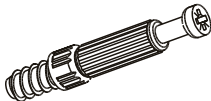

7

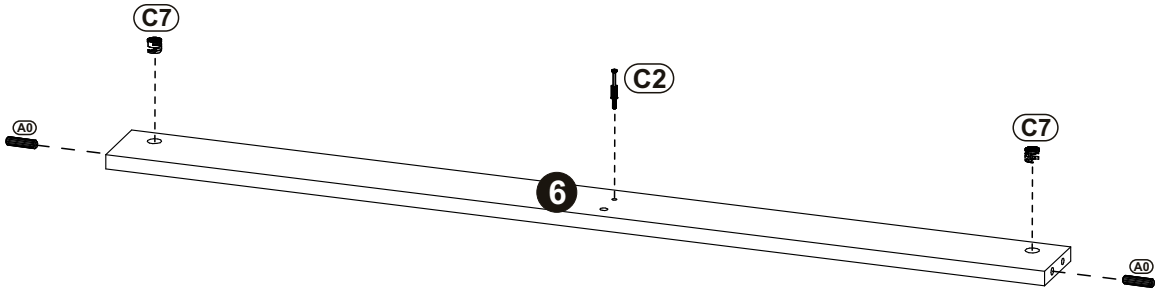


8

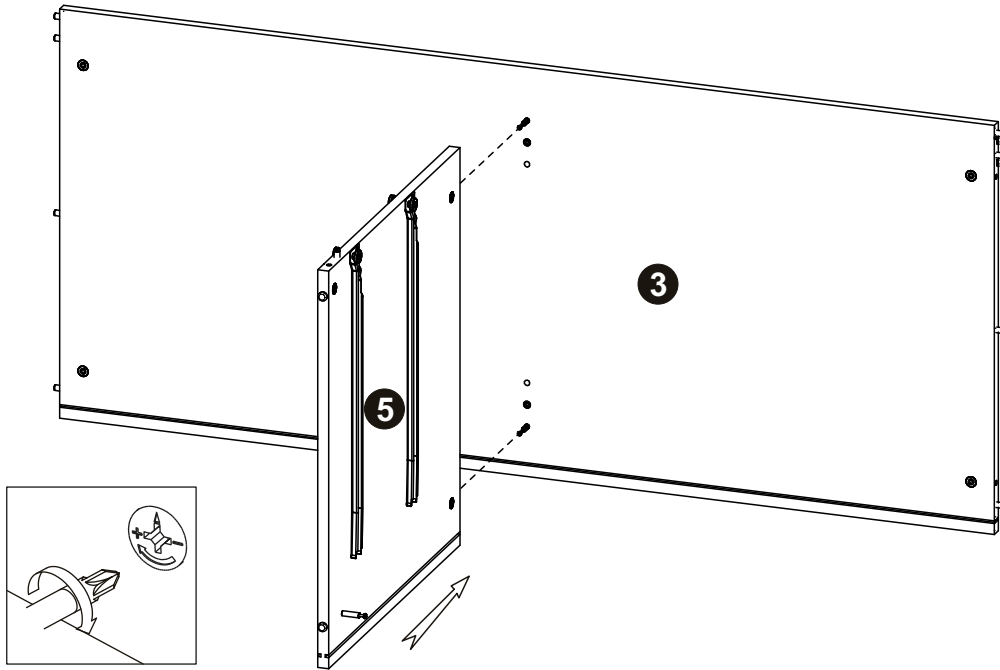


9 ▶

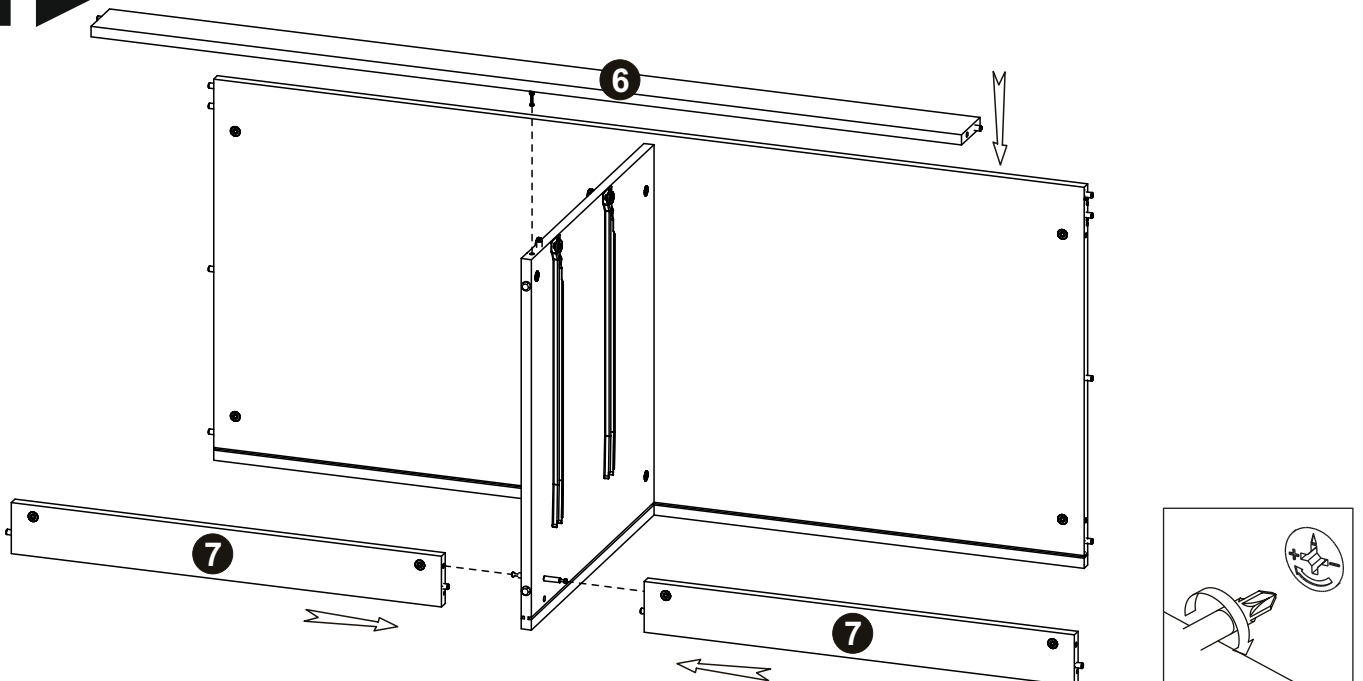
<p>A0</p>  <p>8x30 mm</p>	<p>x2</p>	<p>C2</p>  <p>x1</p>	<p>C7</p>  <p>16 mm</p>	<p>x2</p>
---	------------------	---	---	------------------



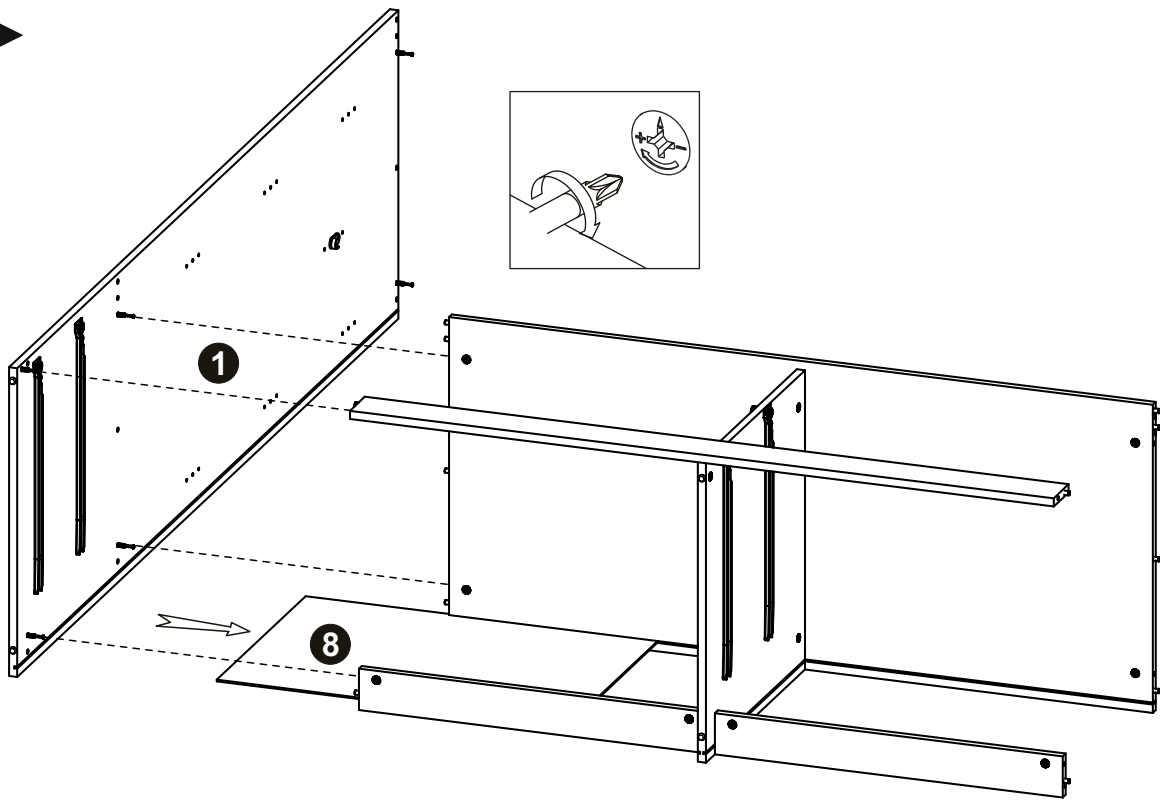
10 ▶



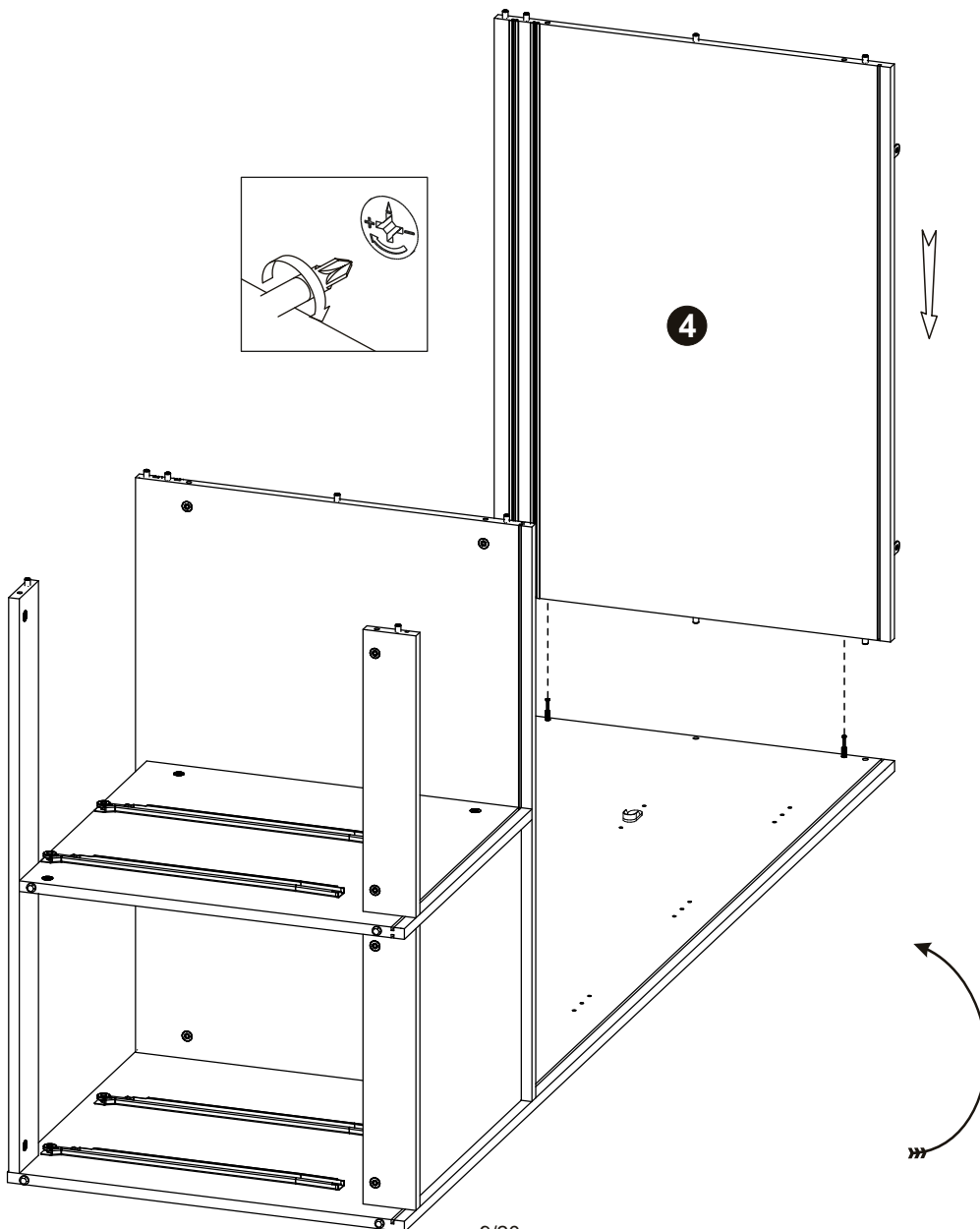
11 ▶



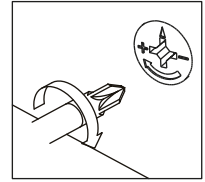
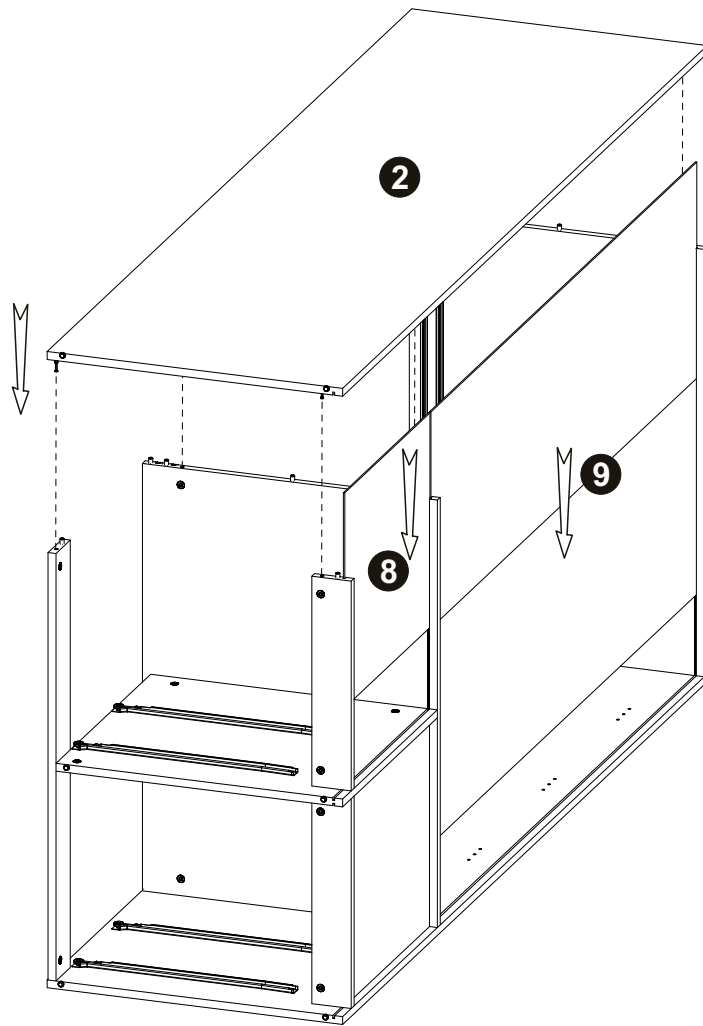
12 ▶



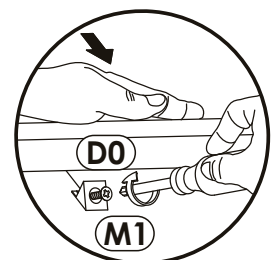
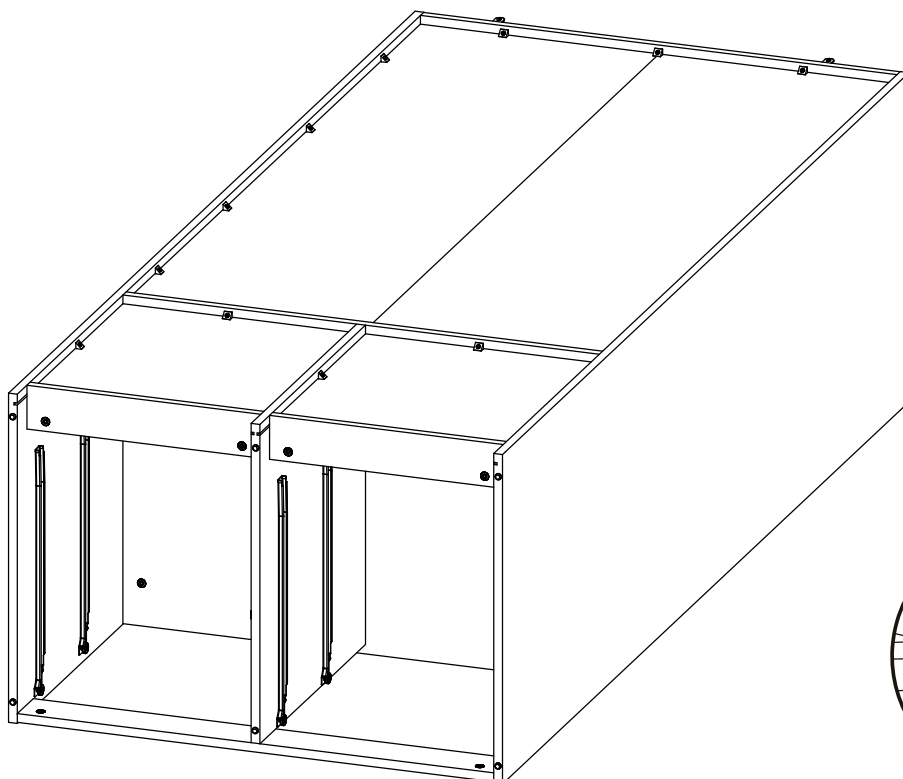
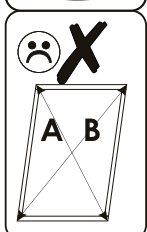
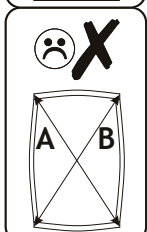
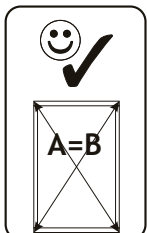
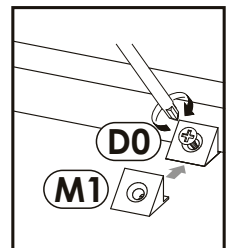
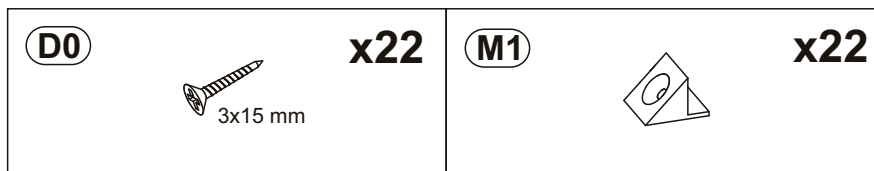
13 ▶



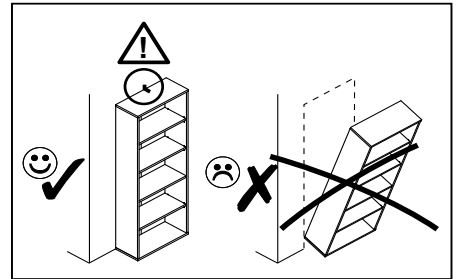
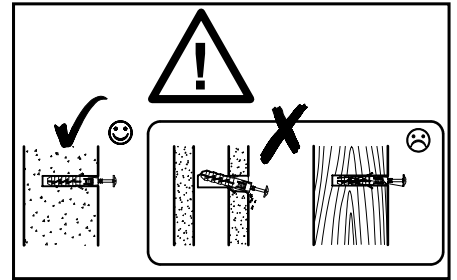
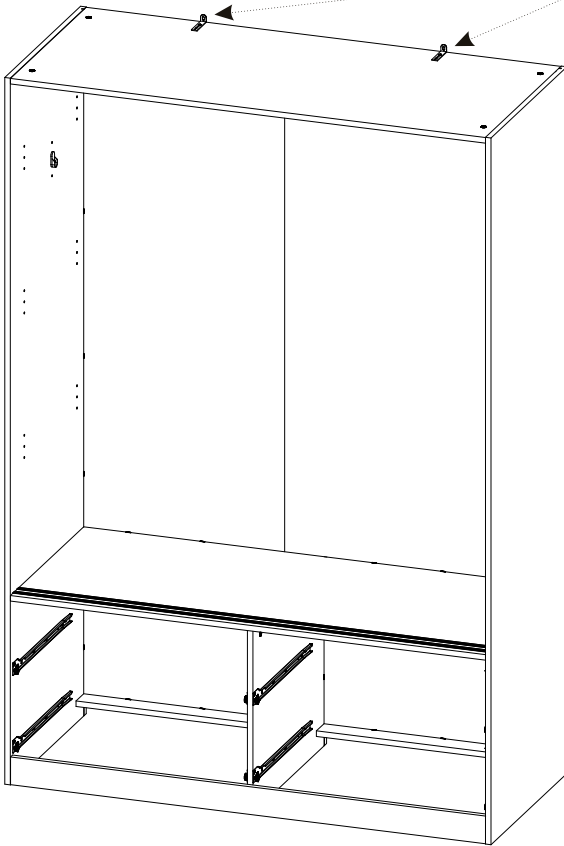
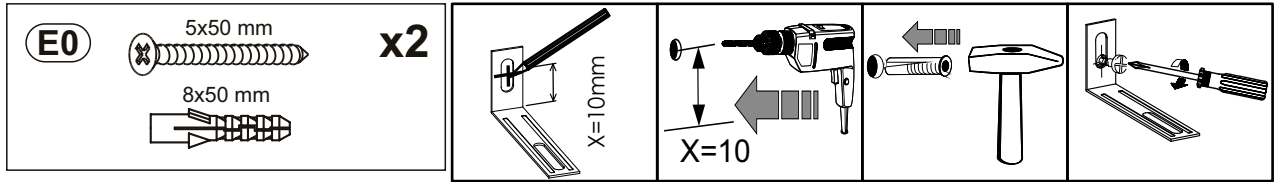
14 ▶



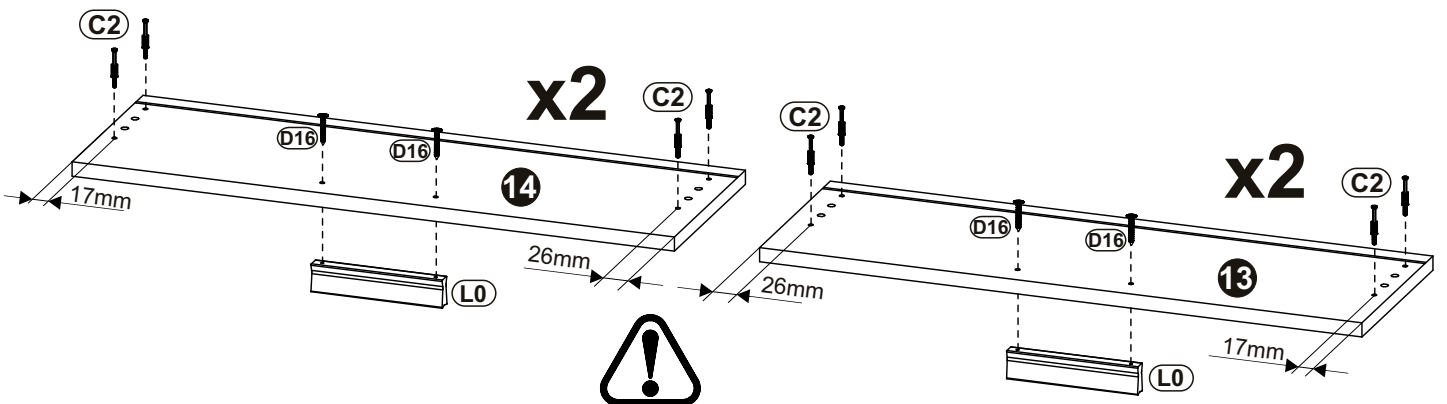
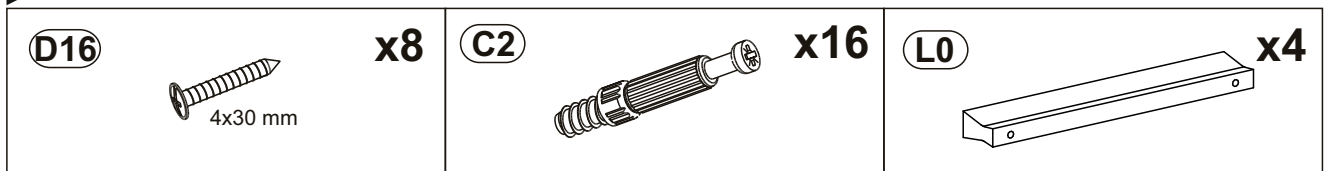
15 ▶



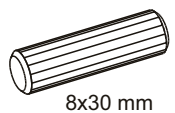

16 ▶

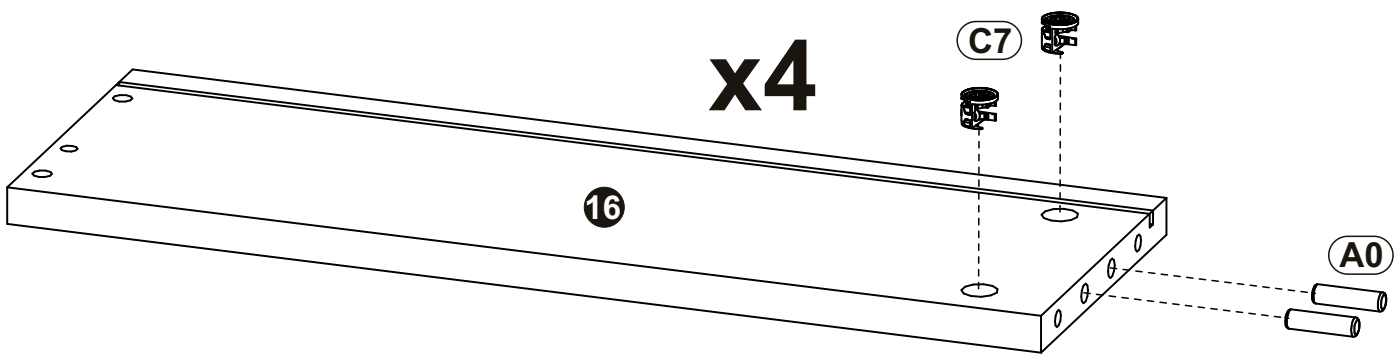


17 ▶

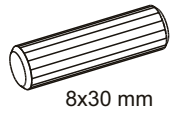



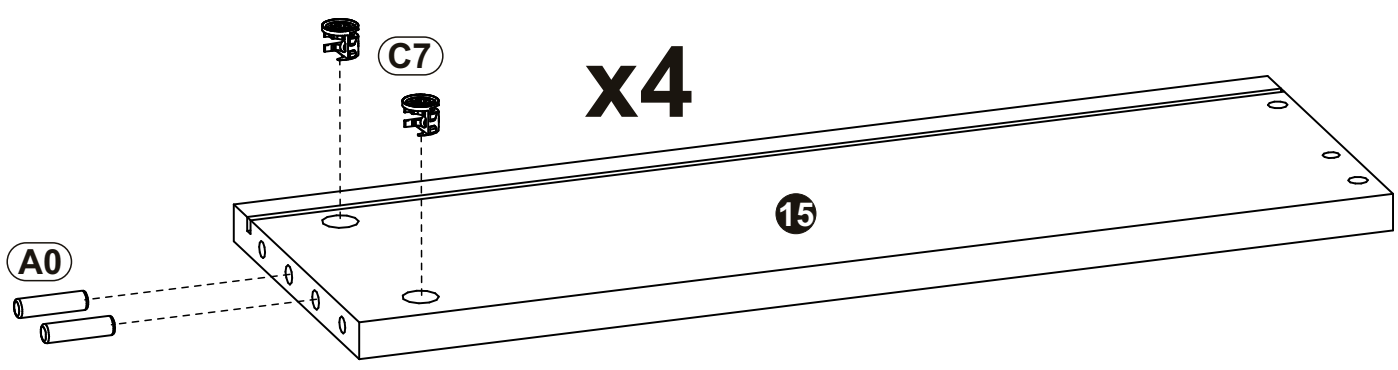
18 ▶

A0	 8x30 mm	x8	C7	 16 mm	x8
-----------	--	-----------	-----------	--	-----------

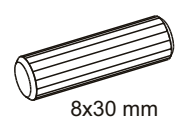


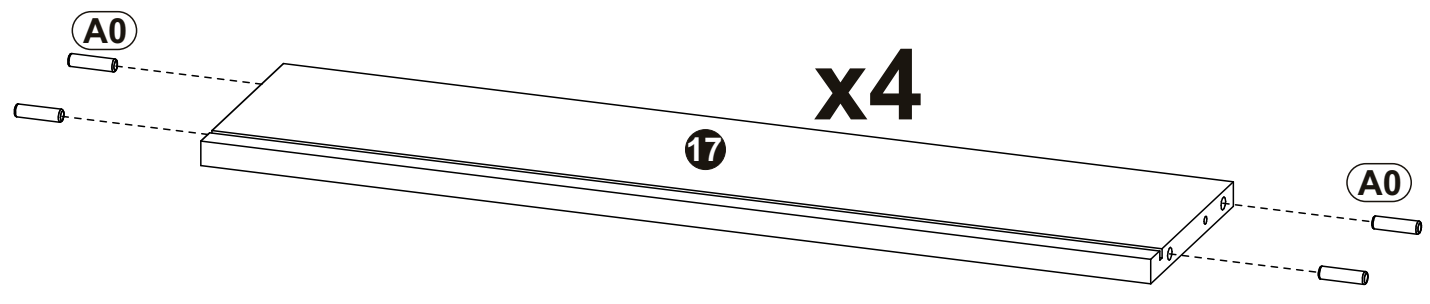
19 ▶

A0	 8x30 mm	x8	C7	 16 mm	x8
-----------	--	-----------	-----------	--	-----------

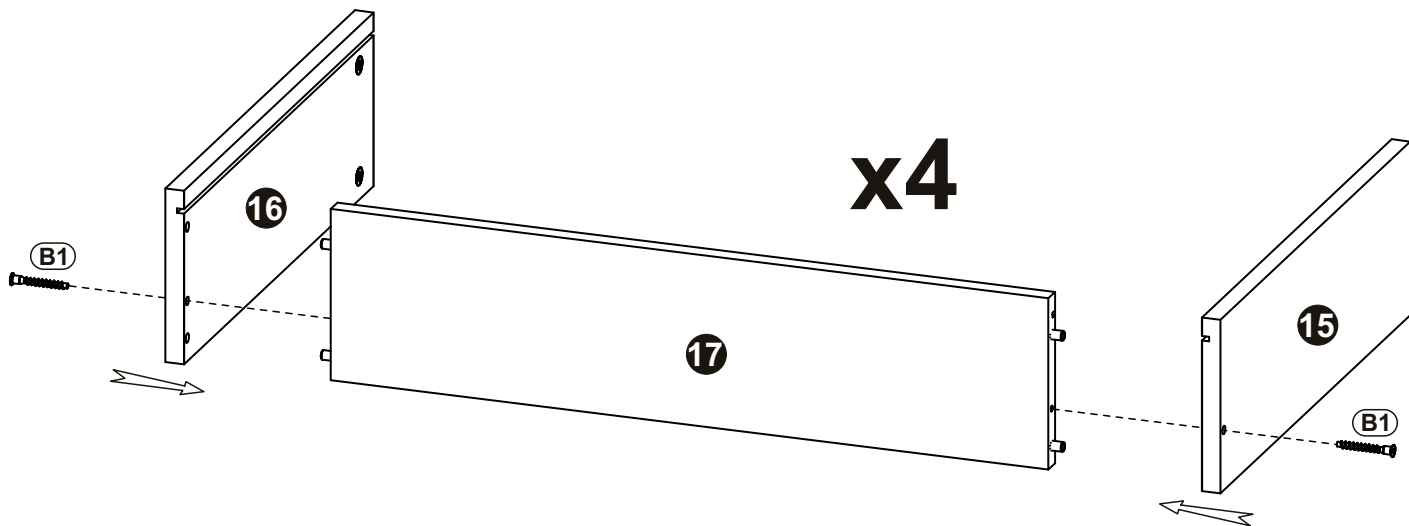
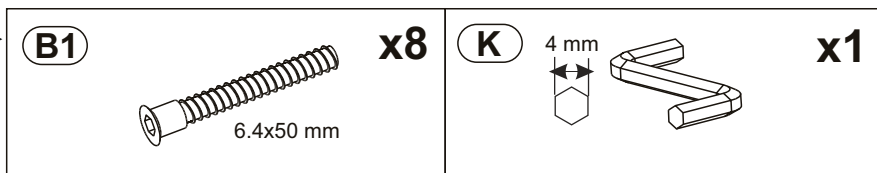


20 ▶

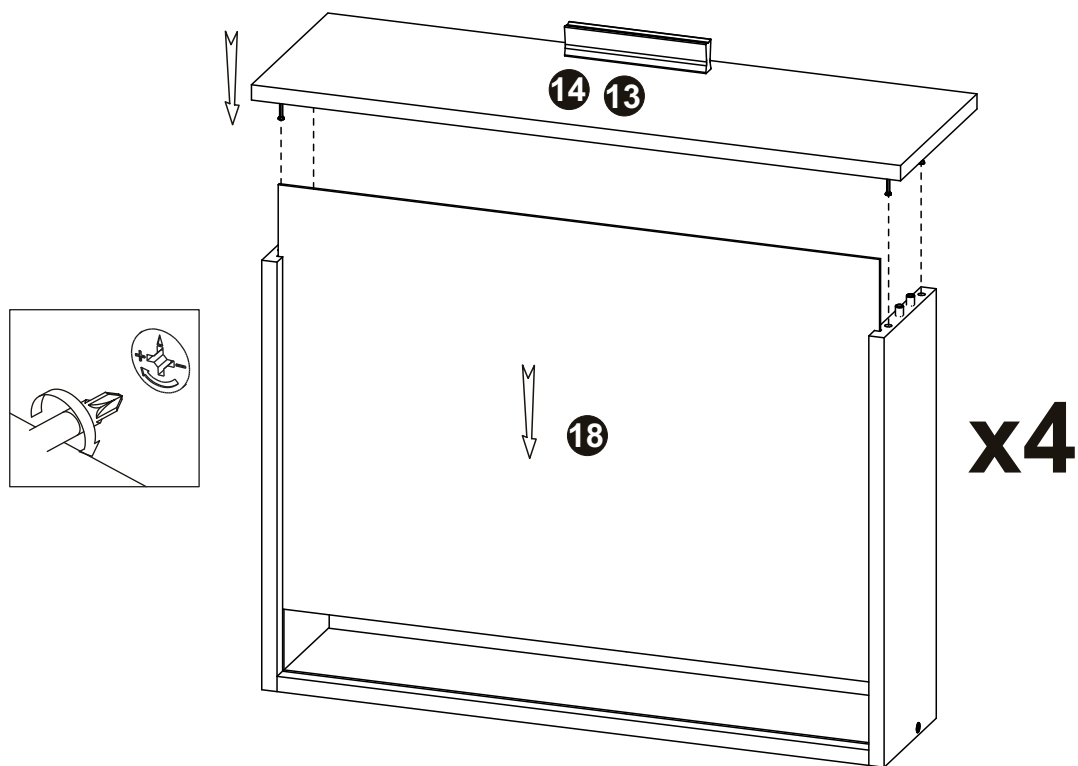
A0	 8x30 mm	x16
-----------	--	------------



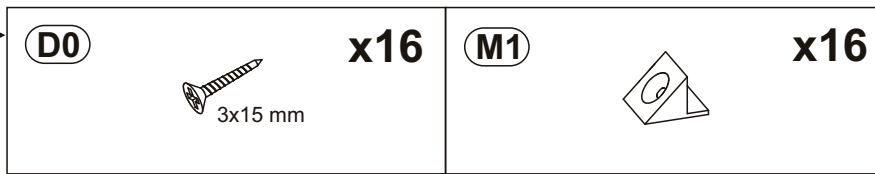
21 ▶



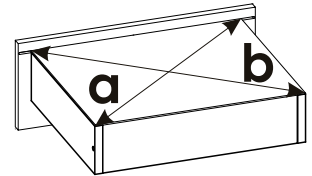
22 ▶



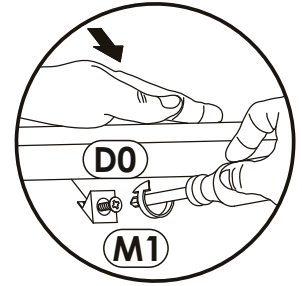
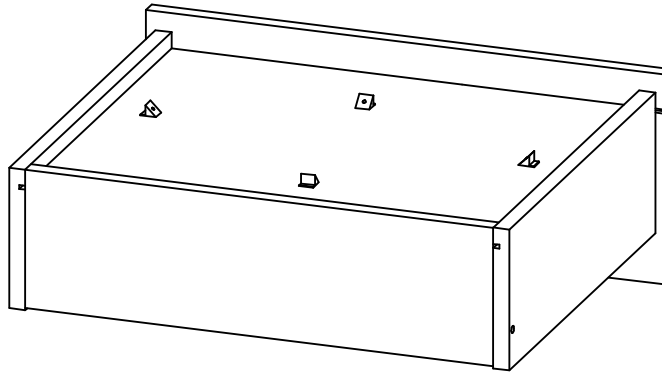
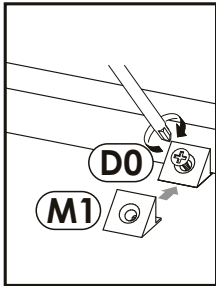
23 ▶



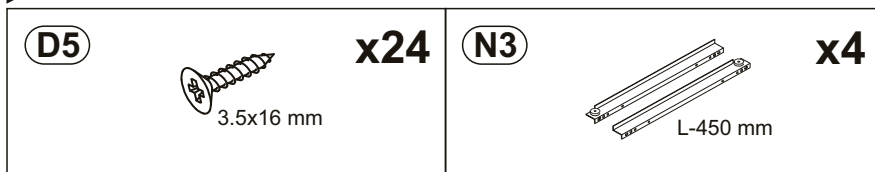
a=b



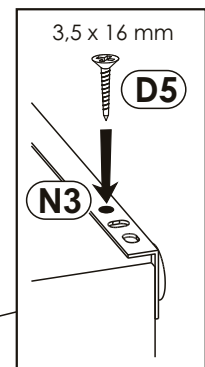
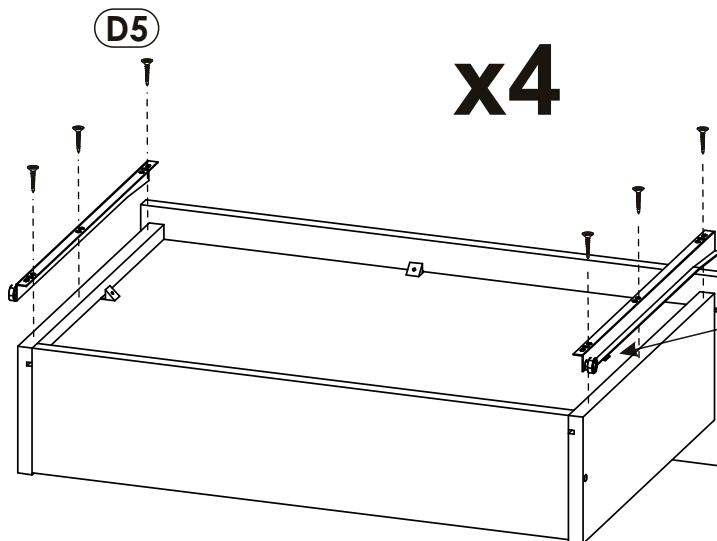
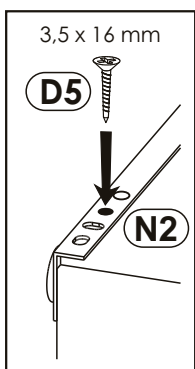
x4



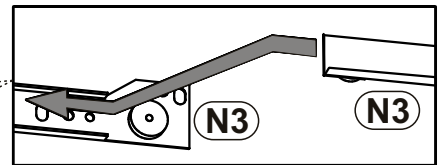
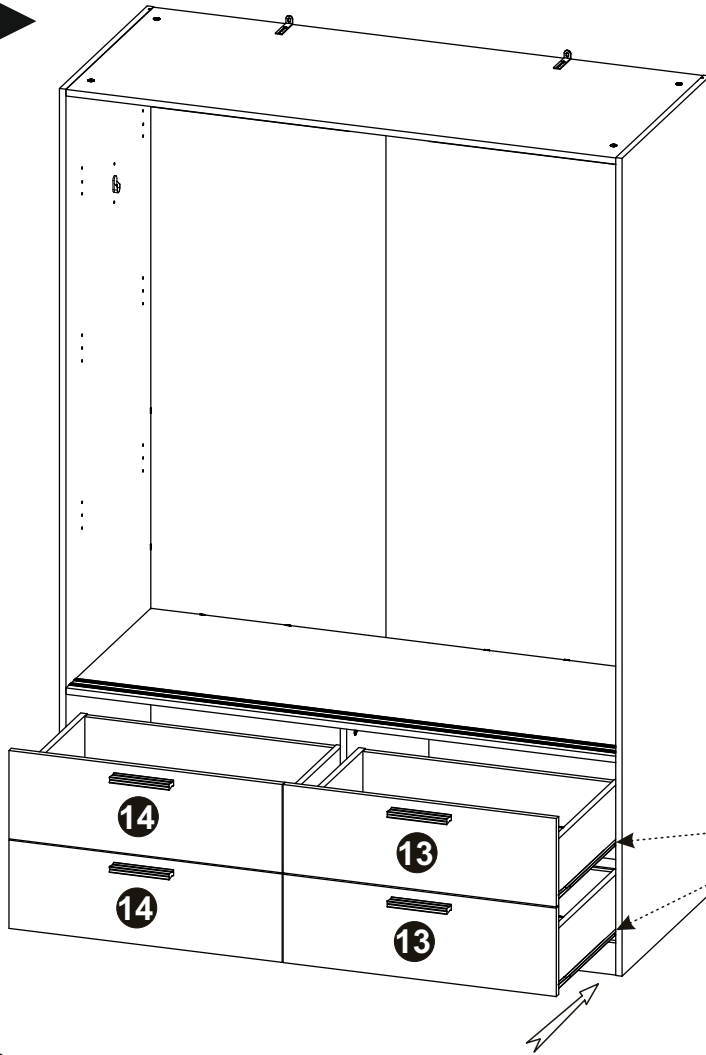
24 ▶





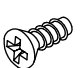
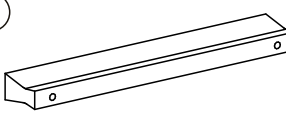
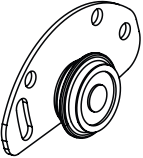
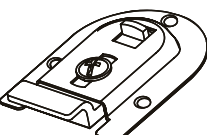
x4

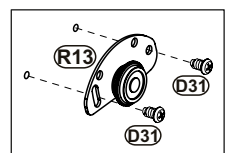
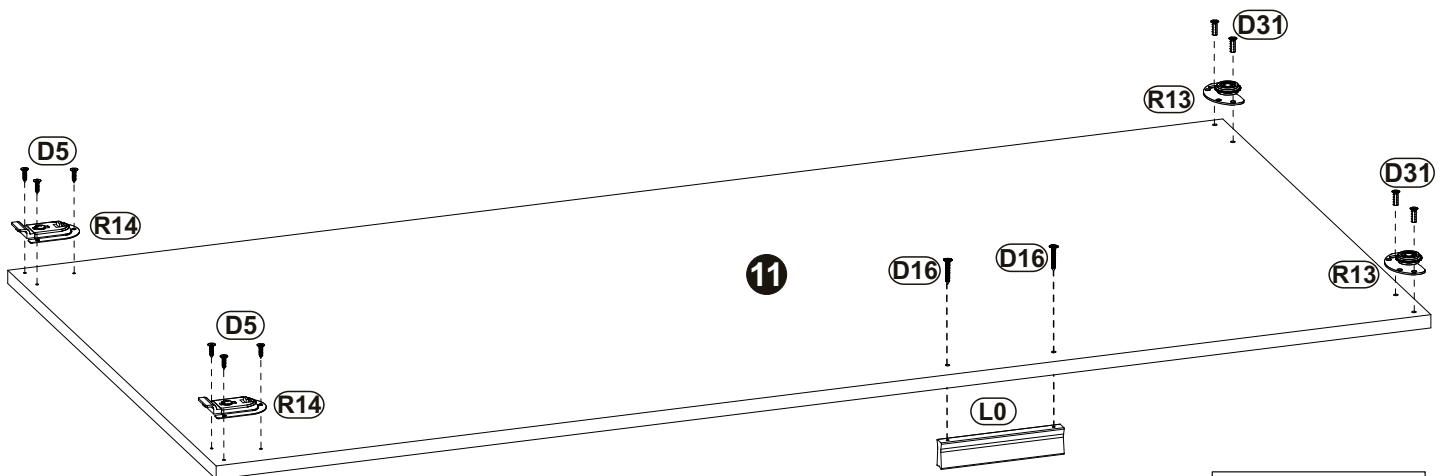


25 ▶

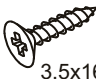
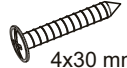

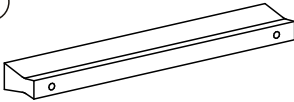
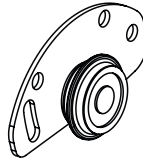
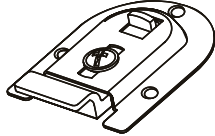


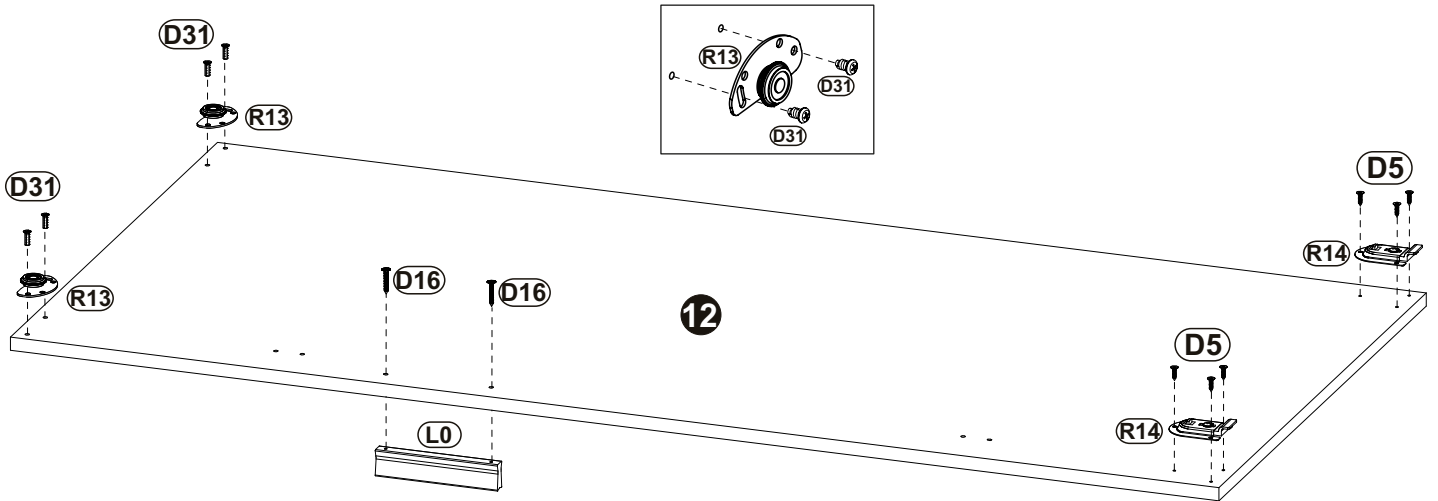
26 ▶

<p>(D5)</p>  <p>3.5x16 mm</p> <p>x6</p>	<p>(D16)</p>  <p>4x30 mm</p> <p>x2</p>	<p>(D31)</p>  <p>6,3x13 mm</p> <p>x4</p>
<p>(L0)</p>  <p>x1</p>	<p>(R13)</p>  <p>x2</p>	<p>(R14)</p>  <p>x2</p>

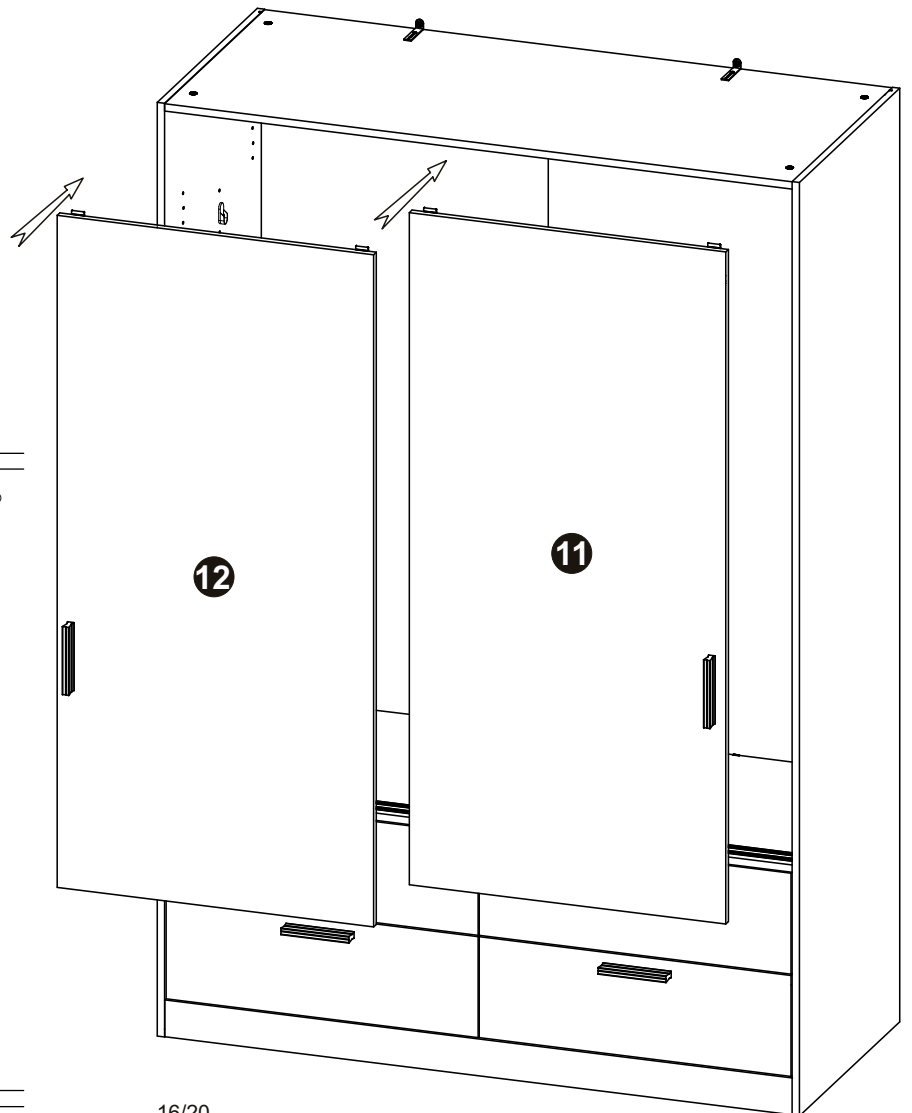
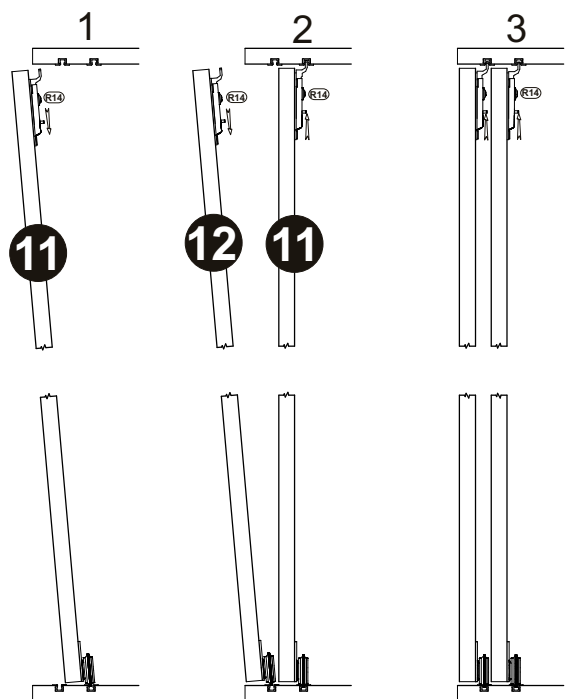
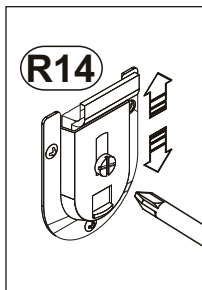


27 ▶


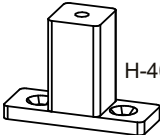

<p>(D5)  x6 3.5x16 mm</p>	<p>(D16)  x2 4x30 mm</p>	<p>(D31)  x4 6,3x13 mm</p>
<p>(L0)  x1</p>	<p>(R13)  x2</p>	<p>(R14)  x2</p>

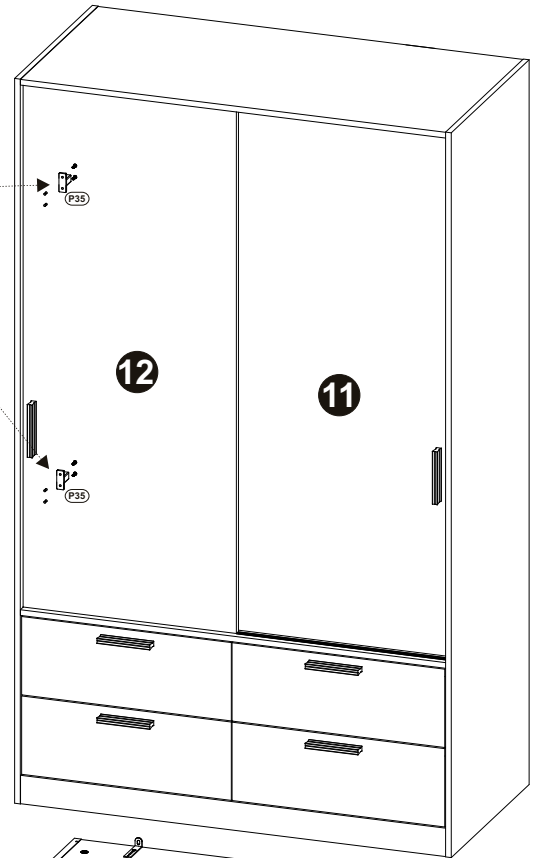
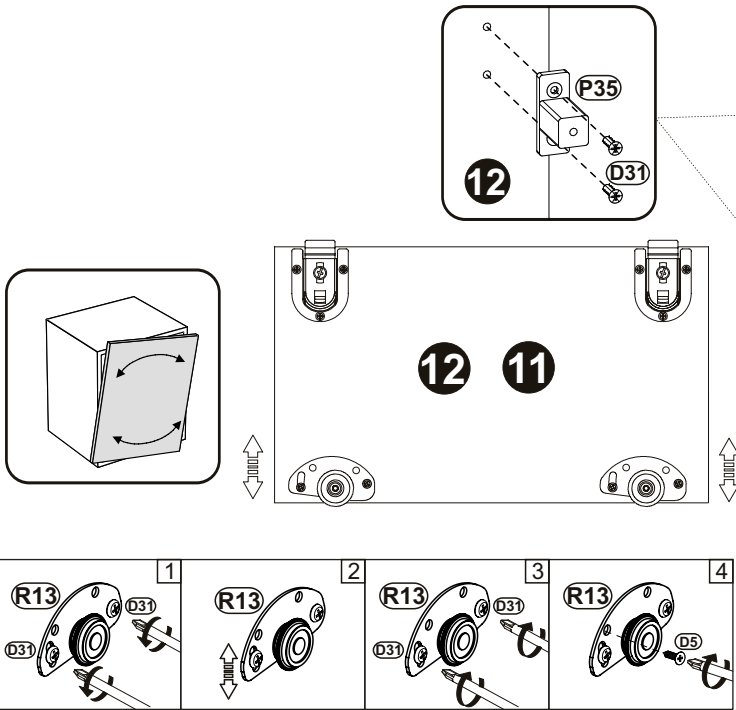


28 ▶


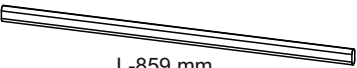


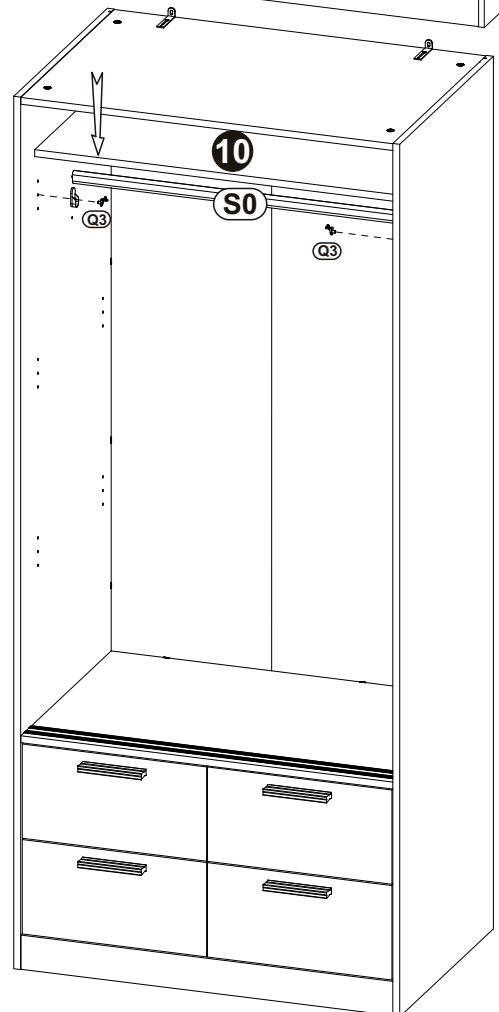
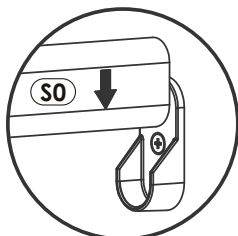
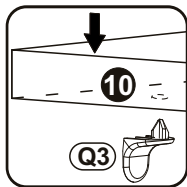
29

<p>D5</p>  <p>3.5x16 mm</p> <p>x4</p>	<p>P35</p>  <p>H-40 mm</p> <p>x2</p>	<p>D31</p>  <p>6,3x13 mm</p> <p>x4</p>
--	---	---

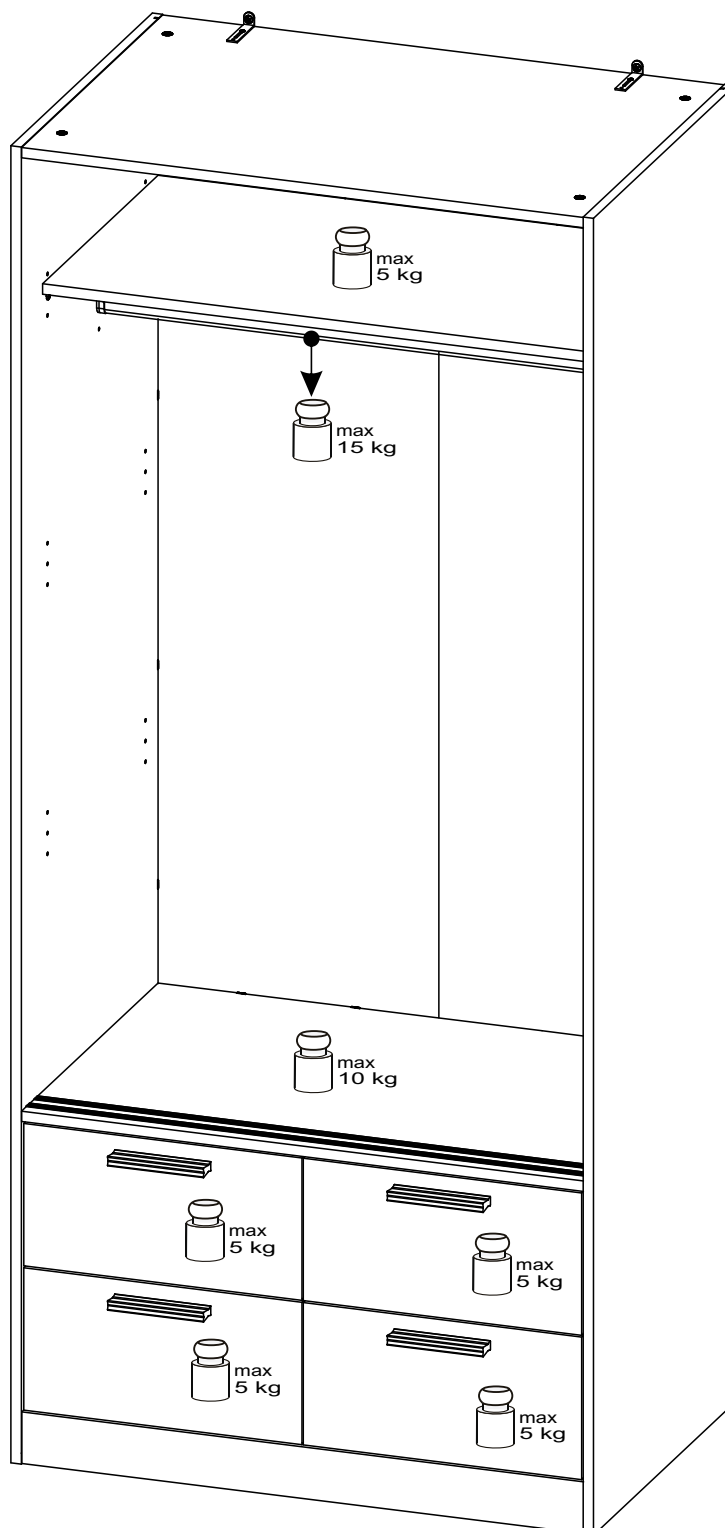
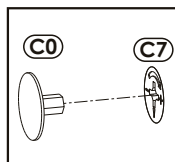
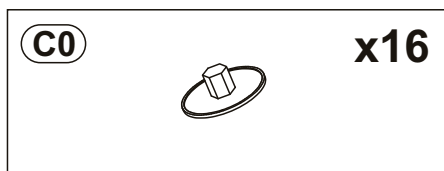


30

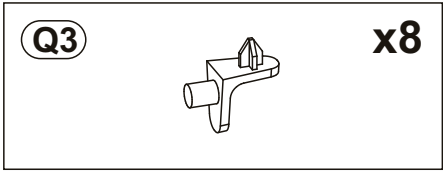
<p>Q3</p>  <p>x4</p>	<p>S0</p>  <p>L-859 mm</p> <p>x1</p>
---	---



31 ▶



1 ▶



Option

1	868	490	16	x2	1/1
---	-----	-----	----	----	-----

