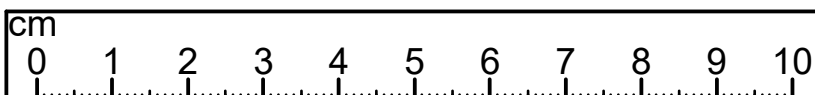
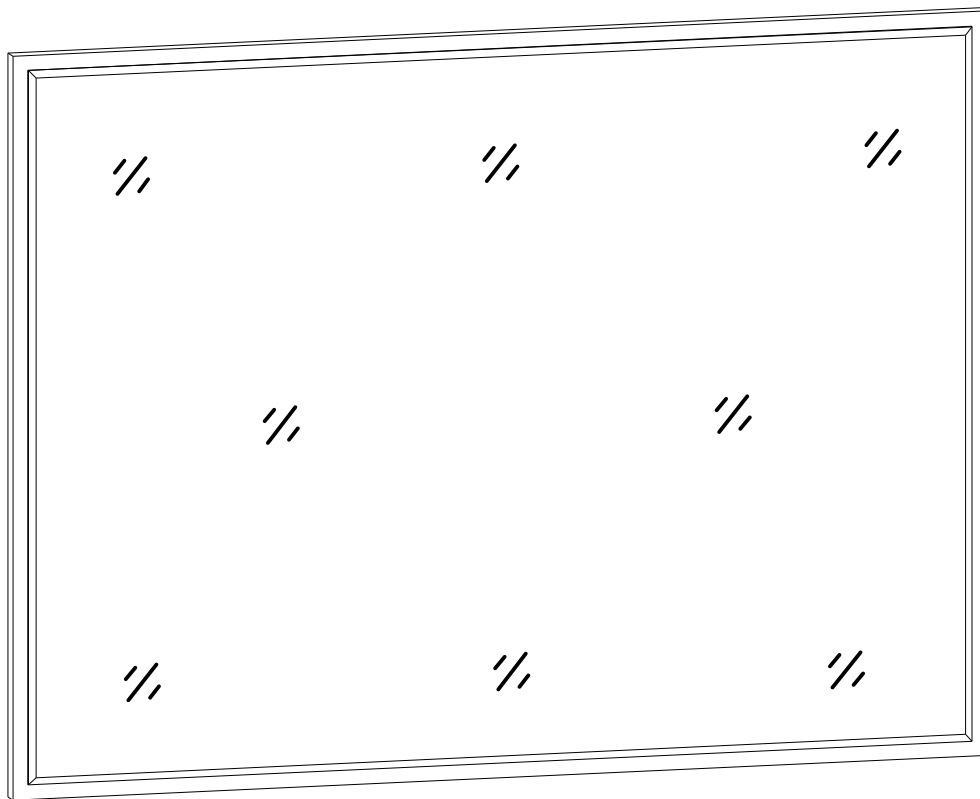
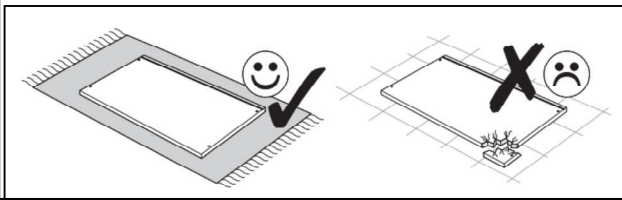
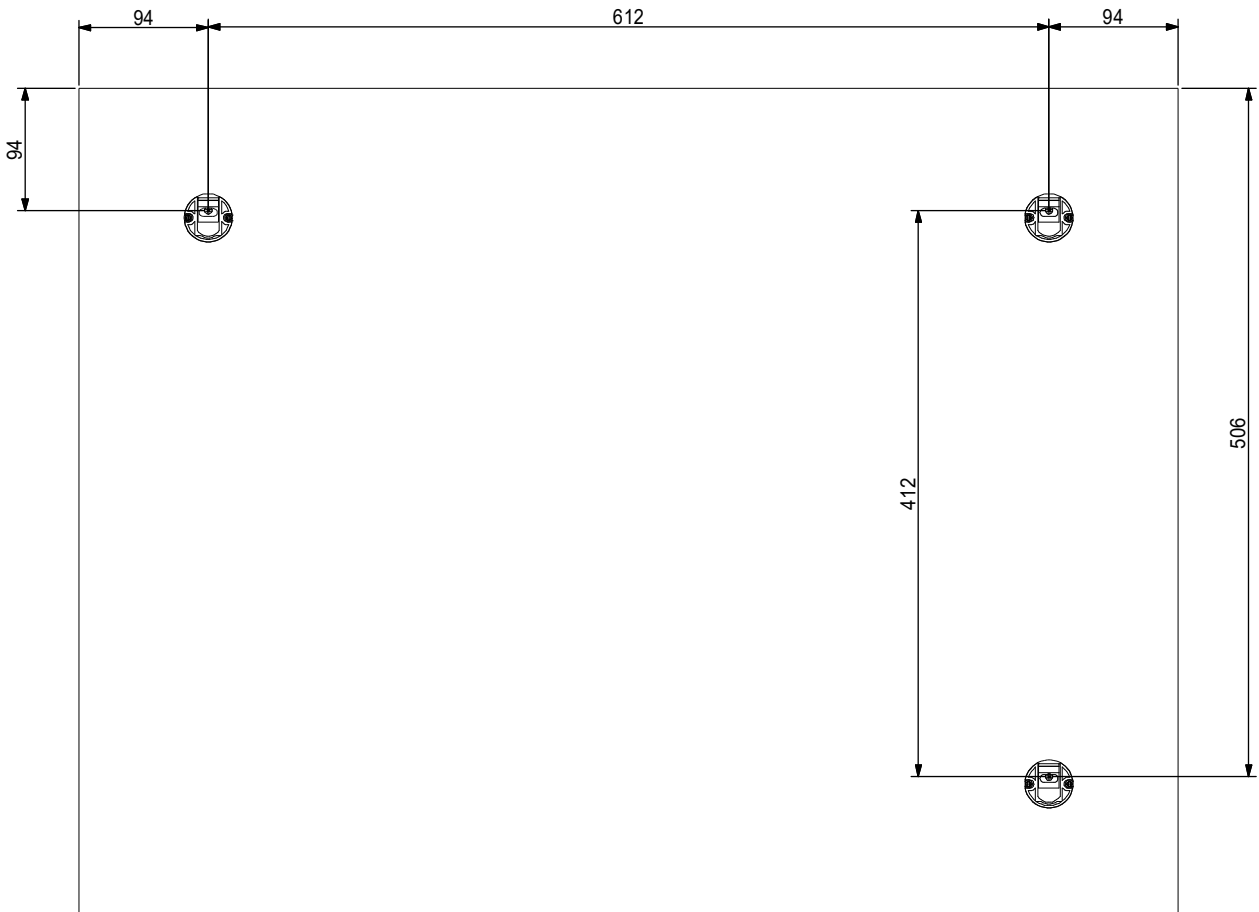
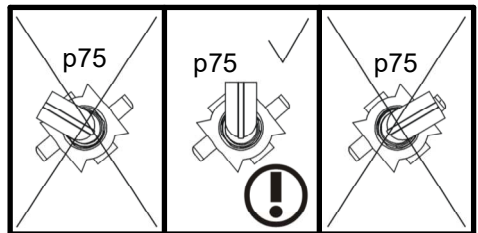
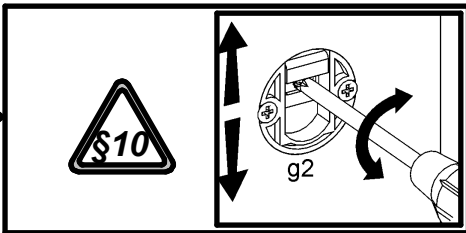
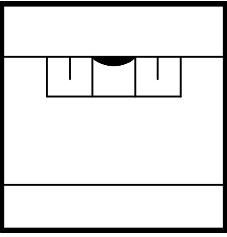
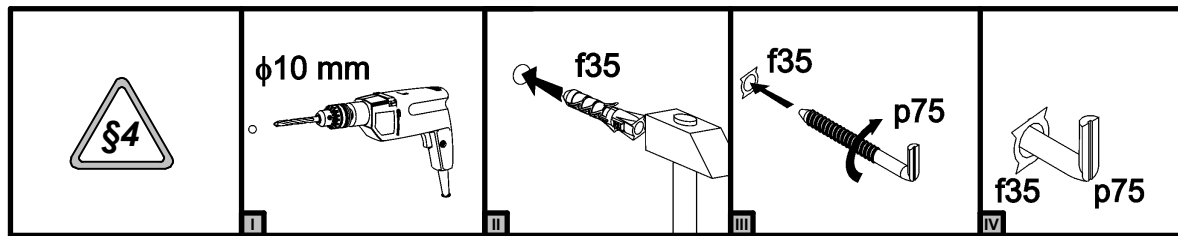


A	B1	B2	C1	C2	C3	C4	D
1	M278-4301	-	800	600	19	1	1/1

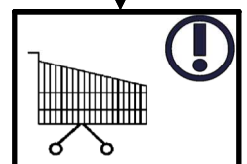
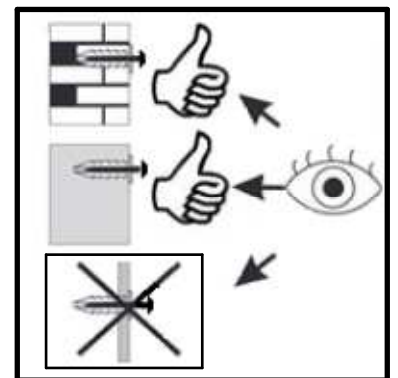
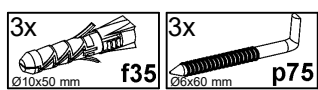
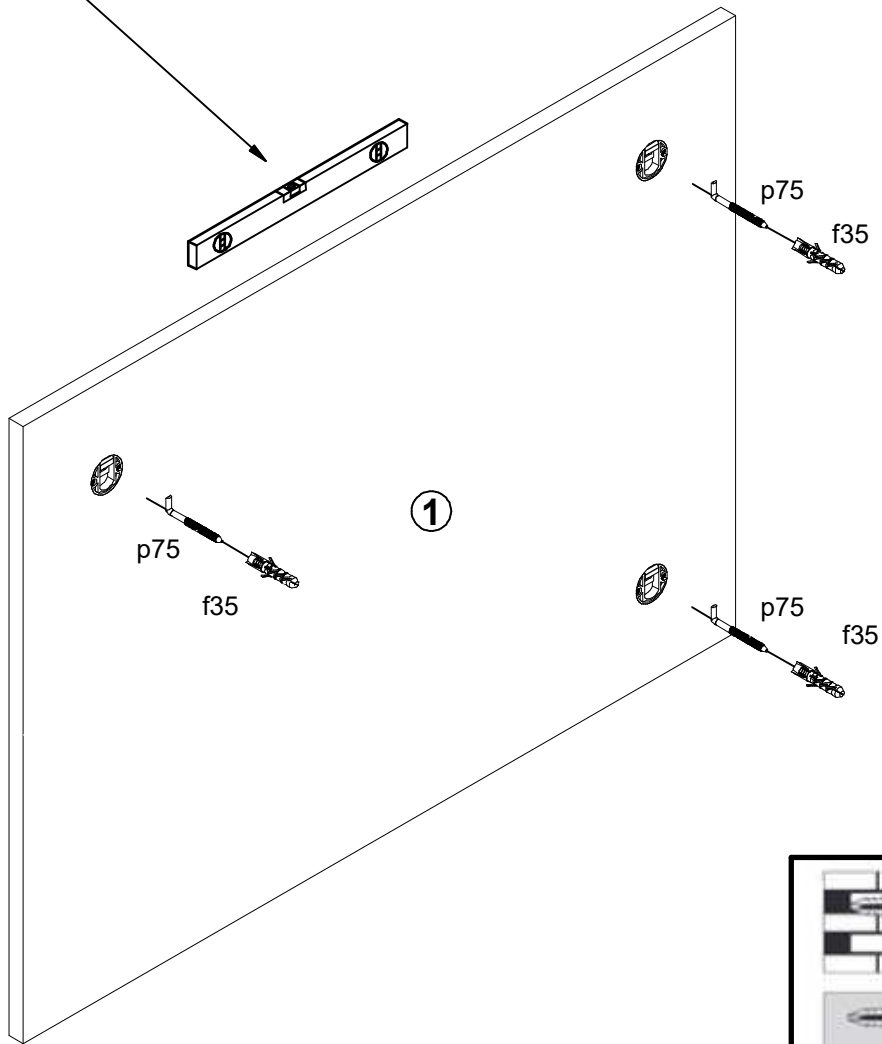


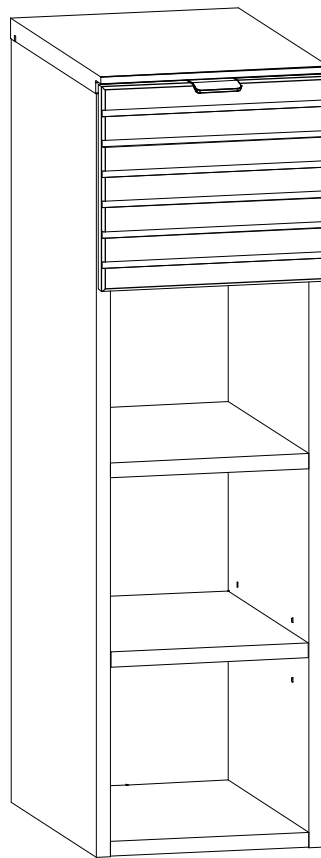
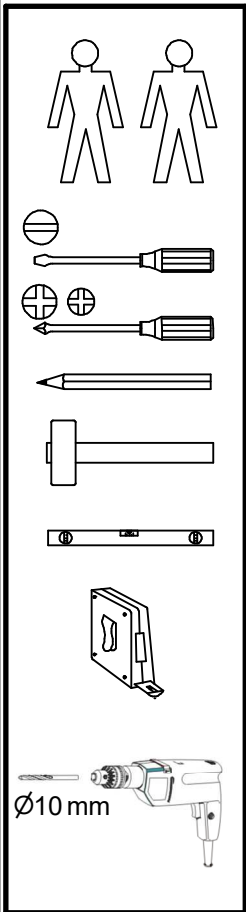
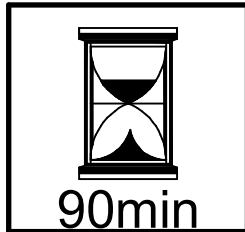
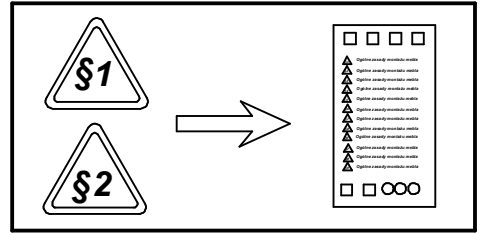
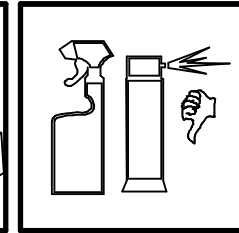
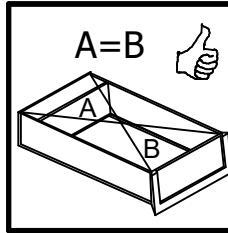
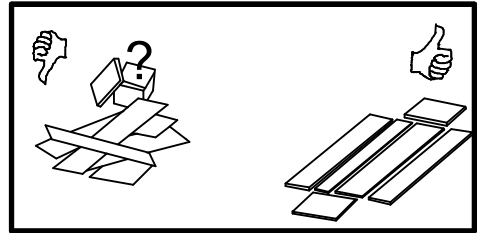
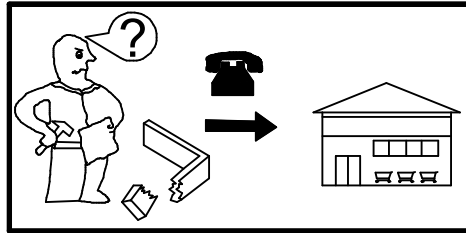
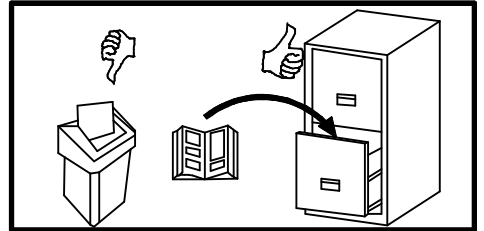
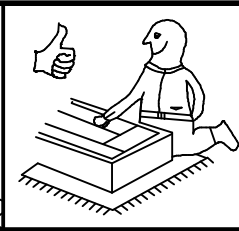
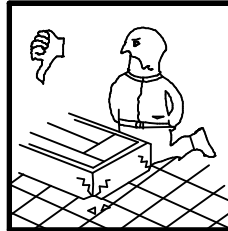
1 ▶





2 ▶

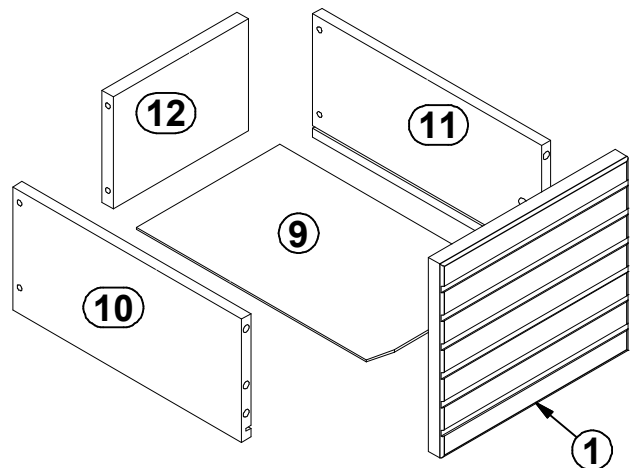
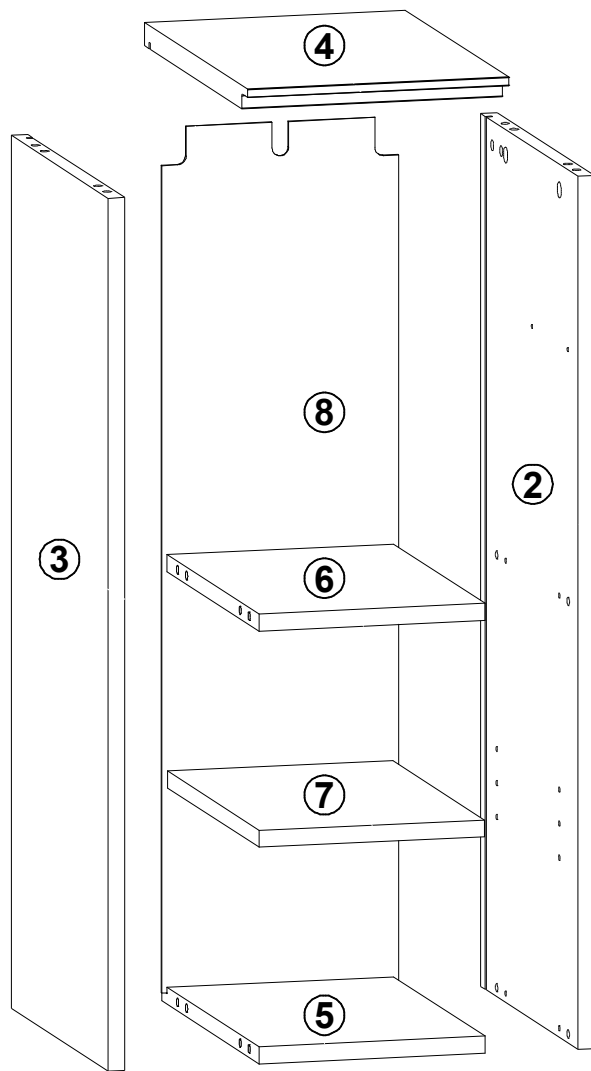


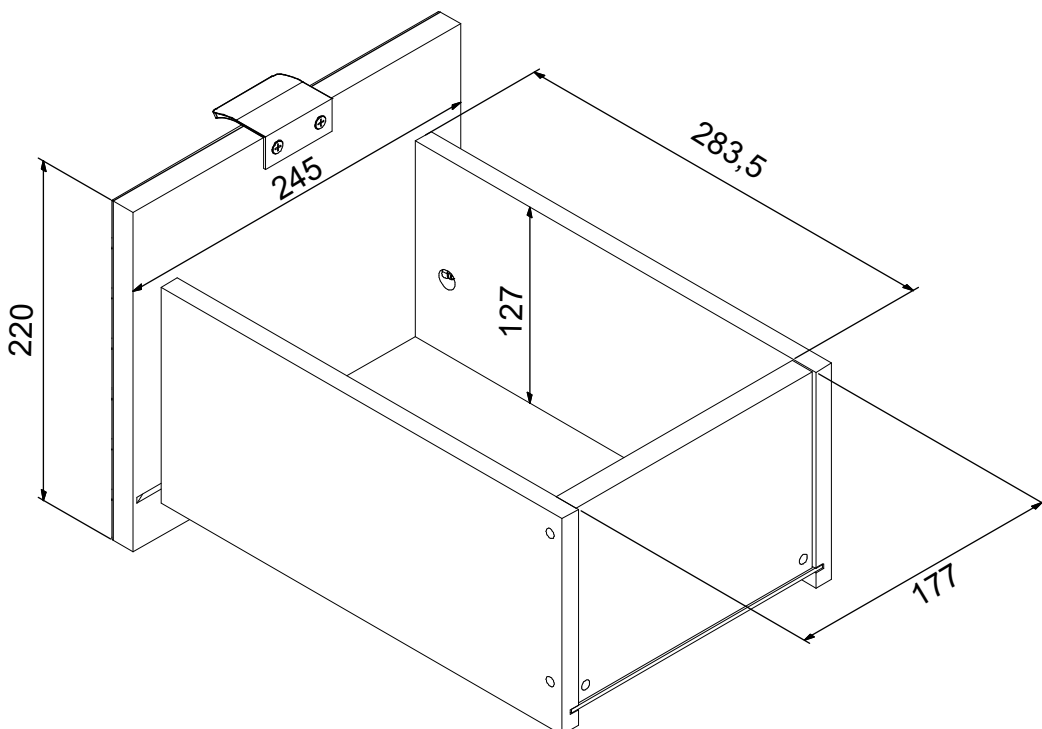
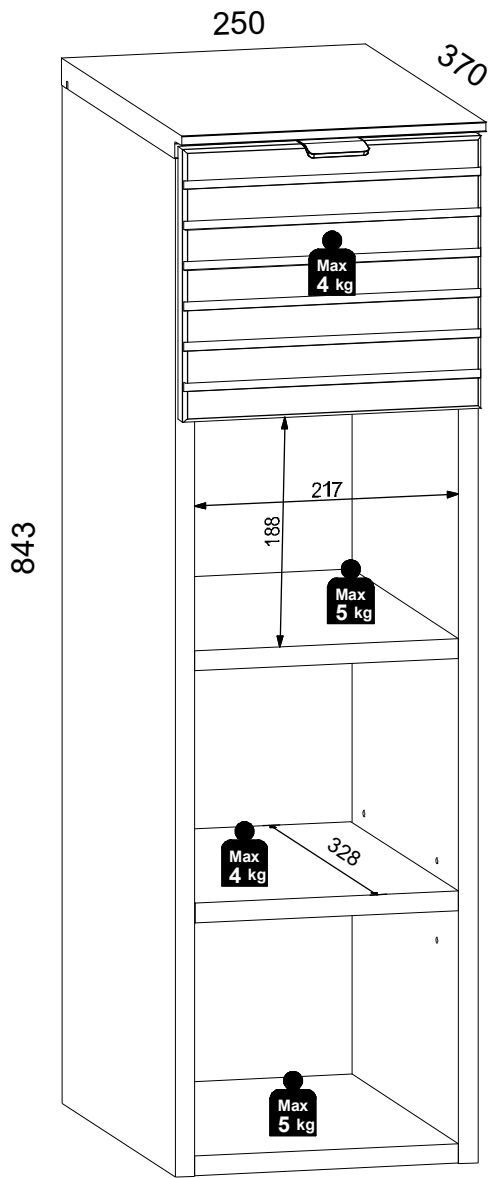




1x c496	2x ∅5x17 mm d1	4x ∅6x13 mm e3	16x ∅8x30 mm f1	4x ∅6.5x40 mm f25
2x ∅10x50 mm f35	4x l2	1x n165L	1x n165P	4x ∅4x30 mm p21
2x ∅3.5x15 mm p51	7x ∅2.9x16 mm p55	2x ∅6x80 mm p127	12x ∅15x12 mm #16 r1	2x ∅12x10.5 mm #12 r15
14x 20/11 r42	1x 300mm w125L	1x 300mm w125P	8x ∅ 20mm s68	2x d39
2x ∅2.5x13 mm p15				

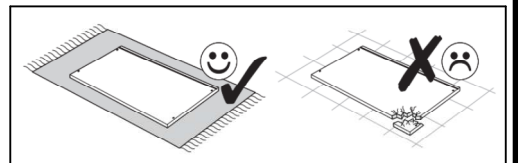
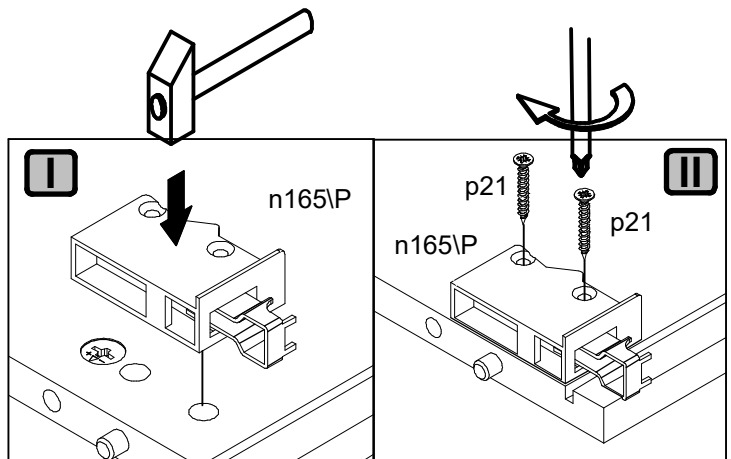
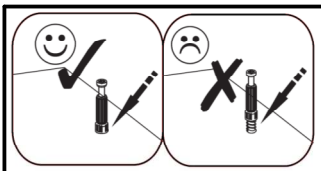
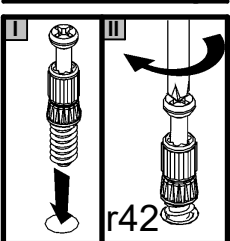
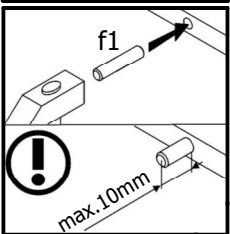
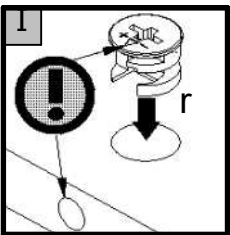
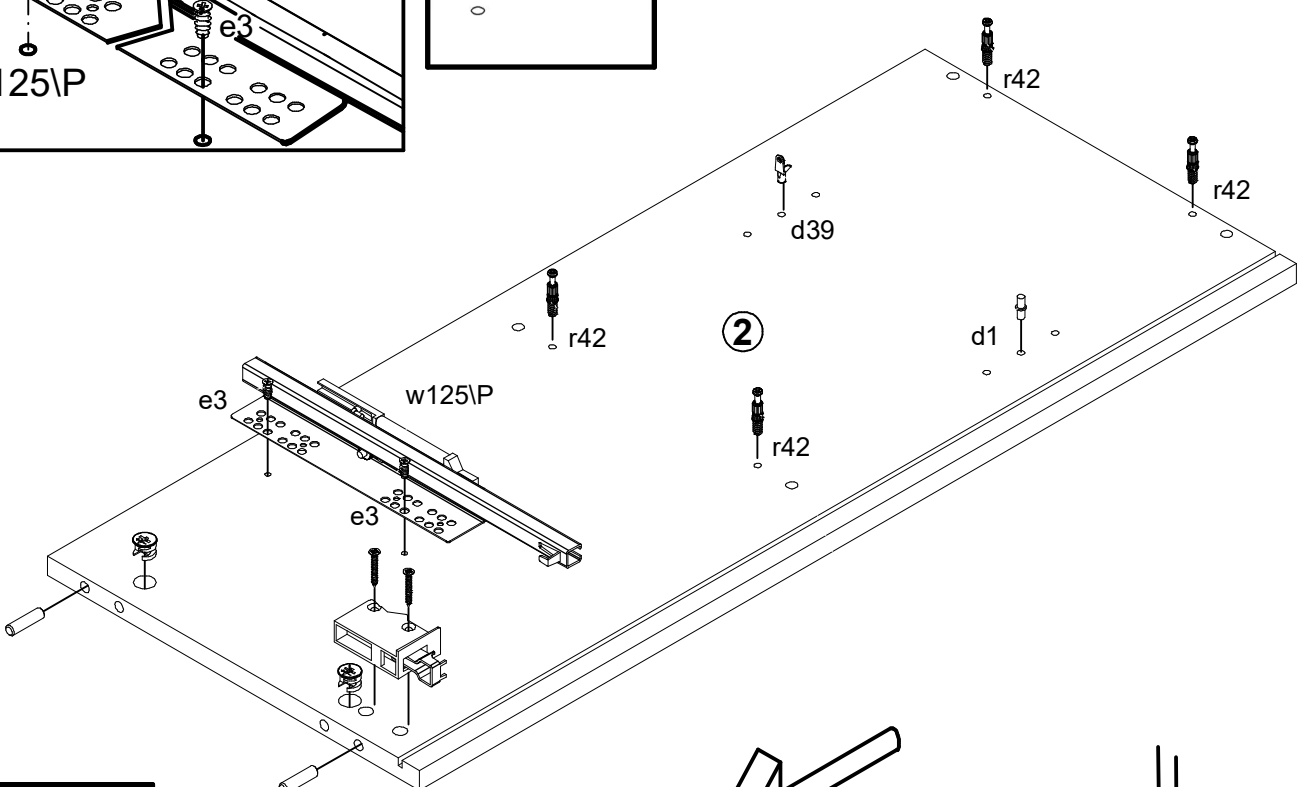
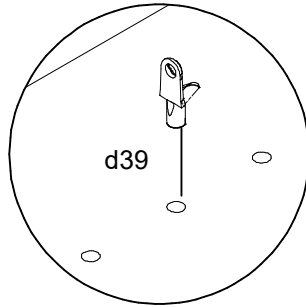
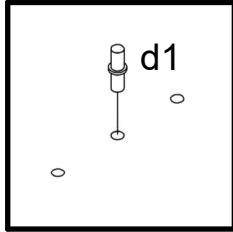
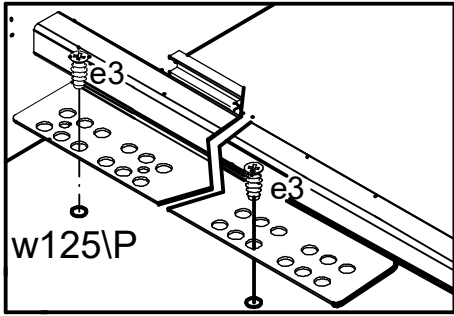
A	B1	B2	C1	C2	C3	C4	D
1	M278-0005	-	245	220	18	1	1/1
2	M278-1005	-	821	348	16	1	1/1
3	M278-1006	-	821	348	16	1	1/1
4	M278-2003	-	250	370	22	1	1/1
5	M278-3007	-	217	348	16	1	1/1
6	M278-3008	-	217	328	16	1	1/1
7	M278-3009	-	216	328	16	1	1/1
8	M278-9001	-	814	227	2,5	1	1/1
9	WSP-9626	-	188	308	2,5	1	1/1
10	WSQ3-5003	-	300	140	12	1	1/1
11	WSQ3-5004	-	300	140	12	1	1/1
12	ZQ6-5447	-	177	127	15	1	1/1





1 ▶

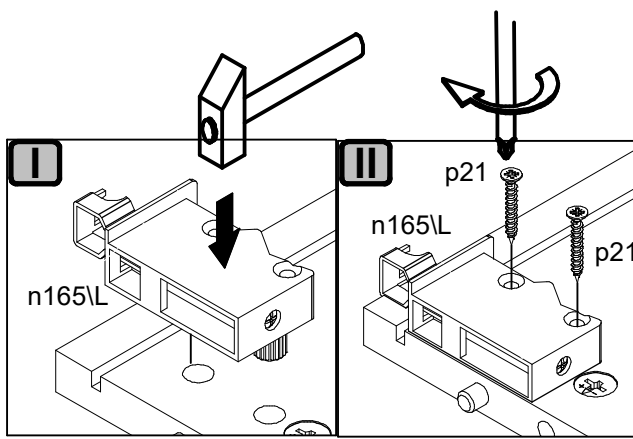
2x Ø6x13 mm e3	1x 300mm w125\P	2x Ø8x30 mm f1	2x Ø15x12 mm #16 r1	4x 20/11 r42
			1x Ø5x17 mm d39	1x Ø5x17 mm d1
			1x n165\P	
			2x Ø4x30 mm p21	



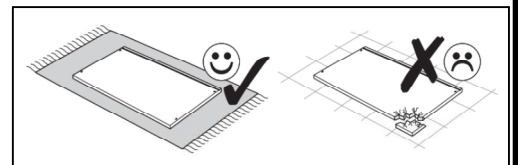
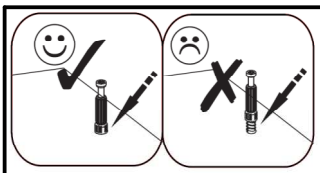
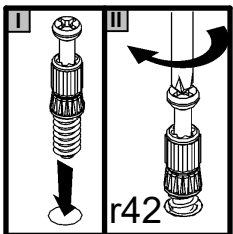
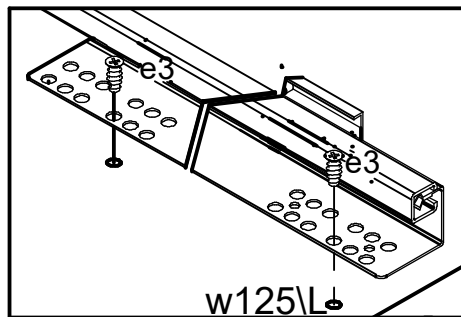
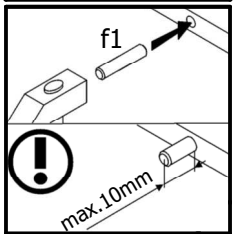
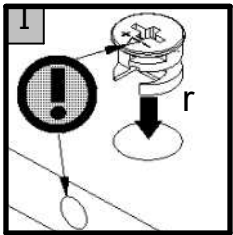
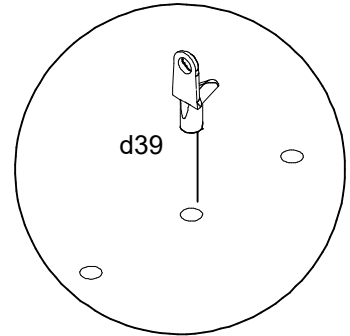
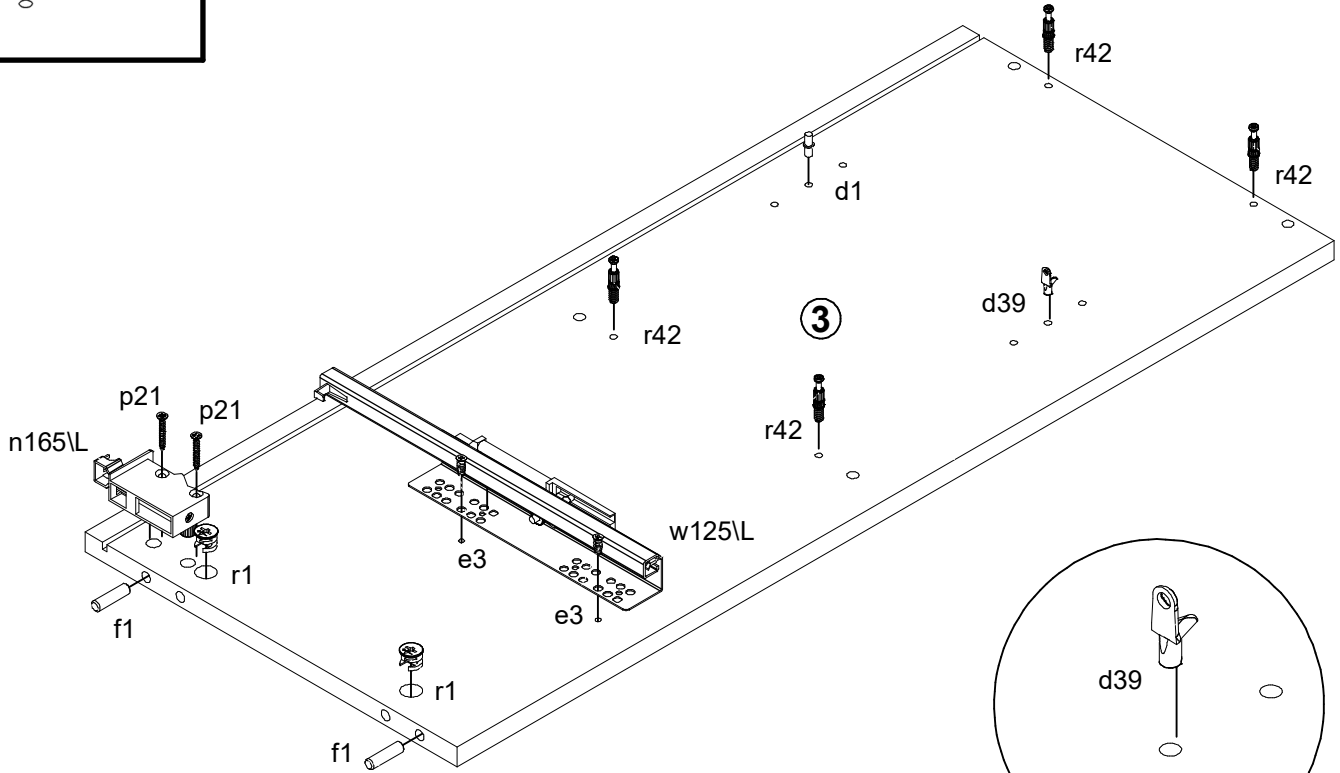
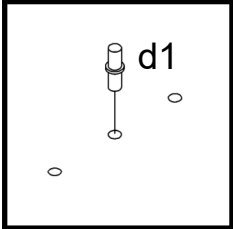


2x Ø6x13 mm e3	1x 300mm w125\L	2x Ø8x30 mm f1	2x Ø15x12 mm #16 r1	4x 20/11 r42
----------------------	-----------------------	----------------------	---------------------------	--------------------

2 ▶

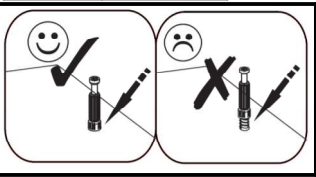
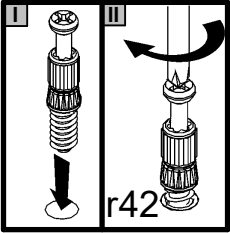
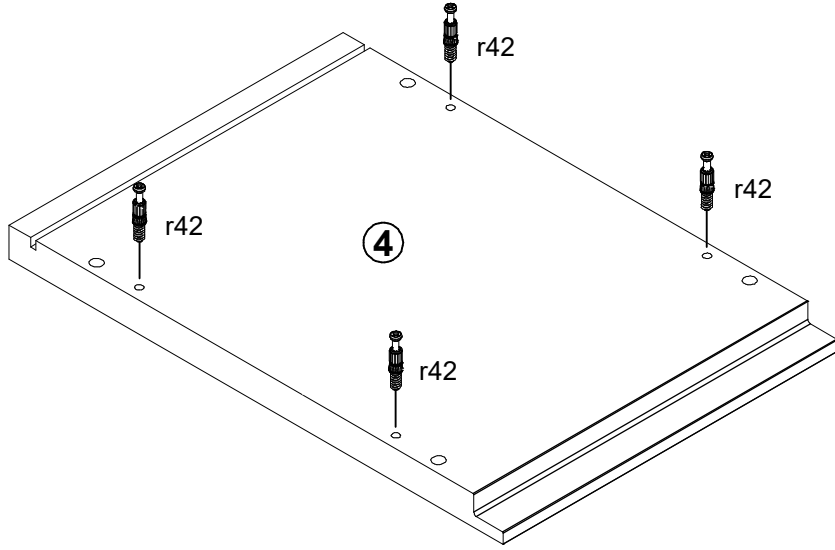


1x Ø5x17 mm d1
1x n165\L
2x Ø4x30 mm p21
1x d39

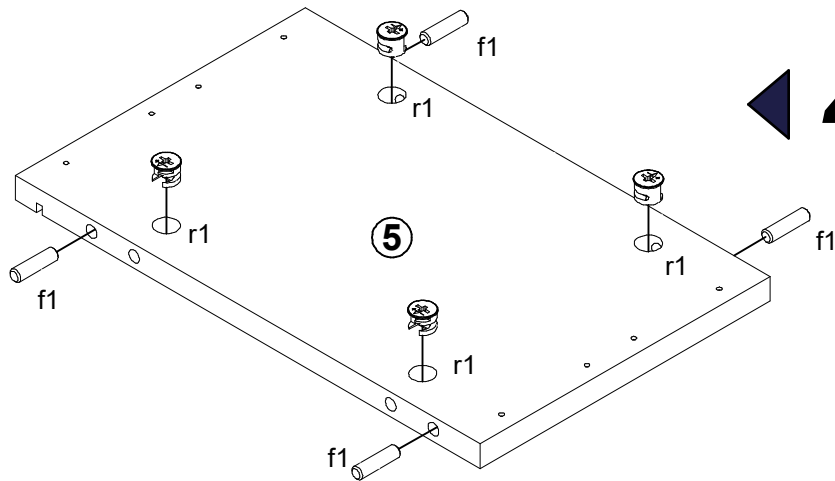


4x 20/11 r42	8x Ø8x30 mm f1	8x Ø15x12 mm #16 r1
--------------------	----------------------	---------------------------

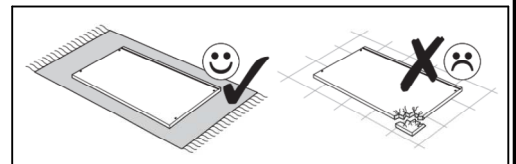
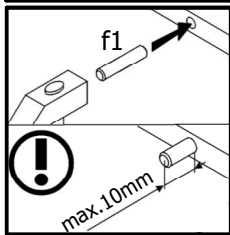
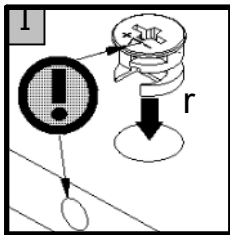
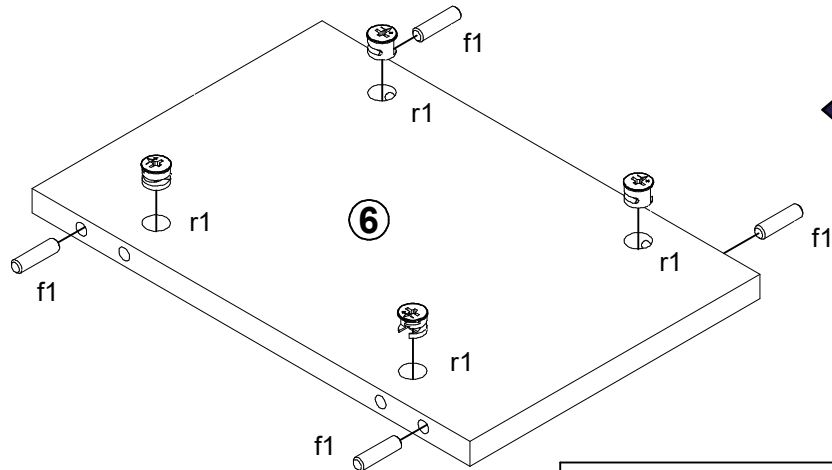
3 ▶

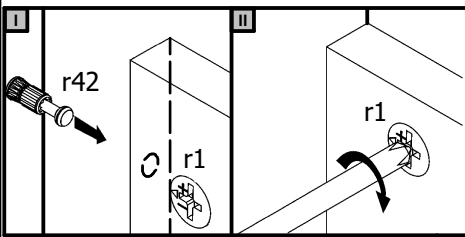
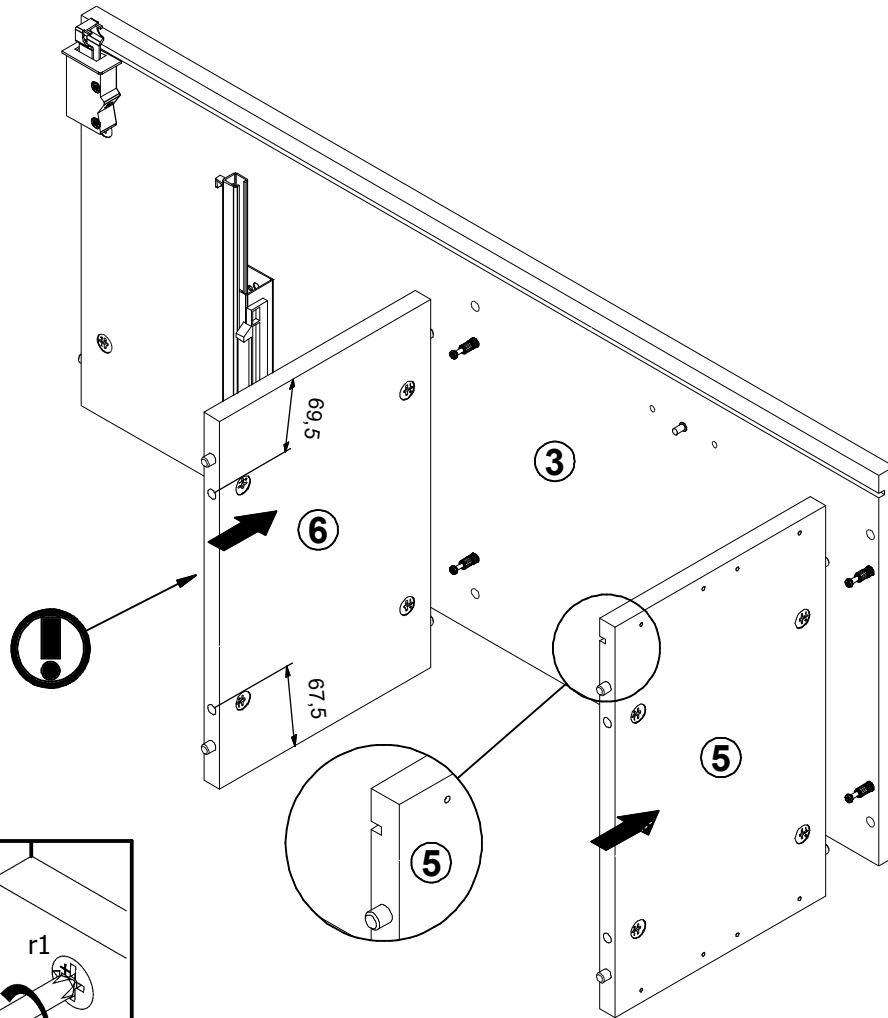
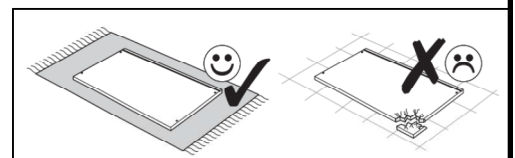
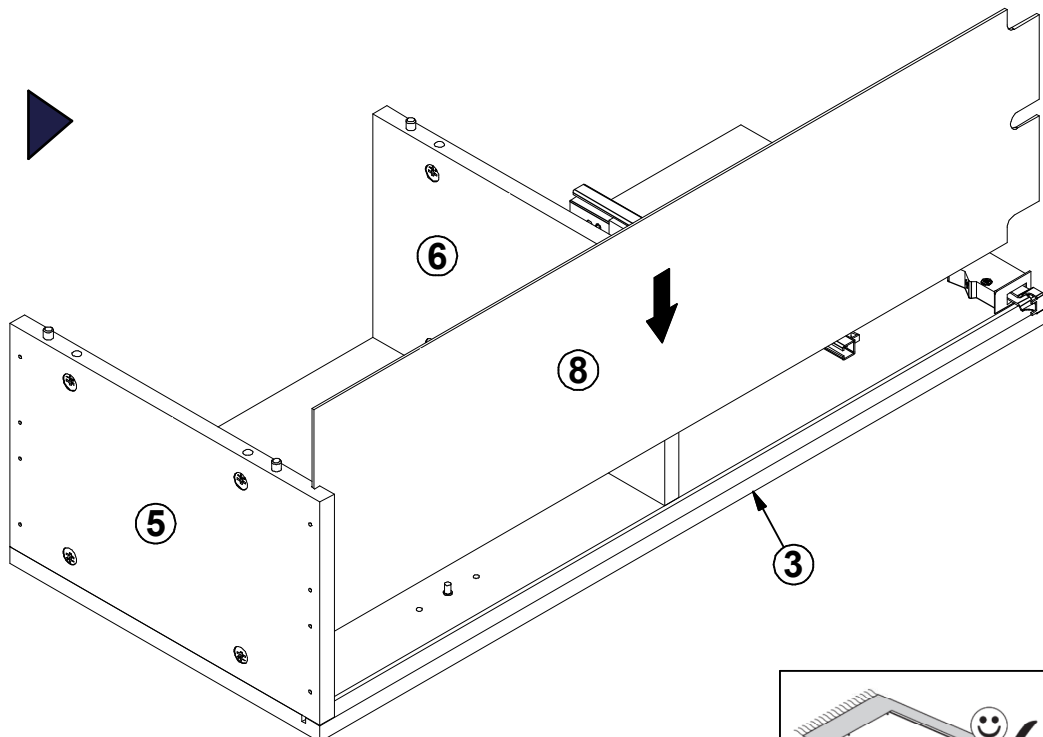


◀ 4

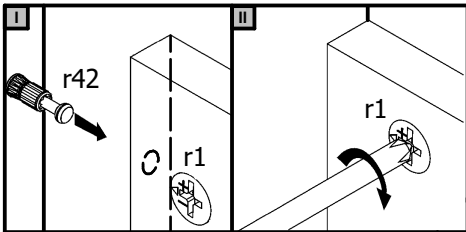
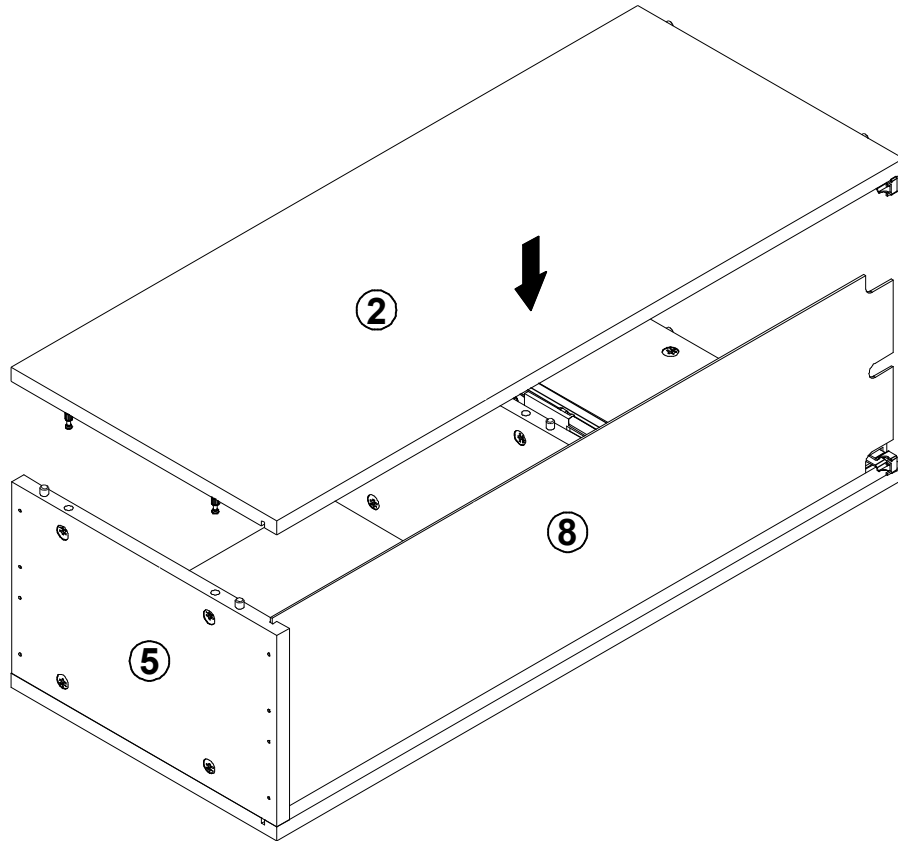


◀ 5

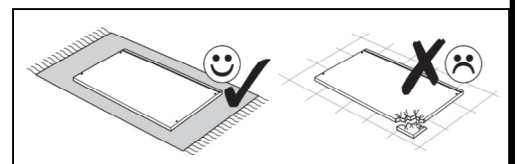
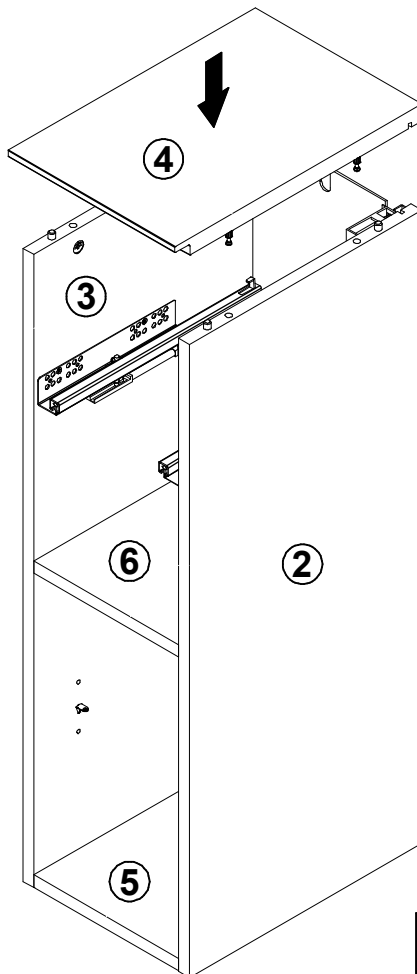


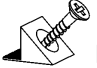
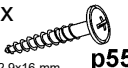
**6** ▶**7** ▶

8 ▶

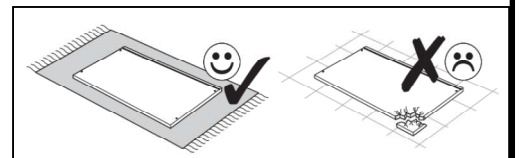
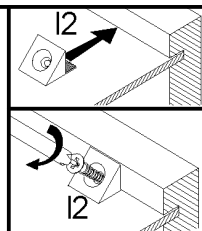
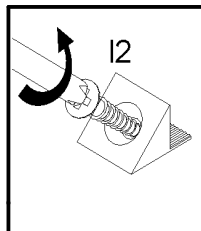
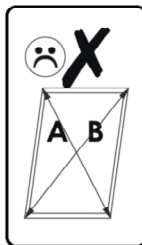
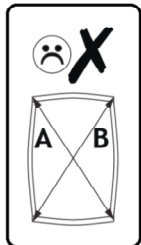
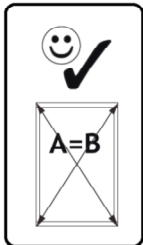
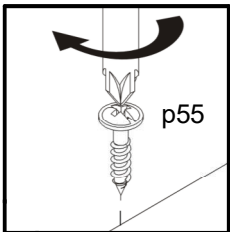
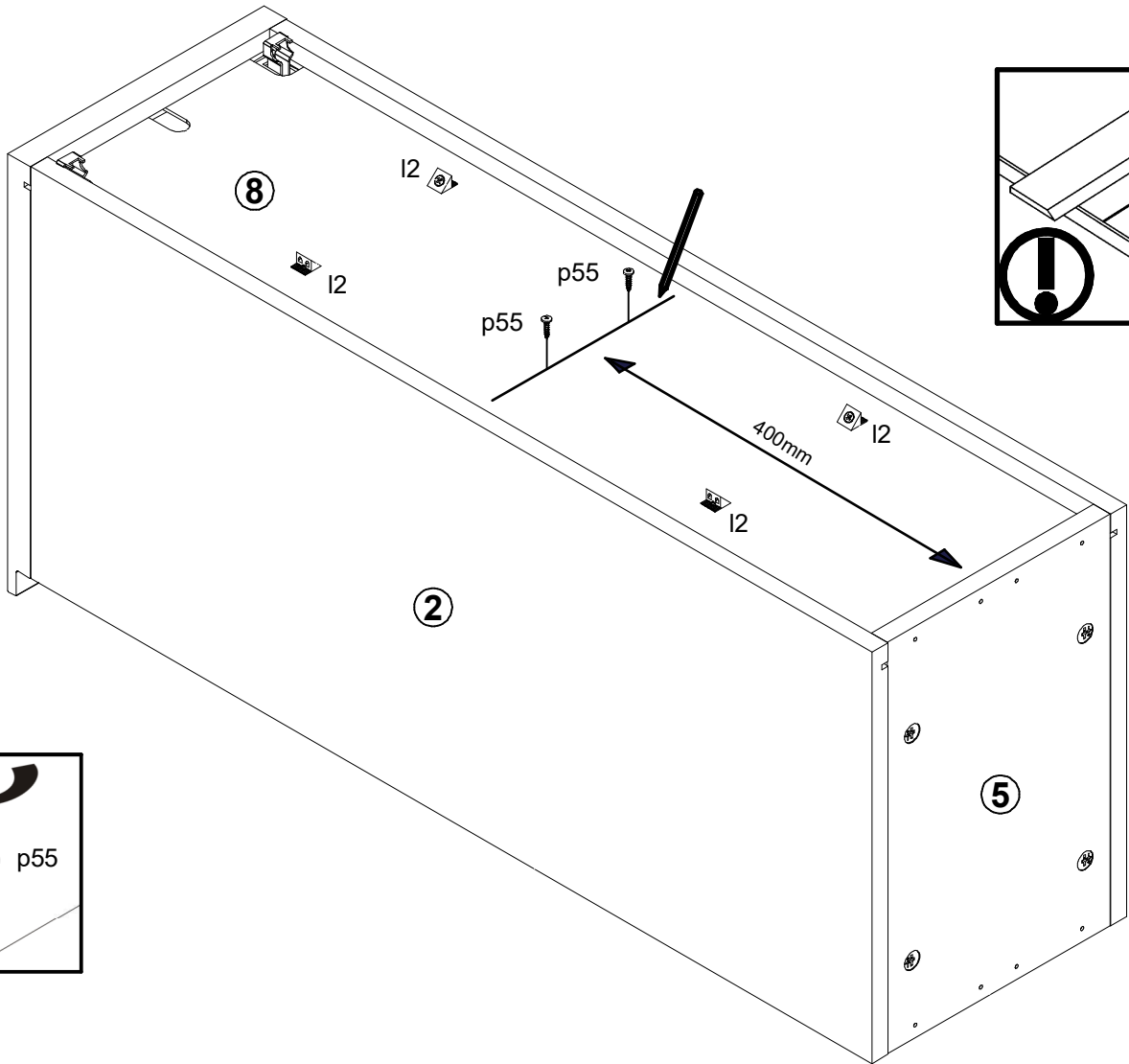


9 ▶

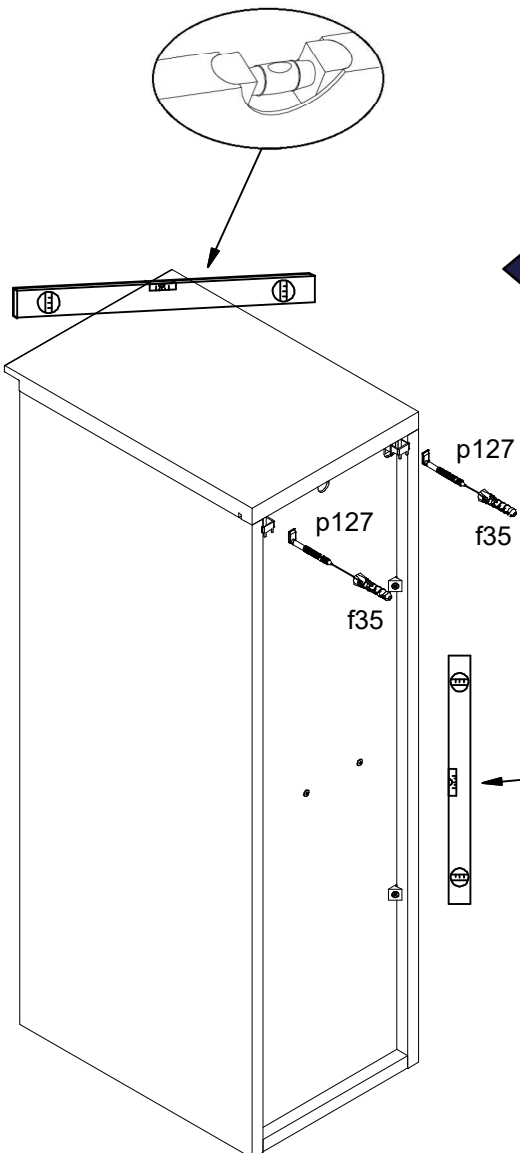
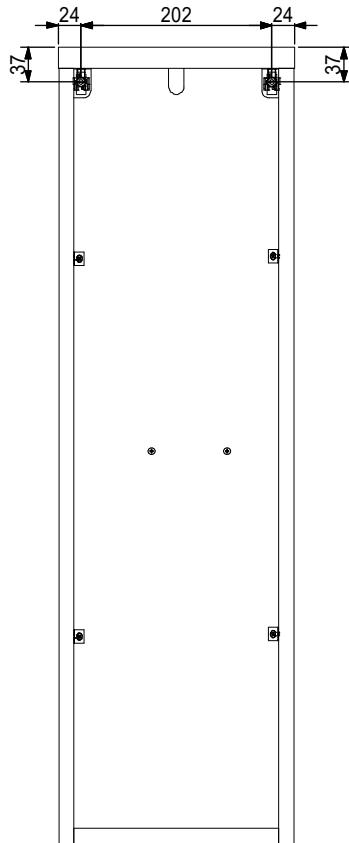


- 4x  I2
- 2x  p55  
Ø2.9x16 mm

# 10



11 ▶



▶ 12

	$\phi 10$ mm 			
--	------------------	--	--	--

--	--	--	--



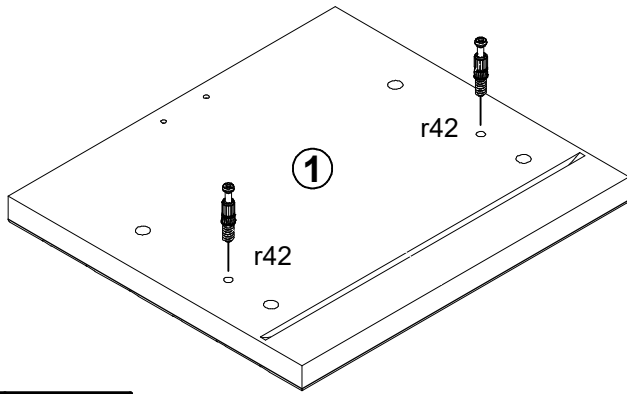
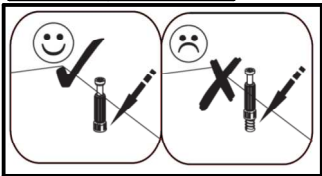
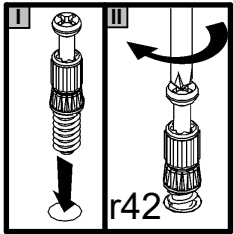
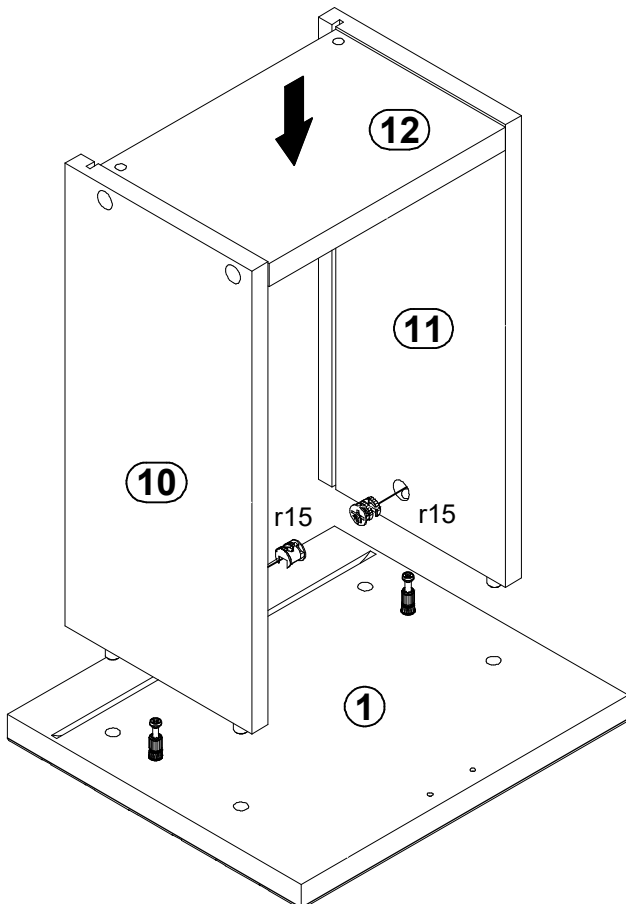
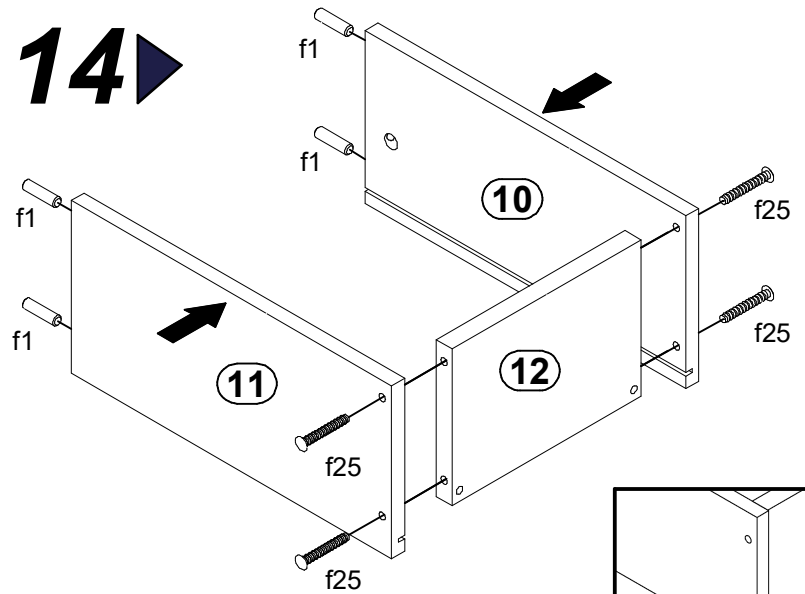
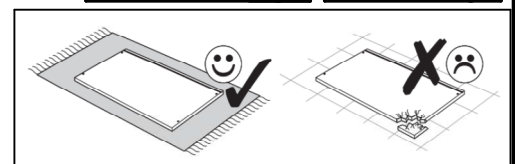
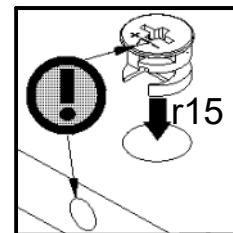
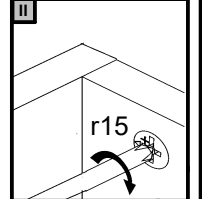
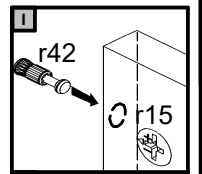
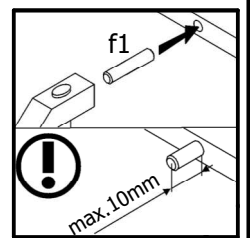
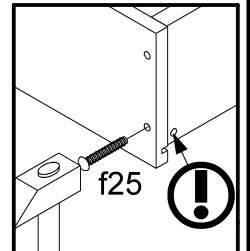

--	--	--

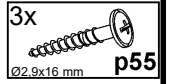
2x 	$\phi 10 \times 50$ mm f35
2x 	$\phi 6 \times 60$ mm p127

--	--	--

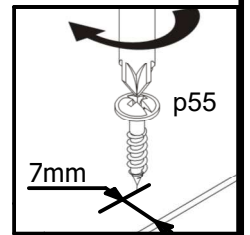
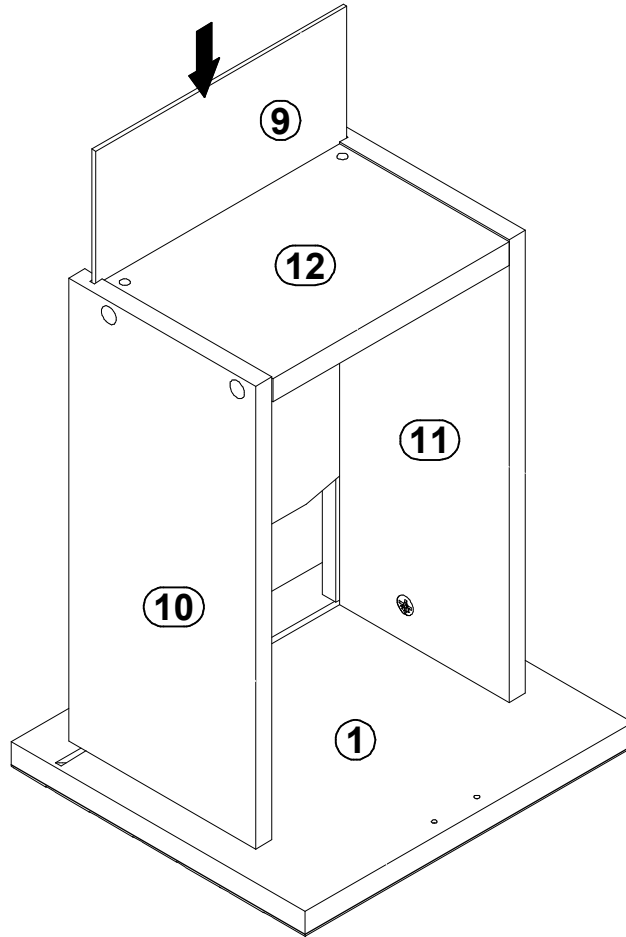
**A****M278-SFW1S****30 H8 99 25**

11 / 13

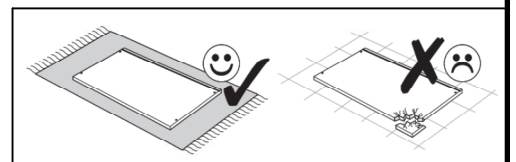
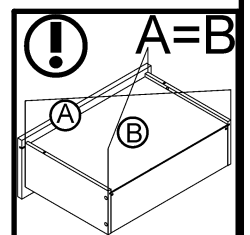
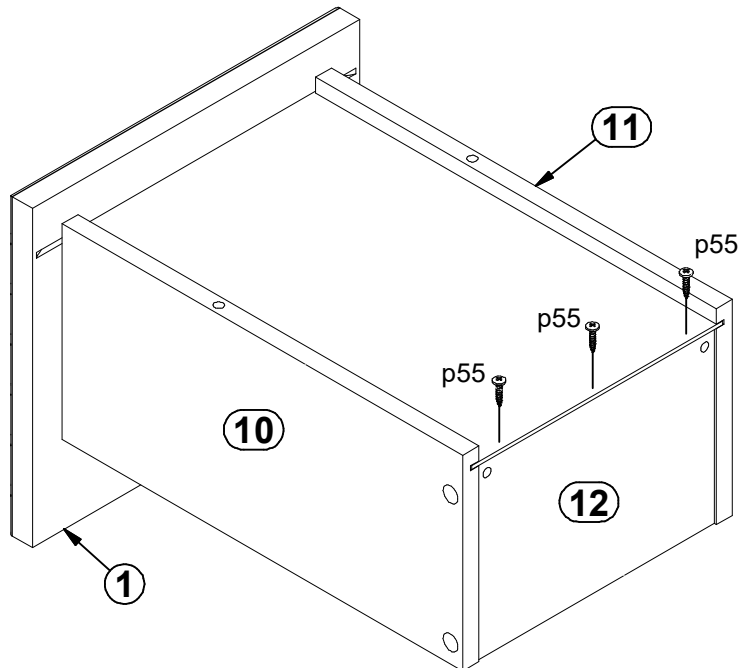
2x  **r15**  
Ø12x10,5 mm #122x  **r42**  
20/114x  **f25**  
Ø6,5x40 mm4x  **f1**  
Ø8x30 mm**13****14****15**



16 ▶


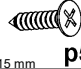
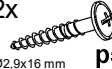


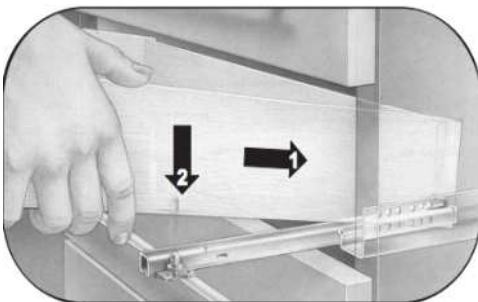
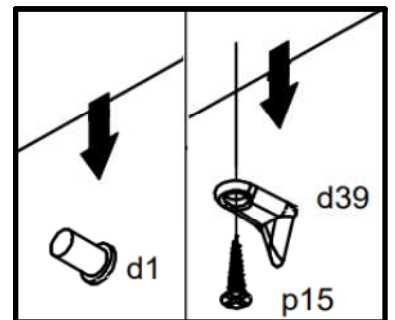
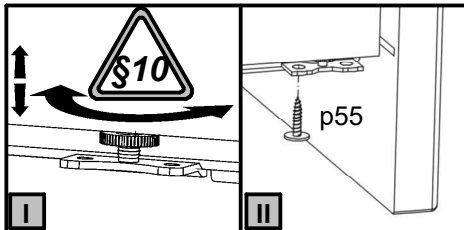
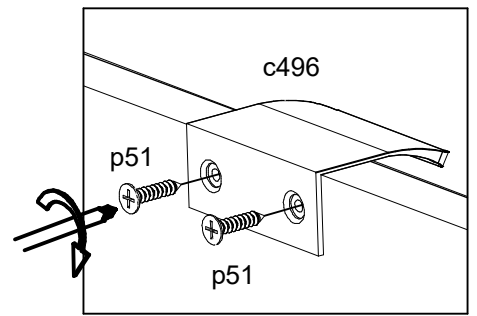
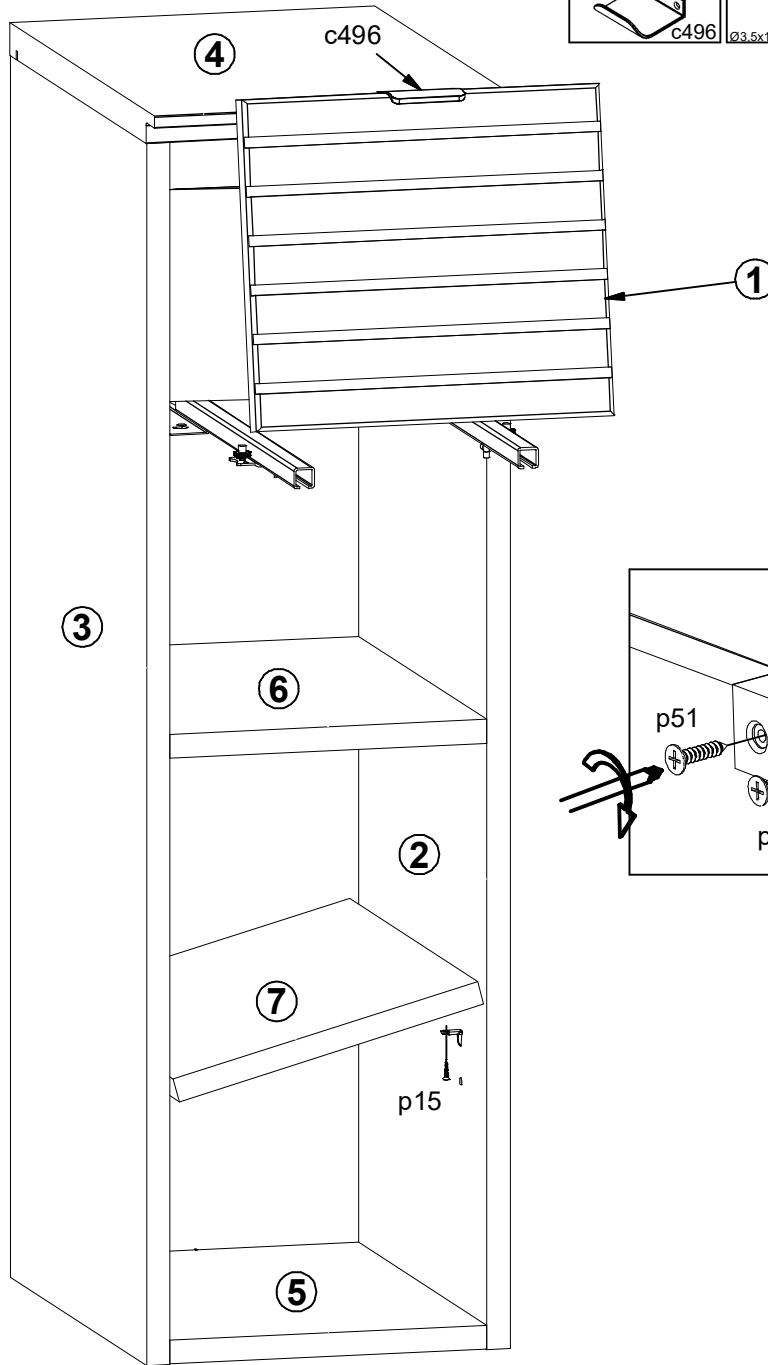
17 ▶

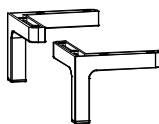
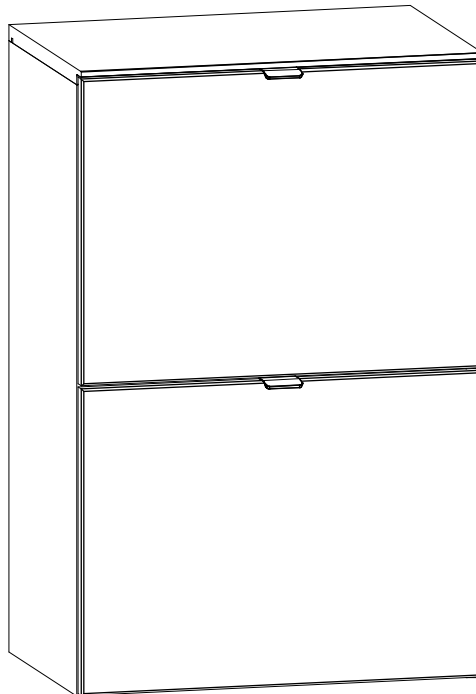
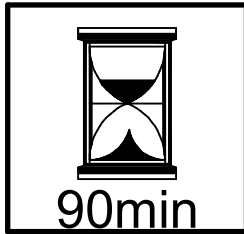
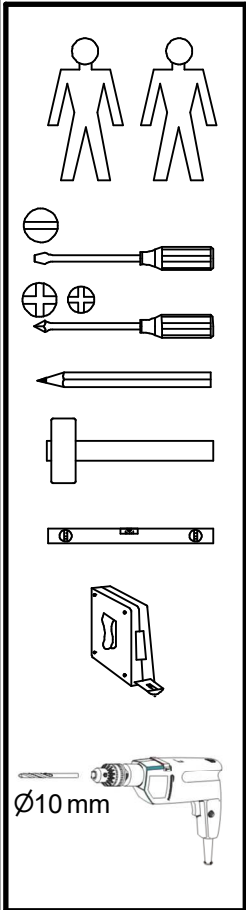
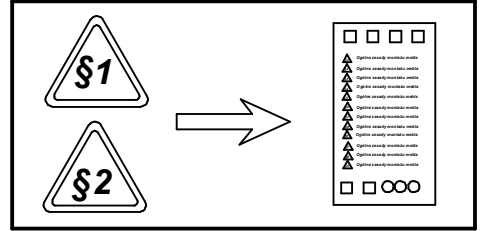
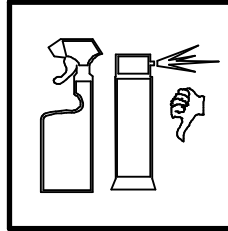
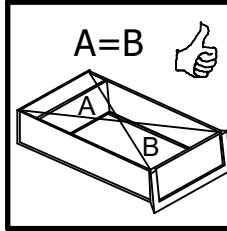
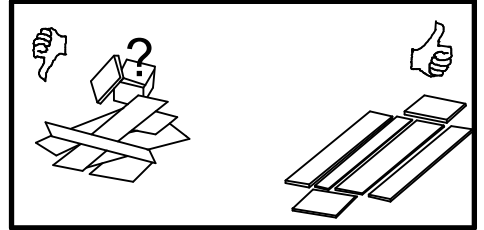
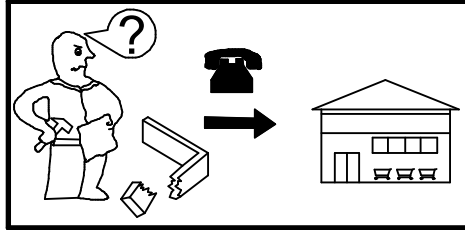
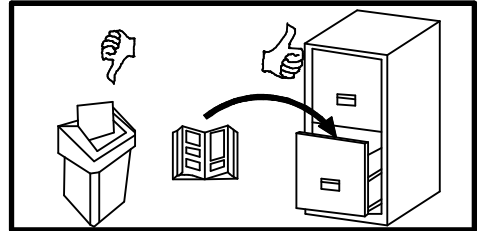
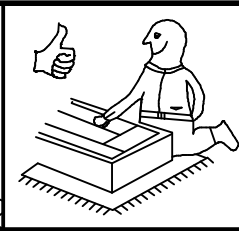
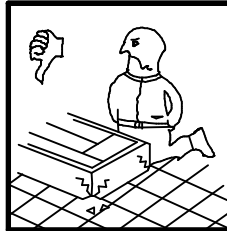
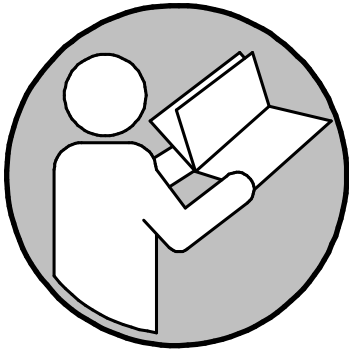




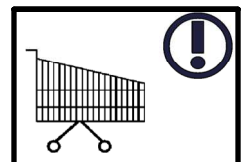
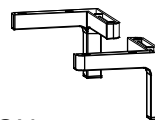
18 ▶

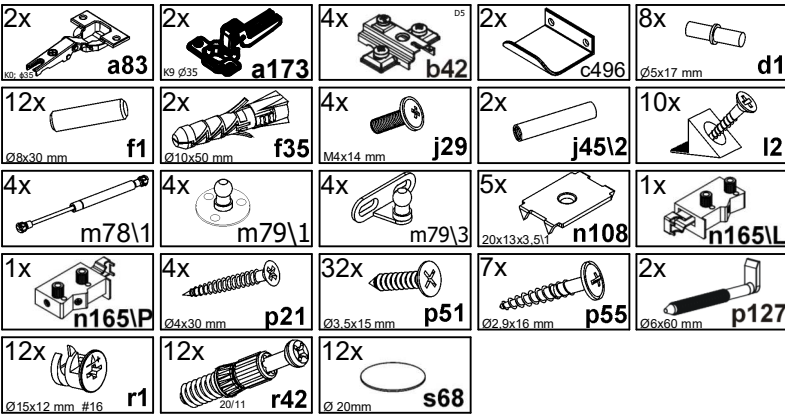
- 1x  c496
- 2x  p51 Ø3.5x15 mm
- 2x  p55 Ø2.9x16 mm



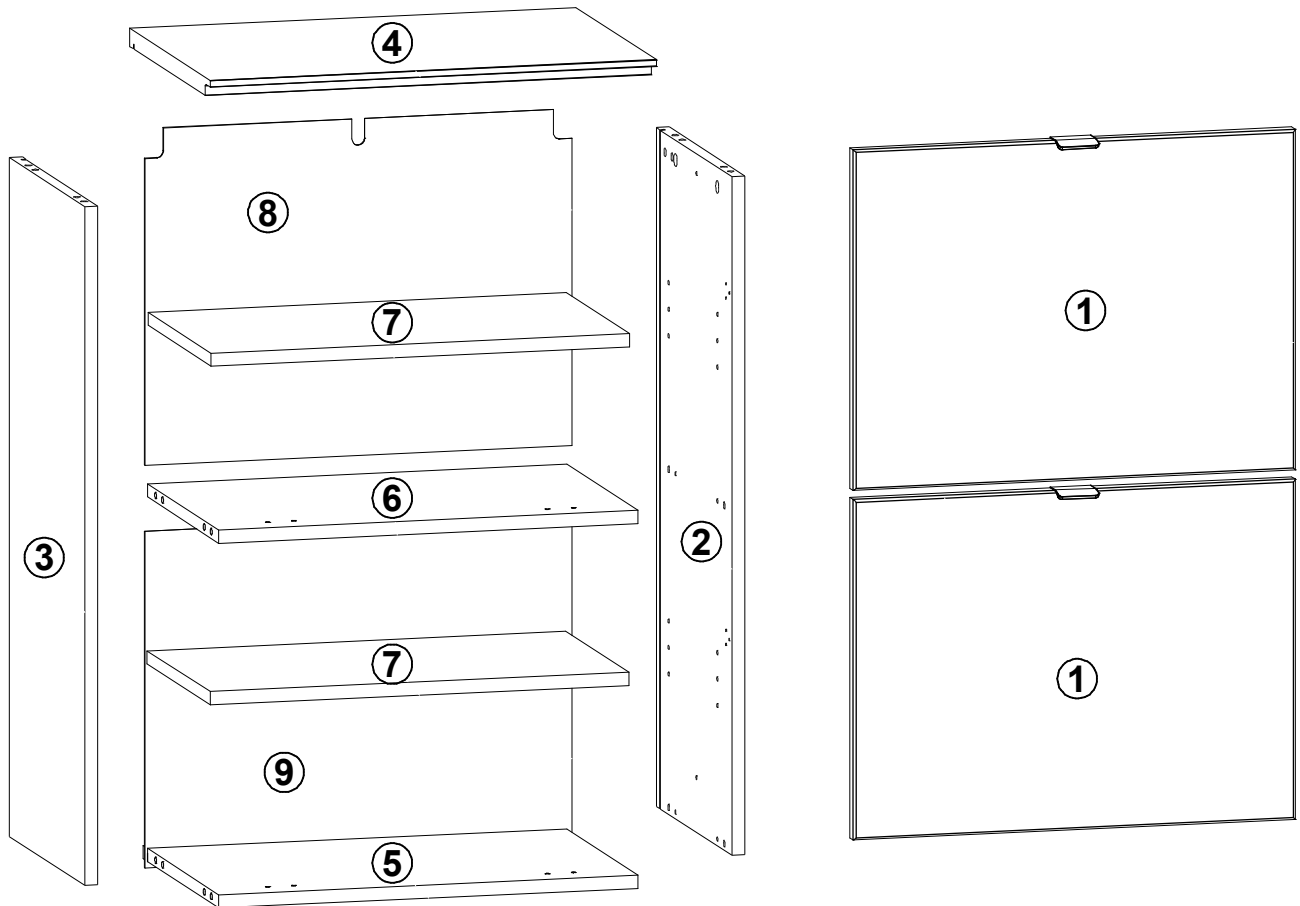


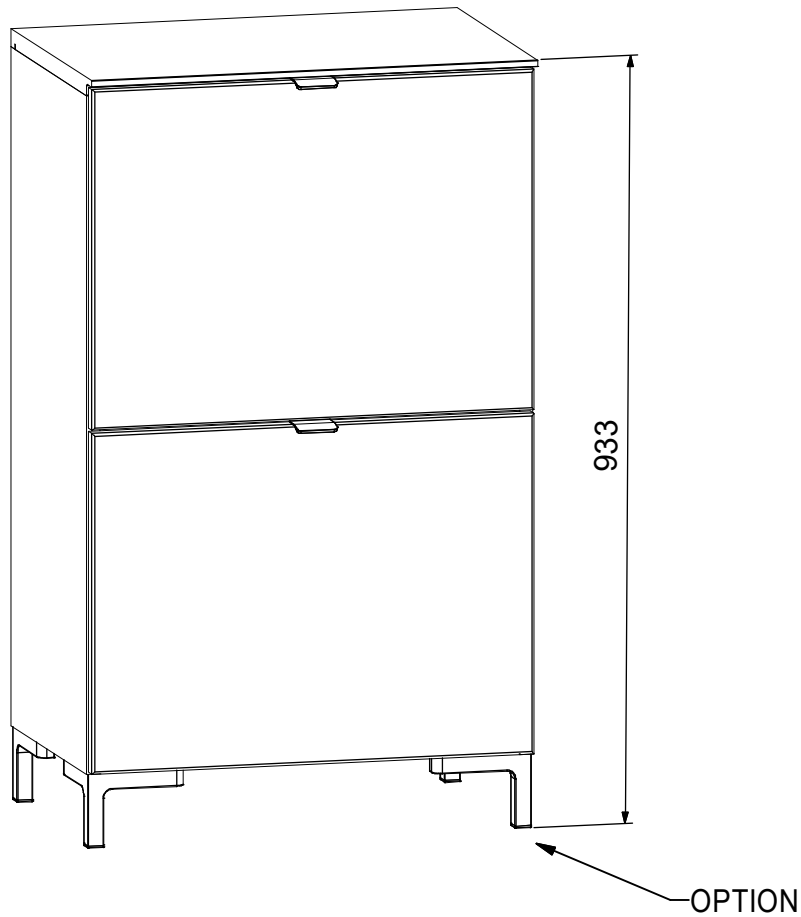
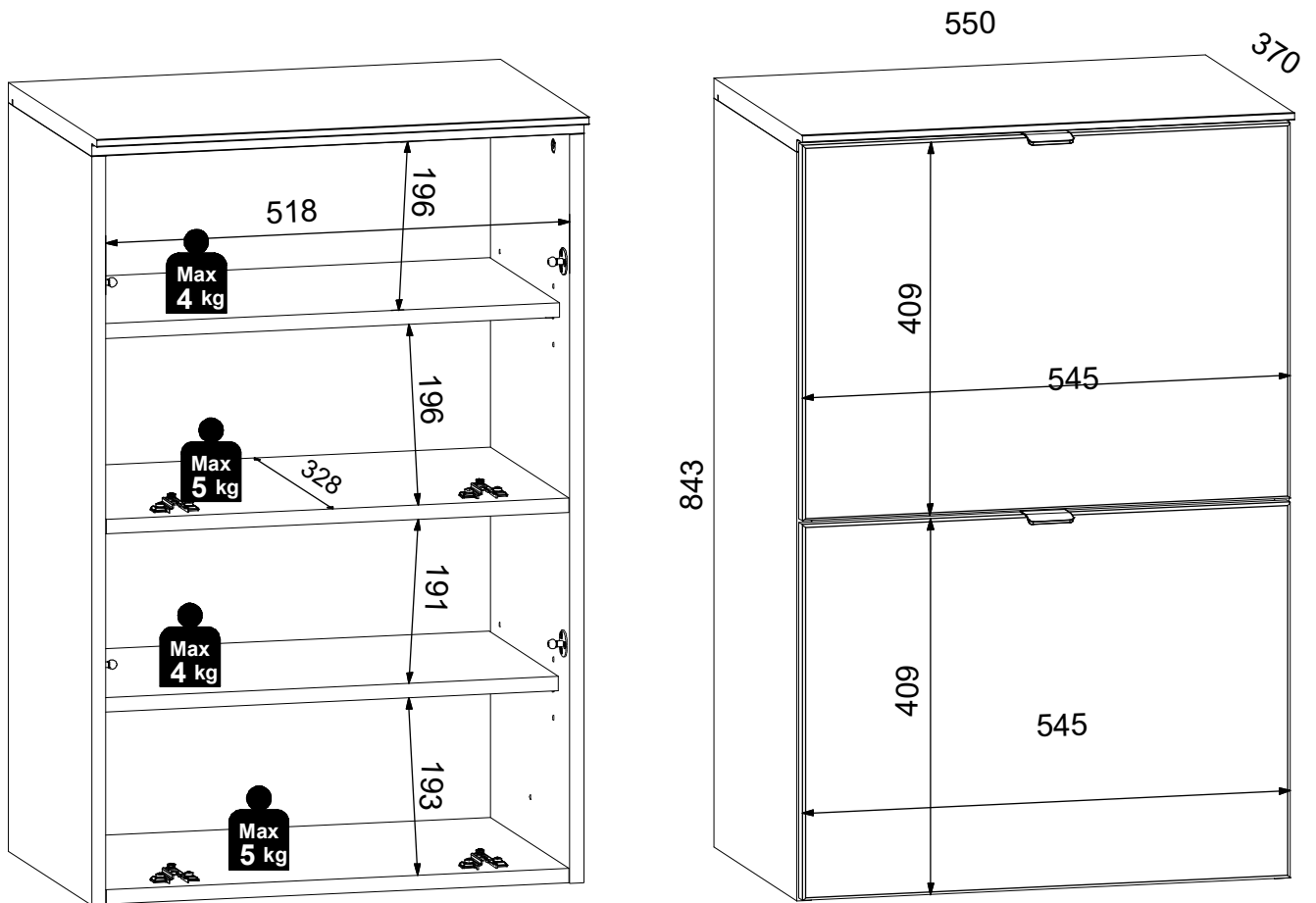
OPTION  
99 03 01 95





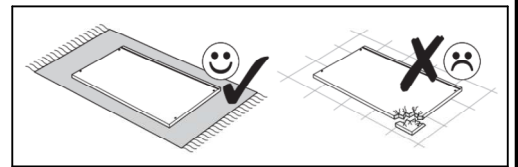
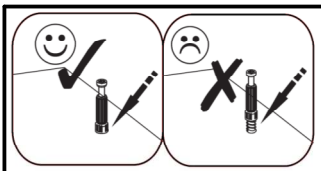
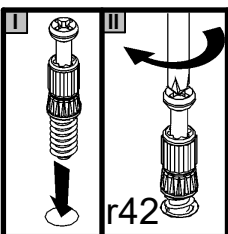
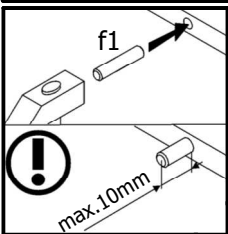
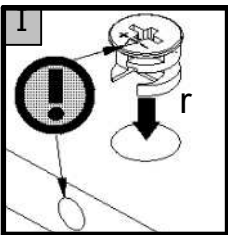
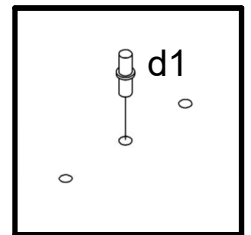
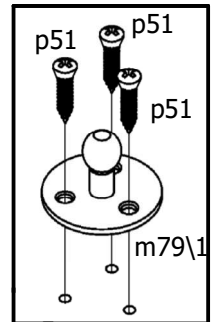
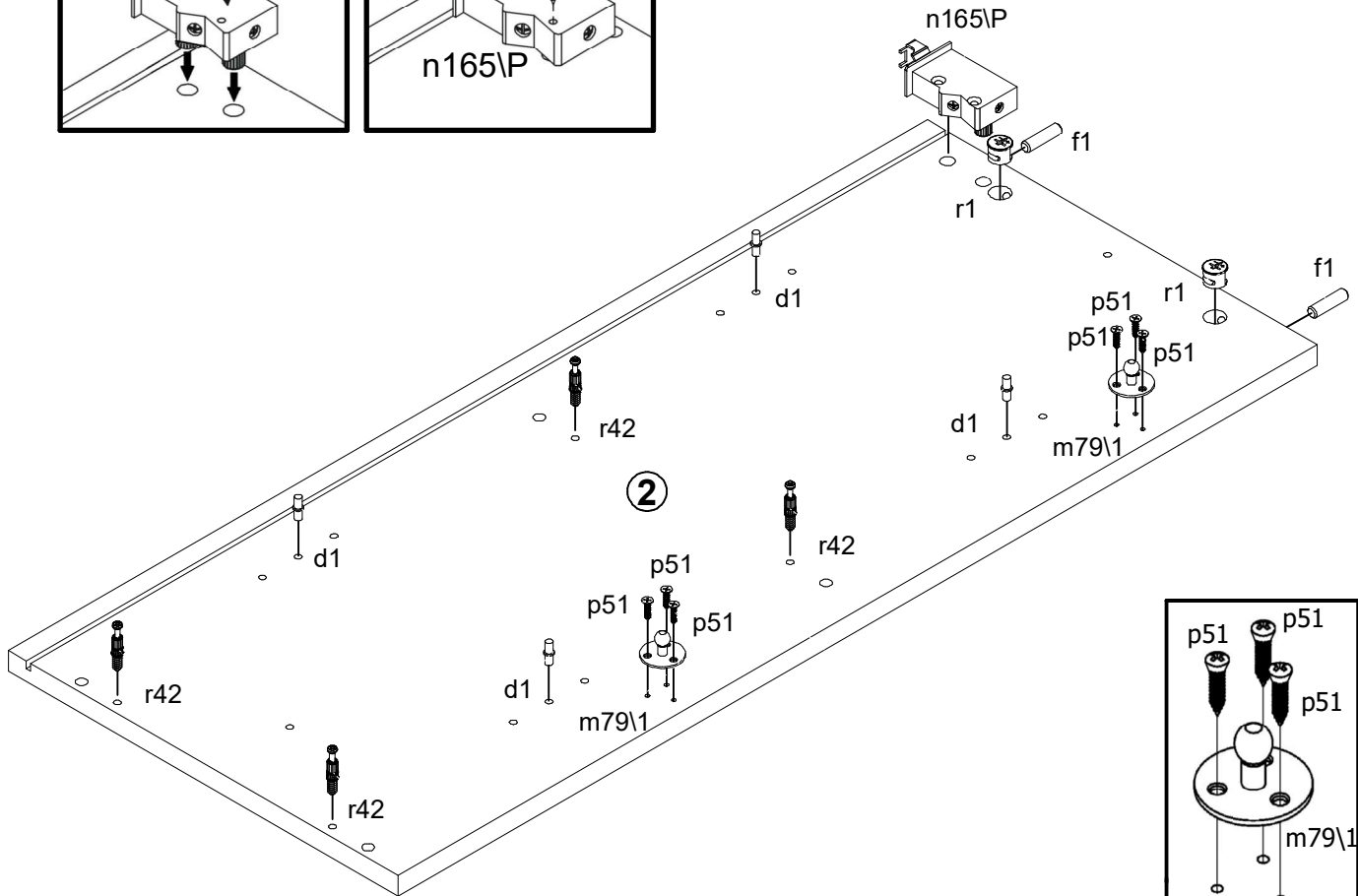
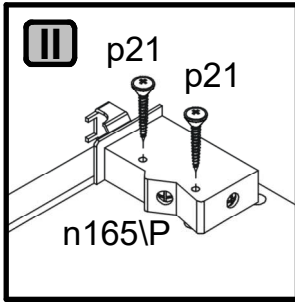
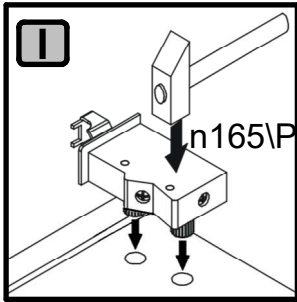
A	B1	B2	C1	C2	C3	C4	D
1	M278-0003	-	545	412	18	2	1/1
2	M278-1001	-	821	348	16	1	1/1
3	M278-1002	-	821	348	16	1	1/1
4	M278-2002	-	550	370	22	1	1/1
5	M278-3004	-	517	348	16	1	1/1
6	M278-3005	-	517	328	16	1	1/1
7	M278-3006	-	516	290	16	2	1/1
8	M278-9005	-	527	407	2,5	1	1/1
9	M278-9006	-	527	407	2,5	1	1/1





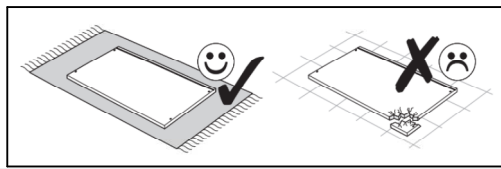
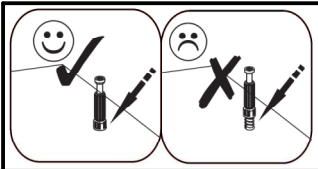
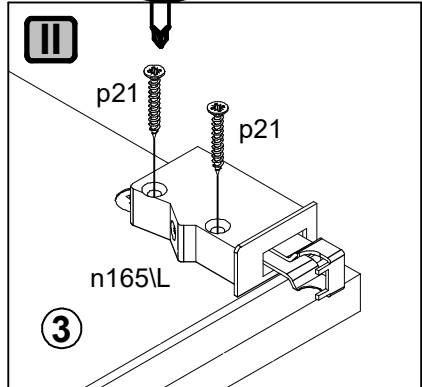
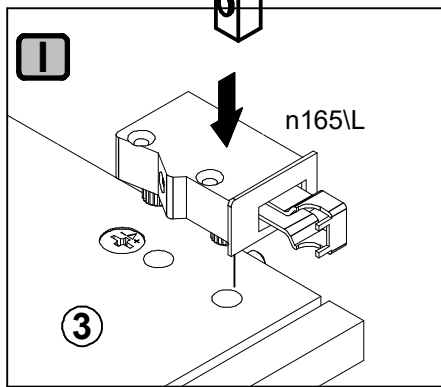
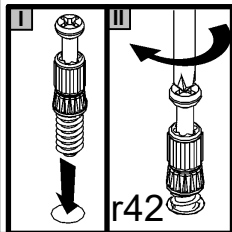
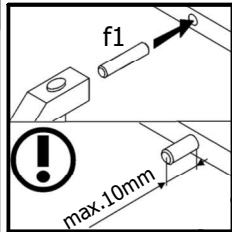
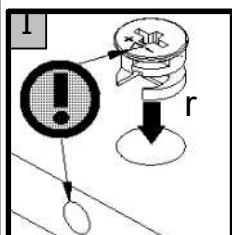
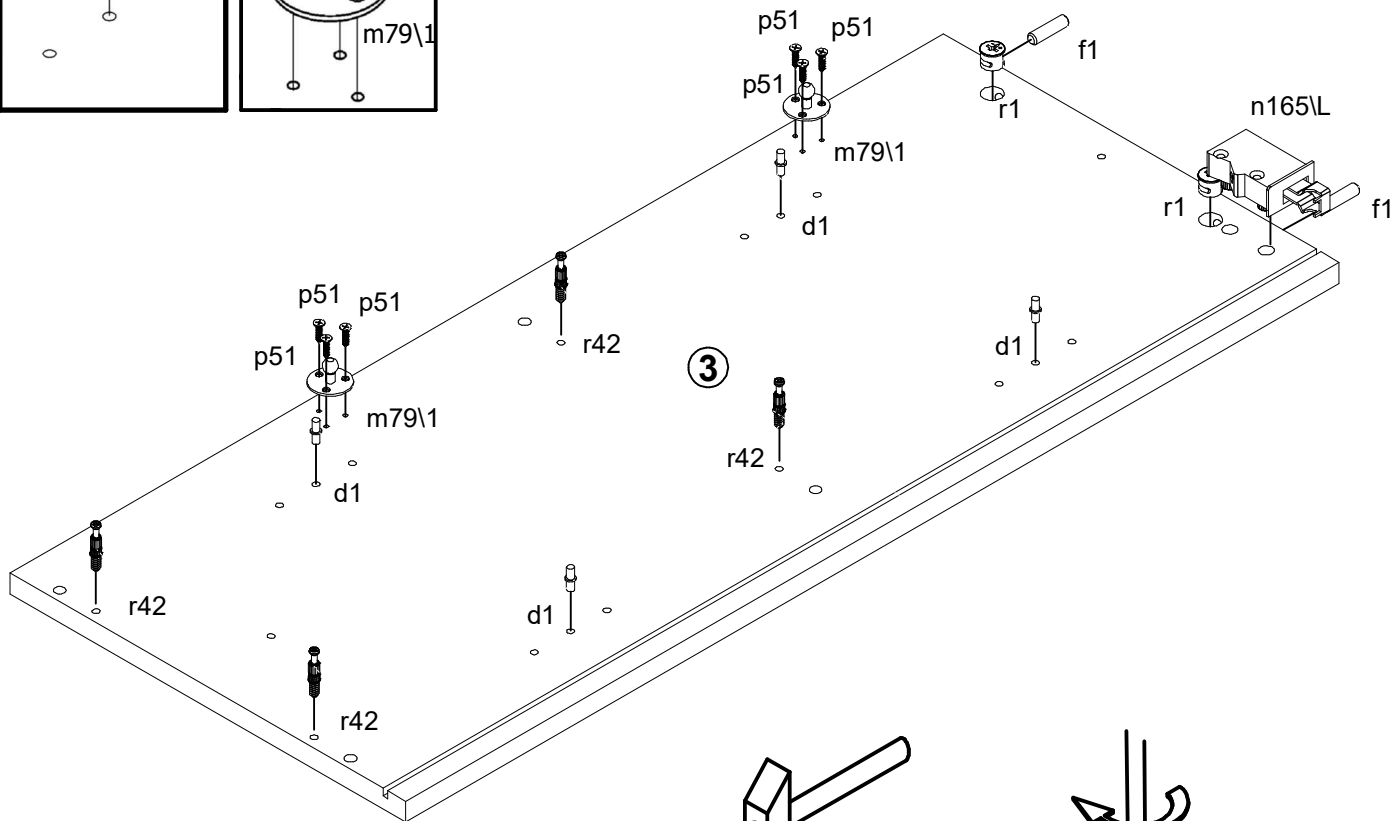
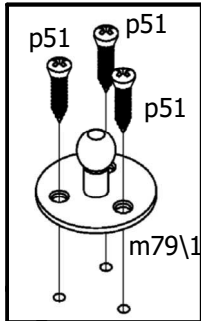
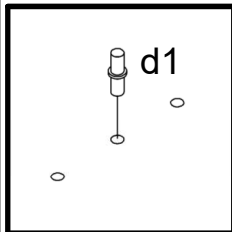


- 2x f1  $\varnothing 8 \times 30$  mm
- 2x r1  $\varnothing 15 \times 12$  mm #16
- 4x r42  $\varnothing 20 \times 11$
- 2x m79\1
- 6x p51  $\varnothing 3.5 \times 15$  mm
- 4x d1  $\varnothing 5 \times 17$  mm
- 1x n165\P
- 2x p21  $\varnothing 4 \times 30$  mm

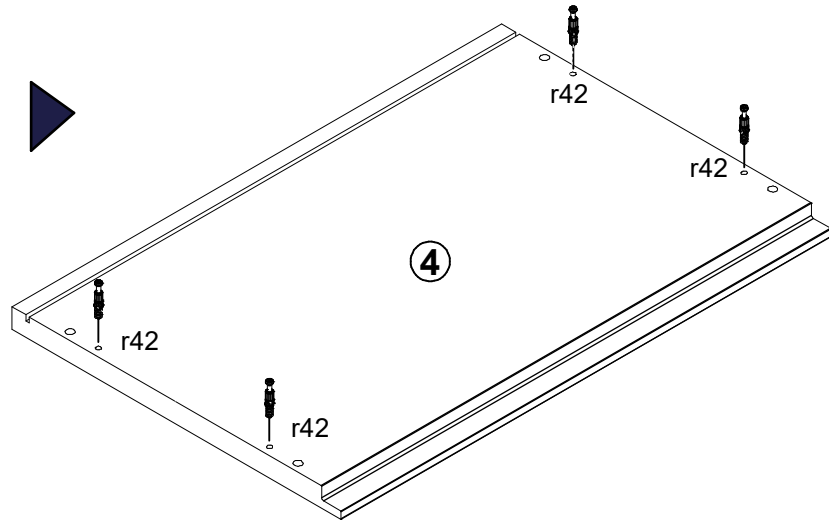




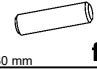

2 ▶

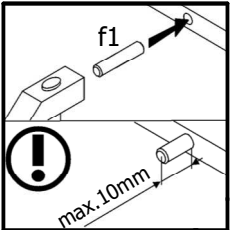
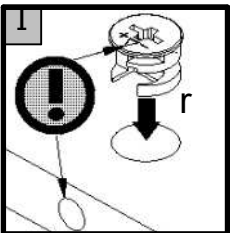
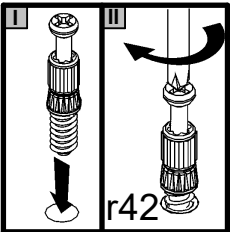
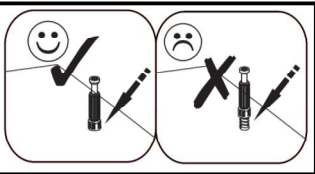
- 2x Ø8x30 mm f1
- 2x Ø15x12 mm #16 r1
- 4x 20/11 r42
- 2x m79\1
- 6x Ø3.5x15 mm p51
- 4x Ø5x17 mm d1
- 1x n165\L
- 2x Ø4x30 mm p21



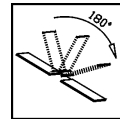
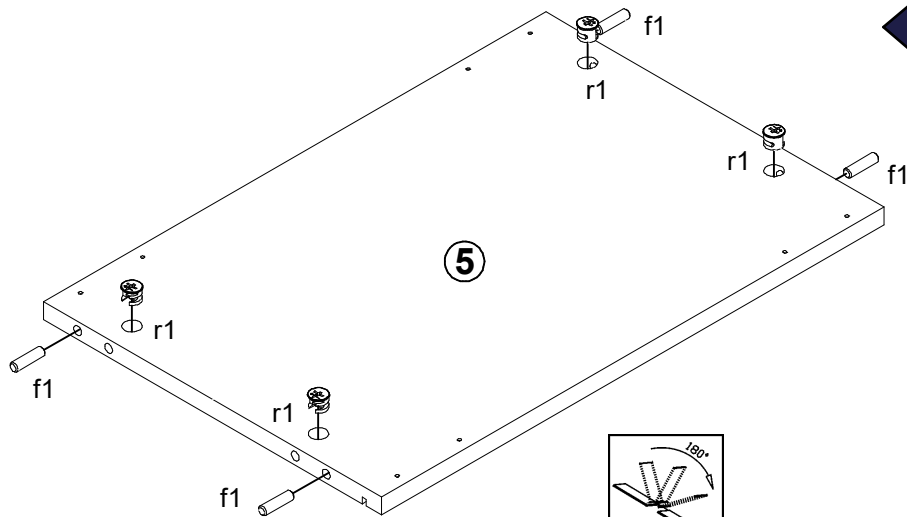
3 ▶



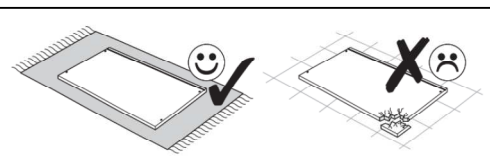
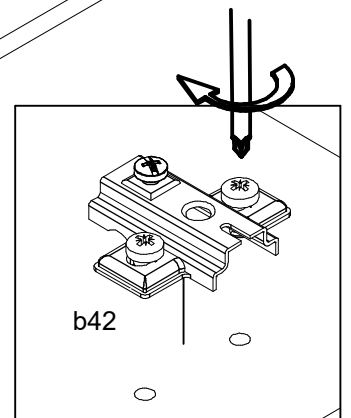
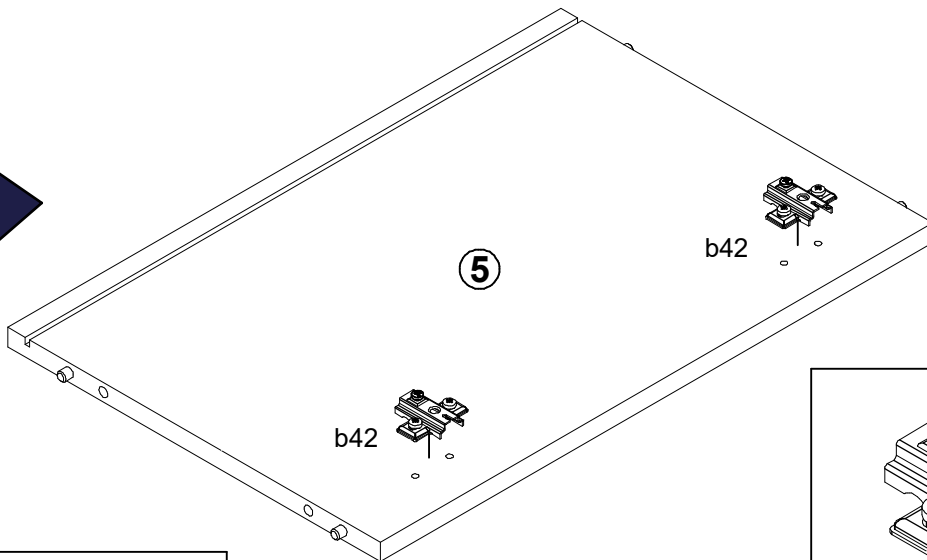
- 2x  **b42**
- 4x  **r1**  
Ø15x12 mm #16
- 4x  **f1**  
Ø8x30 mm
- 4x  **r42**  
20/11



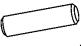


◀ 4

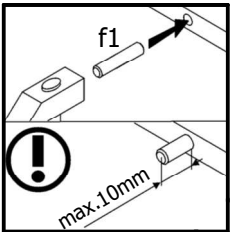
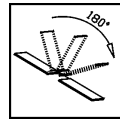
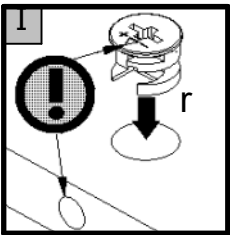
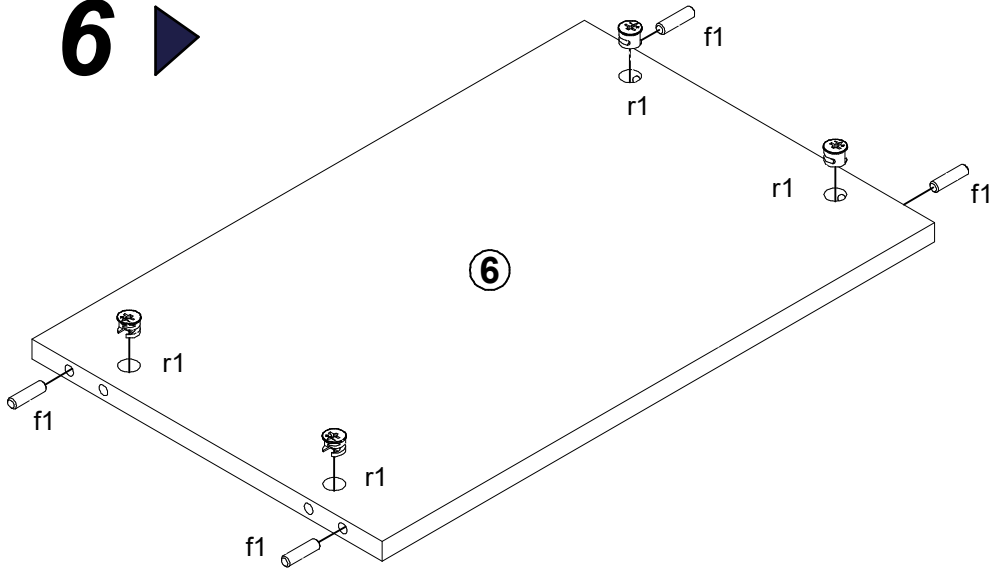


5 ▶

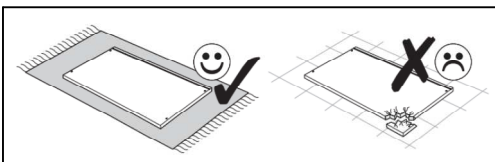
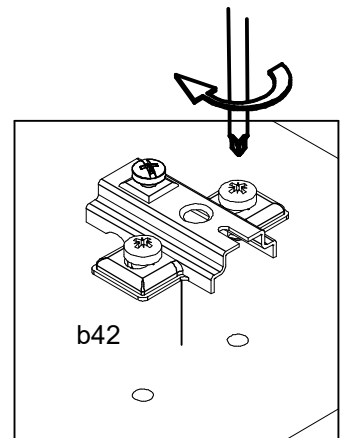
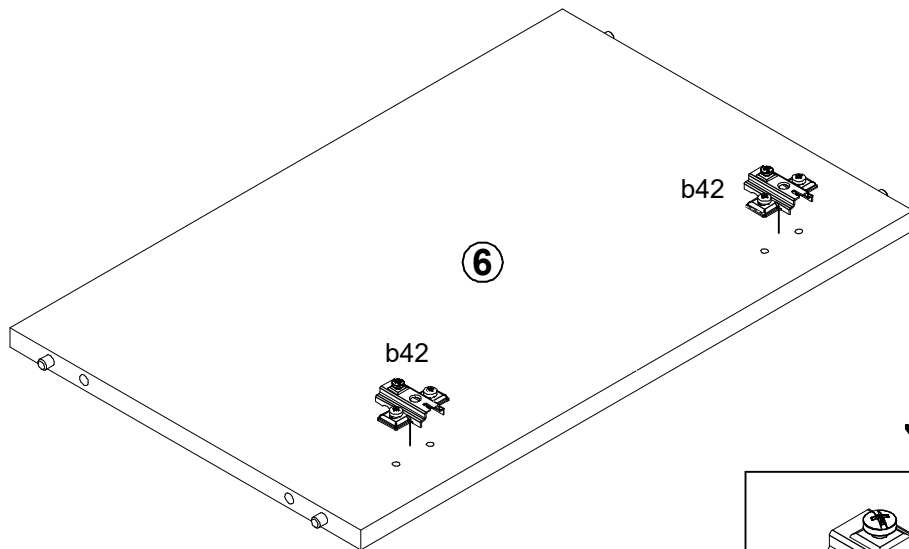


- 2x  b42
- 4x  r1  
Ø15x12 mm #16
- 4x  f1  
Ø8x30 mm

6 ▶

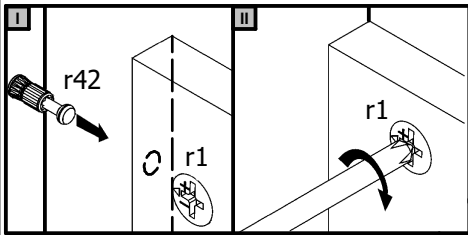
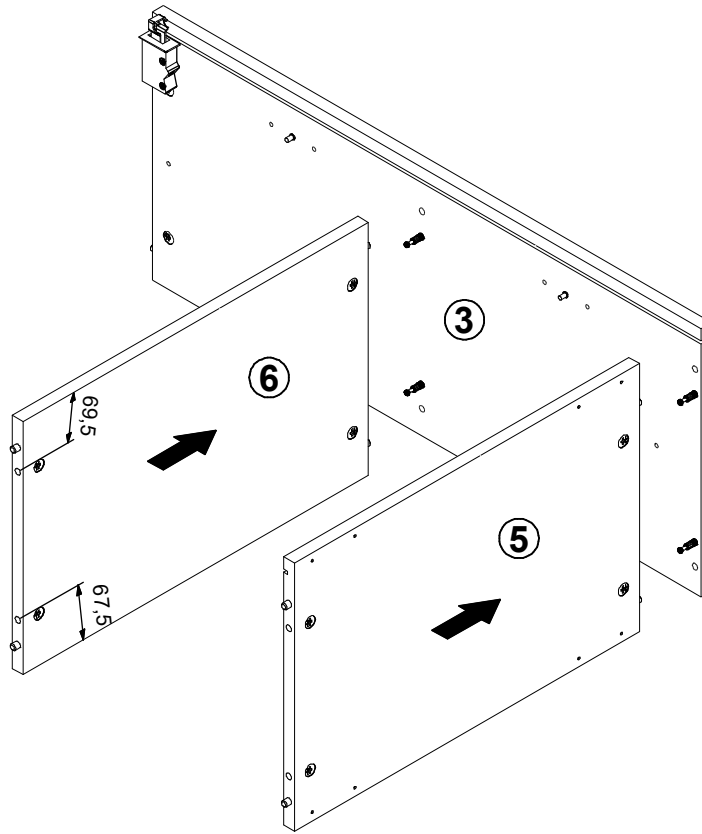


◀ 7

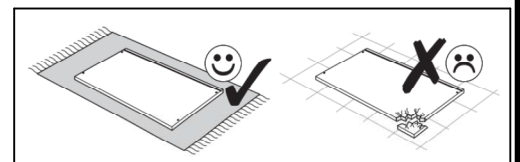
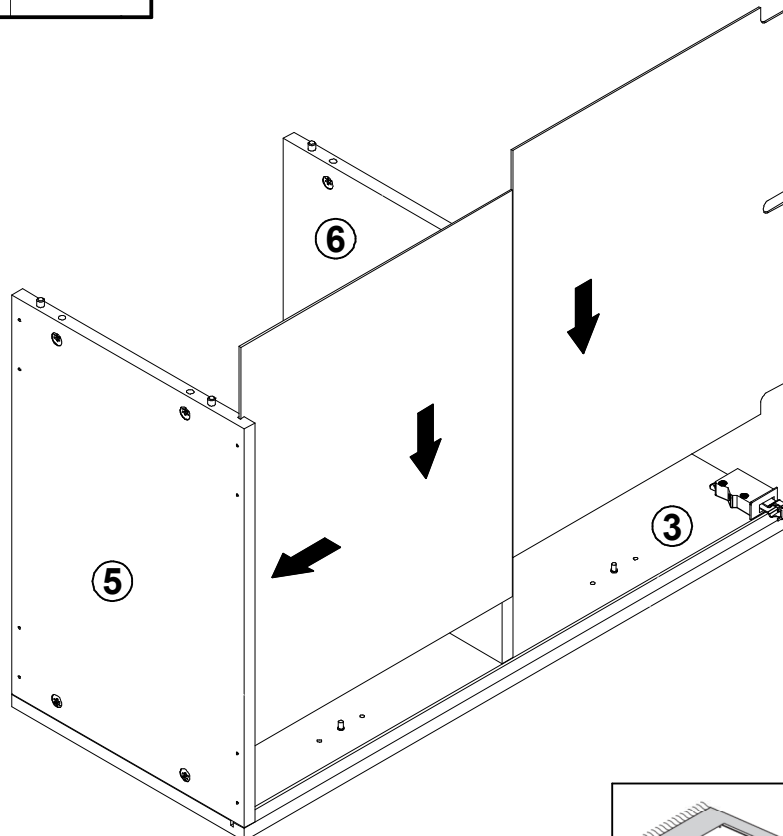




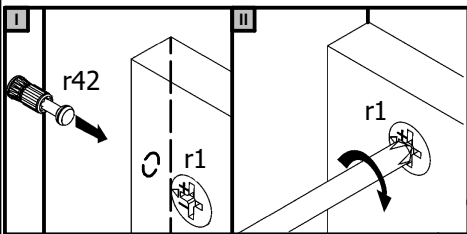
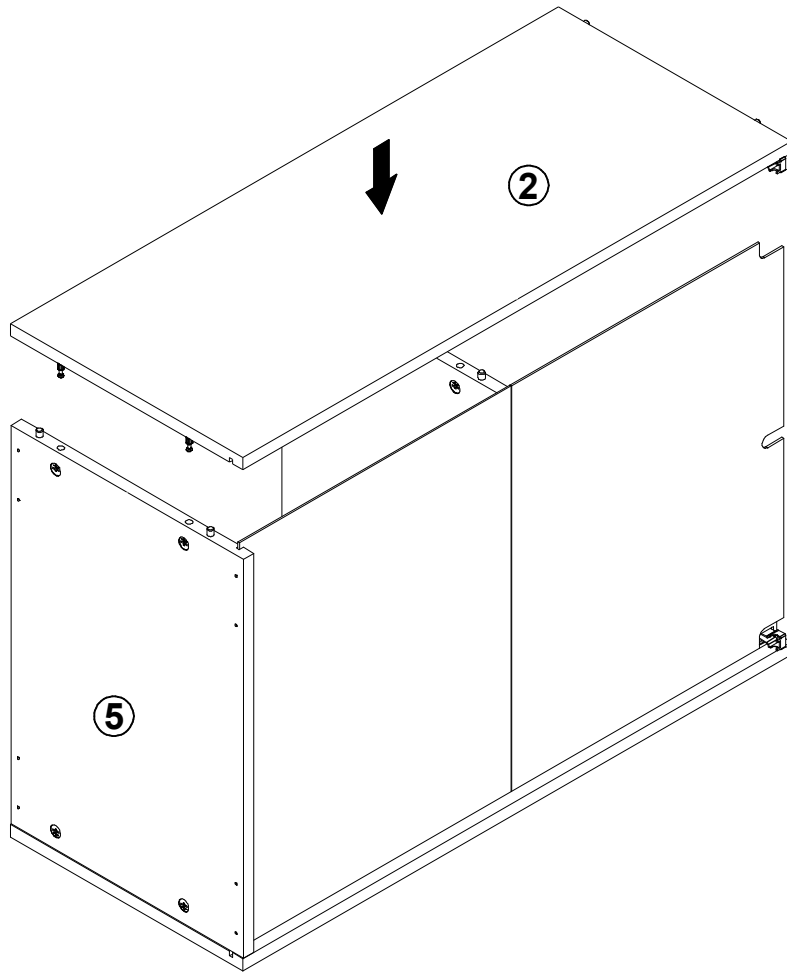
8 ▶



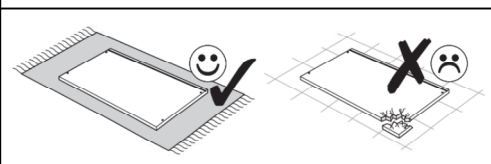
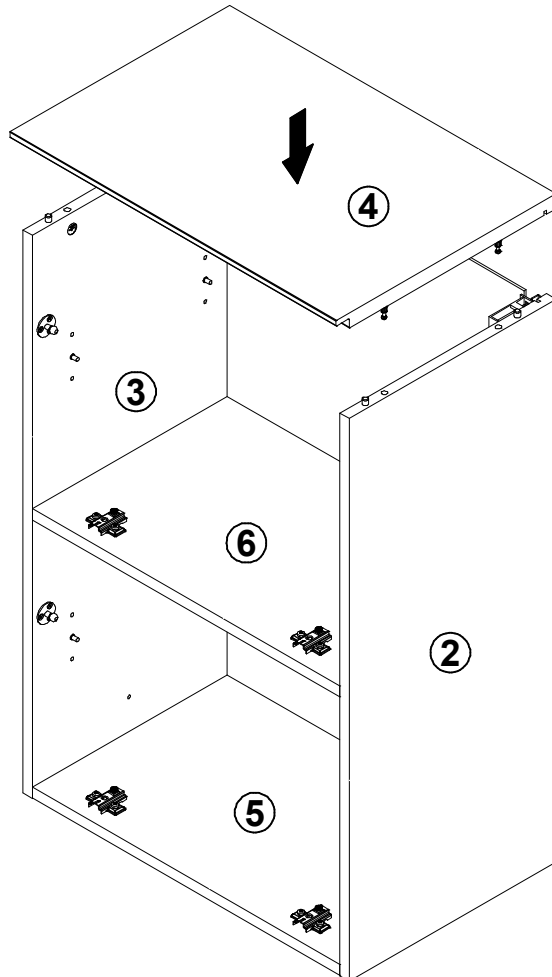
◀ 9




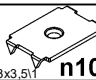

10 ▶

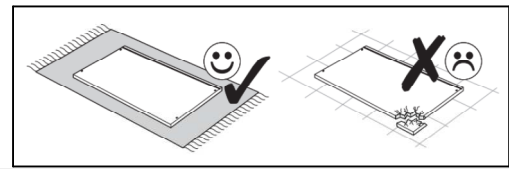
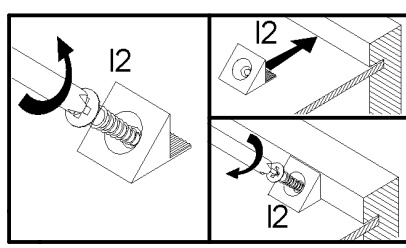
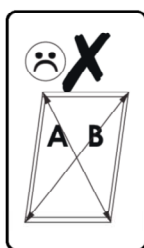
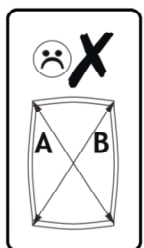
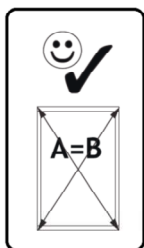
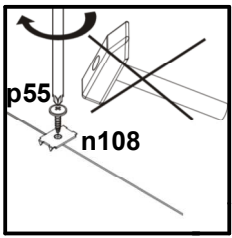
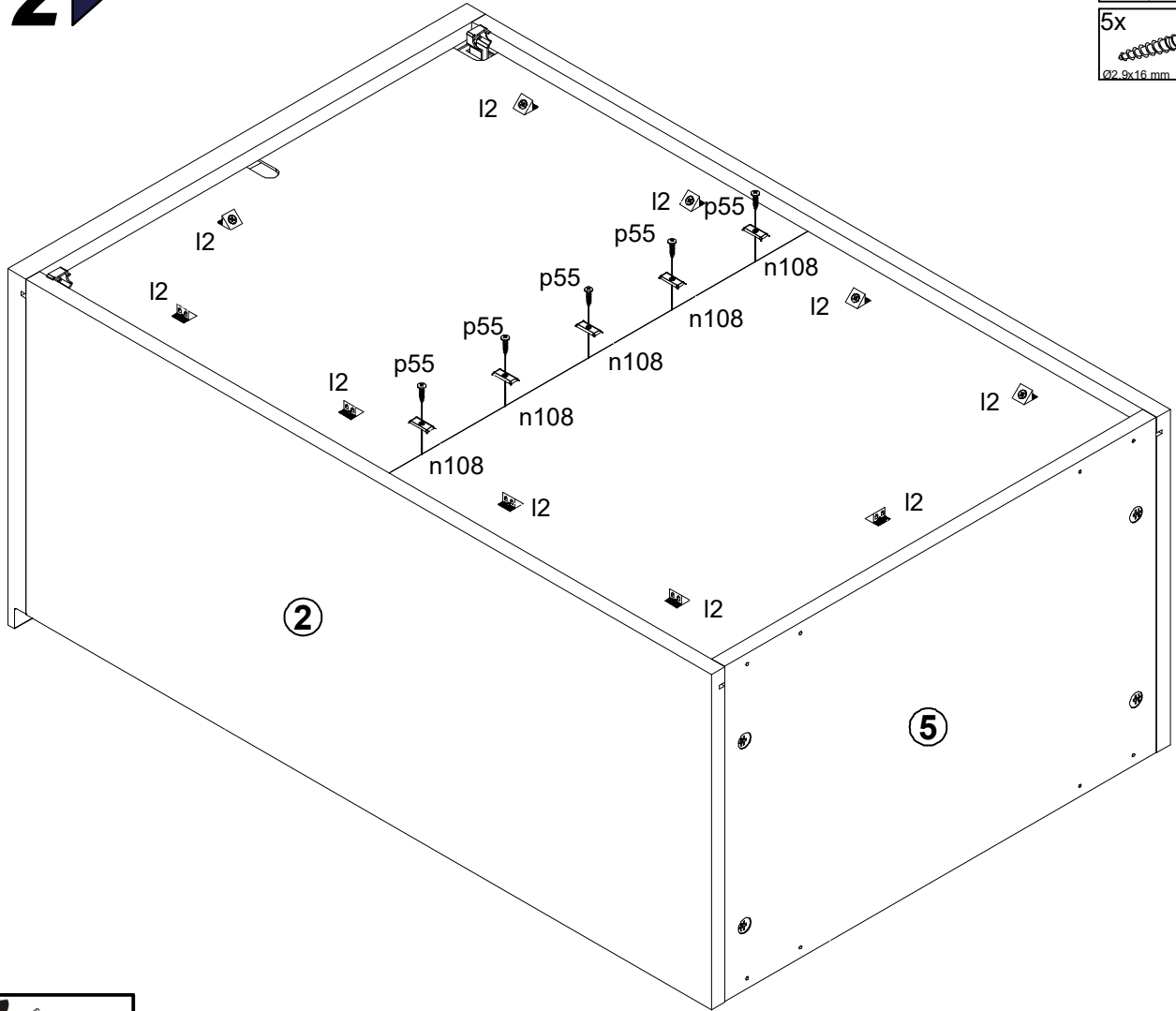


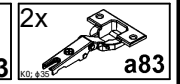
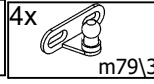
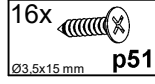
▶ 11



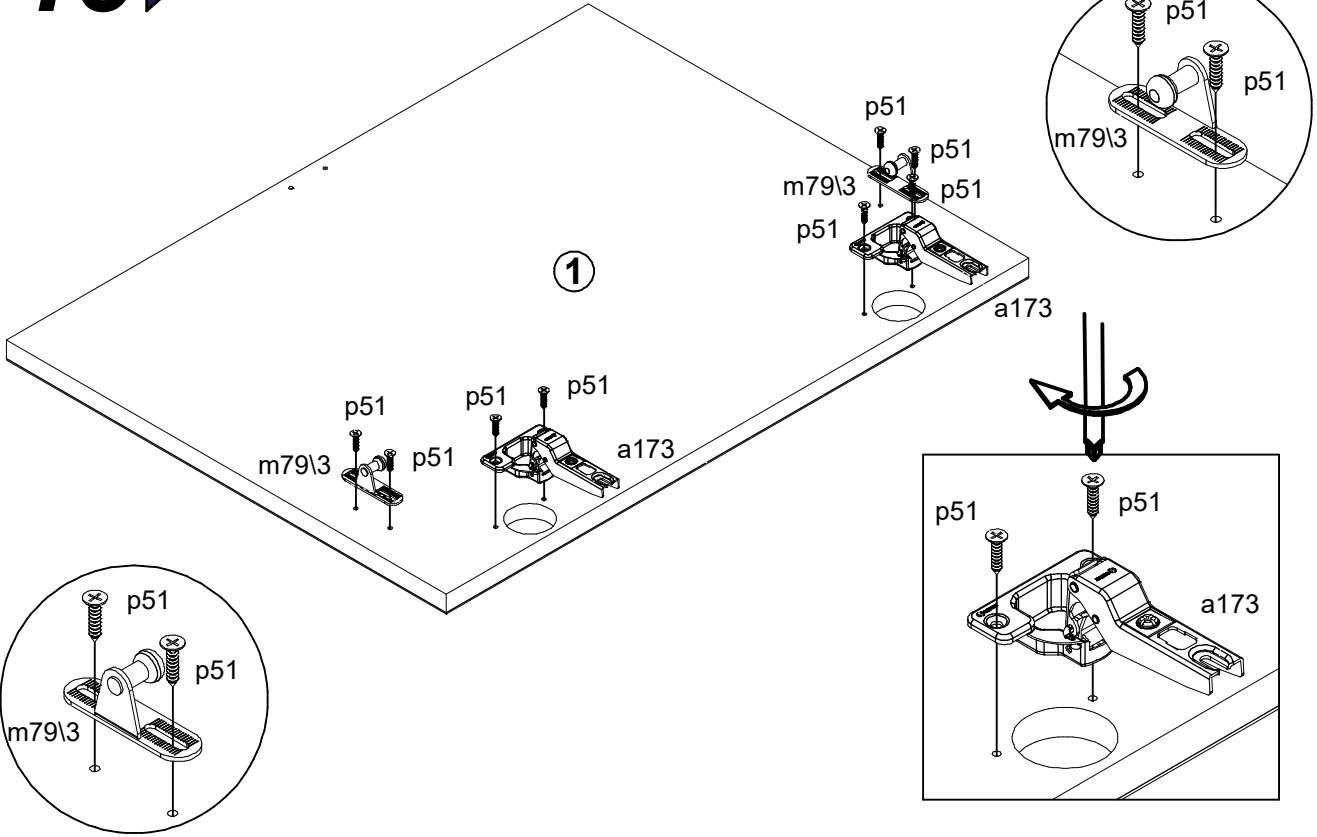
12

- 10x  I2
- 5x  n108  
20x13x3.51
- 5x  p55  
Ø2.9x16 mm

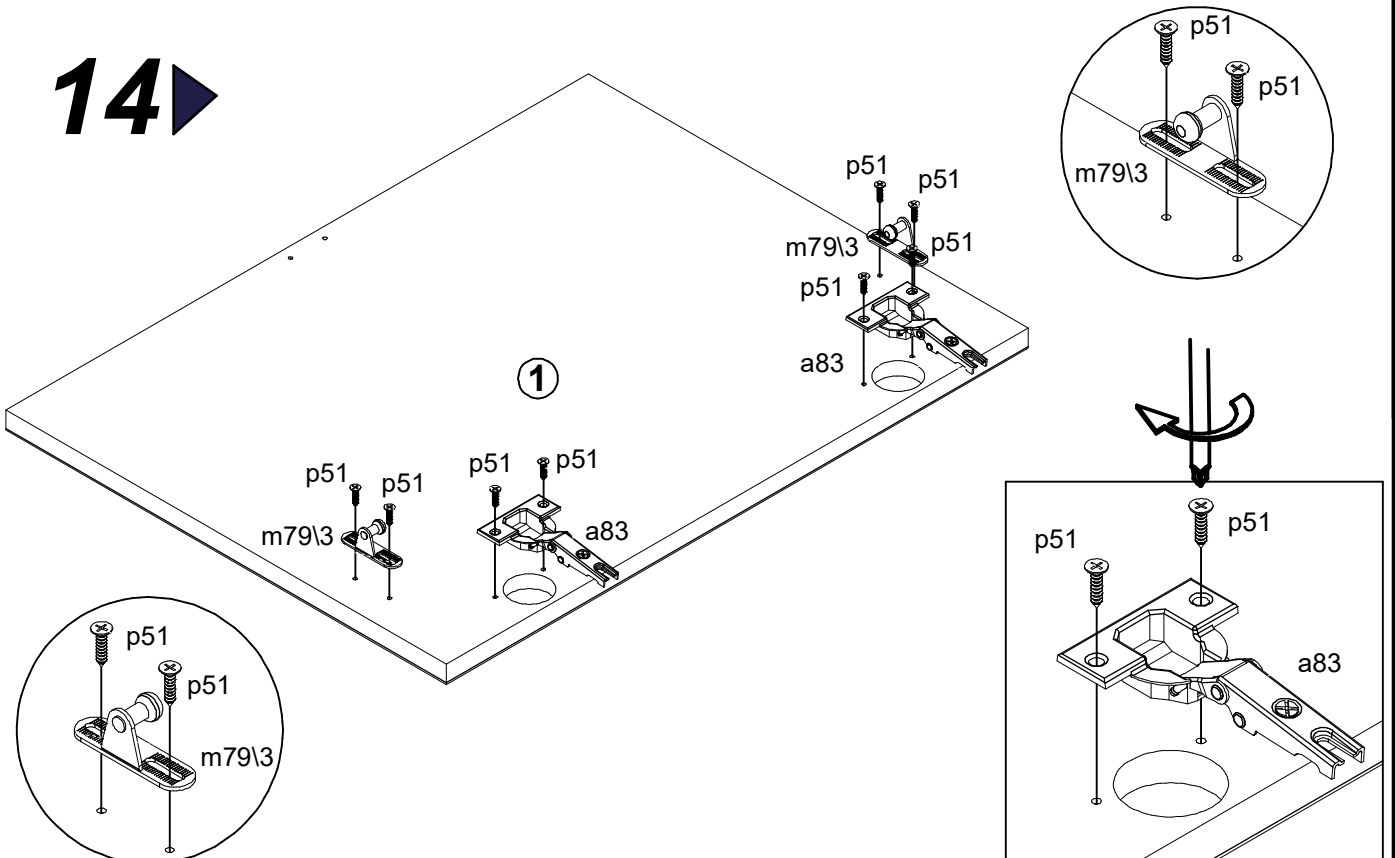




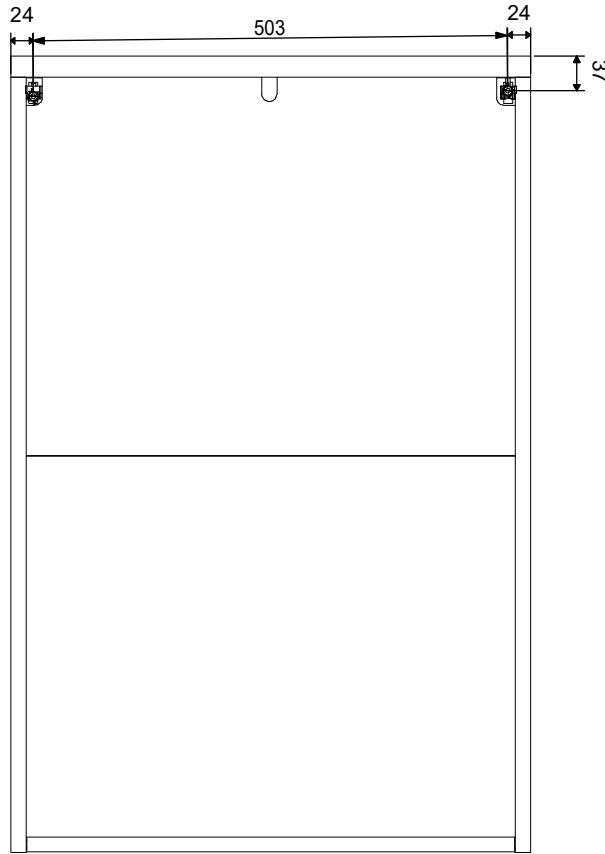
# 13



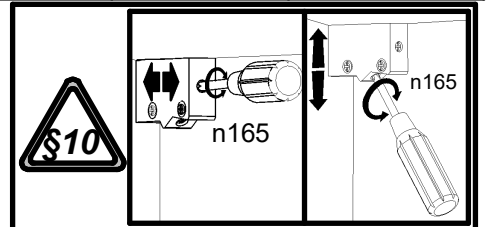
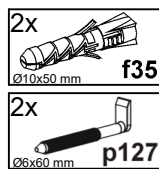
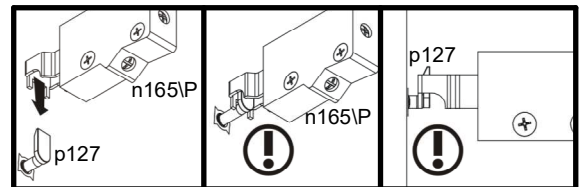
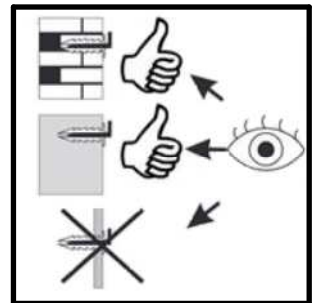
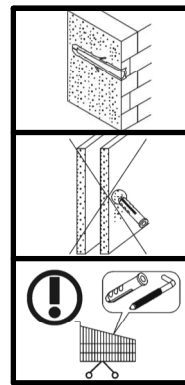
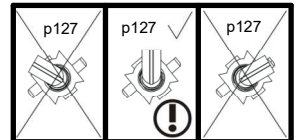
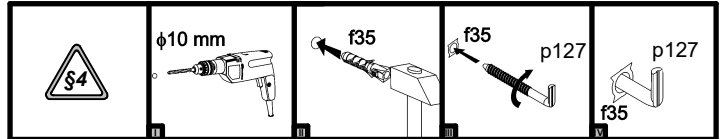
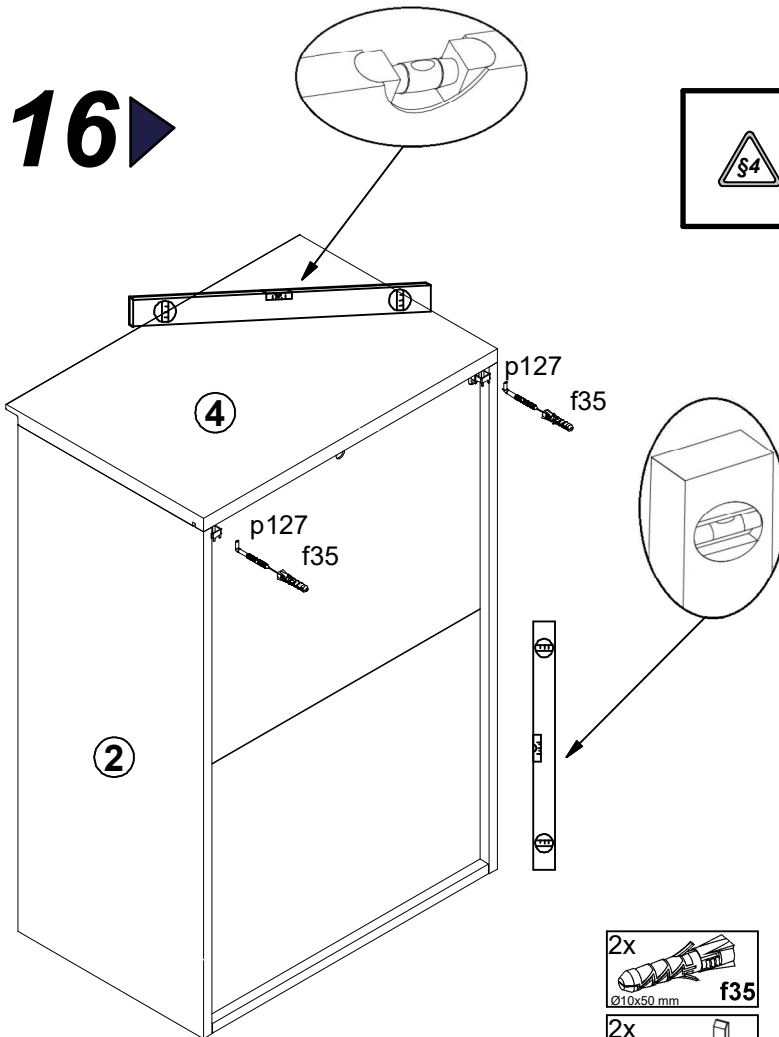
# 14




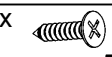
15 ▶

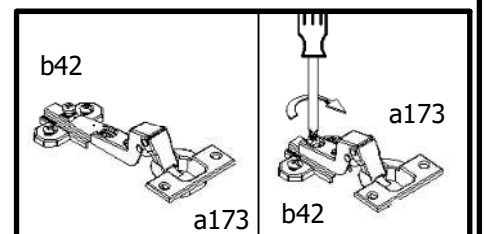
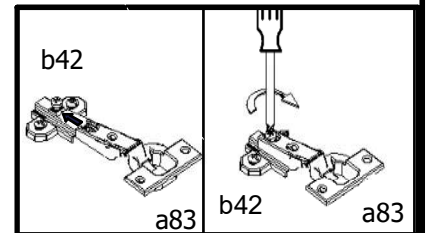
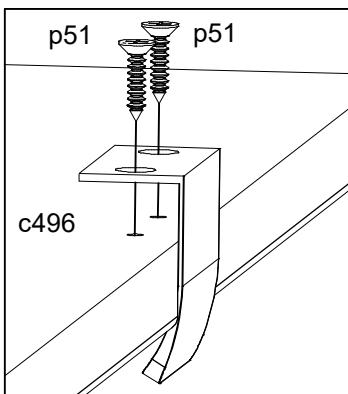
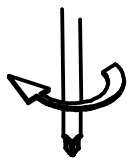
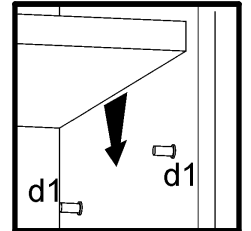
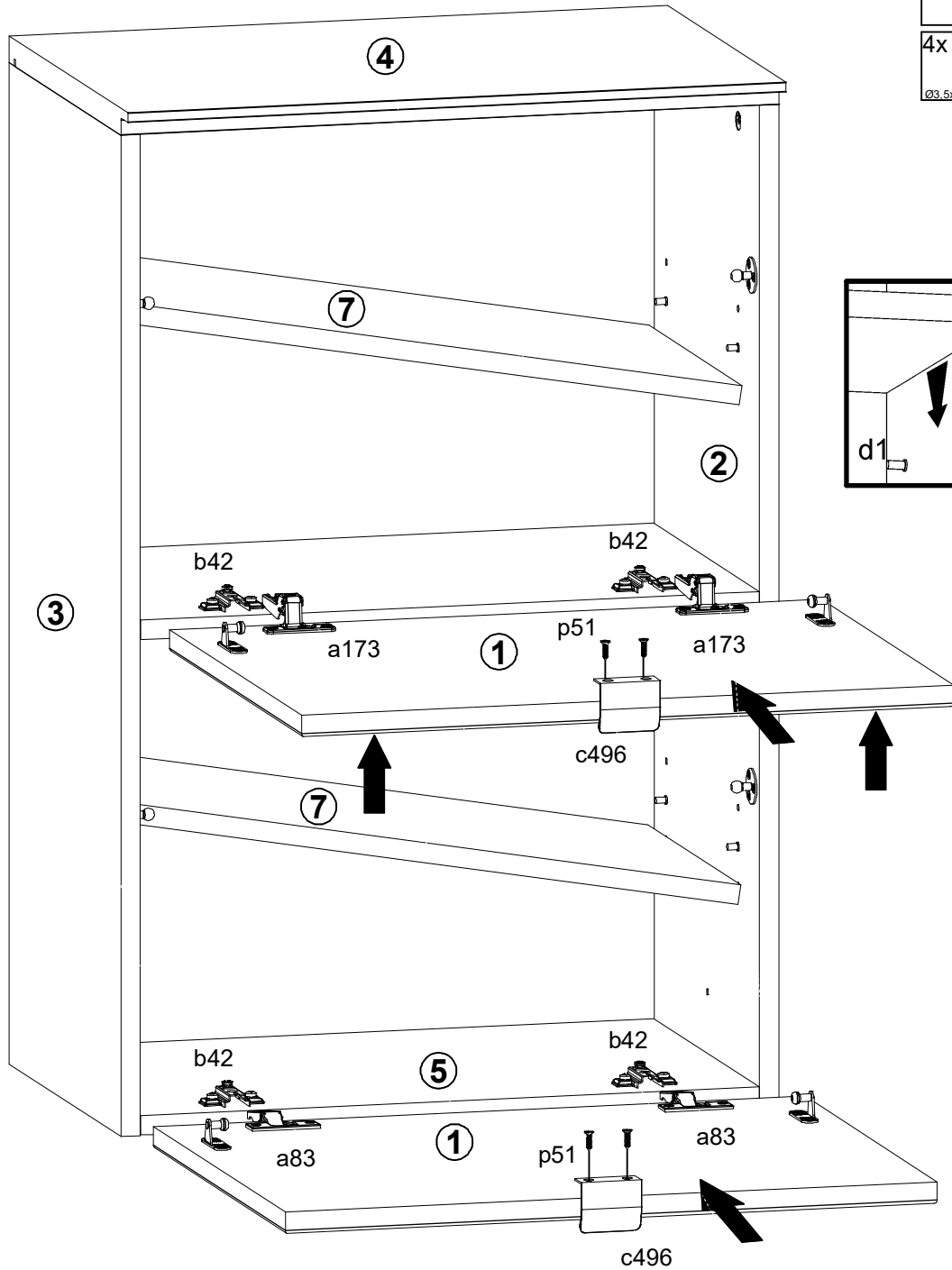


16 ▶

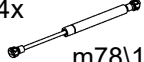



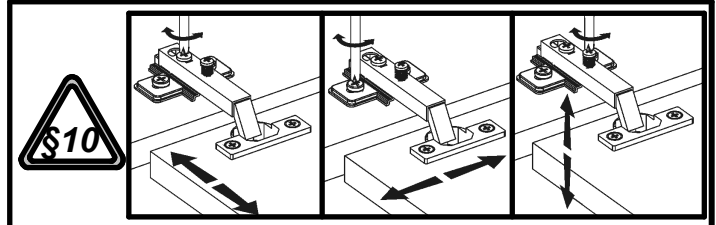
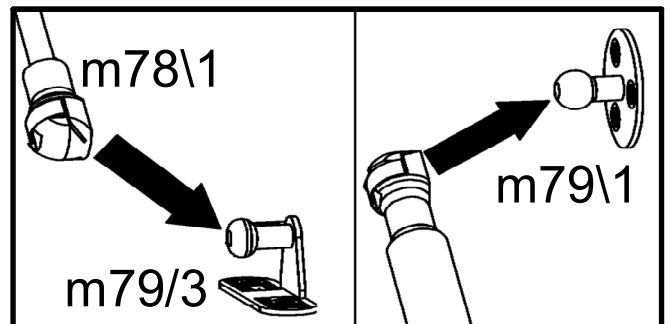
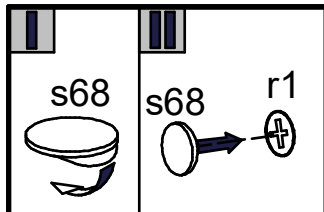
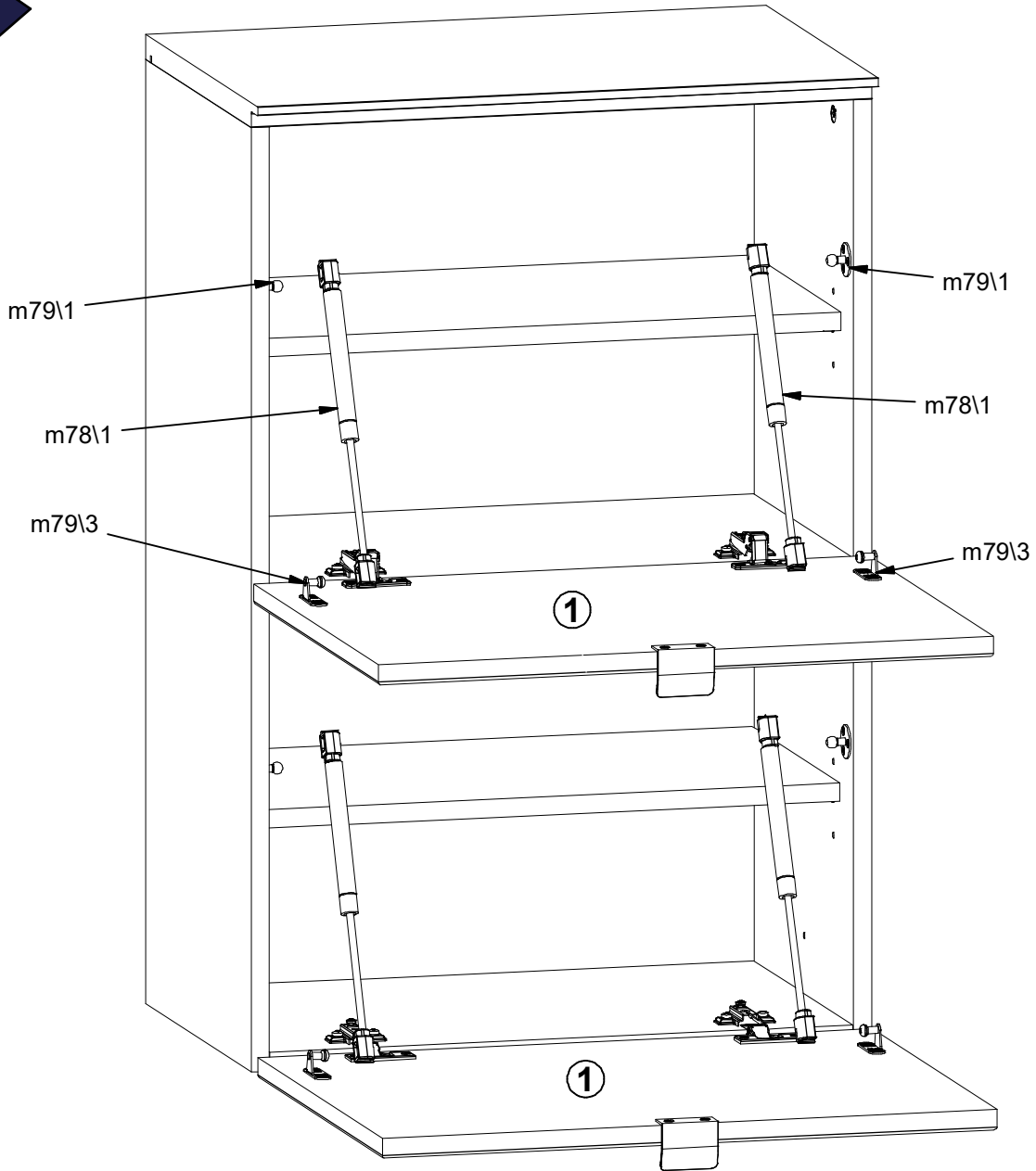
17

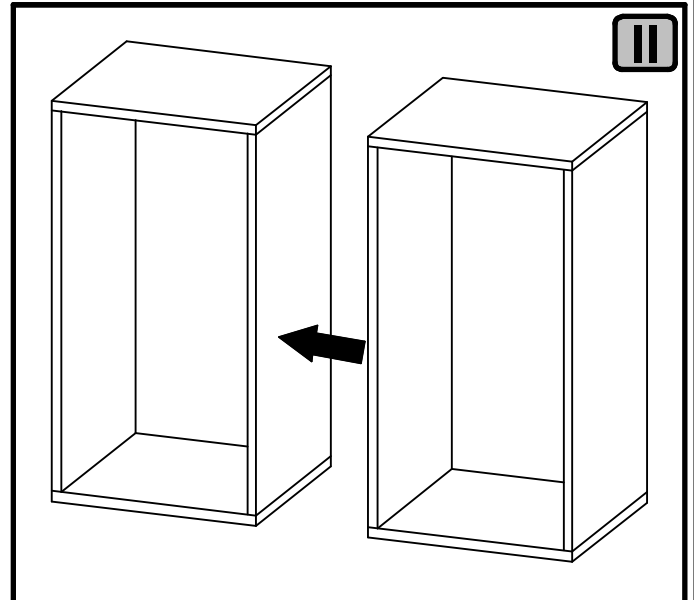
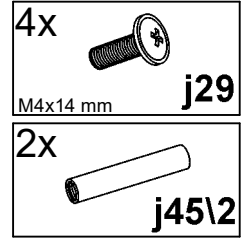
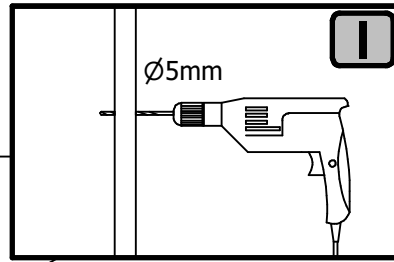
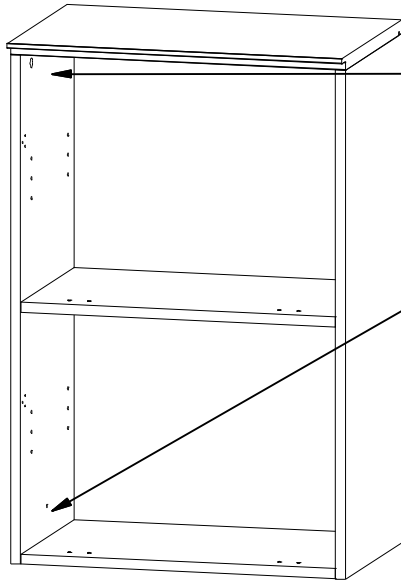
- 2x  c496
- 4x  p51  
Ø3.5x15 mm



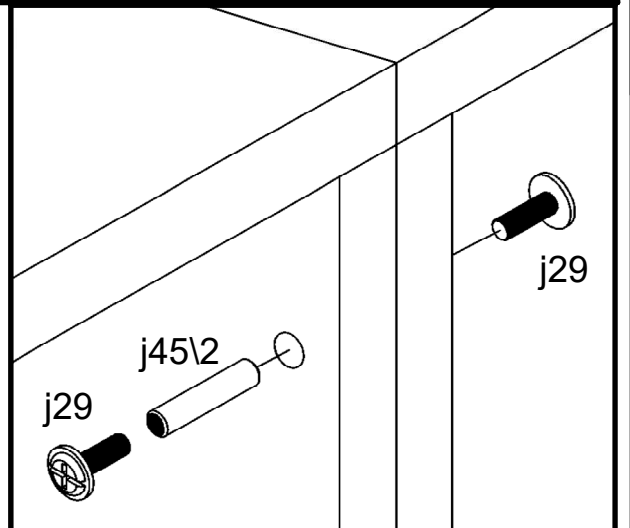
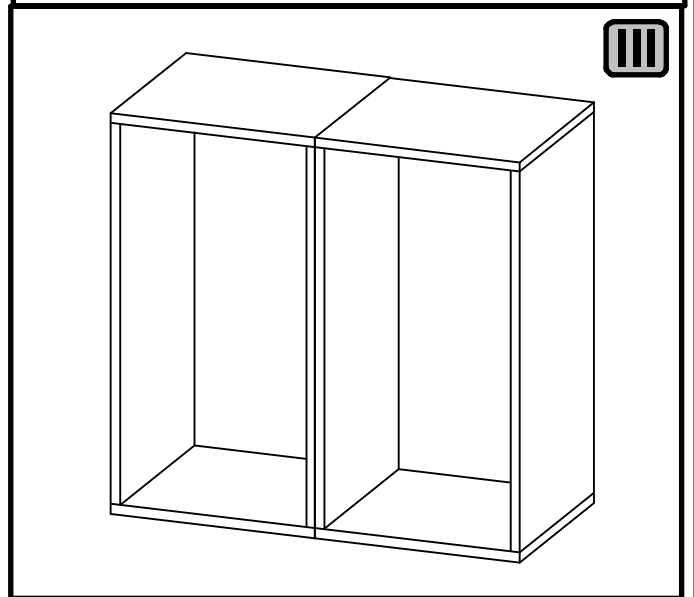
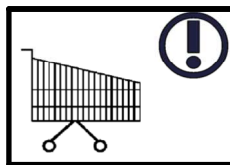
18 ▶

- 4x  m78\1
- 12x  s68  
Ø 20mm

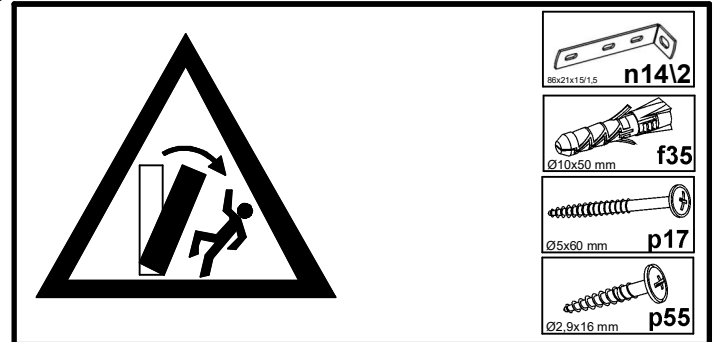
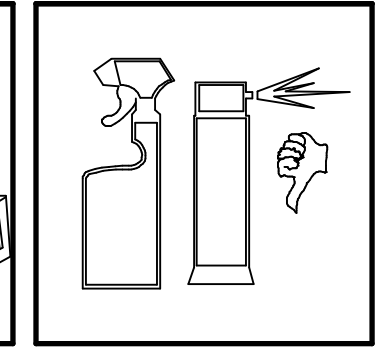
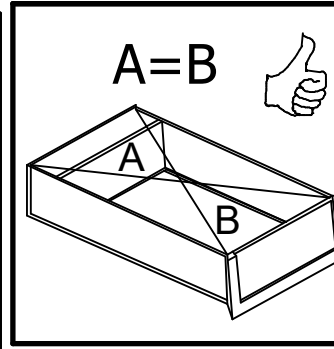
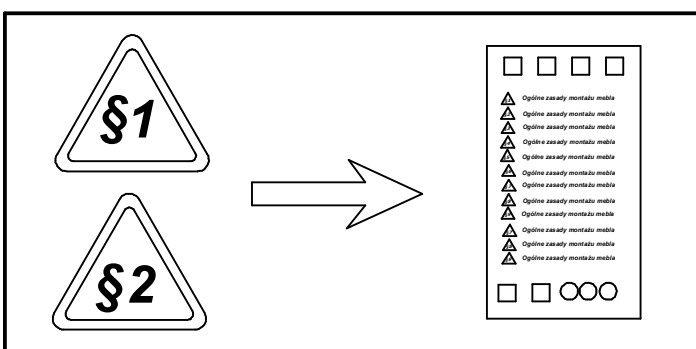
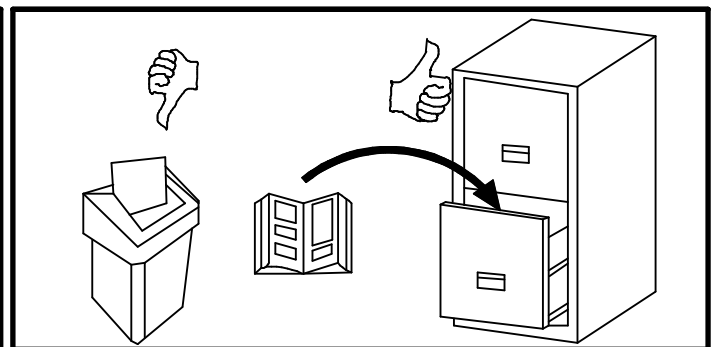
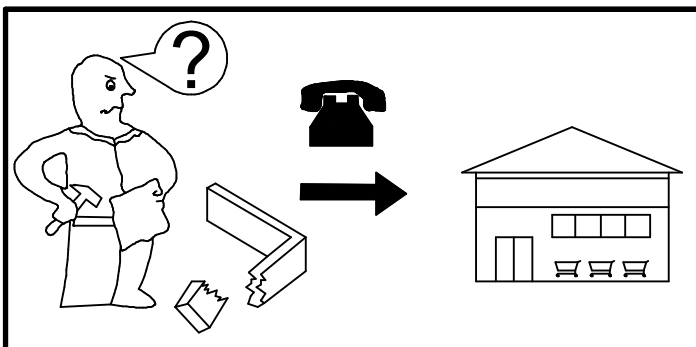
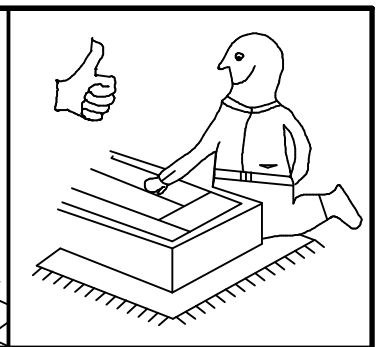
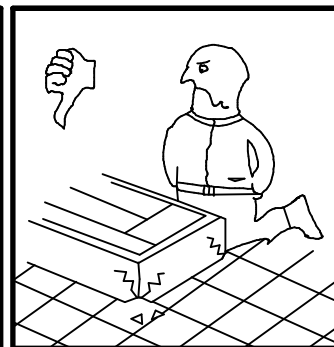
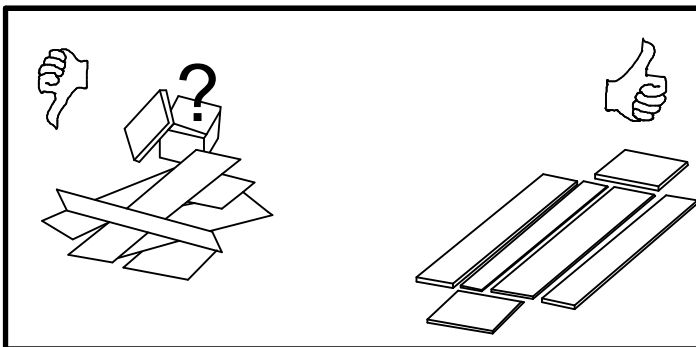


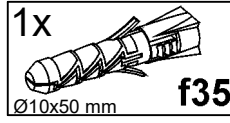
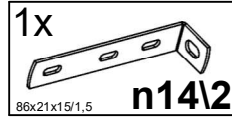
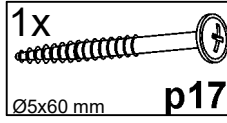
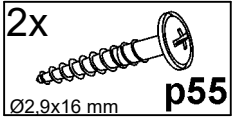
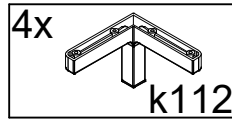
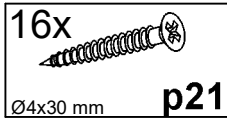


# OPTION



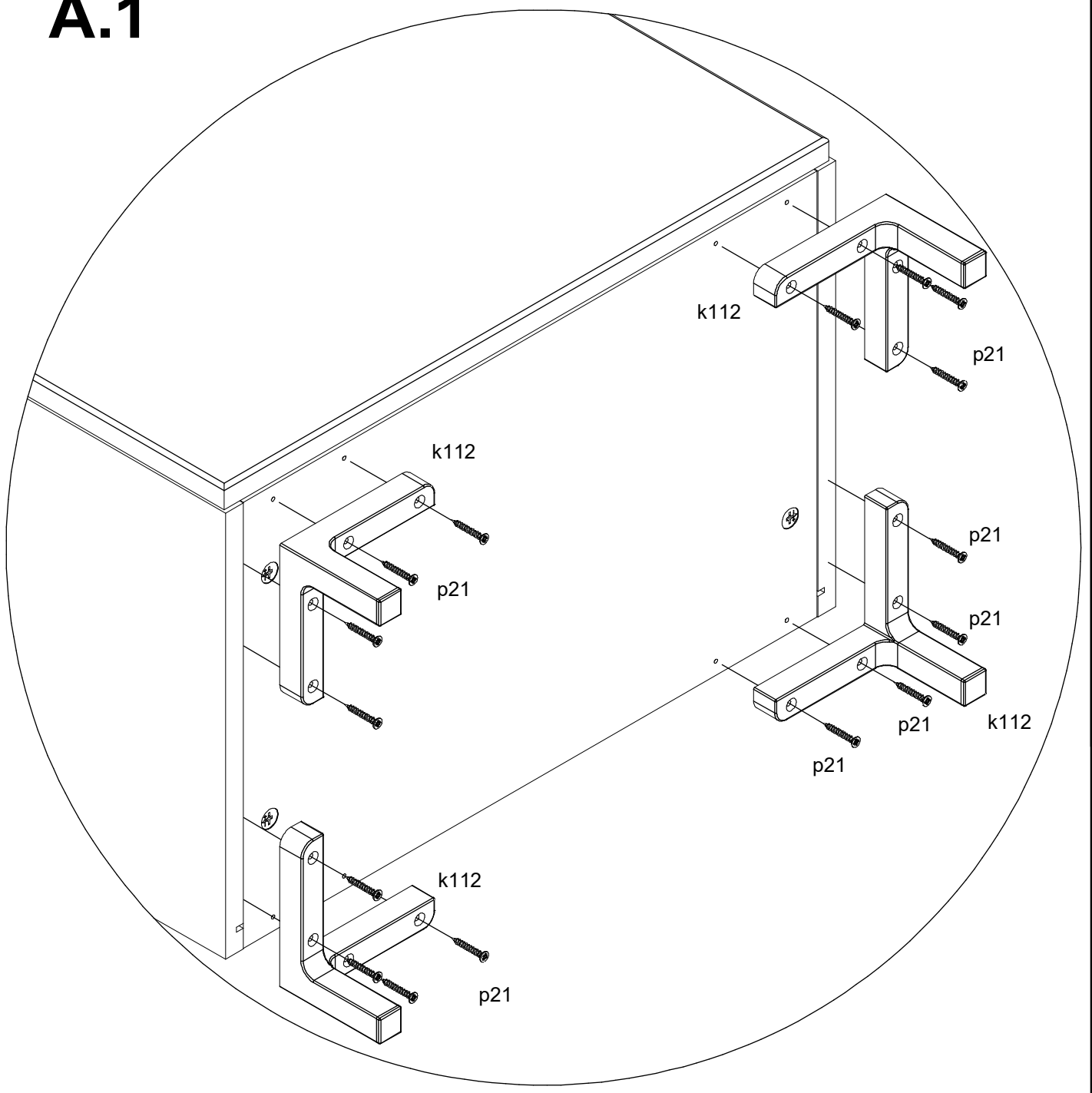


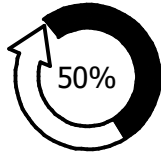
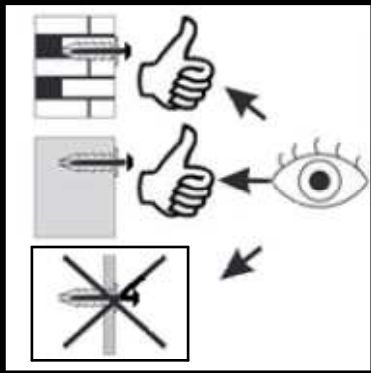
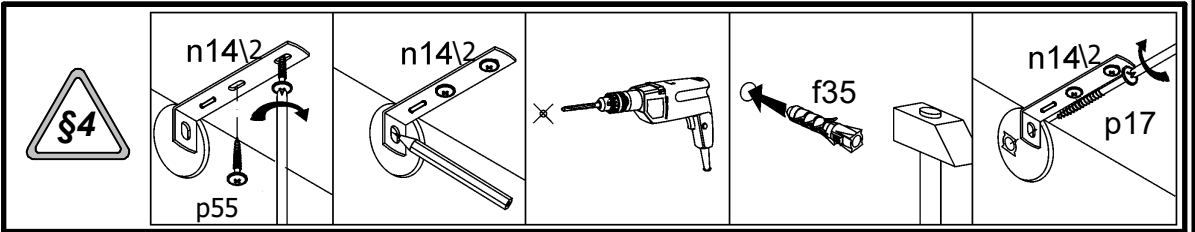




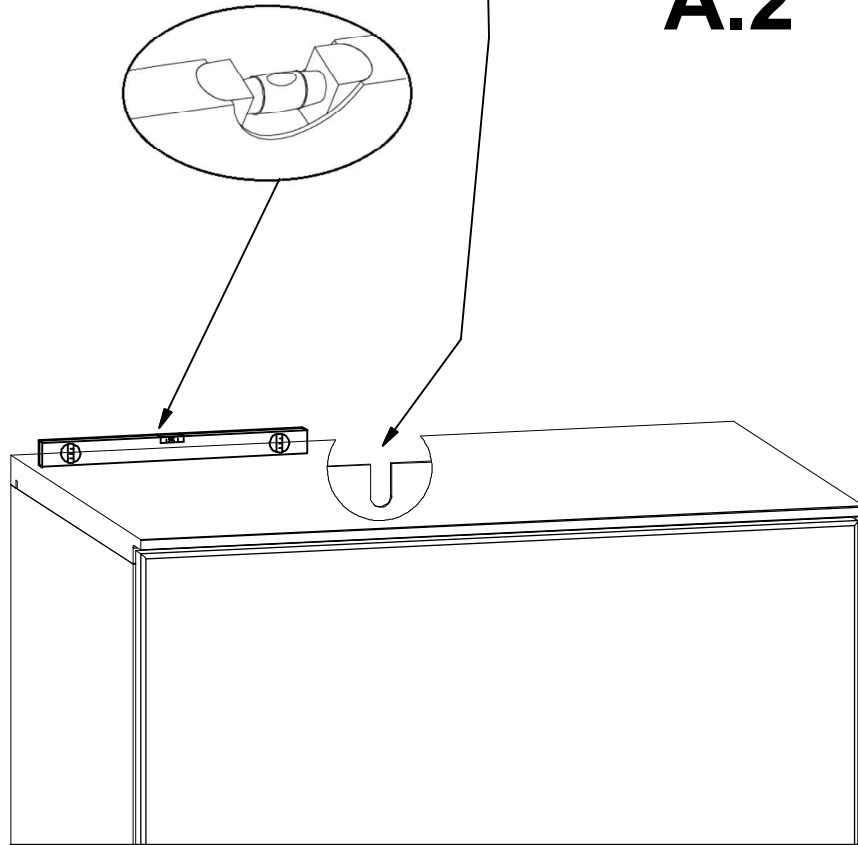
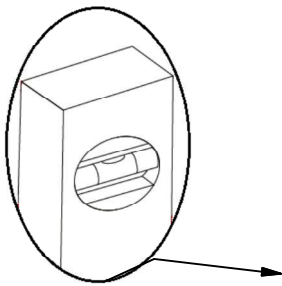
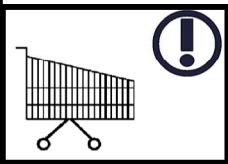
30 H8 00 01  
 30 H8 99 02  
 30 H8 99 15  
 30 H8 99 16  
 30 H8 99 20  
 30 H8 99 21


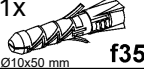
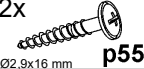
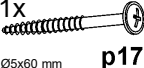
## A.1





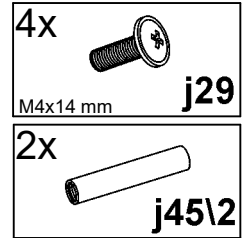
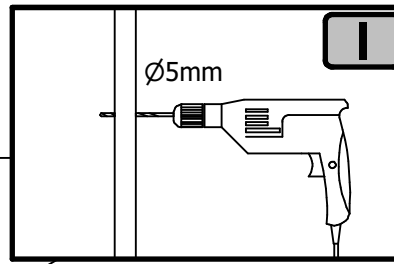
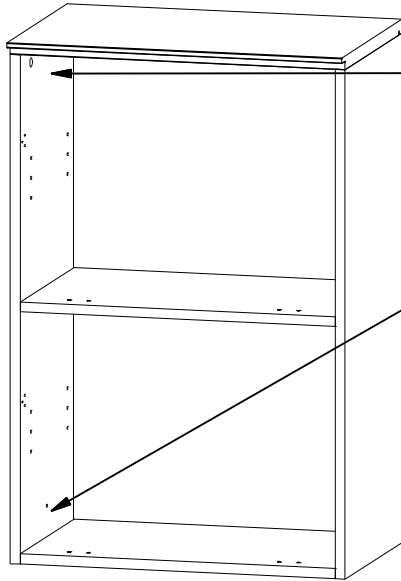
A.2



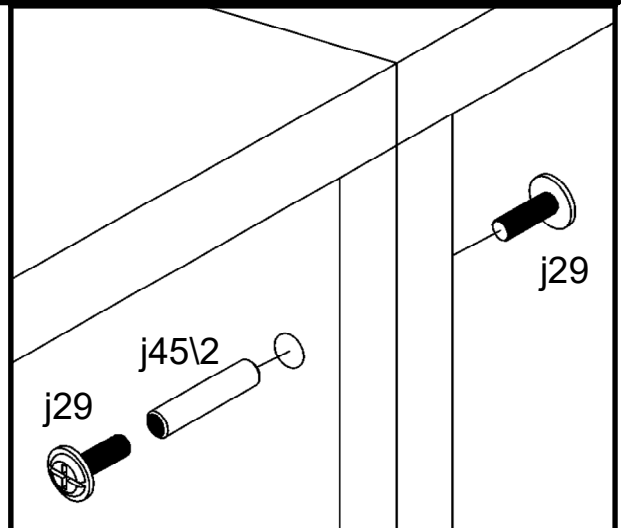
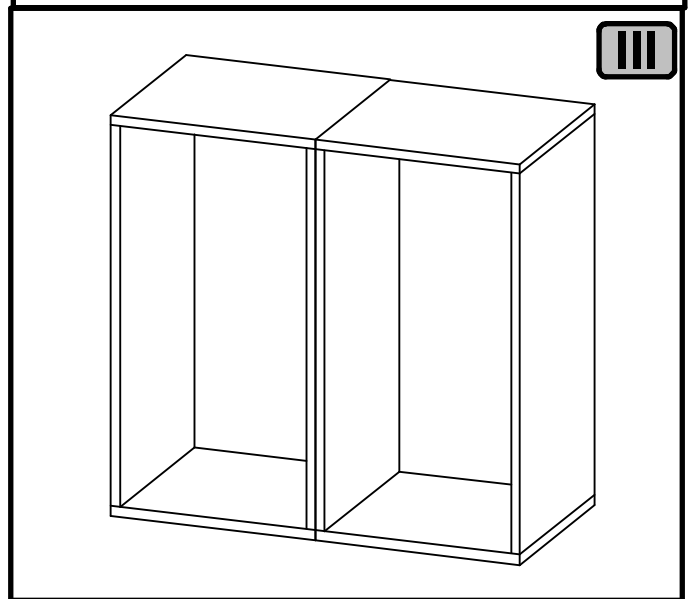
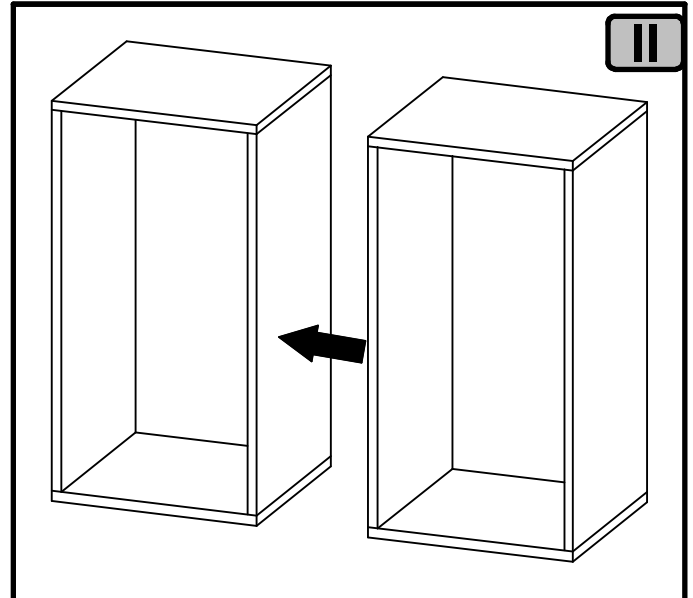
- 1x  n14\2  
88x21x19/1,5
- 1x  f35  
Ø10x50 mm
- 2x  p55  
Ø2.9x16 mm
- 1x  p17  
Ø5x60 mm

**A****NOGA PLASTIK****99 03 01 95**

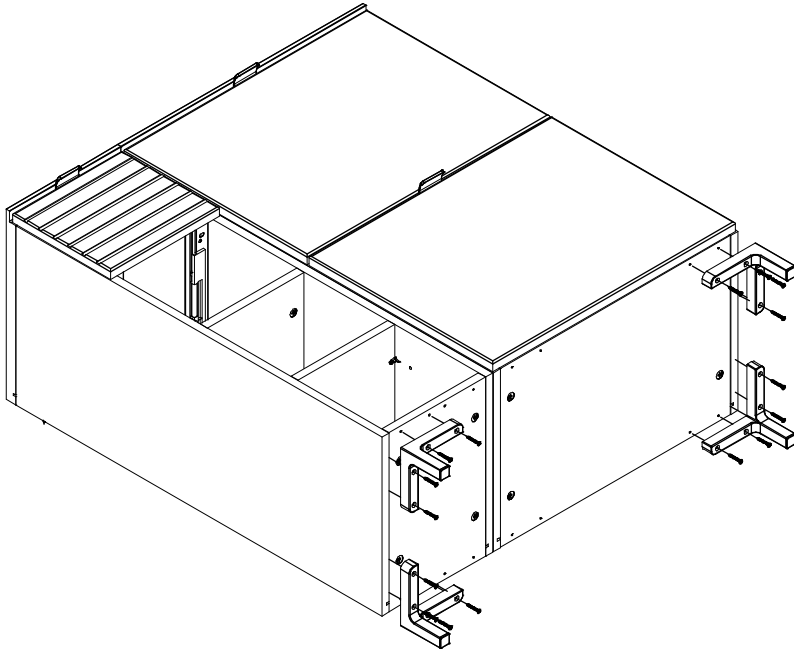
4 / 7

**B.1**

- 30 H8 99 90
- 30 H8 99 91
- 30 H8 99 80
- 30 H8 99 81
- 30 H8 99 82
- 30 H8 99 83
- 30 H8 99 84
- 30 H8 99 85



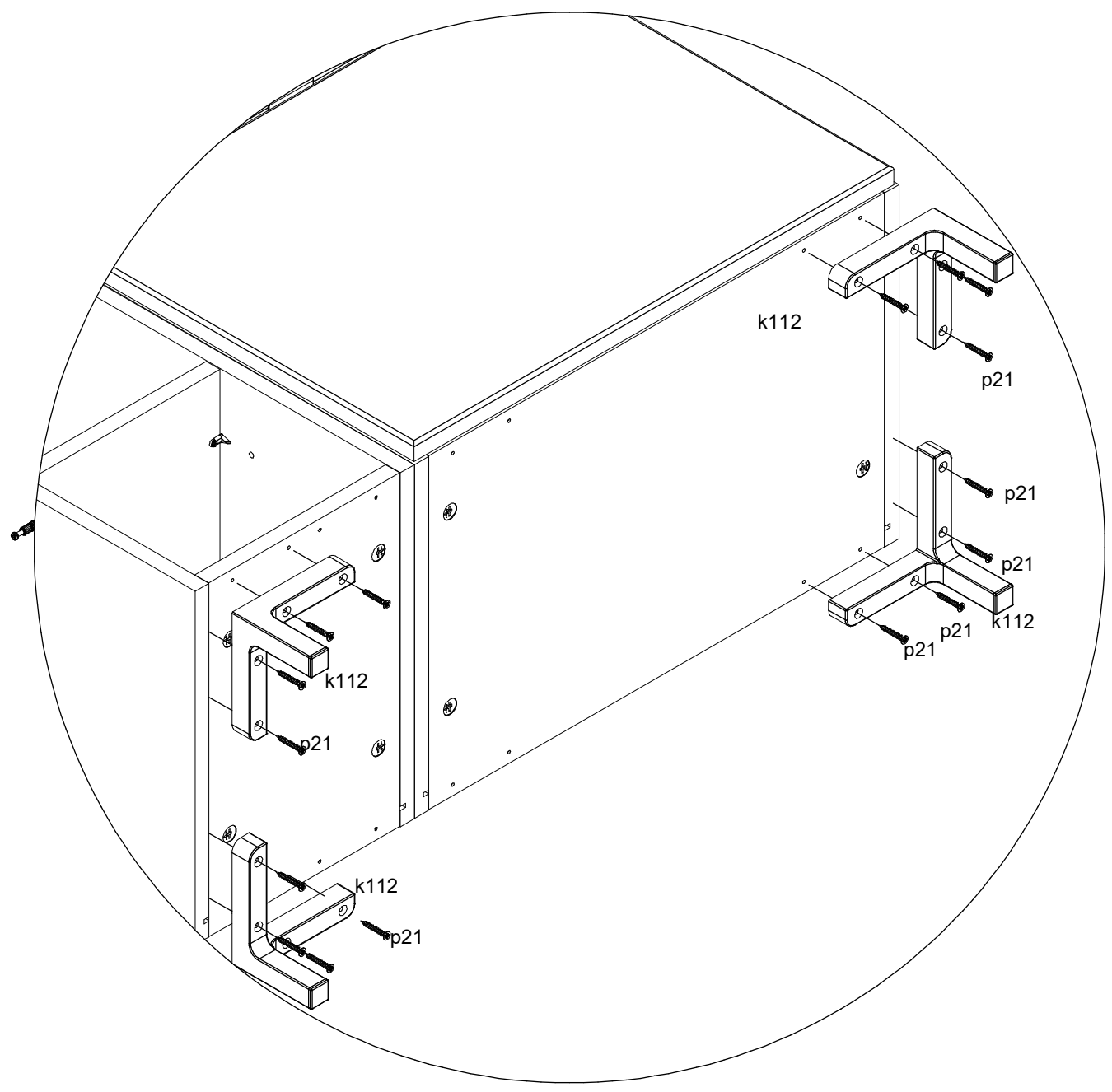
B.2



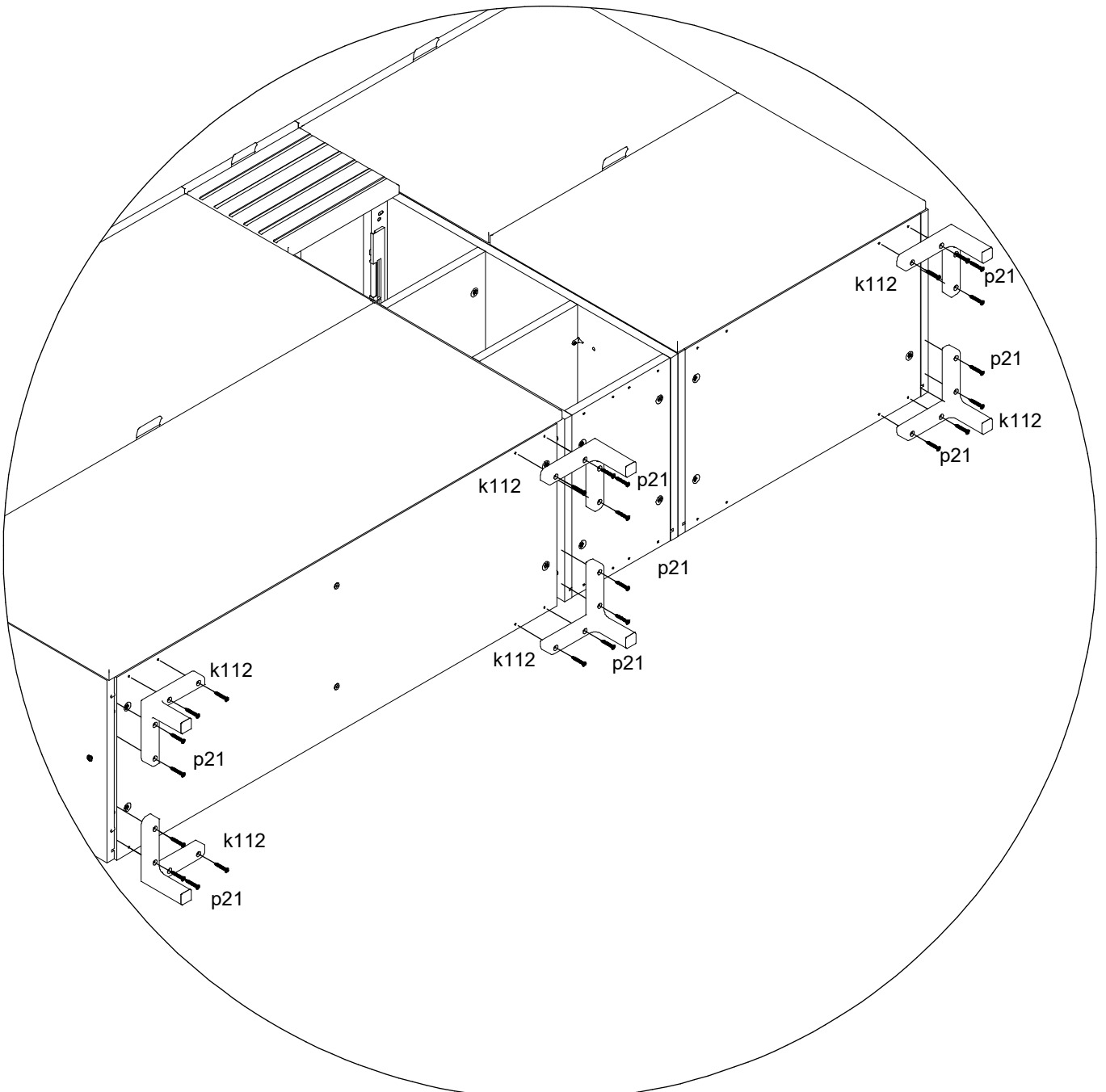
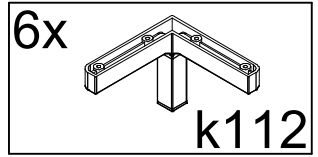
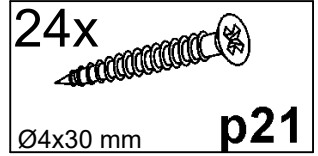
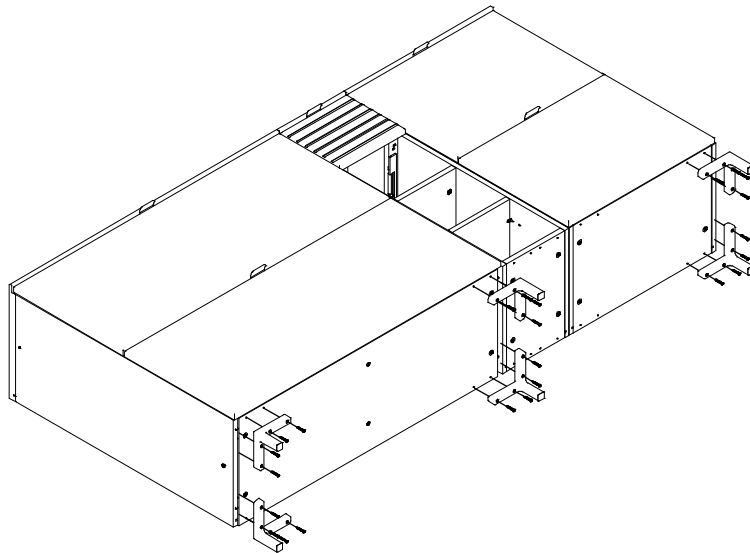
16x  
Ø4x30 mm  
p21

4x  
k112

This inset provides a detailed view of the hardware. It shows a screw with a diameter of 4mm and a length of 30mm, labeled 'p21'. Below it, four L-shaped corner brackets, labeled 'k112', are shown in their assembled state.

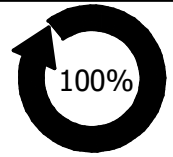
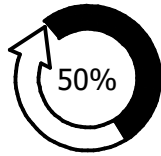
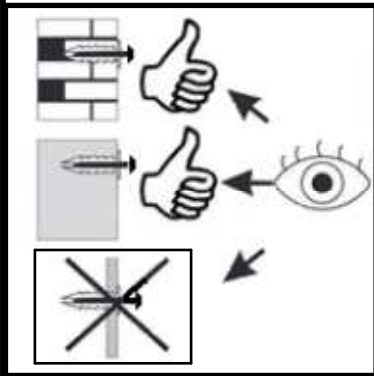
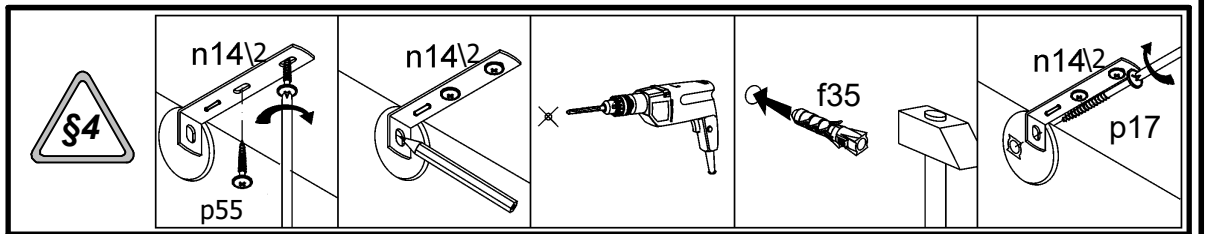
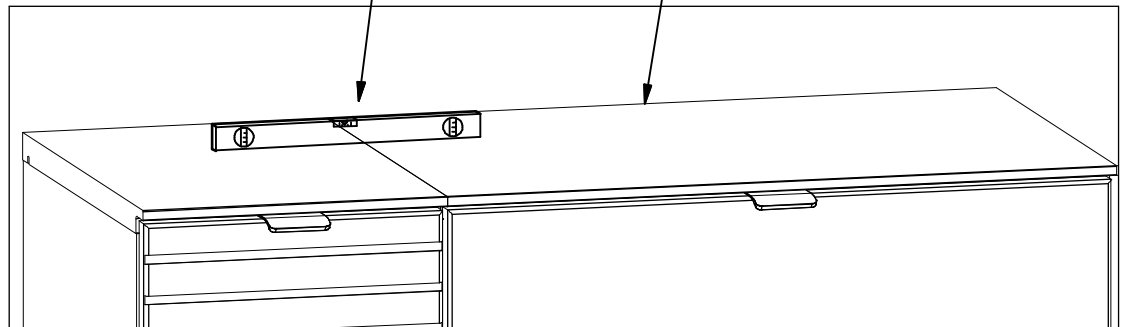
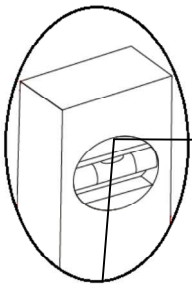
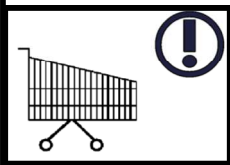
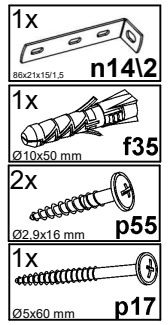
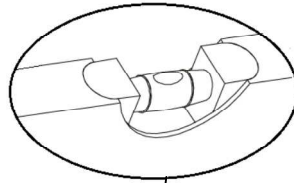


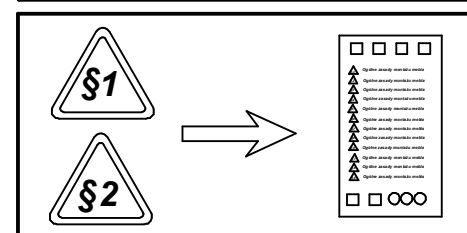
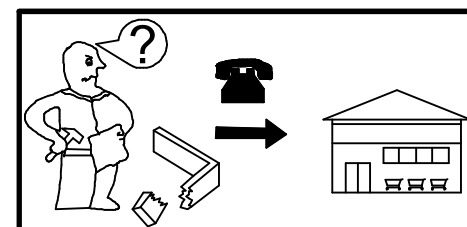
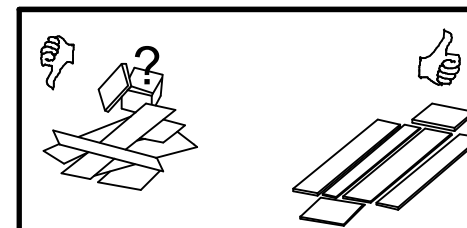
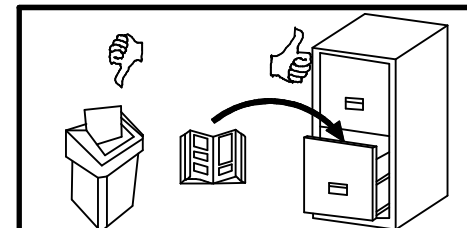
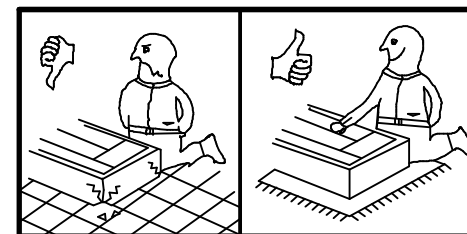
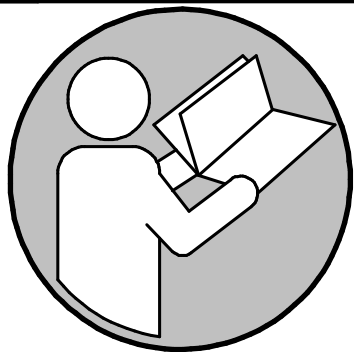
B.2



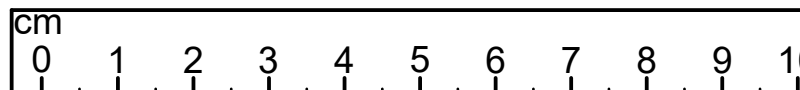
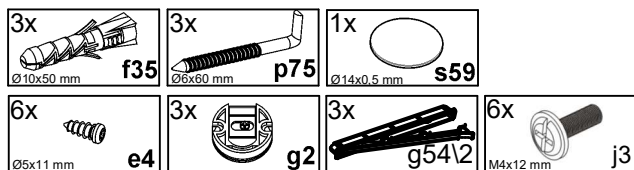
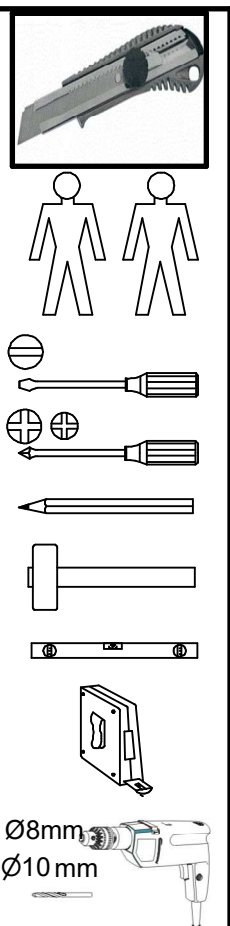
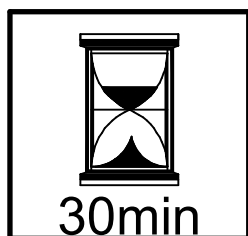
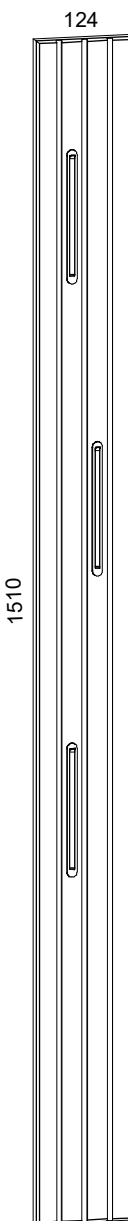
**A****NOGA PLASTIK****99 03 01 95**

7 / 7

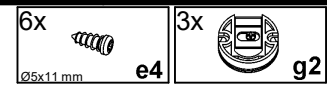
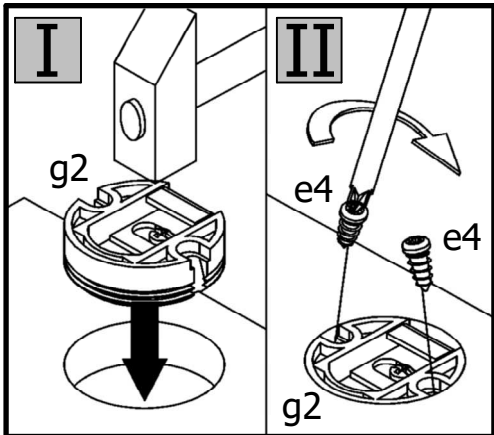
**B.3**



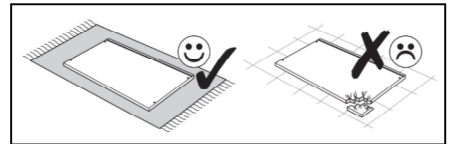
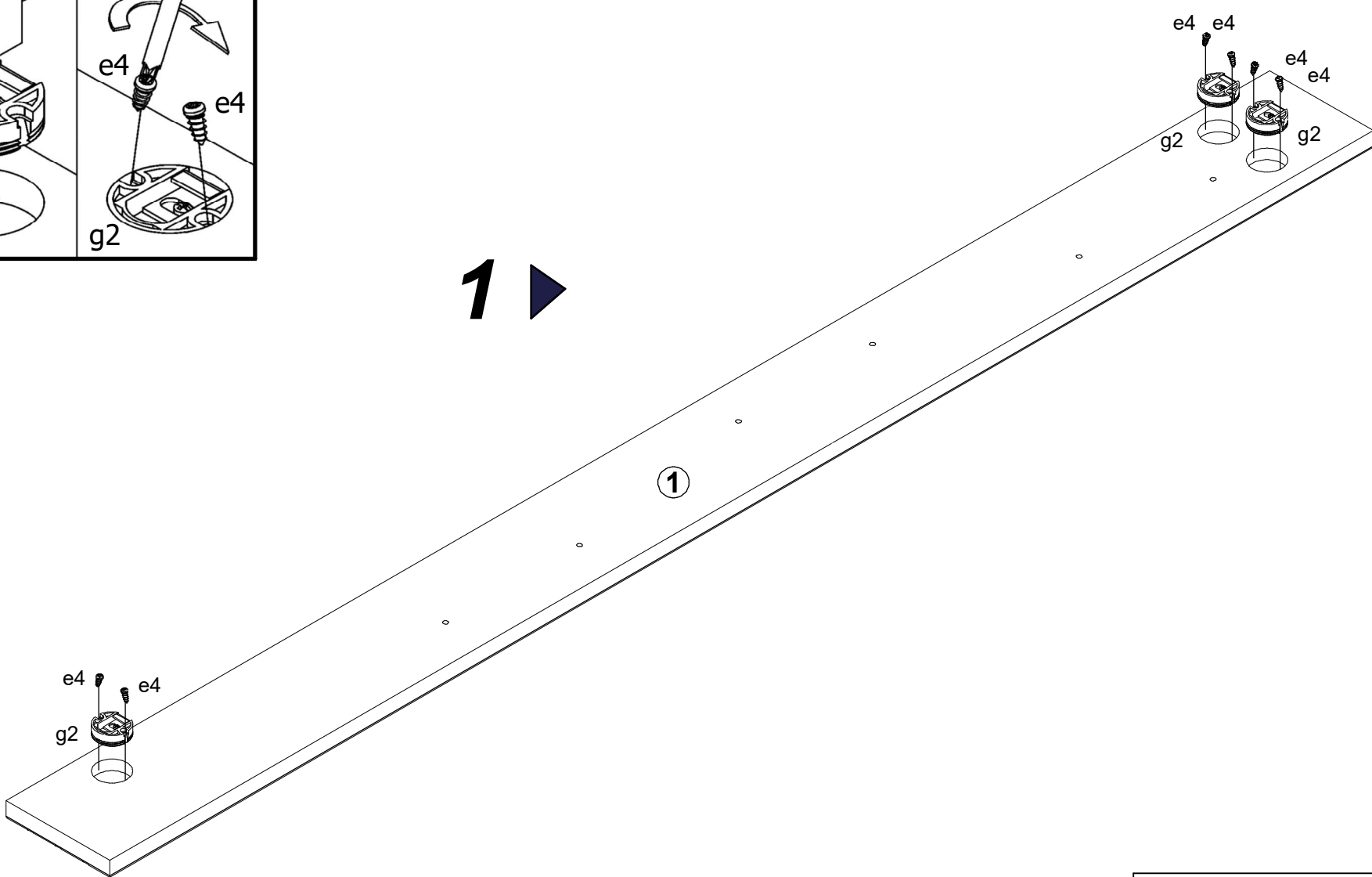
A	B1	B2	C1	C2	C3	C4	D
1	M278-4001	-	1510	124	19	1	1/1



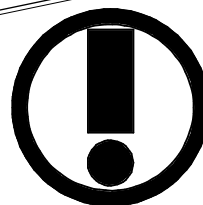
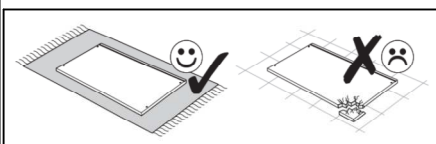
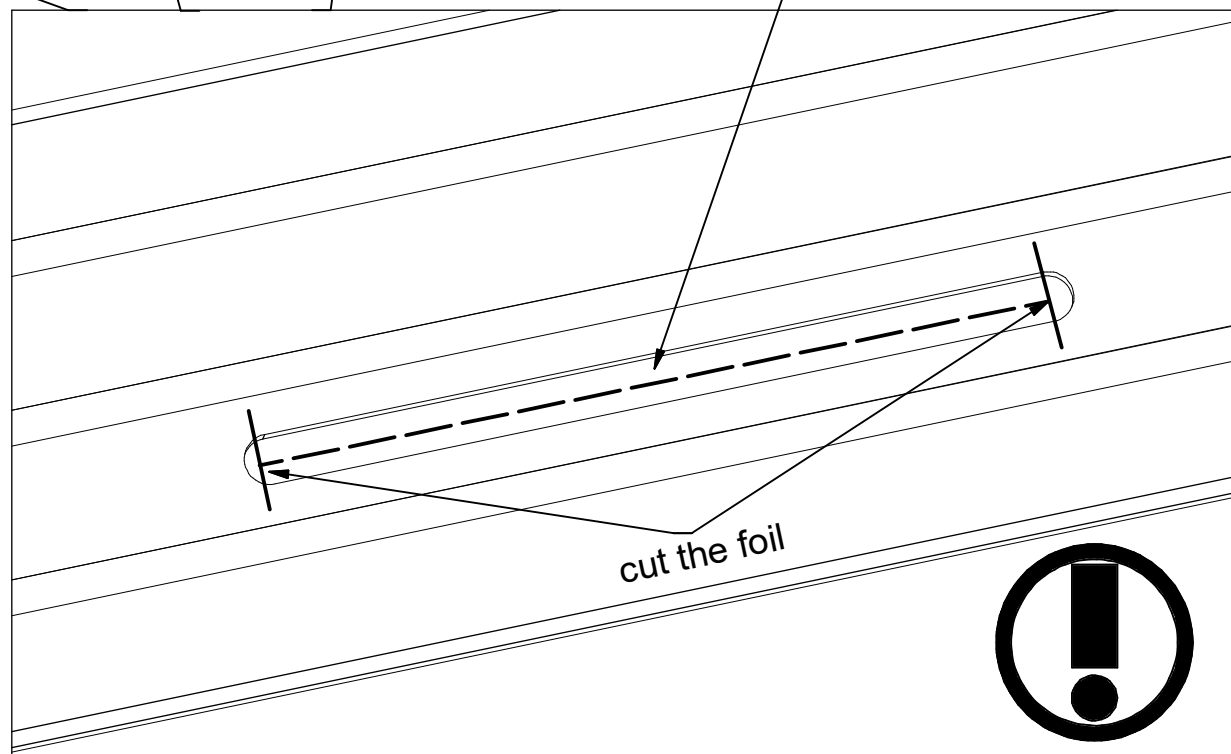
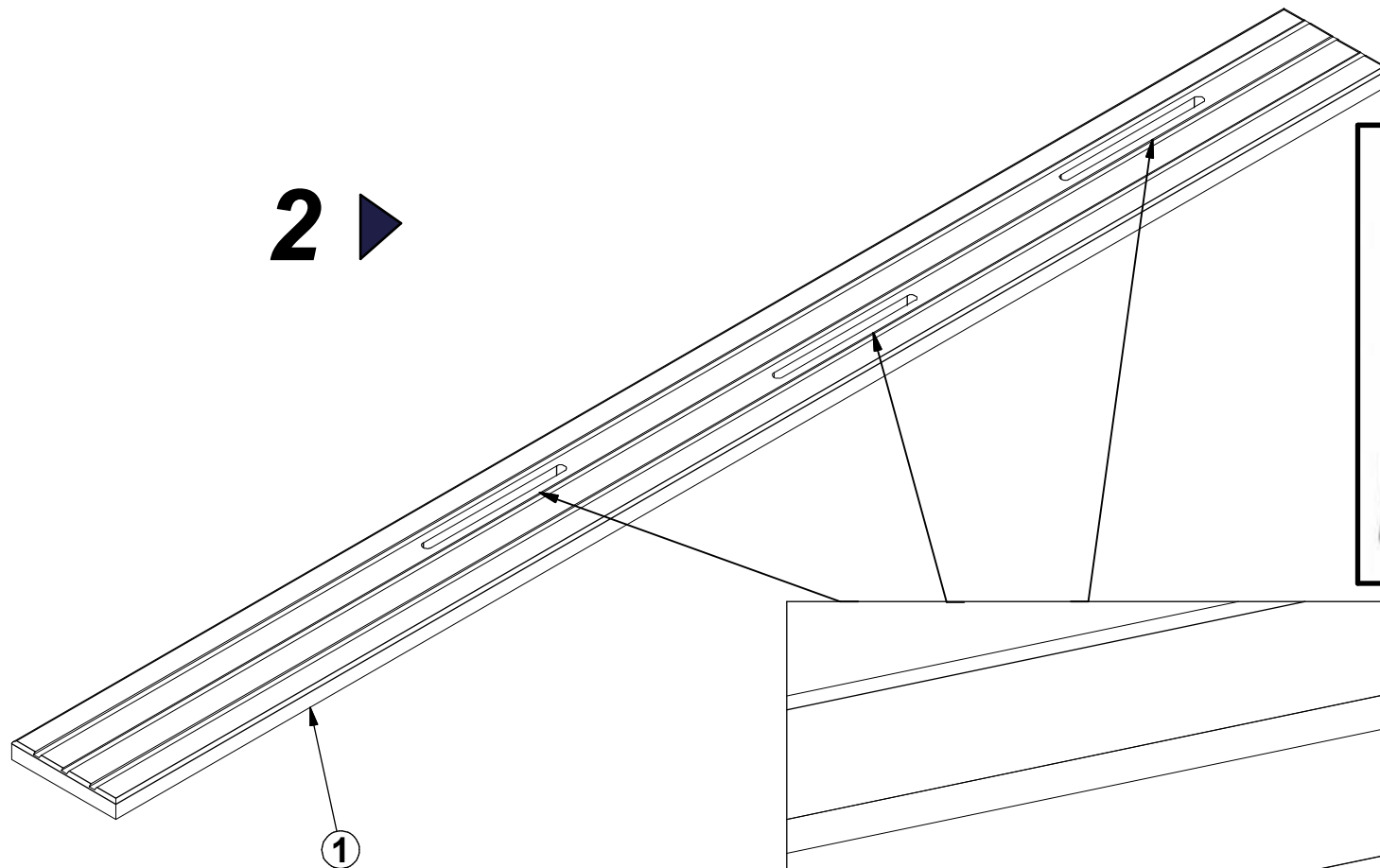


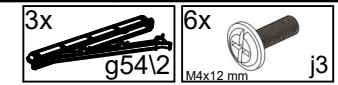


1 ▶

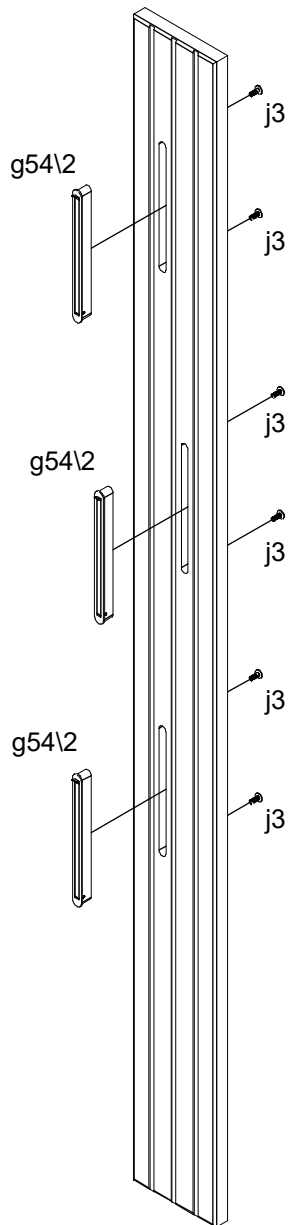
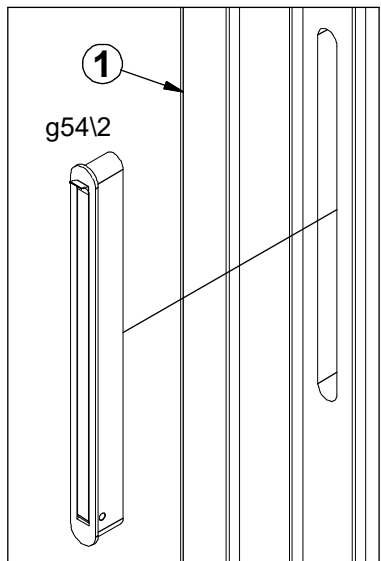


2 ▶

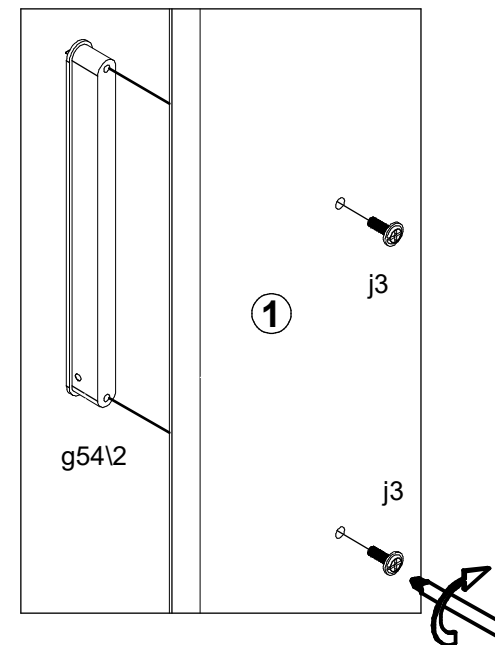
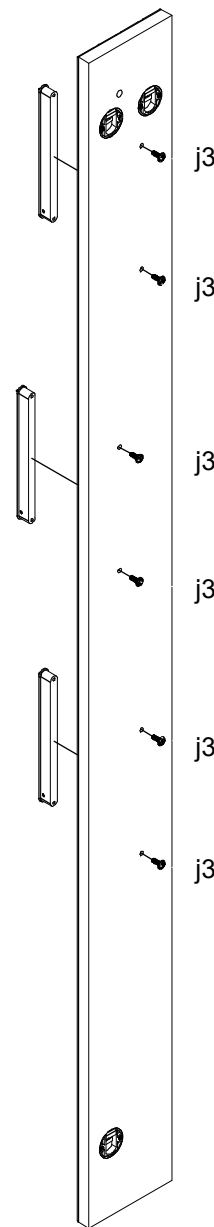




3 ▶



◀ 4

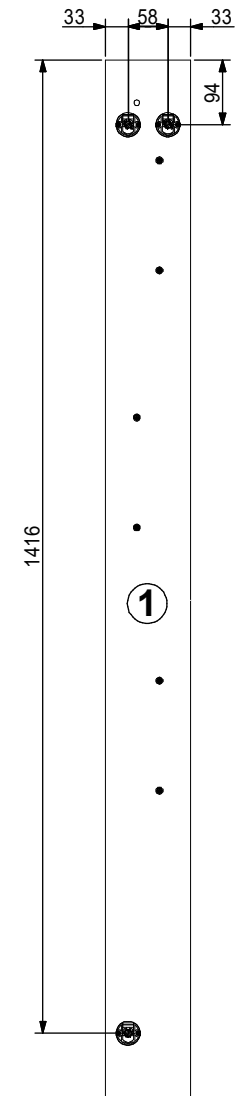
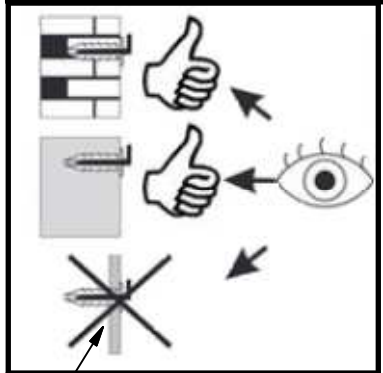
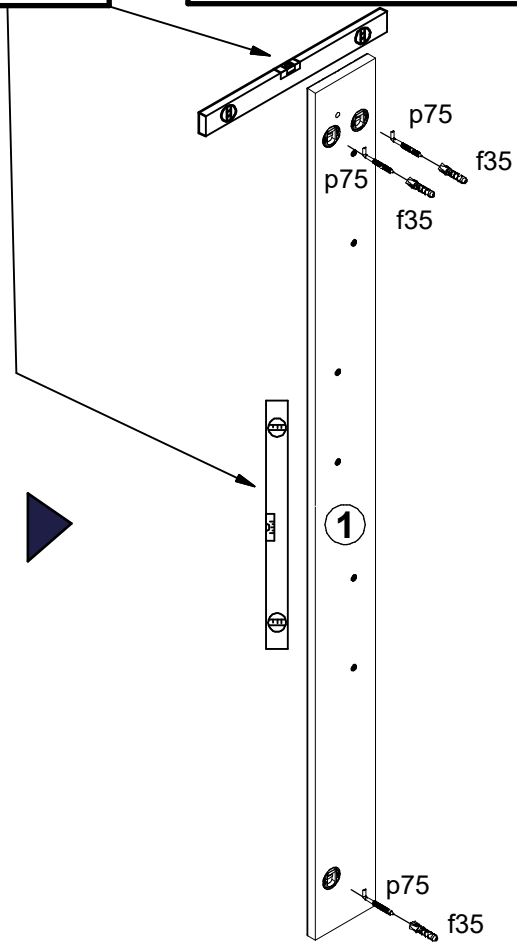
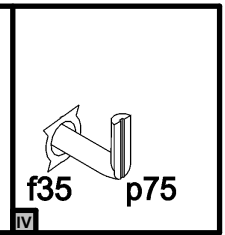
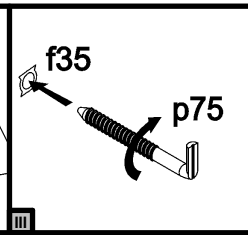
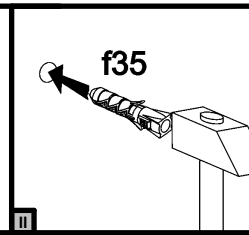
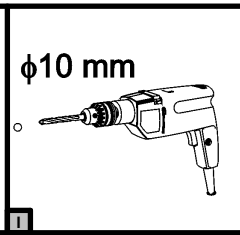
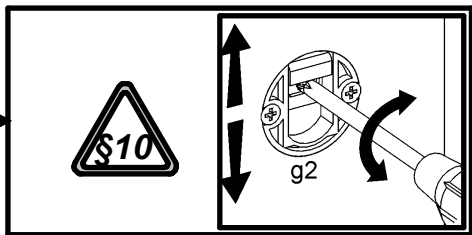
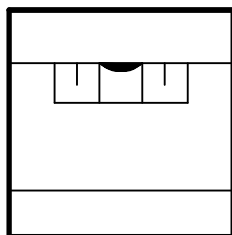


A

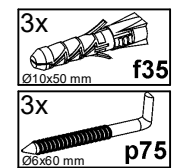
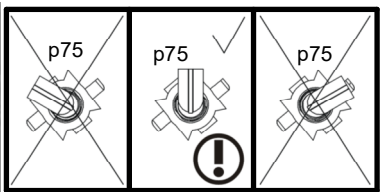
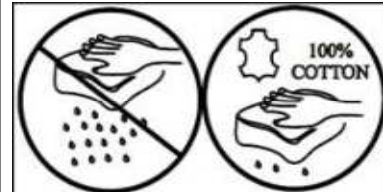
M278-PAN

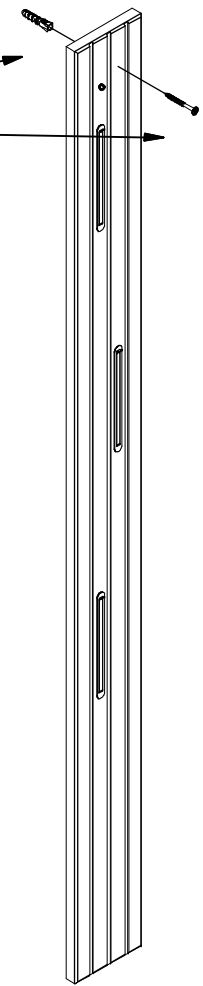
30 H8 99 40

5 / 6



6





8

7

