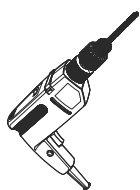
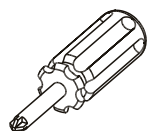
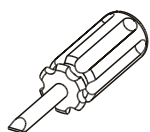
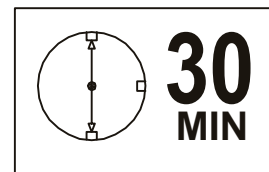
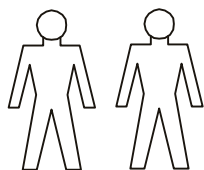
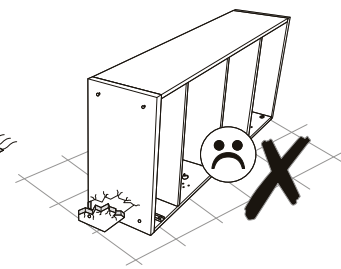
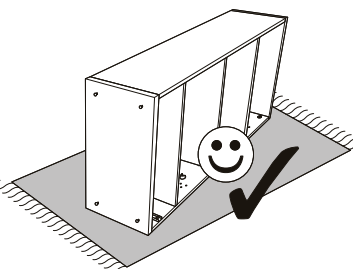
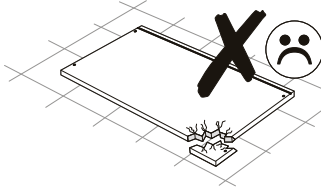
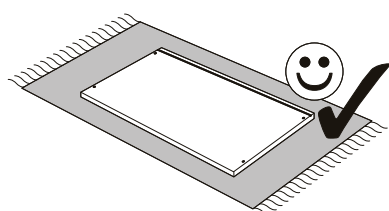
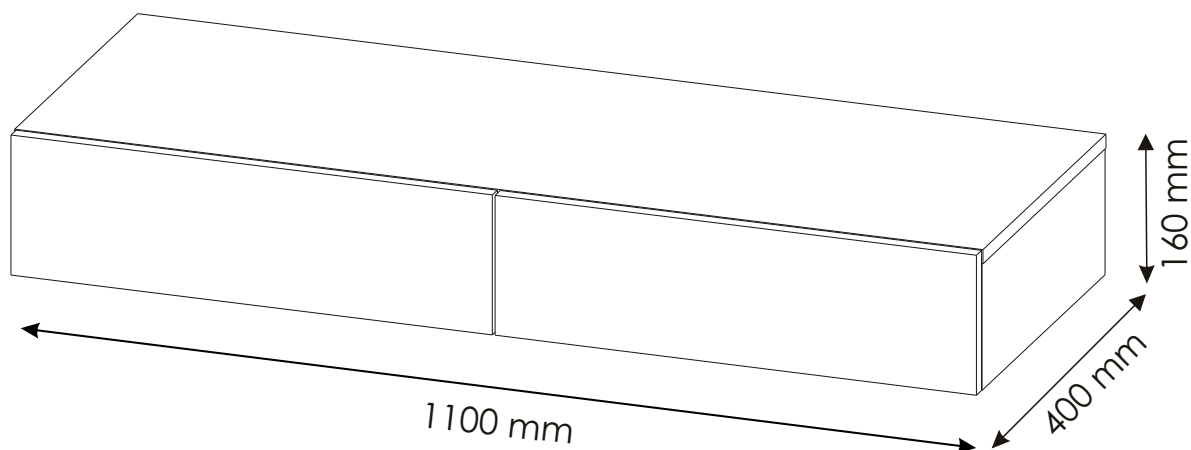
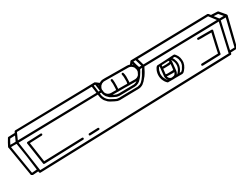
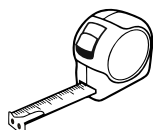


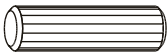
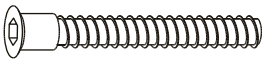




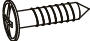


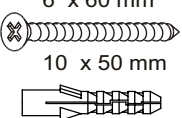
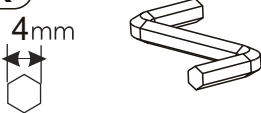

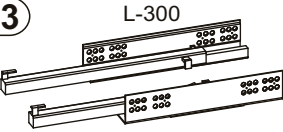

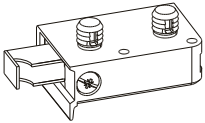
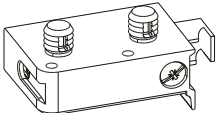
NEWNIQ Wandkonsole, Typ 2L

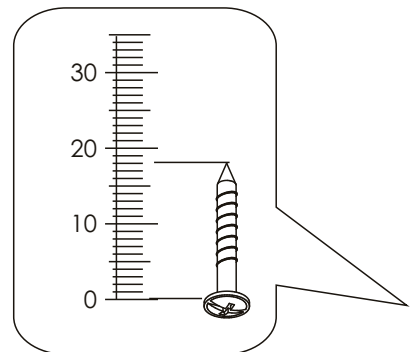
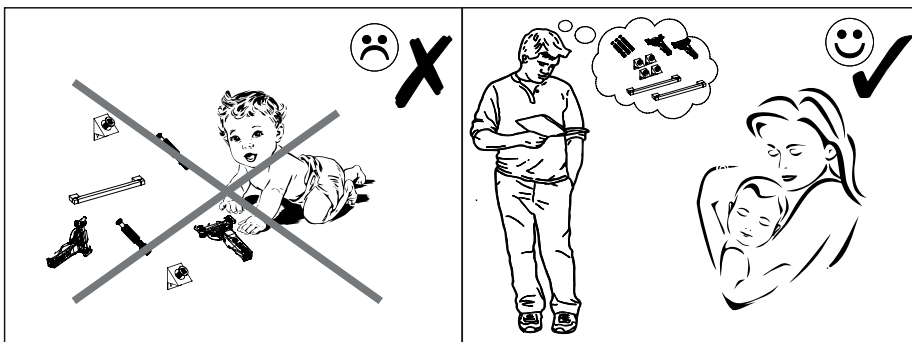
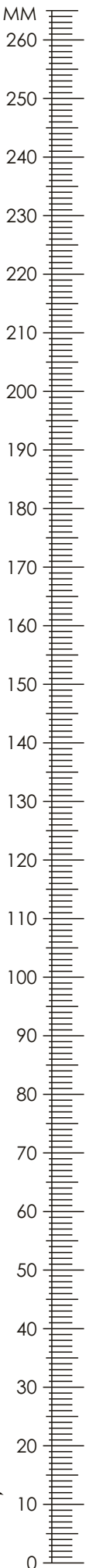
00030090/07
00030090/08
00030090/44




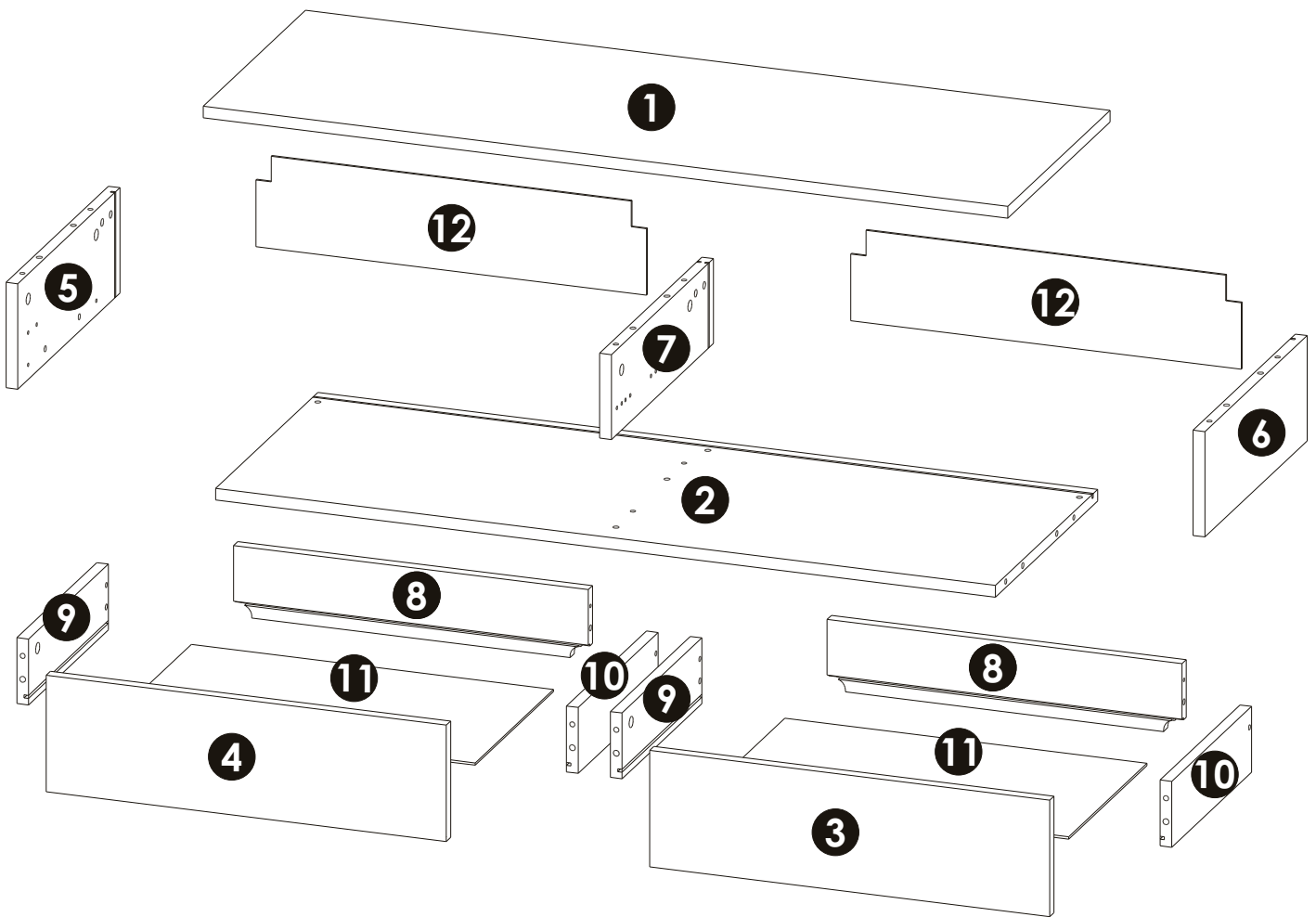
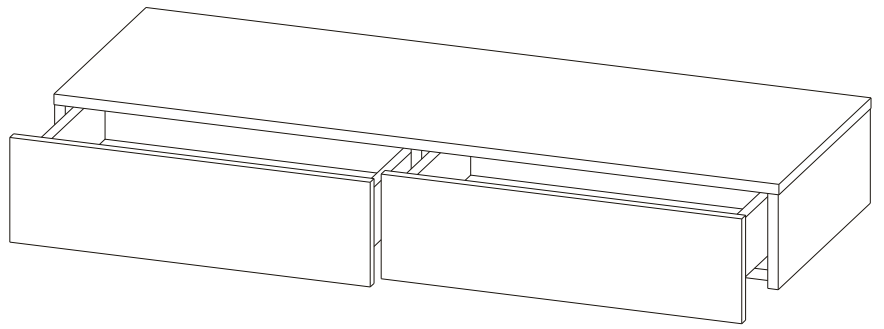
Ø10

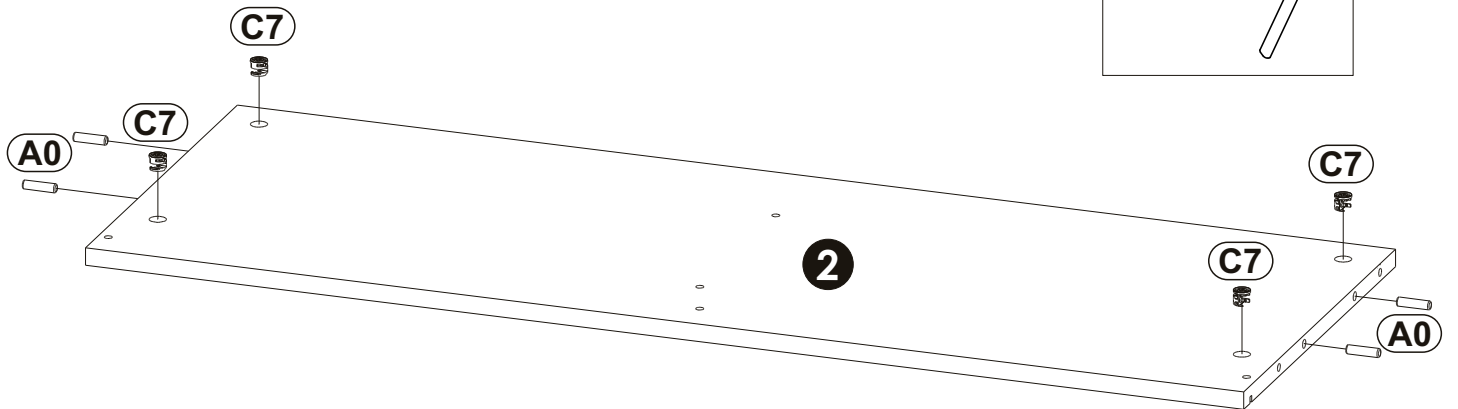
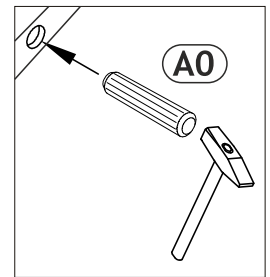
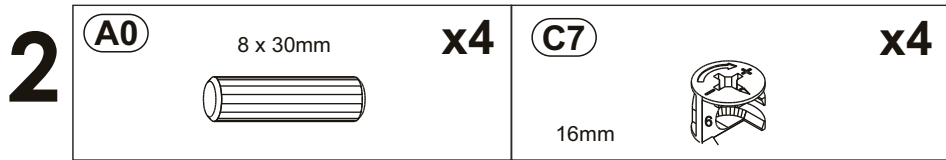
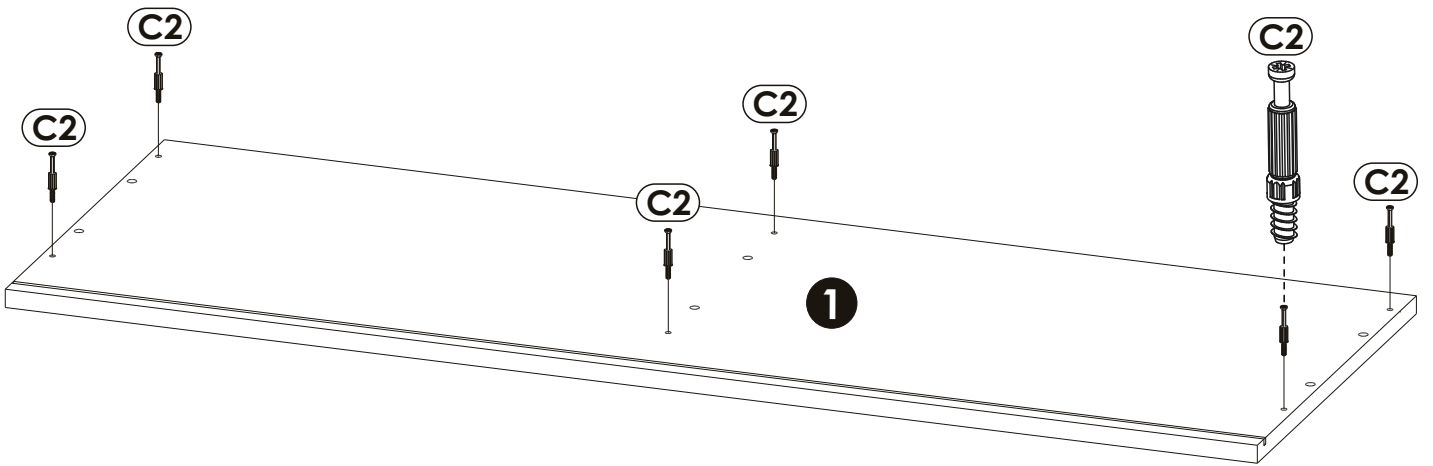
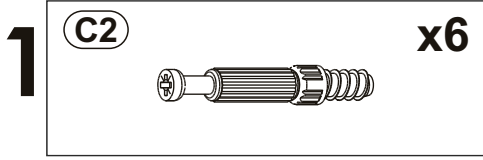
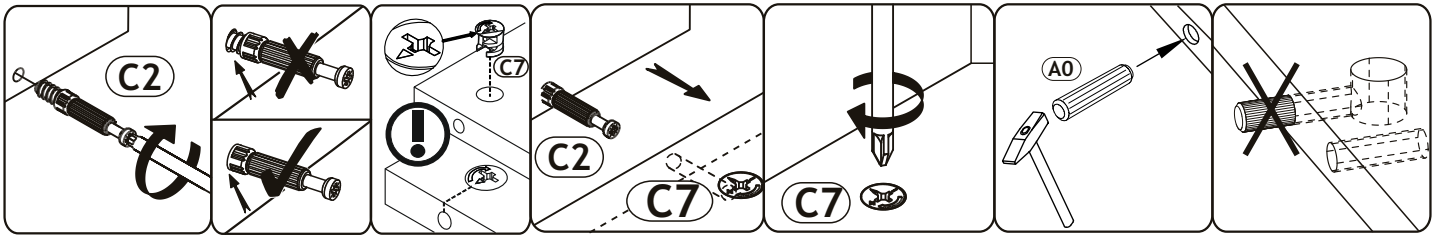


A0 8 x 30mm x20 	B1 f 7 x 50 mm x6 	C0  x4
C2  x14	C7 16mm  x14	D0 3 x 15 mm  x12
D4 3,5 x 18 mm  x4	D13 4 x 30 mm  x6	D31 6.3 x 13 mm  x16
E3 6 x 60 mm 10 x 50 mm  x6	K 4mm  x1	M1  x12
N13 L-300  x2	P5  x3	P43  x2
P44  x1	LOGO... x1	






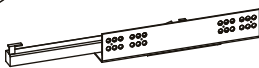
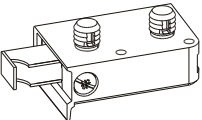


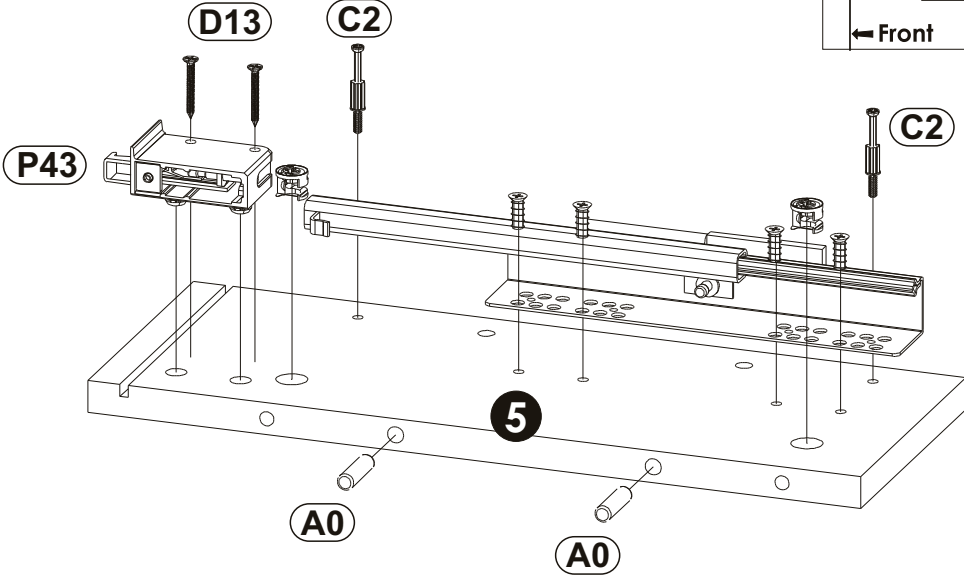
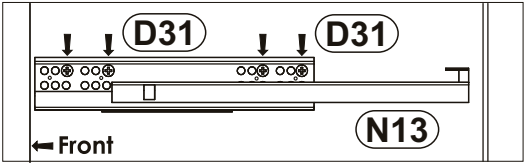
1	1100	384	16	x1	1/1
2	1066	384	16	x1	1/1
3	547	159	16	x1	1/1
4	547	159	16	x1	1/1
5	144	384	16	x1	1/1
6	144	384	16	x1	1/1
7	116	384	16	x1	1/1
8	485	89	16	x2	1/1
9	300	90	16	x2	1/1
10	300	90	16	x2	1/1
11	495	294	3	x2	1/1
12	126	534	3	x2	1/1
					1/1








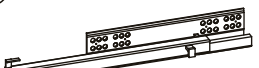
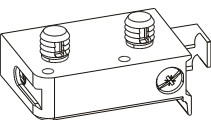


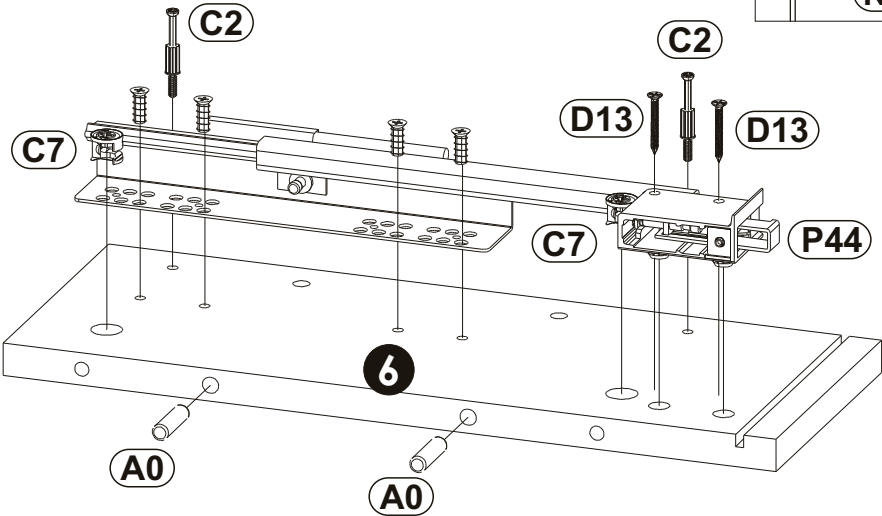
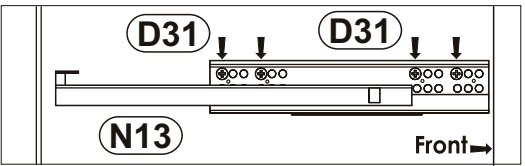
3

A0 8 x 30mm 	x2	C2 	x2	C7 16mm 	x2
D13 4 x 30 mm 	x2	D31 6.3 x 13 mm 	x4	N13 L-300 	x1
P43 	x1				





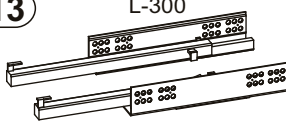
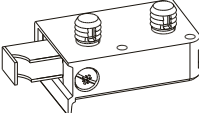


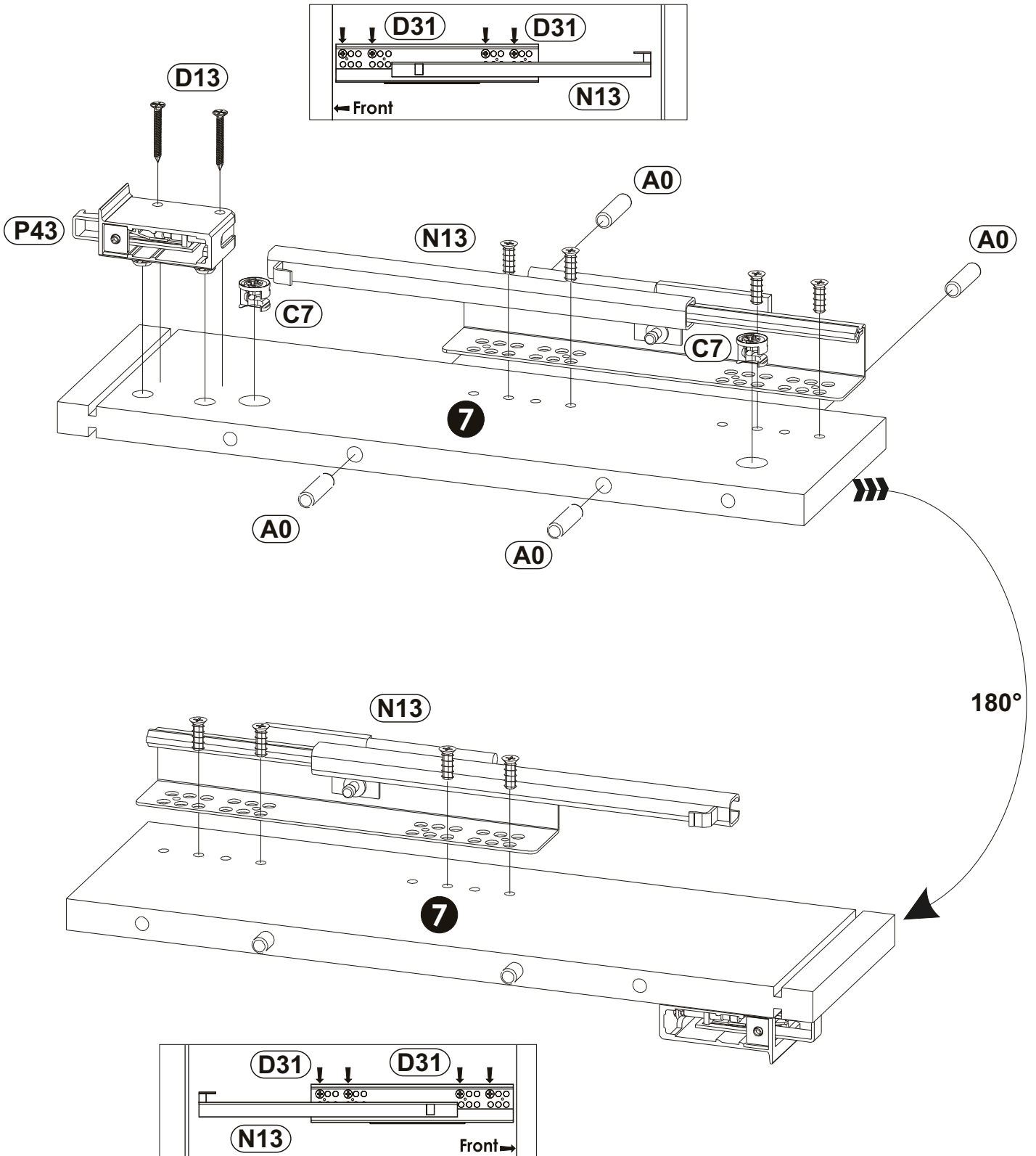
4

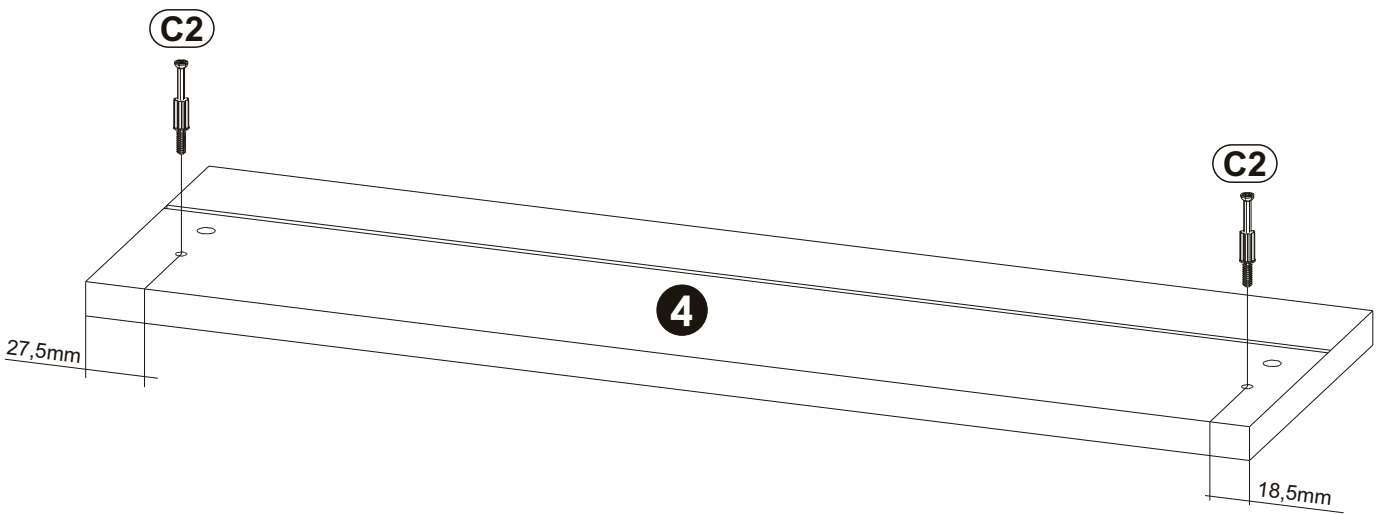
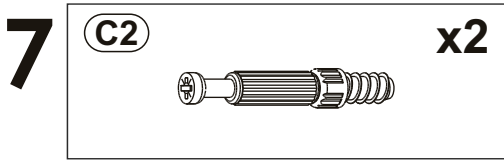
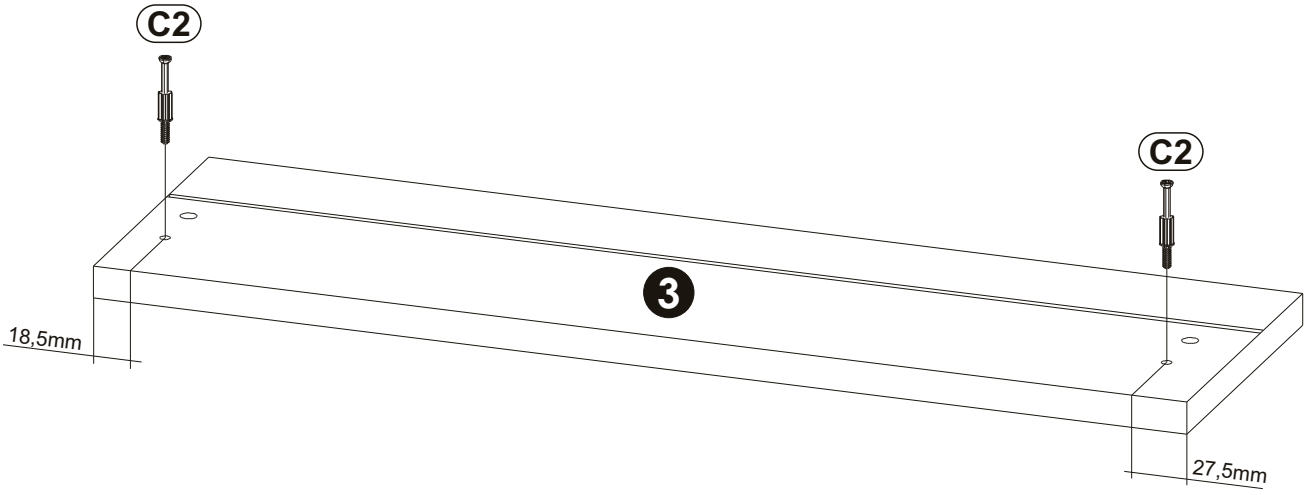
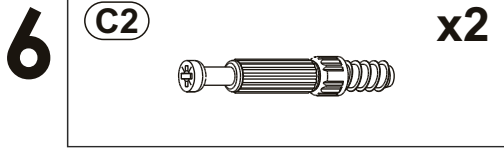
A0 8 x 30mm 	x2	C2 	x2	C7 16mm 	x2
D13 4 x 30 mm 	x2	D31 6.3 x 13 mm 	x4	N13 L-300 	x1
P44 	x1				

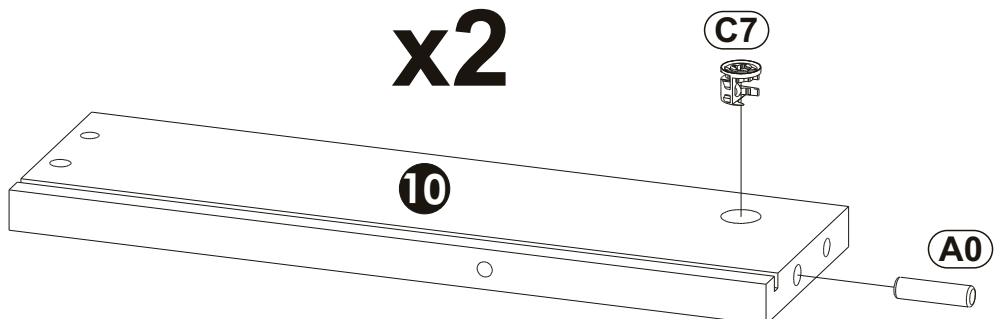
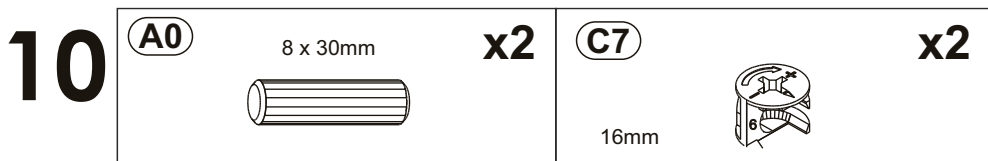
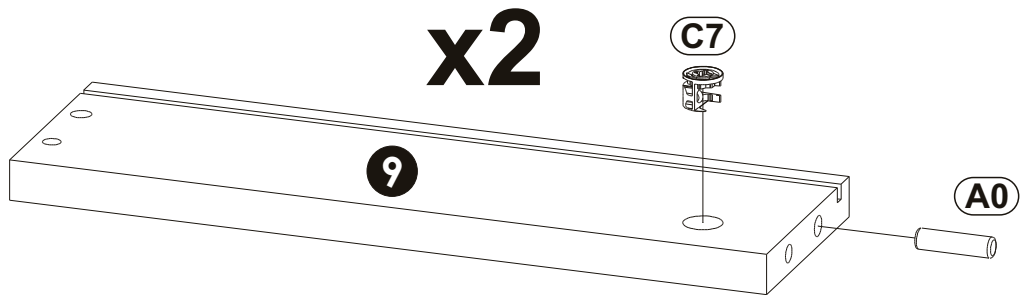
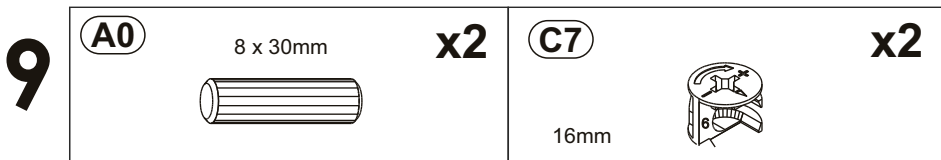
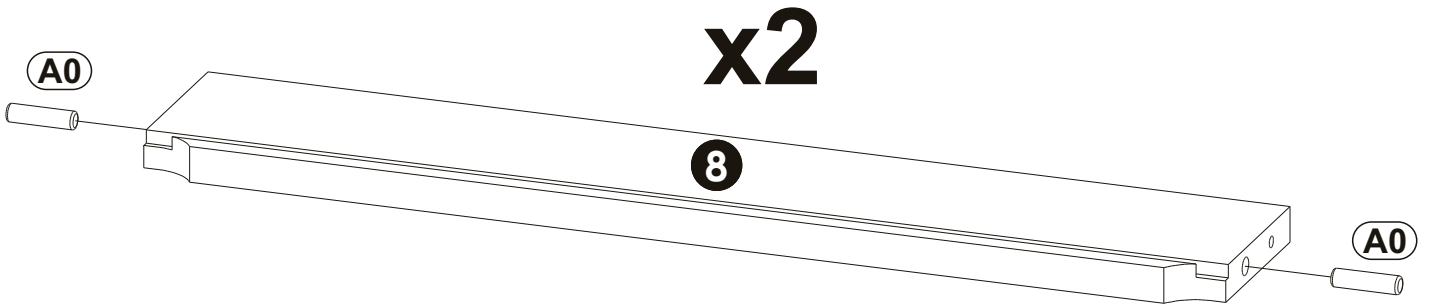
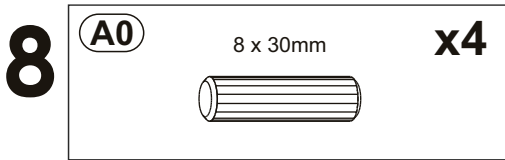


5

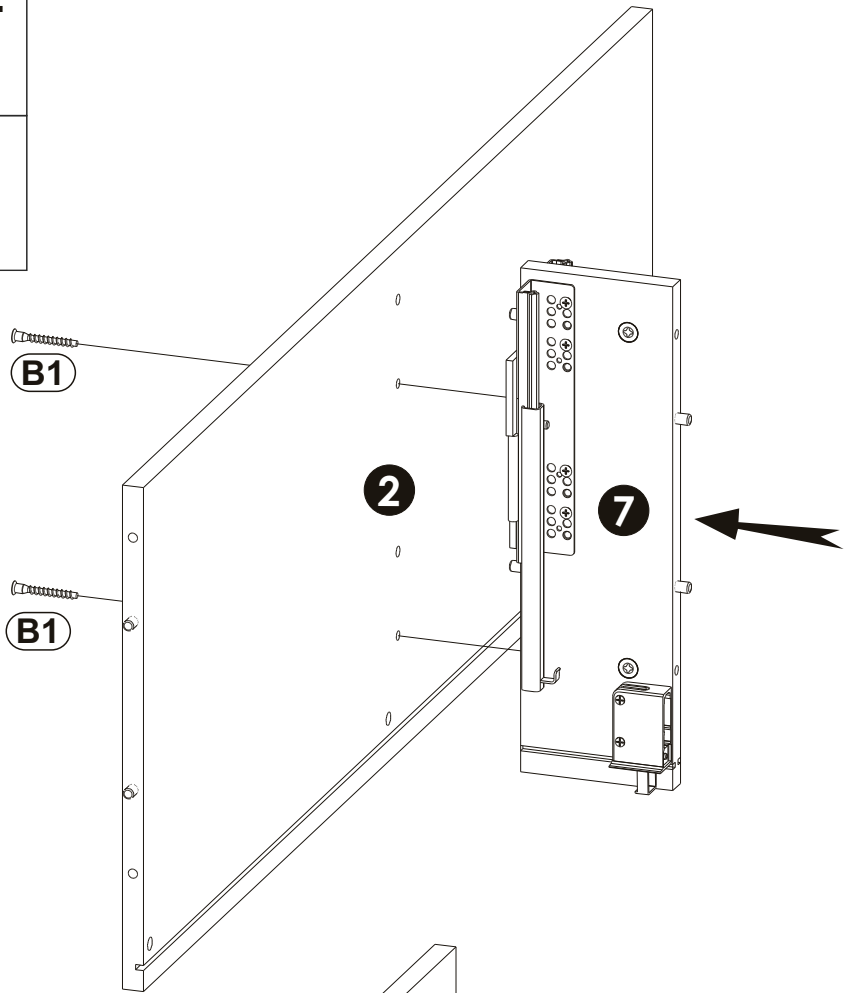
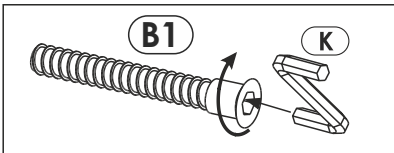
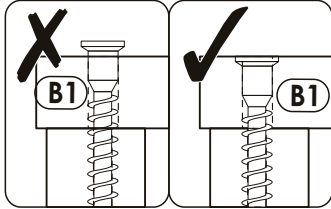
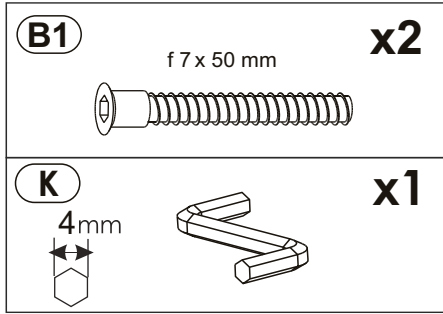
A0 8 x 30mm 	x4	C7 16mm 	x2	D13 4 x 30 mm 	x2
D31 6.3 x 13 mm 	x8	N13 L-300 	x1	P43 	x1



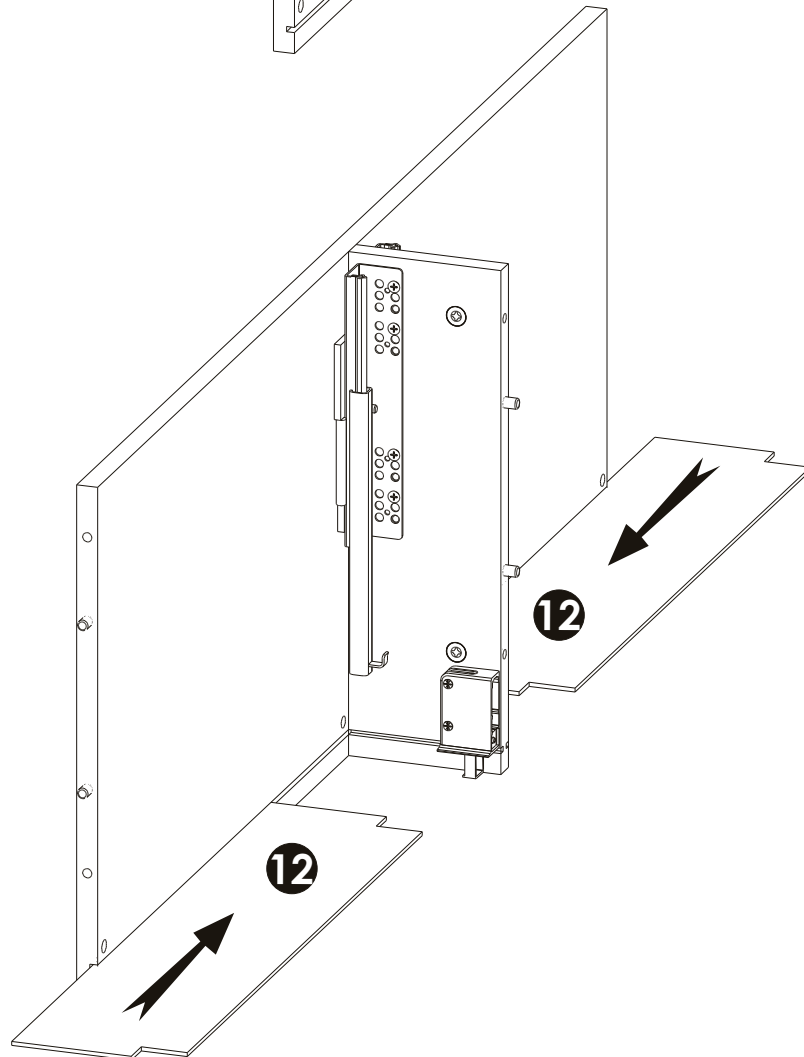




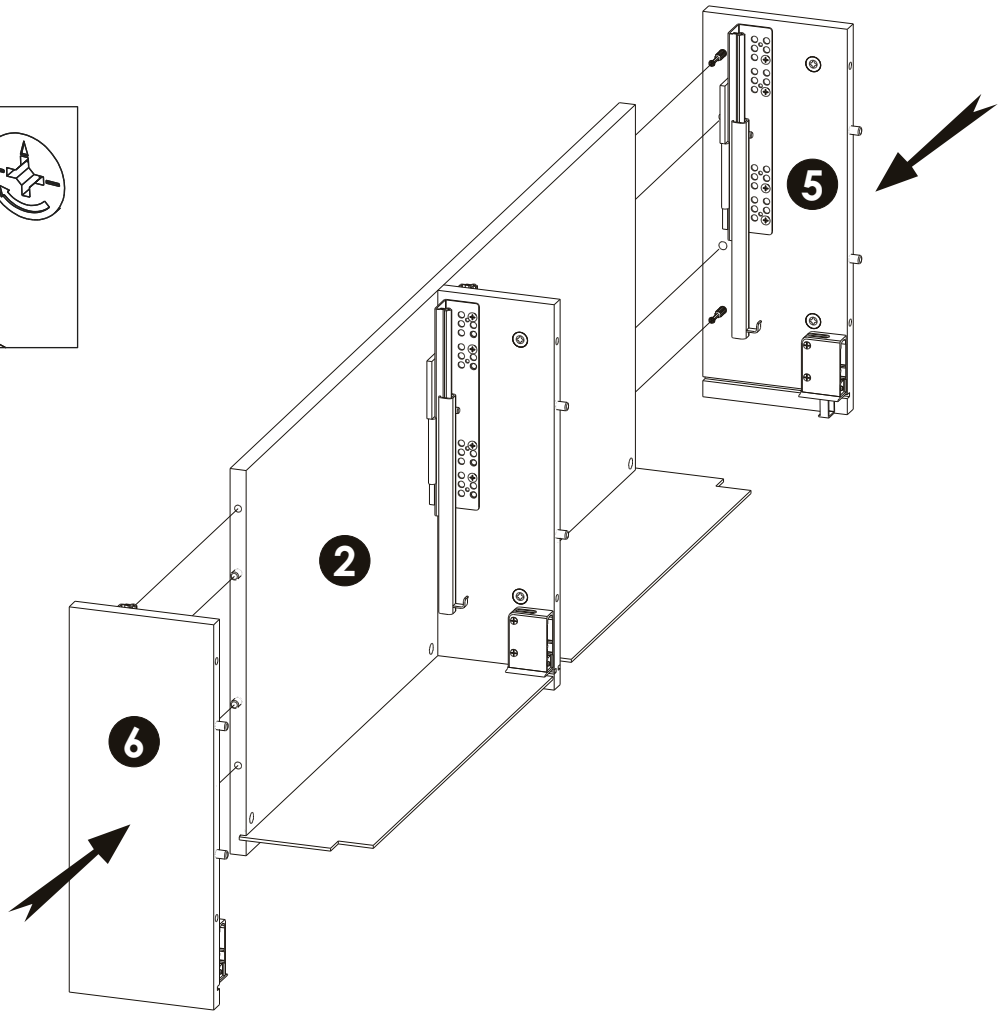
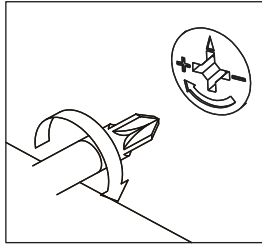
11



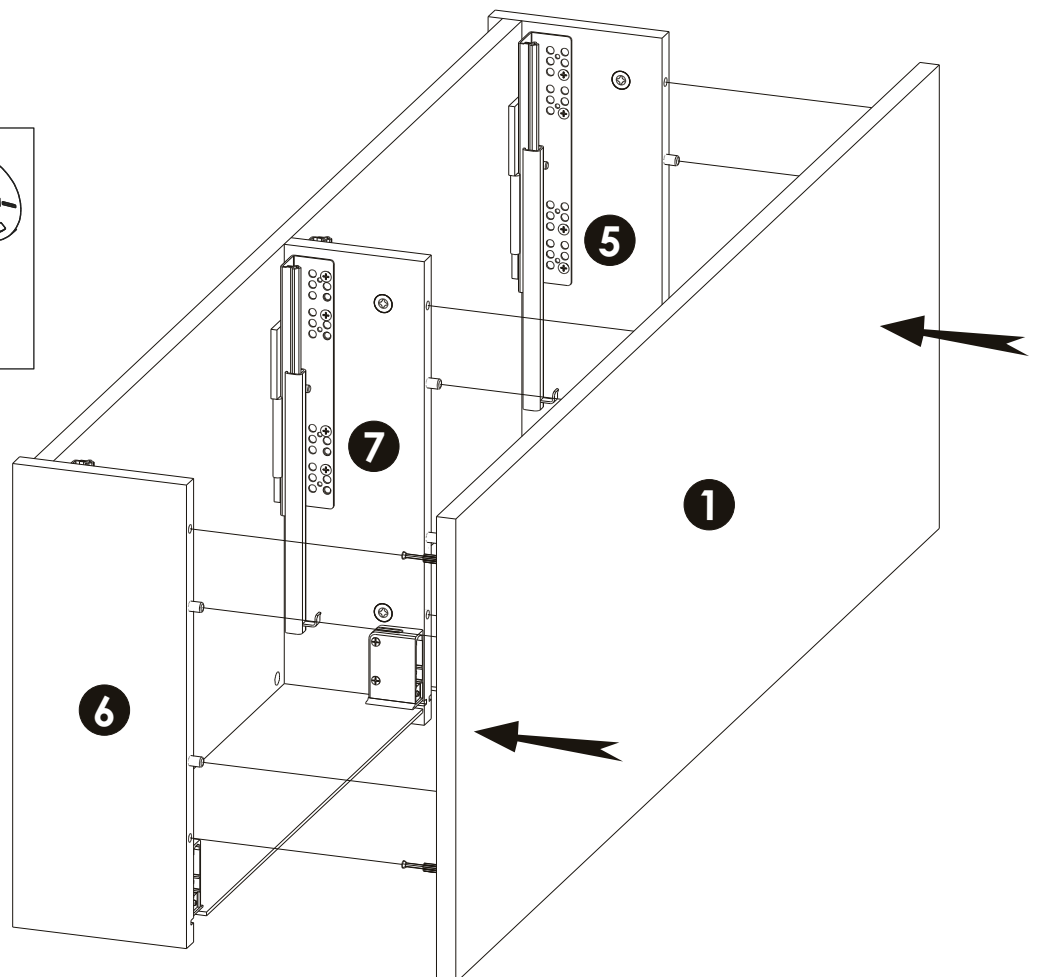
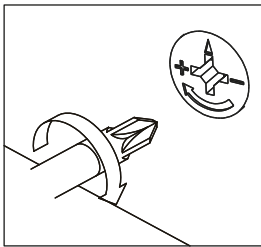
12



13

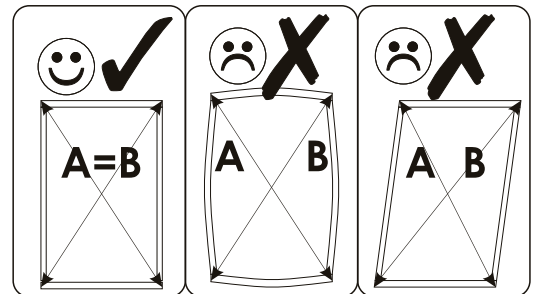
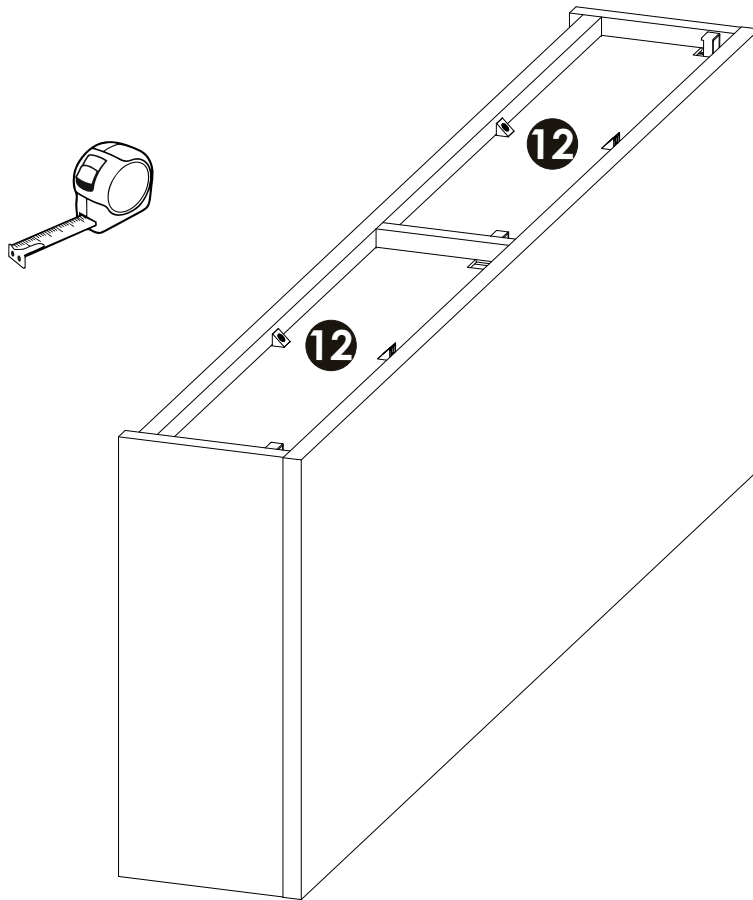
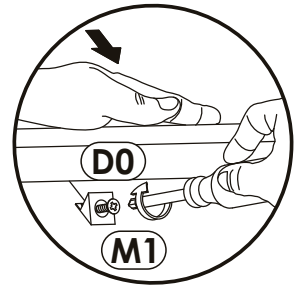


14



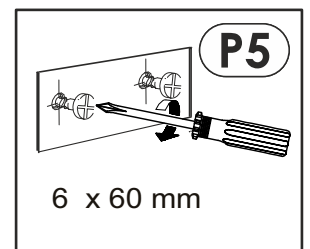
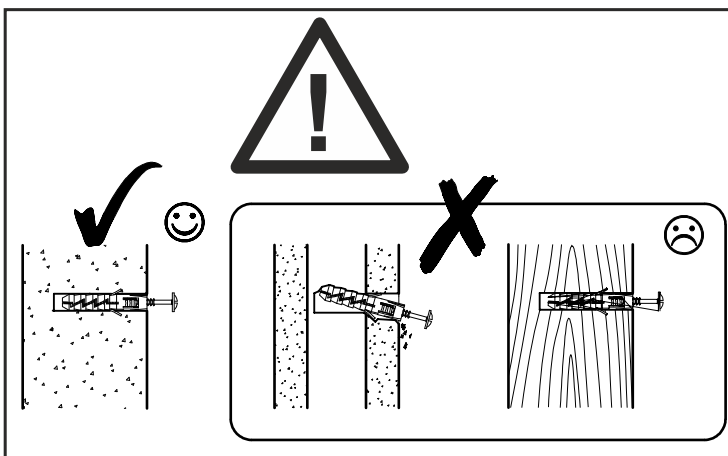
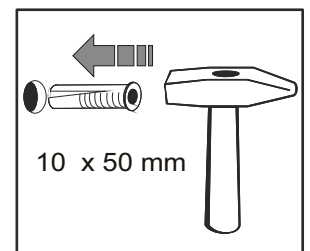
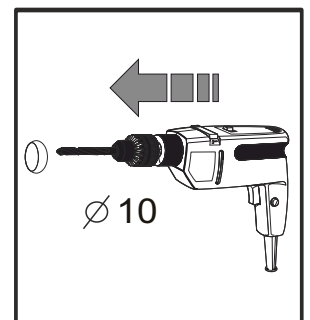
15

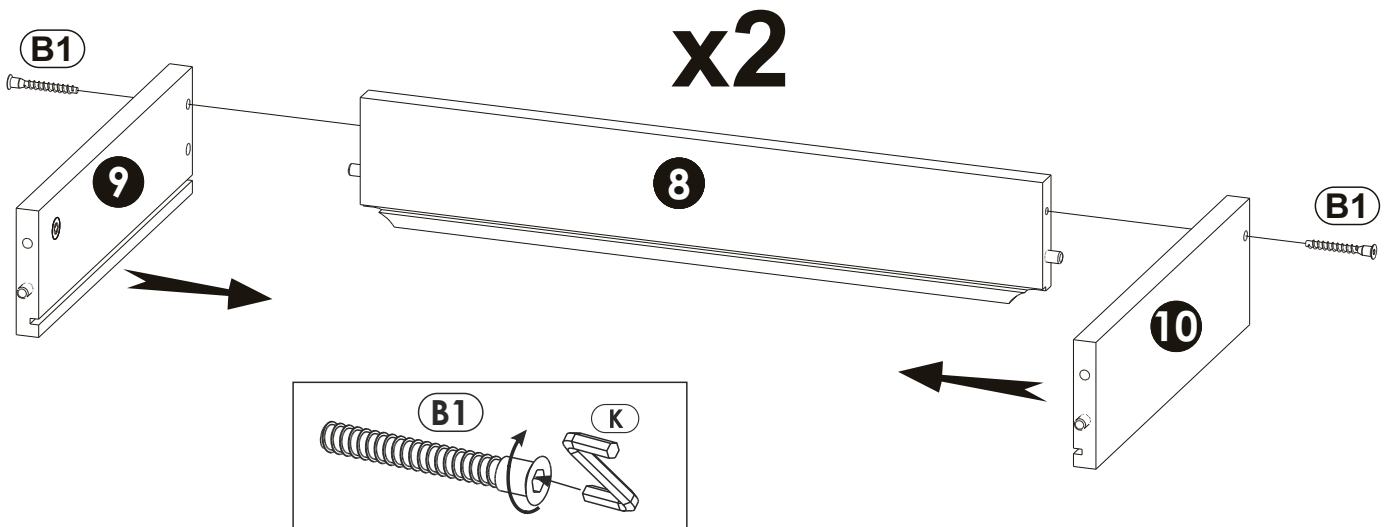
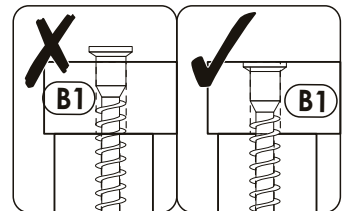
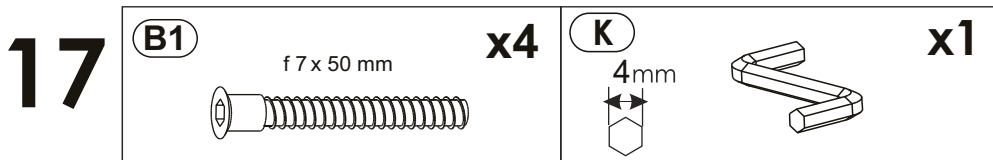
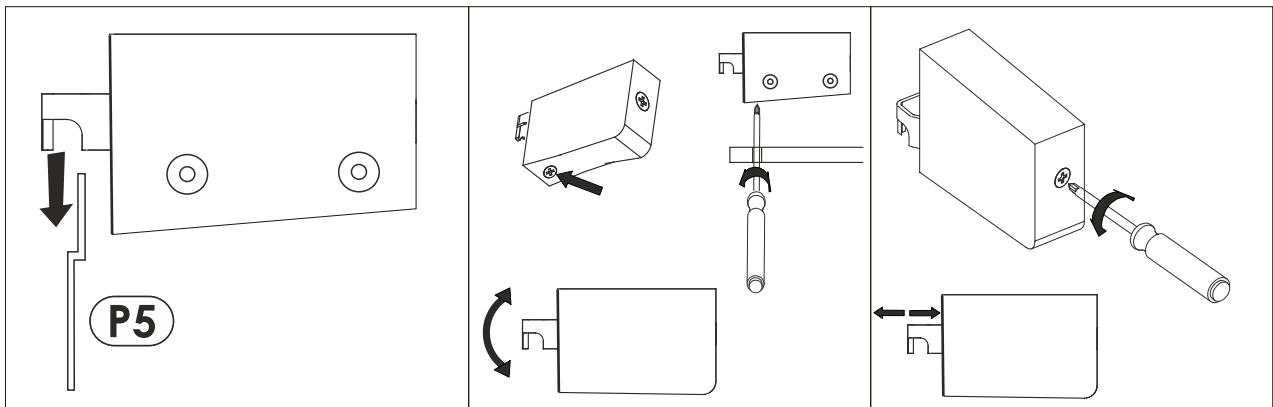
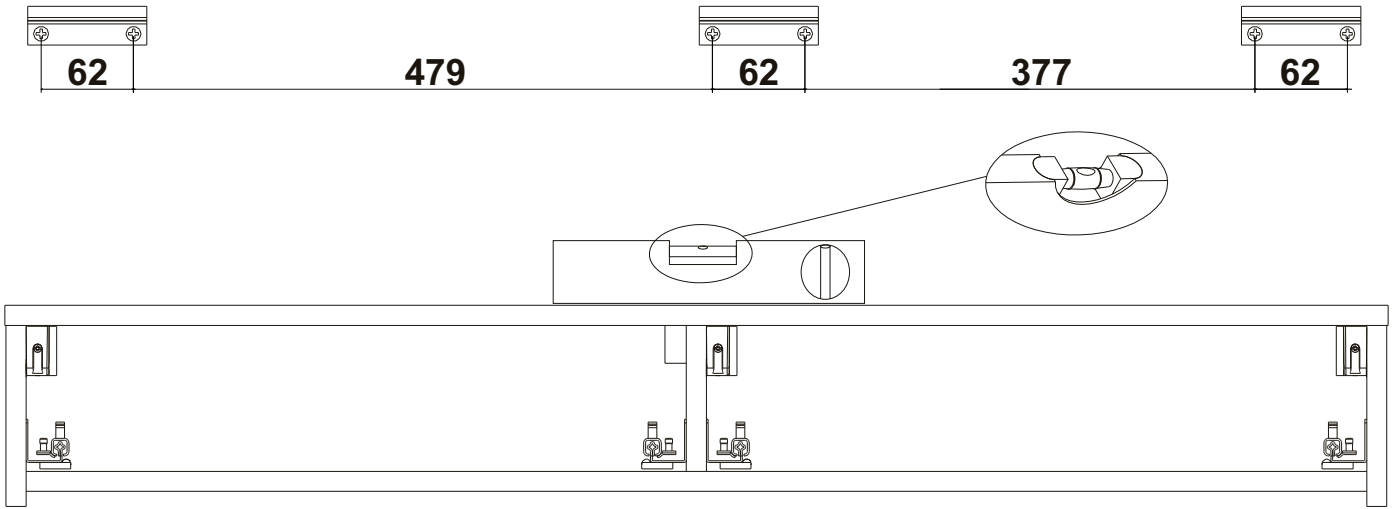
D0	3 x 15 mm	x4	M1		x4
-----------	-----------	-----------	-----------	--	-----------



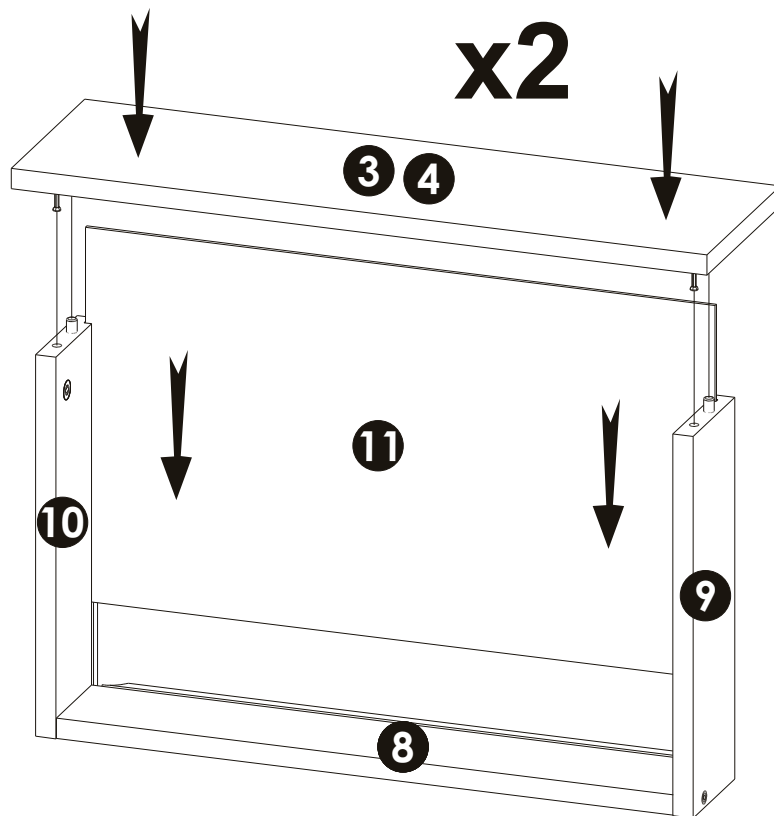
16

E3	6 x 60 mm 10 x 50 mm	x6	P5		x3
-----------	-------------------------	-----------	-----------	--	-----------

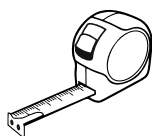
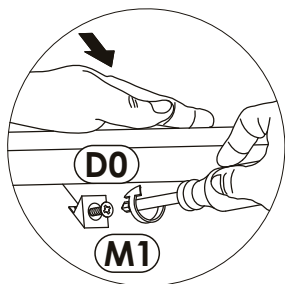
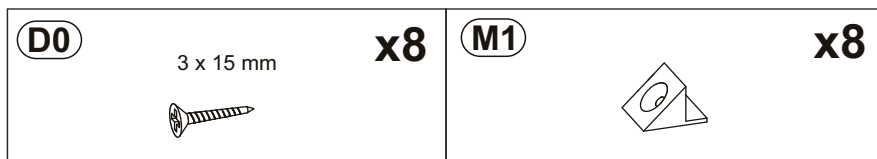




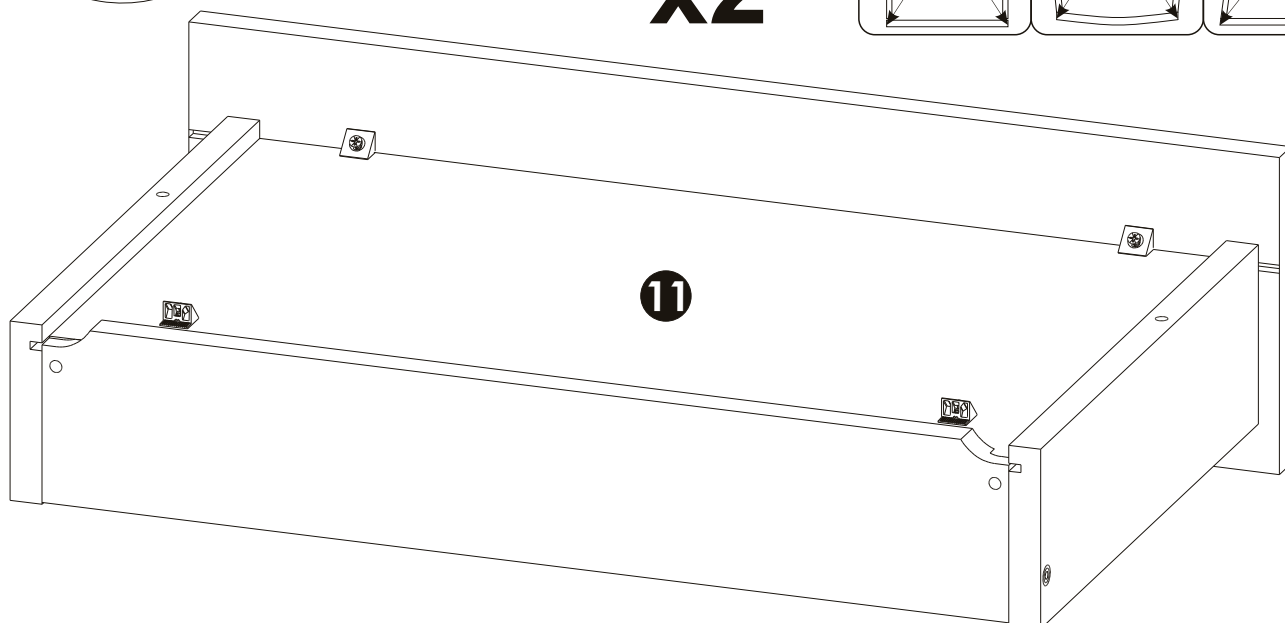
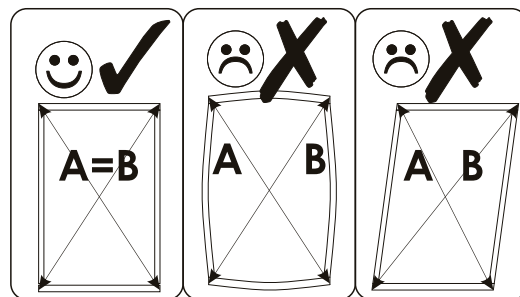
18



19



x2



20

C0



x4

D4

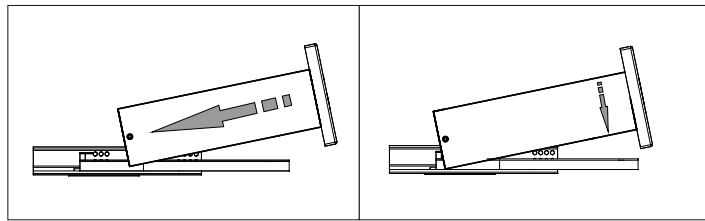
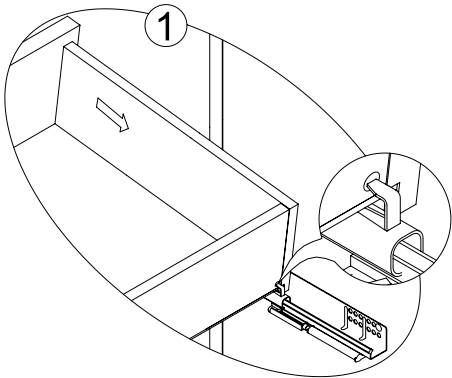
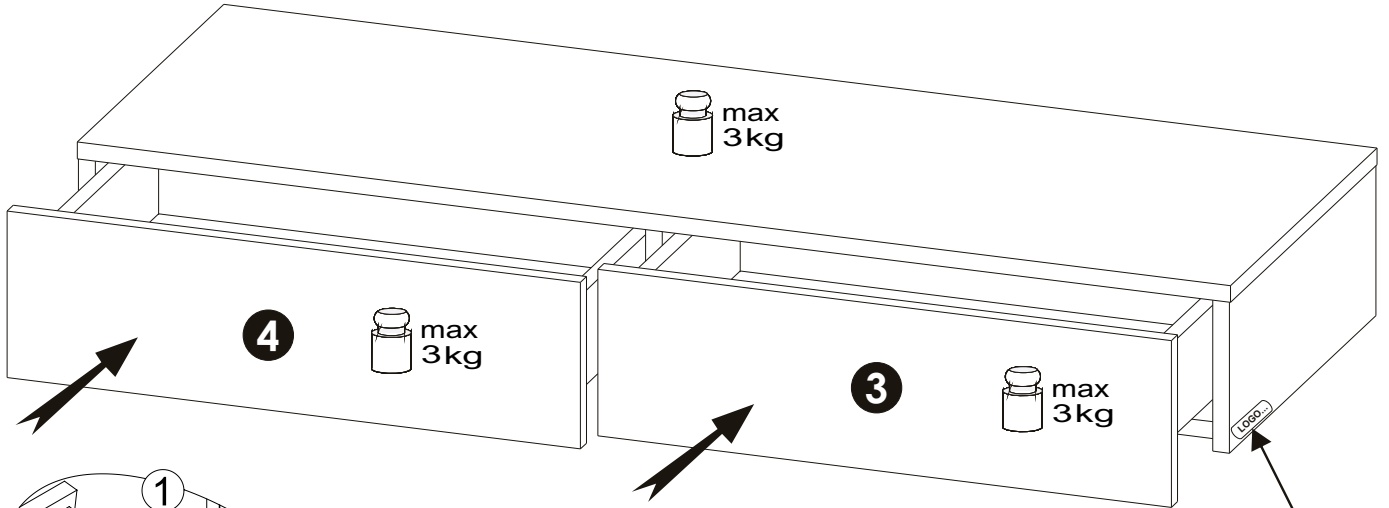
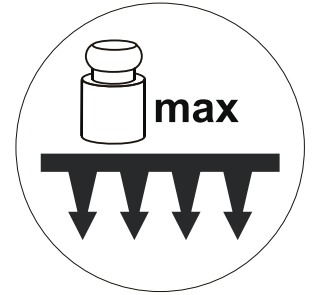
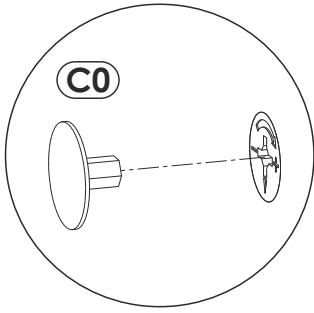
3,5 x 18 mm



x4

LOGO...

x1



LOGO...

