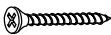

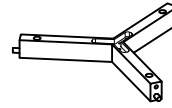
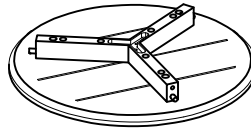
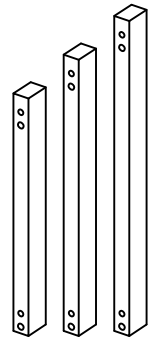
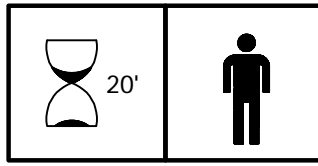


6732

LIST OF HARDWARE

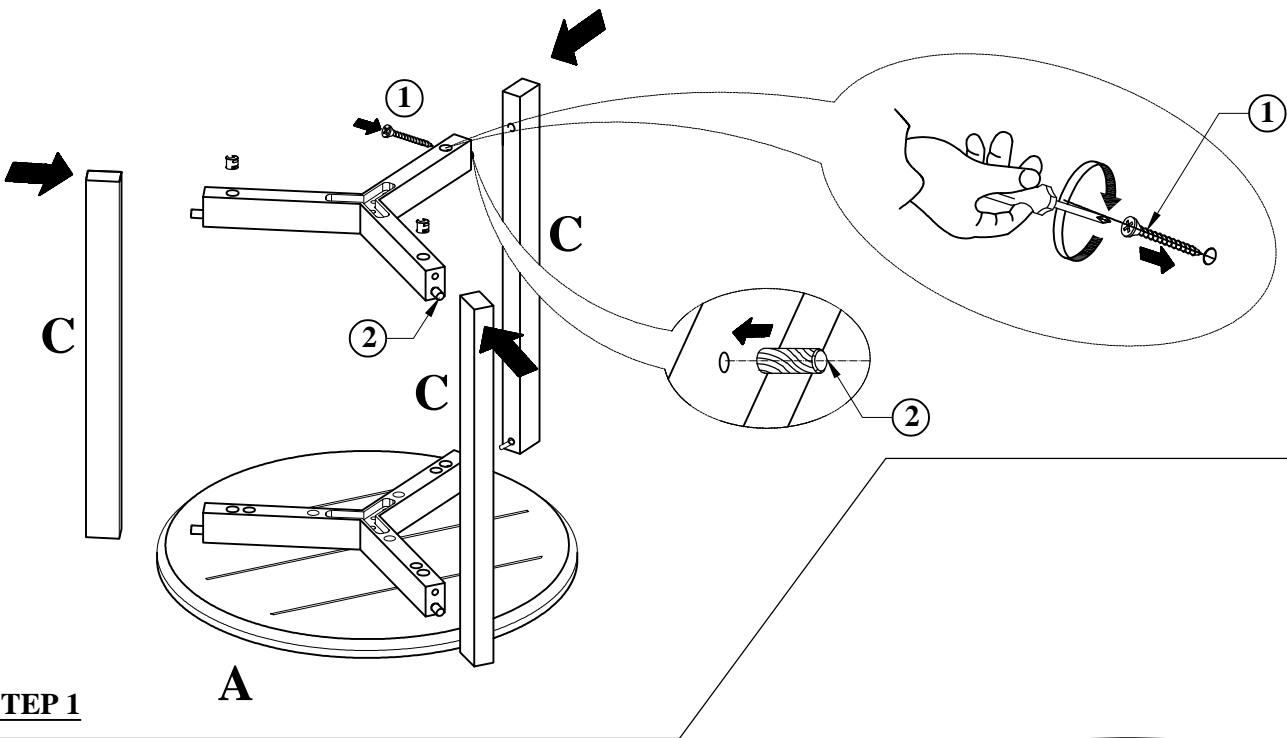
No.	Hardware	Q.ty
①	Vis M4x35 	18
②	Dowels Ø10x30 	18



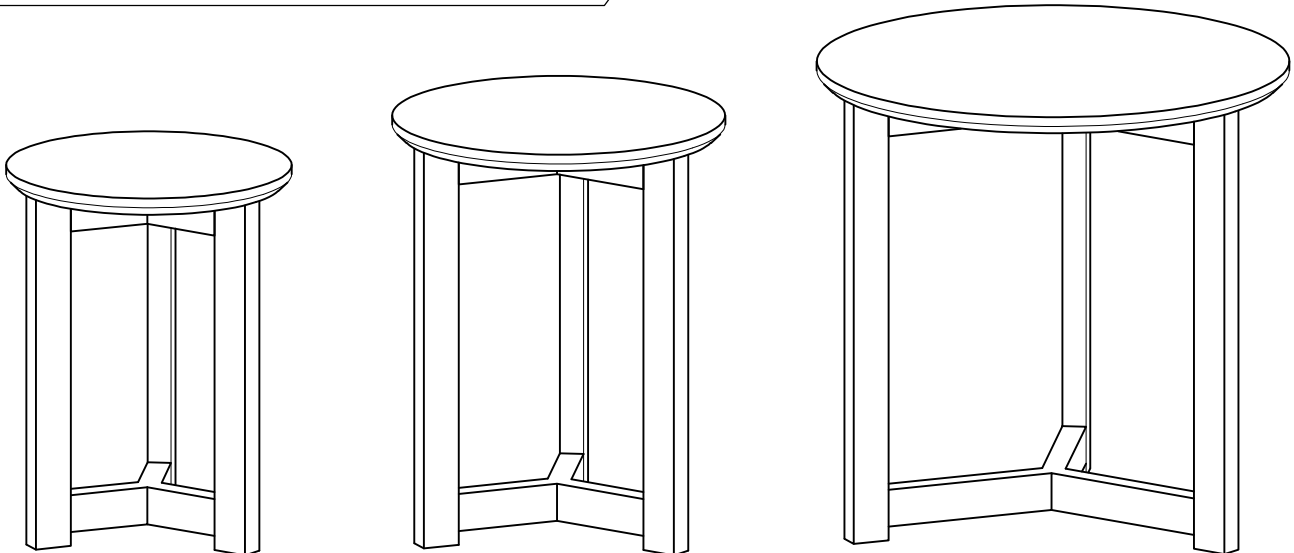
A1 x 1
A2 x 1
A3 x 1

B1 x 1
B2 x 1
B3 x 1

C1 x 3
C2 x 3
C3 x 3



STEP 1



FINISHED