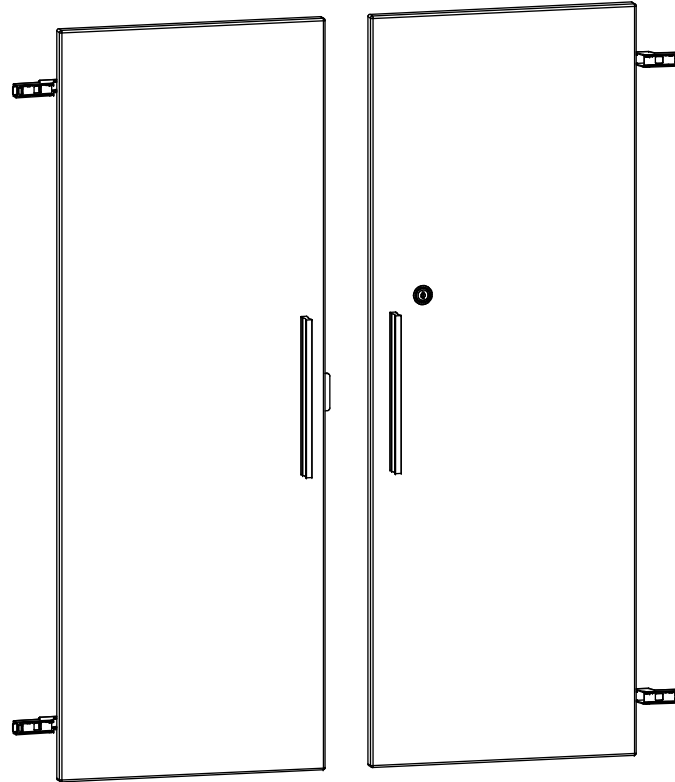


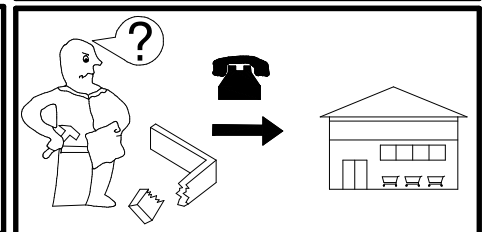
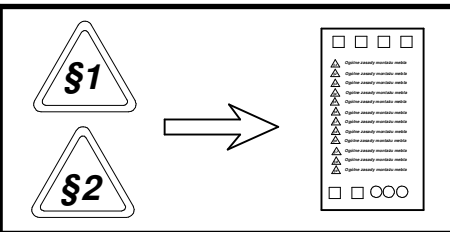
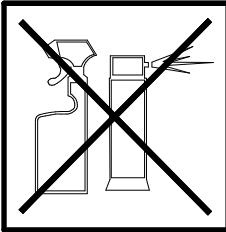
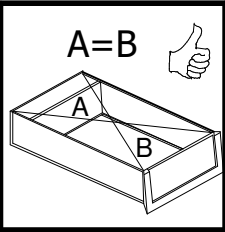
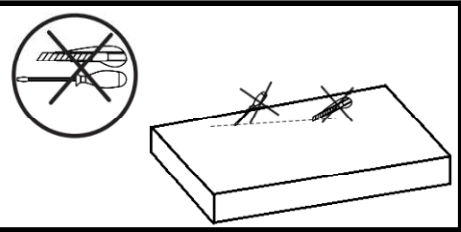
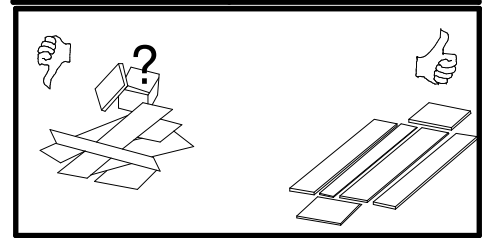
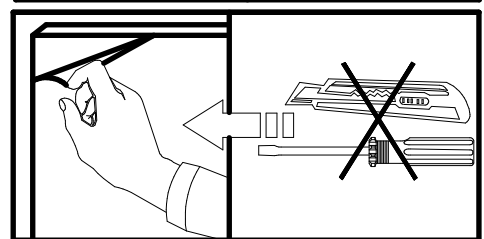
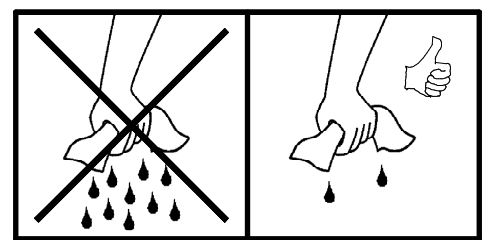
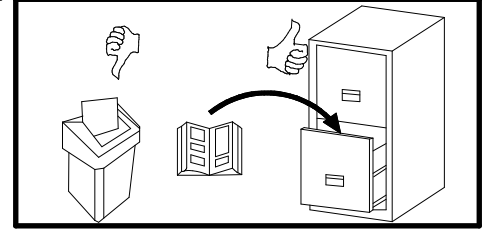
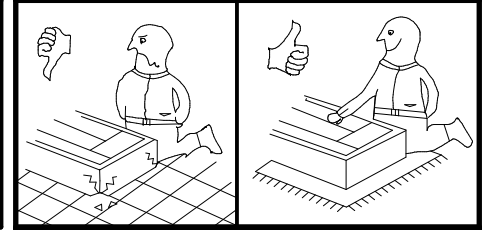
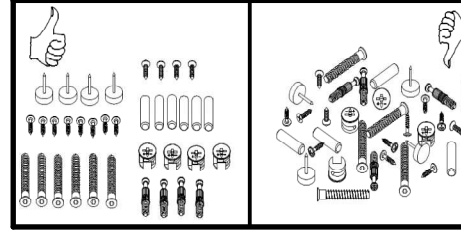
A

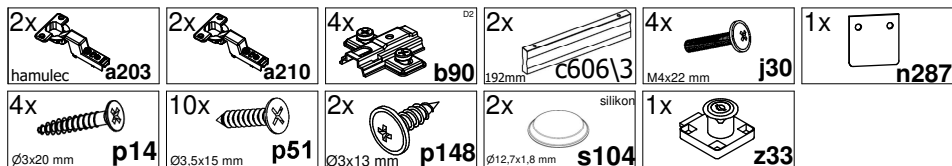
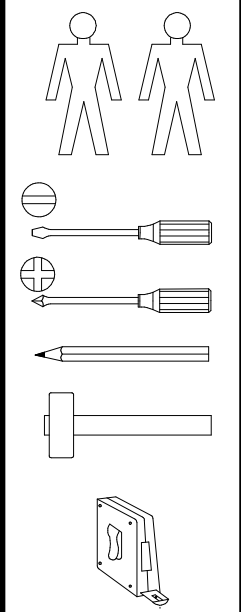
S643-FRN/101/80/A

CONNECT

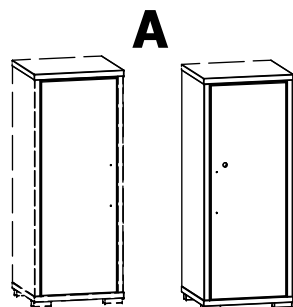


24270215/23
24270215/24

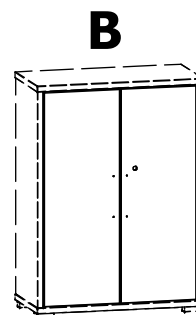




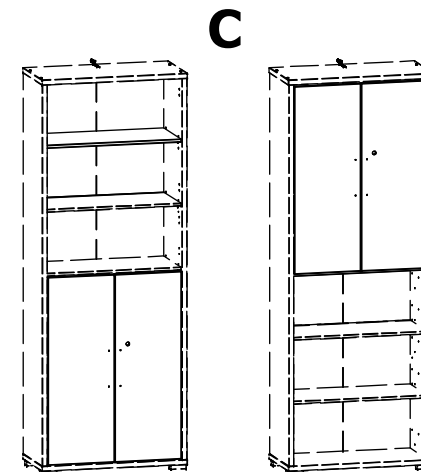
A	B1	B2	C1	C2	C3	D
1	S643-0004	-	1010	364	16	1/1
2	S643-0005	-	1010	364	16	1/1



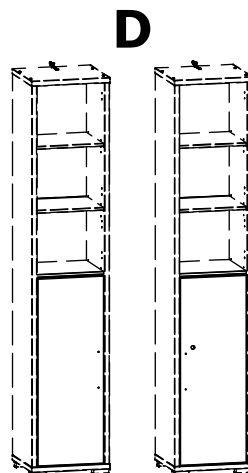
S643-REG/110/43



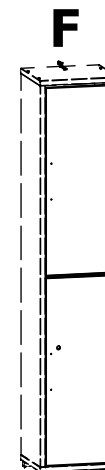
S643-REG/110/80

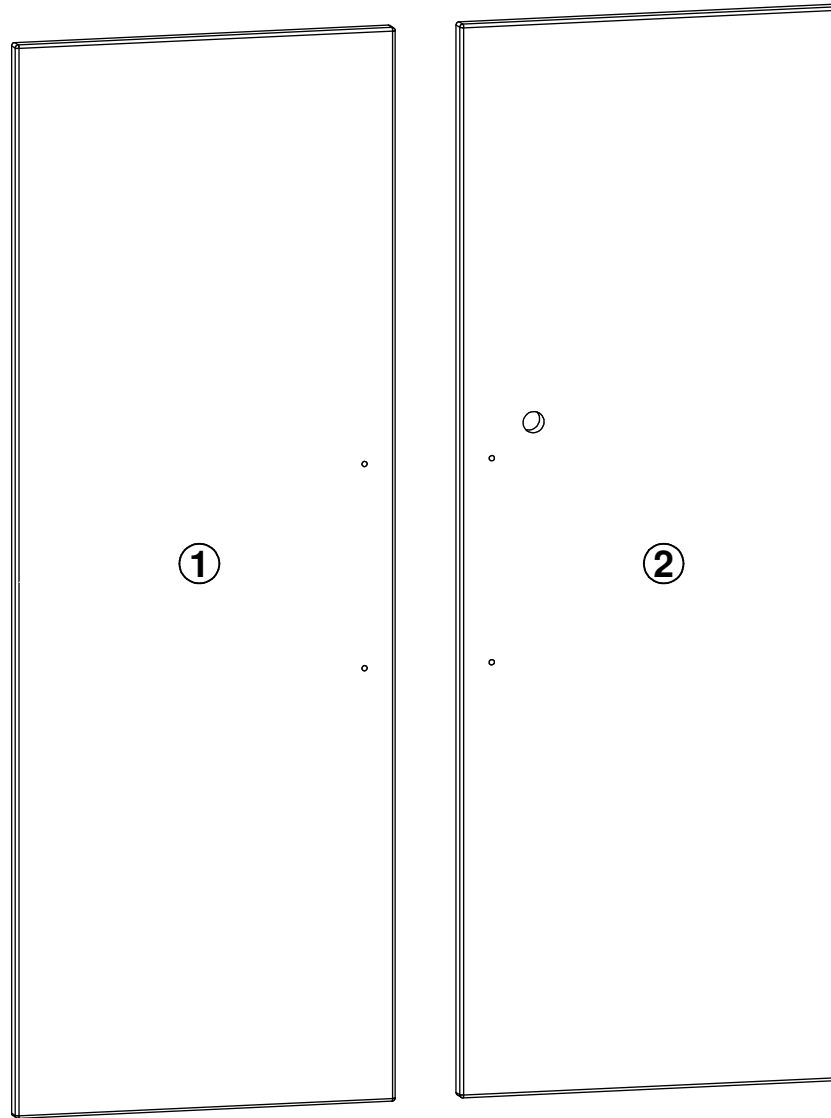


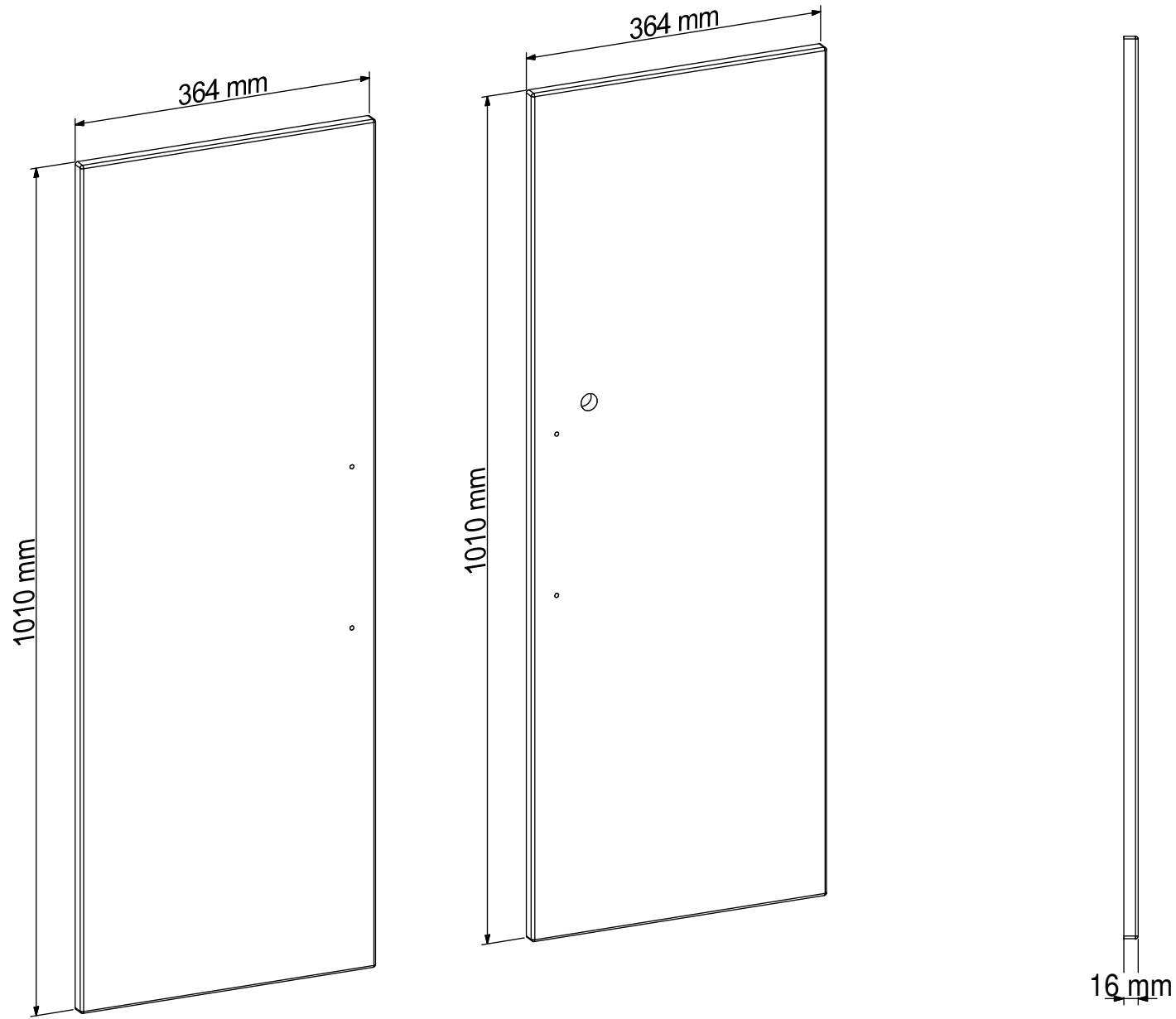
S643-REG/213/80



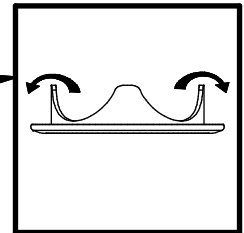
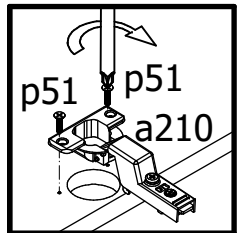
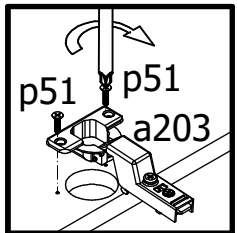
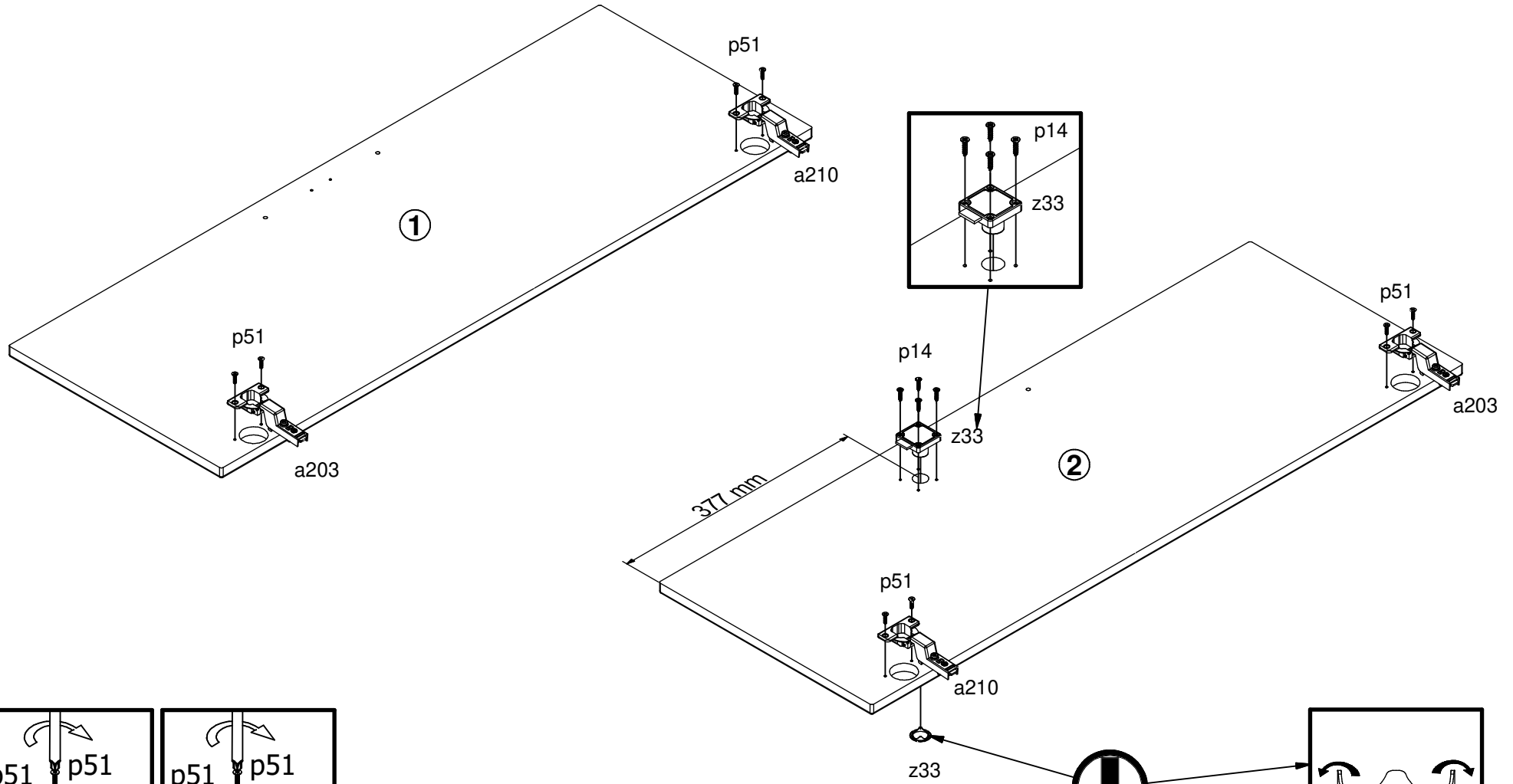
S643-REG/213/43

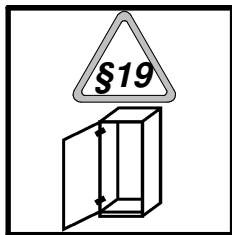
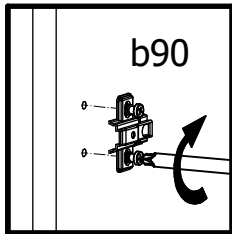
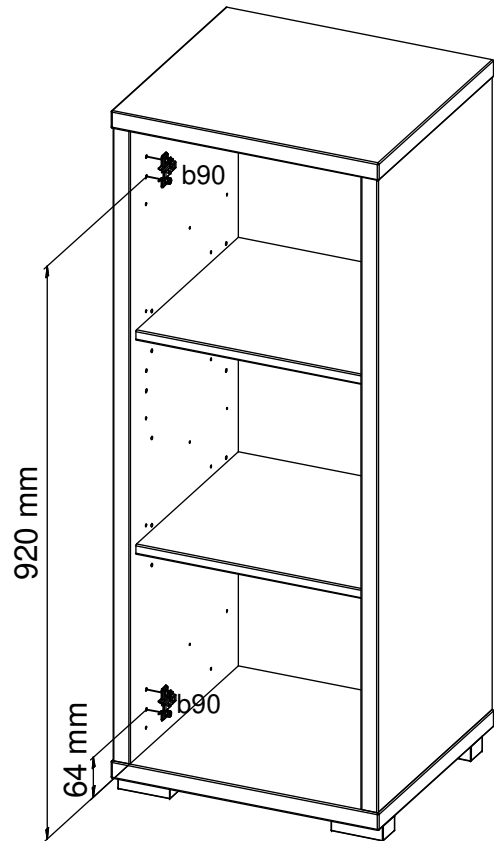




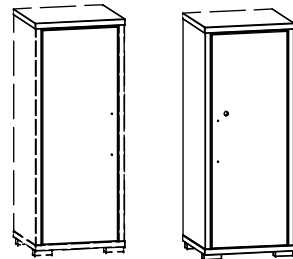


- 1 2x hamulec a203
- 2x a210
- 4x $\varnothing 3 \times 20$ mm p14
- 1x z33

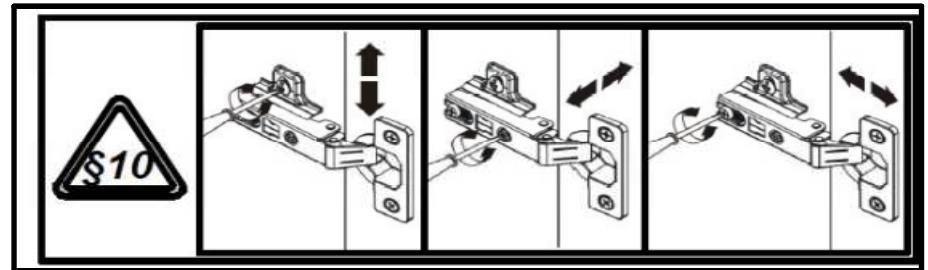
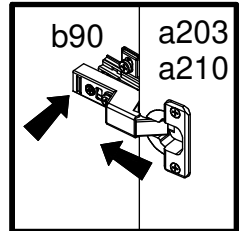
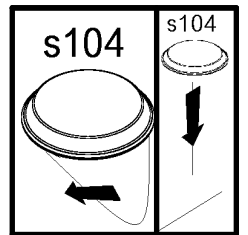
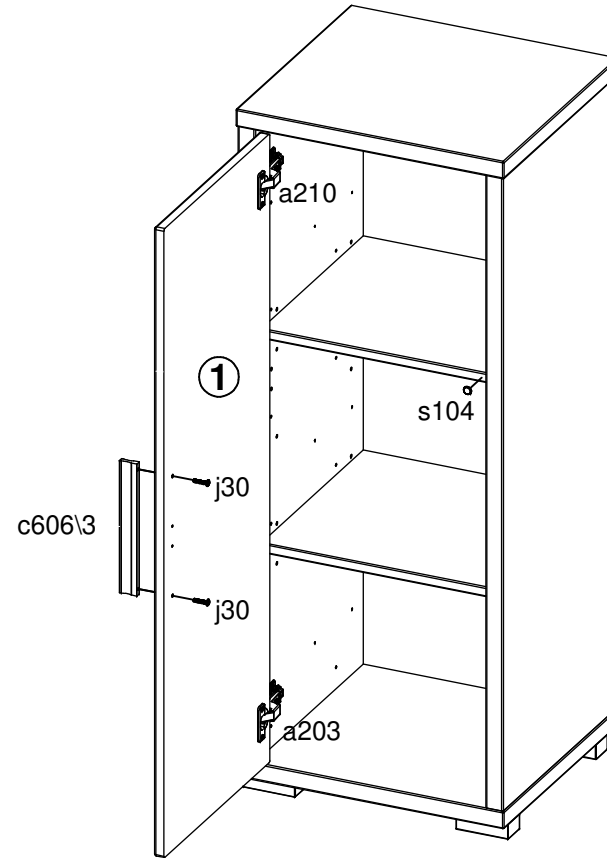
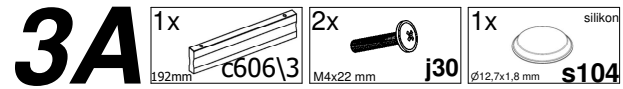




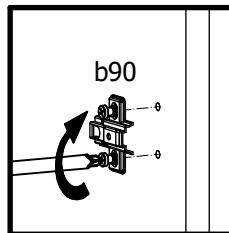
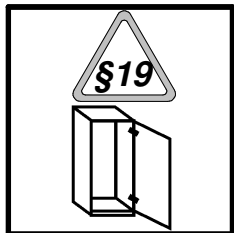
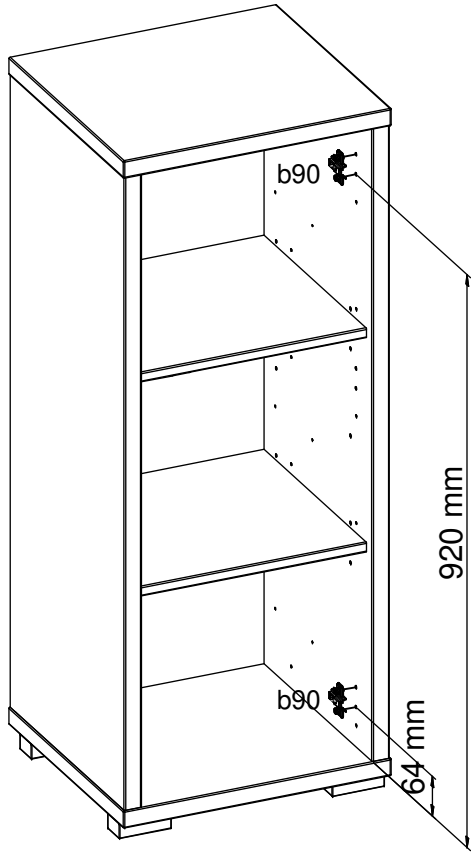
A

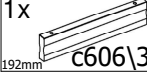

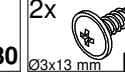
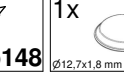


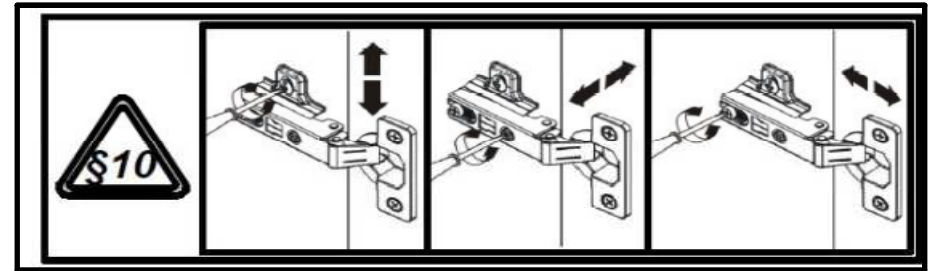
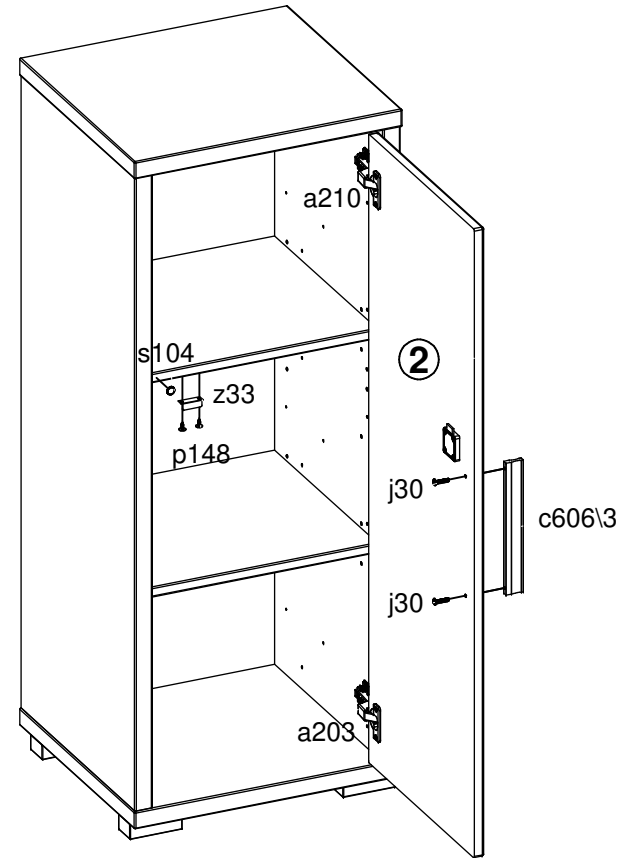
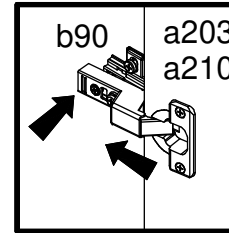
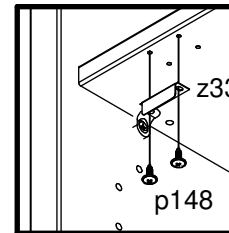
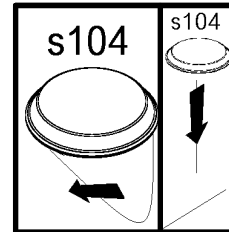
S643-REG/110/43




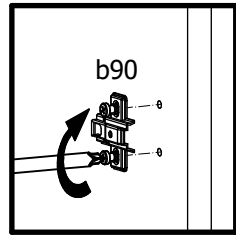
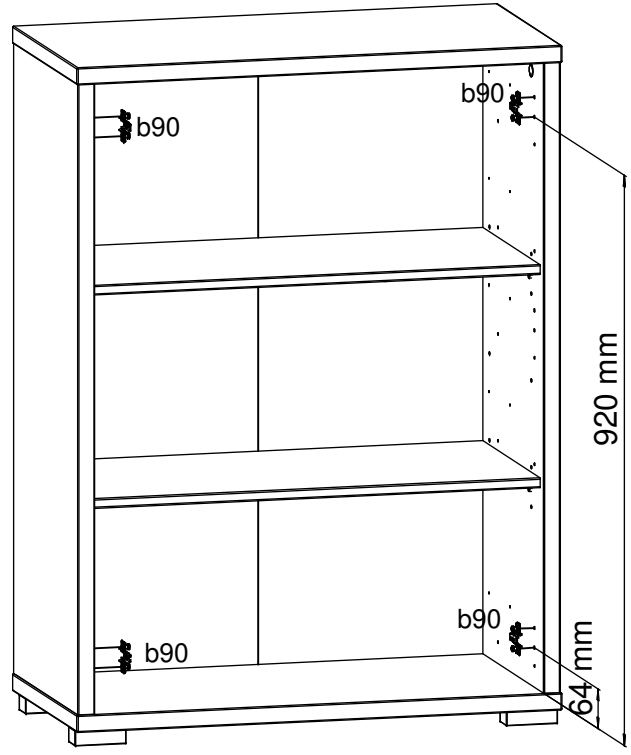
2A 2x  b90



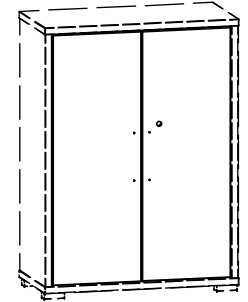
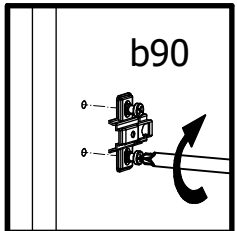
3A 1x  c606/3 192mm
2x  j30 M4x22 mm
2x  p148 Ø3x13 mm
1x  s104 silikon Ø12.7x1.8 mm



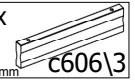
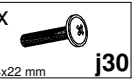
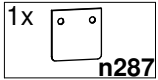
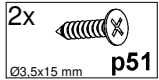

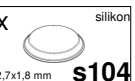
2B 4x  b90

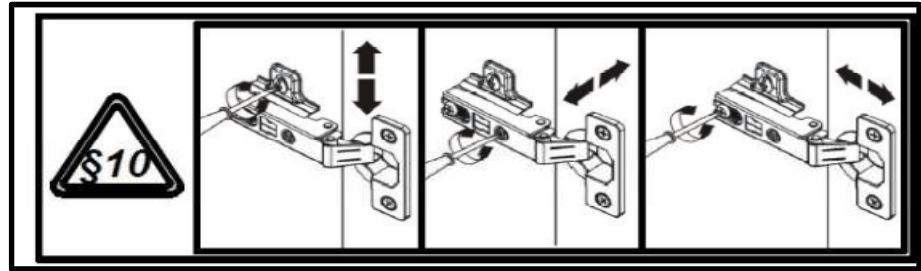
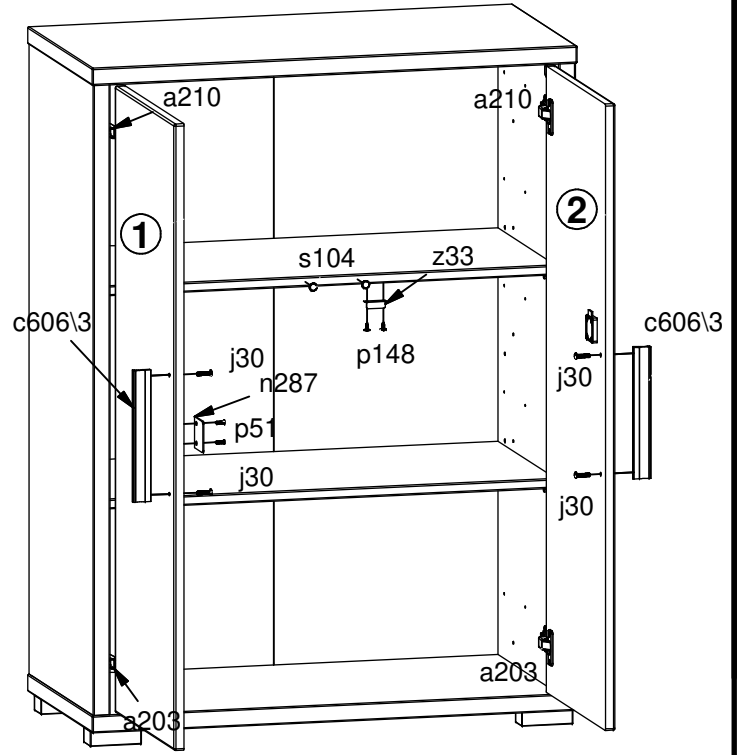
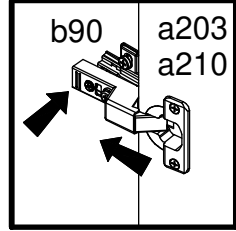
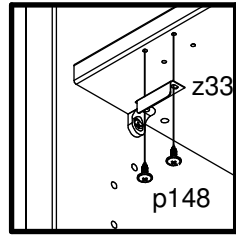
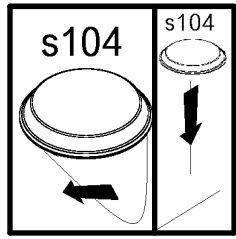


B

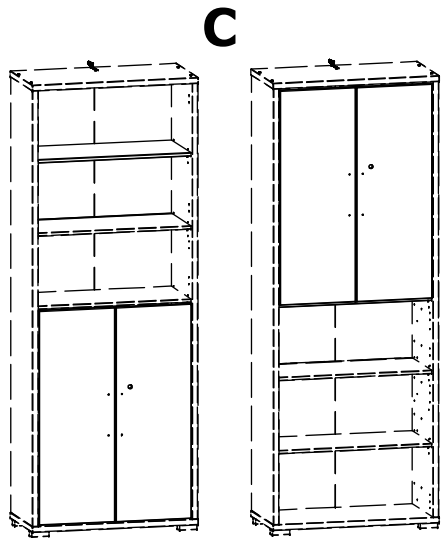


S643-REG/110/80

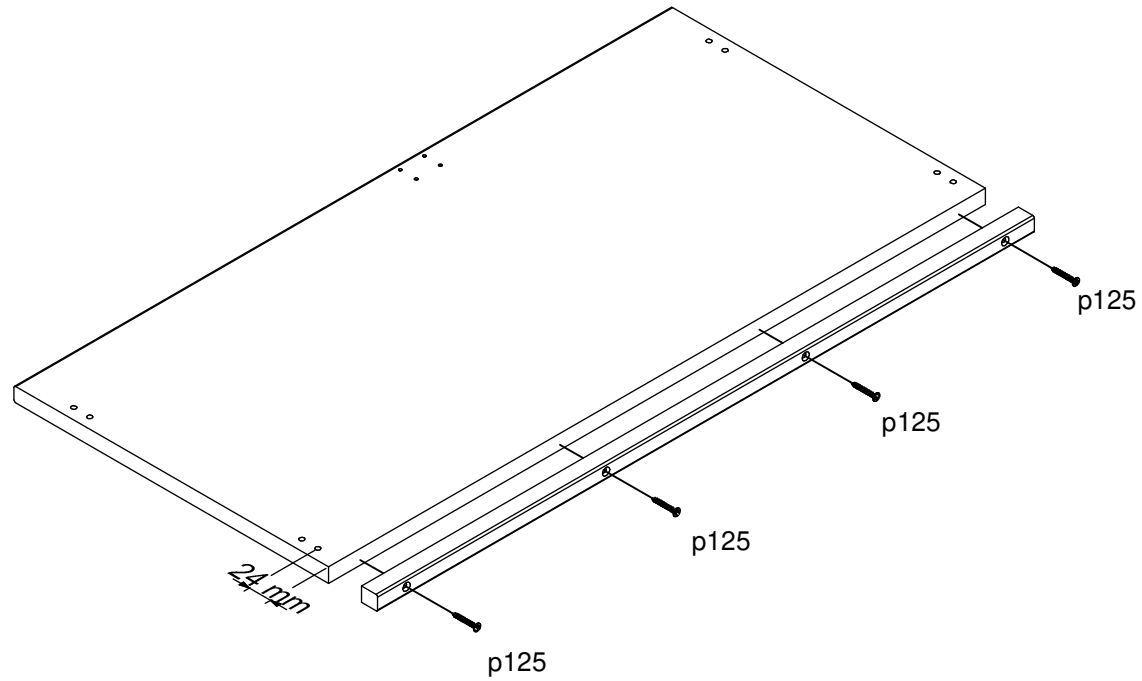
3B 2x  c606/3 4x  j30 1x  n287 2x  p51 2x  p148 2x  s104



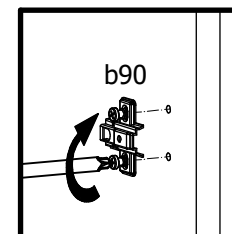
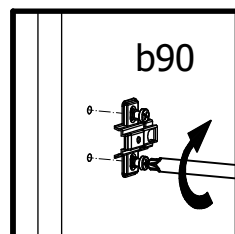
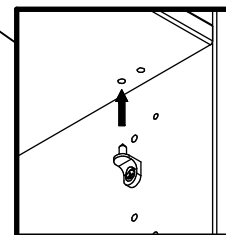
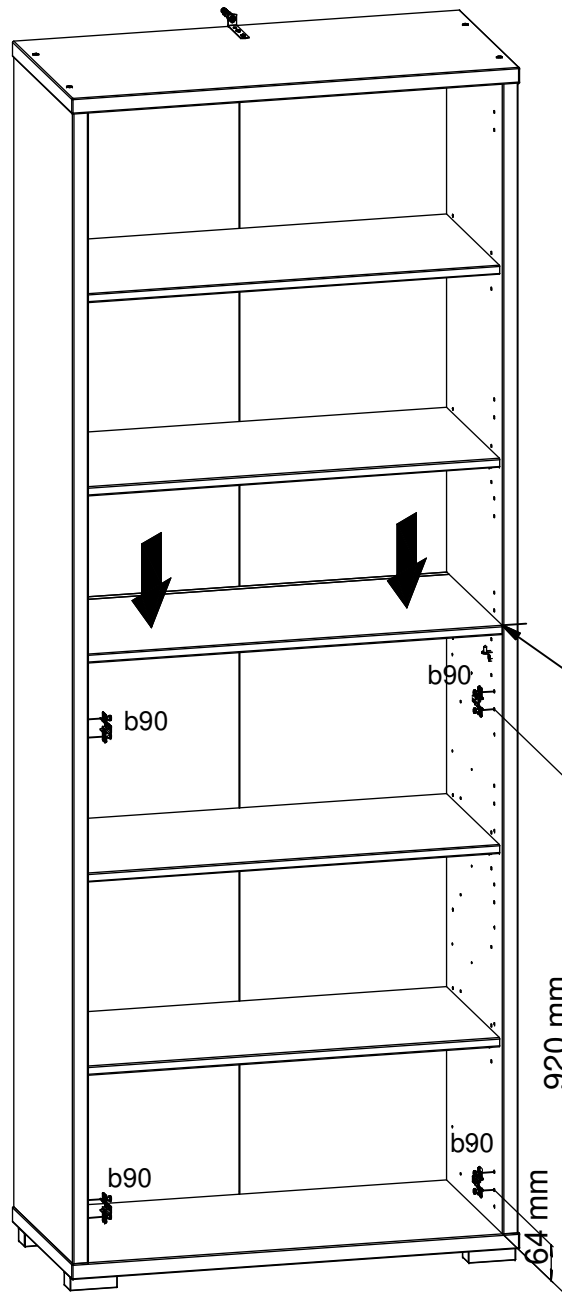
2C



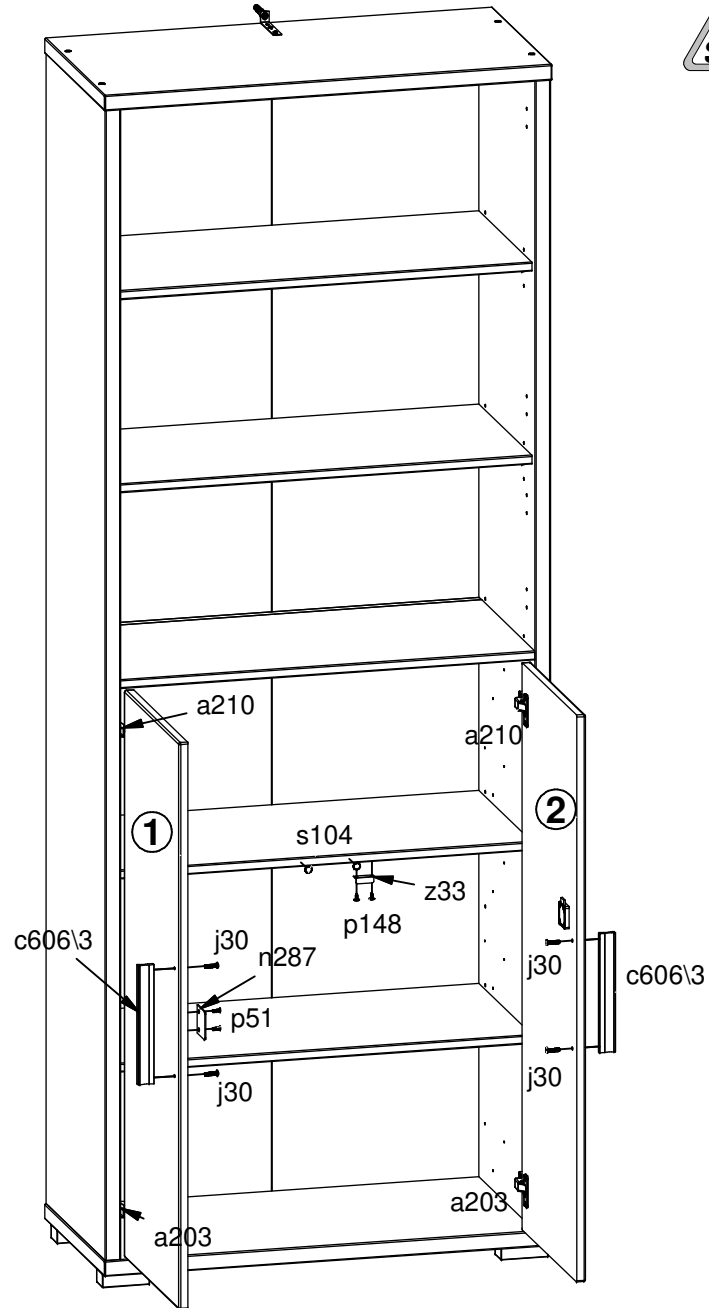
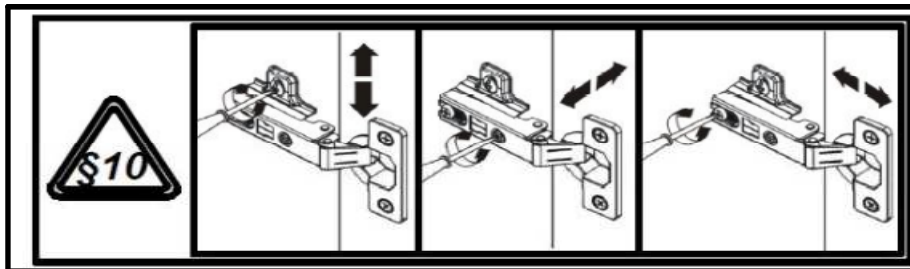
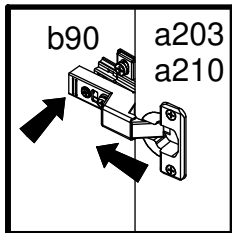
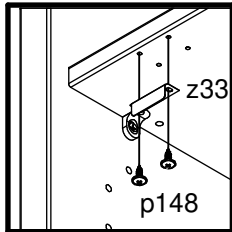
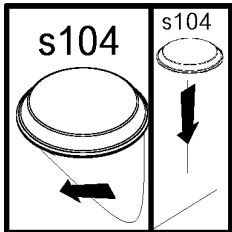
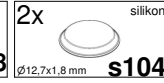
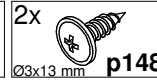
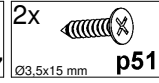
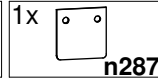
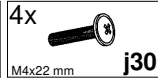
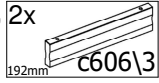
S643-REG/213/80



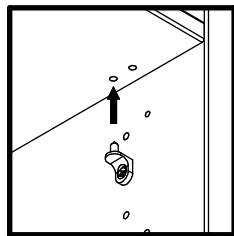
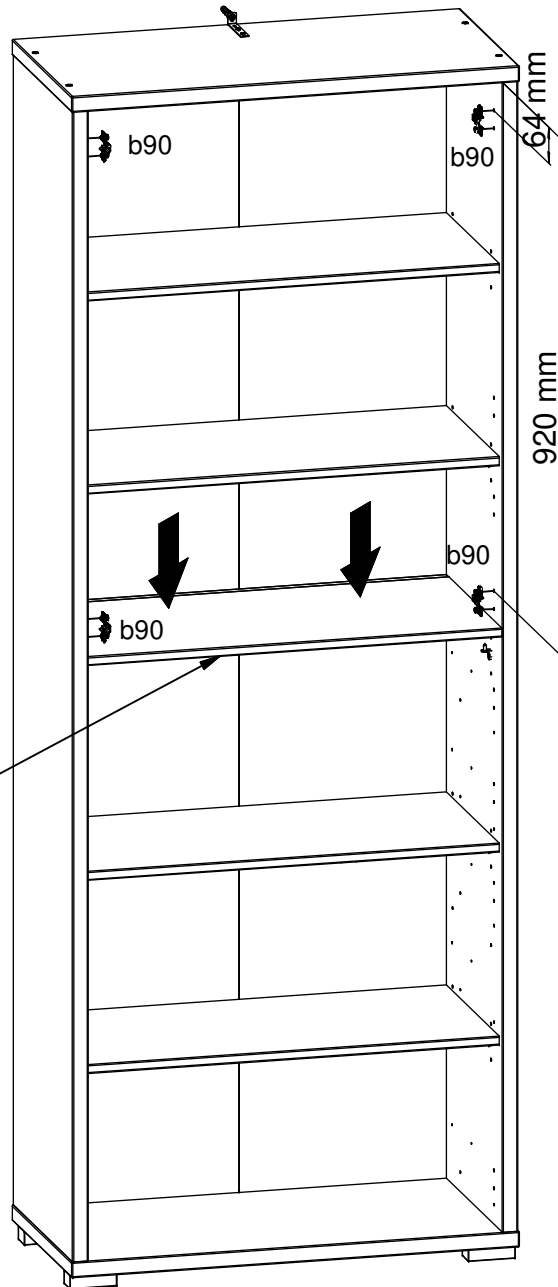
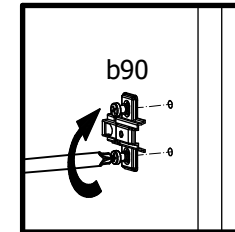
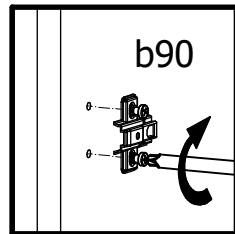
3C  4x D2
b90



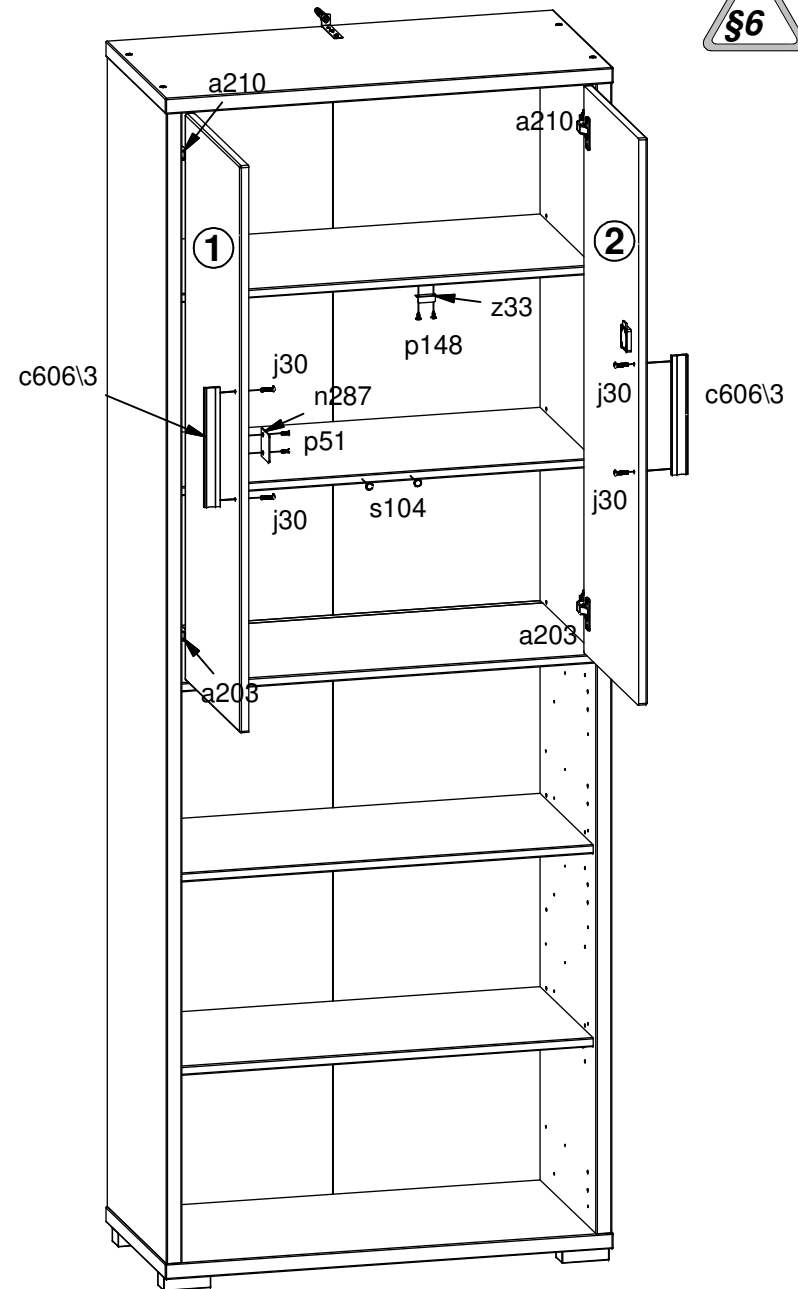
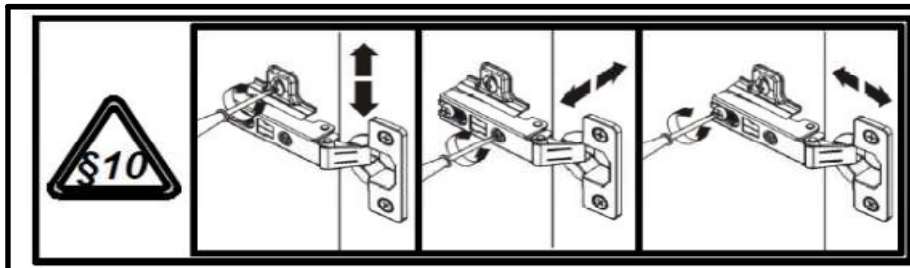
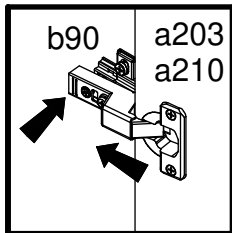
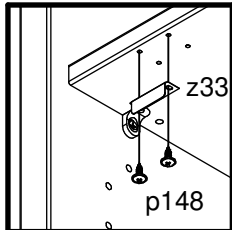
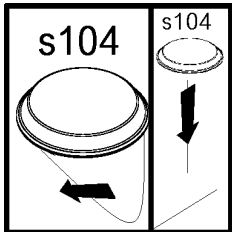
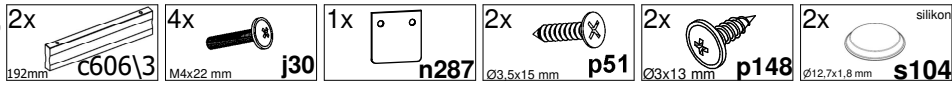
4C



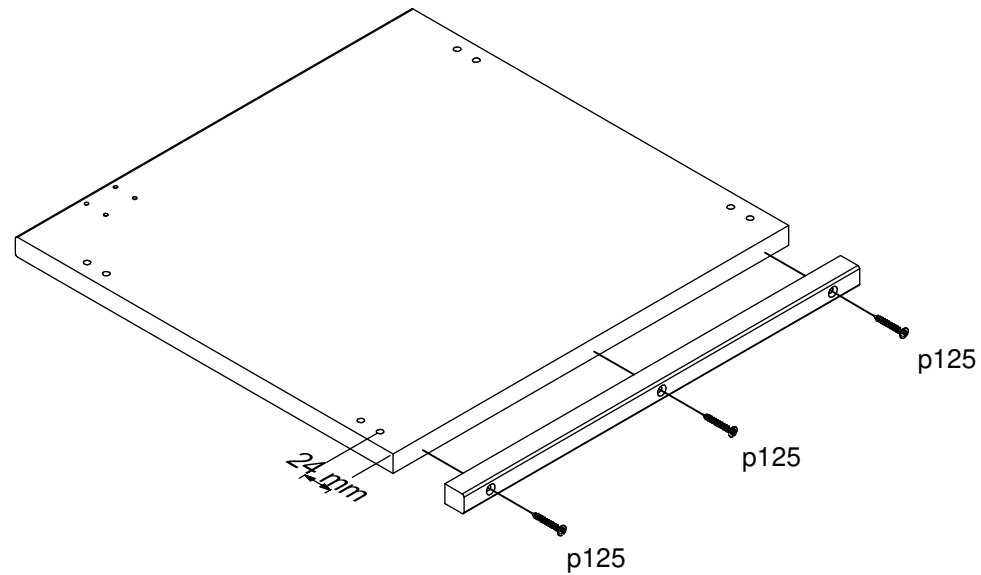
5C



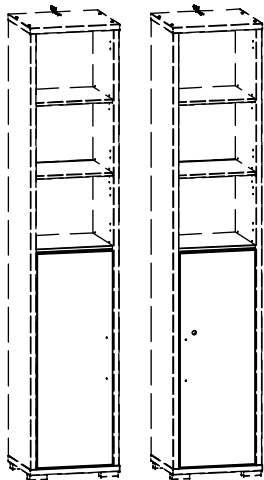
6C



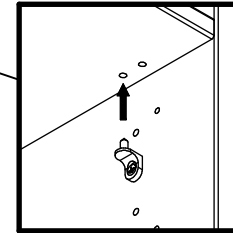
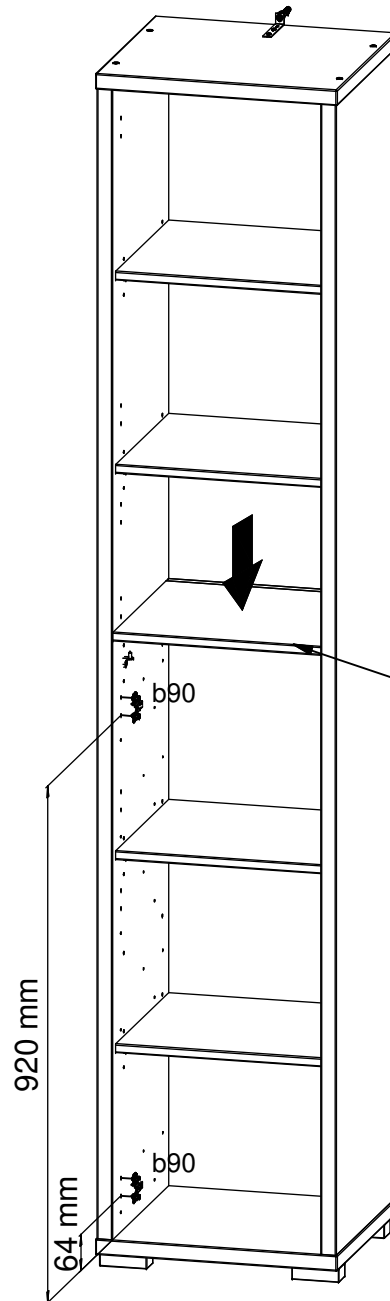
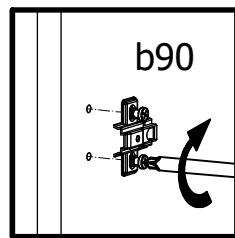
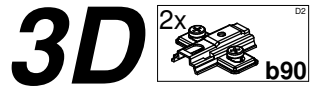
2D



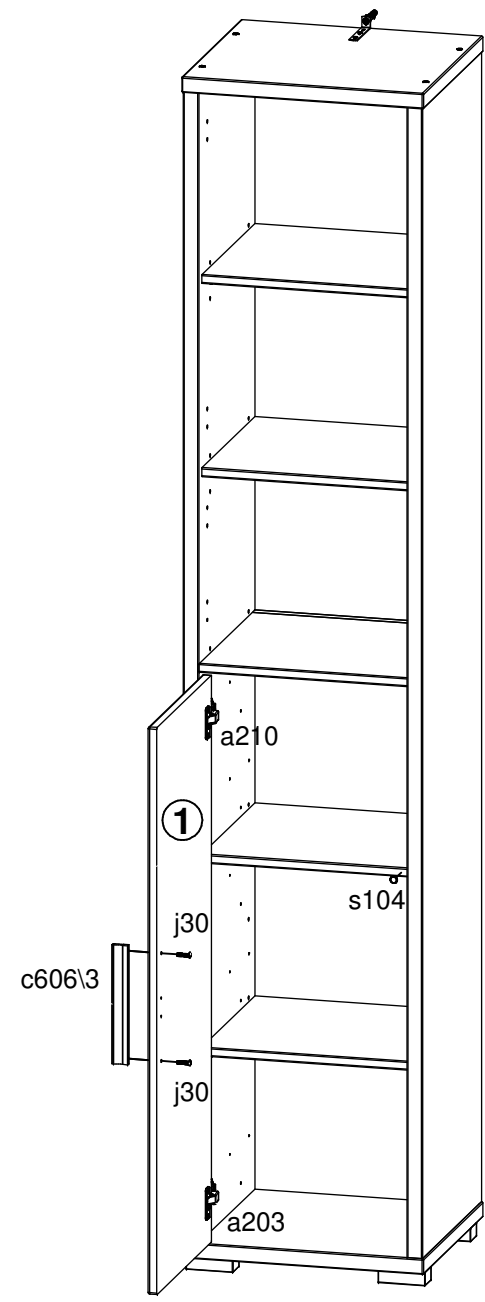
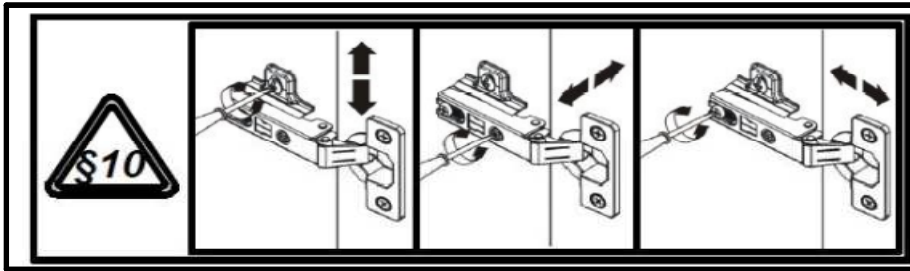
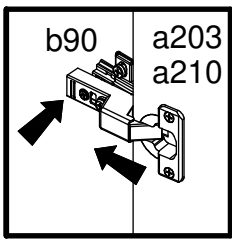
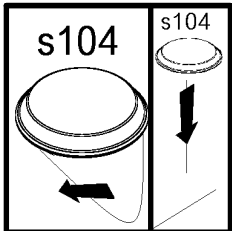
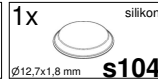
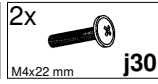
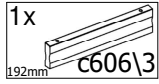
D

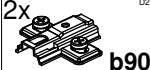


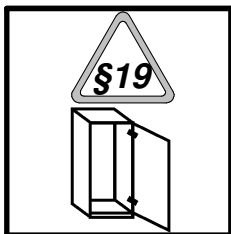
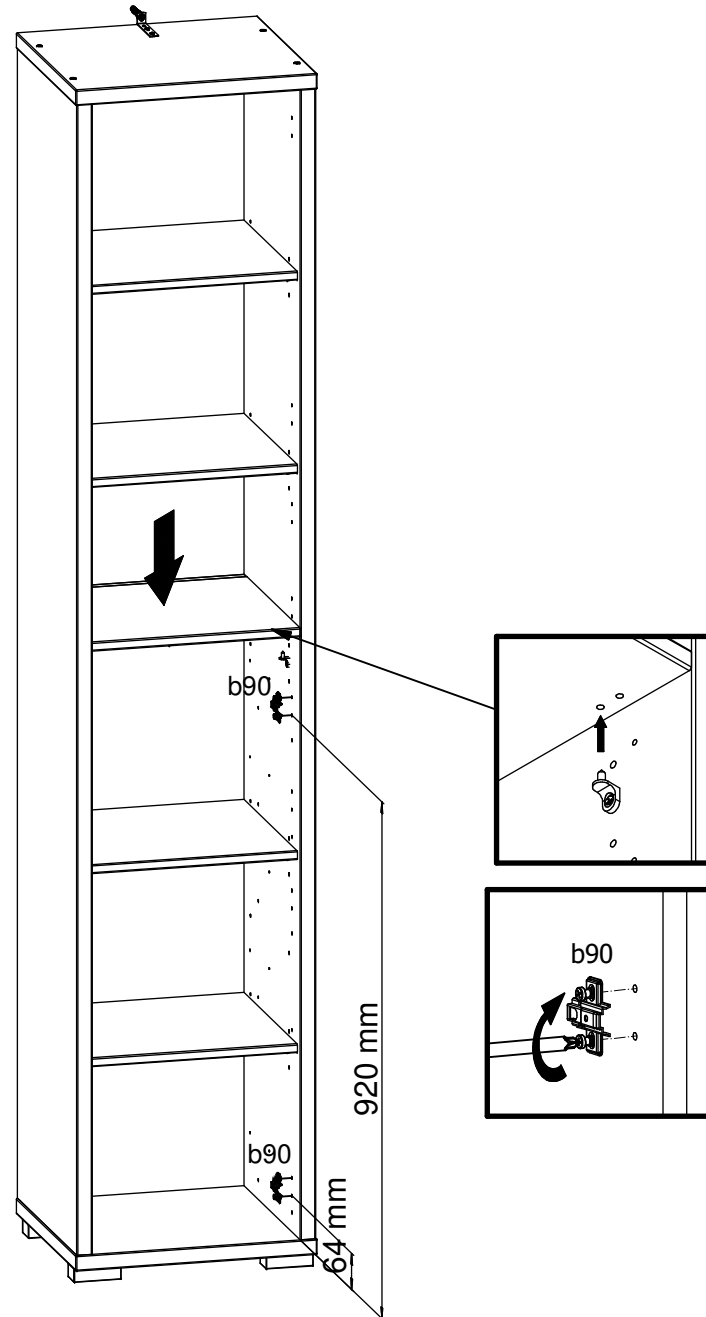
S643-REG/213/43

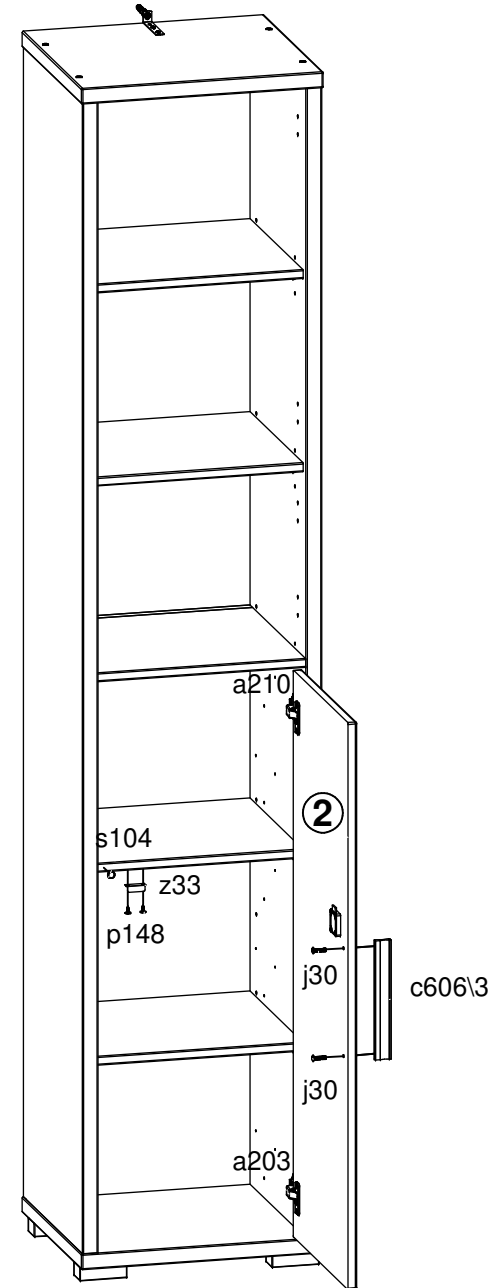
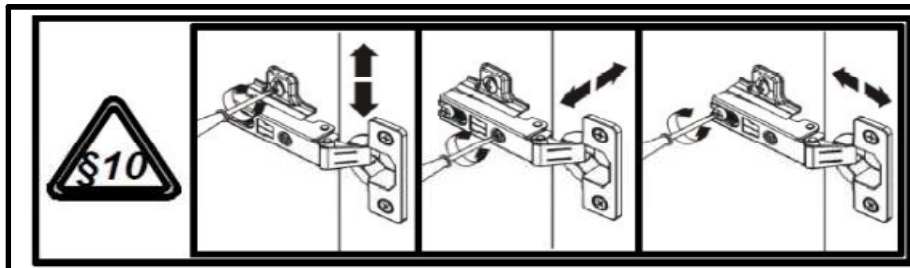
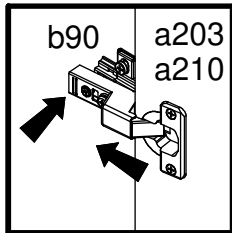
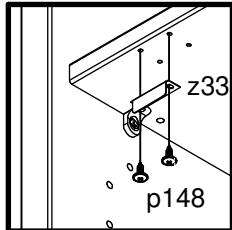
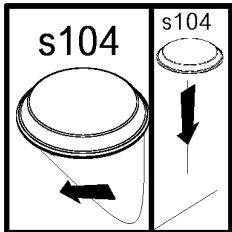
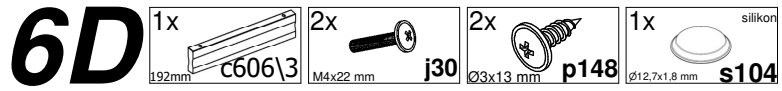


4D

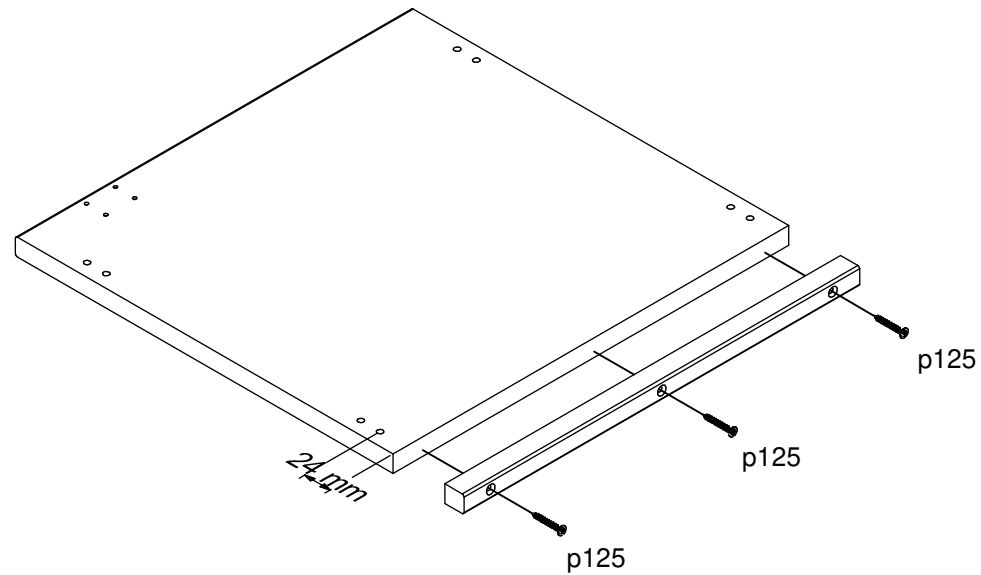


5D  2x ⁰²
b90

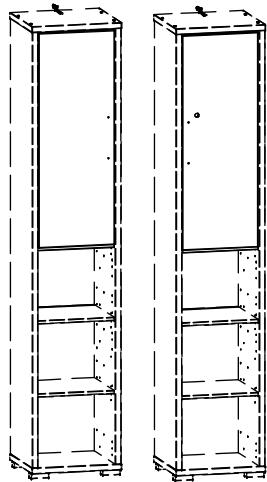




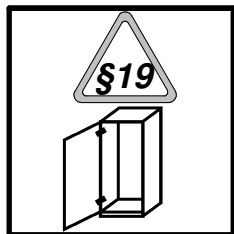
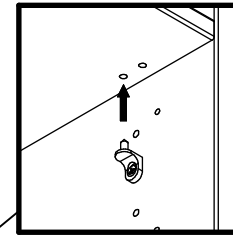
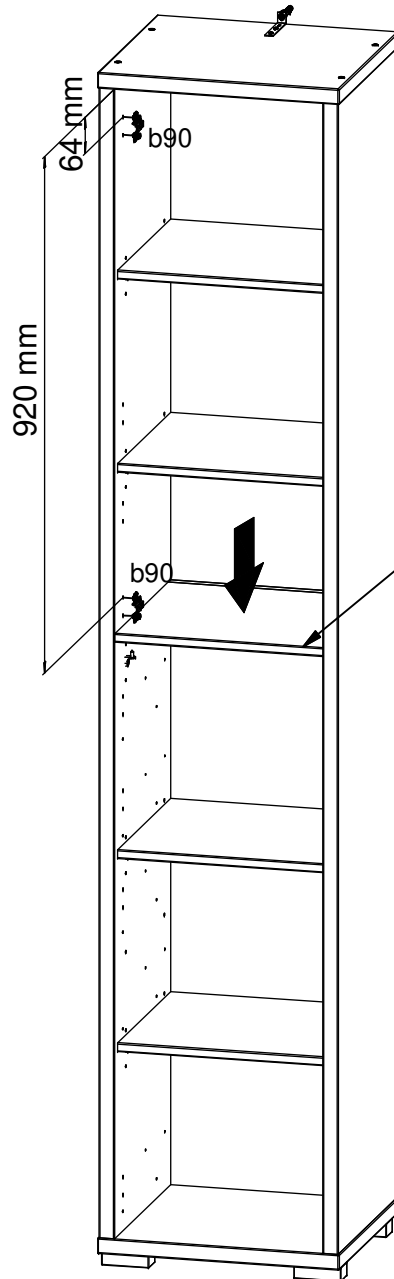
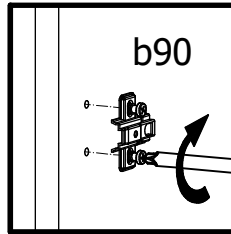
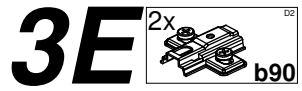
2E

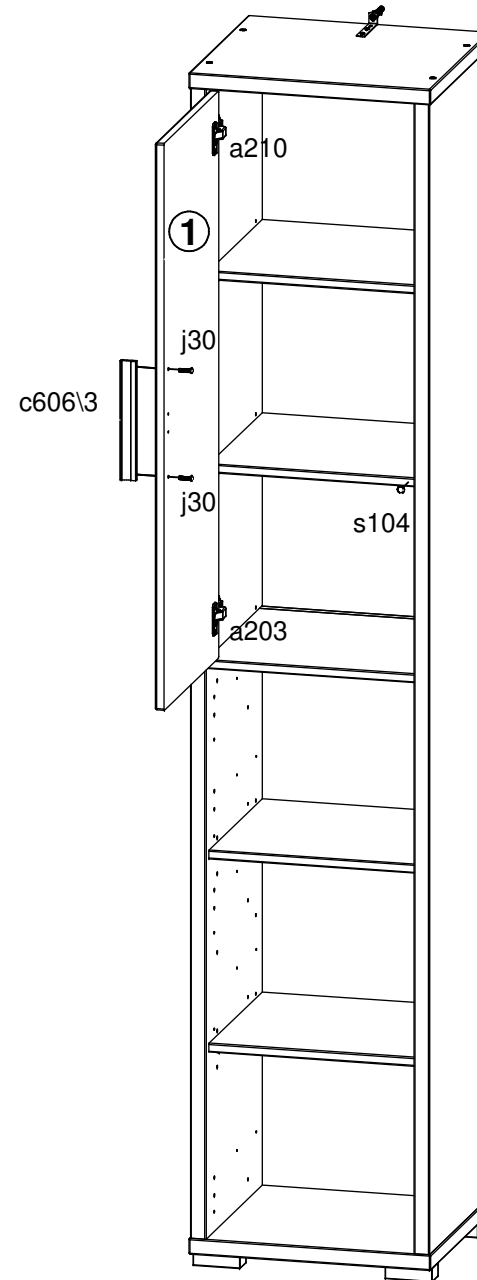
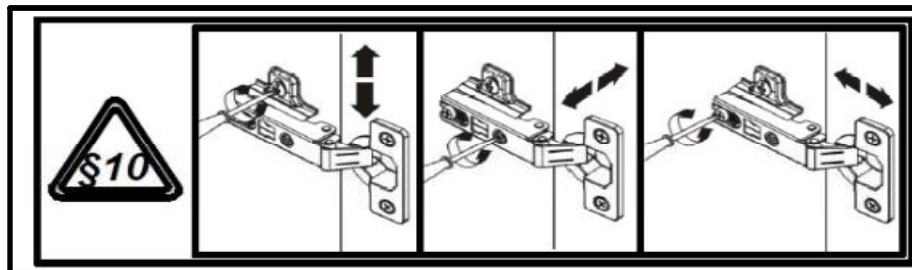
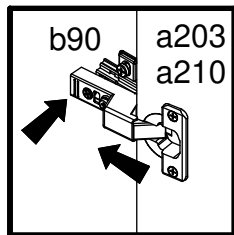
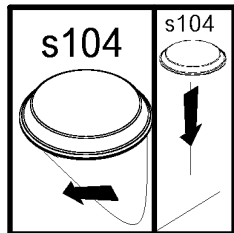
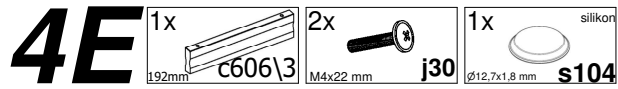


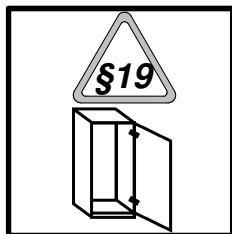
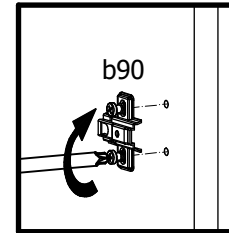
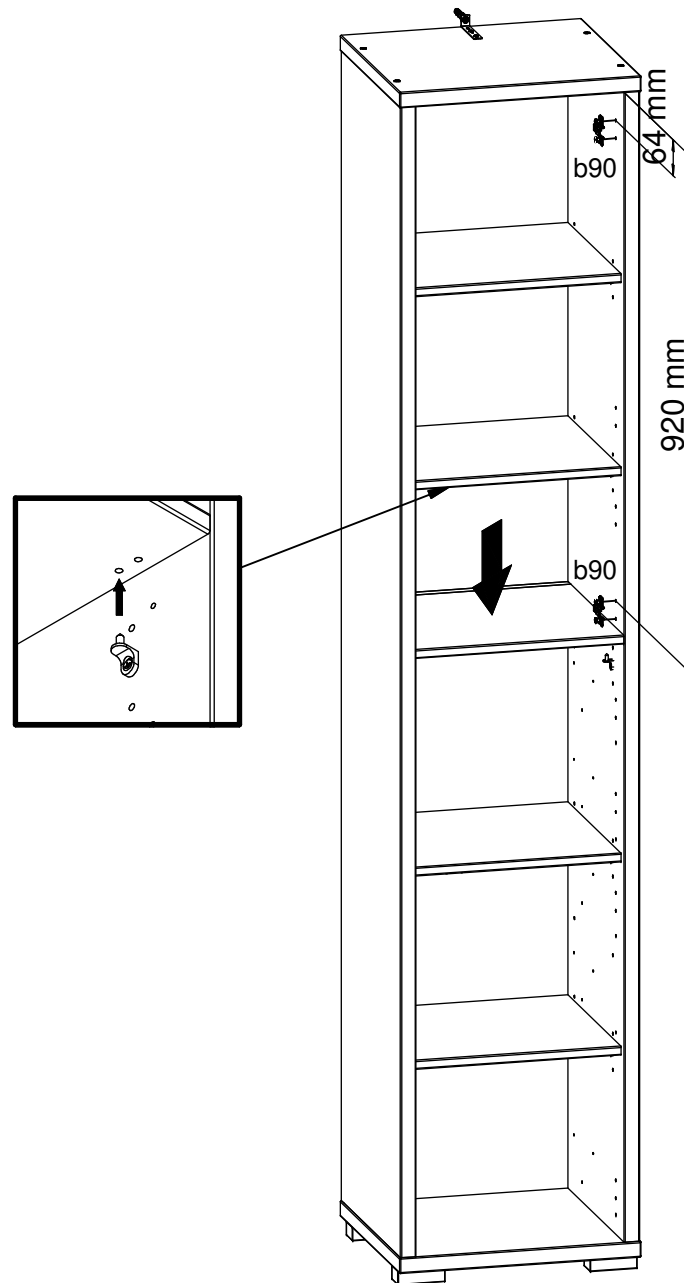
E



S643-REG/213/43

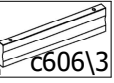




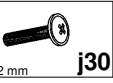


6E

1x



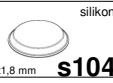
2x



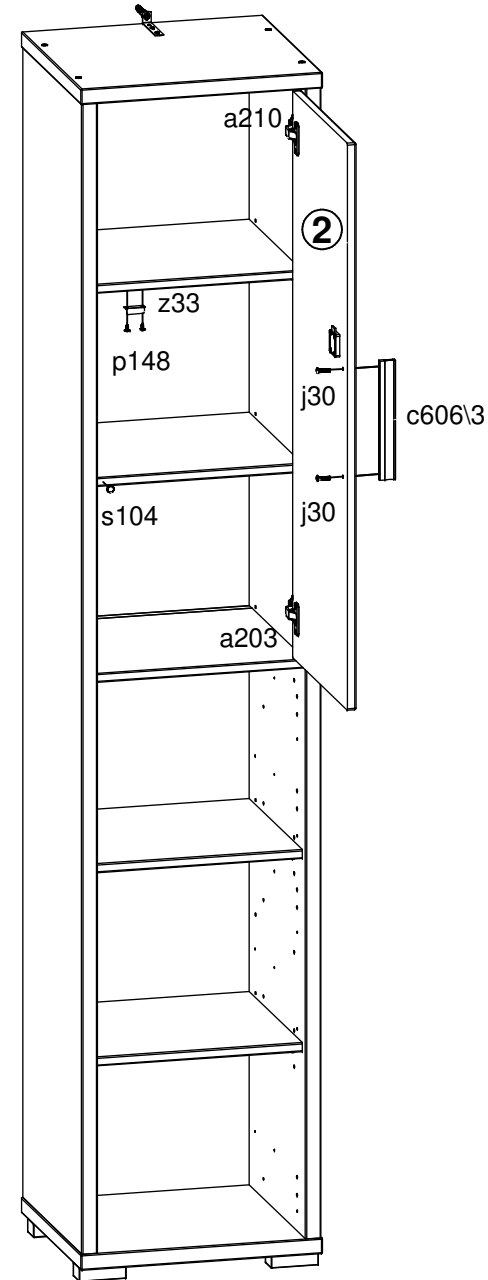
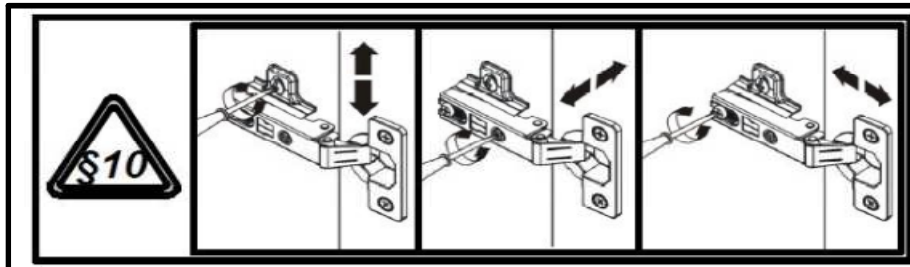
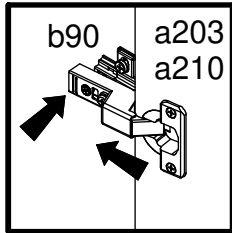
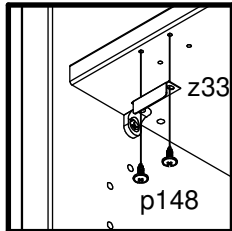
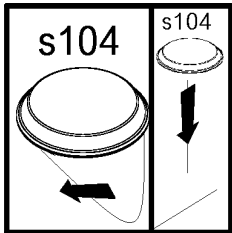
2x



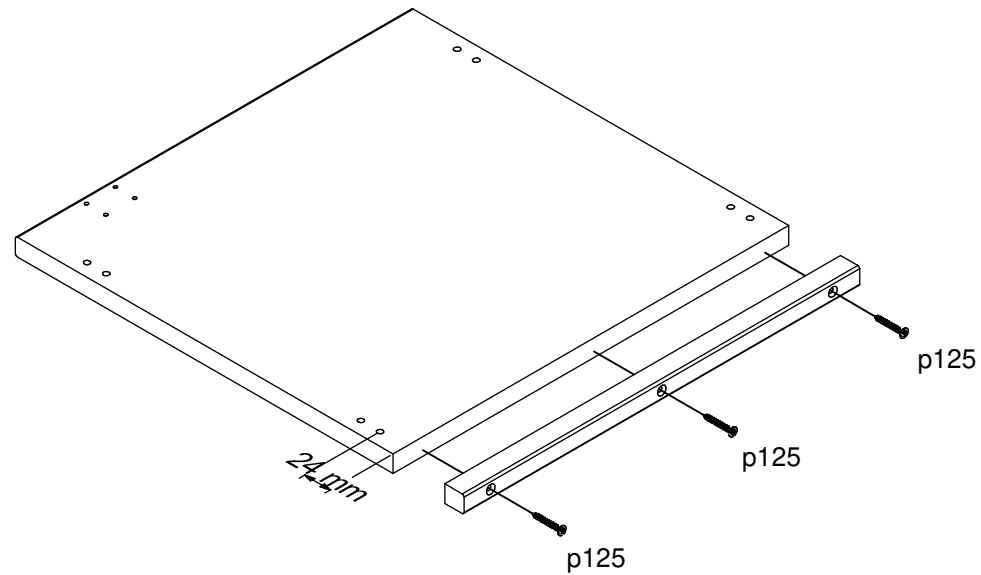
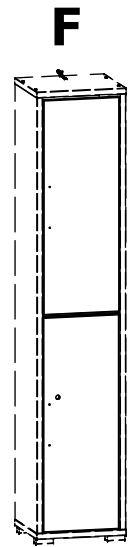
1x



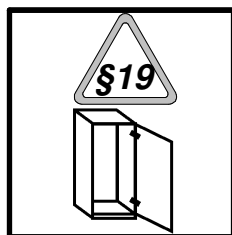
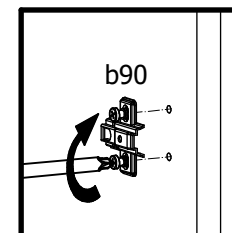
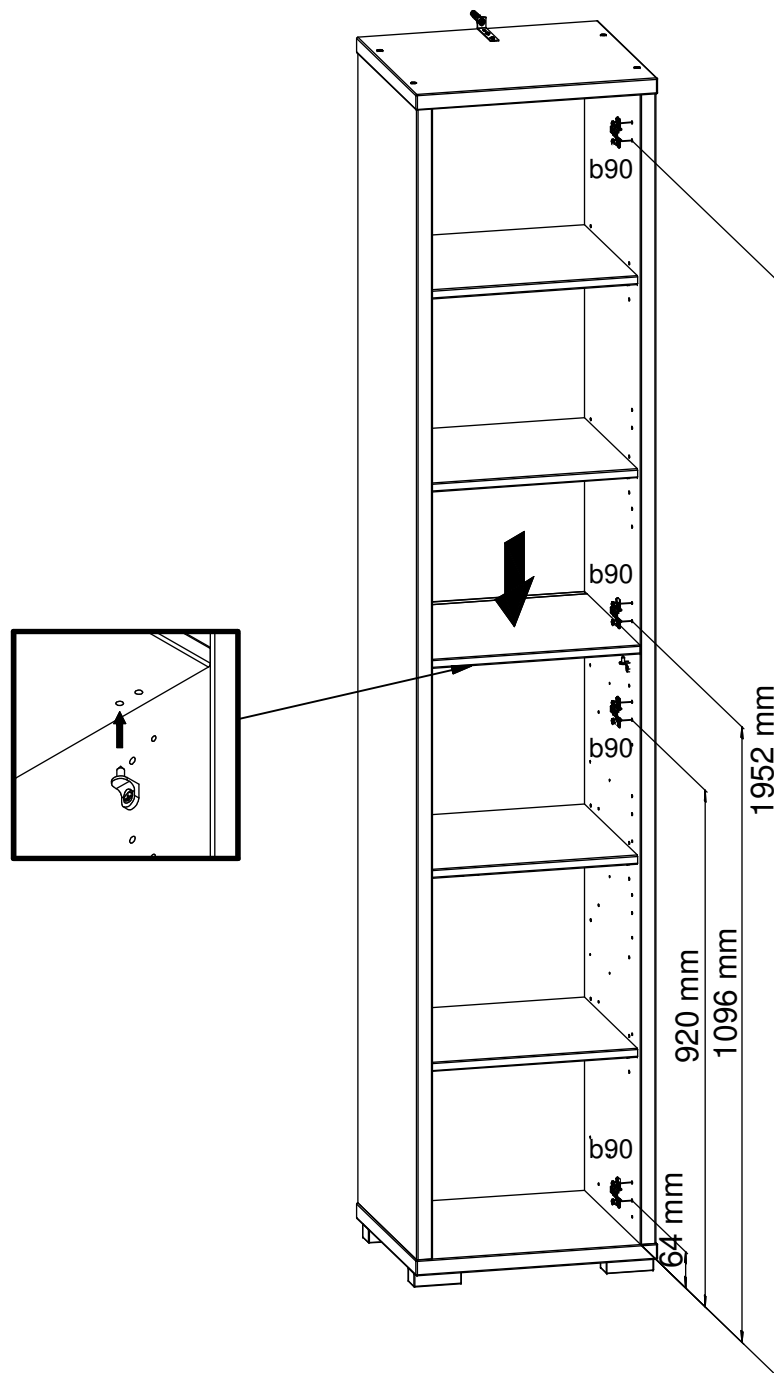
silikon
s104



2F



S643-REG/213/43

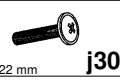


4F

2x



4x



2x



2x

