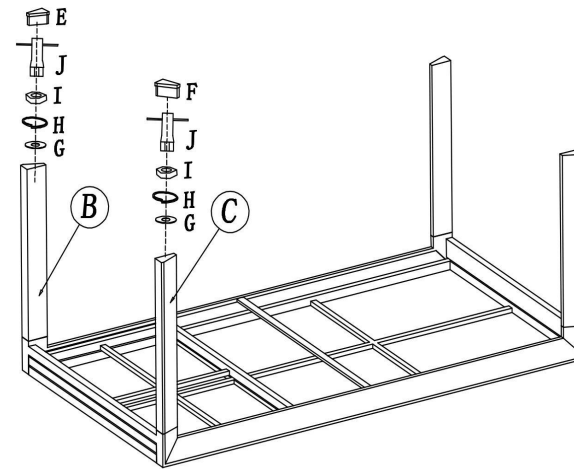
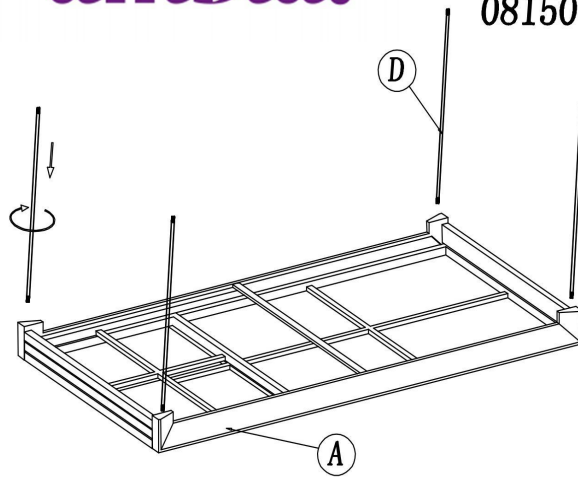


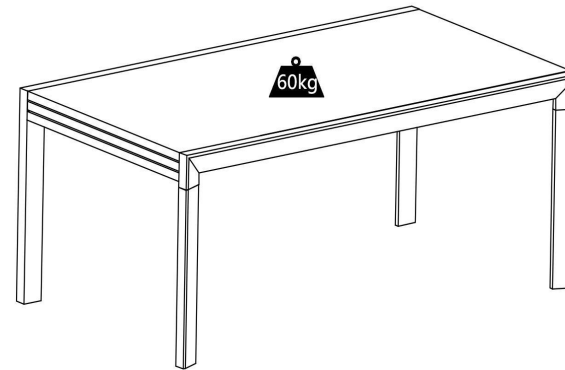
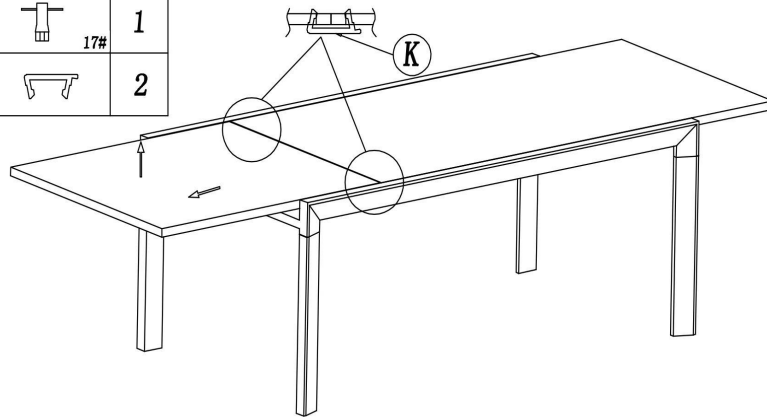
GARDEN
ambia.

1234652
08150008/17

NO	PICTURE	QTY
A		1
B		2
C		2
D		4
E		2
F		2
G		4
H		4
I		4
J		1
K		2



①
②
③
④



15min