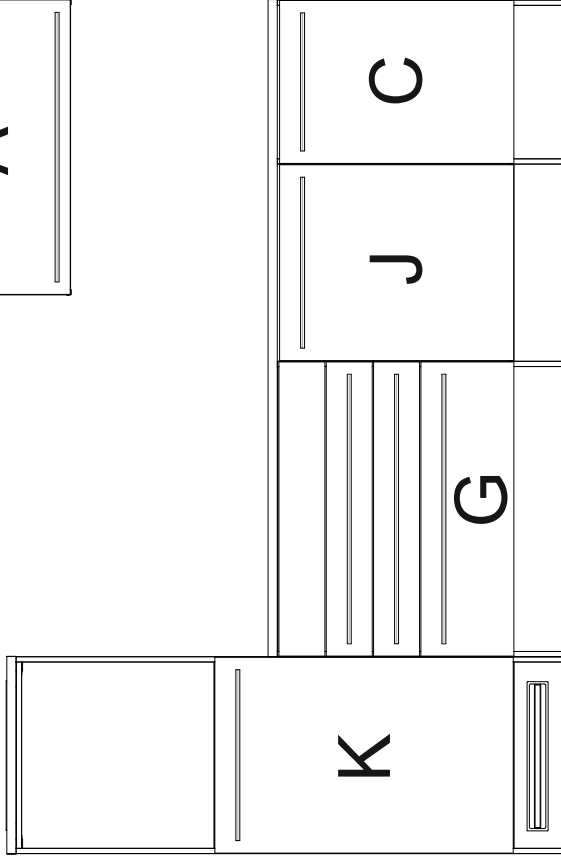
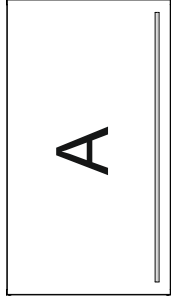
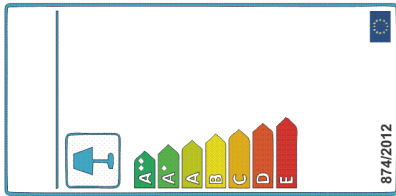


.....  
 Hergestellt für:  
 .....  
 .....  
 serie: xxx  
 .....  
 .....



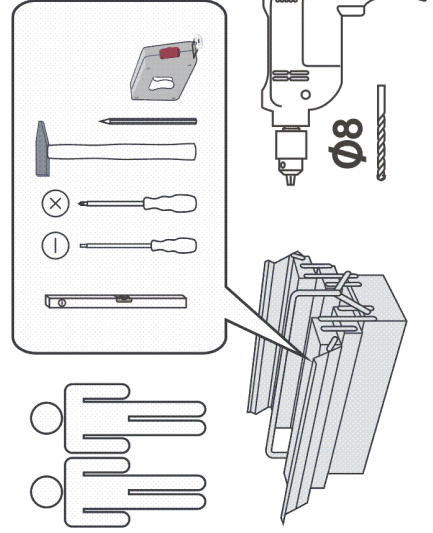
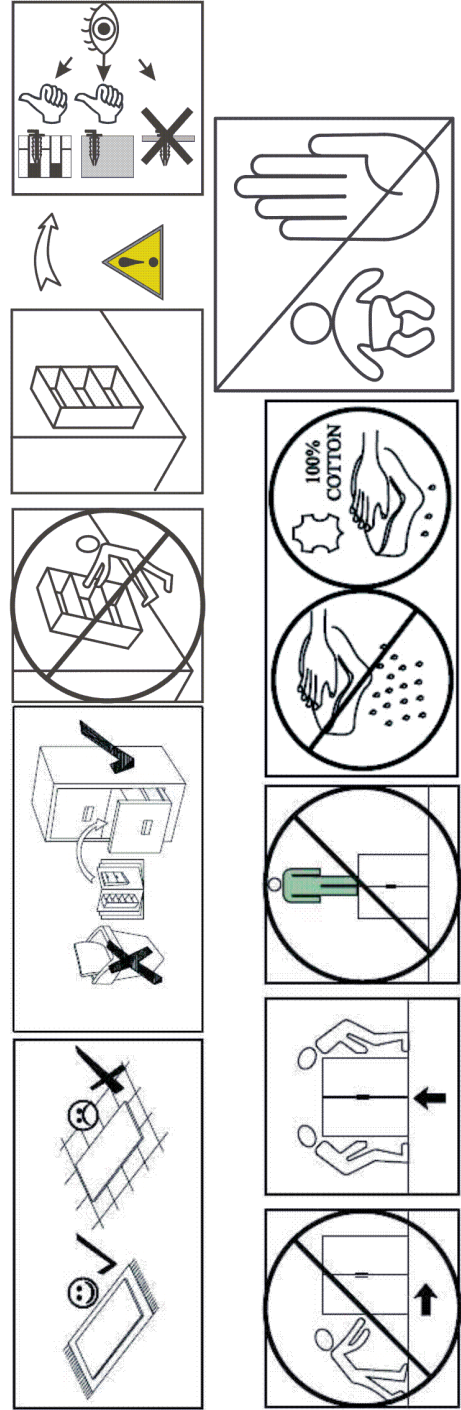
<http://www.bega-gruppe.de>

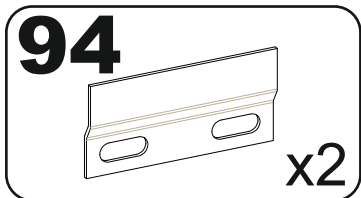
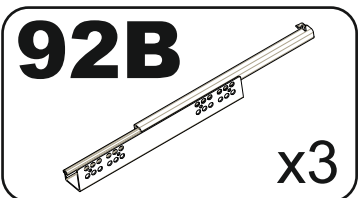
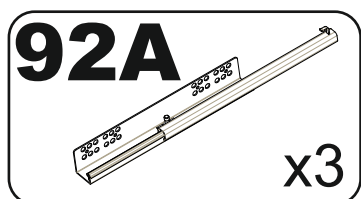
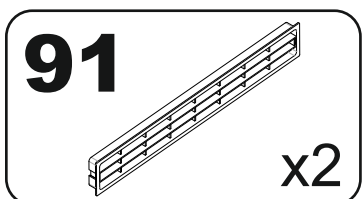
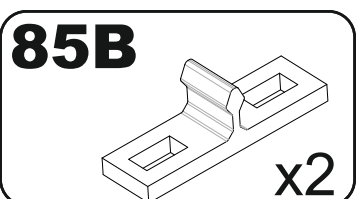
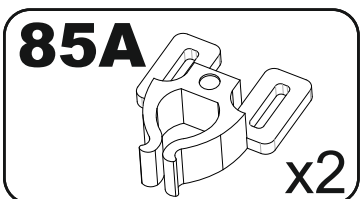
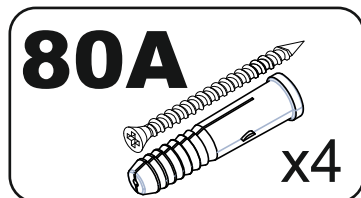
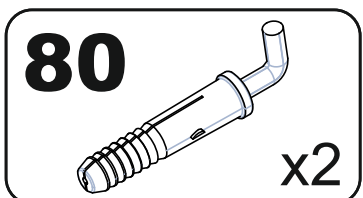
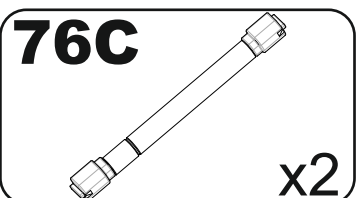
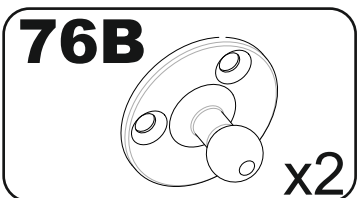
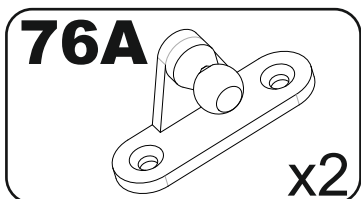
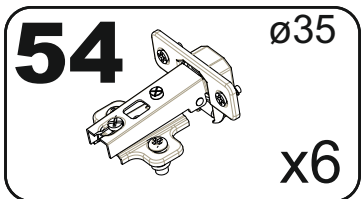
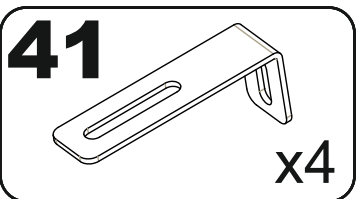
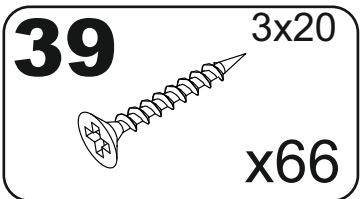
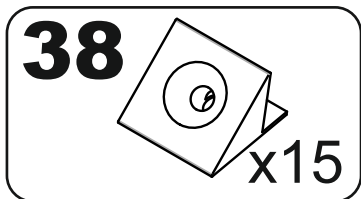
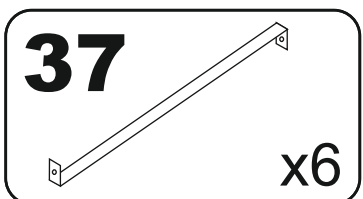
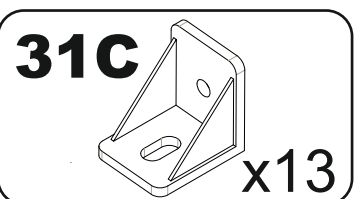
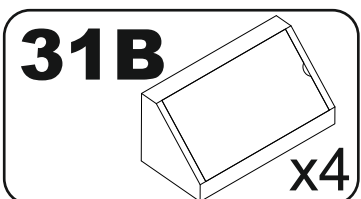
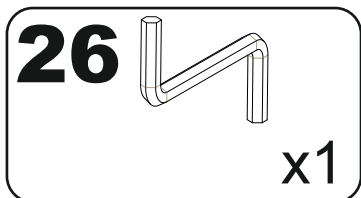
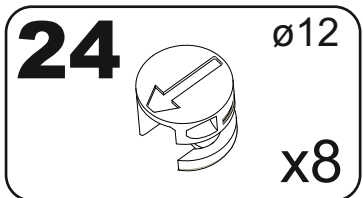
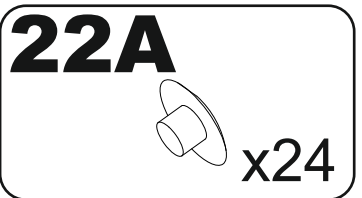
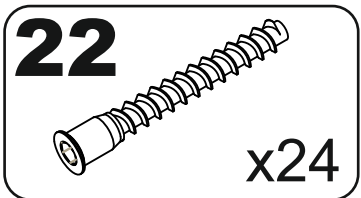
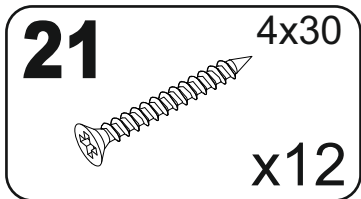
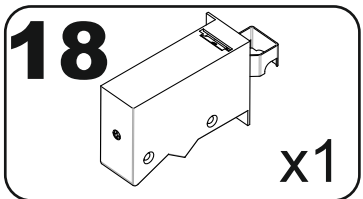
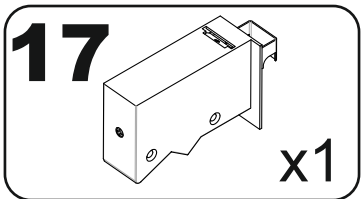
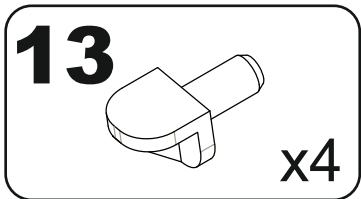
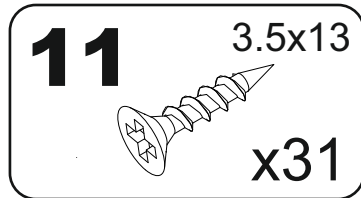
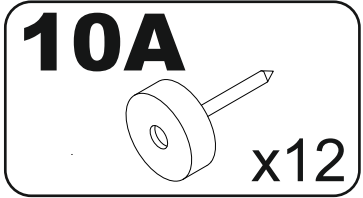
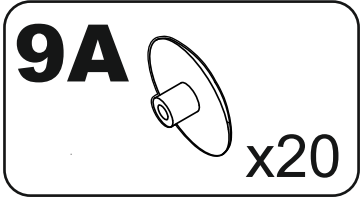
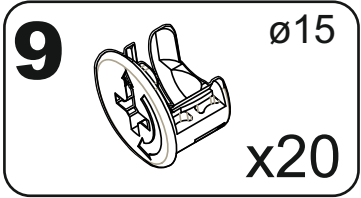
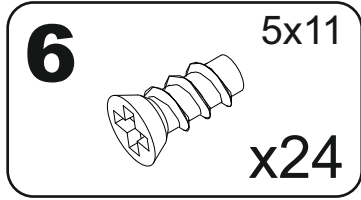
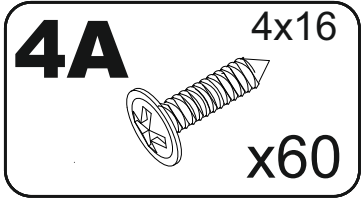
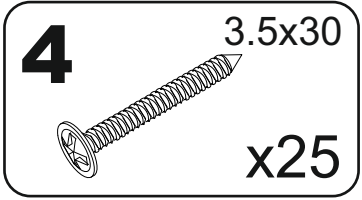
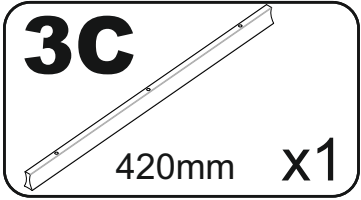
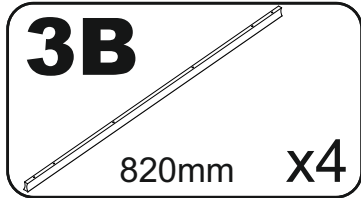
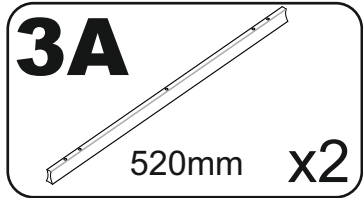
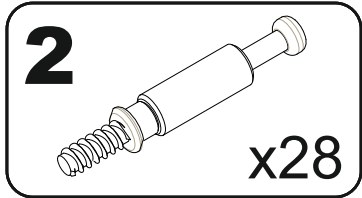
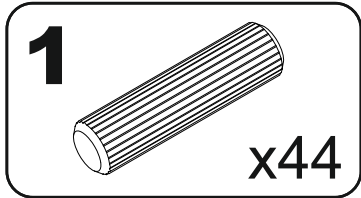


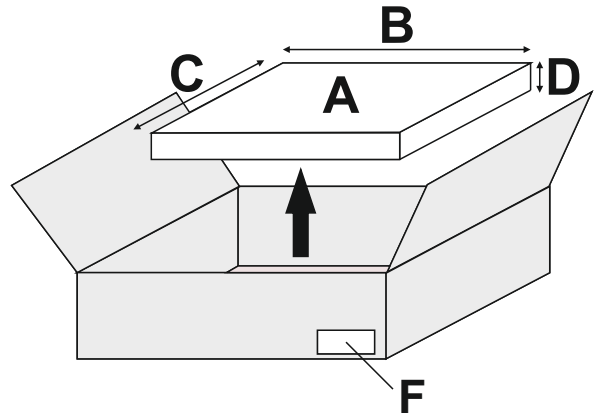
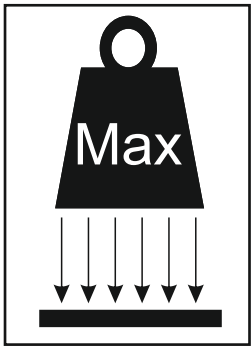
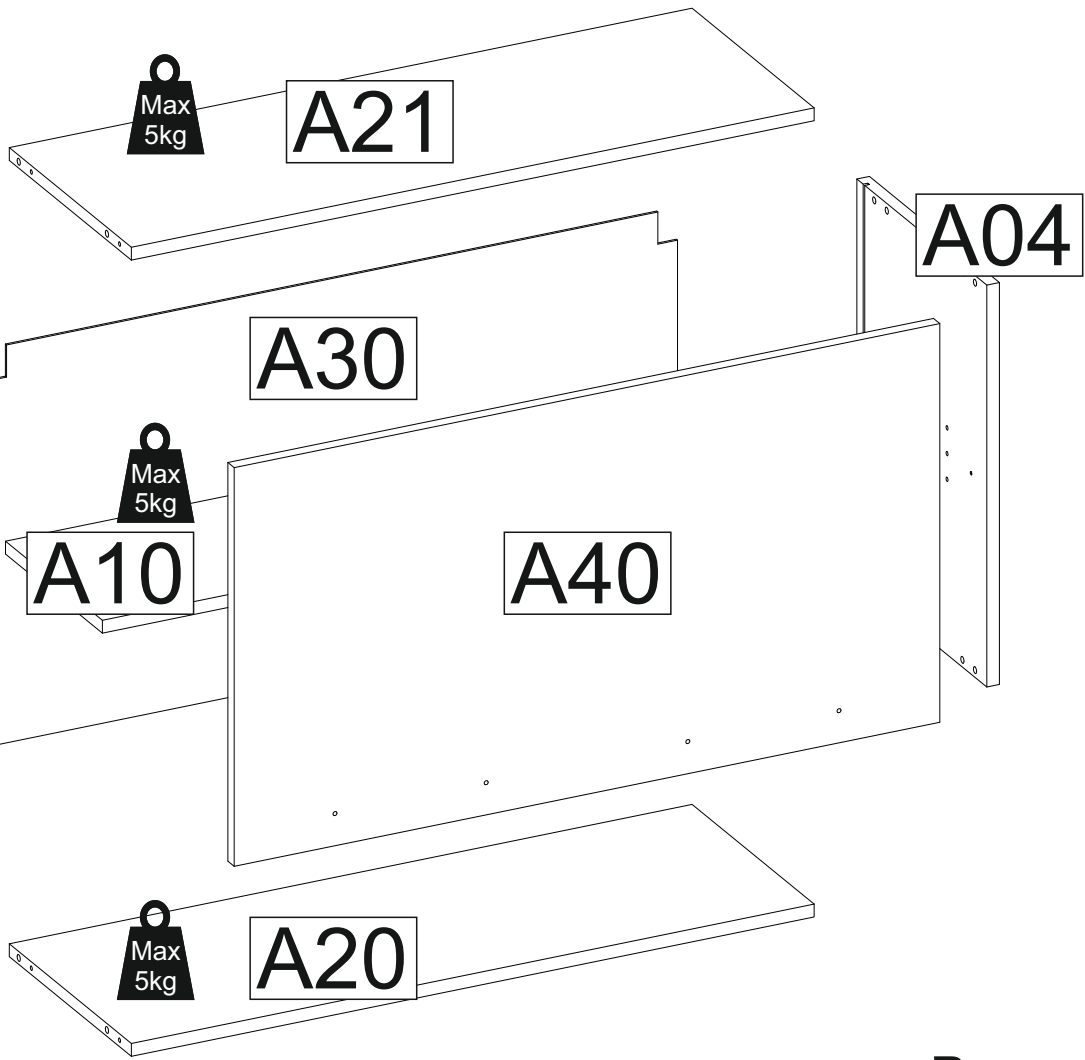
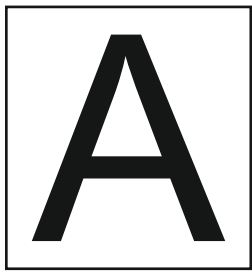
- |    |                |             |
|----|----------------|-------------|
| BG | Bulgarisch     | Български   |
| CS | Tschechisch    | čeština     |
| DA | Dänisch        | Dansk       |
| DE | Deutsch        | Deutsch     |
| ET | Estrnisch      | Eesti       |
| EL | Griechisch     | ελληνικά    |
| EN | Englisch       | English     |
| ES | Spanisch       | español     |
| FR | Französisch    | Français    |
| FI | Finnisch       | suomalainen |
| HR | Kroatisch      | hrvatski    |
| HU | Ungarisch      | magyar      |
| IT | Italienisch    | italiano    |
| LV | Lettisch       | Latvijas    |
| LT | Litauisch      | Lietuvos    |
| NL | Niederländisch | Nederlands  |
| PL | Polnisch       | Polski      |
| PT | Portugiesisch  | português   |
| RO | Rumänisch      | român       |
| SK | Slowakisch     | slovenský   |
| SL | Slowenisch     | slovensčina |
| SV | Schwedisch     | Svenska     |



300 min

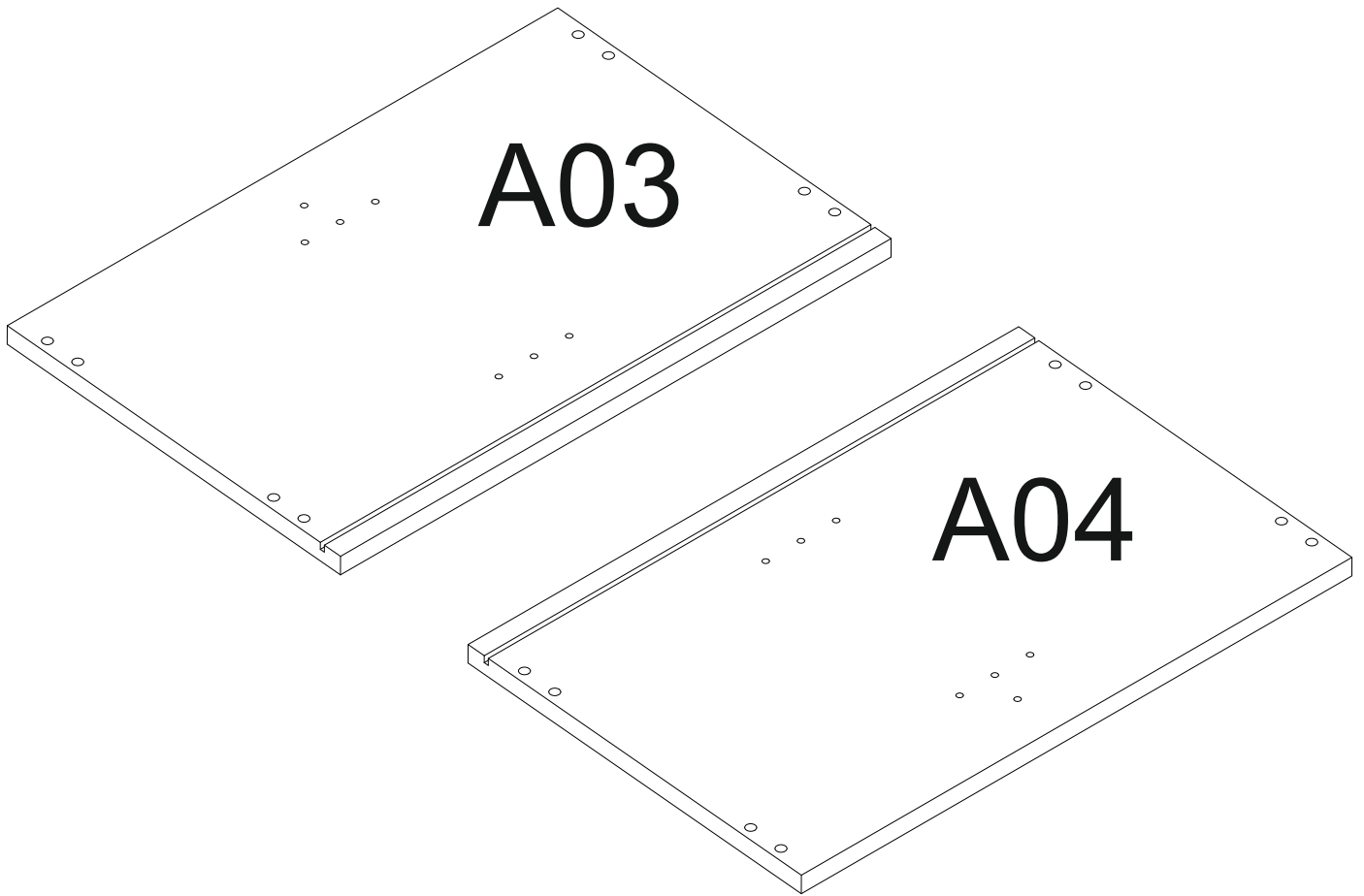




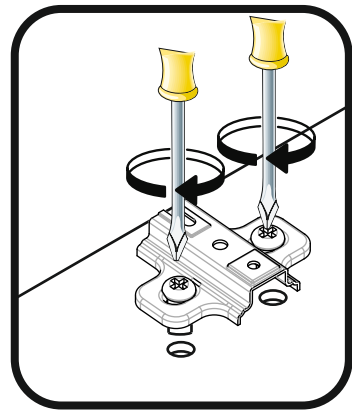
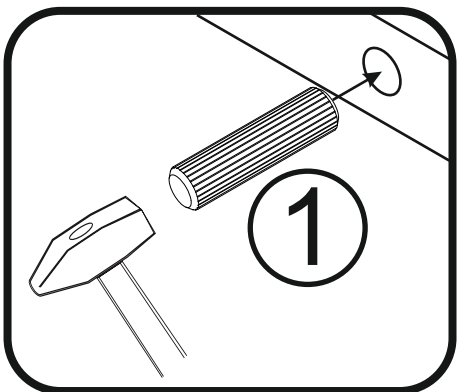
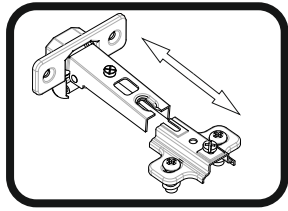
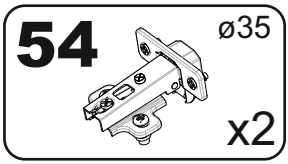
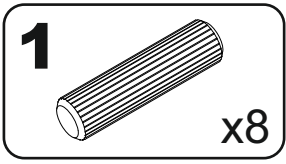
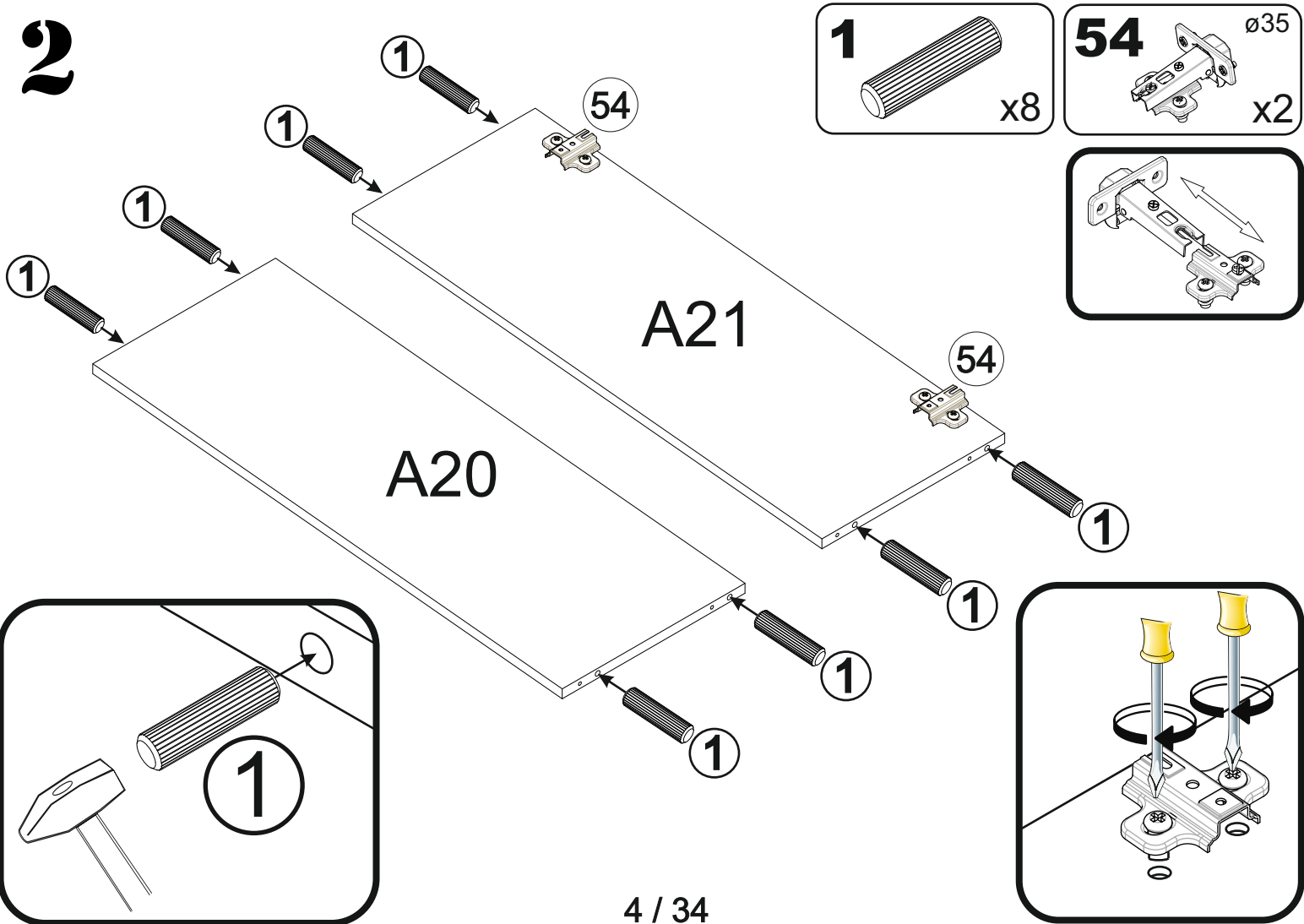


A	B_(mm)	C_(mm)	D_(mm)	E	F
A03	500	330	16	1	1 6
A04	500	330	16	1	1 6
A10	867	246	16	1	1 6
A20	867	310	16	1	1 6
A21	867	310	16	1	1 6
A30	495	877	3	1	1 6
A40	896	496	16	1	1 6

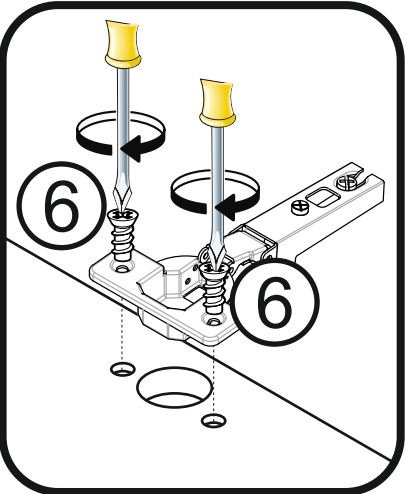
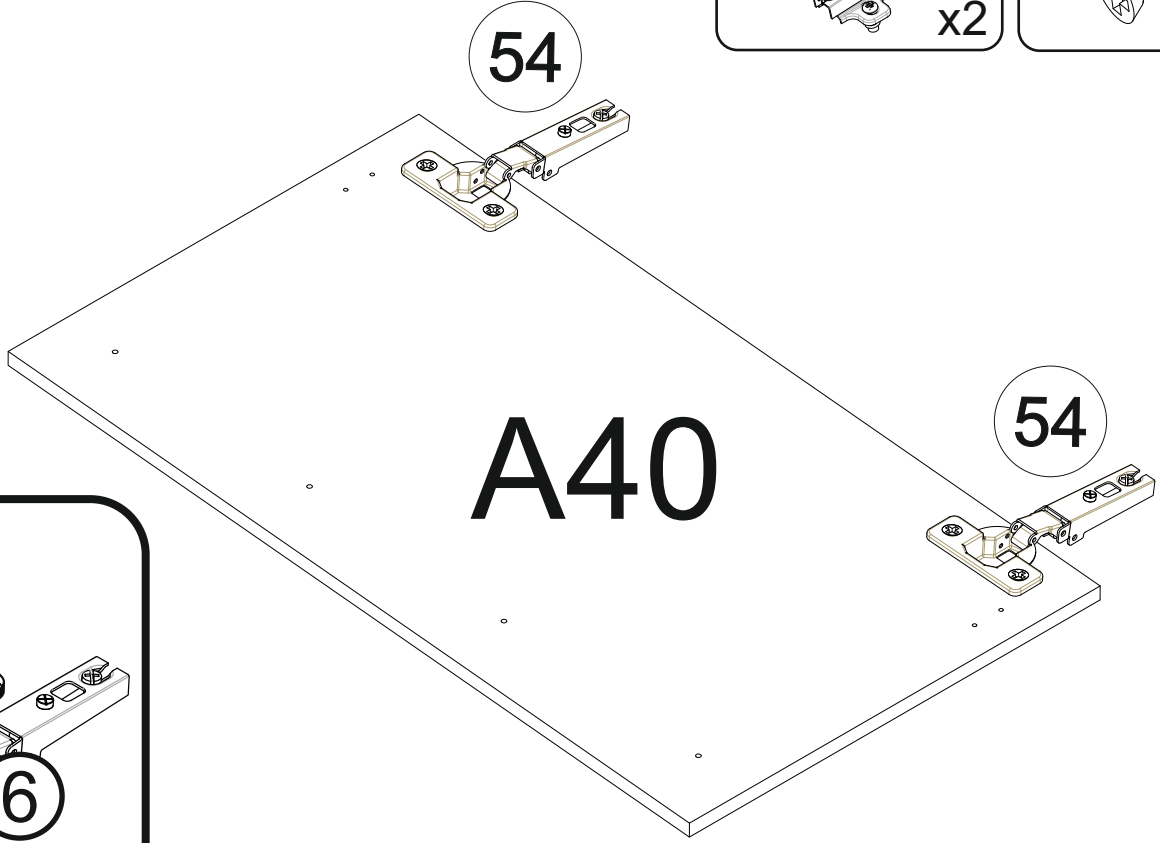
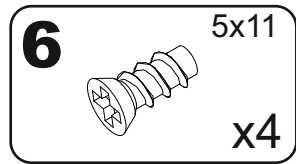
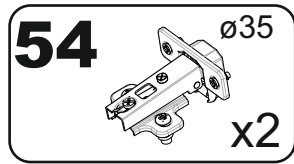
# 1



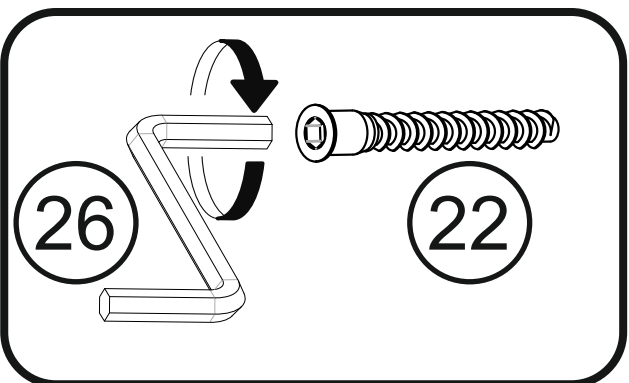
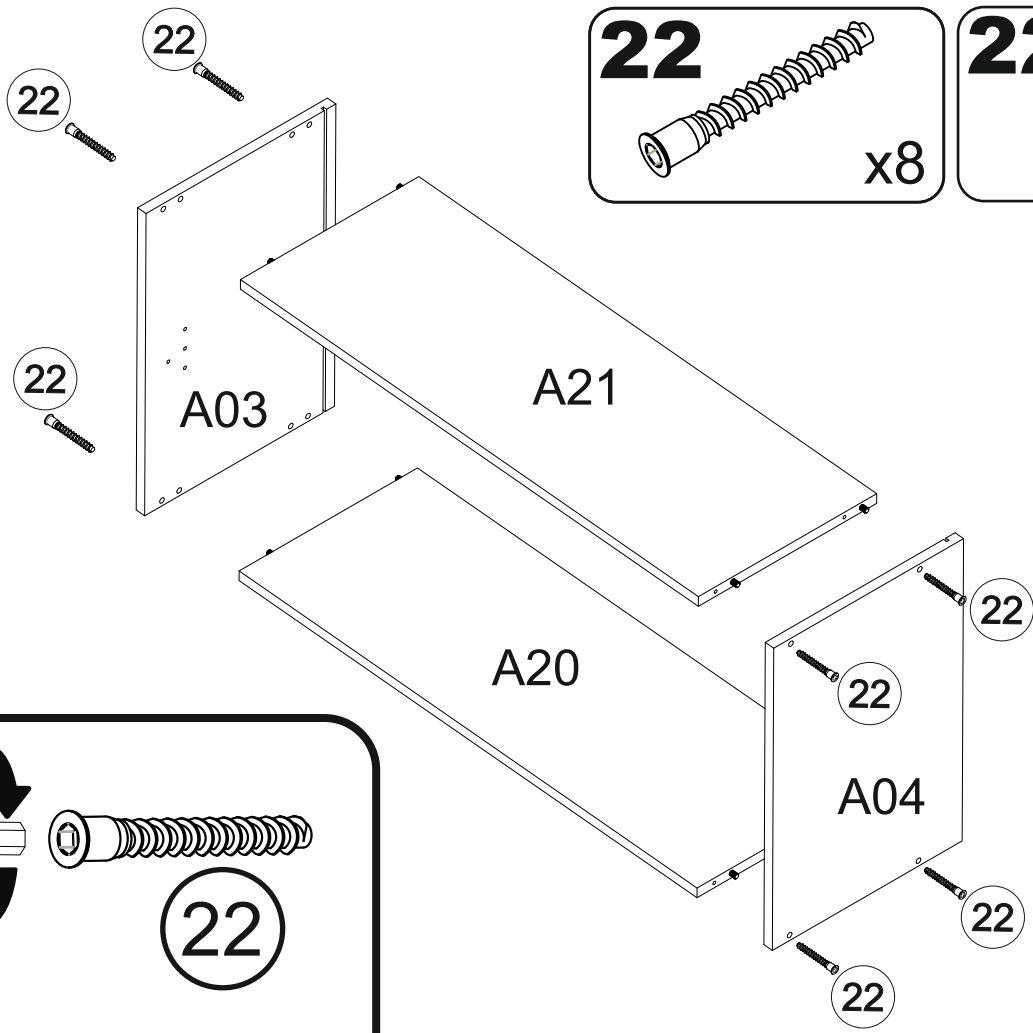
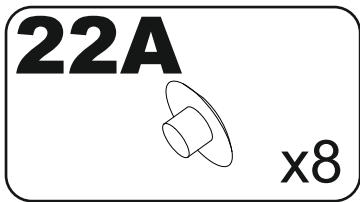
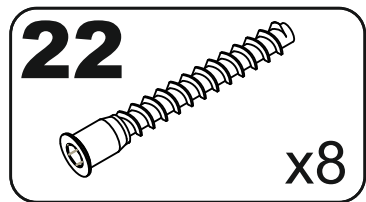
# 2



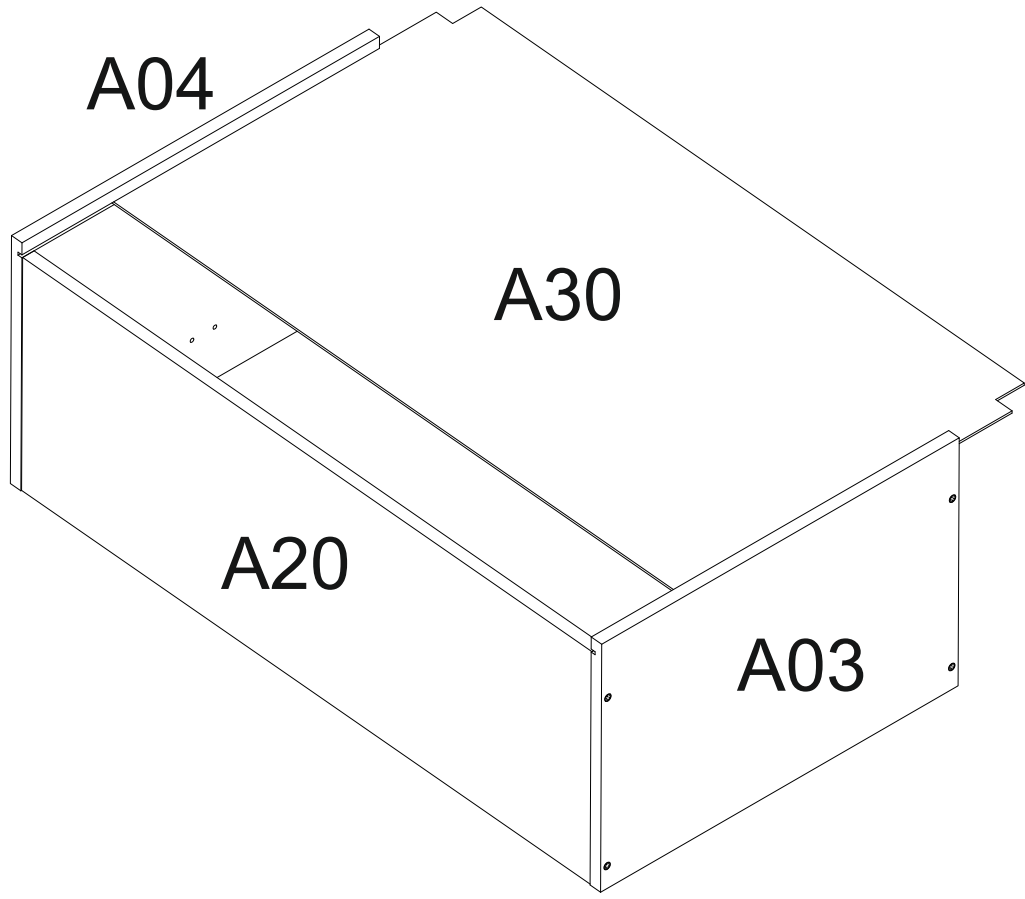
# 3



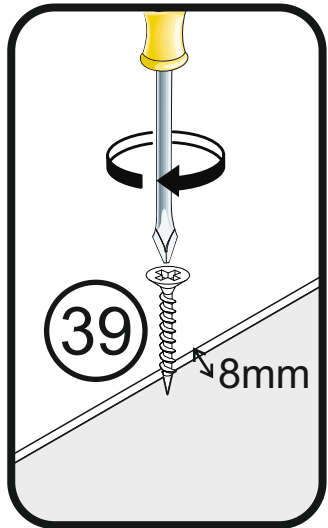
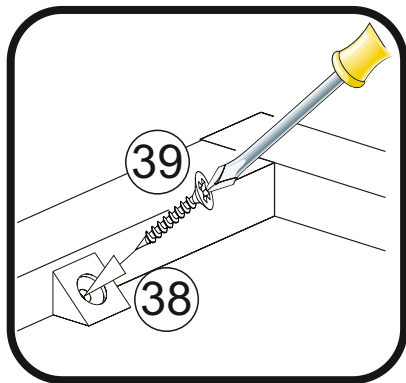
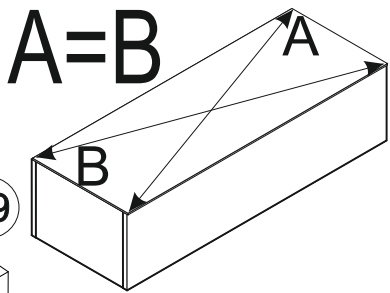
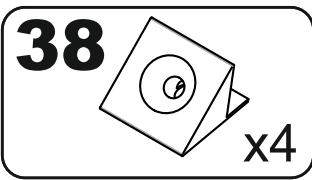
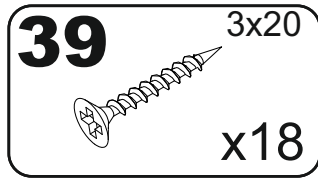
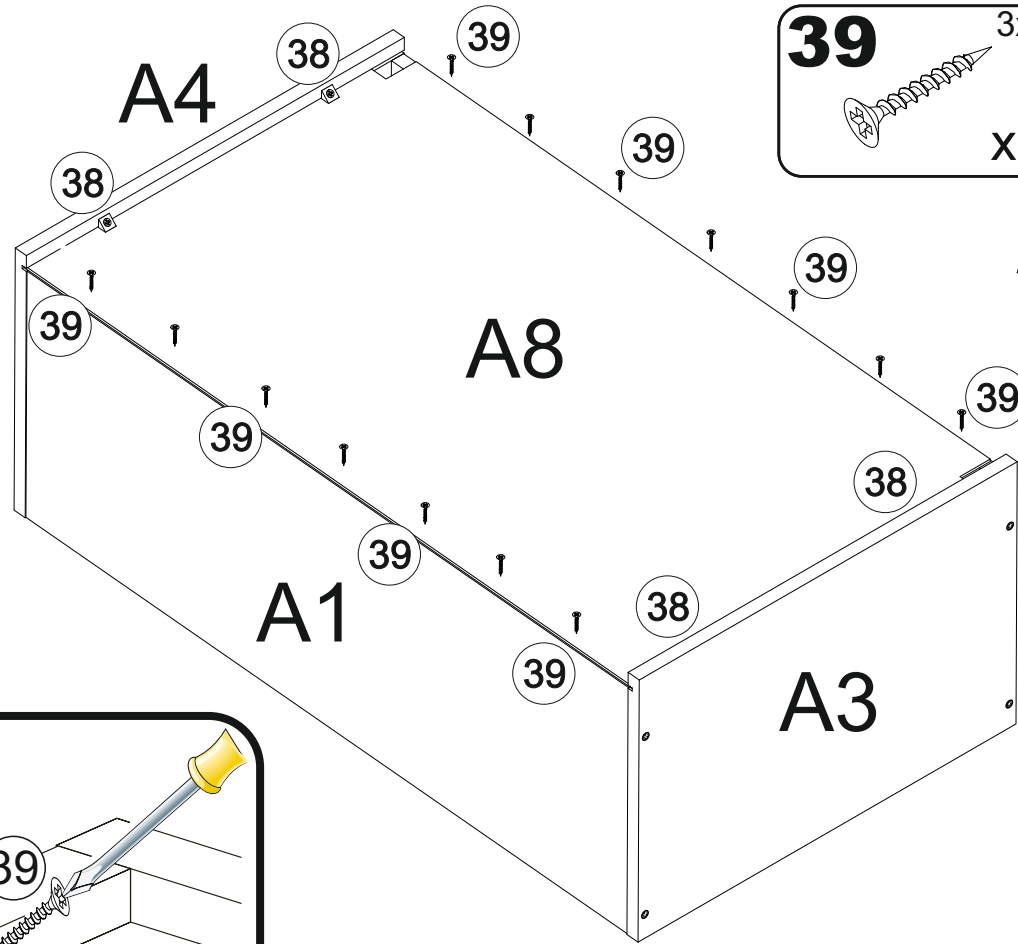
# 4



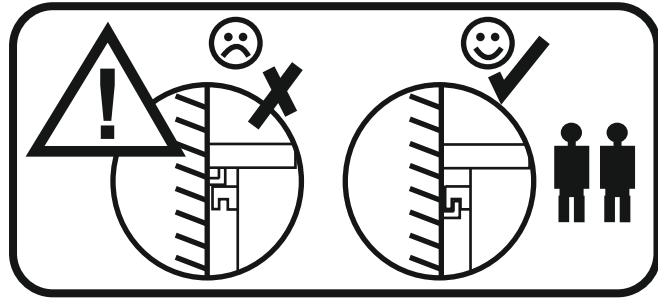
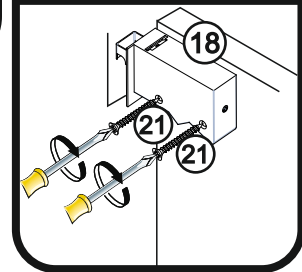
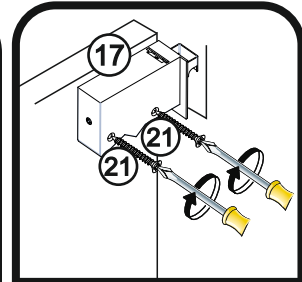
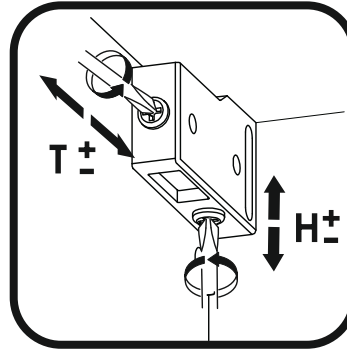
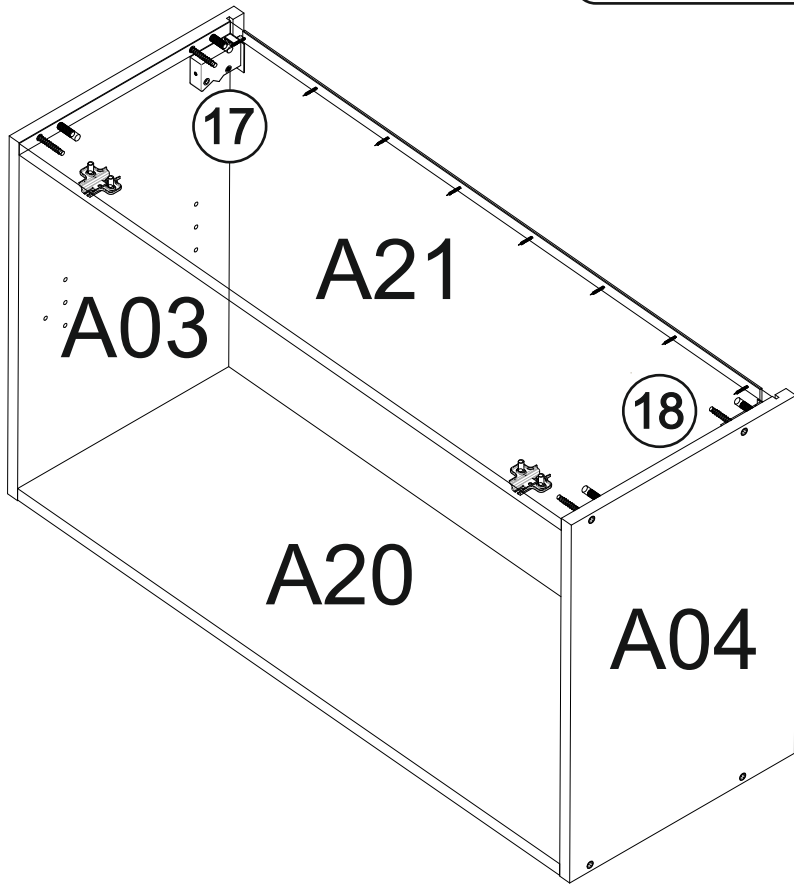
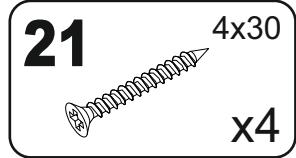
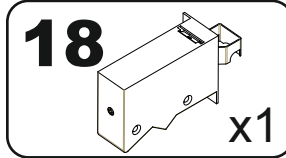
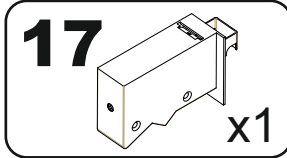
5



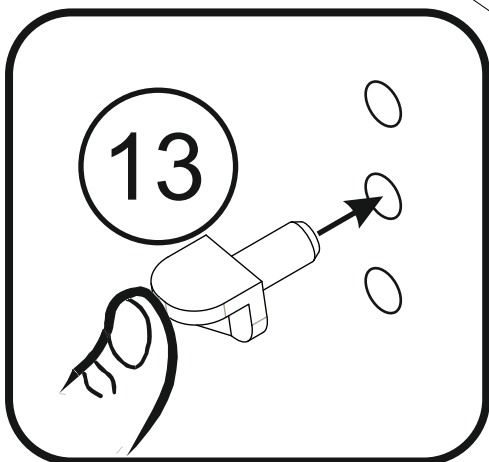
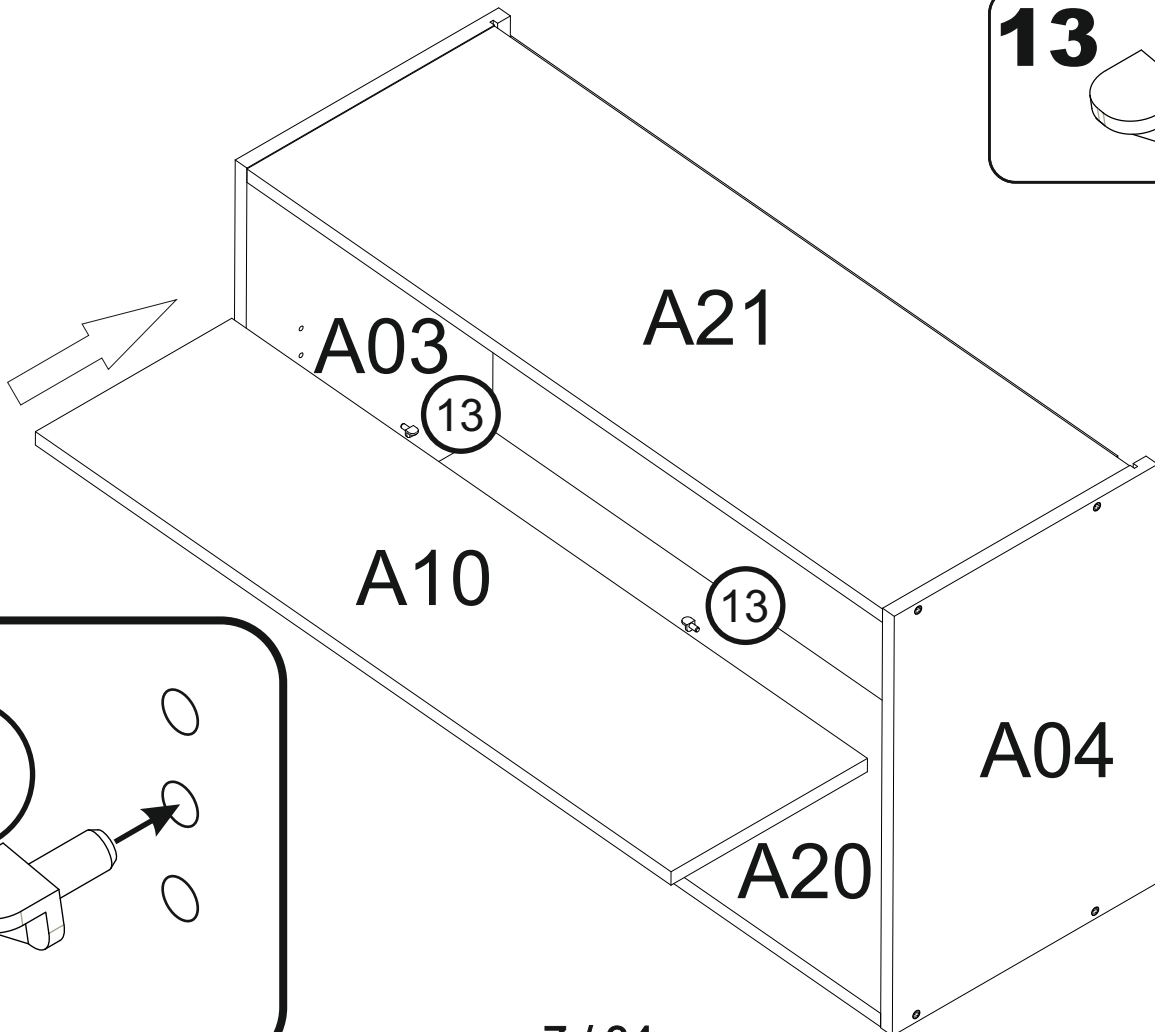
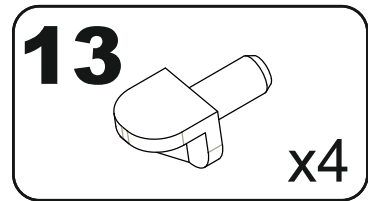
6



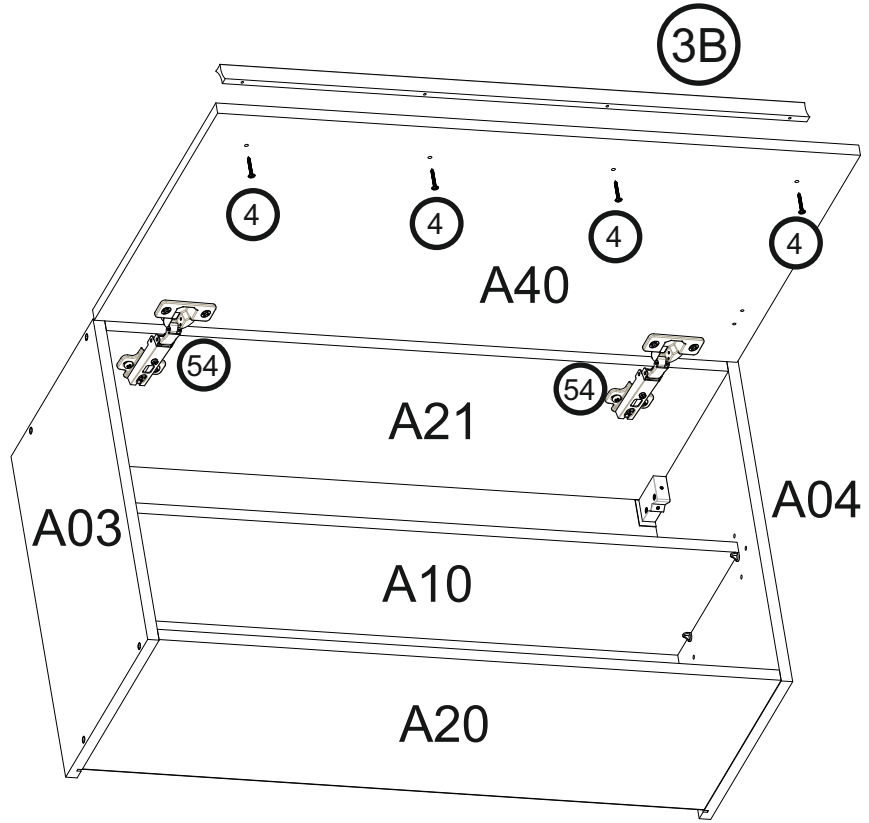
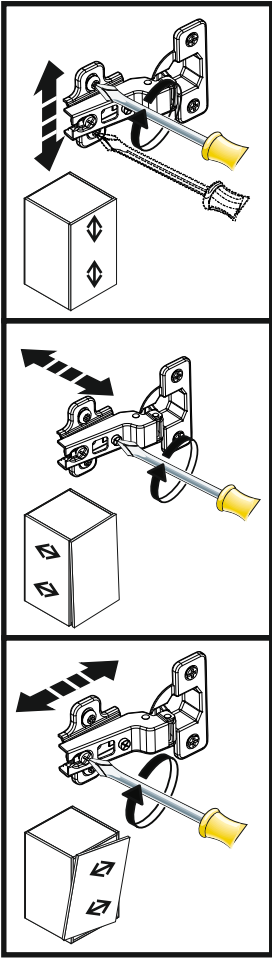
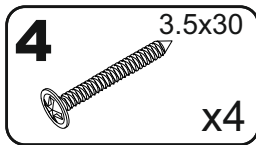
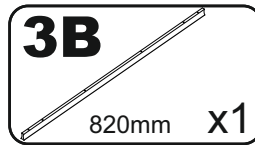
7



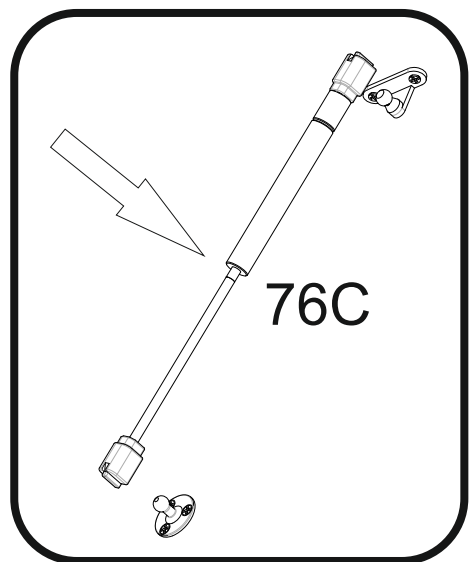
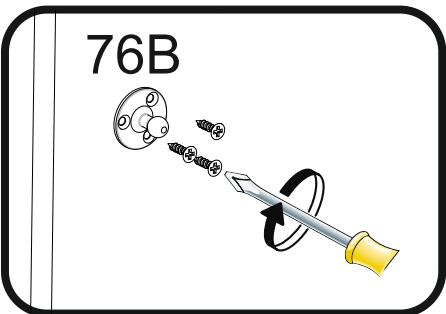
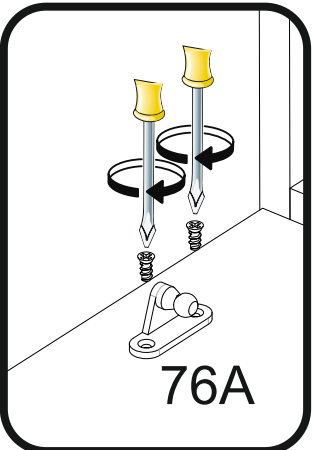
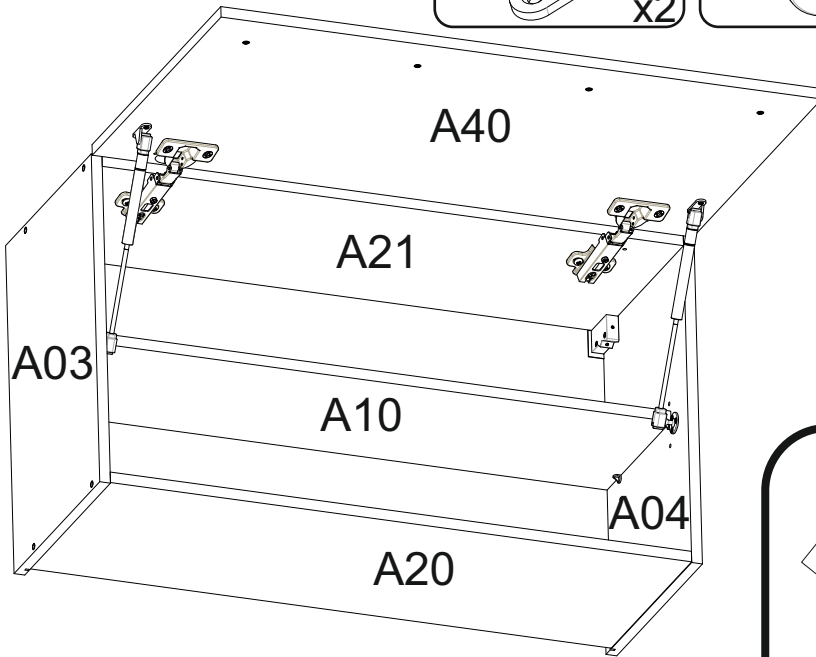
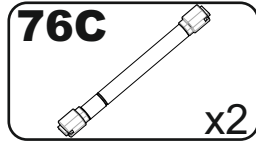
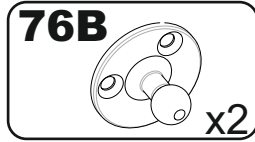
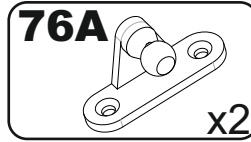
8



# 9



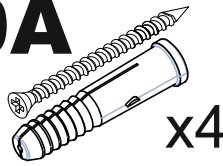
# 10



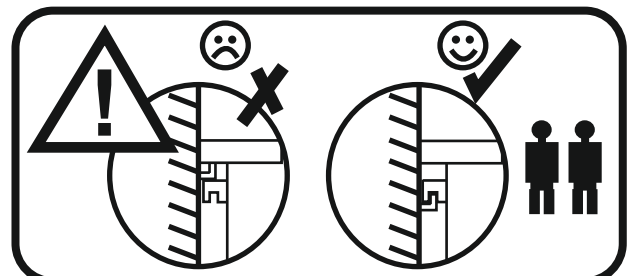
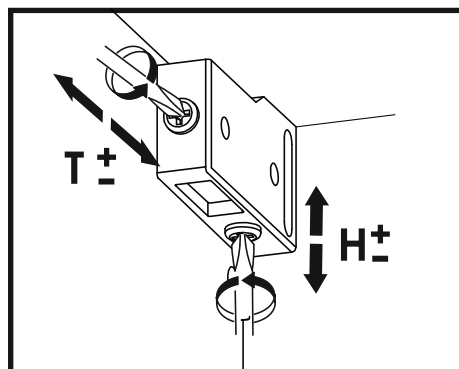
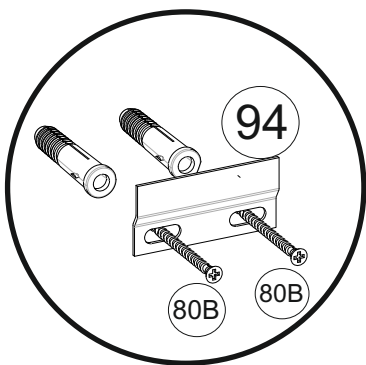
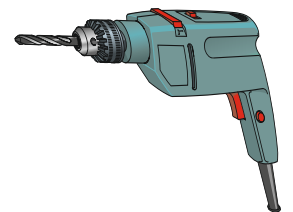
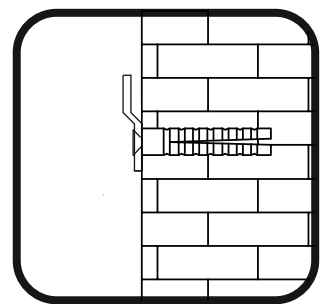
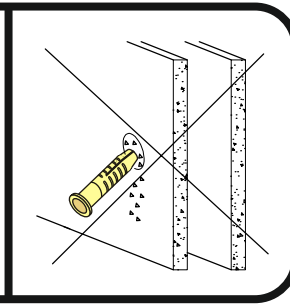
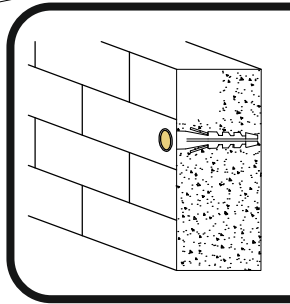
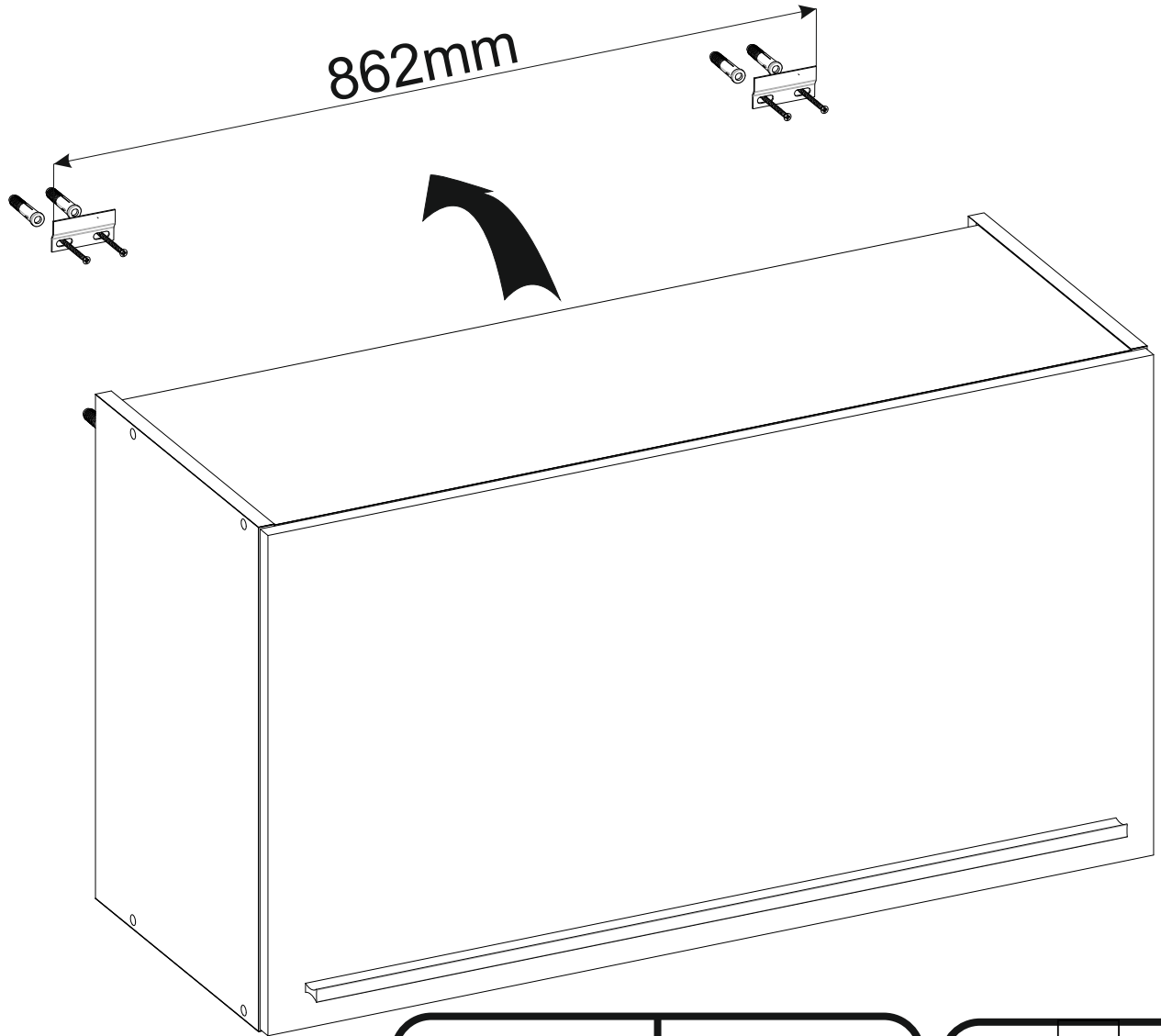
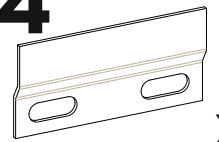


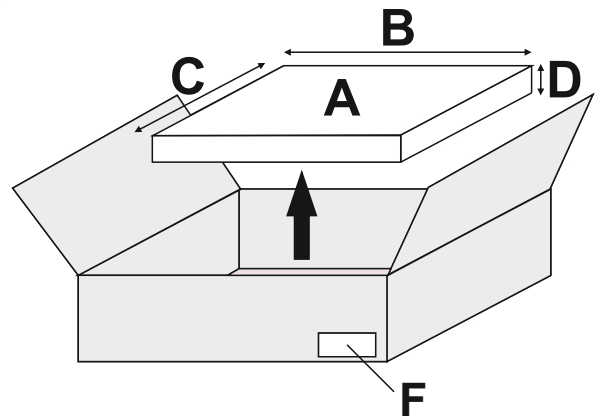
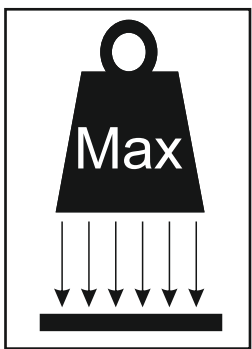
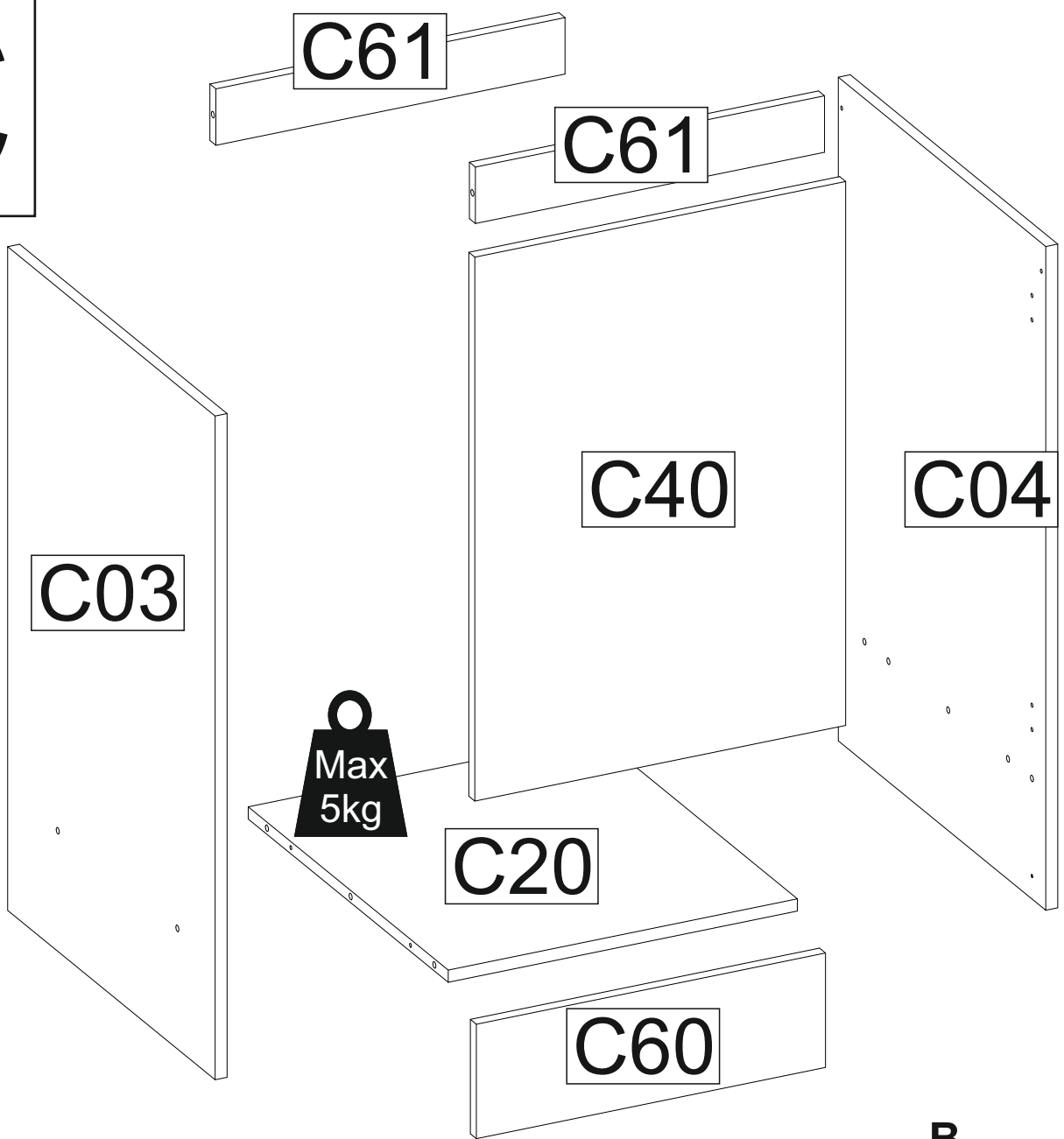
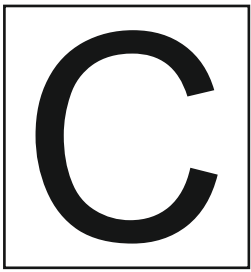
# 11

## 80A



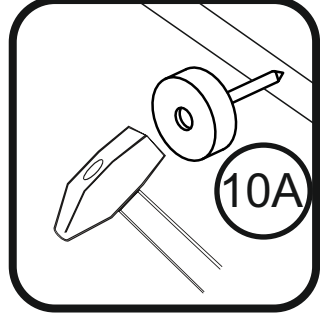
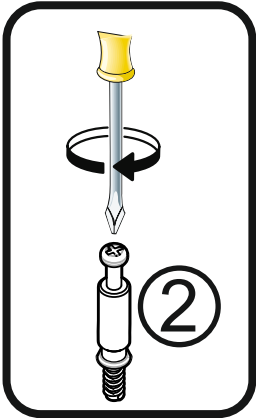
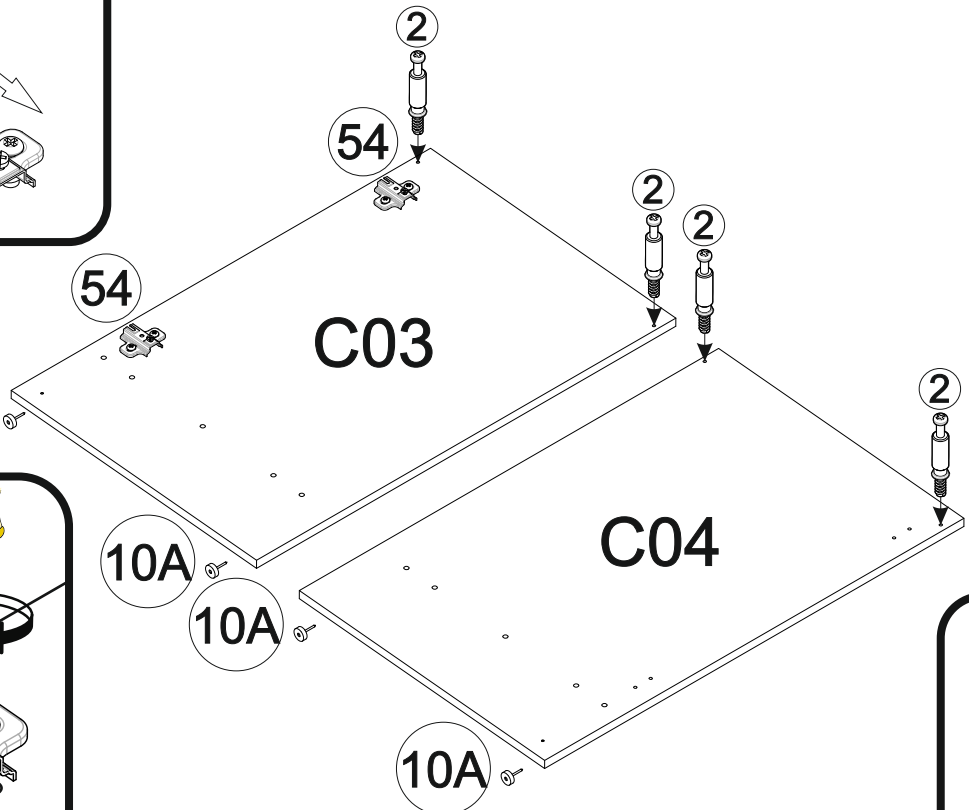
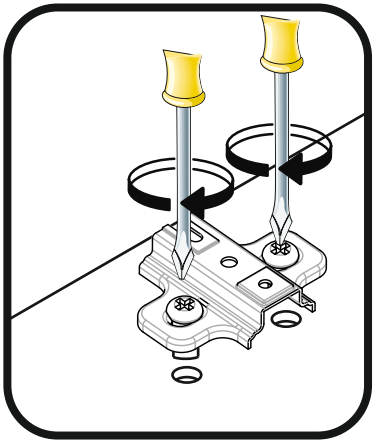
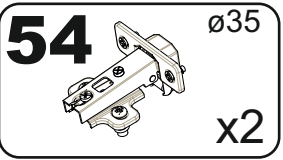
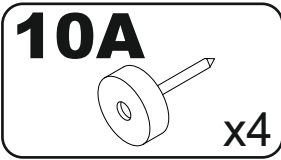
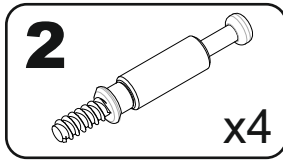
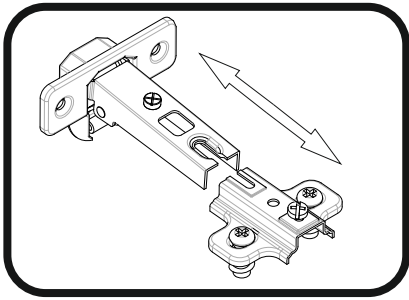
## 94



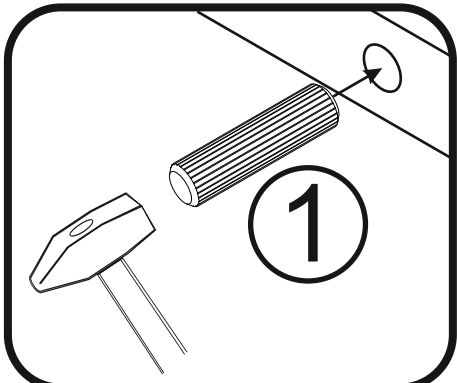
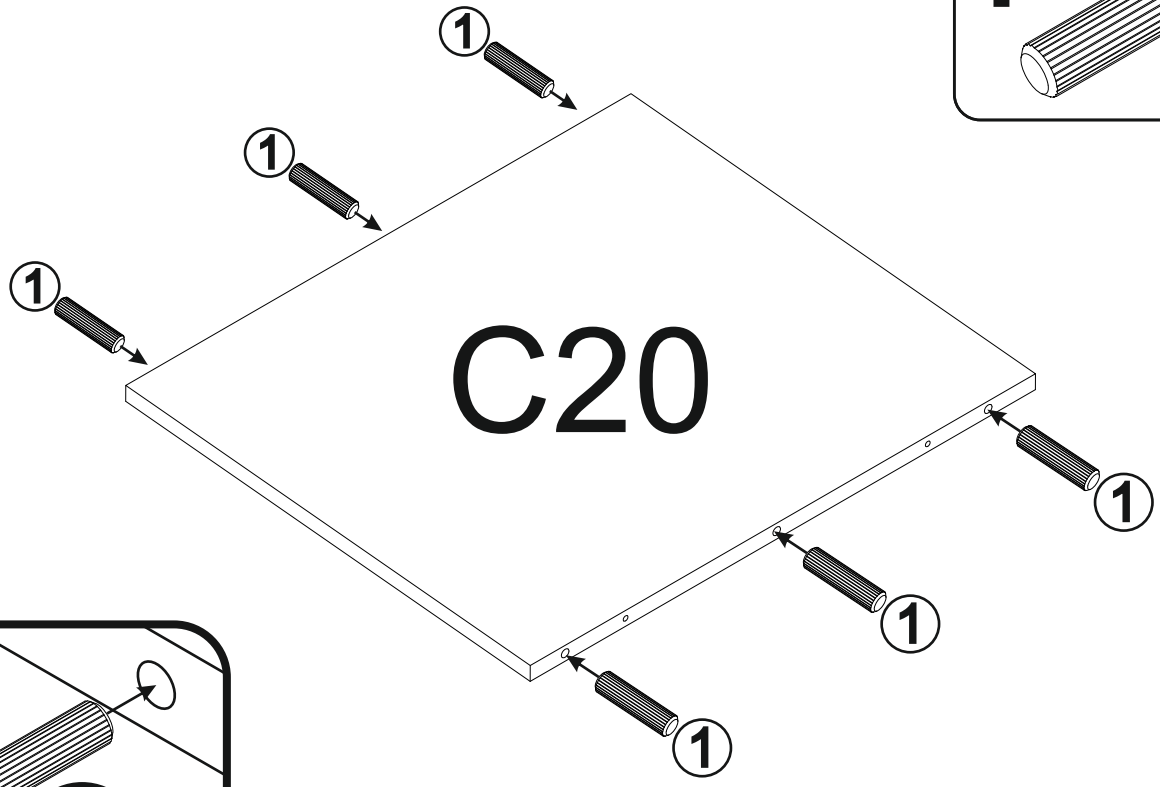
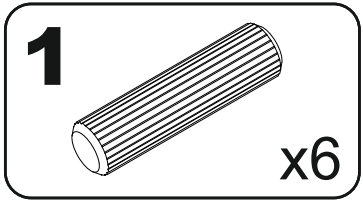


A	B (mm)	C (mm)	D (mm)	E	F
C03	870	555	16	1	3/6
C04	870	555	16	1	3/6
C20	467	535	16	1	3/6
C40	713	496	16	1	3/6
C60	467	150	16	1	3/6
C61	467	74	16	2	3/6

# 1

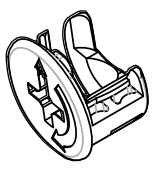


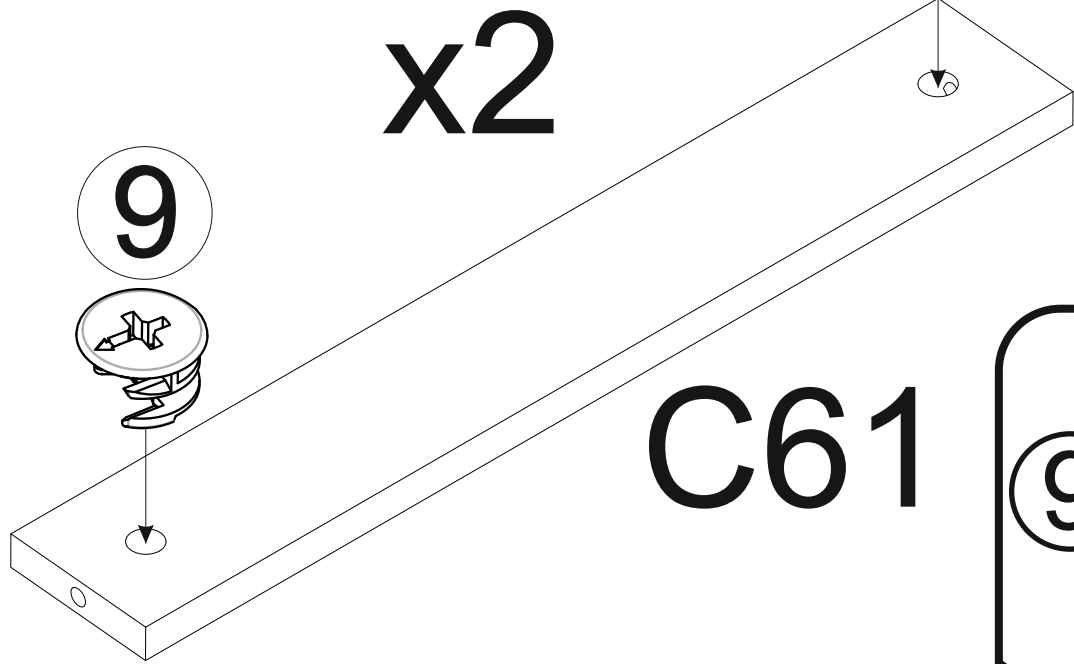
# 2

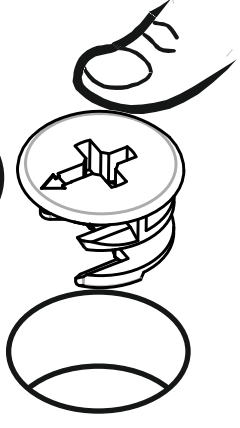


**3**

**9**

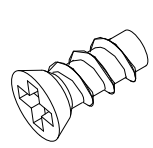
**9**   $\varnothing 15$   
x4

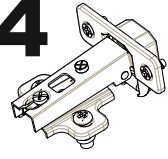


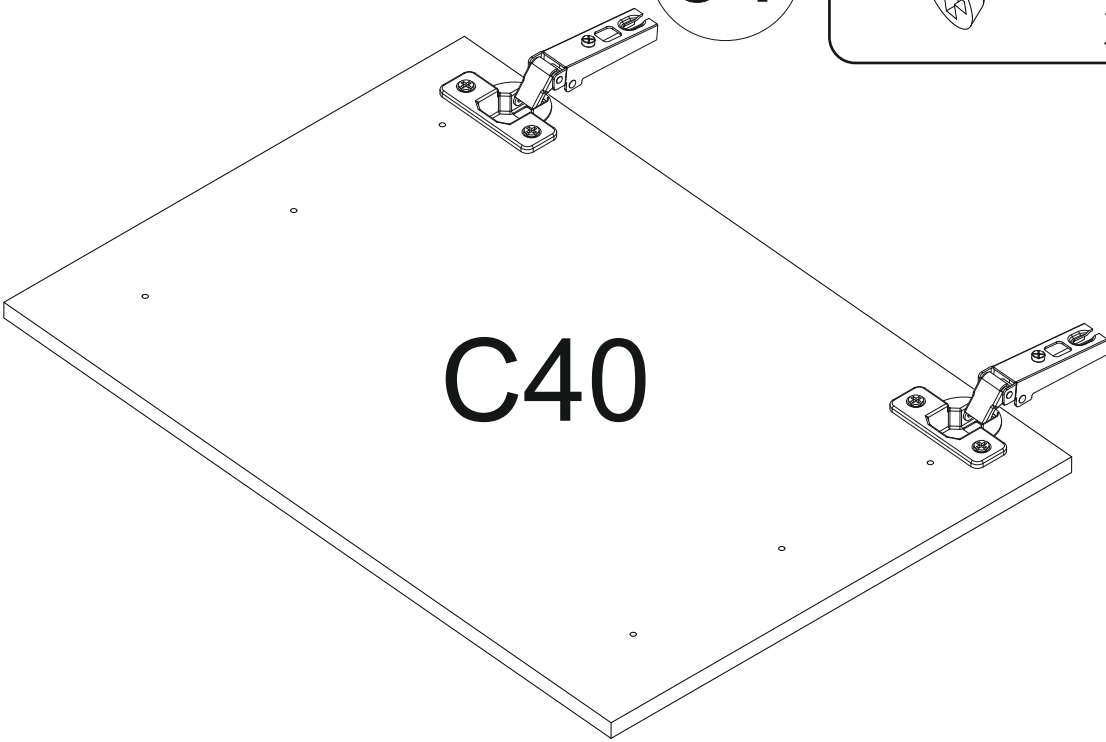
**9** 

**4**

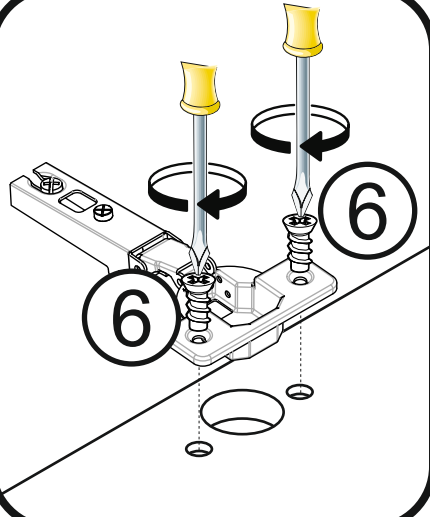
**54**

**6**  5x11  
x4

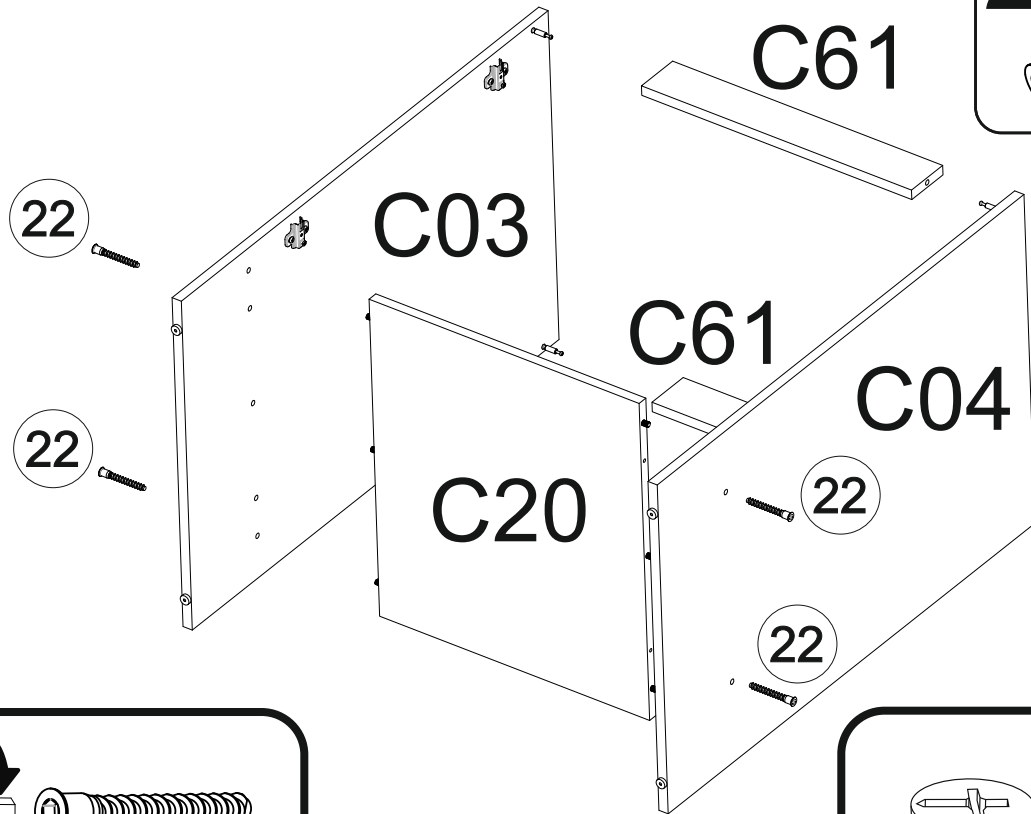
**54**   $\varnothing 35$   
x2

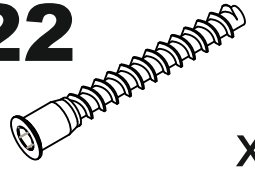




**54**

**6** 

# 5

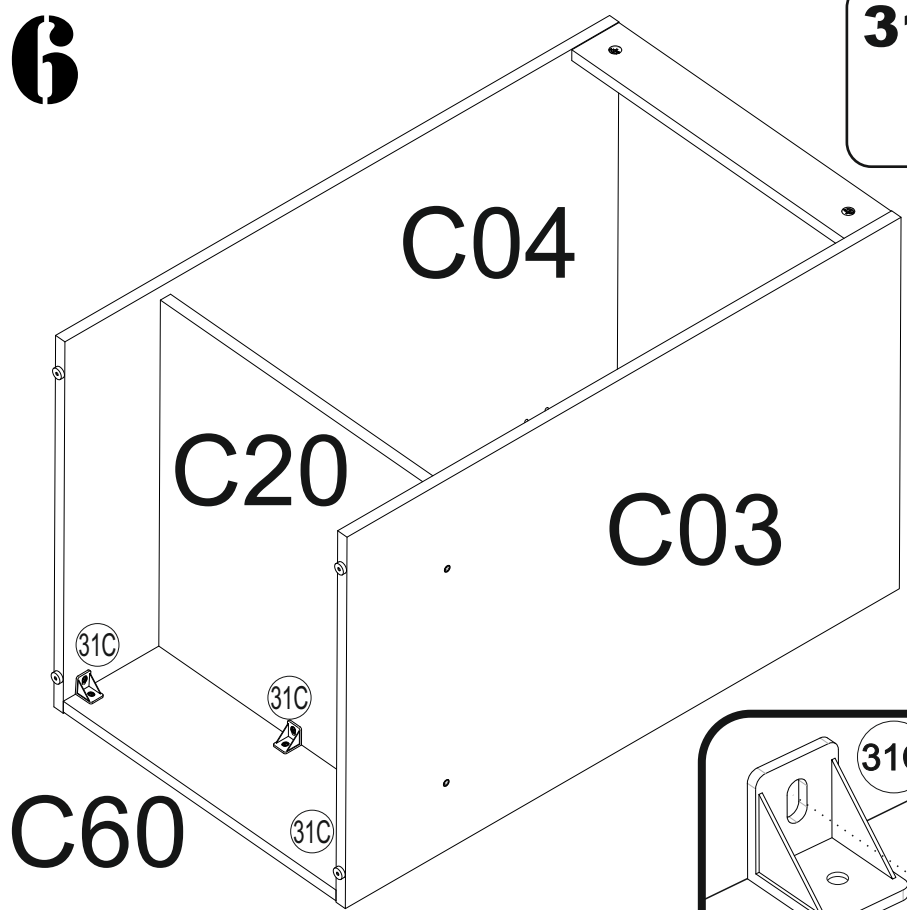


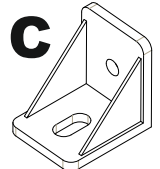
**22**  x4

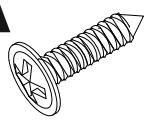
**26**  **22** 

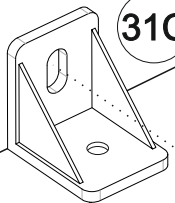

Inset diagram showing a circular component being inserted into a hole in a panel. The component is shown being pushed into the hole, and then a screw is shown being inserted into the component.

# 6



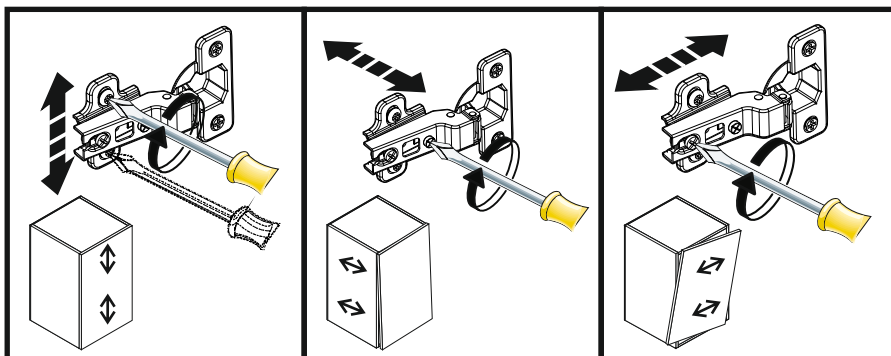
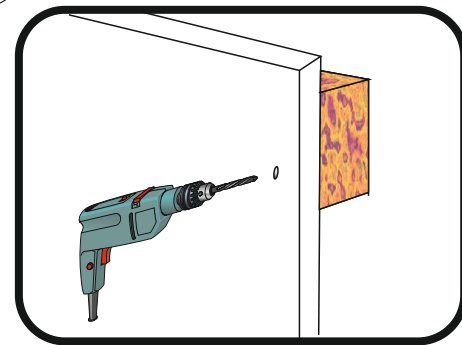
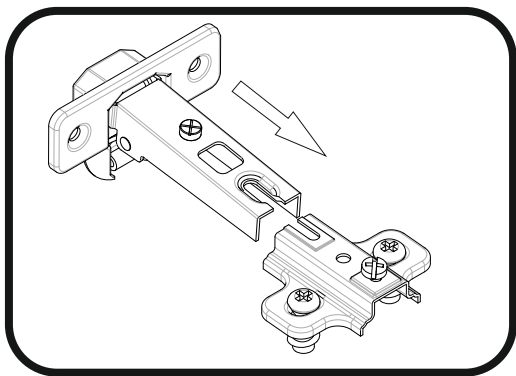
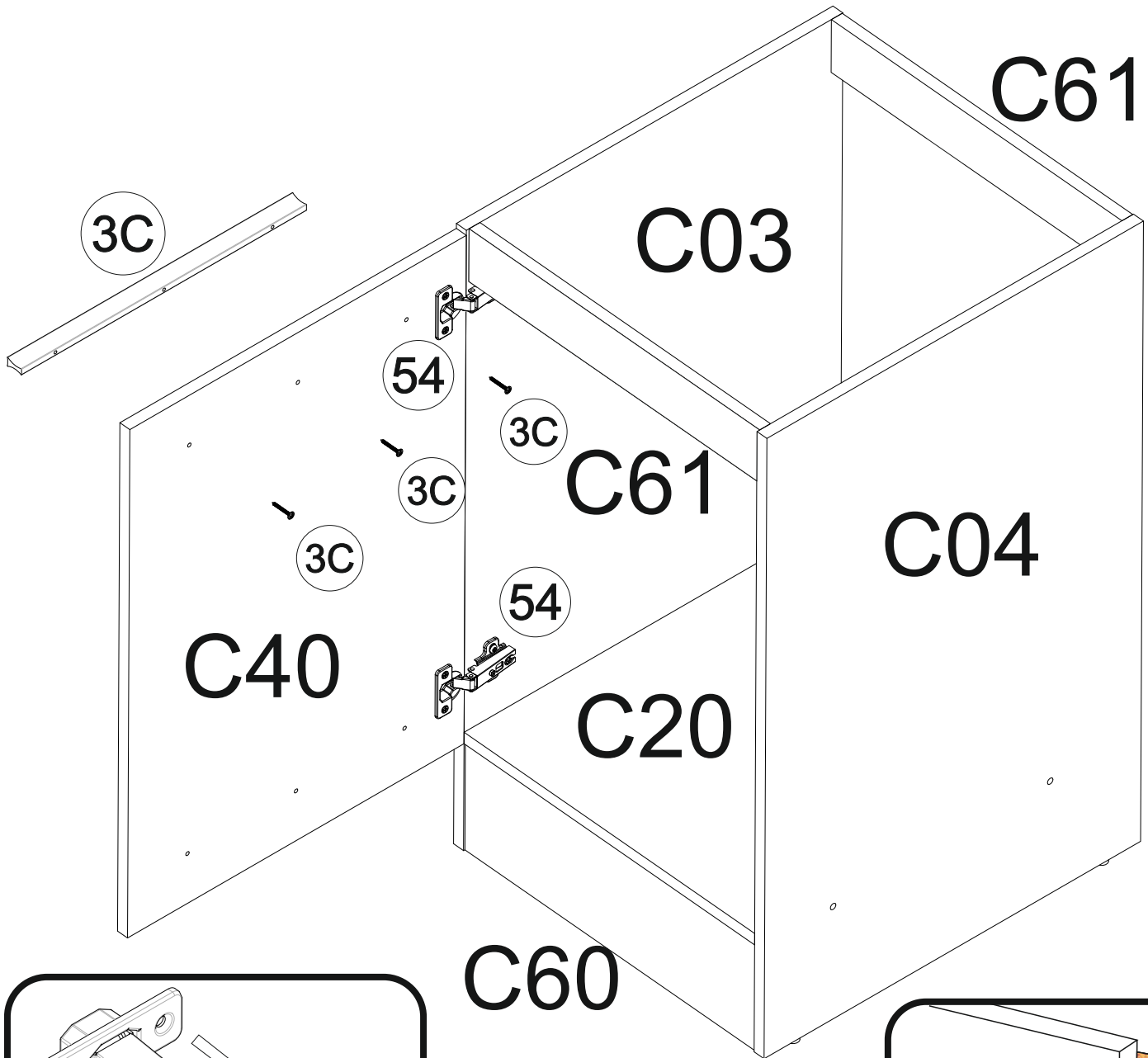
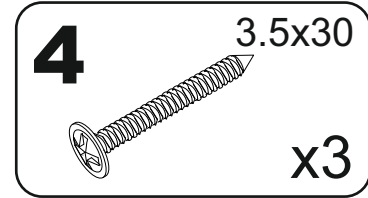
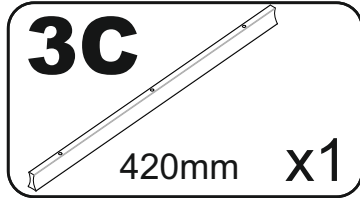
**31C**  x3

**4A**  4x16 x6

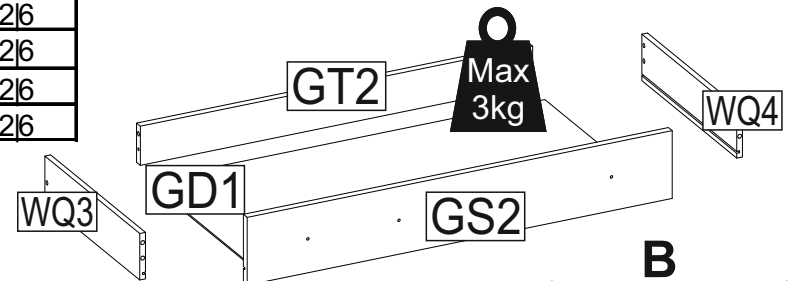
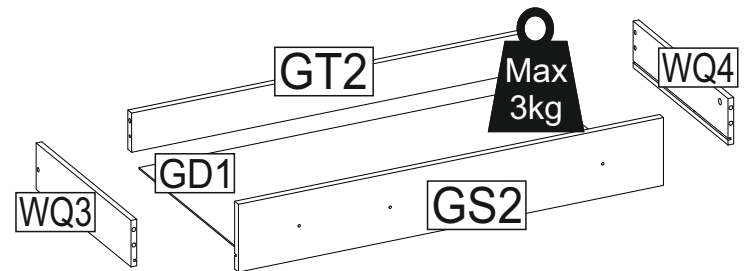
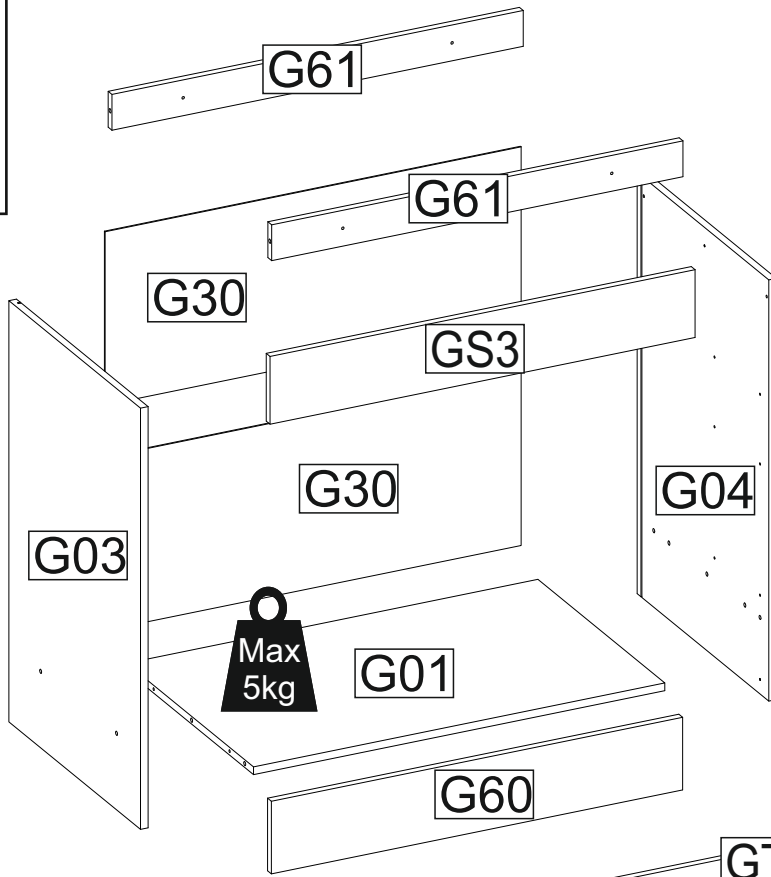
**31C**  **4A** 

Inset diagram showing a screw 4A being inserted into a bracket 31C. The screw is shown being inserted into the bracket, and then a screwdriver is shown turning the screw.

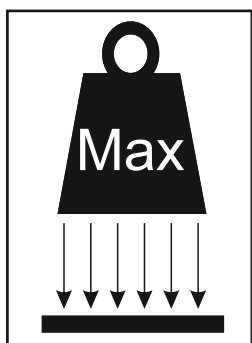
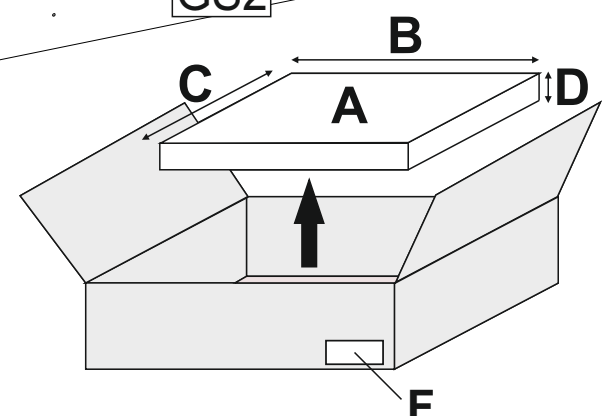
7



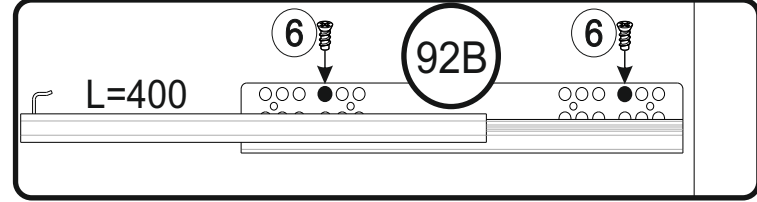
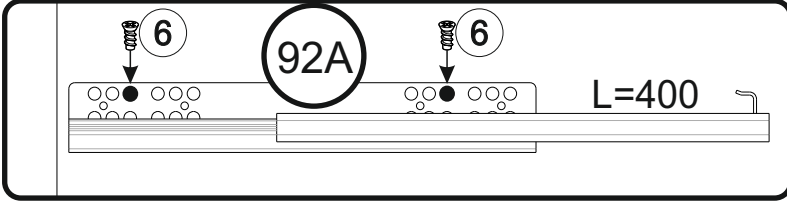
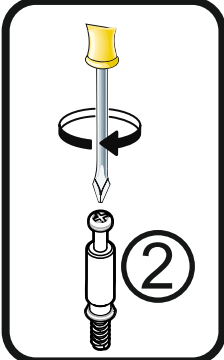
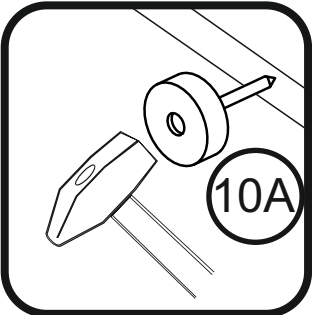
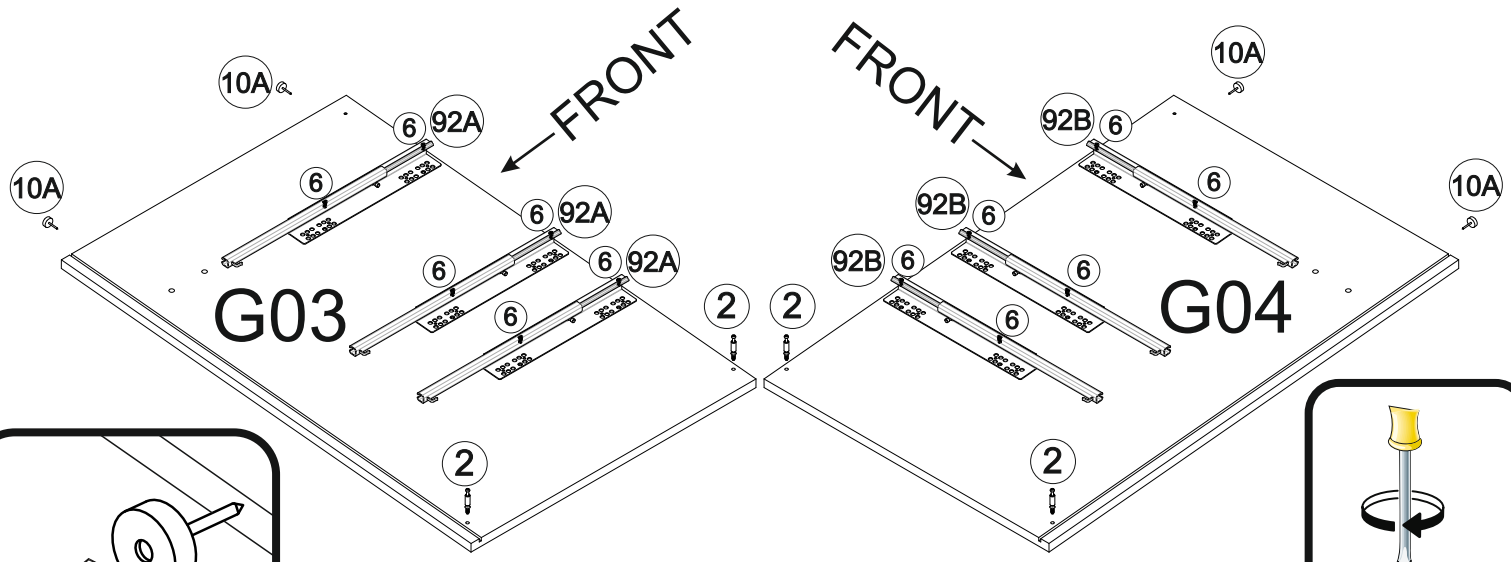
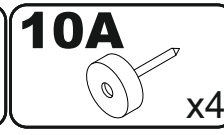
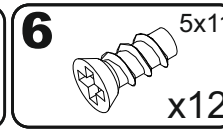
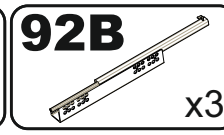
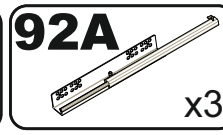
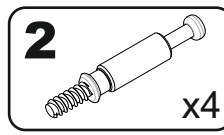
# G



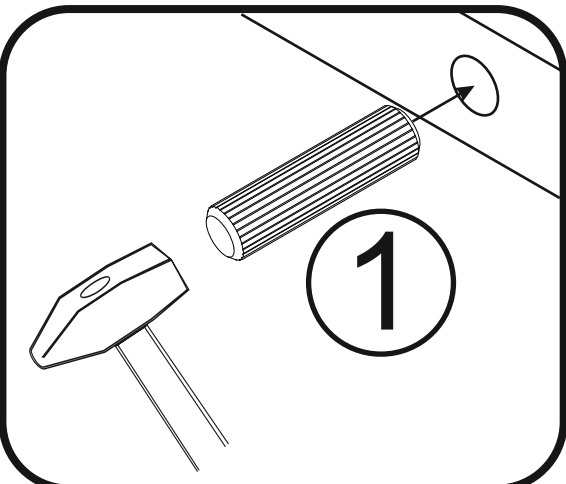
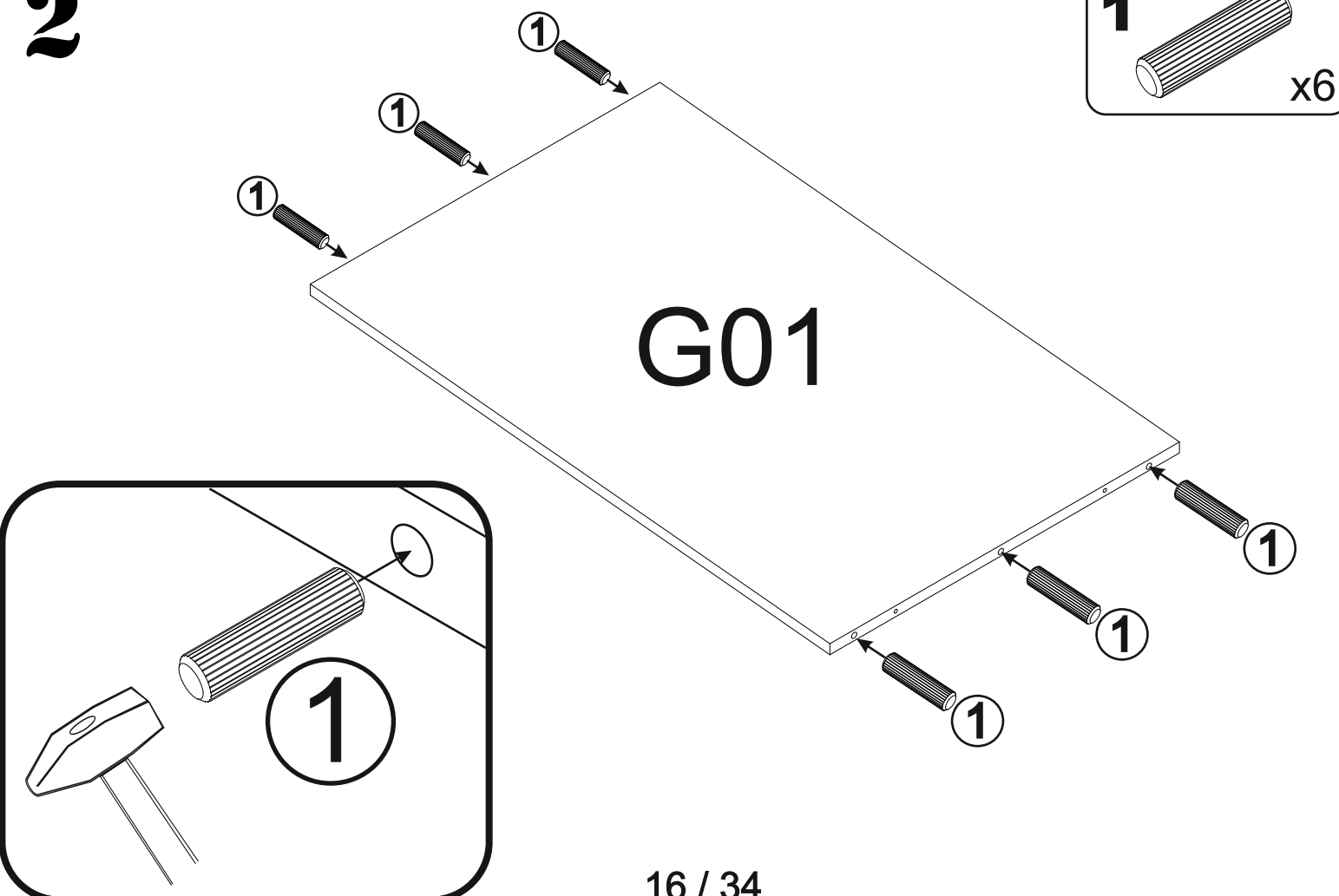
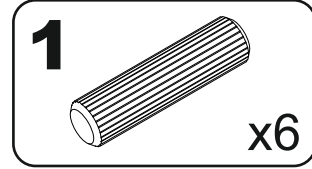
A	B (mm)	C (mm)	D (mm)	E	F
G01	867	535	16	1	2/6
G03	870	555	16	1	2/6
G04	870	555	16	1	2/6
G30	877	358	3	2	2/6
G60	867	150	16	1	2/6
G61	867	16	74	2	2/6
GD1	837	403	3	3	2/6
GS1	896	283	16	1	2/6
GS2	896	140	16	2	2/6
GS3	896	140	16	1	2/6
GT1	827	177	16	1	2/6
GT2	827	81	16	2	2/6
WQ3	400	96	12	4	2/6
WQ4	400	96	12	4	2/6



# 1



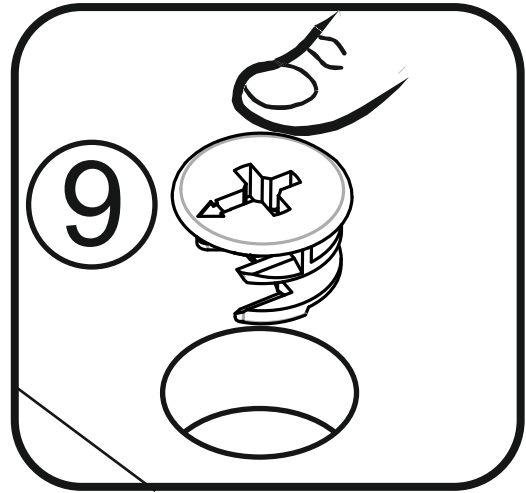
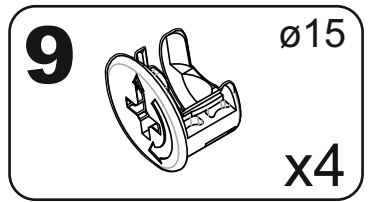
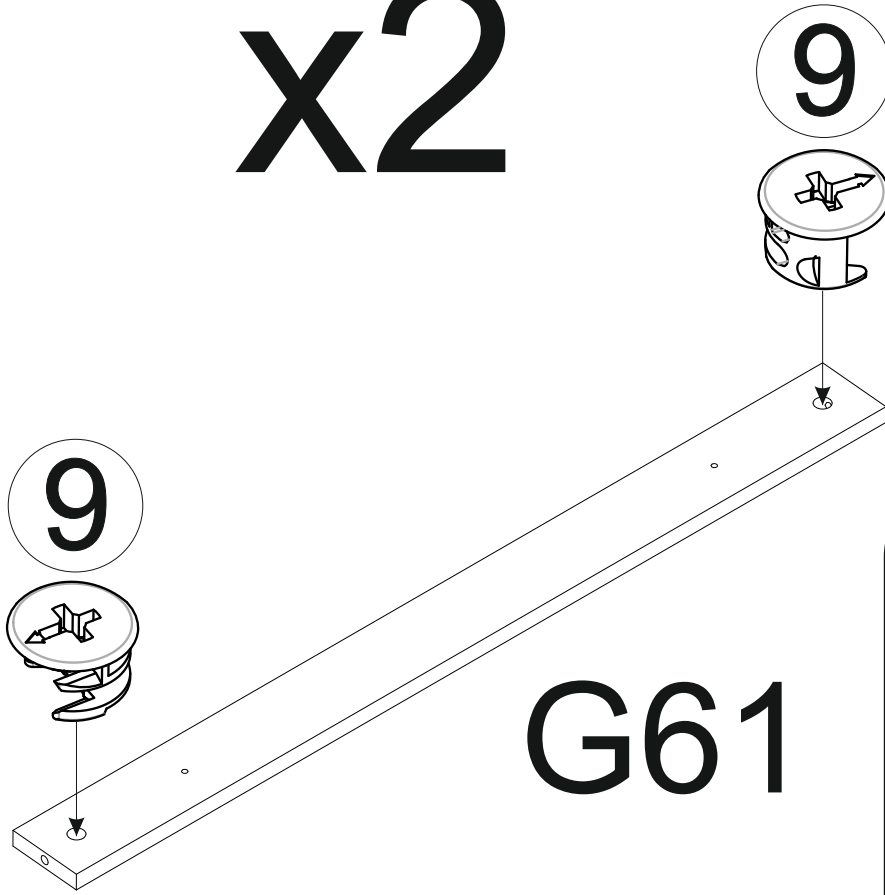
# 2



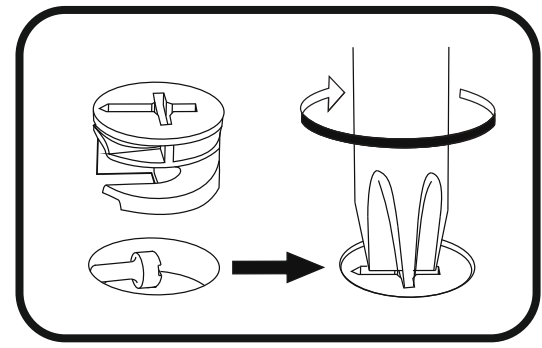
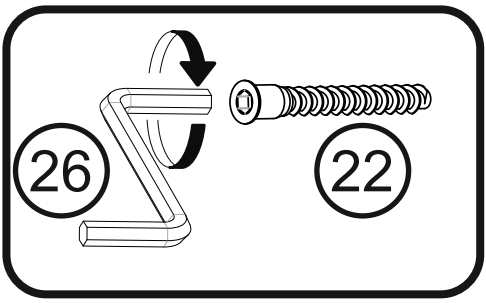
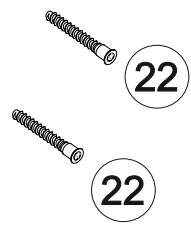
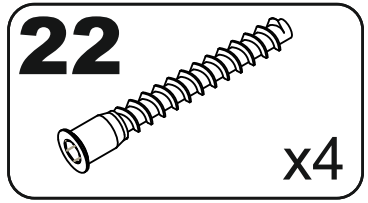
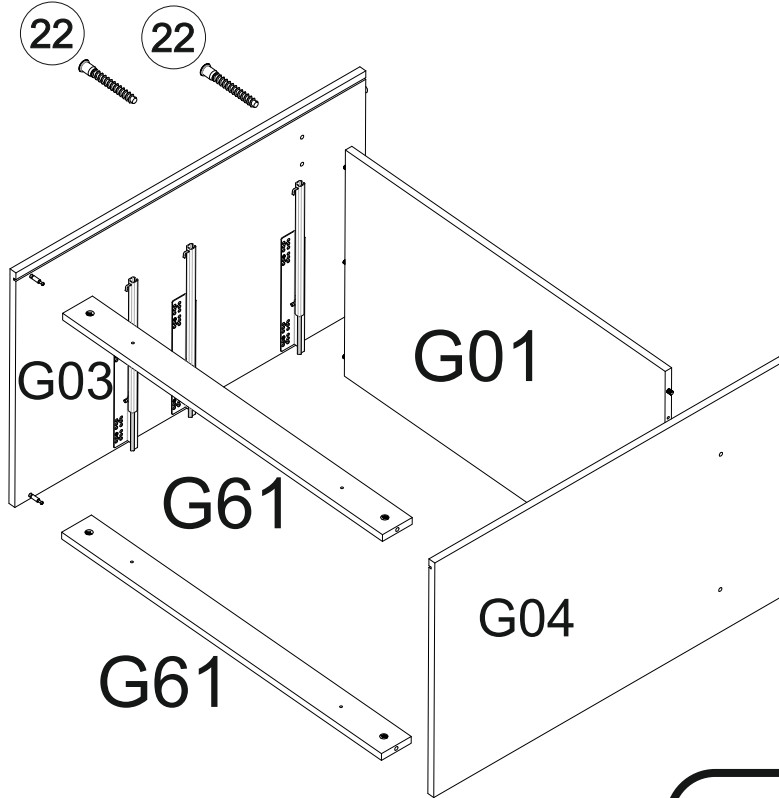


3

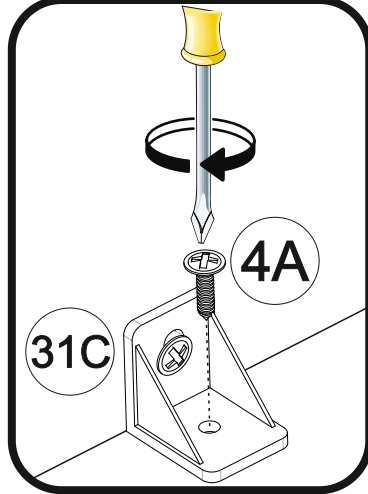
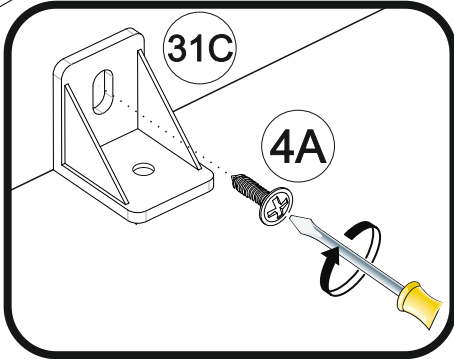
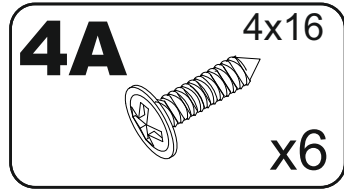
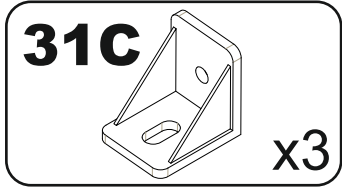
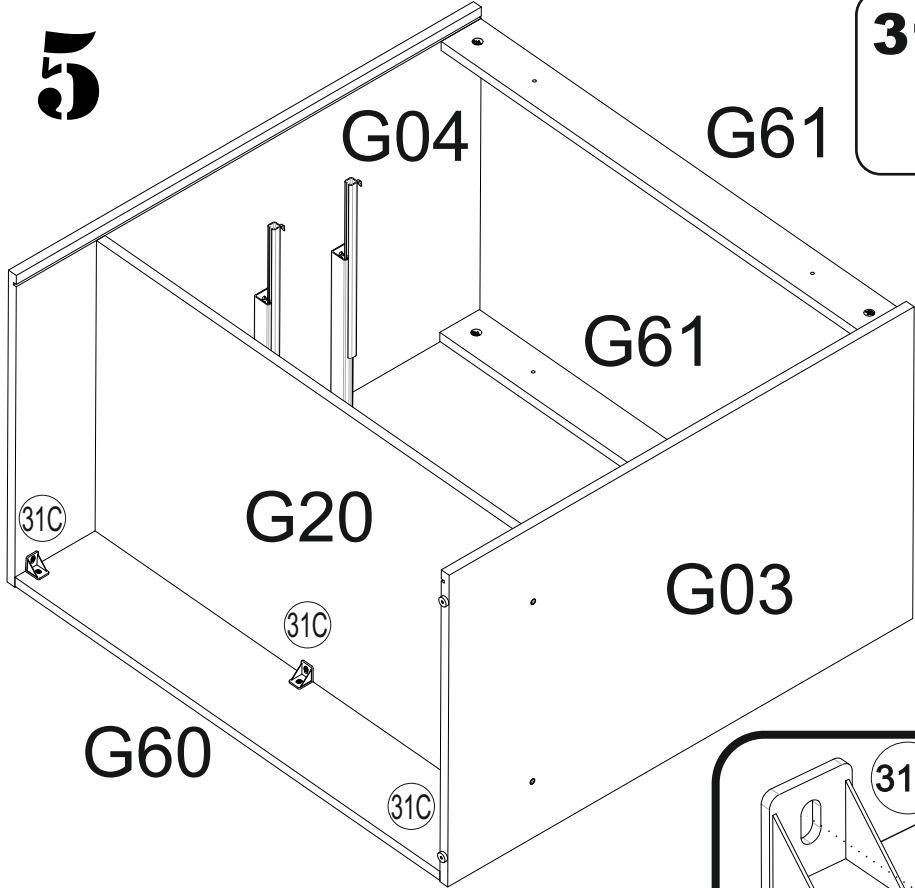
x2



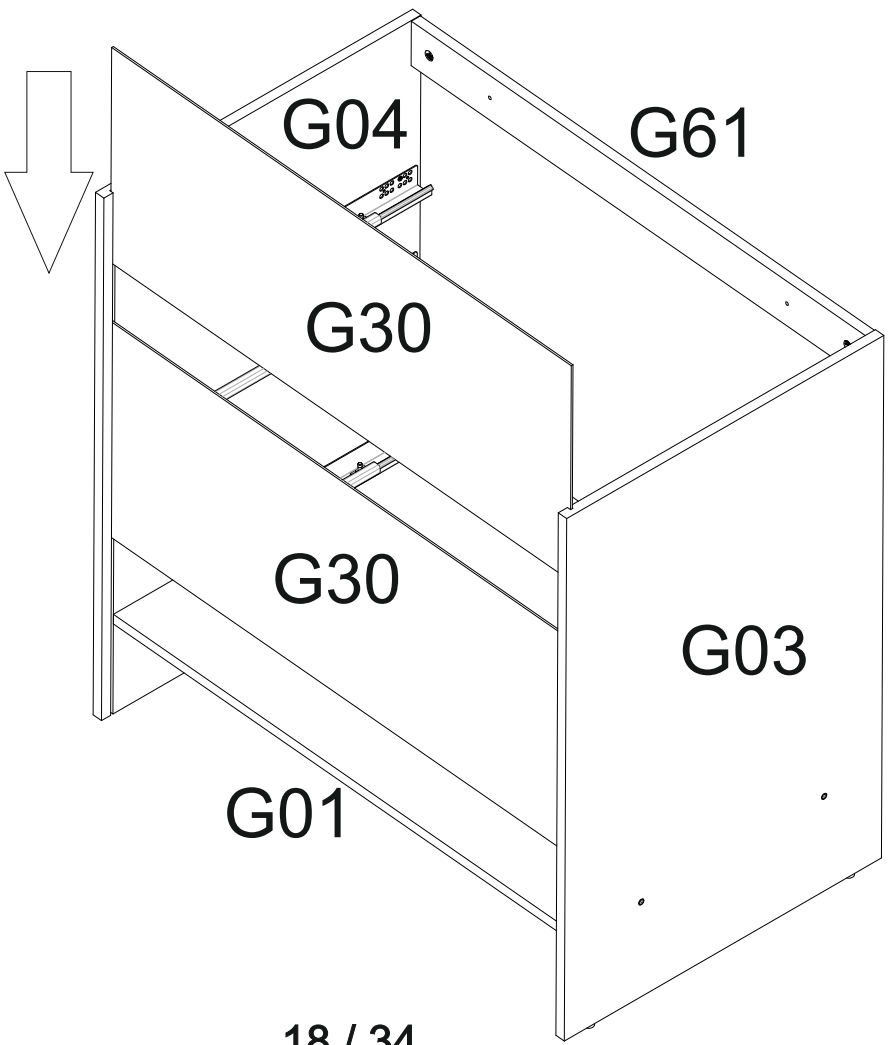
4



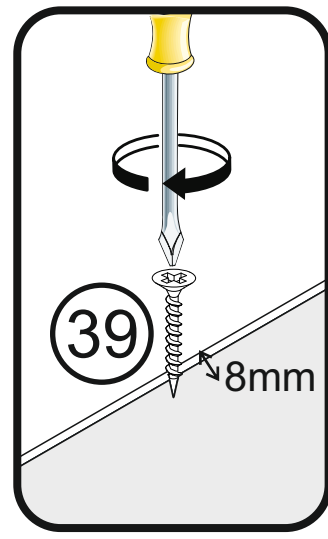
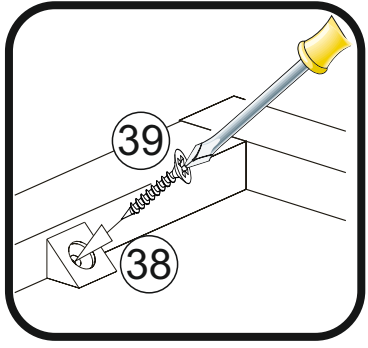
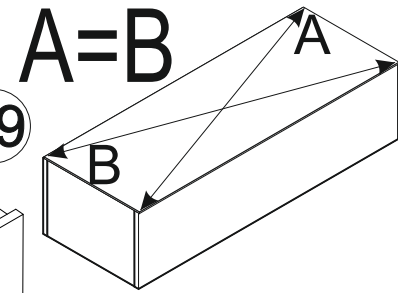
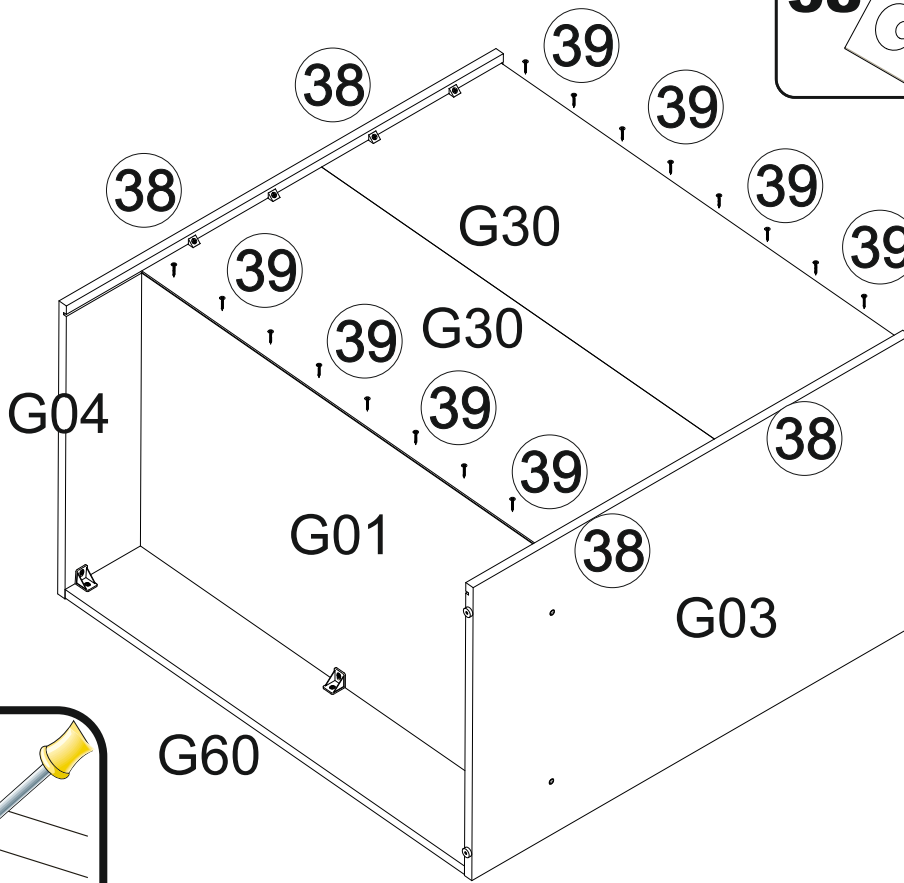
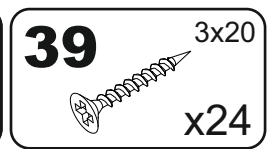
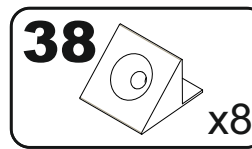
**5**



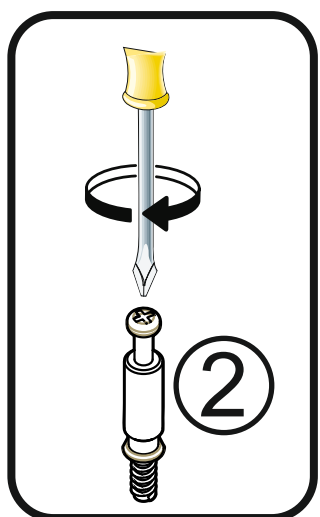
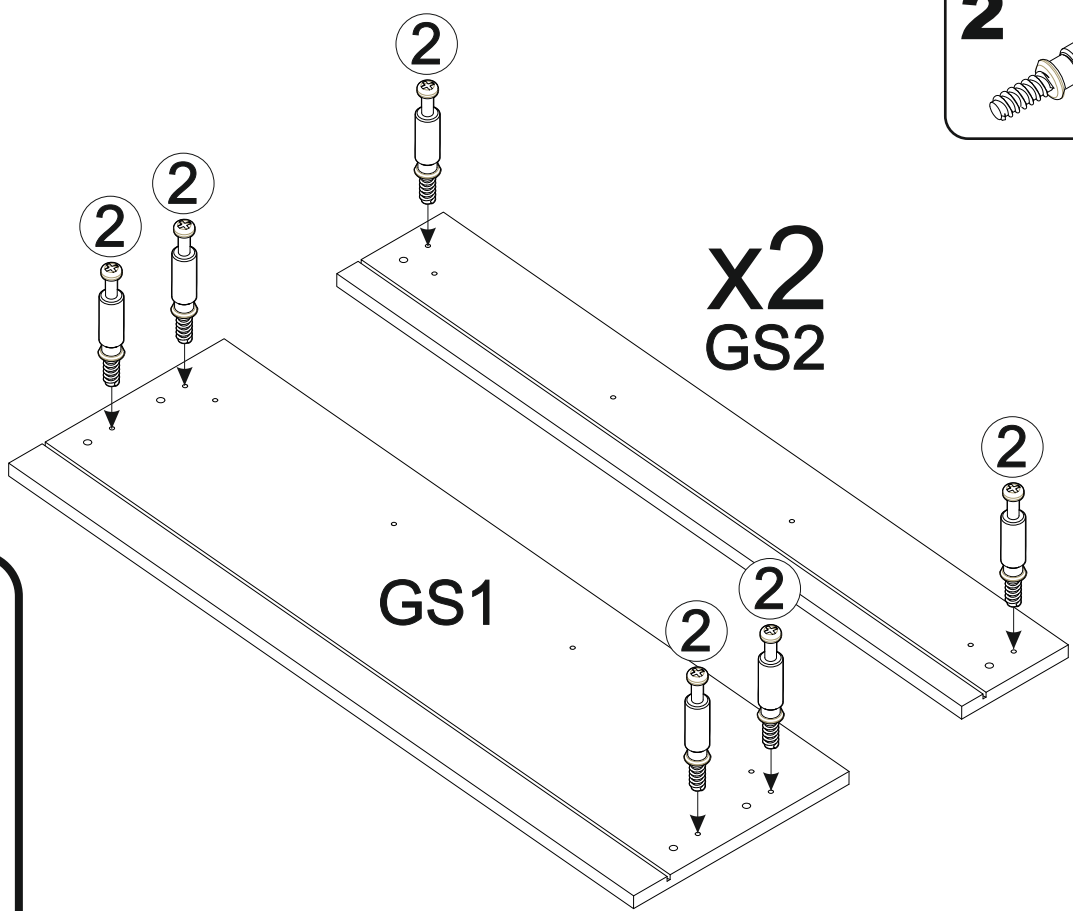
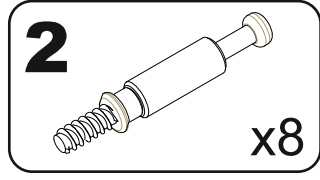
**6**



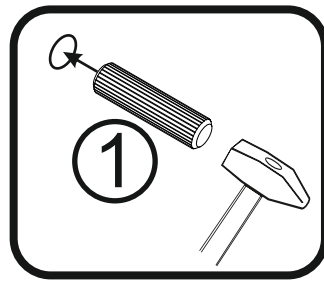
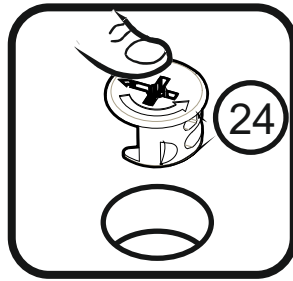
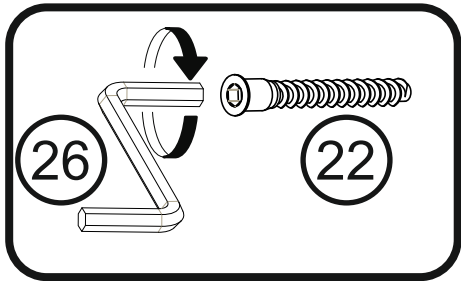
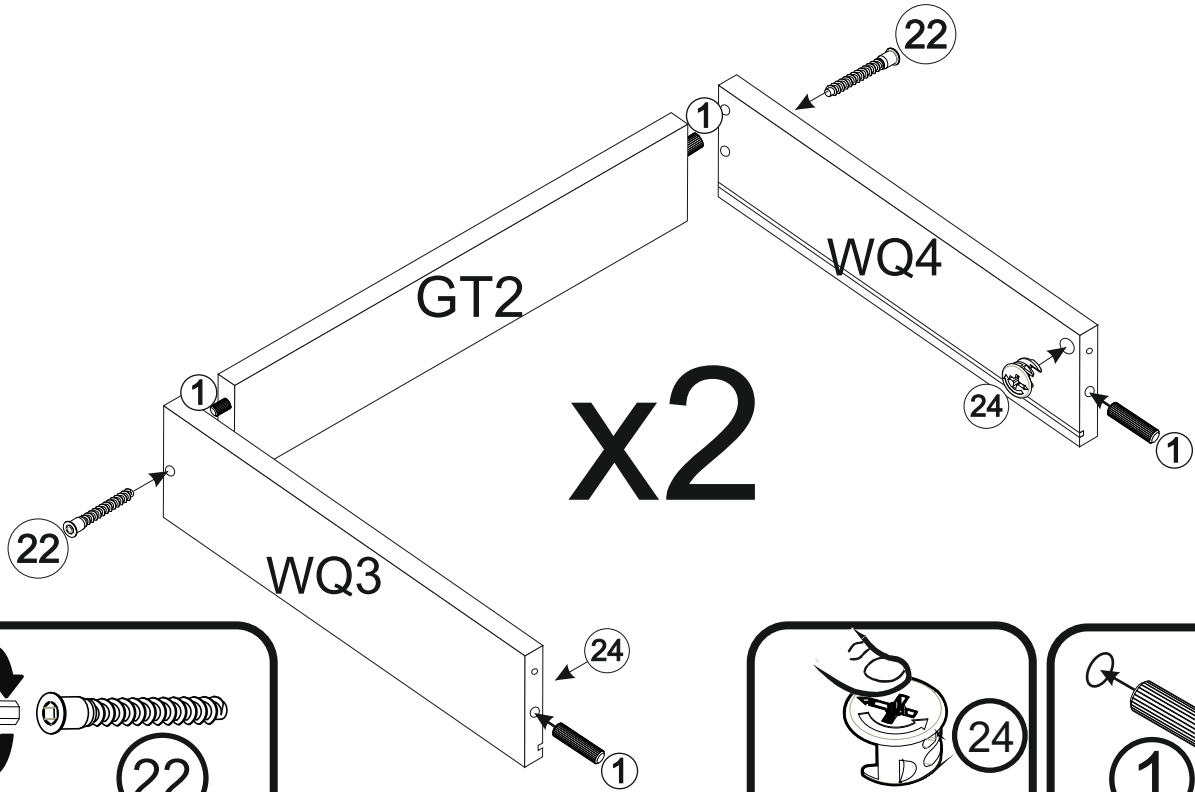
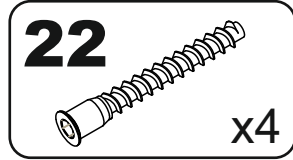
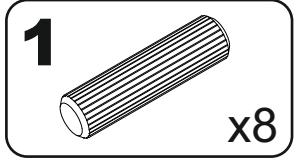
7



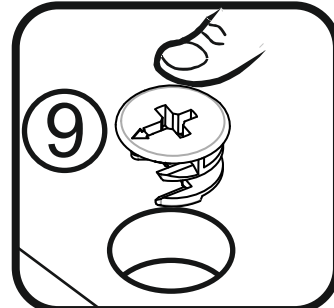
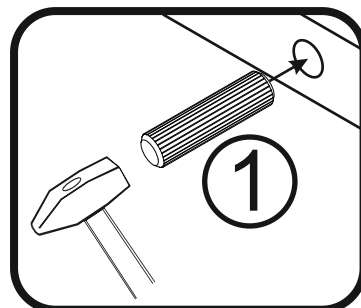
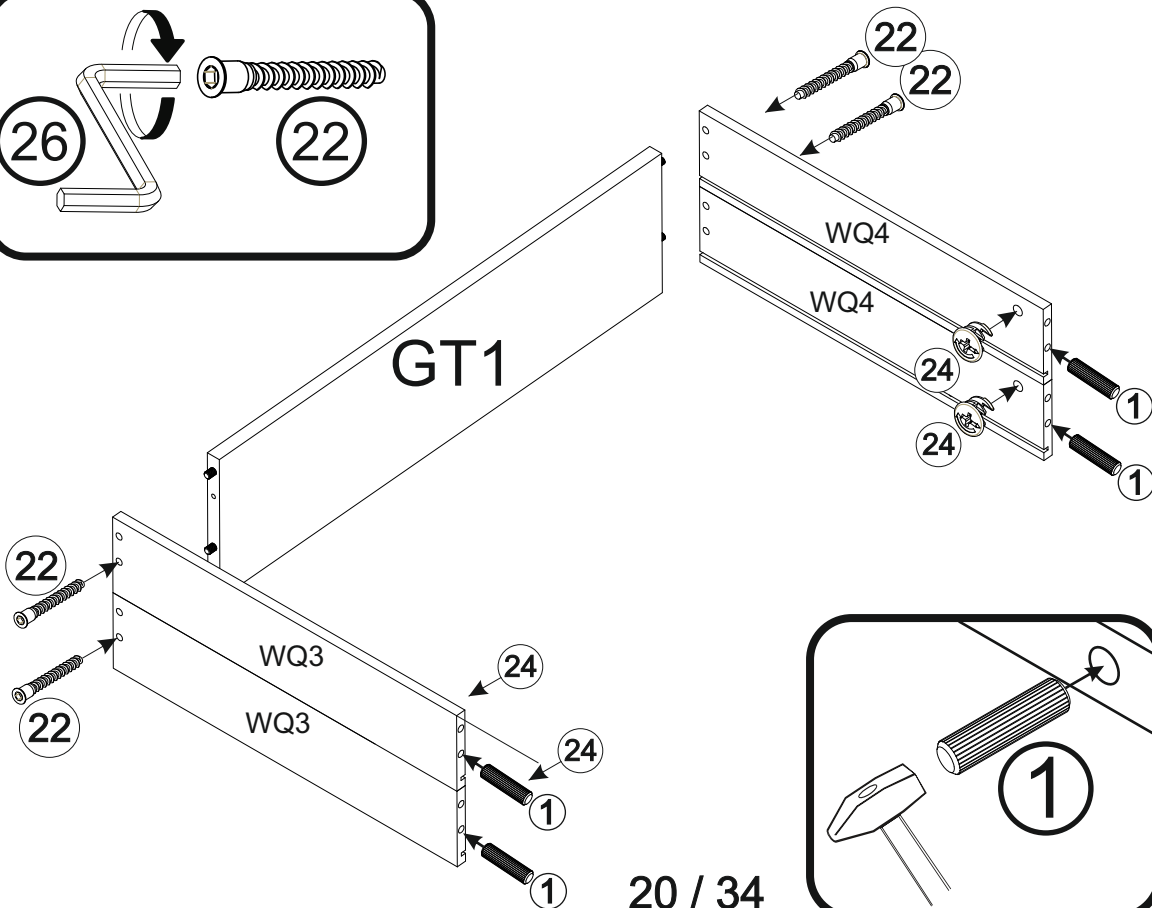
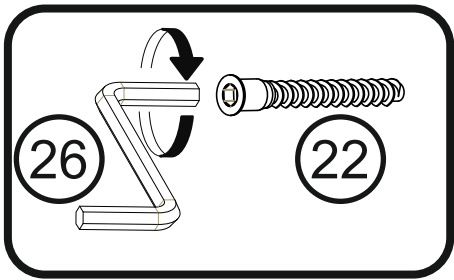
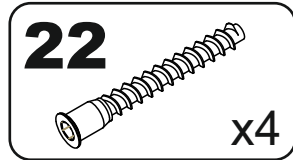
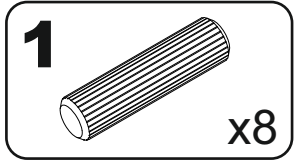
8



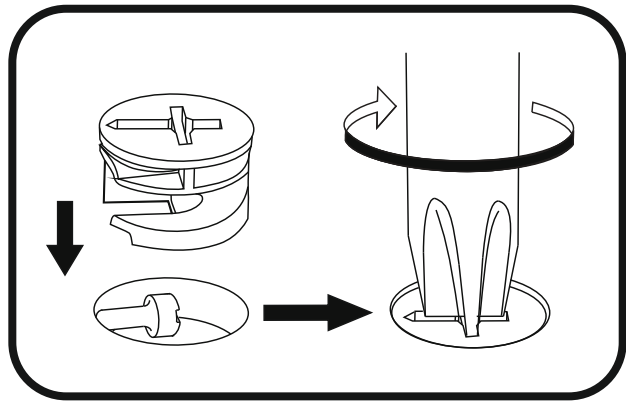
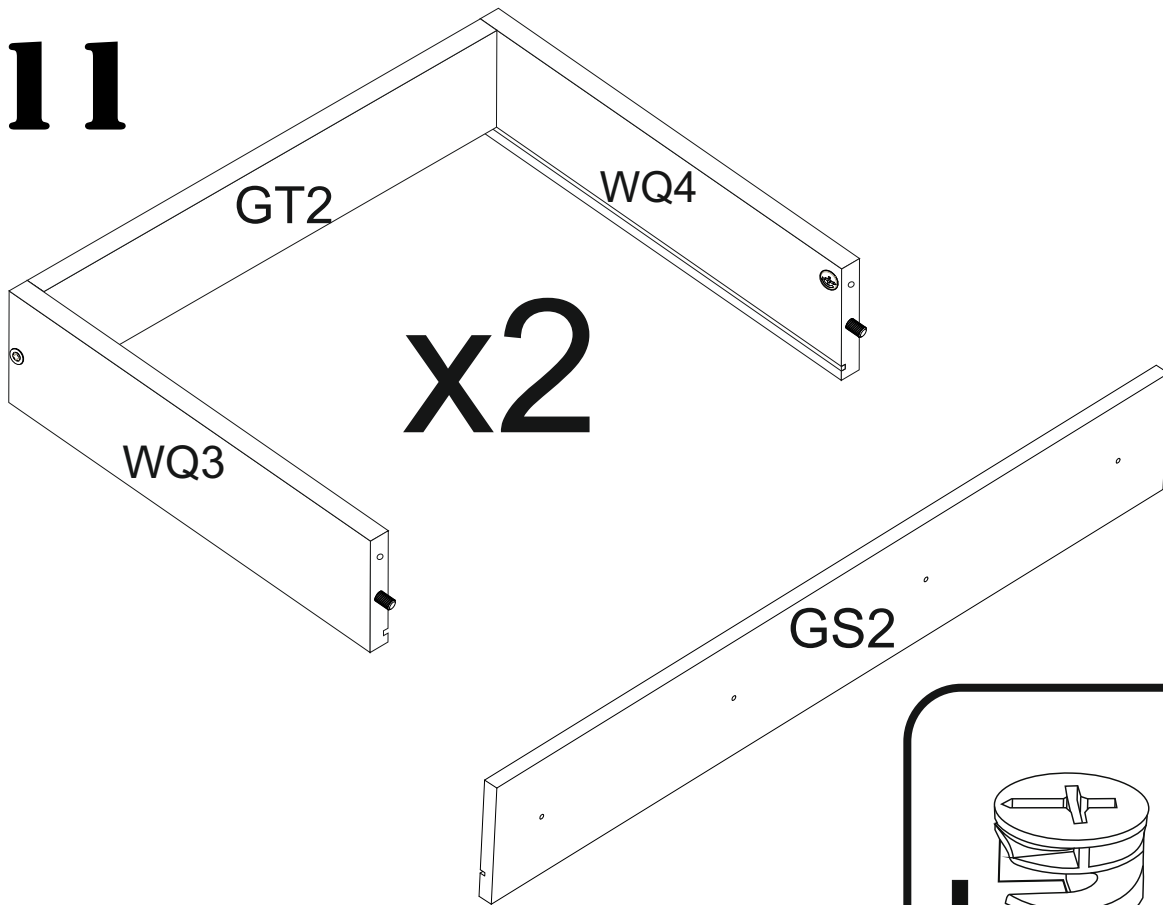
# 9



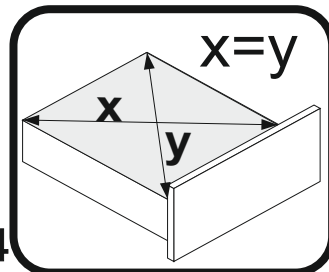
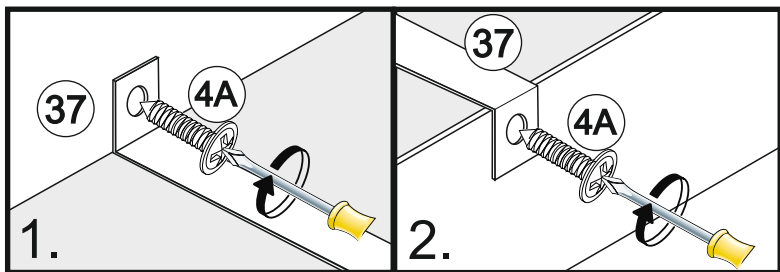
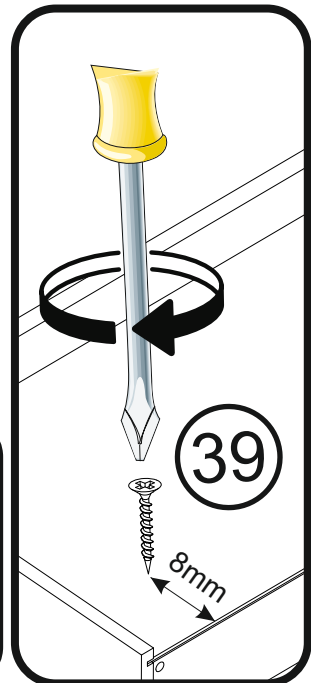
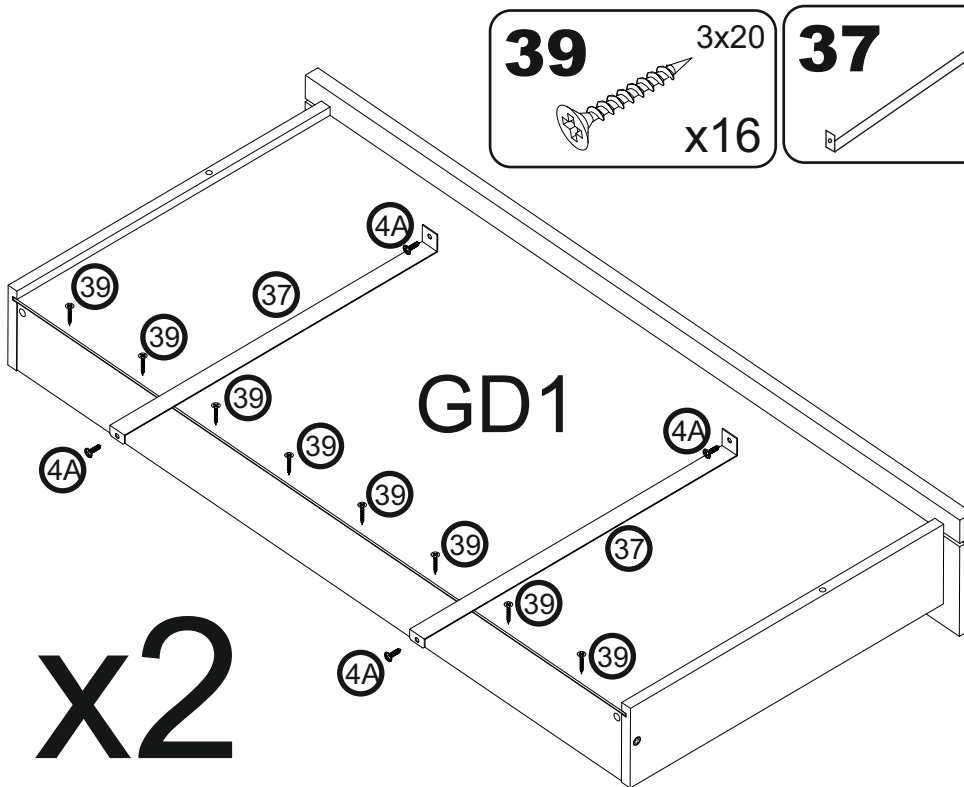
# 10



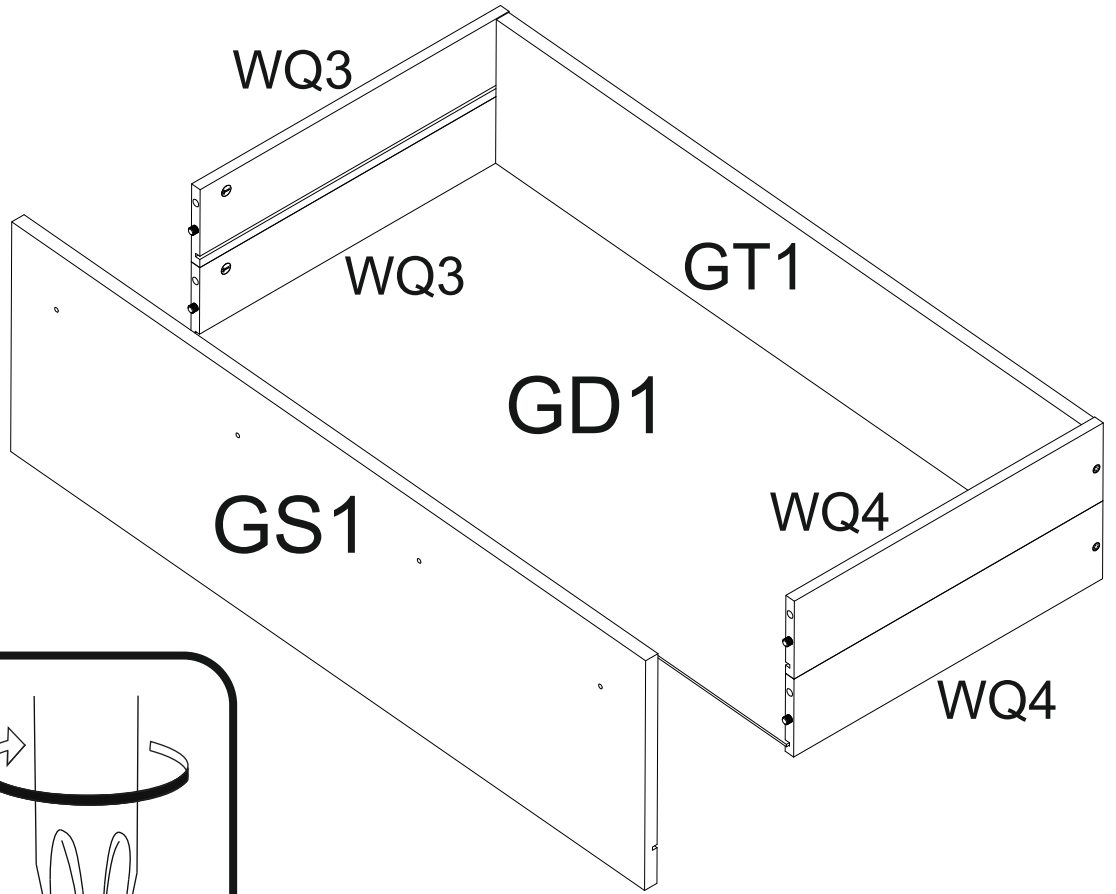
# 11



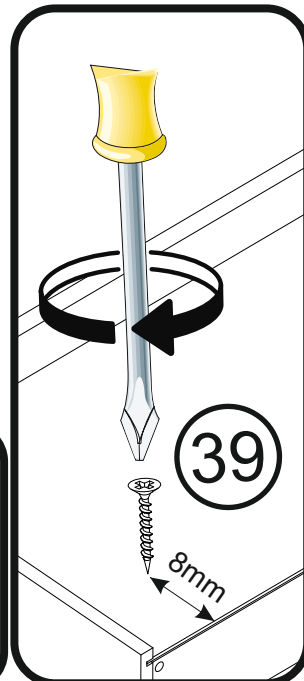
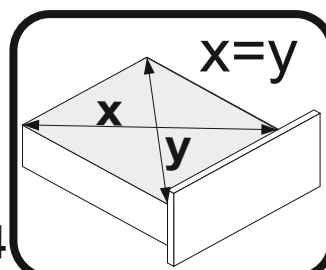
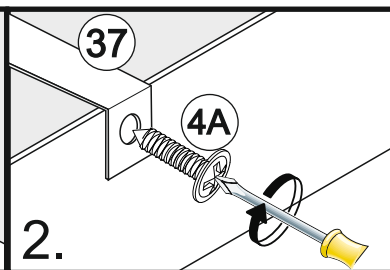
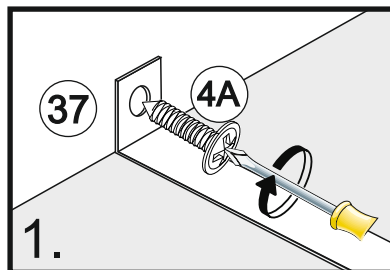
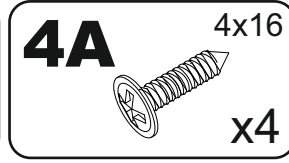
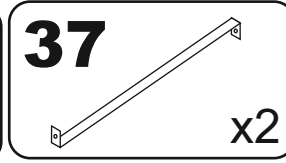
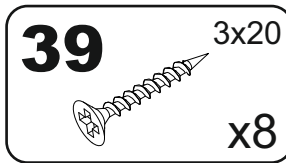
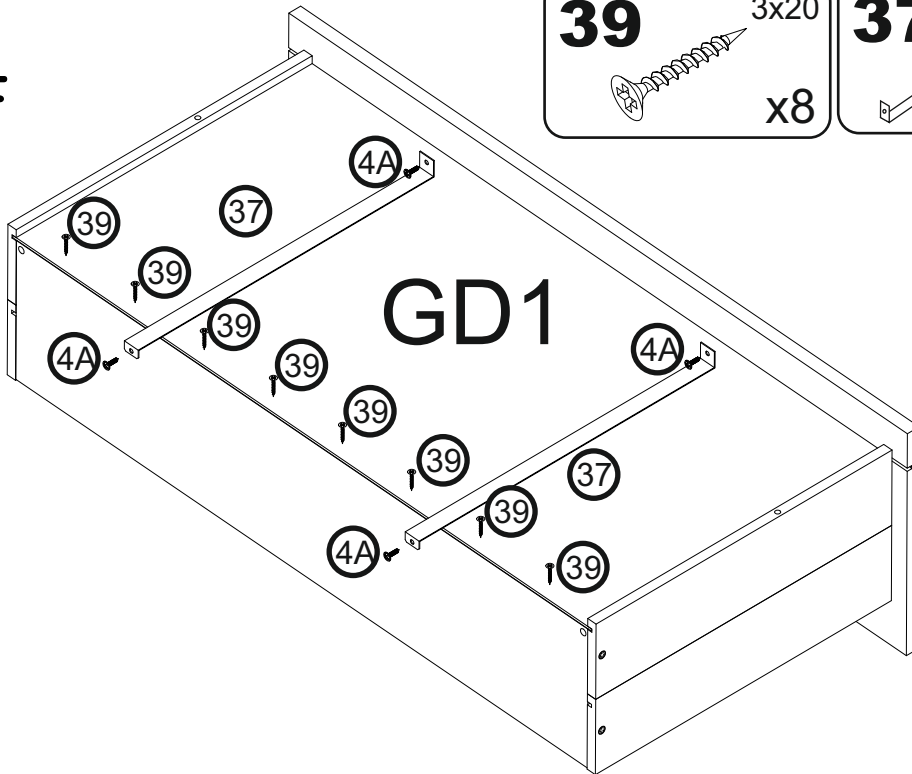
# 12



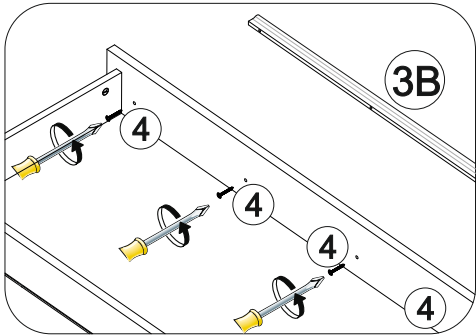
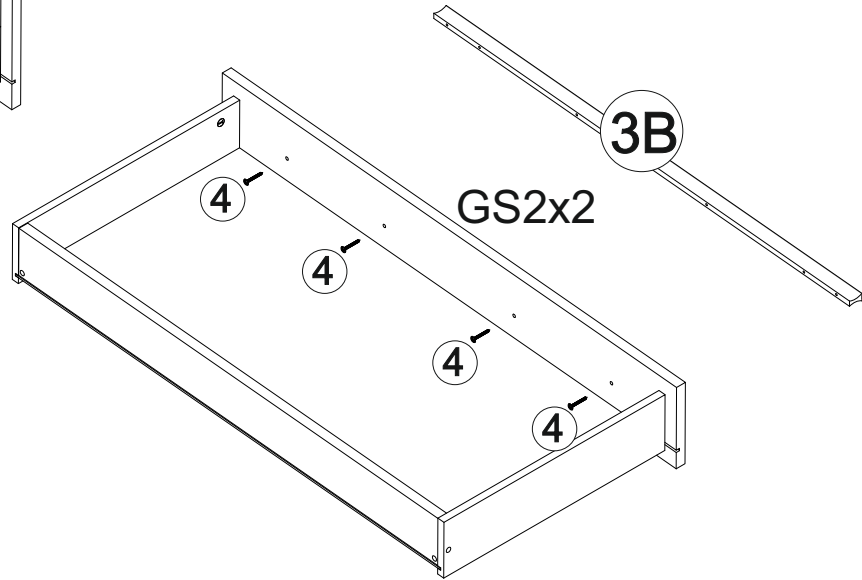
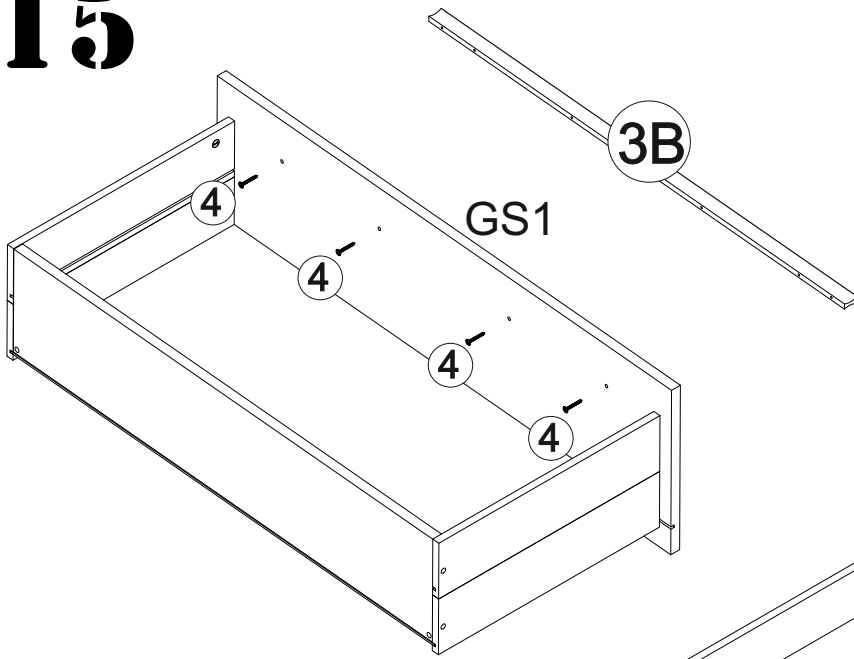
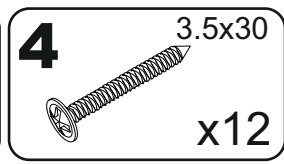
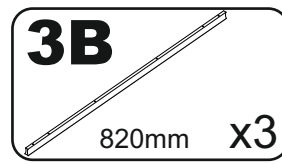
# 13



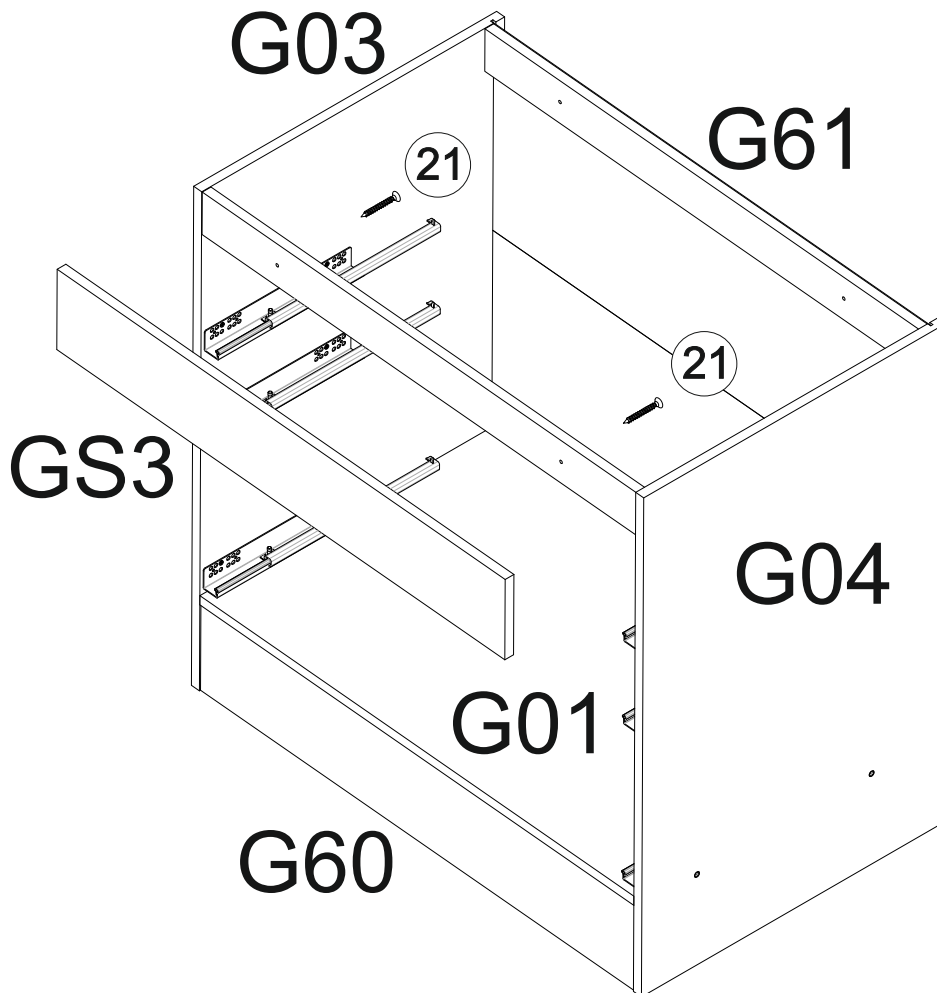
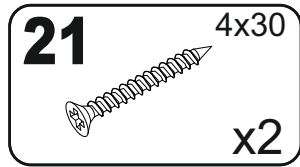
# 14



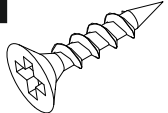
# 15

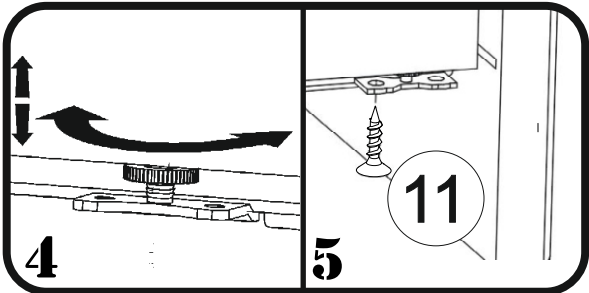
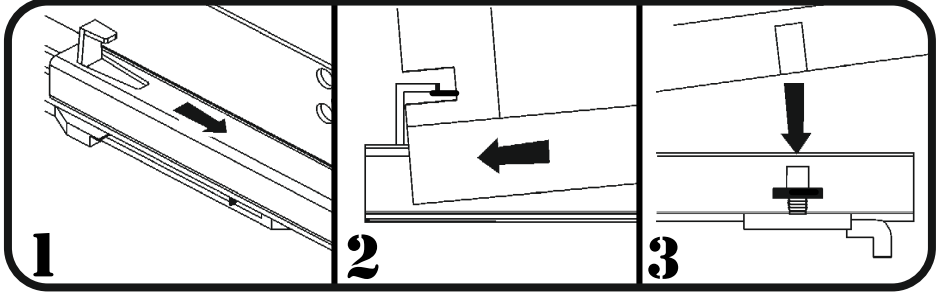
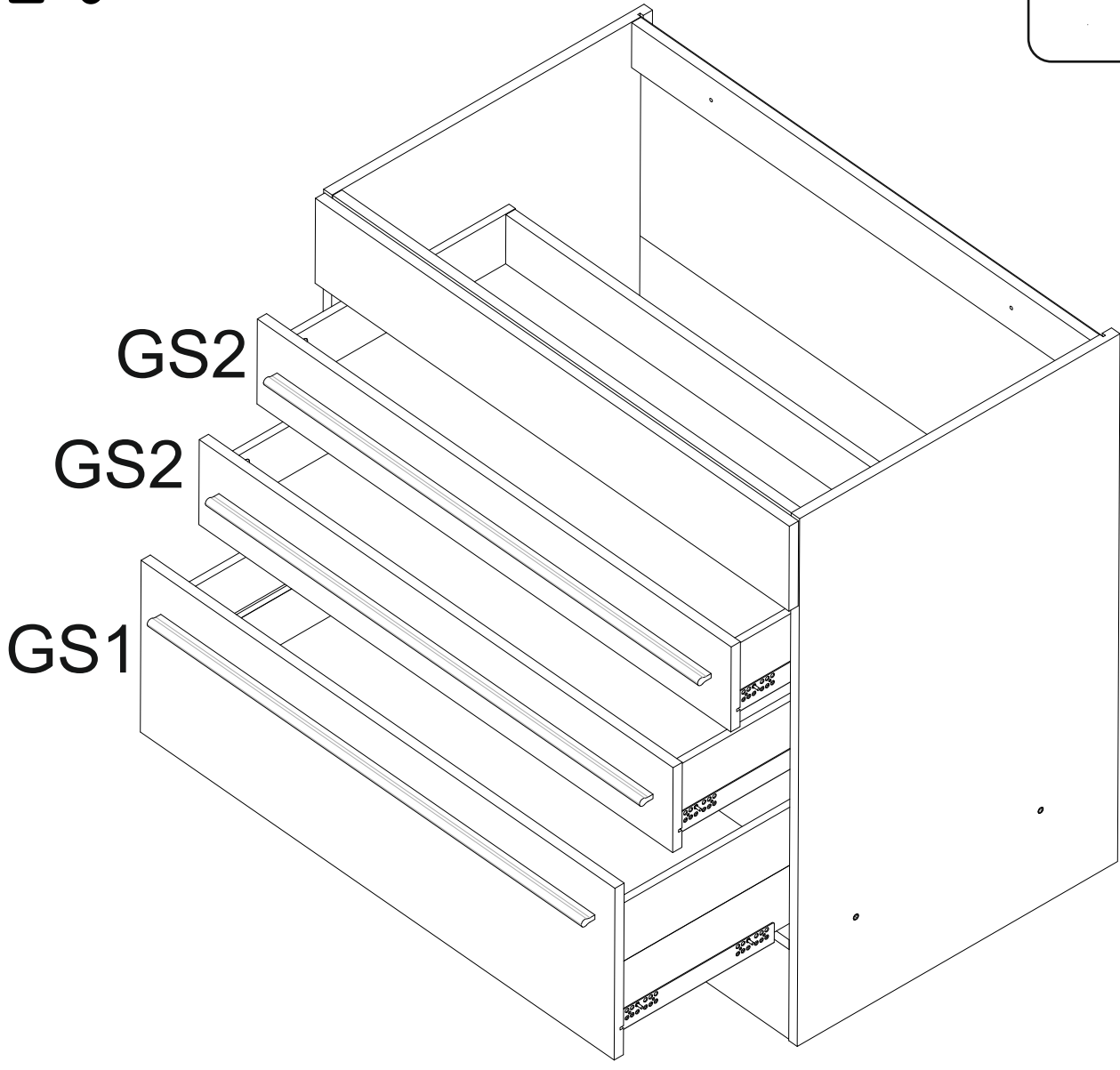


# 16

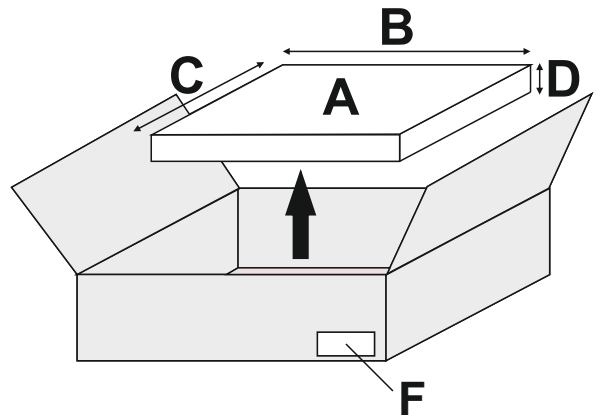
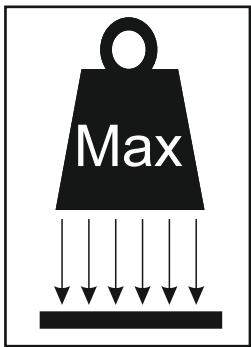
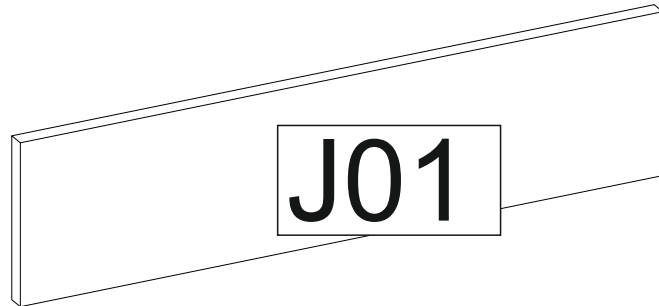
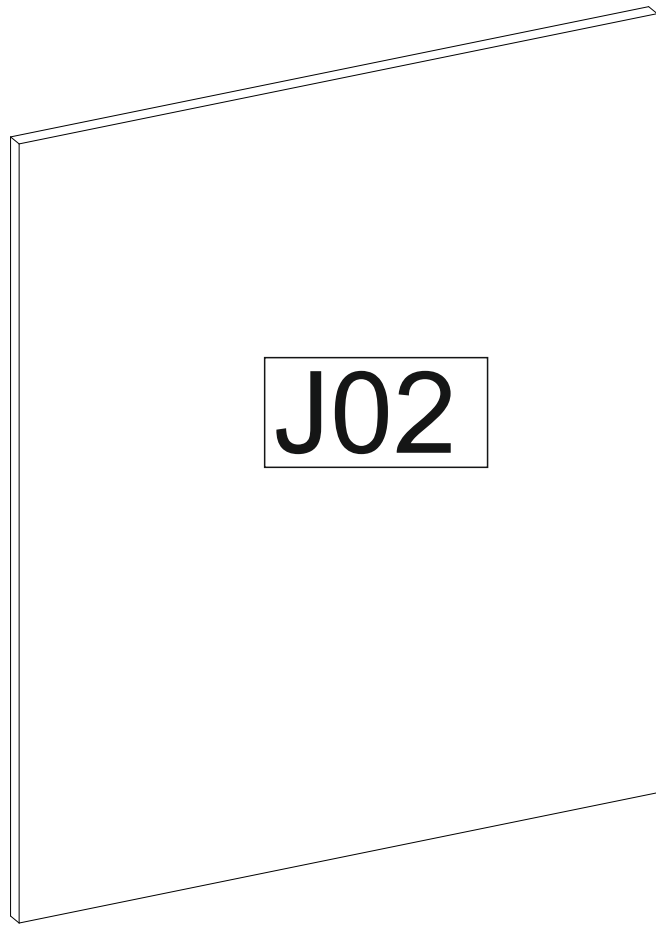
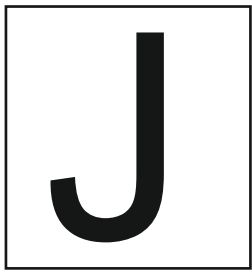


# 17

**11** 3.5x13  
  
x6

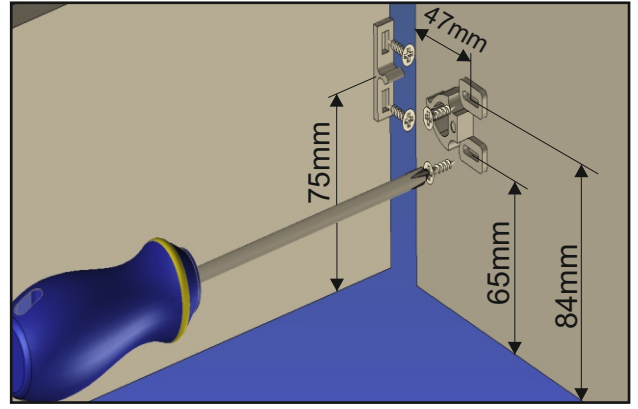
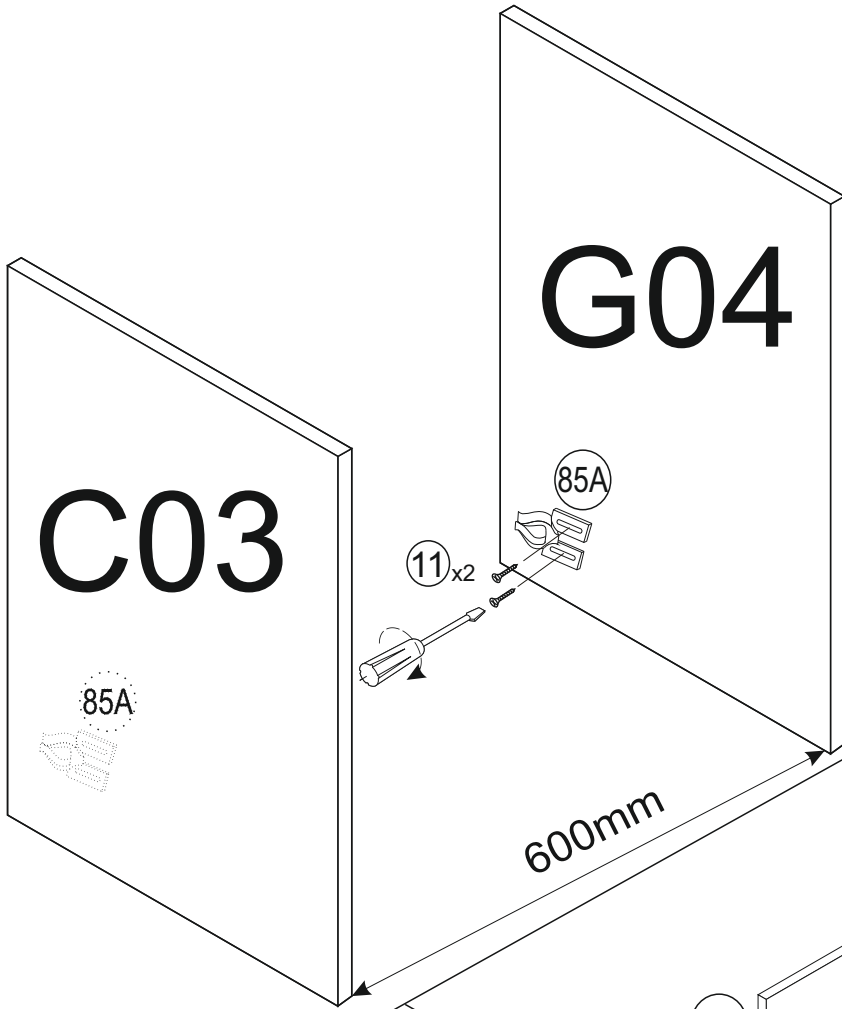




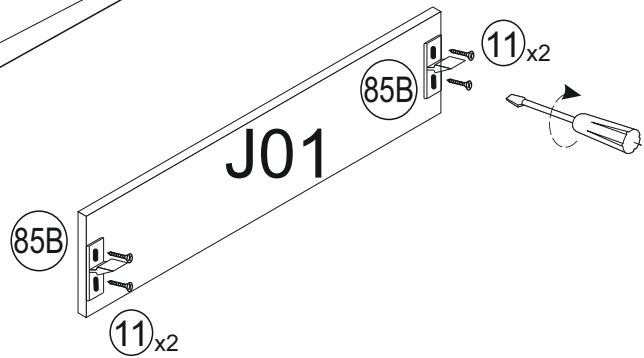


A	B_(mm)	C_(mm)	D_(mm)	E	F
J01	600	150	16	1	5 6
J02	713	596	16	1	5 6

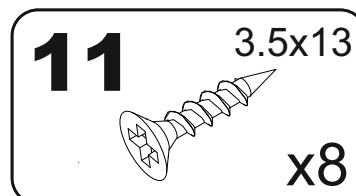
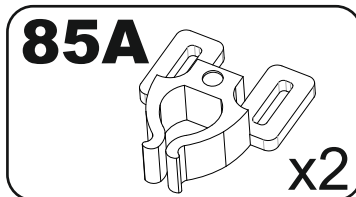
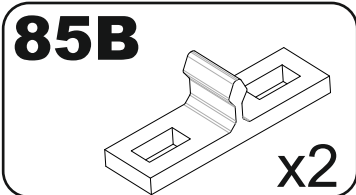
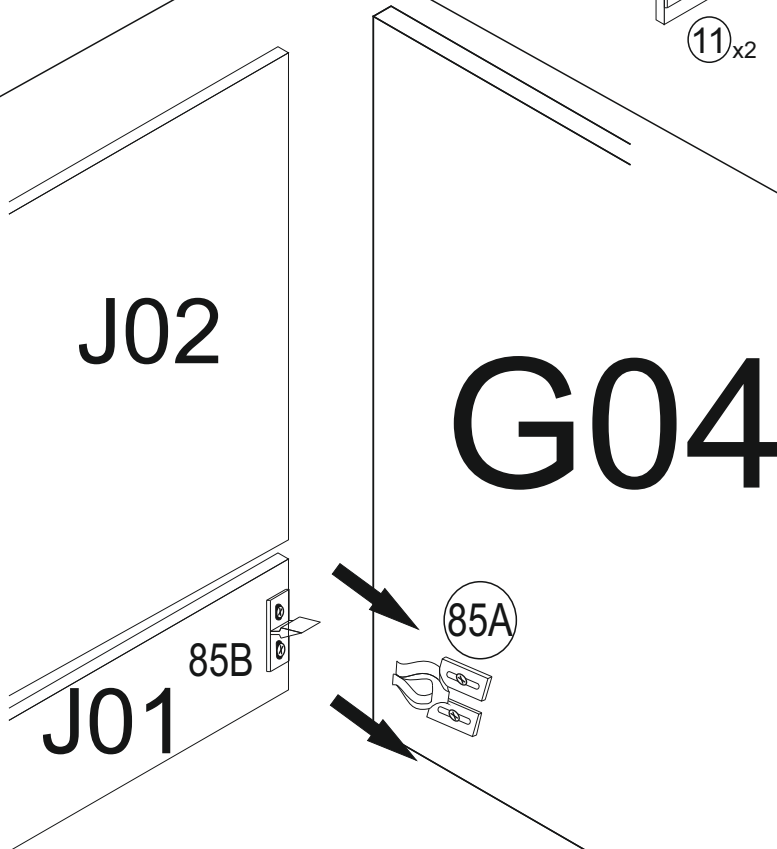
# 1

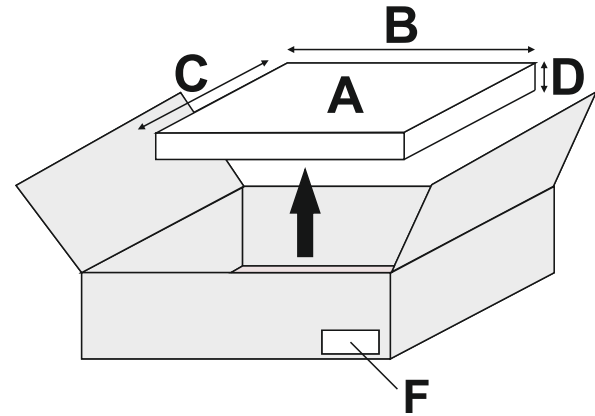
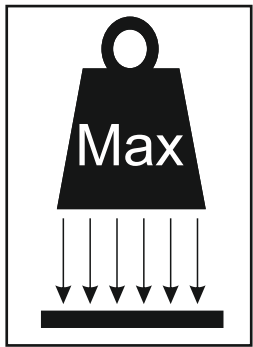
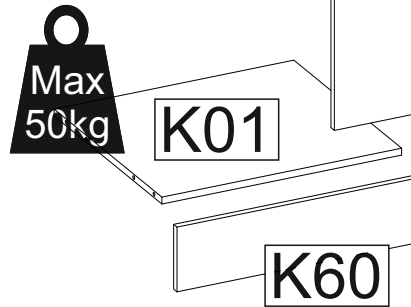
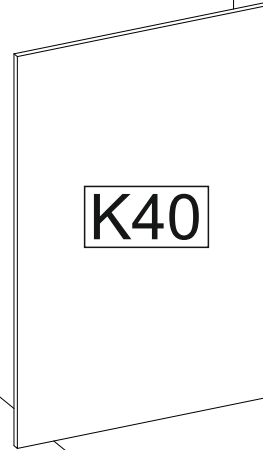
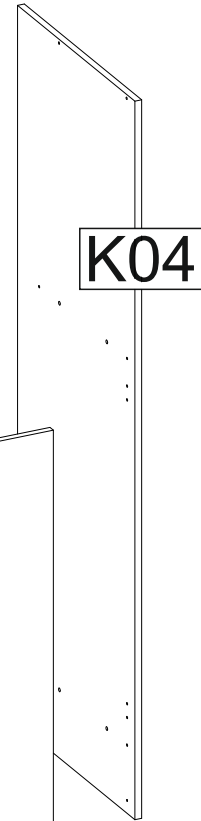
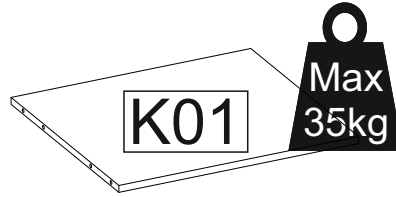
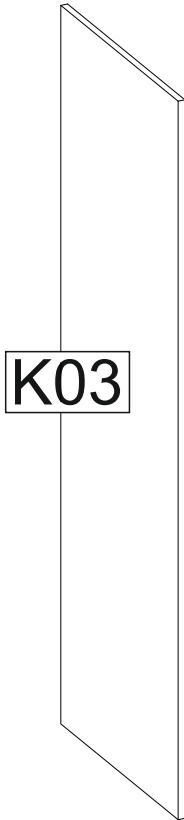
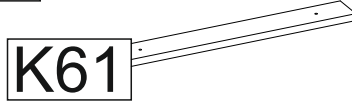
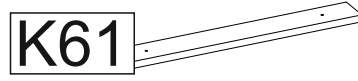
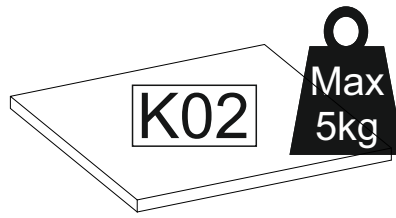
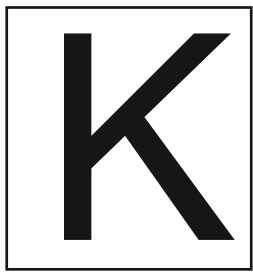


# 2



# 3

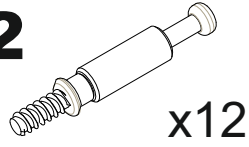




A	B (mm)	C (mm)	D (mm)	E	F
K01	567	510	16	2	4 6
K02	601	600	28	1	5 6
K03	1665	555	16	1	4 6
K04	1665	555	16	1	4 6
K40	908	596	16	1	5 6
K60	567	150	16	1	4 6
K61	567	74	16	2	4 6

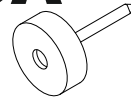
# 1

## 2



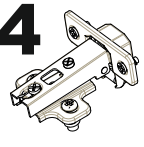
x12

## 10A



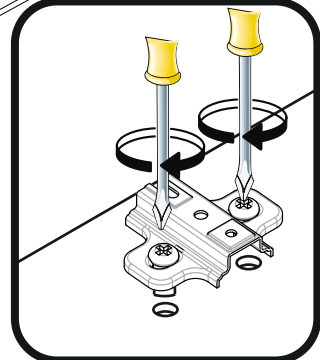
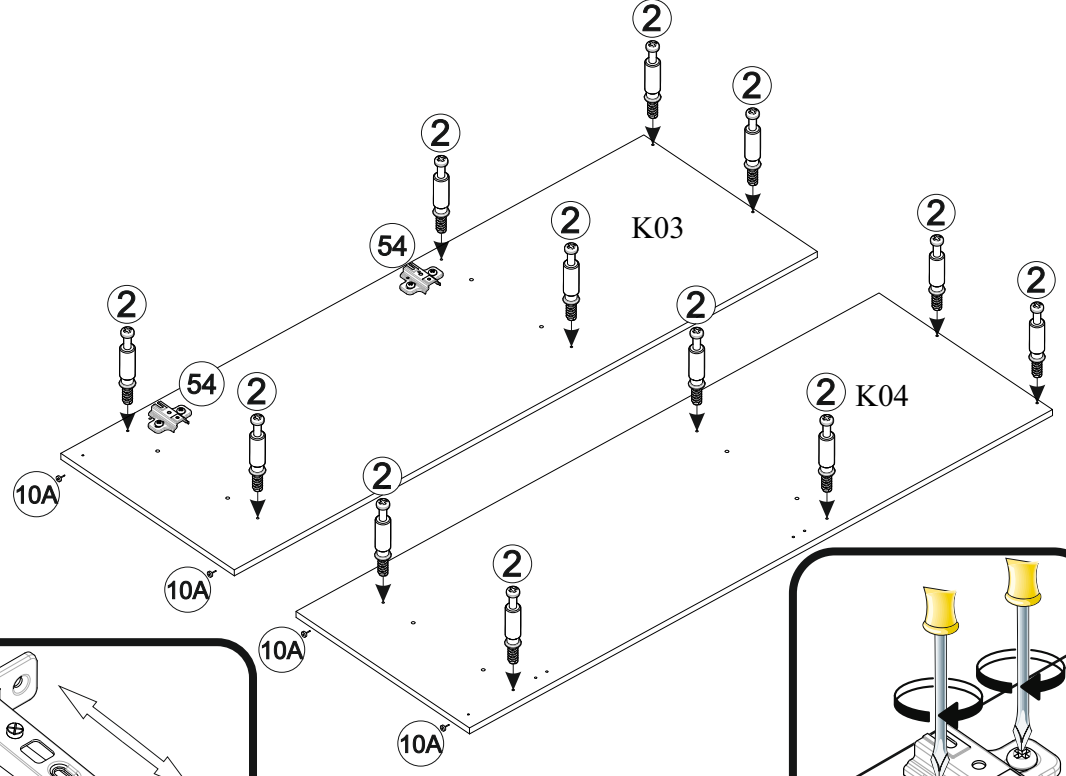
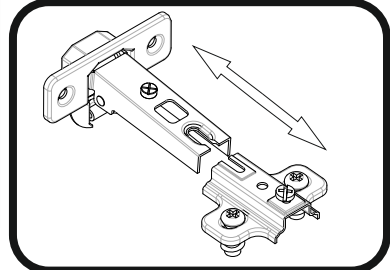
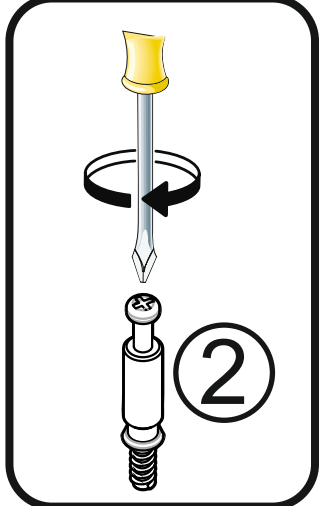
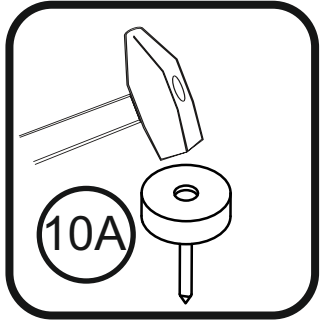
x4

## 54



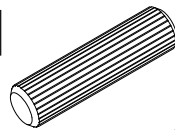
ø35

x2



# 2

## 1



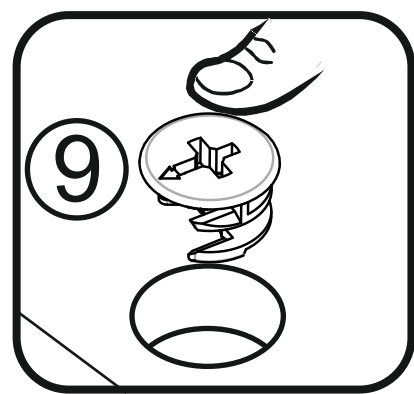
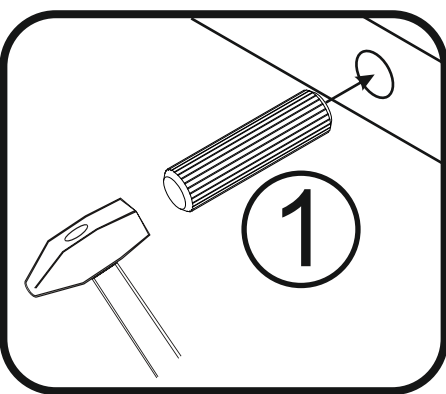
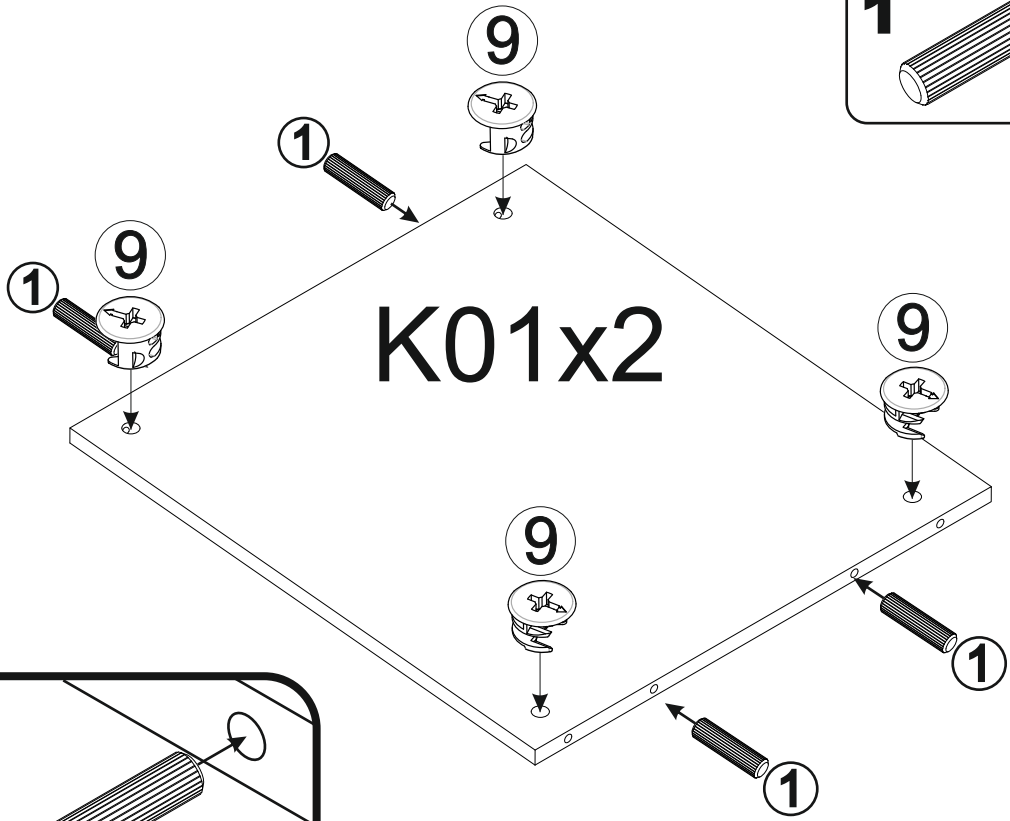
x8

## 9

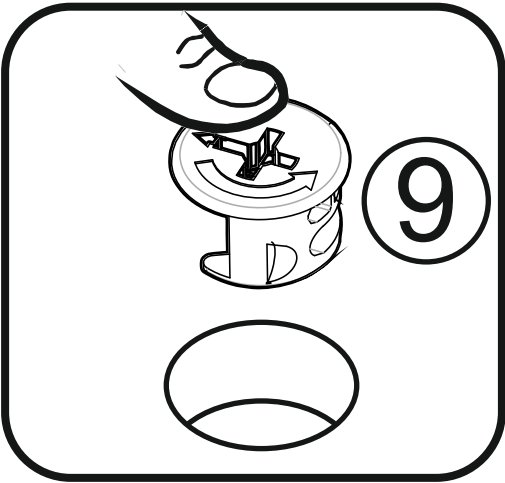
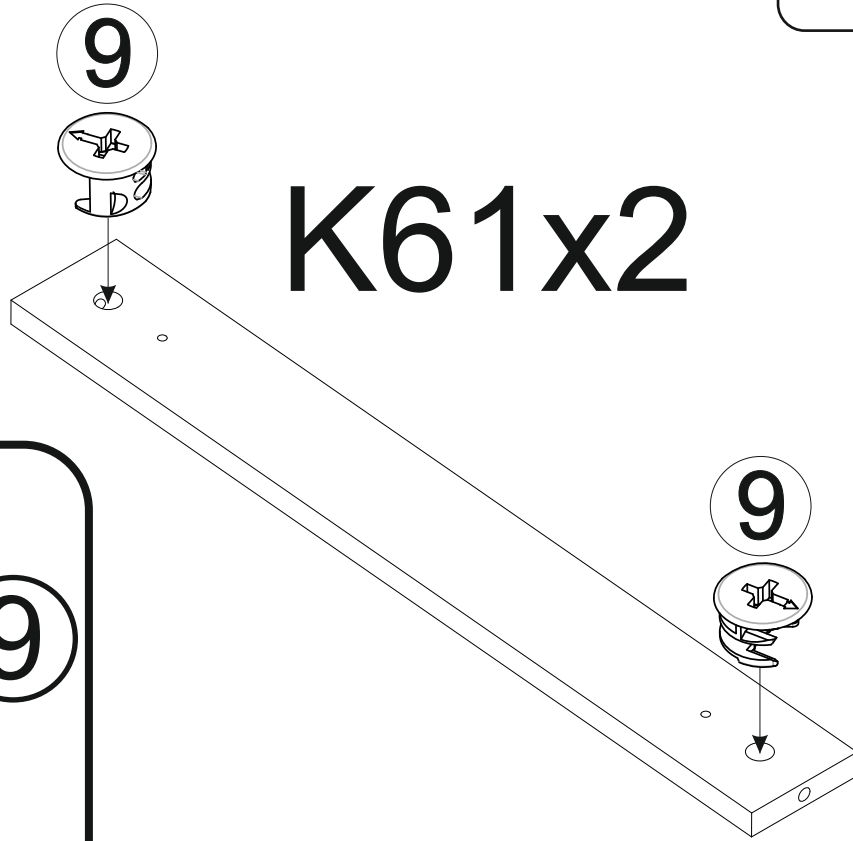
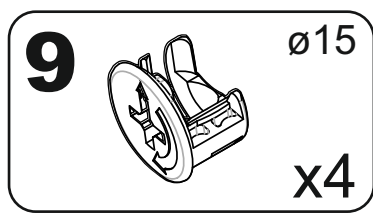


ø15

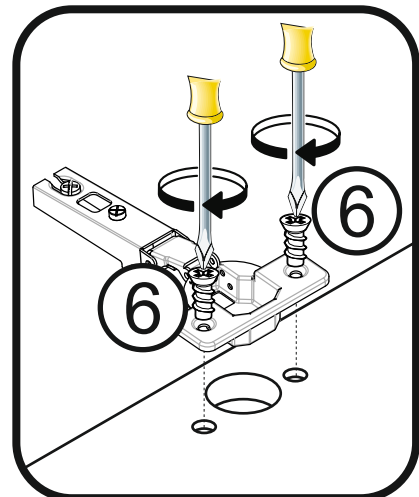
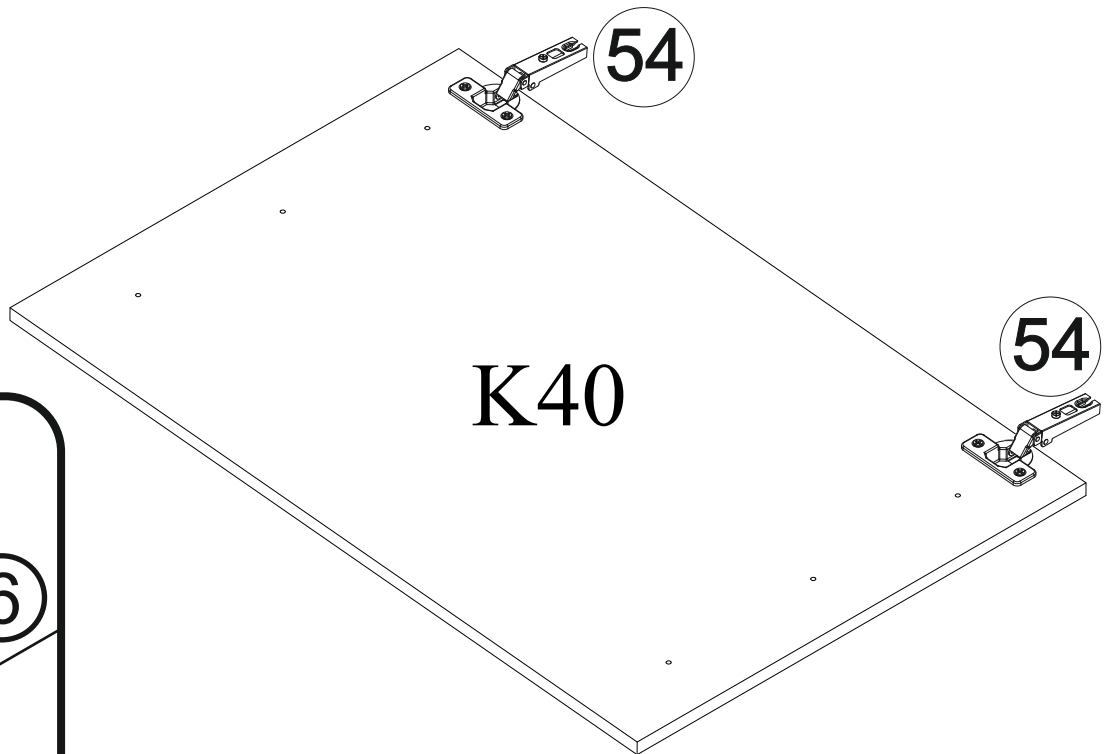
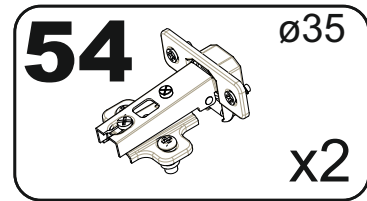
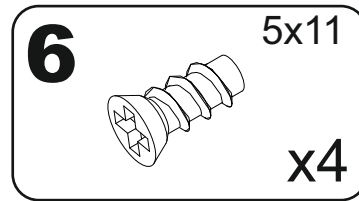
x8



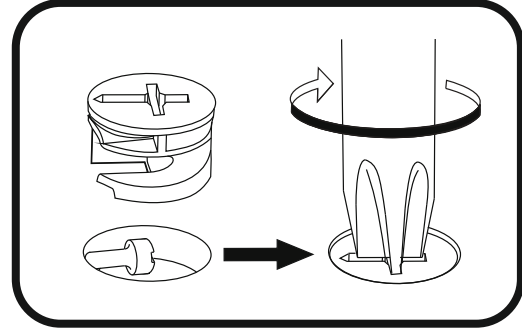
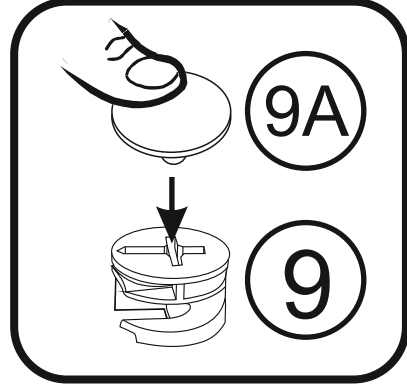
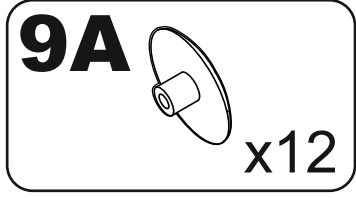
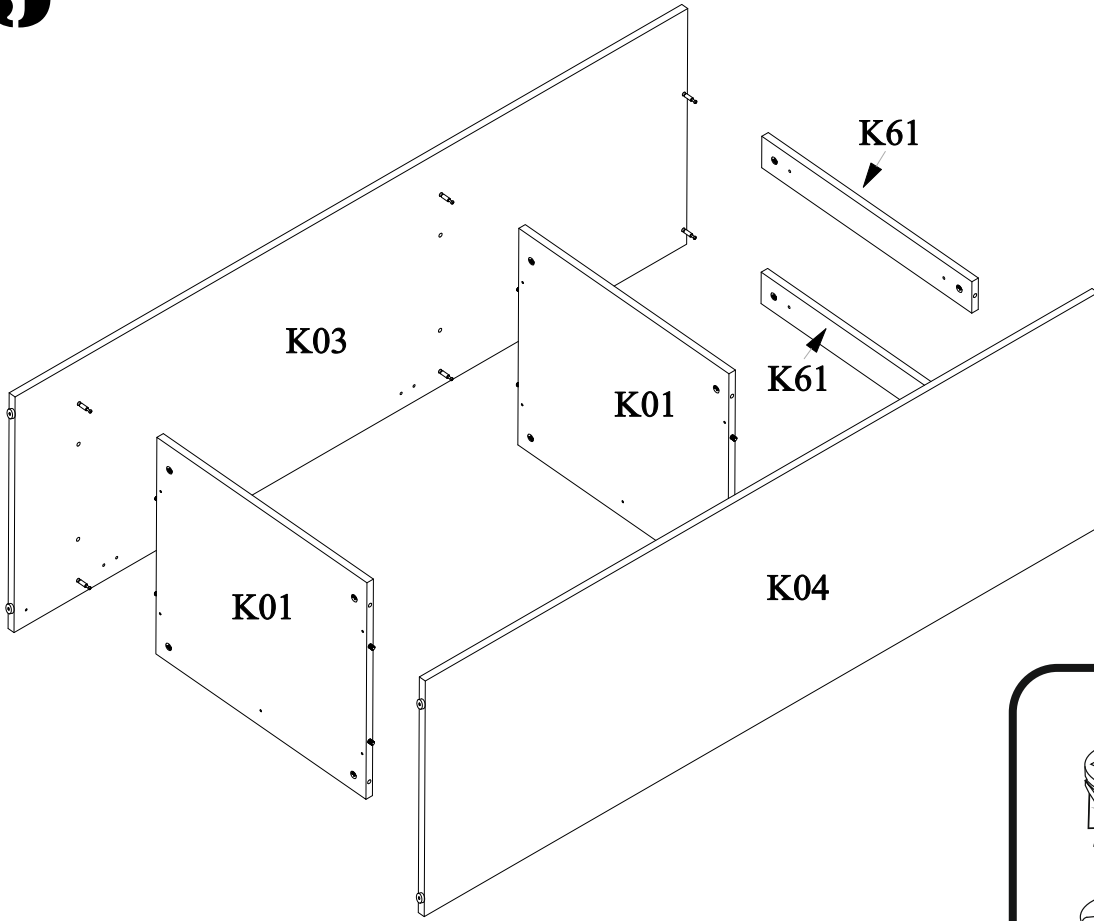
**3**



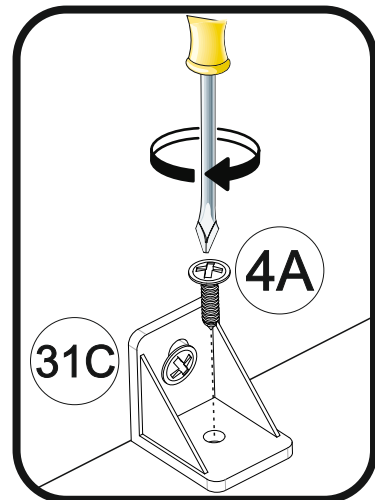
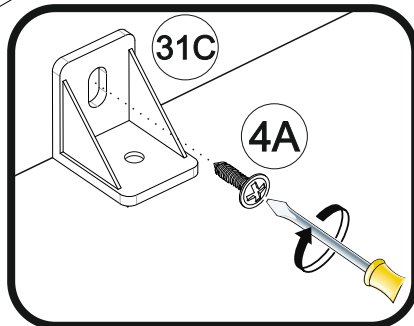
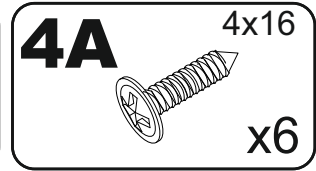
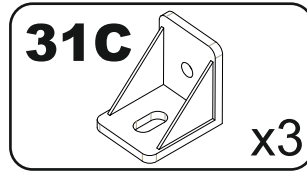
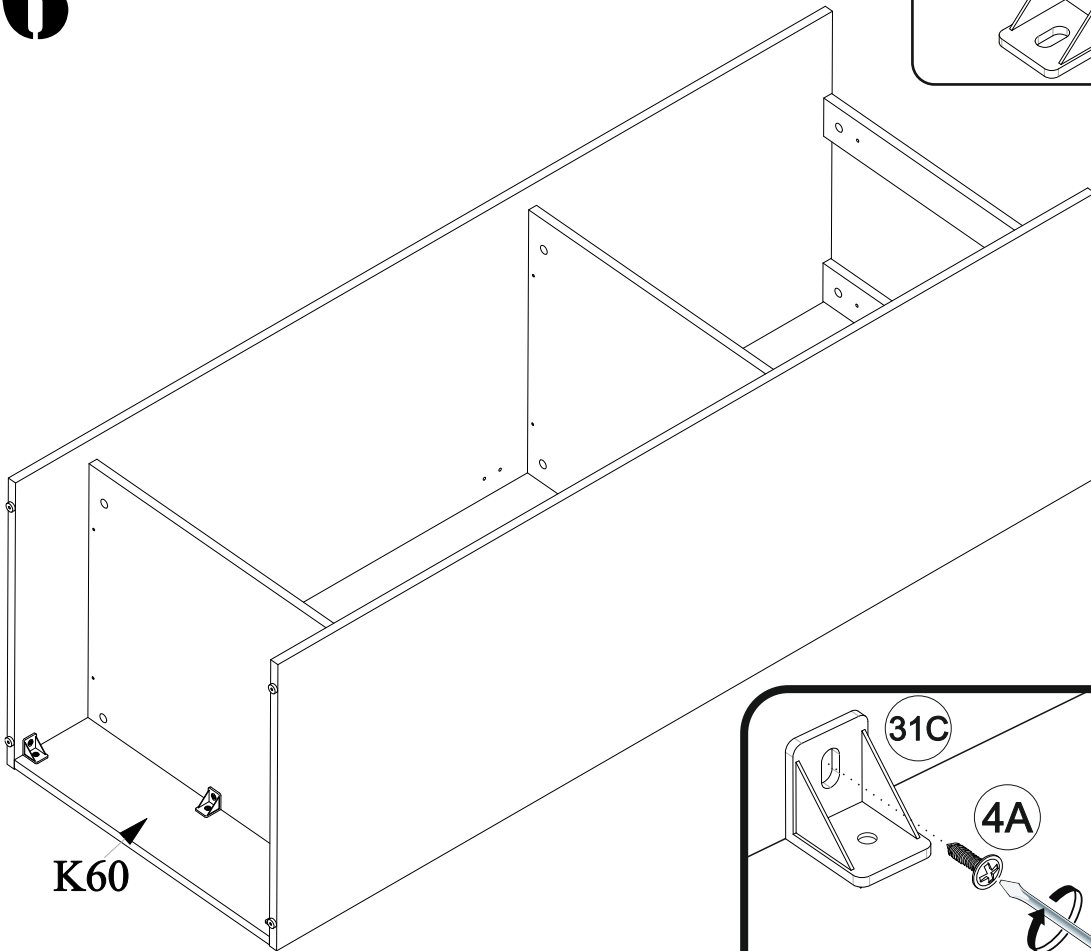
**4**



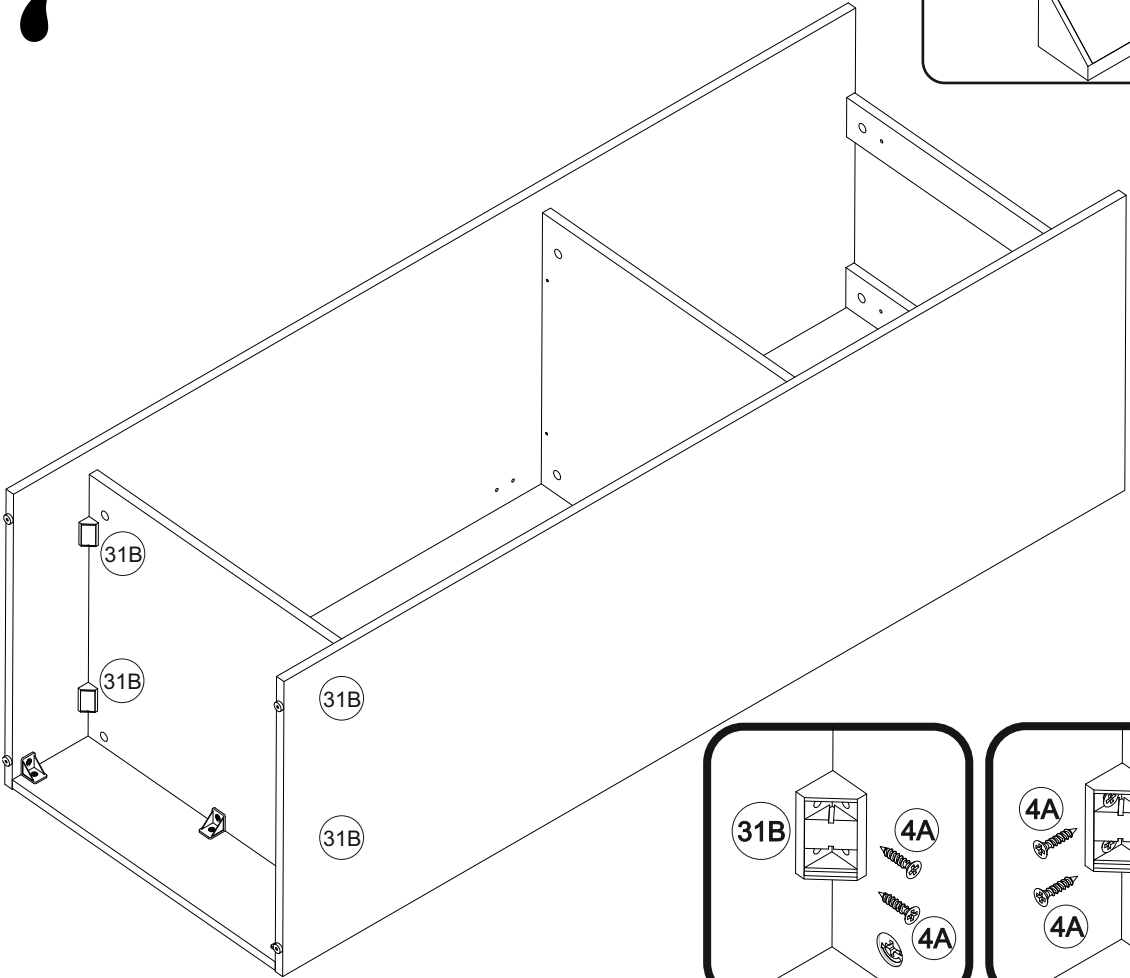
**5**

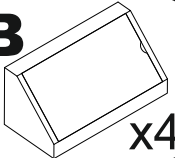


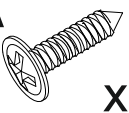
**6**

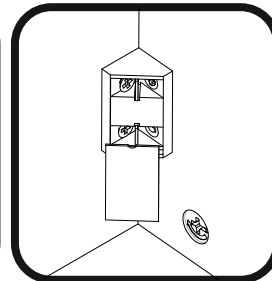
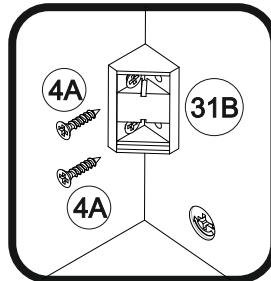
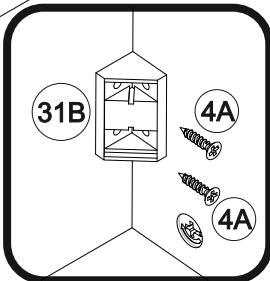


7

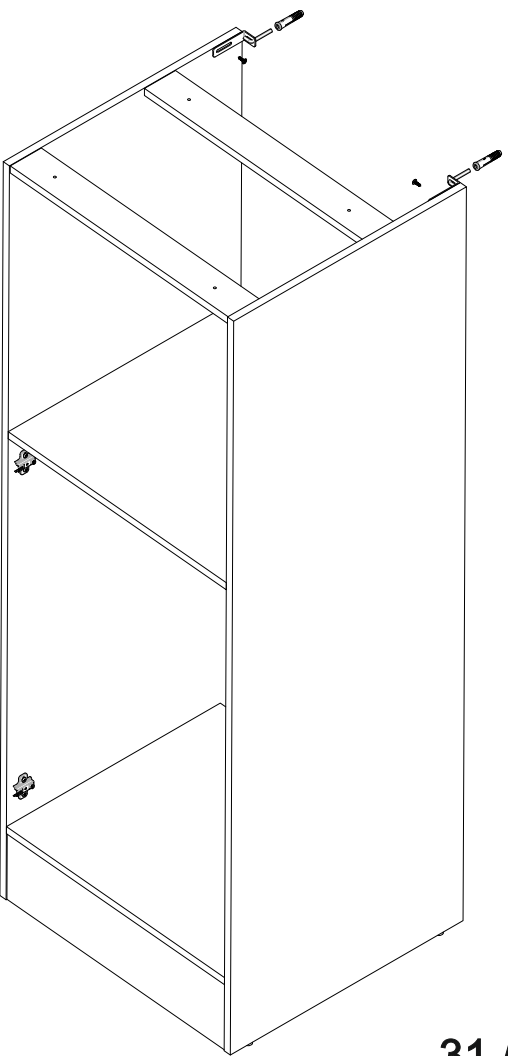


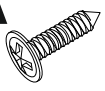
**31B**  x4

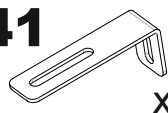
**4A**  4x16  
x16

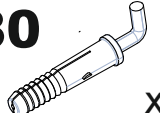


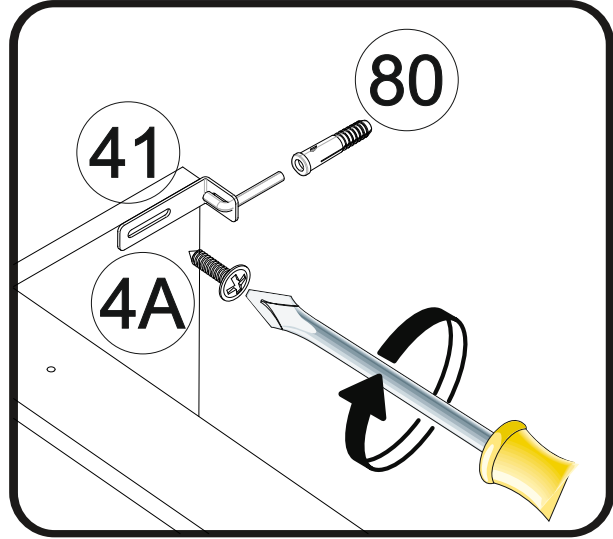
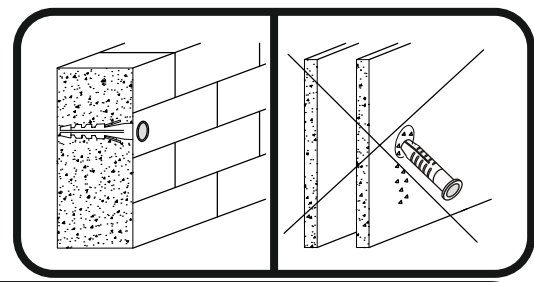
8



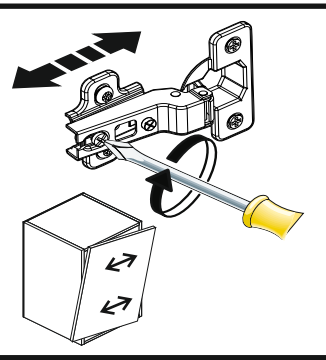
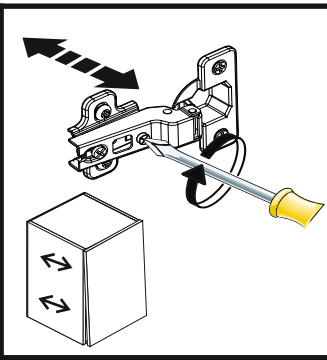
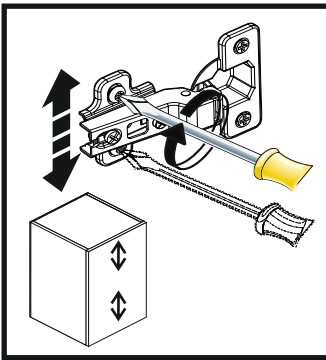
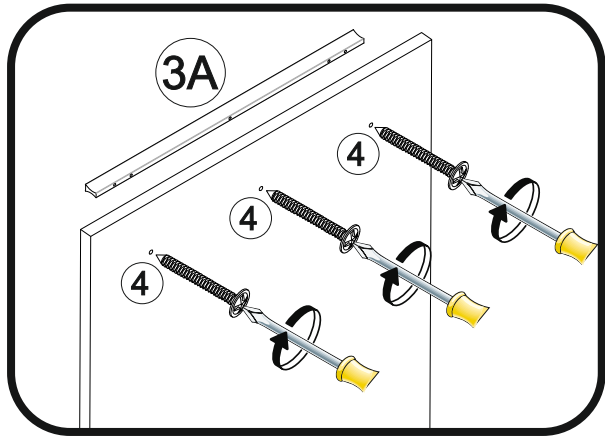
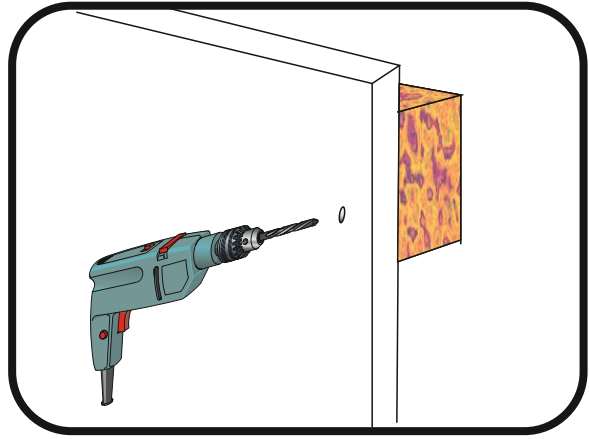
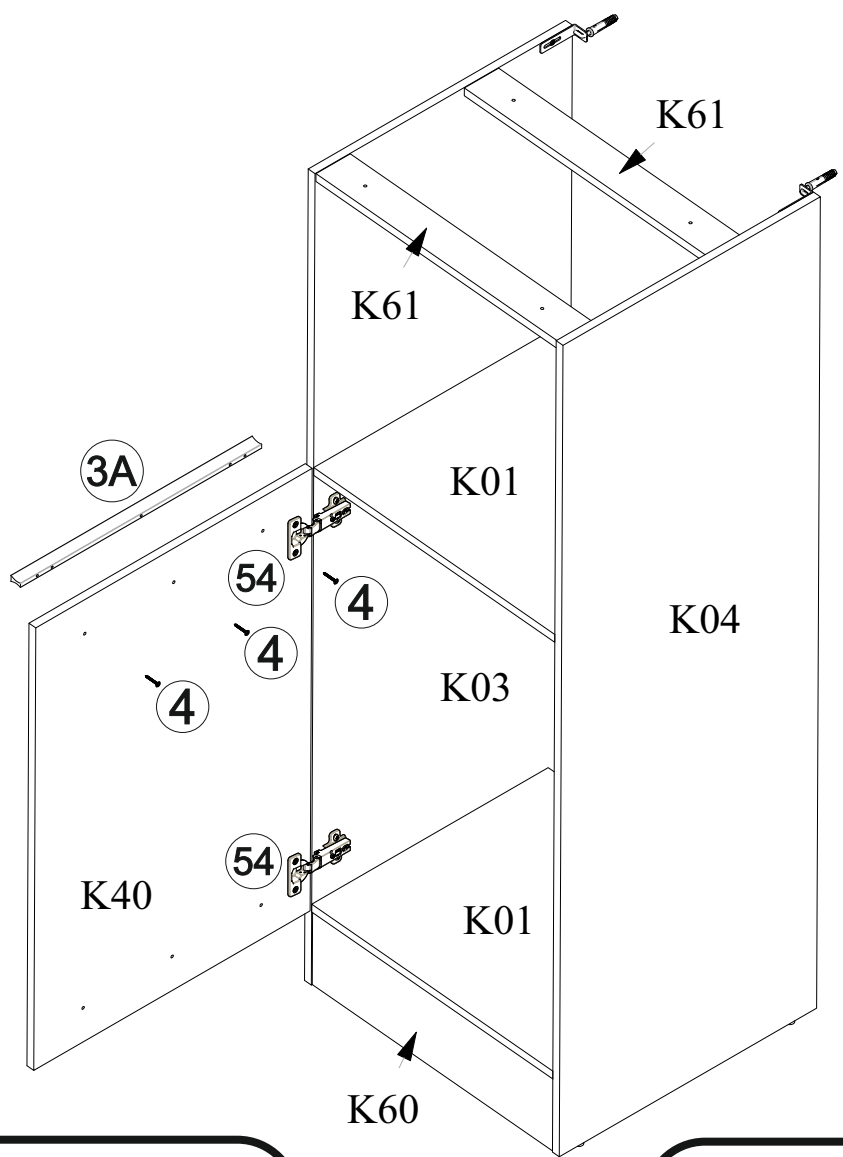
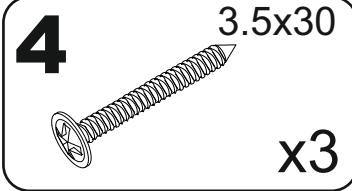
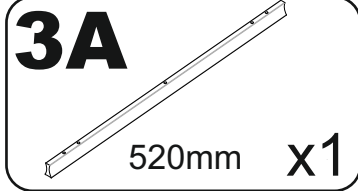
**4A**  4x16  
x2

**41**  x2

**80**  x2

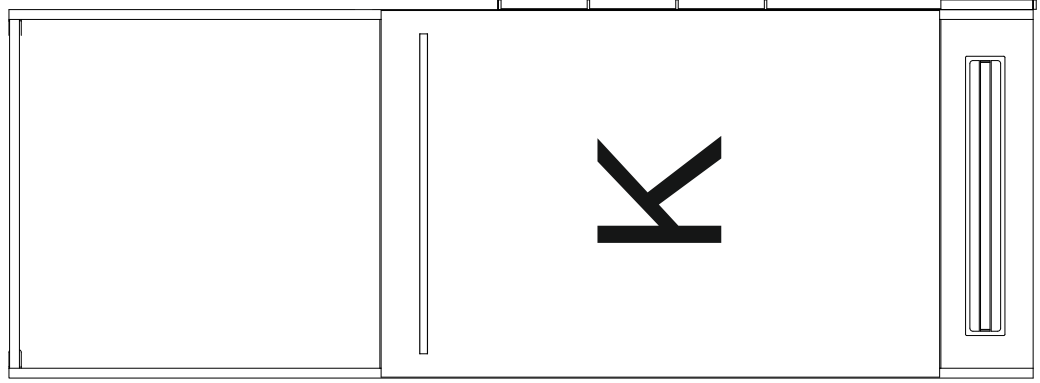
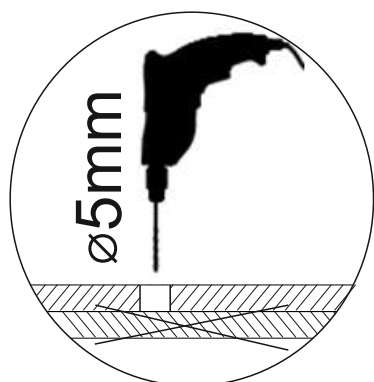
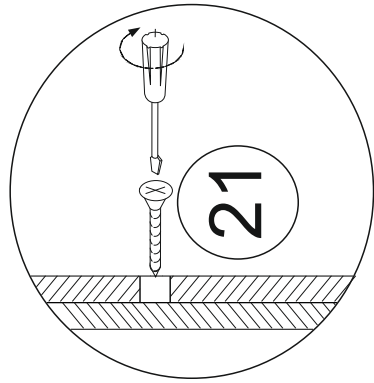
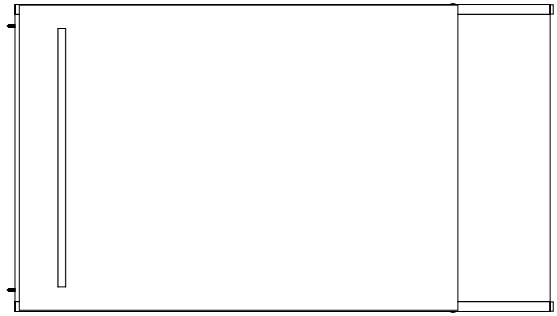
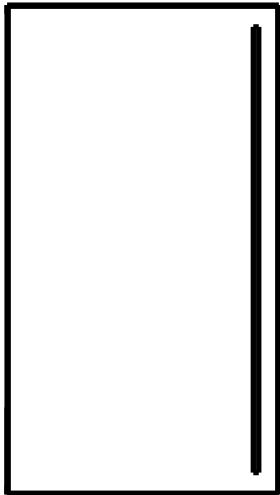


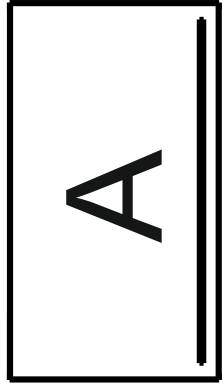
# 9



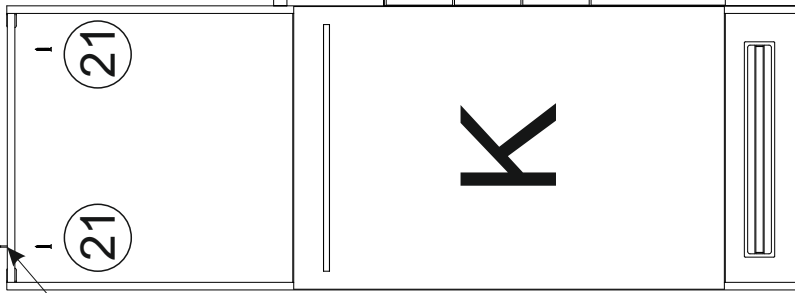
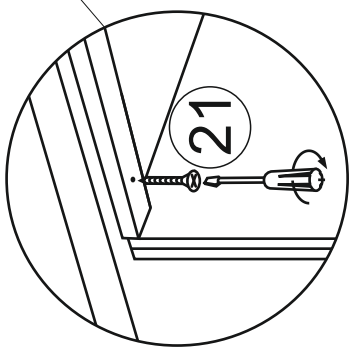


**21** 4x30 **x2**





K02



Z01

