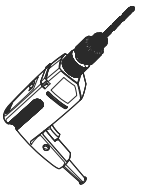
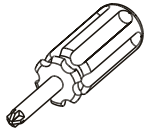
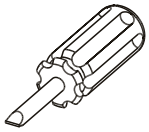
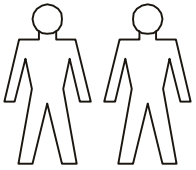
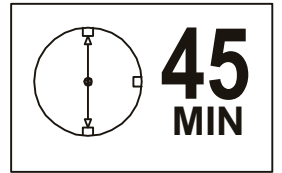
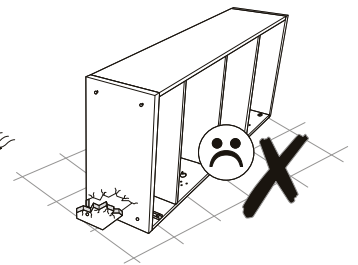
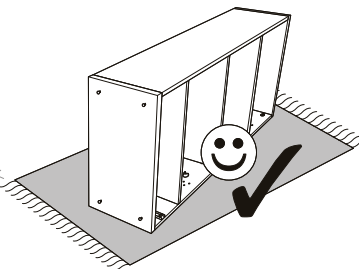
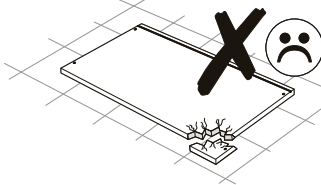
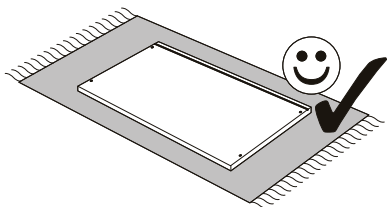
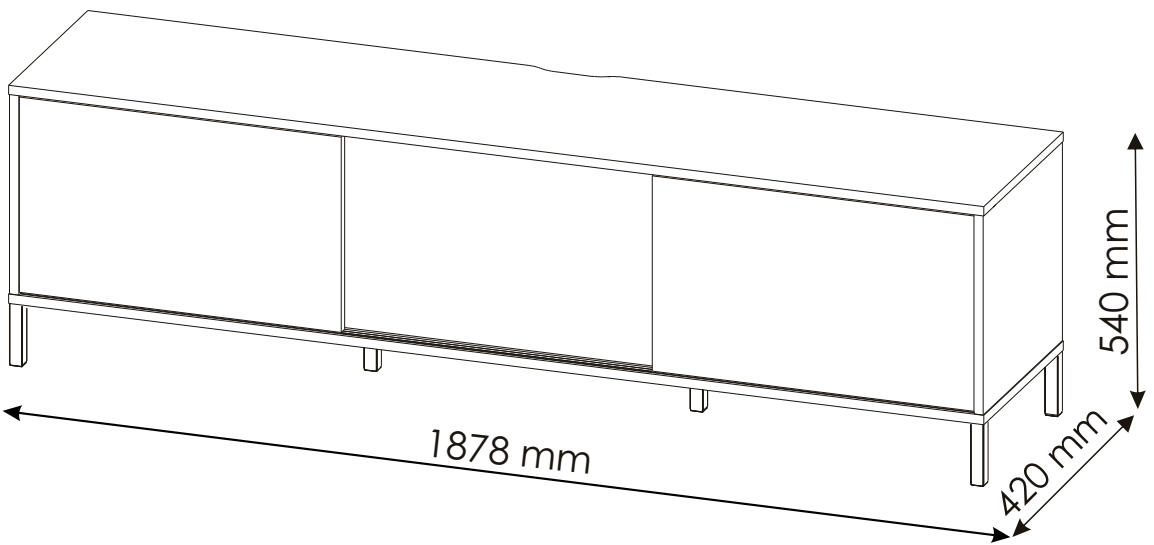










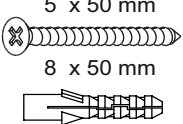

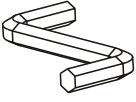
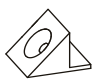
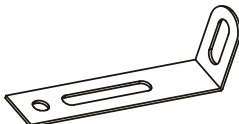
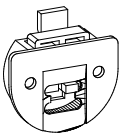
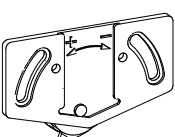
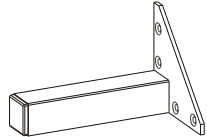
# LIAM Lowboard

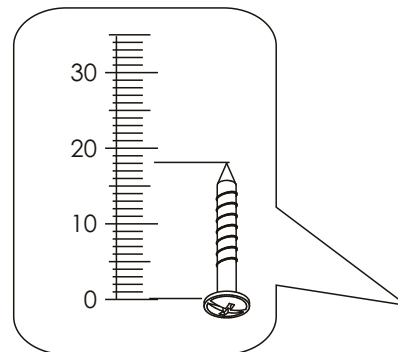
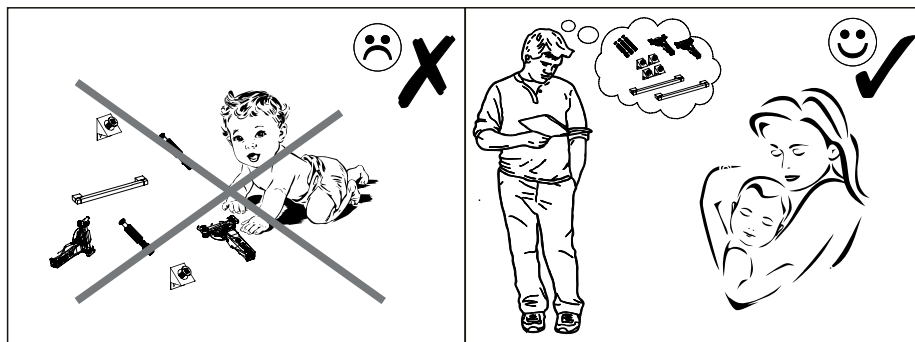
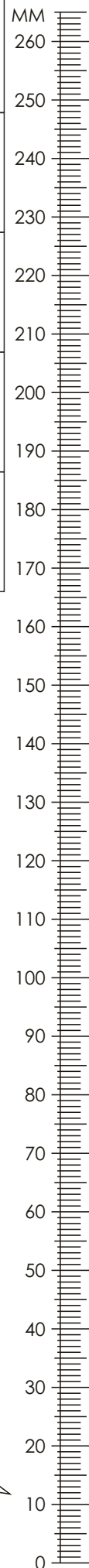
00030098/03




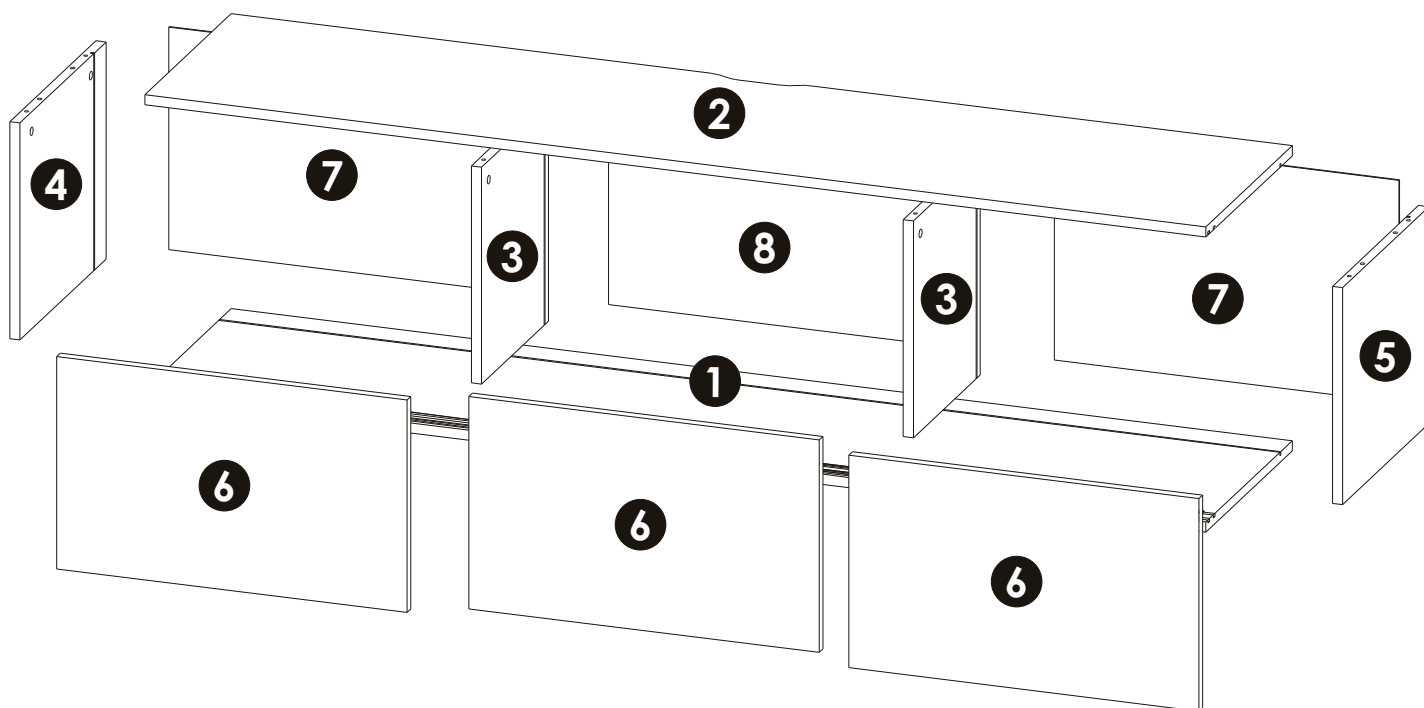
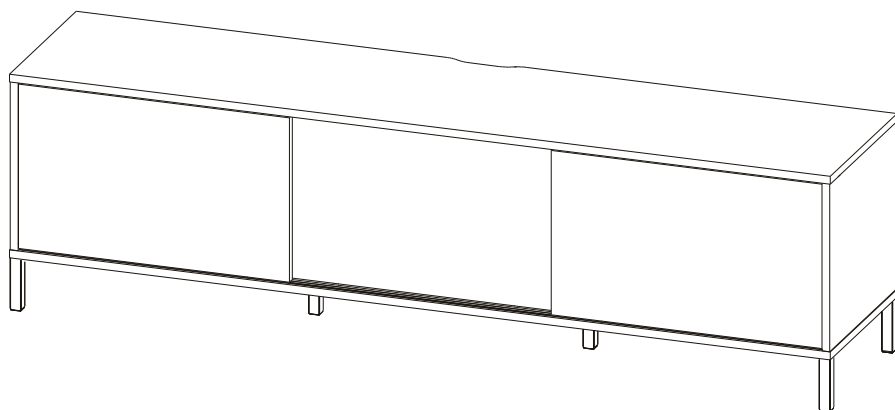
Ø8

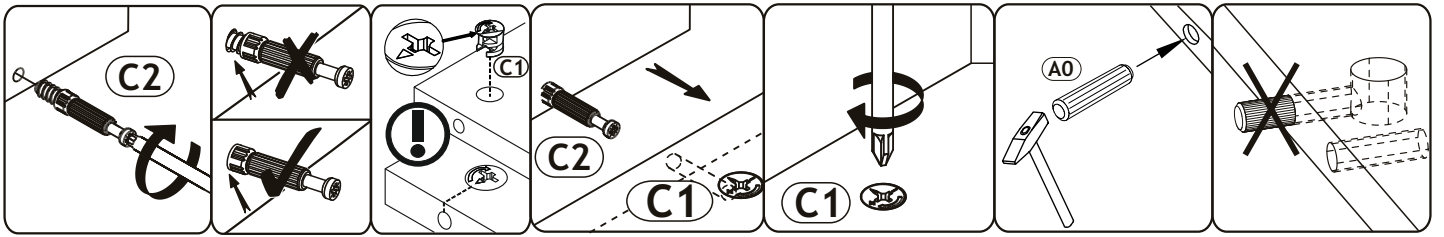


<b>A0</b> 8 x 30mm <b>x16</b> 	<b>B2</b> f 7 x 70 mm <b>x8</b> 	<b>C0</b> <b>x8</b> 
<b>C1</b> 18mm <b>x8</b> 	<b>C2</b> <b>x8</b> 	<b>D0</b> 3 x 15 mm <b>x18</b> 
<b>D4</b> 3,5 x 18 mm <b>x48</b> 	<b>D21</b> 5 x 13 mm <b>x2</b> 	<b>E0</b> 5 x 50 mm 8 x 50 mm <b>x2</b> 
<b>K</b> 4mm <b>x1</b>  	<b>M1</b> <b>x18</b> 	<b>P0</b> <b>x2</b> 
<b>R16</b> <b>x6</b> 	<b>R17</b> <b>x6</b> 	<b>T27</b> <b>x6</b> 



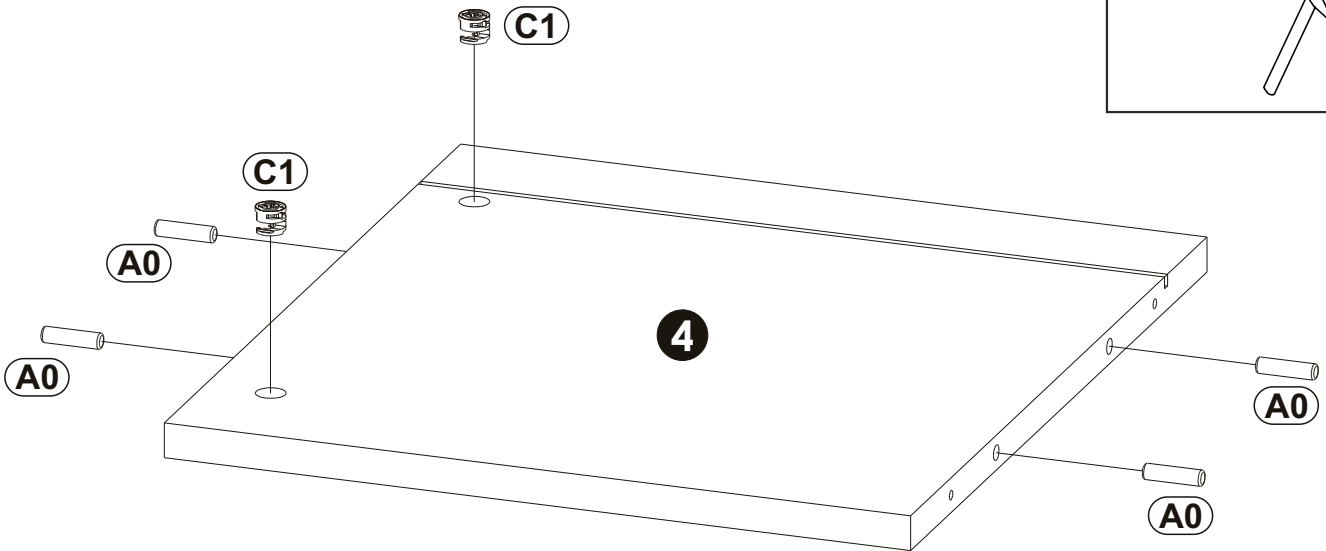
<b>1</b>	1878	420	18	x1	1/3
<b>2</b>	1878	420	18	x1	1/3
<b>3</b>	384	325	18	x2	1/3
<b>4</b>	384	419	18	x1	1/3
<b>5</b>	384	419	18	x1	1/3
<b>6</b>	376	620	18	x3	2/3
<b>7</b>	394	610	3	x2	1/3
<b>8</b>	394	610	3	x1	1/3
					3/3





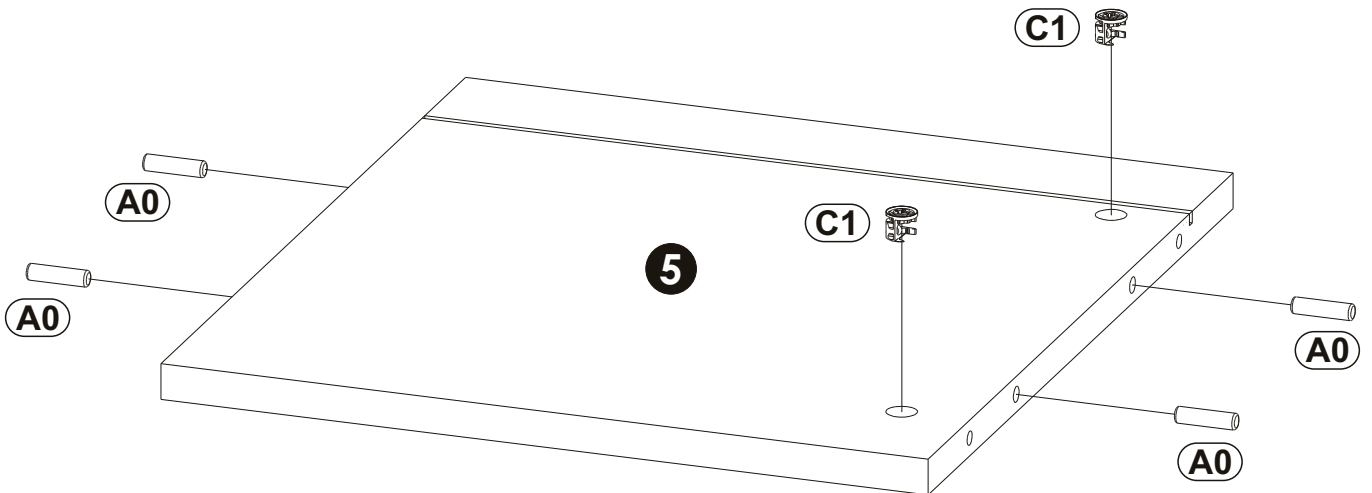
**1**

<b>A0</b>	8 x 30mm	<b>x4</b>	<b>C1</b>	18mm	<b>x2</b>
-----------	----------	-----------	-----------	------	-----------



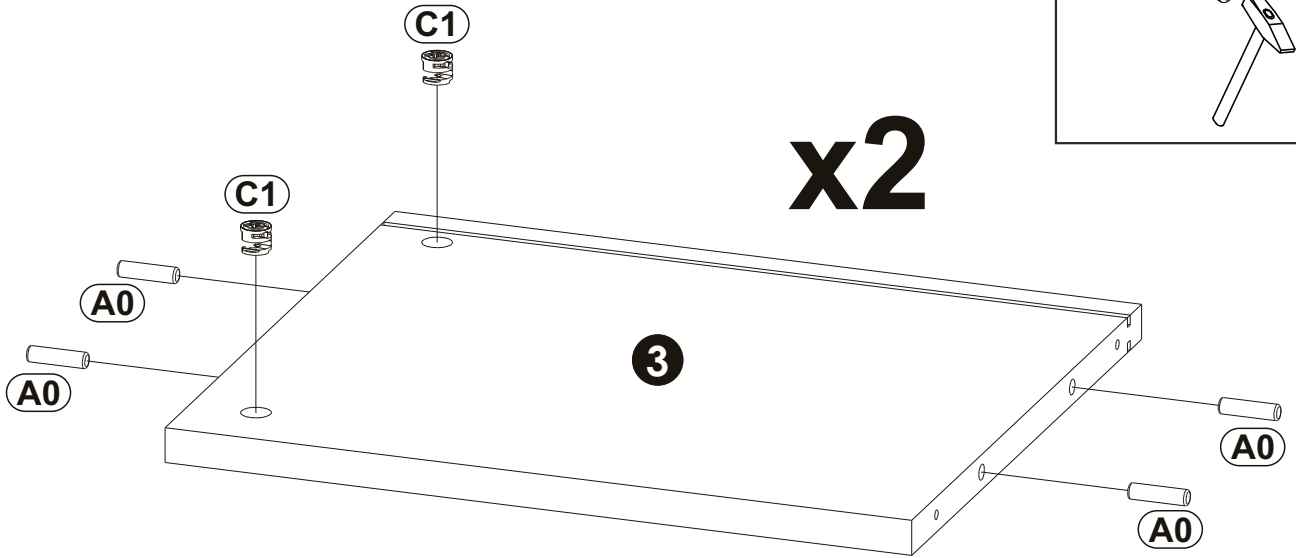
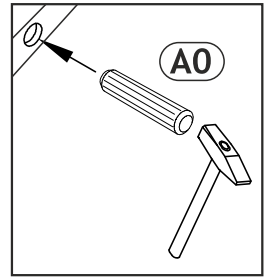
**2**

<b>A0</b>	8 x 30mm	<b>x4</b>	<b>C1</b>	18mm	<b>x2</b>
-----------	----------	-----------	-----------	------	-----------



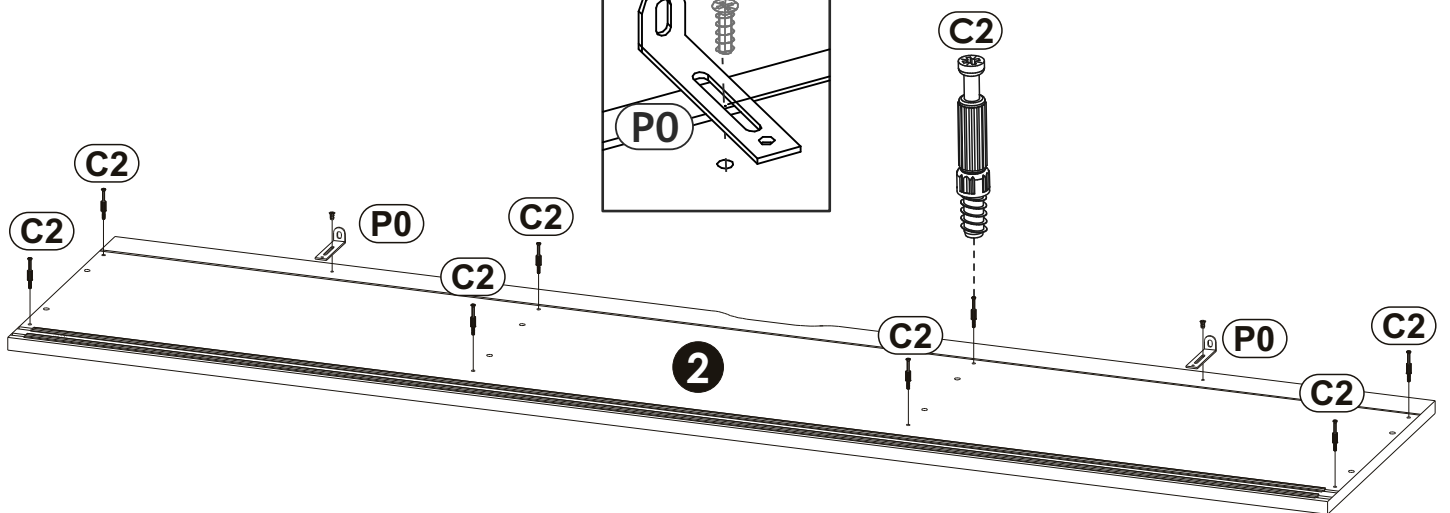
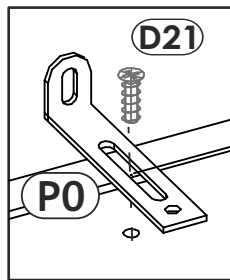
**3**

<b>A0</b>	8 x 30mm	<b>x8</b>	<b>C1</b>	18mm	<b>x4</b>
-----------	----------	-----------	-----------	------	-----------

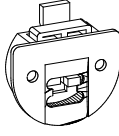
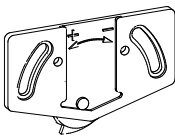


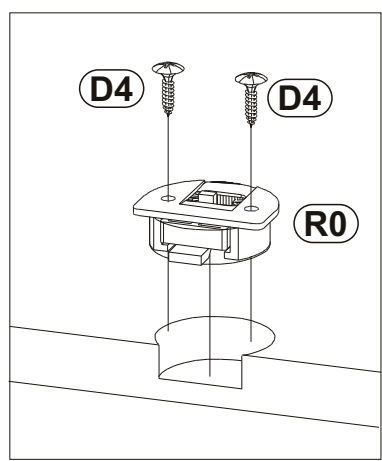
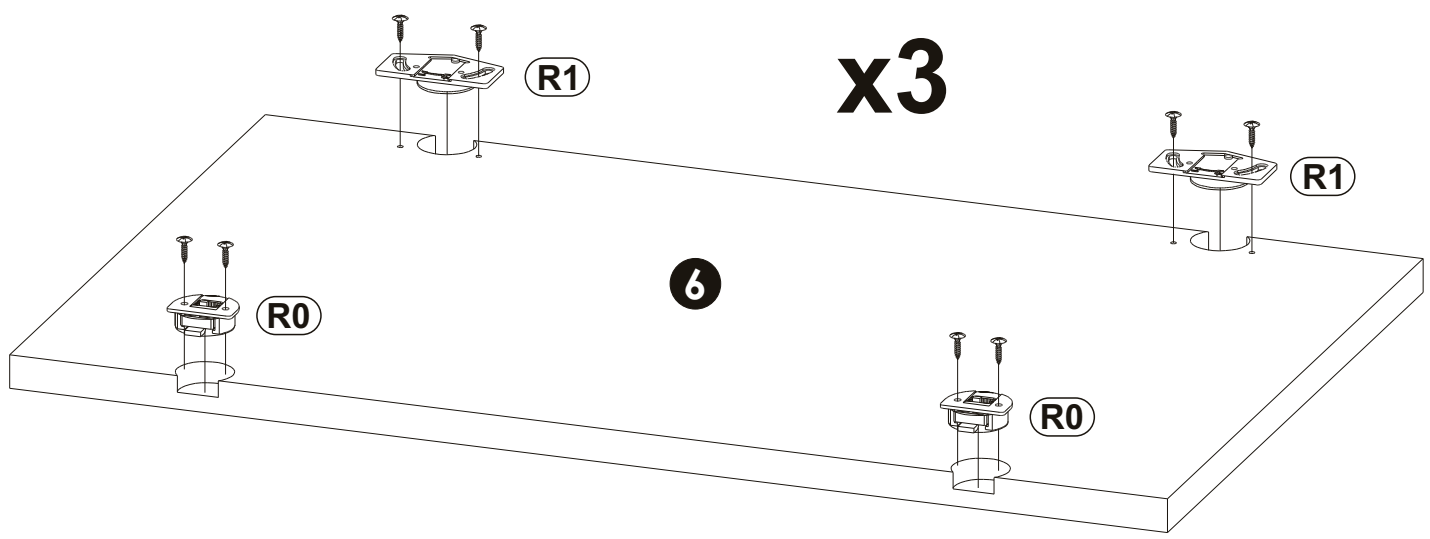
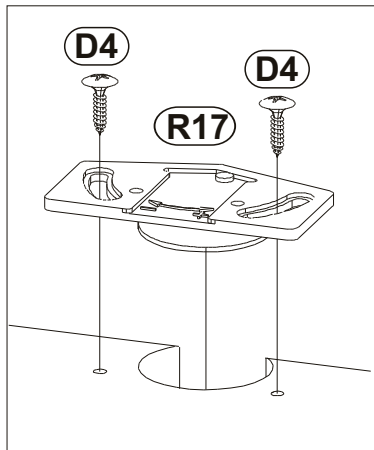
**4**

<b>C2</b>		<b>x8</b>	<b>D21</b>	5 x 13 mm	<b>x2</b>	<b>P0</b>		<b>x2</b>
-----------	--	-----------	------------	-----------	-----------	-----------	--	-----------

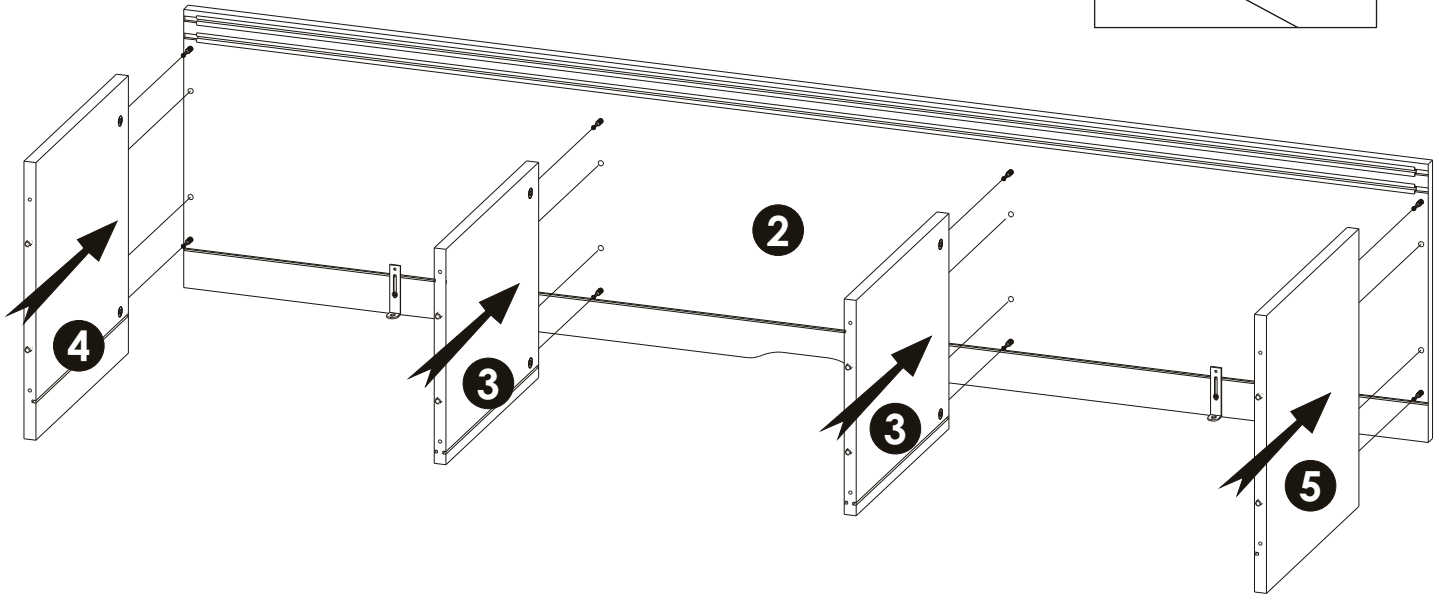
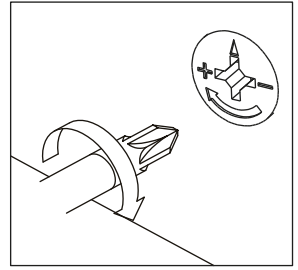


**5**

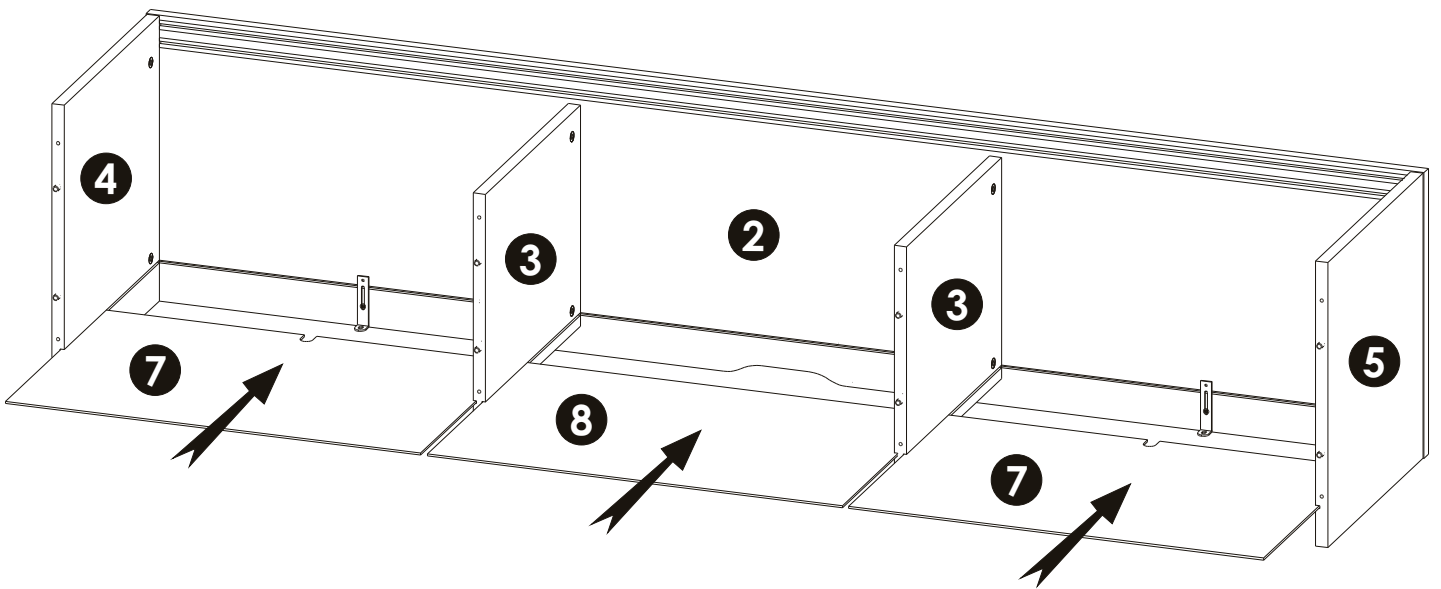
<b>D4</b>	3,5 x 18 mm	<b>x24</b>	<b>R16</b>		<b>x6</b>	<b>R17</b>		<b>x6</b>
-----------	-------------	------------	------------	--	-----------	------------	--	-----------



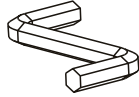
6

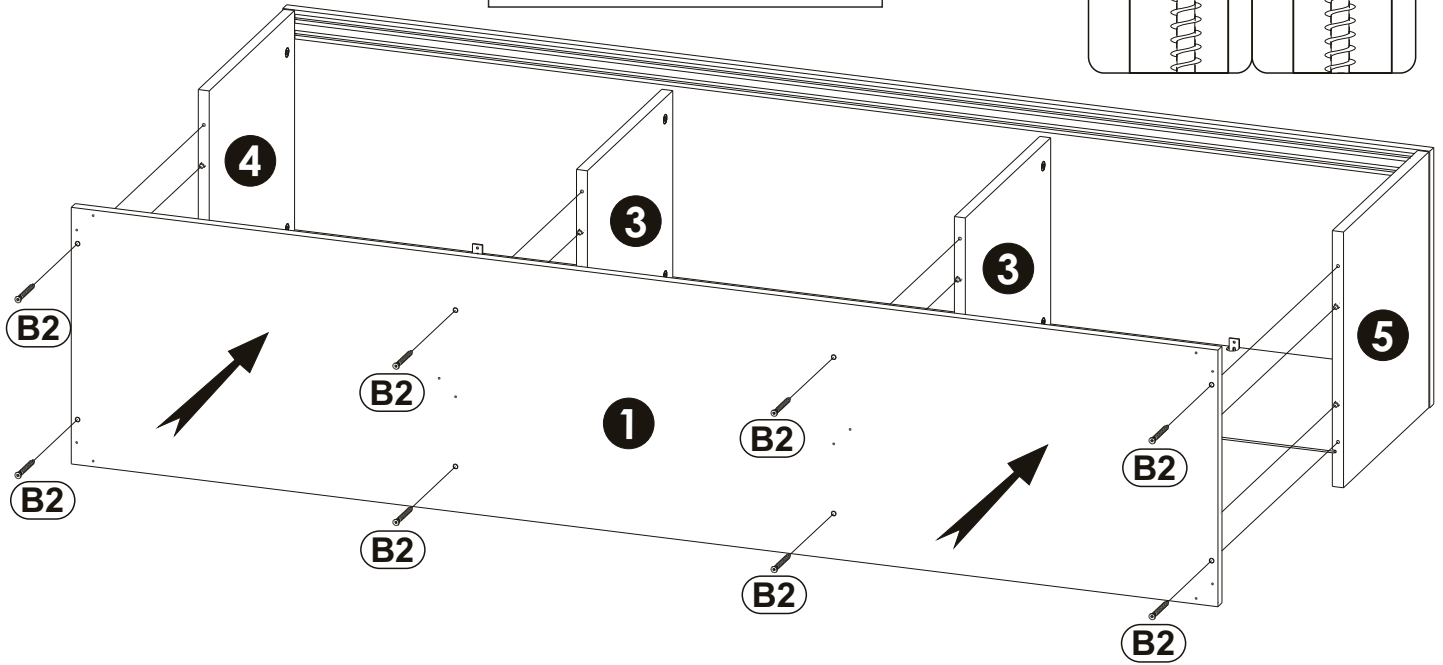
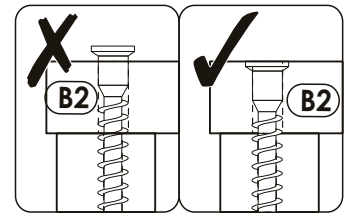
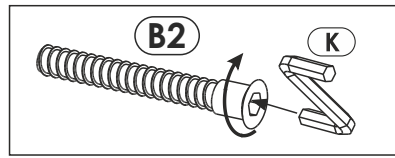


7

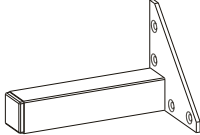


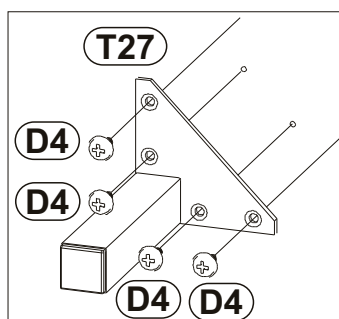
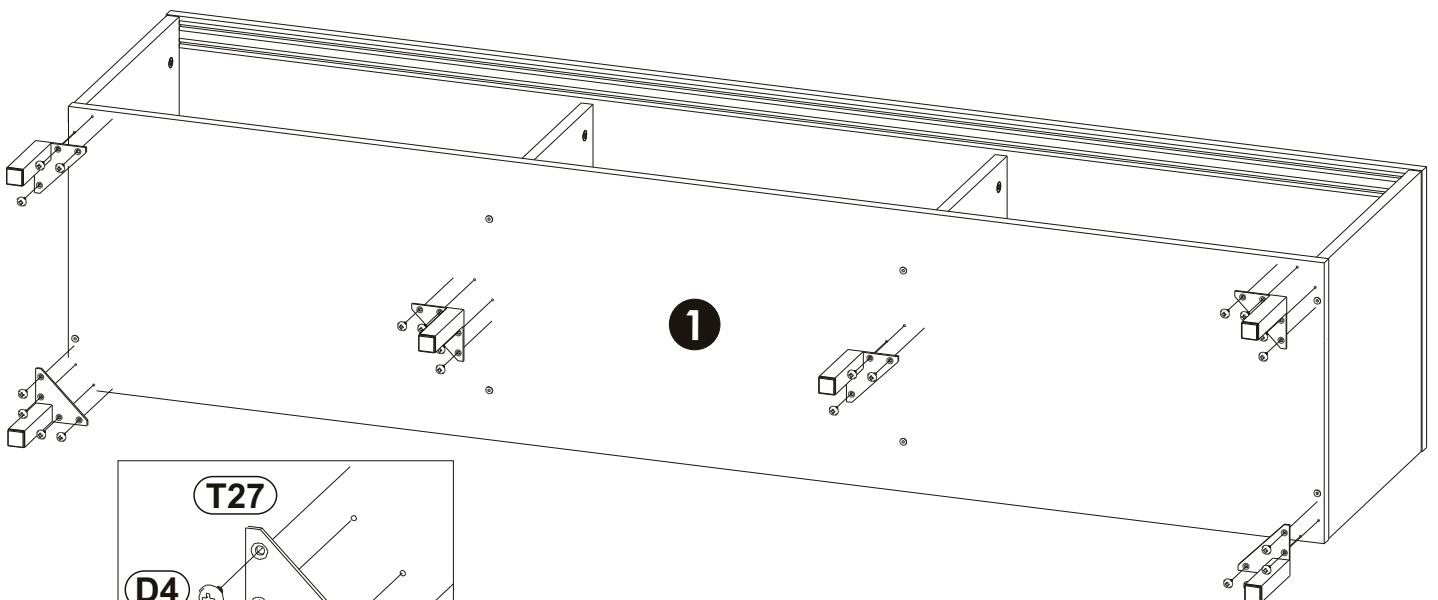
# 8

<b>B2</b>	f 7 x 70 mm	<b>x8</b>	<b>K</b>	4mm		<b>x1</b>
-----------	-------------	-----------	----------	-----	---	-----------




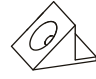
# 9

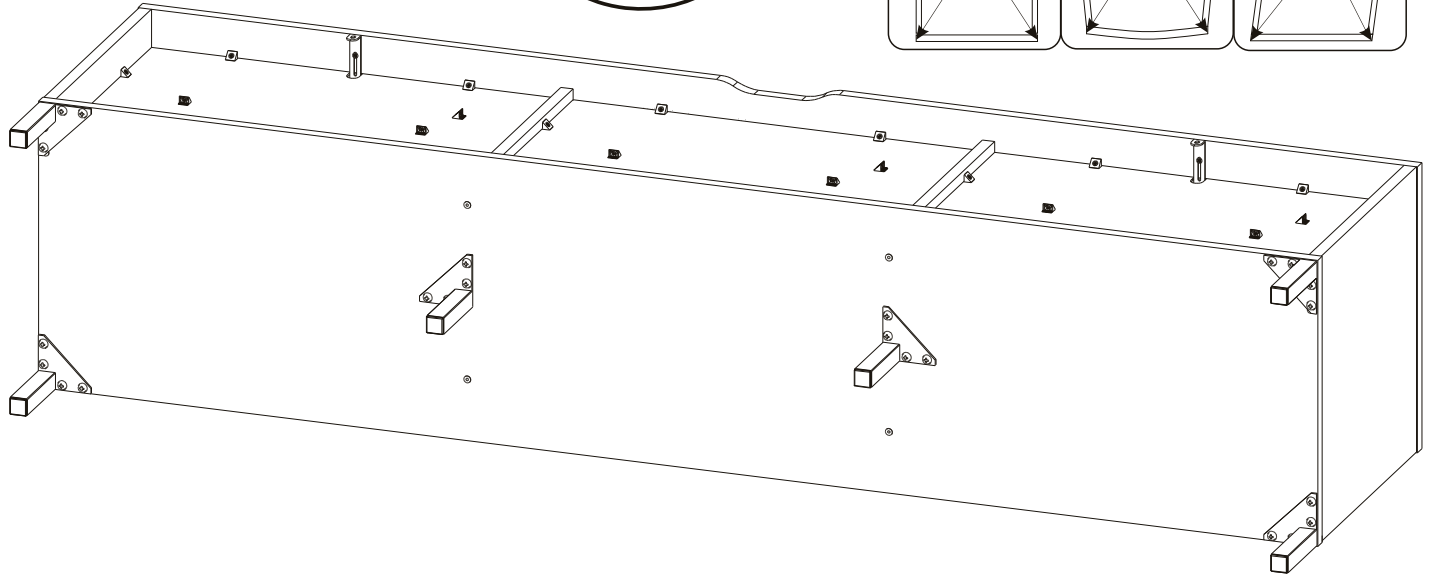
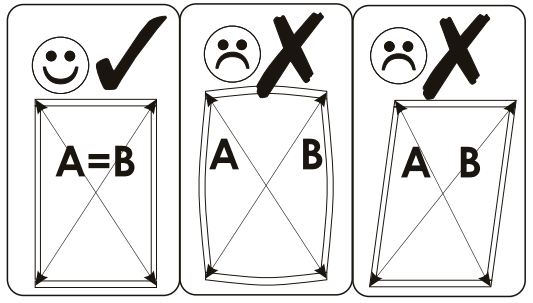
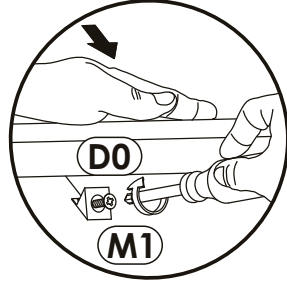
<b>D4</b>	3,5 x 18 mm	<b>x24</b>	<b>T27</b>		<b>x6</b>
-----------	-------------	------------	------------	---	-----------



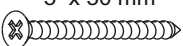
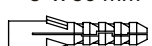


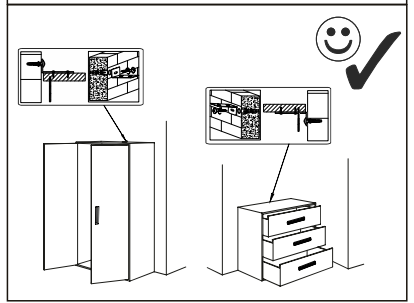
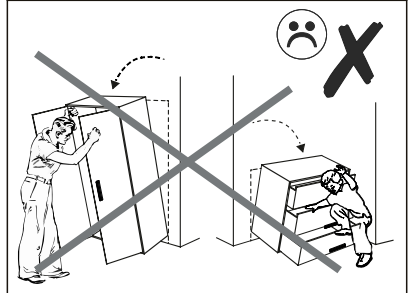
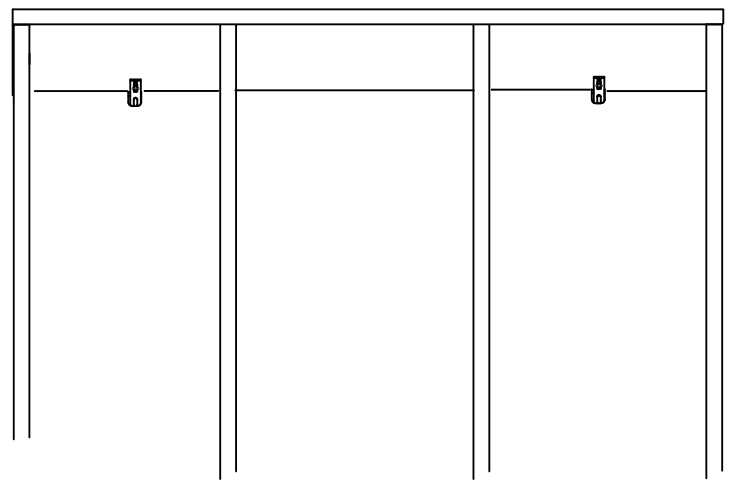
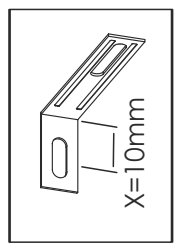
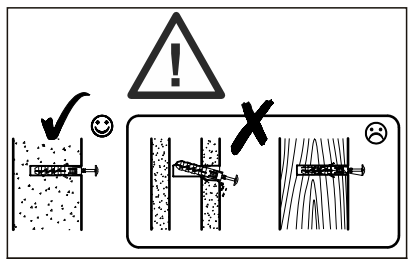
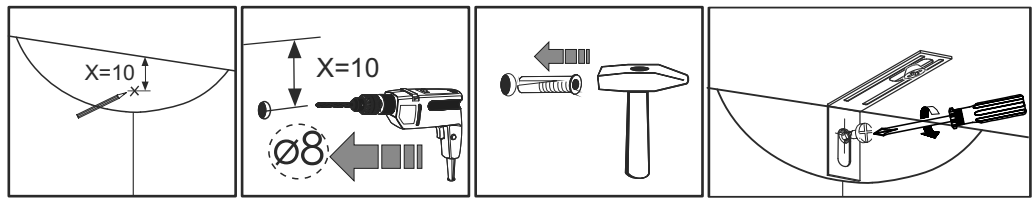
# 10

<b>D0</b>	3 x 15 mm	<b>x18</b>	<b>M1</b>		<b>x18</b>
					

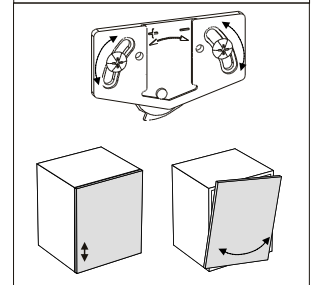
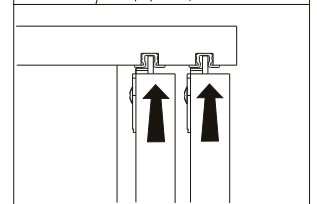
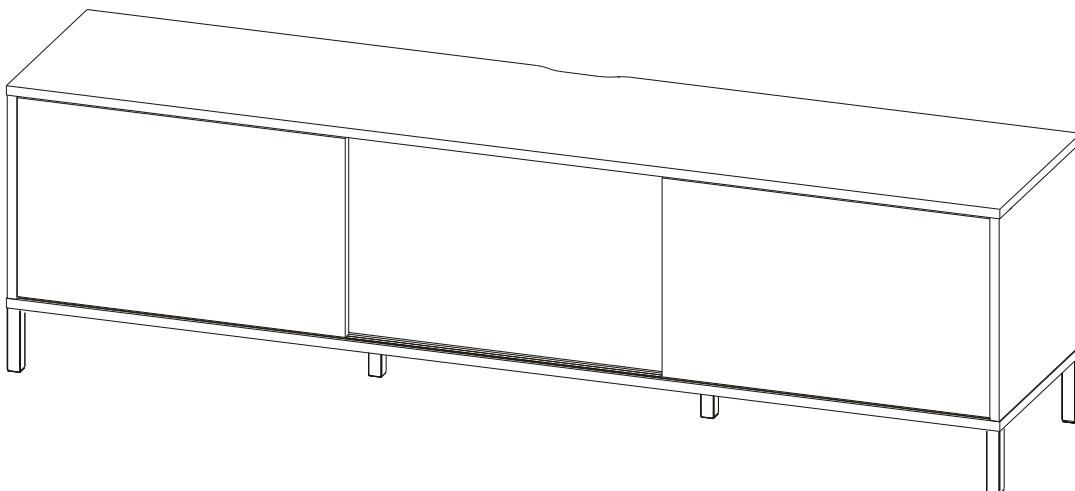
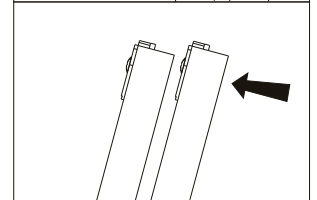
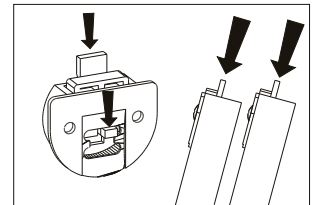
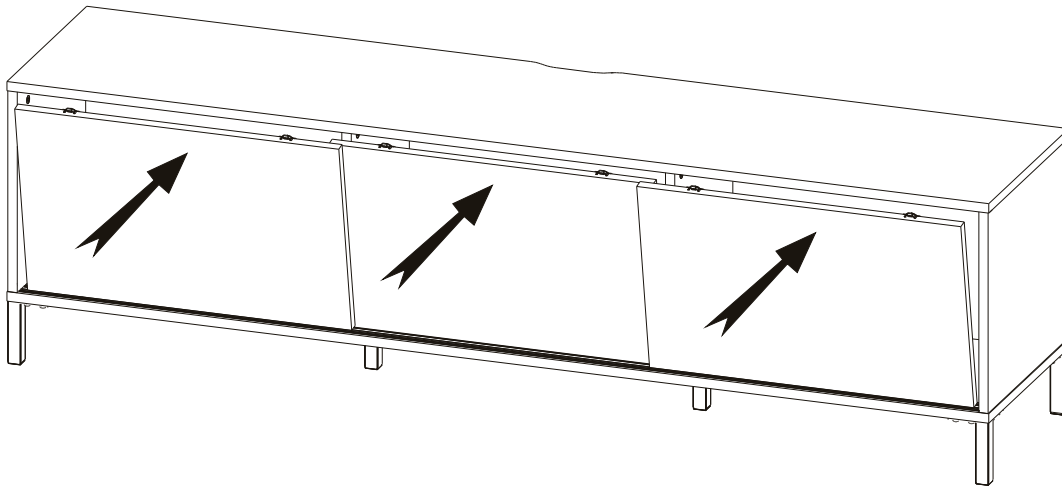
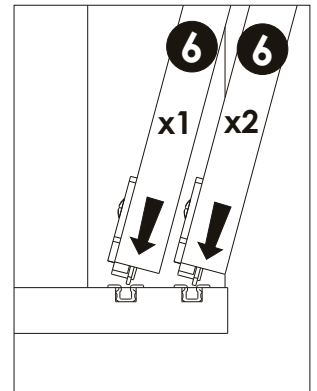
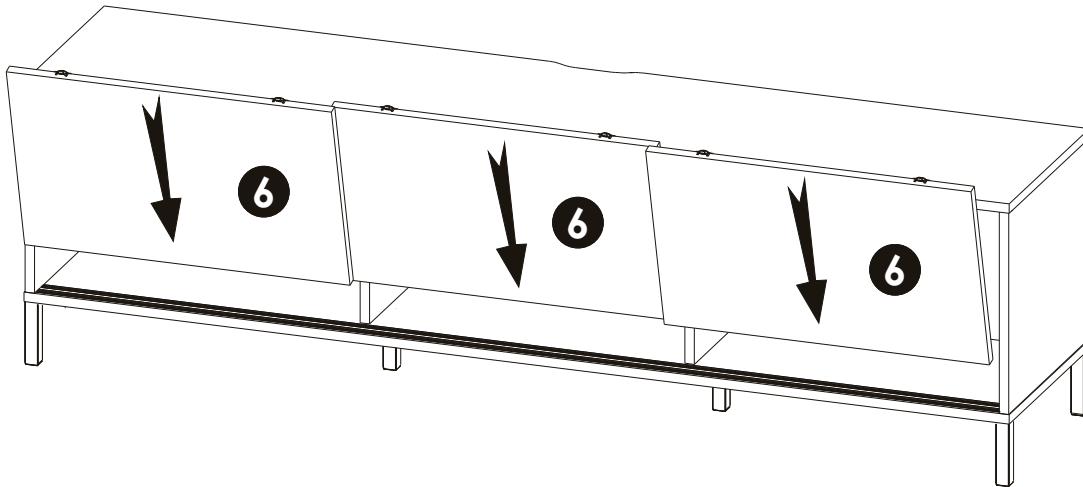


# 11

<b>E0</b>	5 x 50 mm	<b>x2</b>
		
	8 x 50 mm	
		



# 12



# 13

