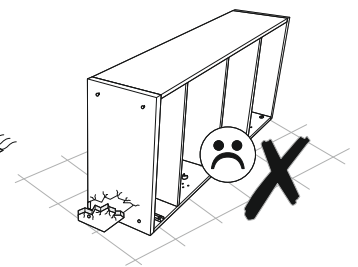
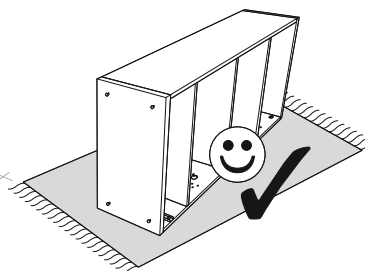
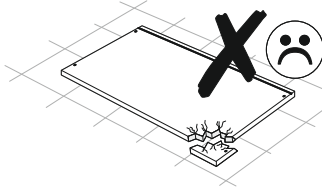
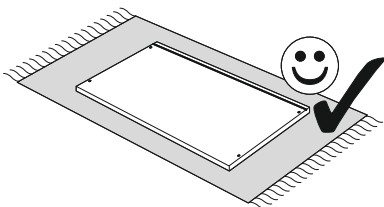
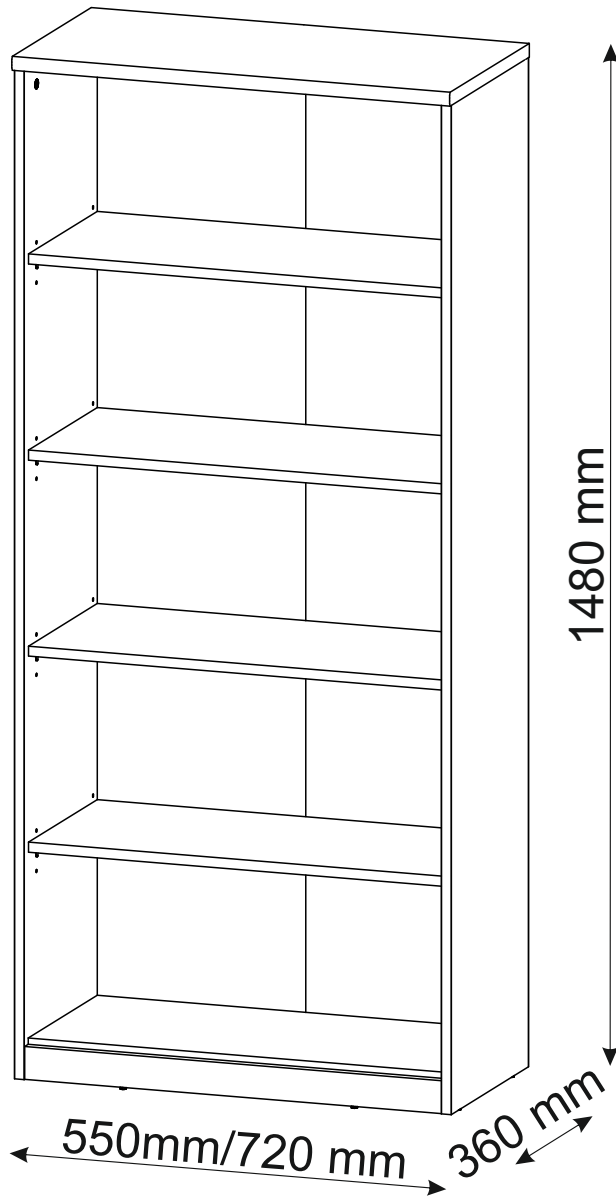
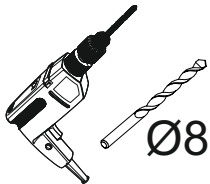
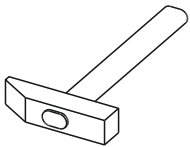
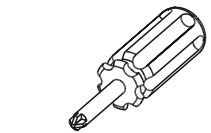
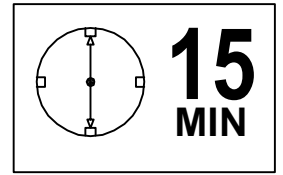
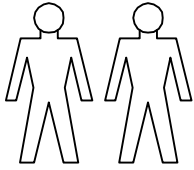







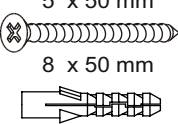

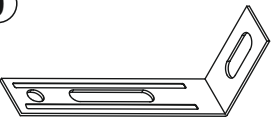
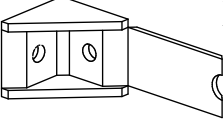
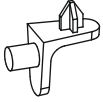
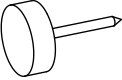


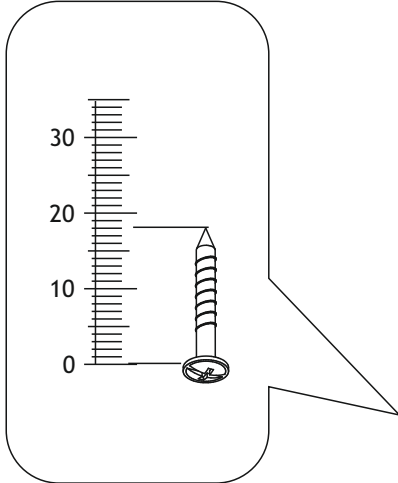
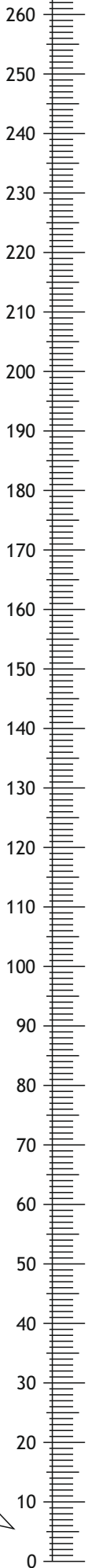
EASY TYP 205 / 206



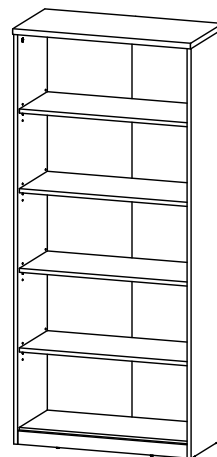
EASY TYP 205 / 206

MM

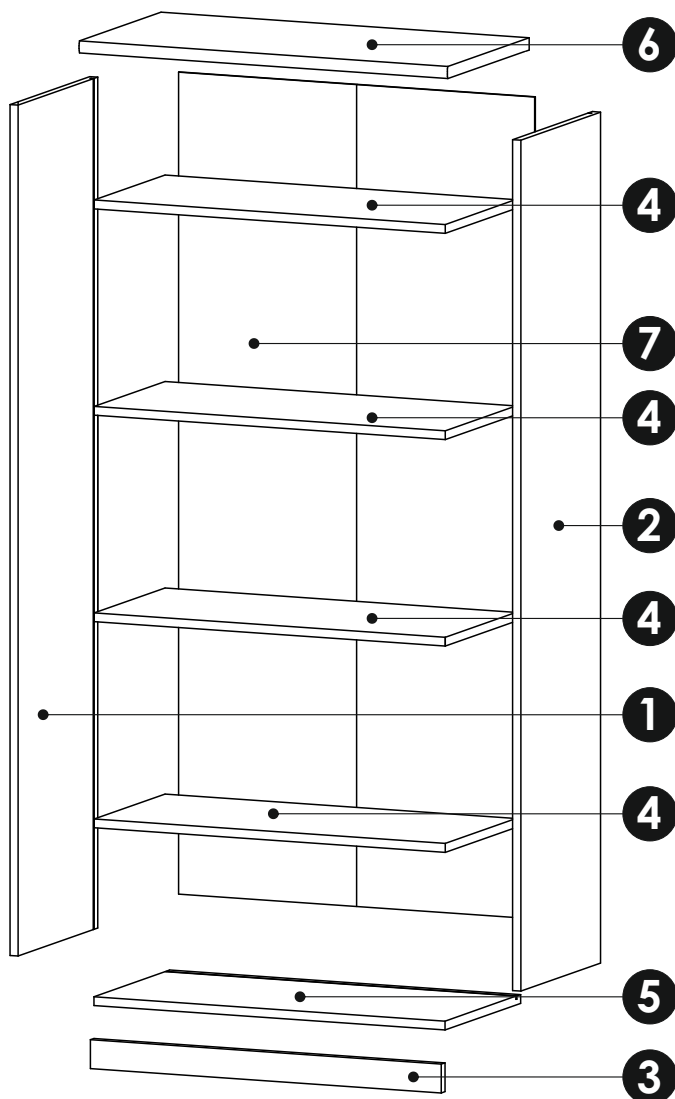
<p>A0 8 x 30mm x10</p> 	<p>C0 x4</p> 	<p>C2 x8</p> 
<p>C7 x8</p>  <p>16mm</p>	<p>D0 3 x 15 mm x12</p> 	<p>D5 3,5 x 16 mm x8</p> 
<p>D21 5 x 13 mm x1</p> 	<p>E0 5 x 50 mm x1 8 x 50 mm</p> 	<p>M1 x12</p> 
<p>P0 x1</p> 	<p>P20 x4</p> 	<p>Q3 x16</p> 
<p>T3 x6</p> 		




EASY TYP 205 / 206




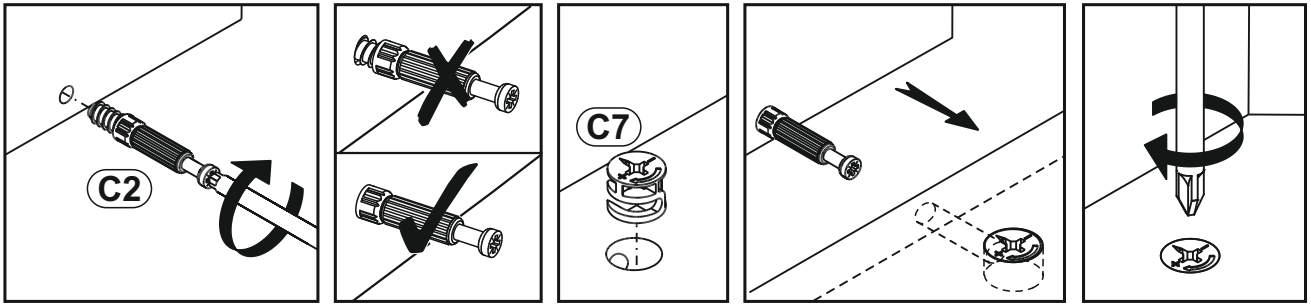
TYP 205



1	1452	350	16	x1	1/1
2	1452	350	16	x1	1/1
3	516	52	16	x1	1/1
4	516	310	16	x4	1/1
5	516	332	16	x1	1/1
6	550	360	22	x1	1/1
7	1400	526	2,8	x1	1/1
					1/1

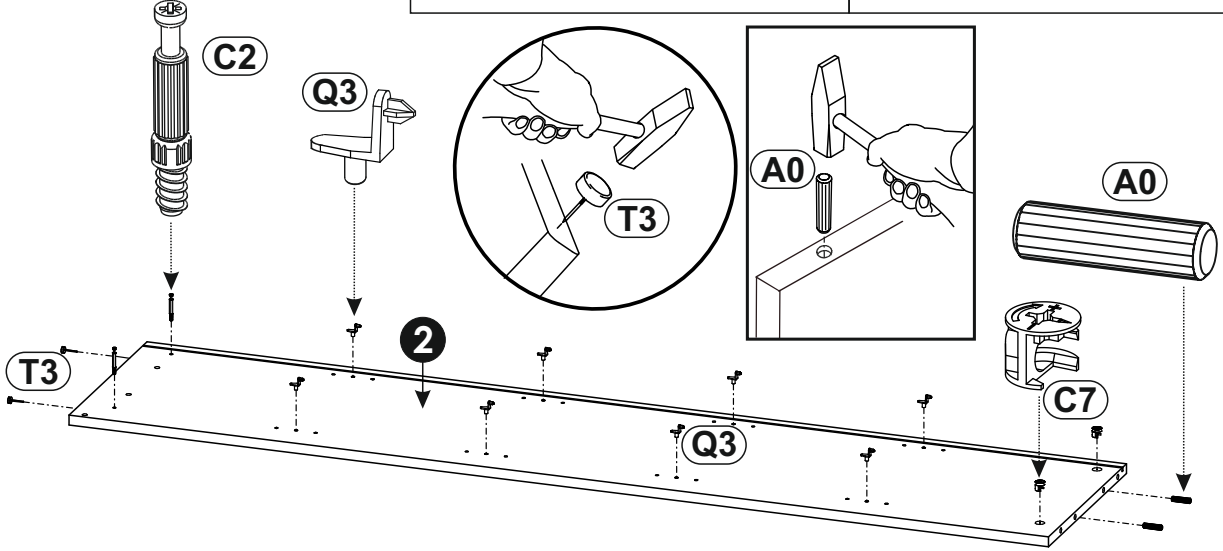
TYP 206

1	1452	350	16	x1	1/2
2	1452	350	16	x1	1/2
3	686	52	16	x1	2/2
4	686	310	16	x4	2/2
5	686	332	16	x1	2/2
6	720	360	22	x1	2/2
7	1400	696	2,8	x1	1/2
					2/2



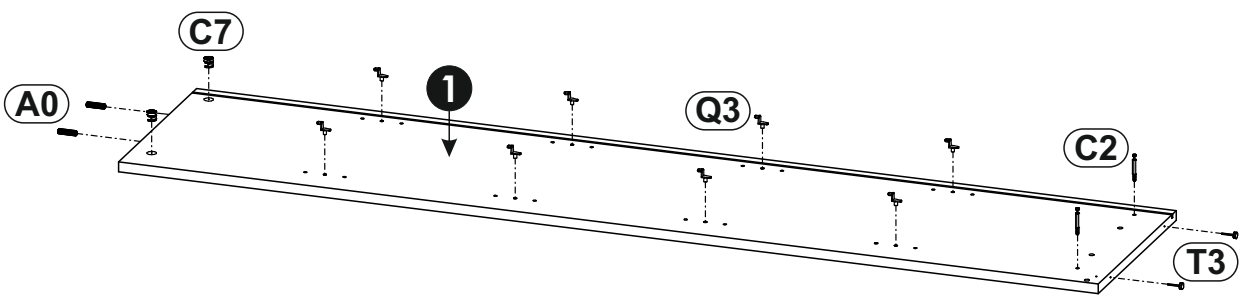
1 ▶

A0 8 x 30mm x2	C2 x2	C7 16mm x2
	Q3 x8	T3 x2



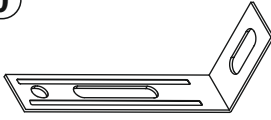


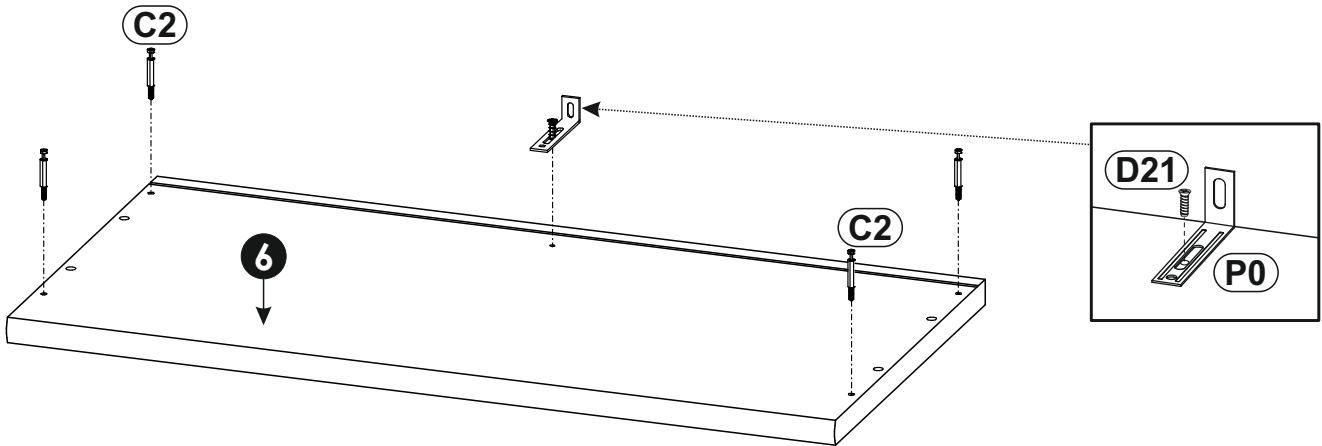
2 ▶

A0 8 x 30mm x2	C2 x2	C7 16mm x2
	Q3 x8	T3 x2


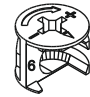


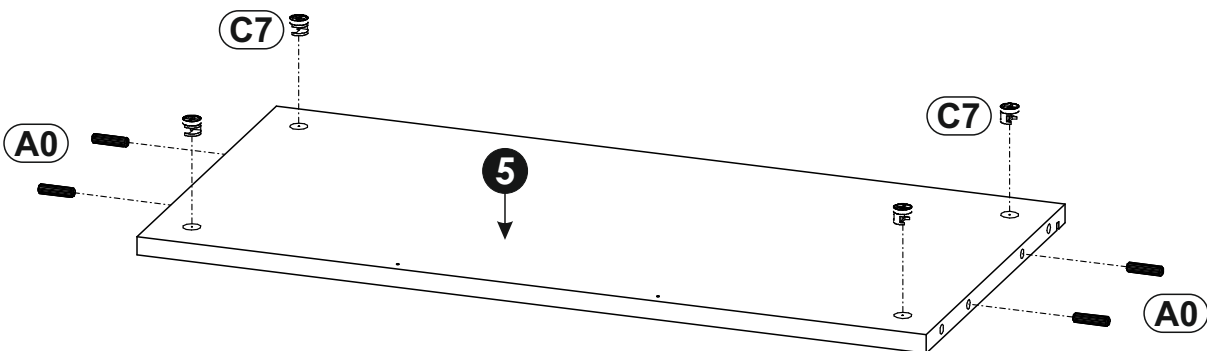
3 ▶

(C2)  x4	(D21) 5 x 13 mm  x1	(P0)  x1
---	---	---


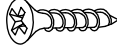
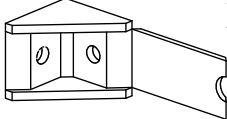
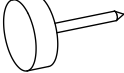


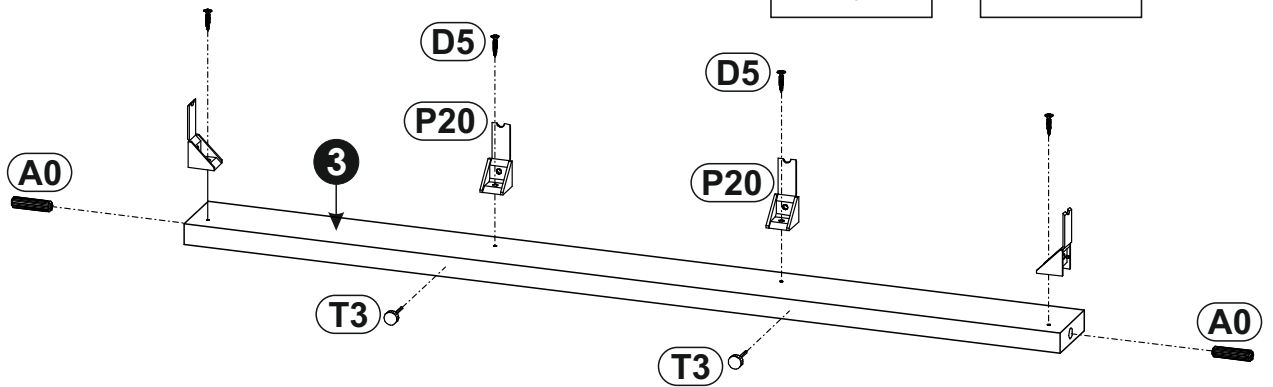
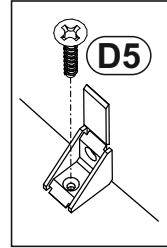
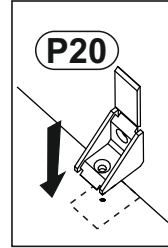
4 ▶

(A0) 8 x 30mm  x4	(C7) 16mm  x4
---	---




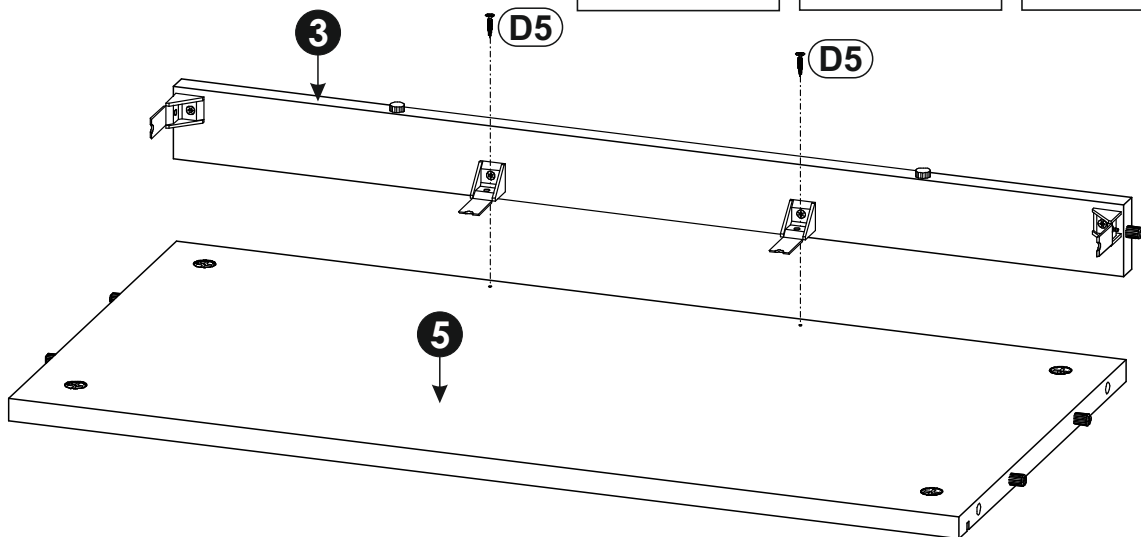
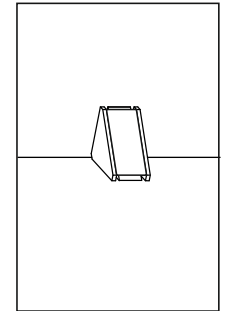
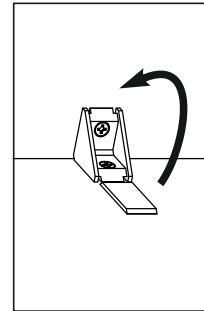
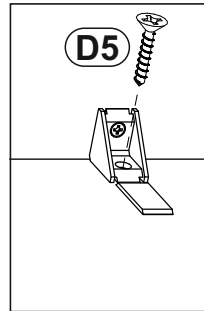
5 ▶

<p>(A0) 8 x 30mm x2</p> 	<p>(D5) 3,5 x 16 mm x4</p> 	<p>(P20) x4</p> 
<p>(T3) x2</p> 		

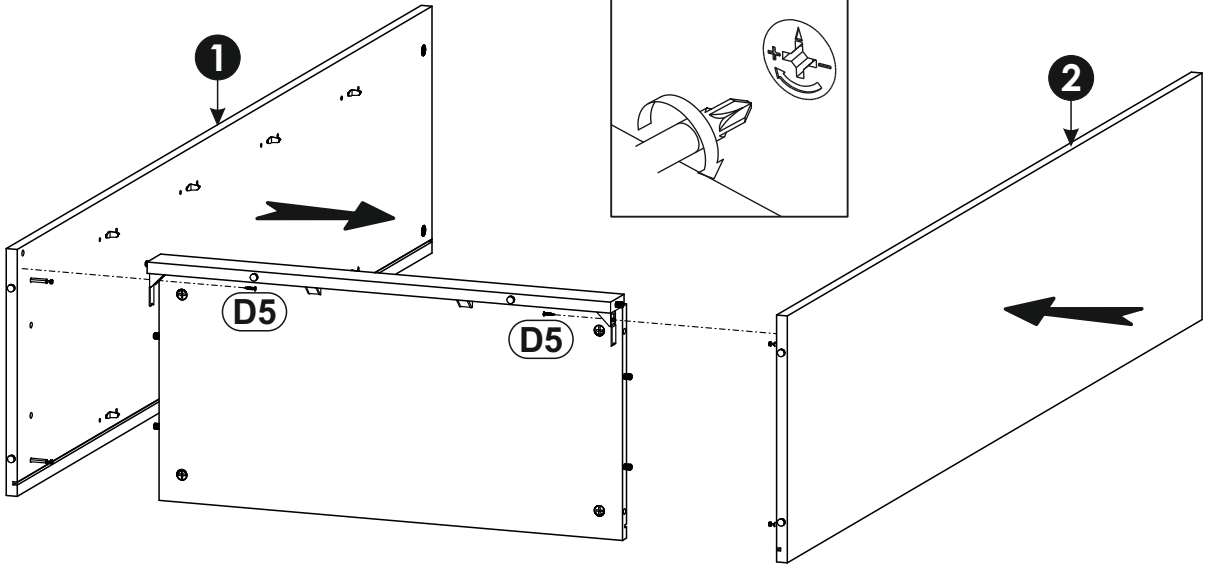
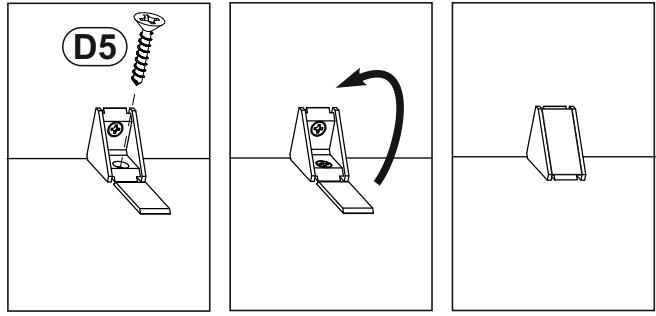
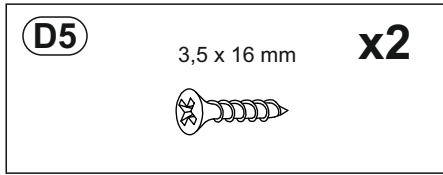


6 ▶

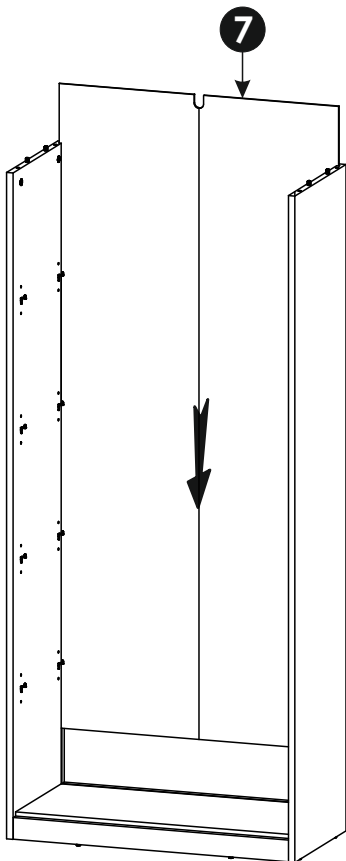
<p>(D5) 3,5 x 16 mm x2</p> 
--



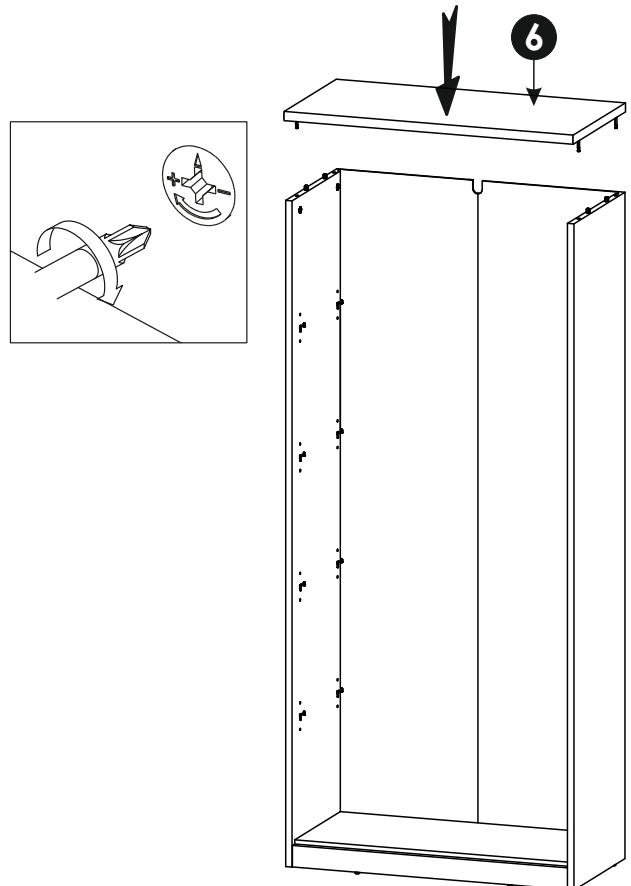
7 ▶



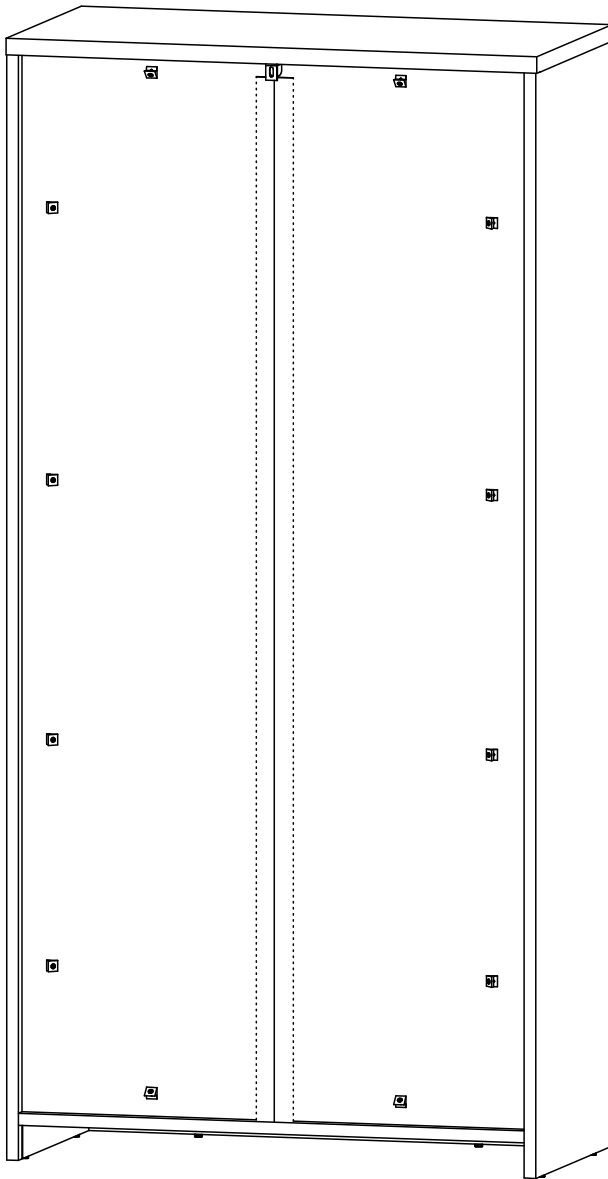
8 ▶



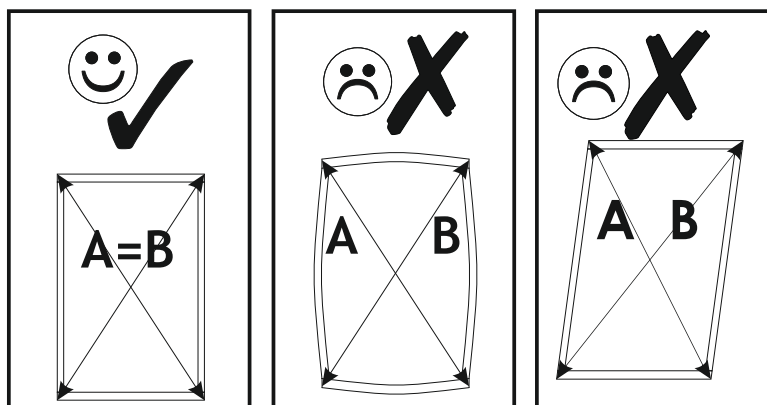
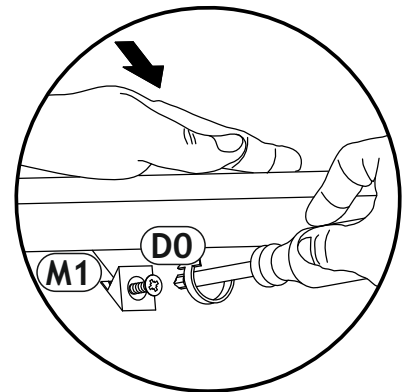
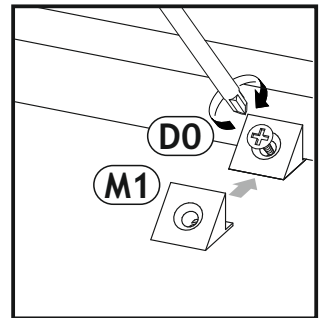
9 ▶



10 ▶

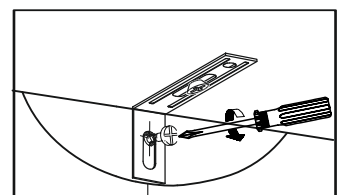
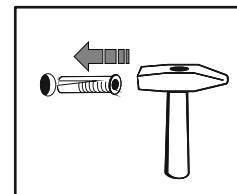
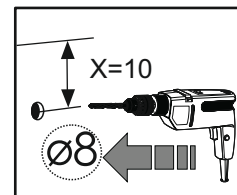
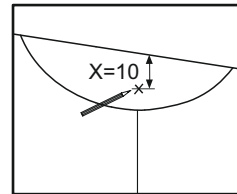
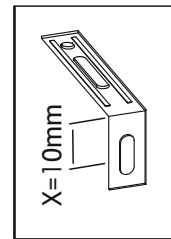
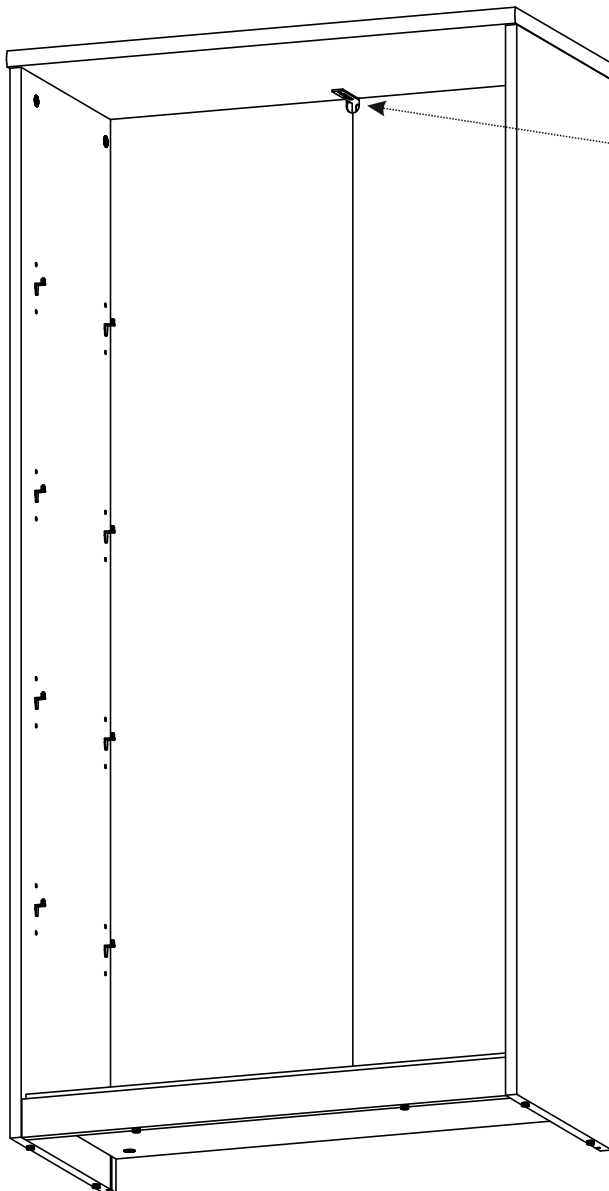
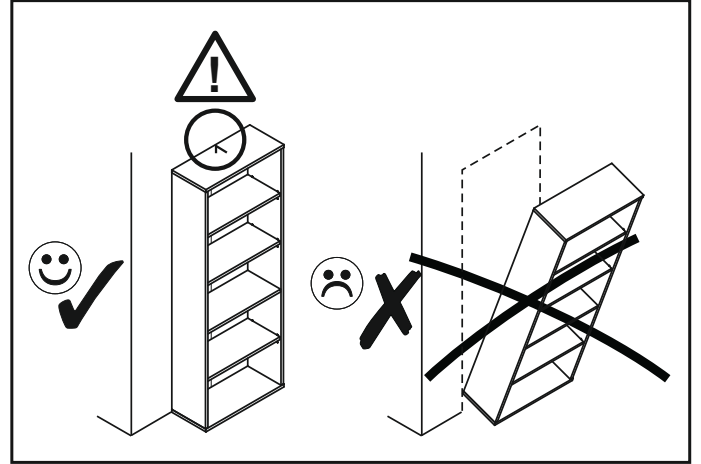
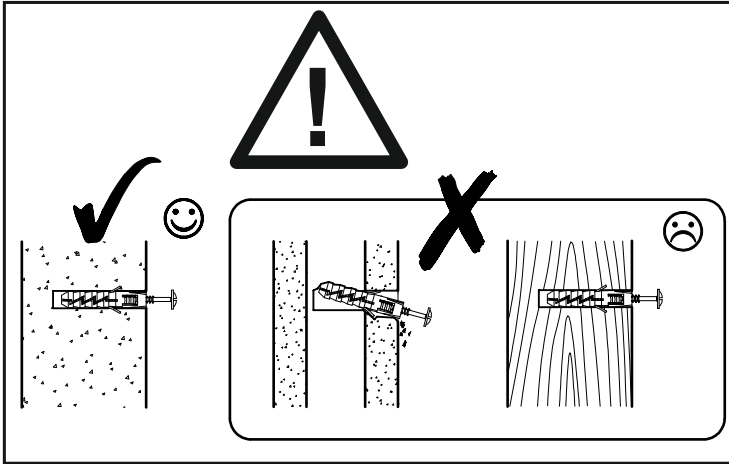


D0	3 x 15 mm	x12
M1		x12



11 ▶

E0 5 x 50 mm **x1**
8 x 50 mm



12 ▶

