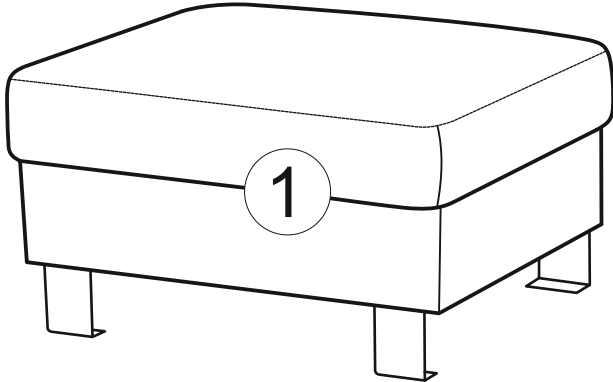
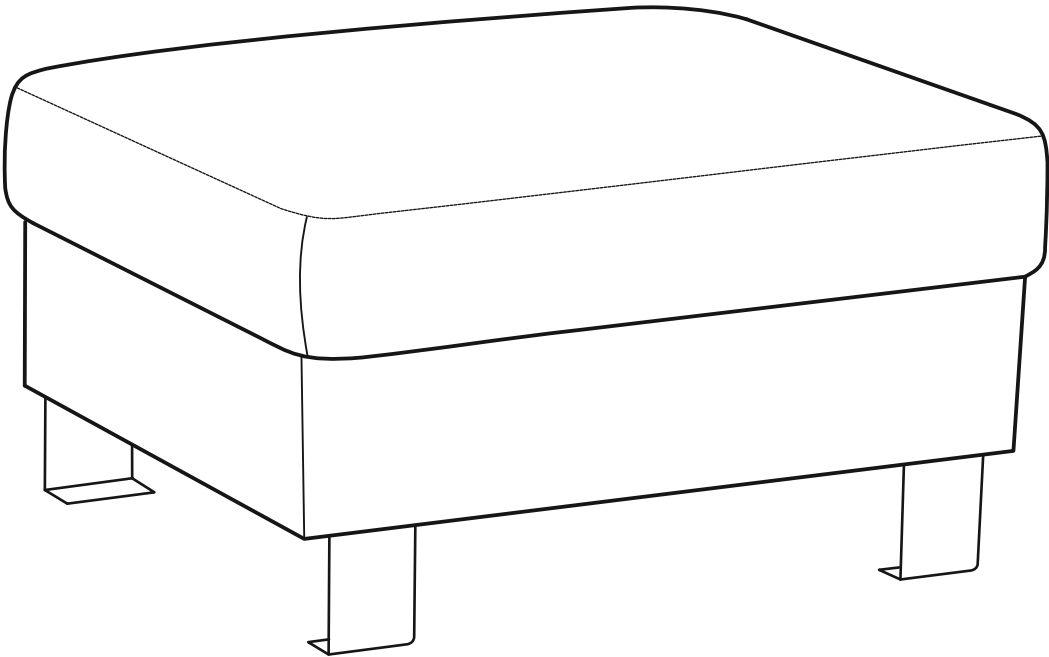
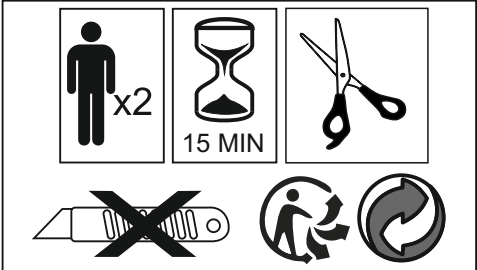
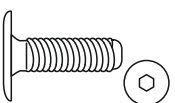
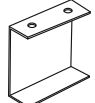
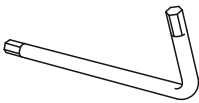


TIM
HOCKER
21-03/2019



A  M6x20 Ax8	B  Bx4	C  Cx1
---	--	--

1

