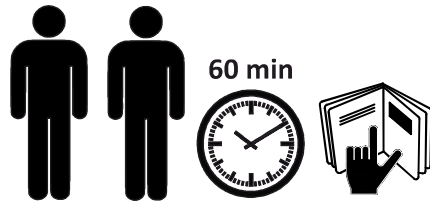
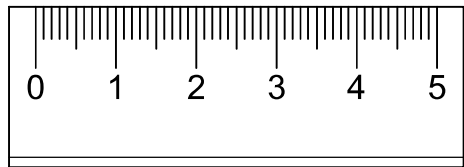
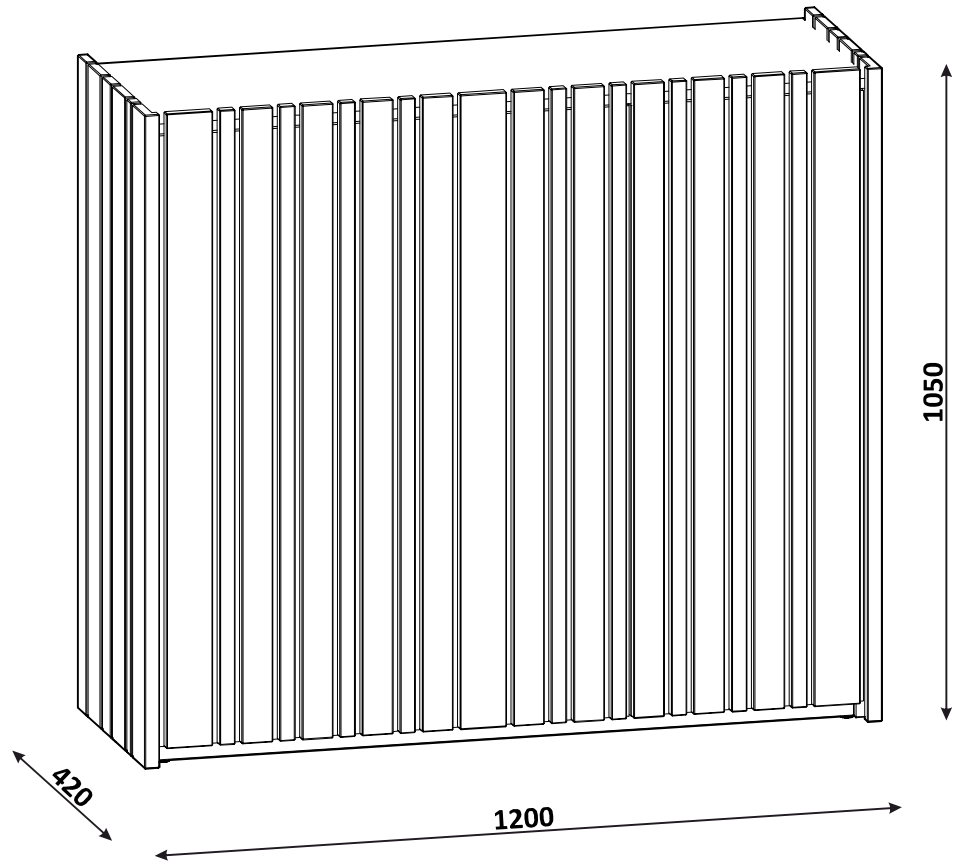
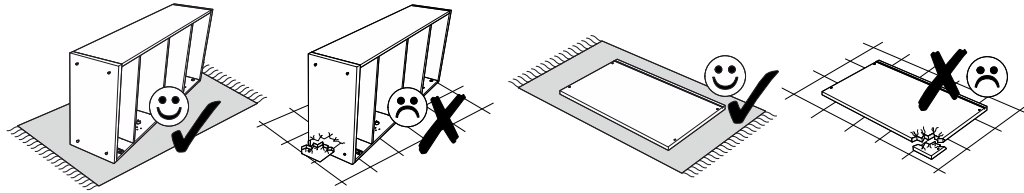
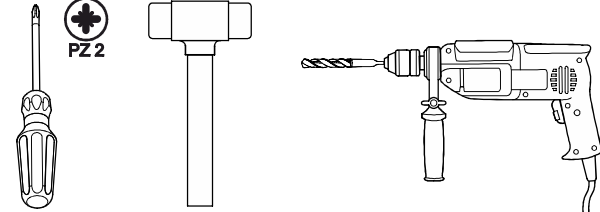
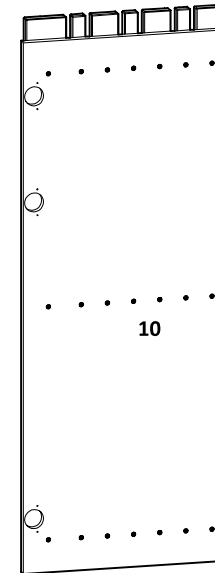
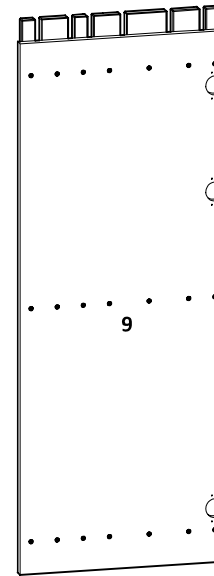
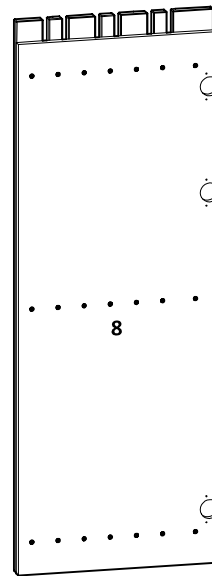
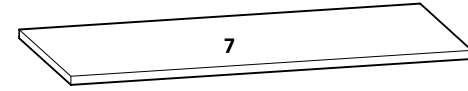
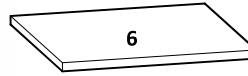
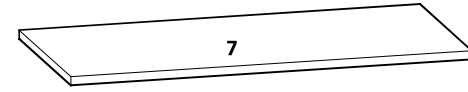
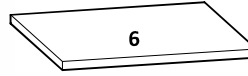
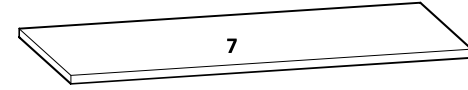
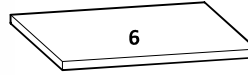
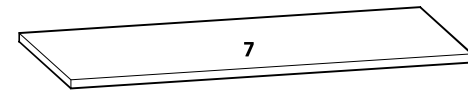
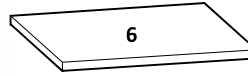
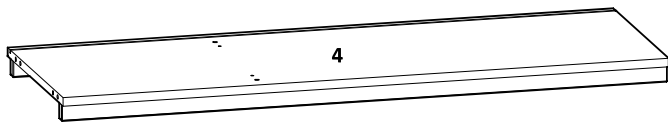
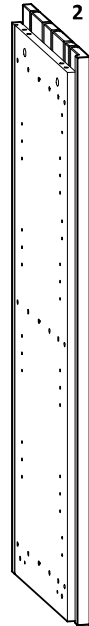
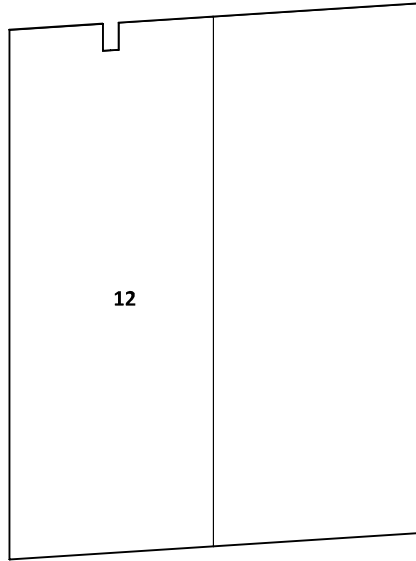
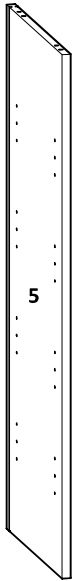
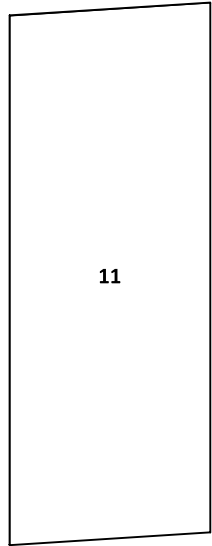
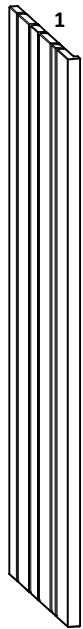
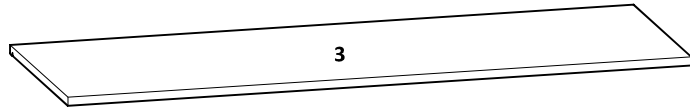
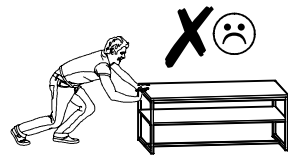
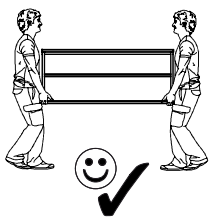


SIGNE Schuhschrank 3T
27480130/05



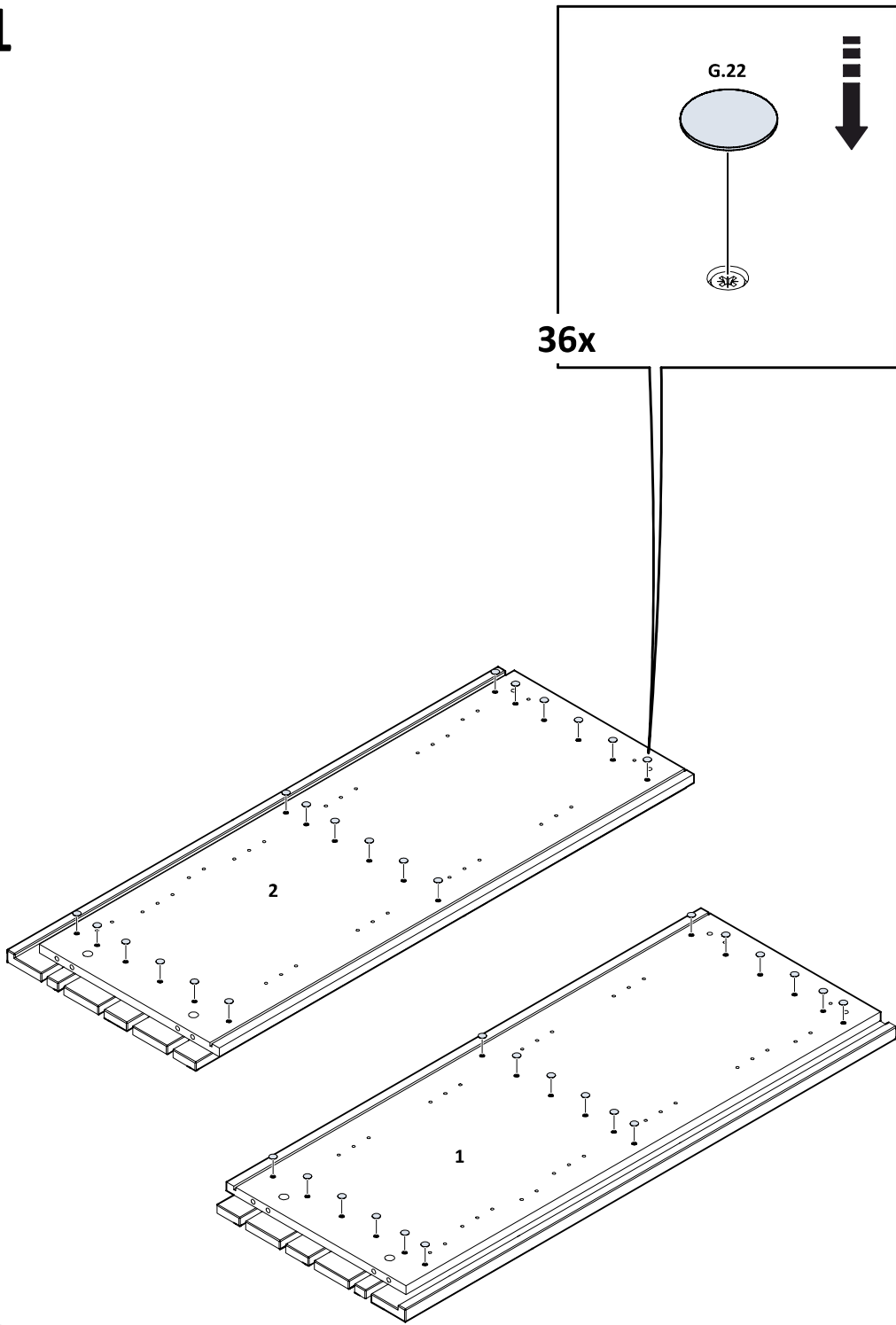
A.1	x32	A.20	x1	A.25	x1
	$\varnothing 3,5 \times 16$		$\varnothing 4,2 \times 16$		$\varnothing 4,2 \times 51$
A.26	x18	A.28	x1	B.1	x12
	$\varnothing 6,3 \times 13$		$\varnothing 8 \times 50$		Minifix
B.9	x12	B.25	x32	B.28	x14
	$\varnothing 8 \times 30$				
B.38	x12	G.1	x1	G.3	x1
	Minifix $\varnothing 15 \times 12$				$\varnothing 20$
G.13	x1	G.22	x99	F.1	x1
	LINEA NATURA				
D.27			x9		





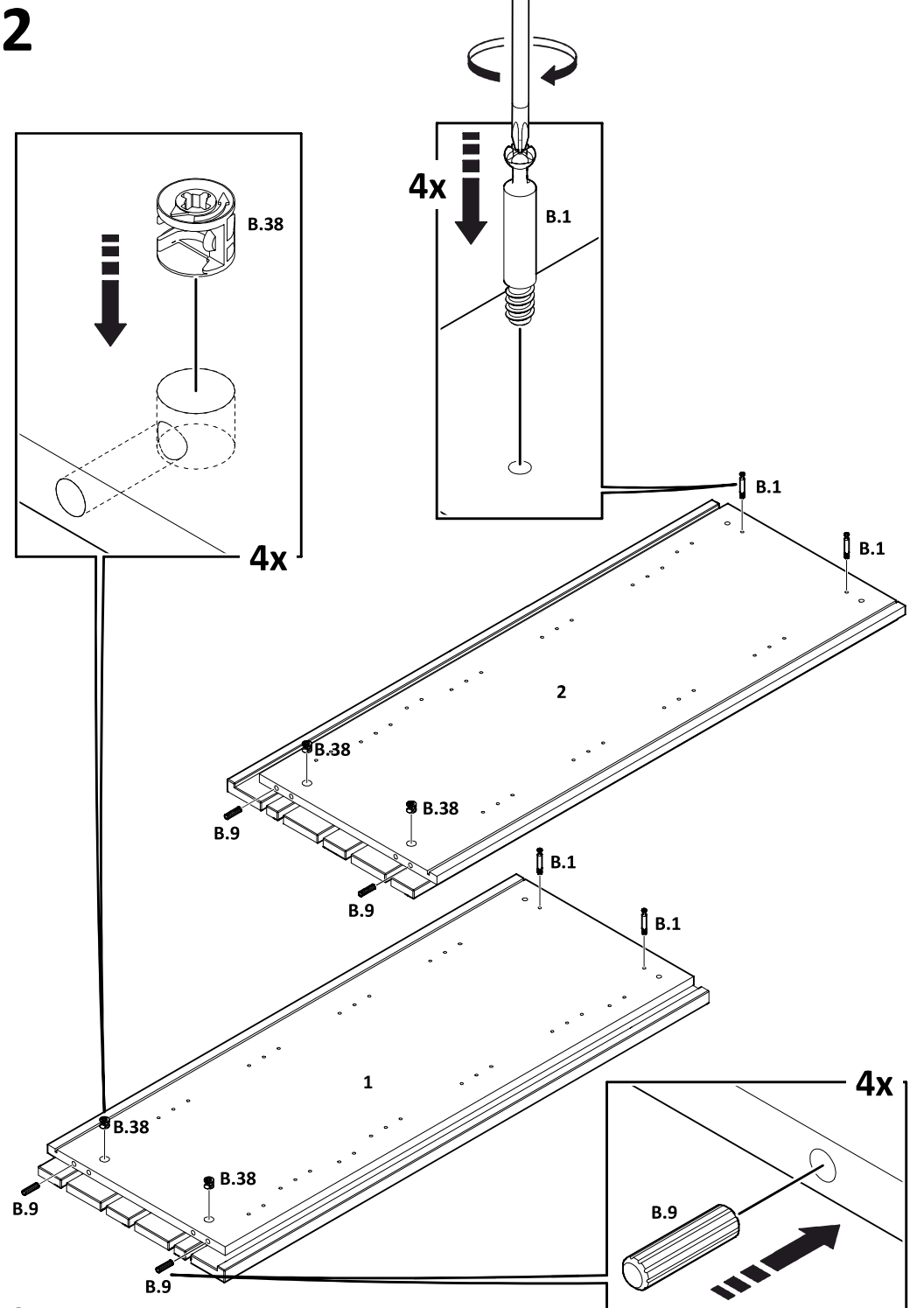
No		Sizes	Coll
1	x1	1050x420x34	3.3
2	x1	1050x420x34	3.3
3	x1	1157x402x16	1.3
4	x1	1124x384x46	1.3
5	x1	968x364x16	3.3
6	x2	360x358x16	2.3
6	x2	360x358x16	3.3
7	x4	744x358x16	1.3
8	x1	1020x375x34	2.3
9	x1	1020x382x34	2.3
10	x1	1020x375x34	2.3
11	x1	378x978x2,5	2.3
12	x1	750x978x2,5	2.3
			1.3

1



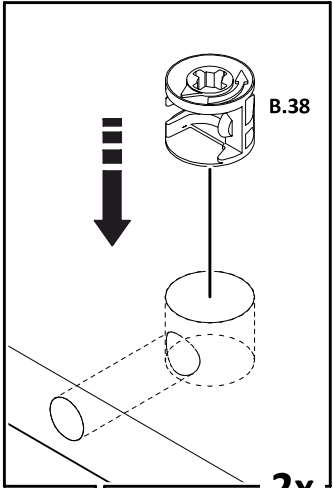
5

2

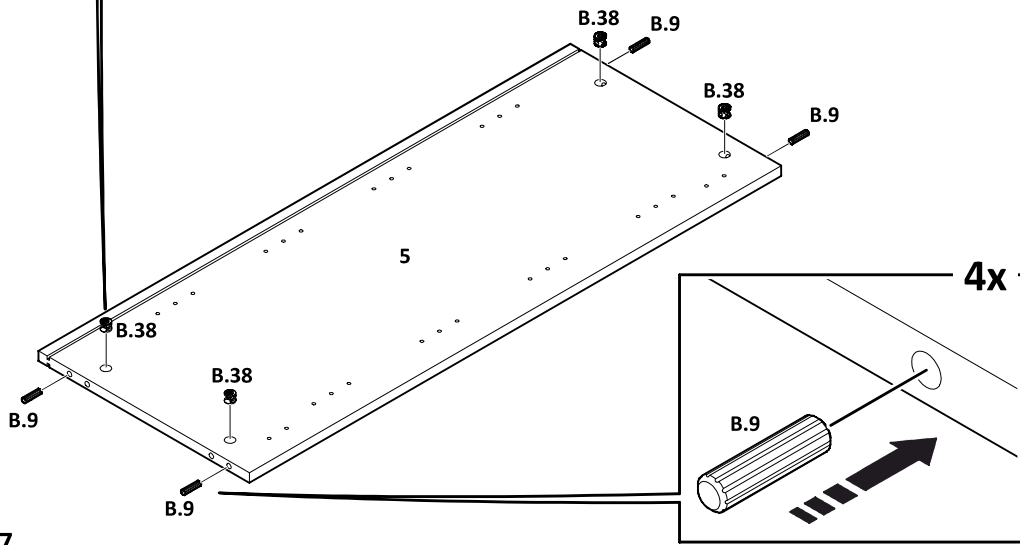


6

3



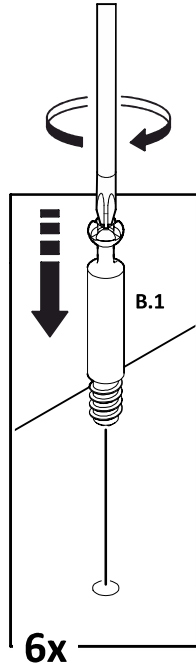
2x



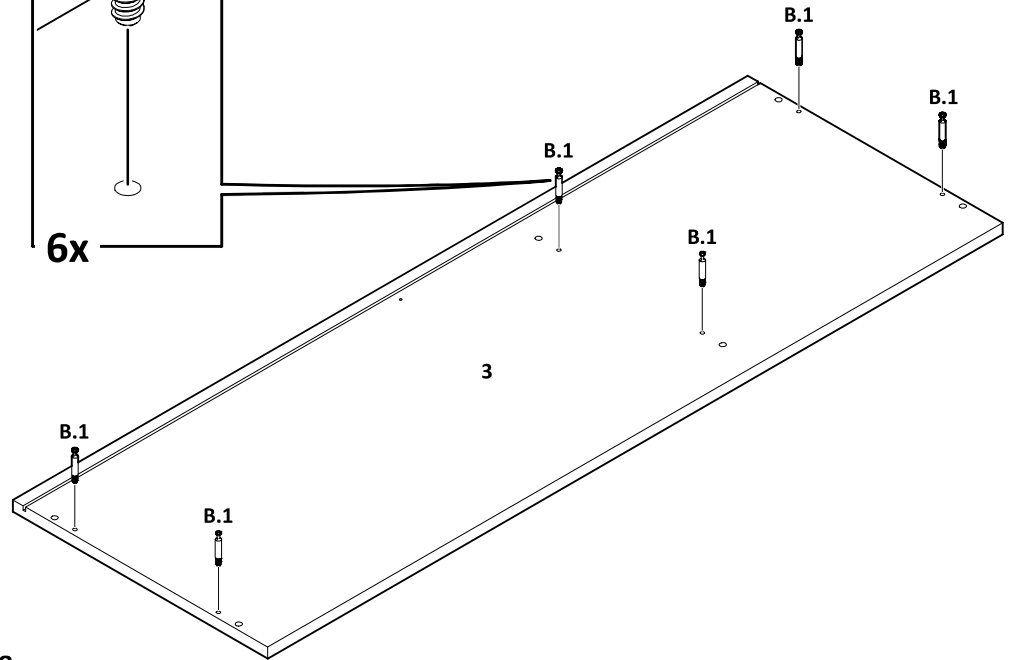
4x

7

4

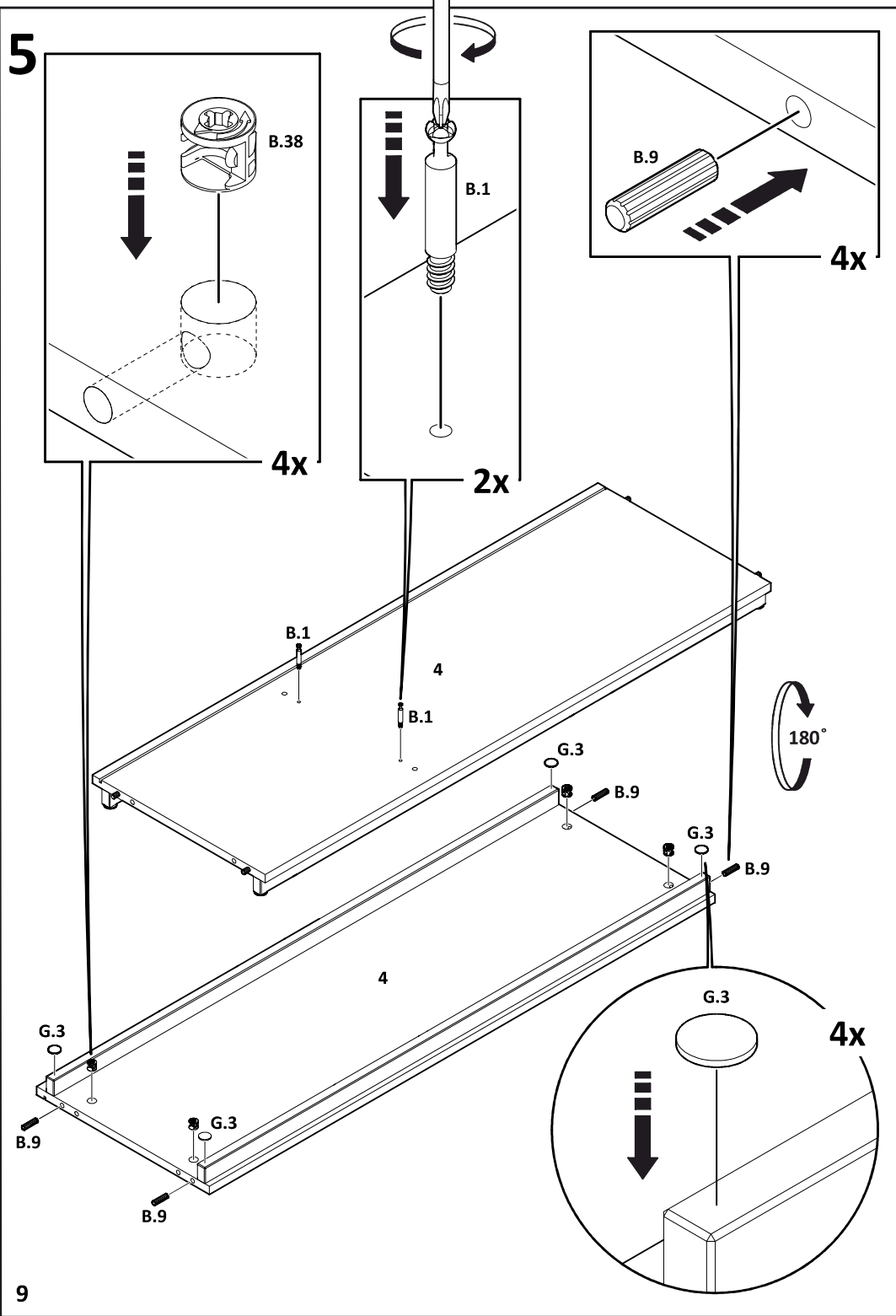


6x

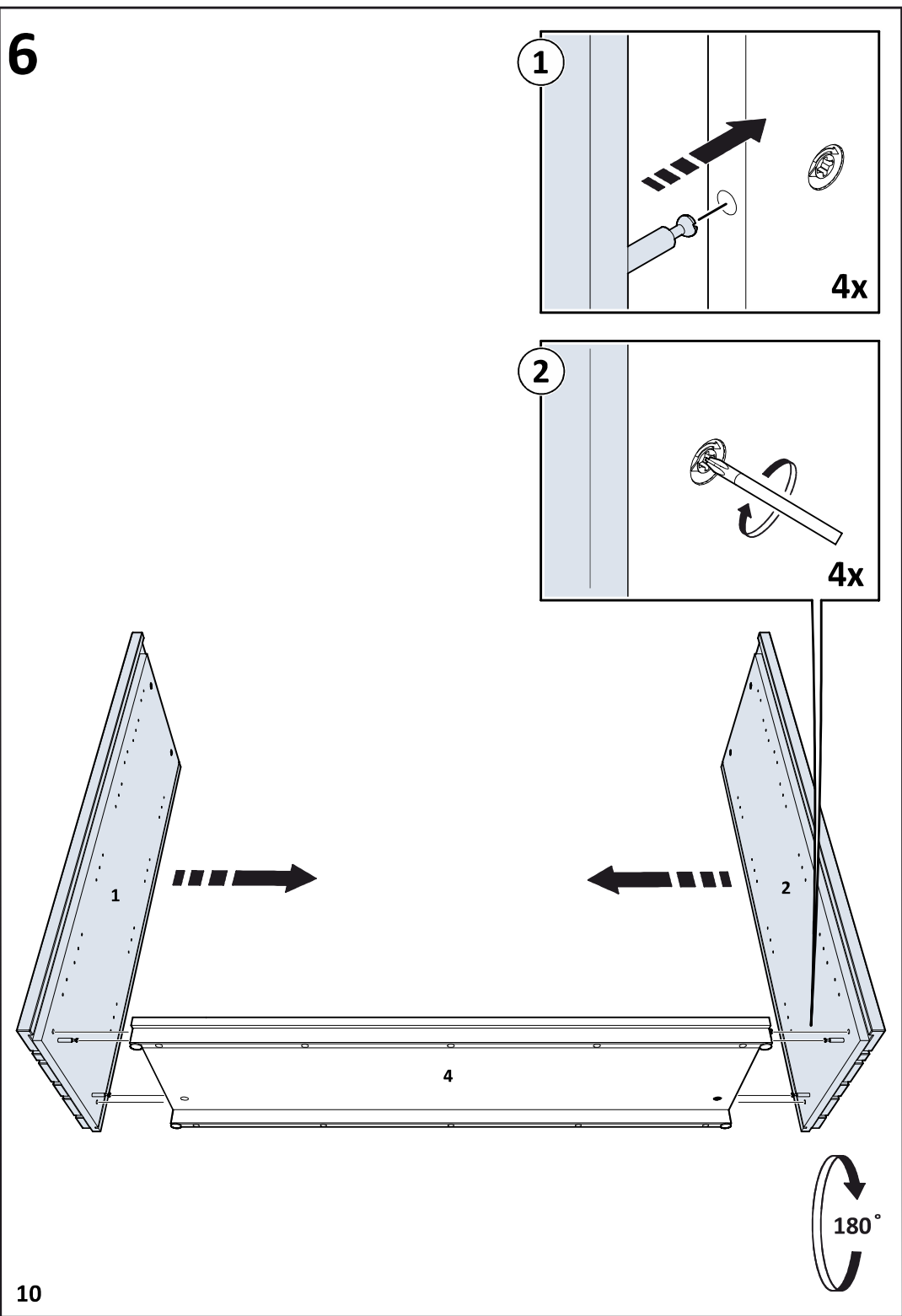


8

5



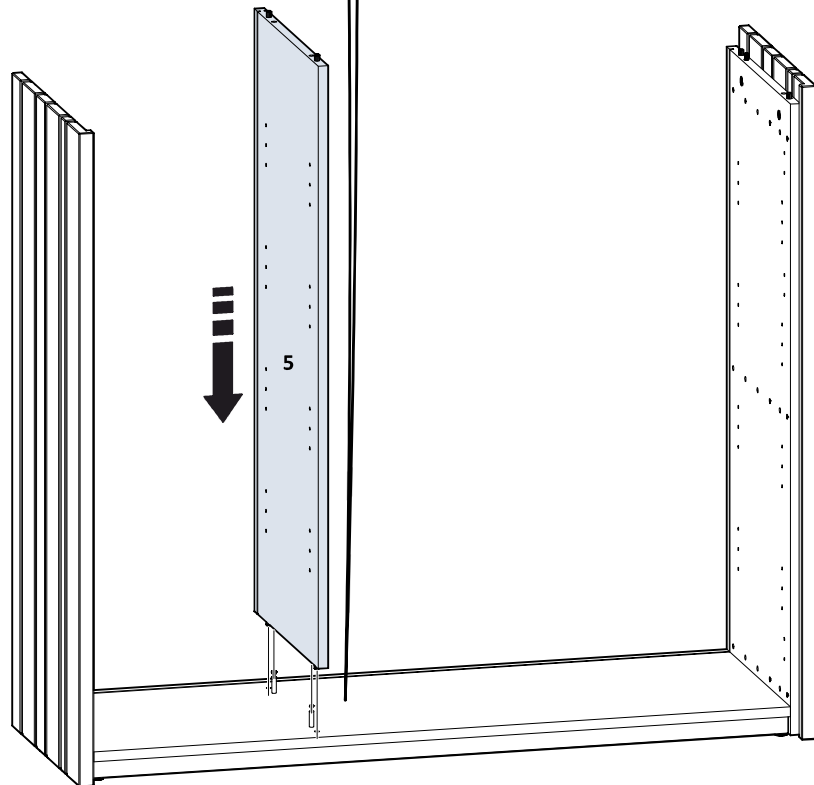
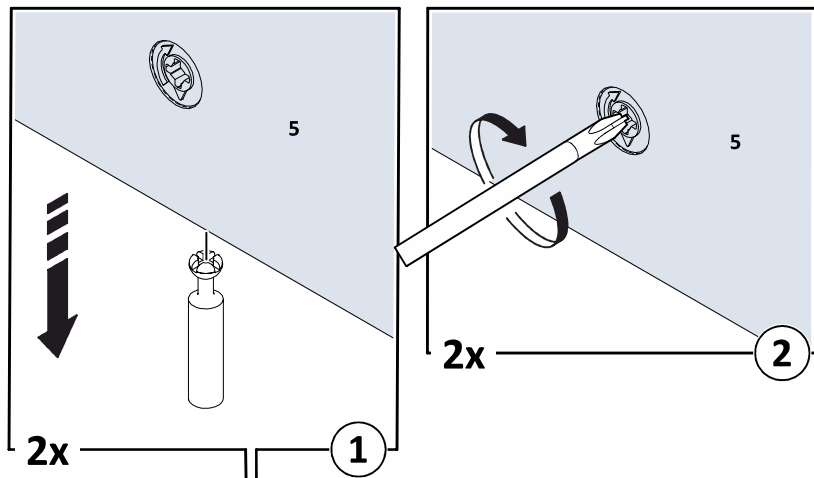
6



9

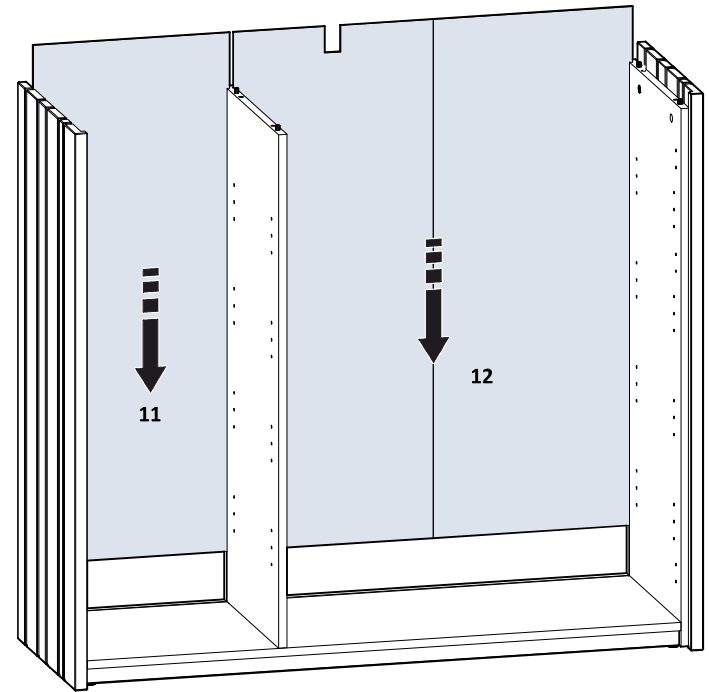
10

7

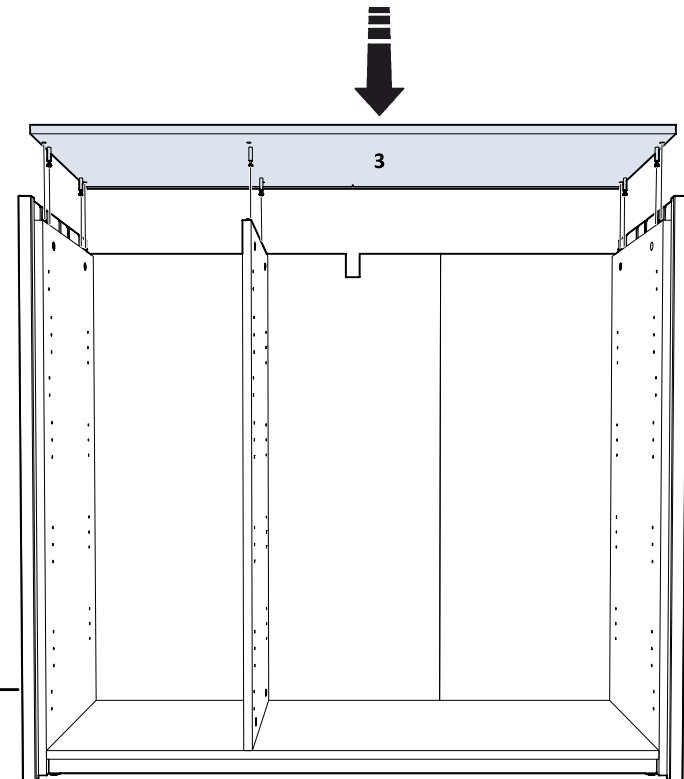


11

8

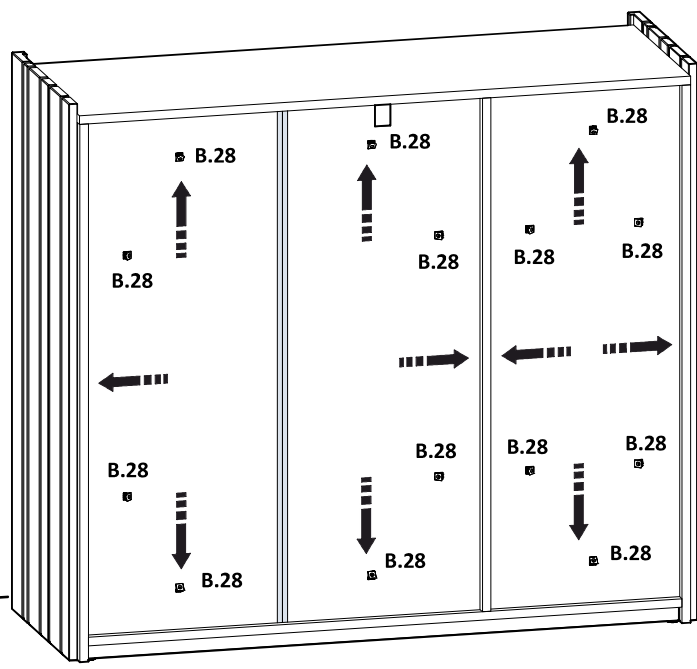
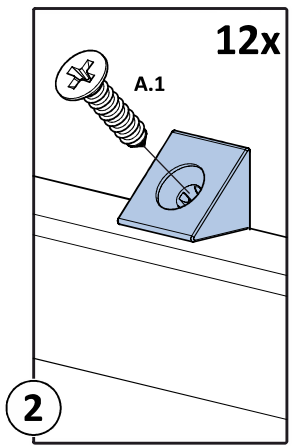
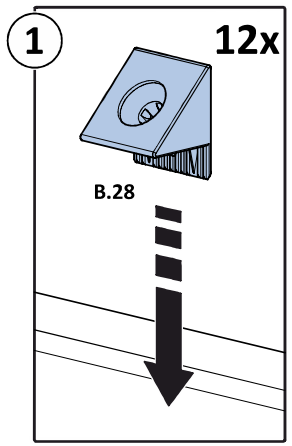


9

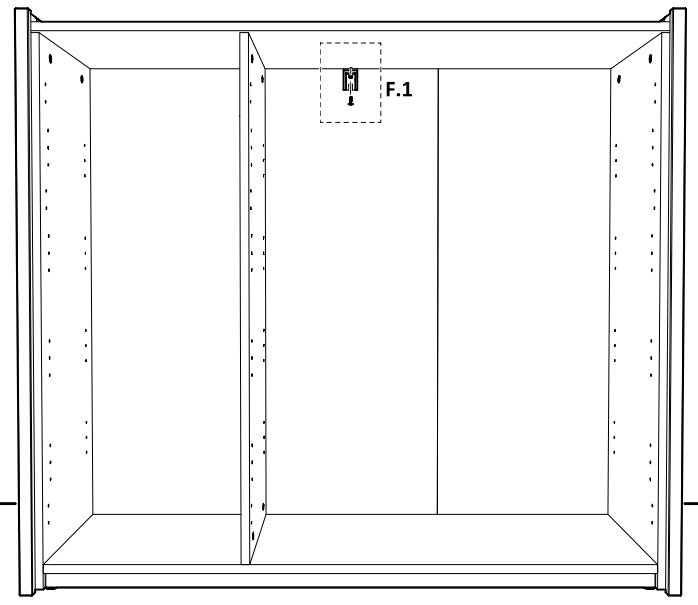
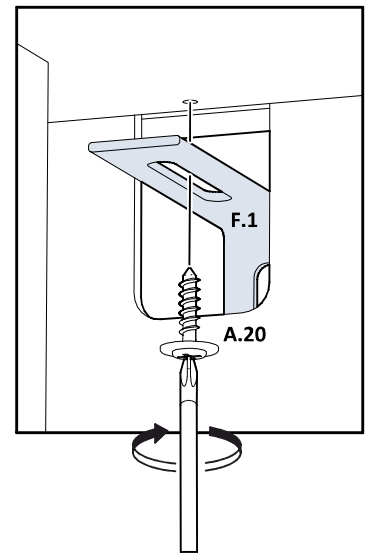
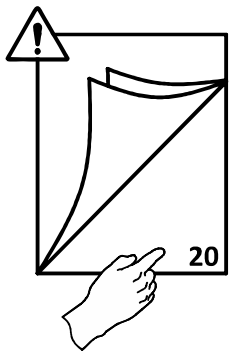


12

10



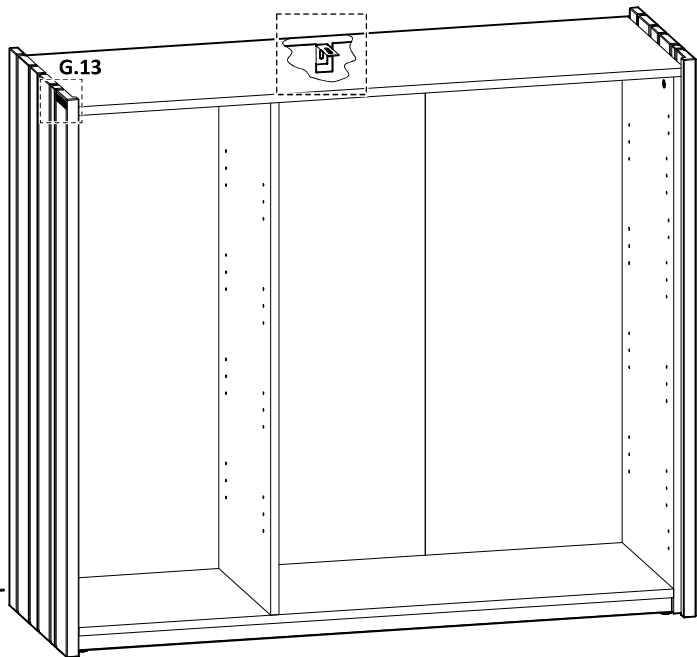
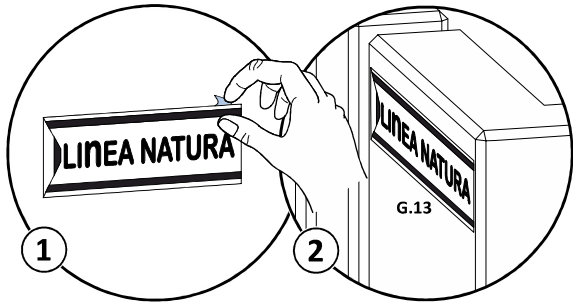
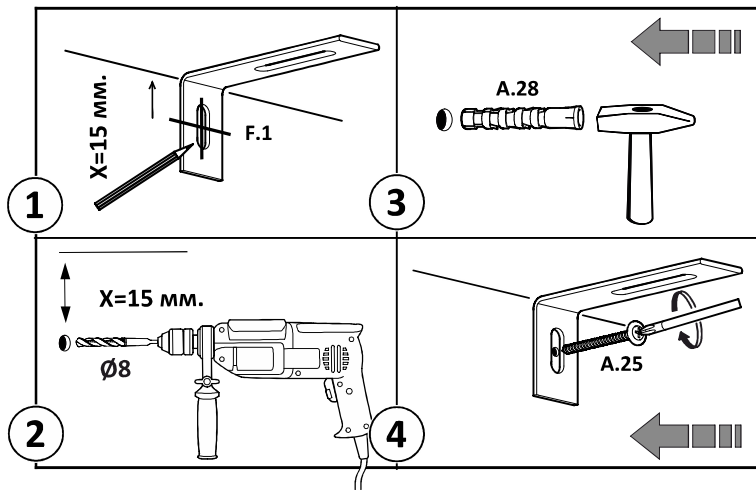
11



13

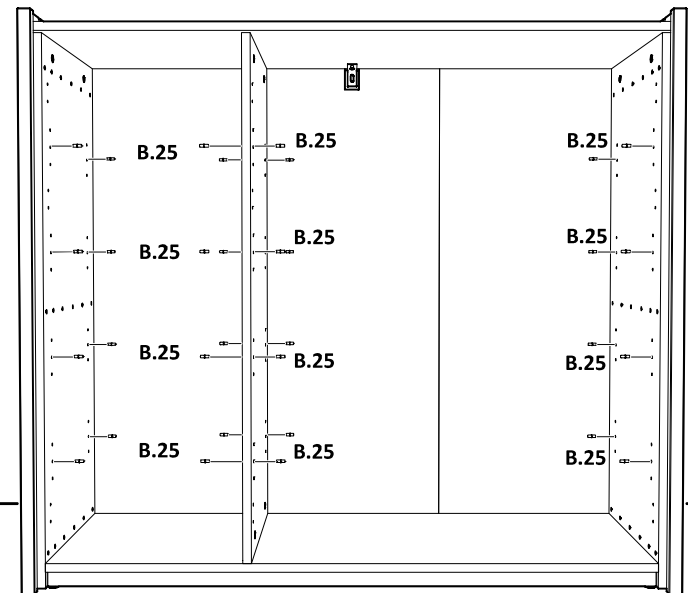
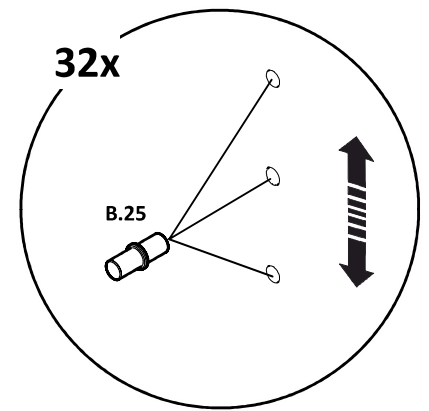
14

12



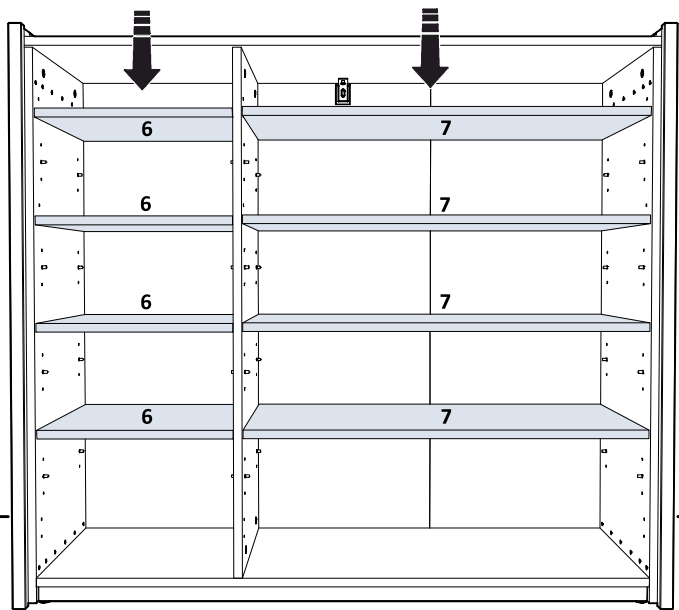
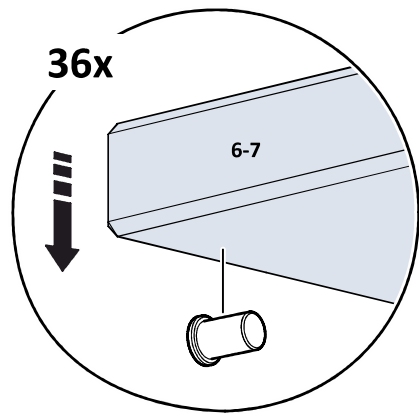
15

13



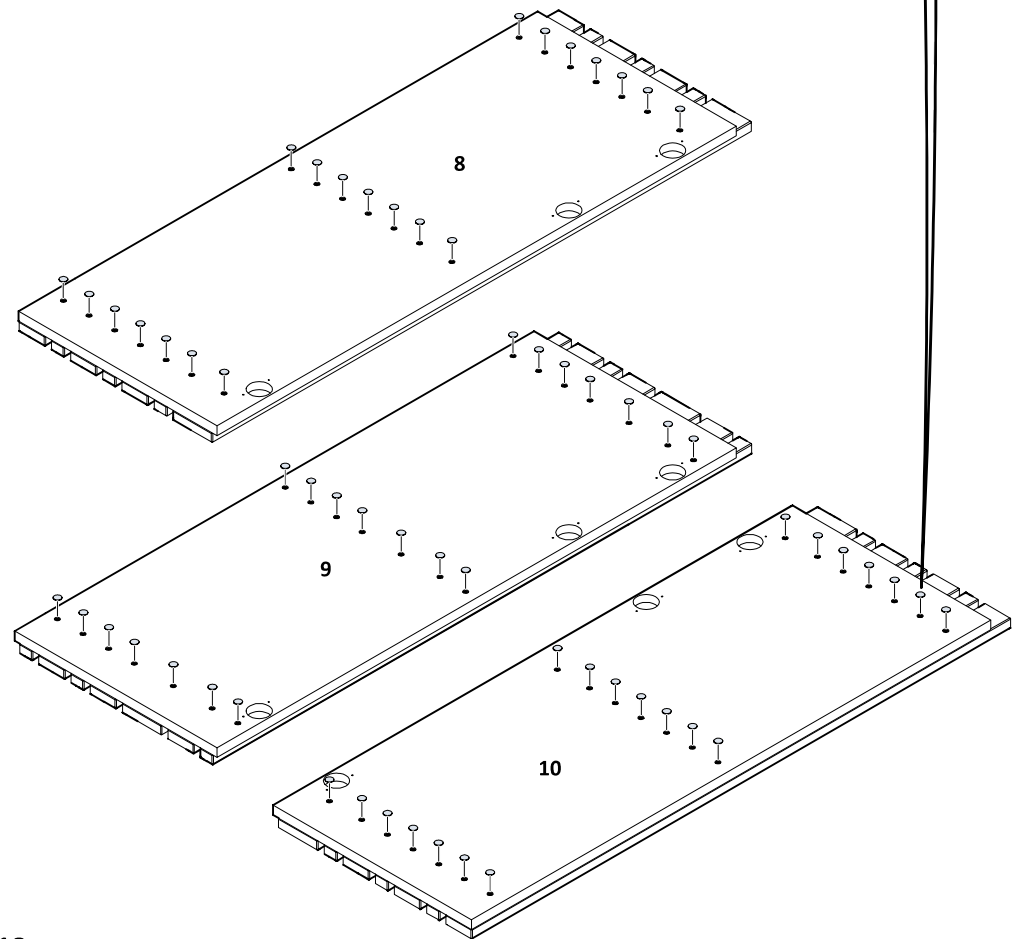
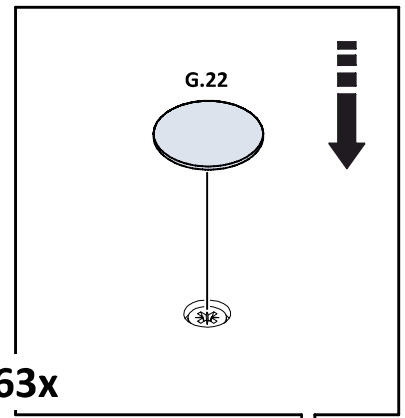
16

14



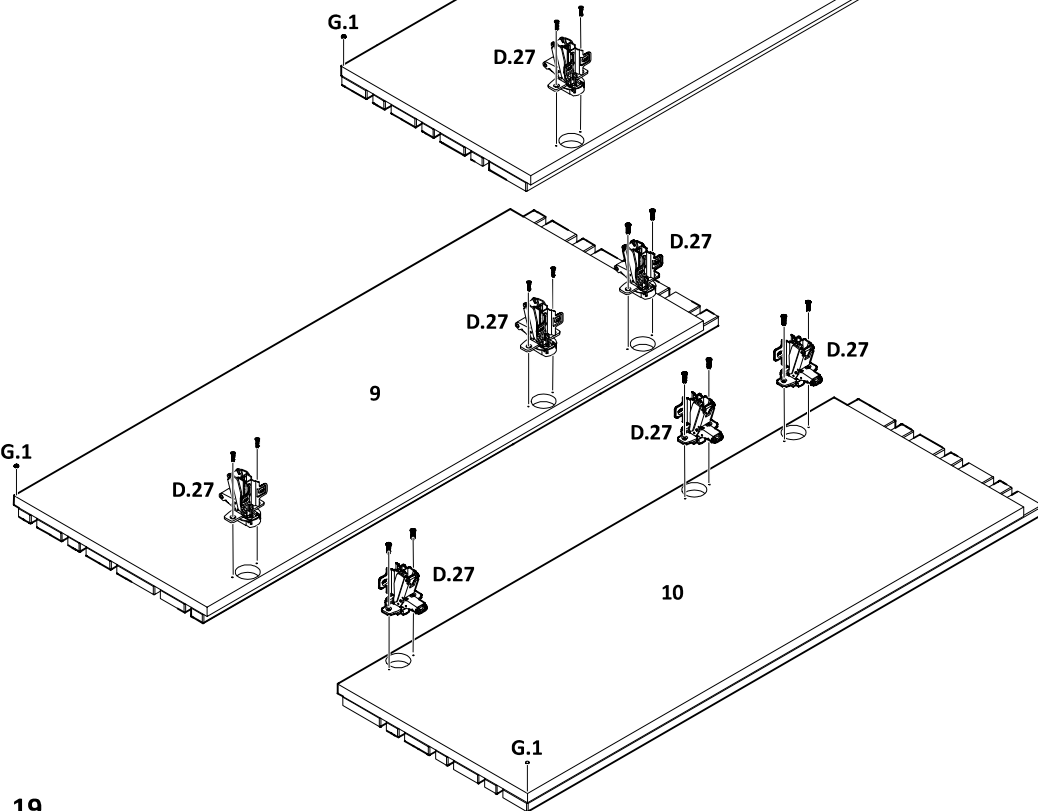
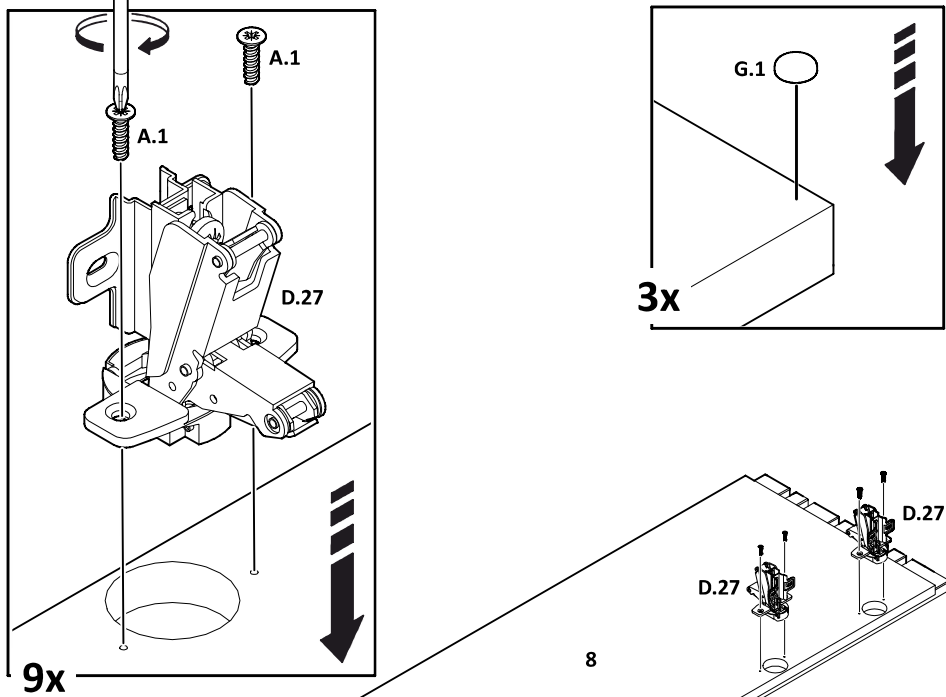
17

15

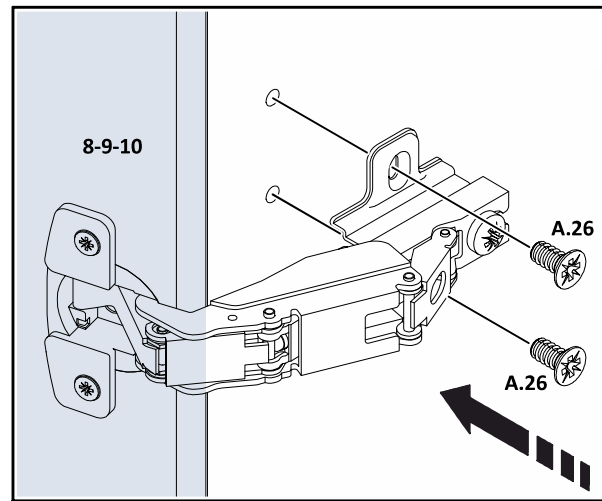


18

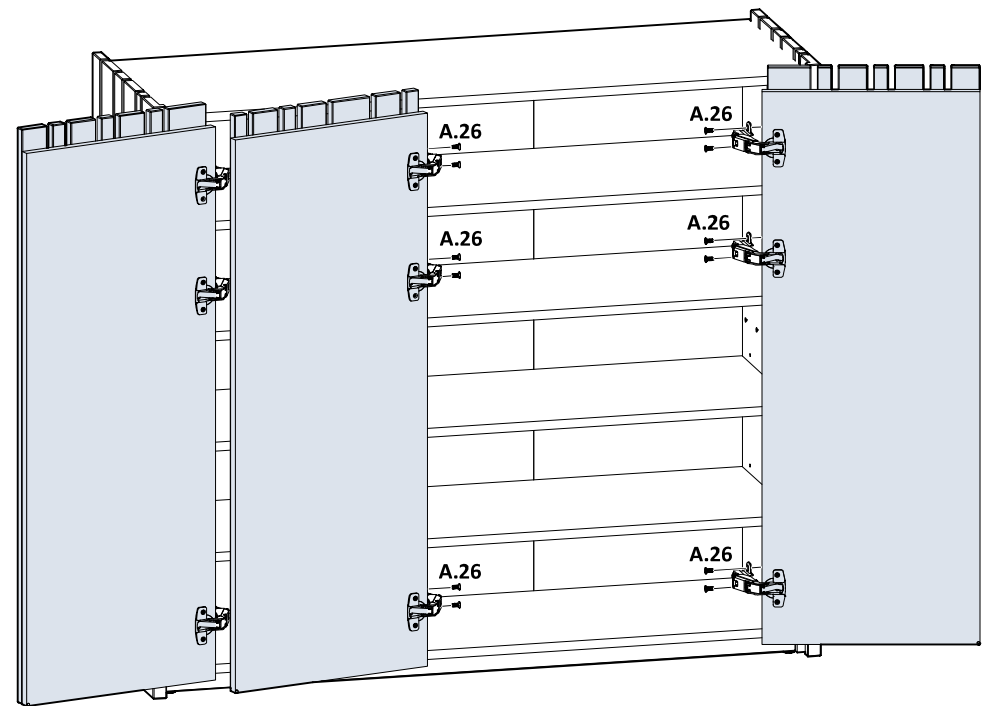
16



9x



17



20

