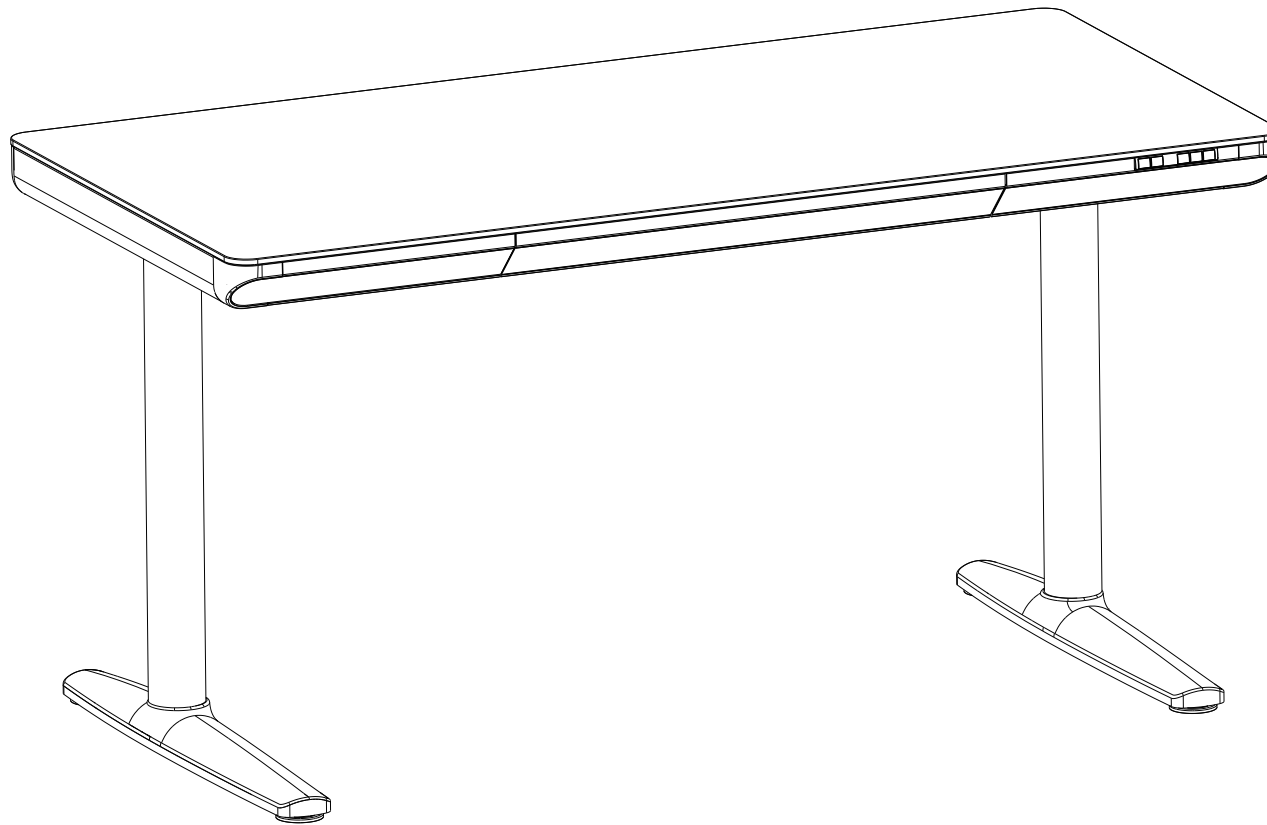


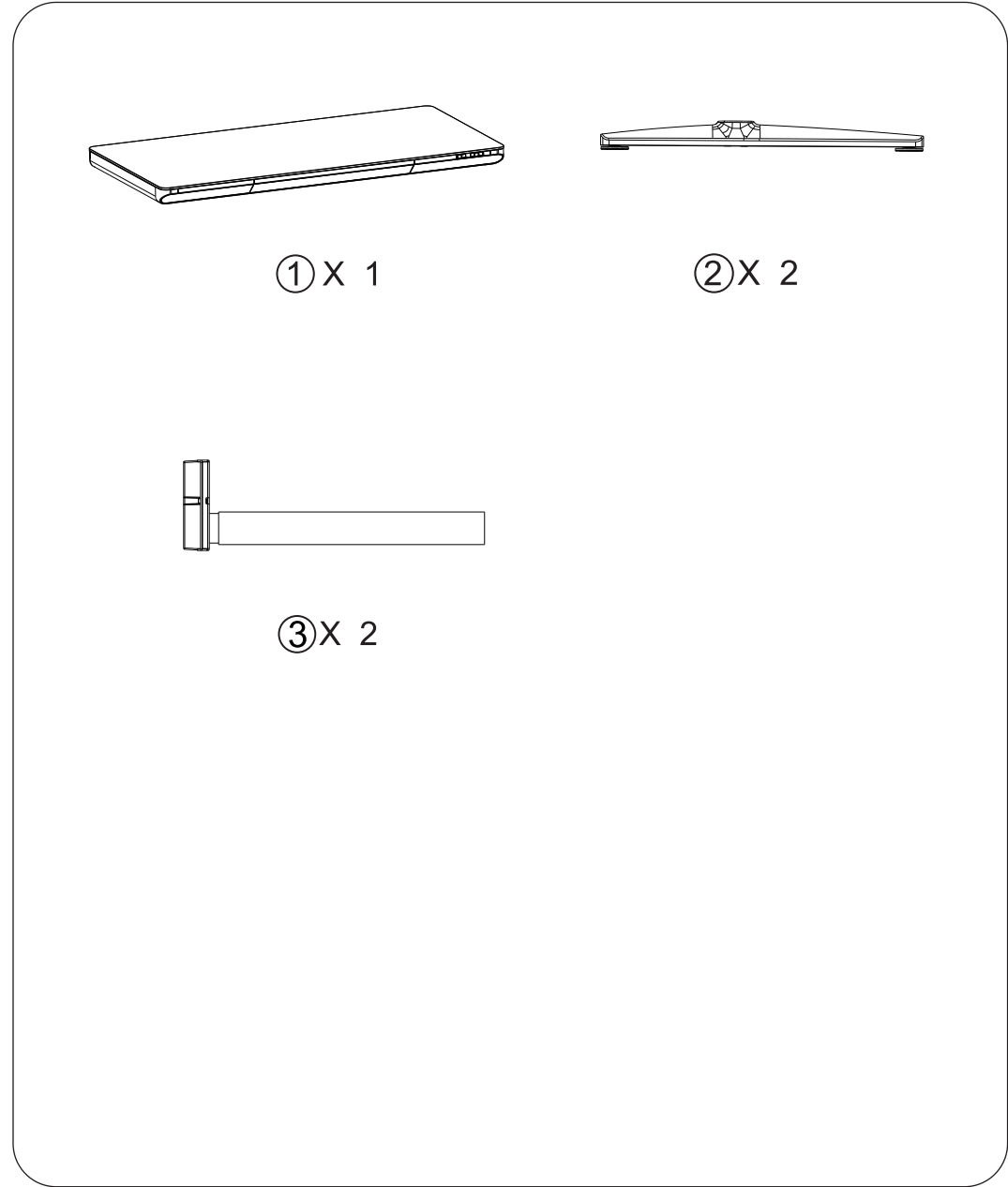
1402930

THEA

Zurbrüggen Wohn-Zentrum GmbH
59423 Unna, Hans-Böckler-Str. 4
UID: DE176229217

novel

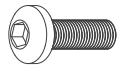




① X 1

② X 2

③ X 2



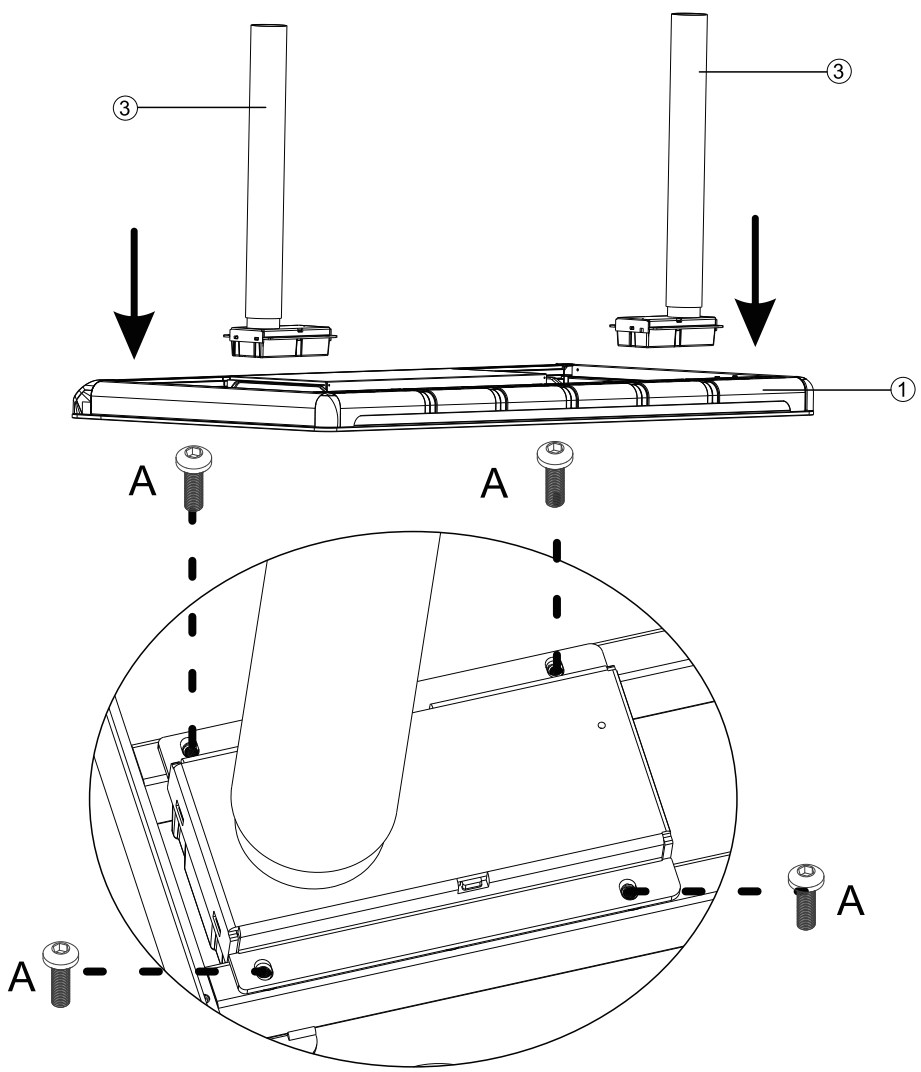
A x 8
M8*18mm



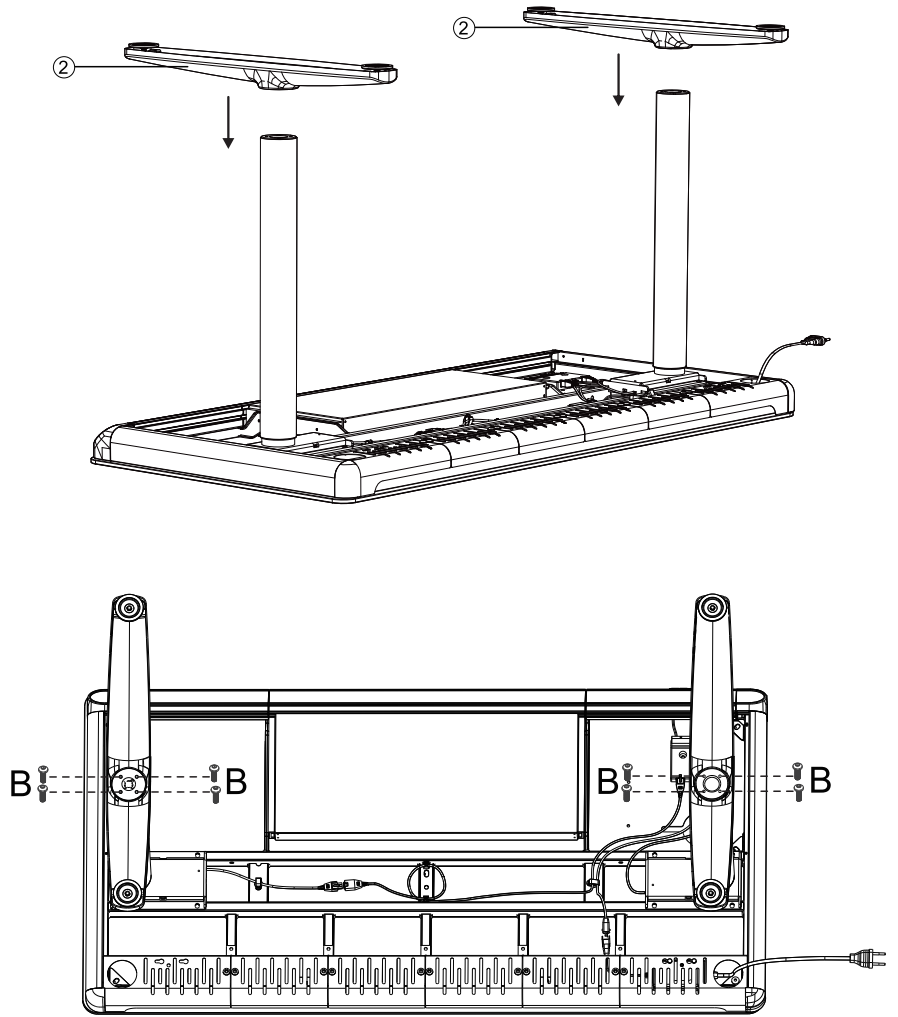
B x 8
M6*15mm



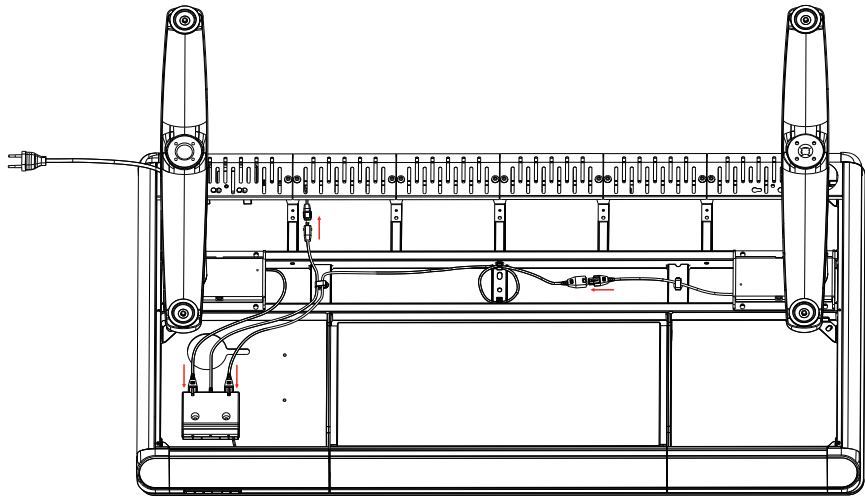
1



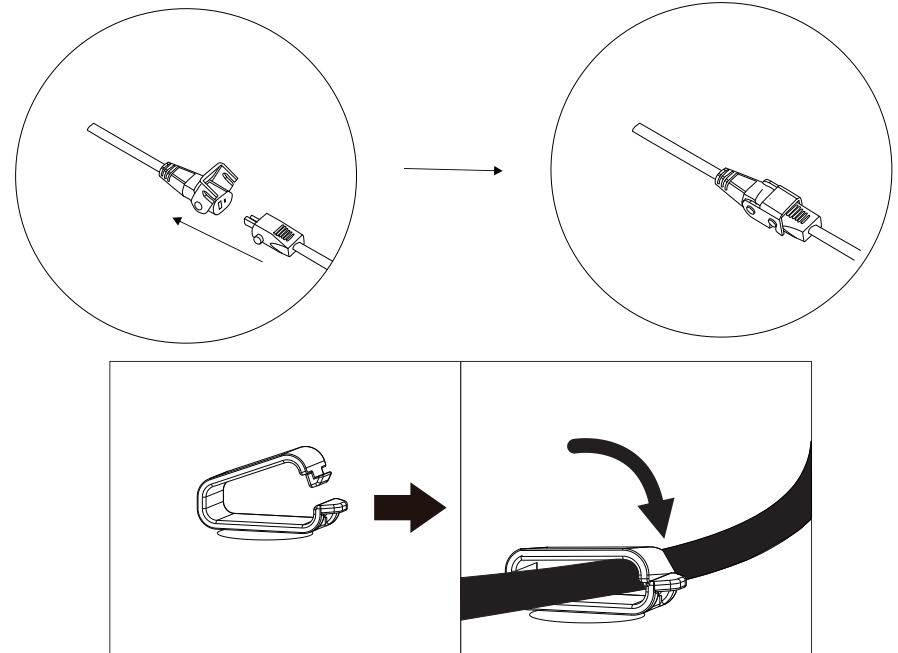
2

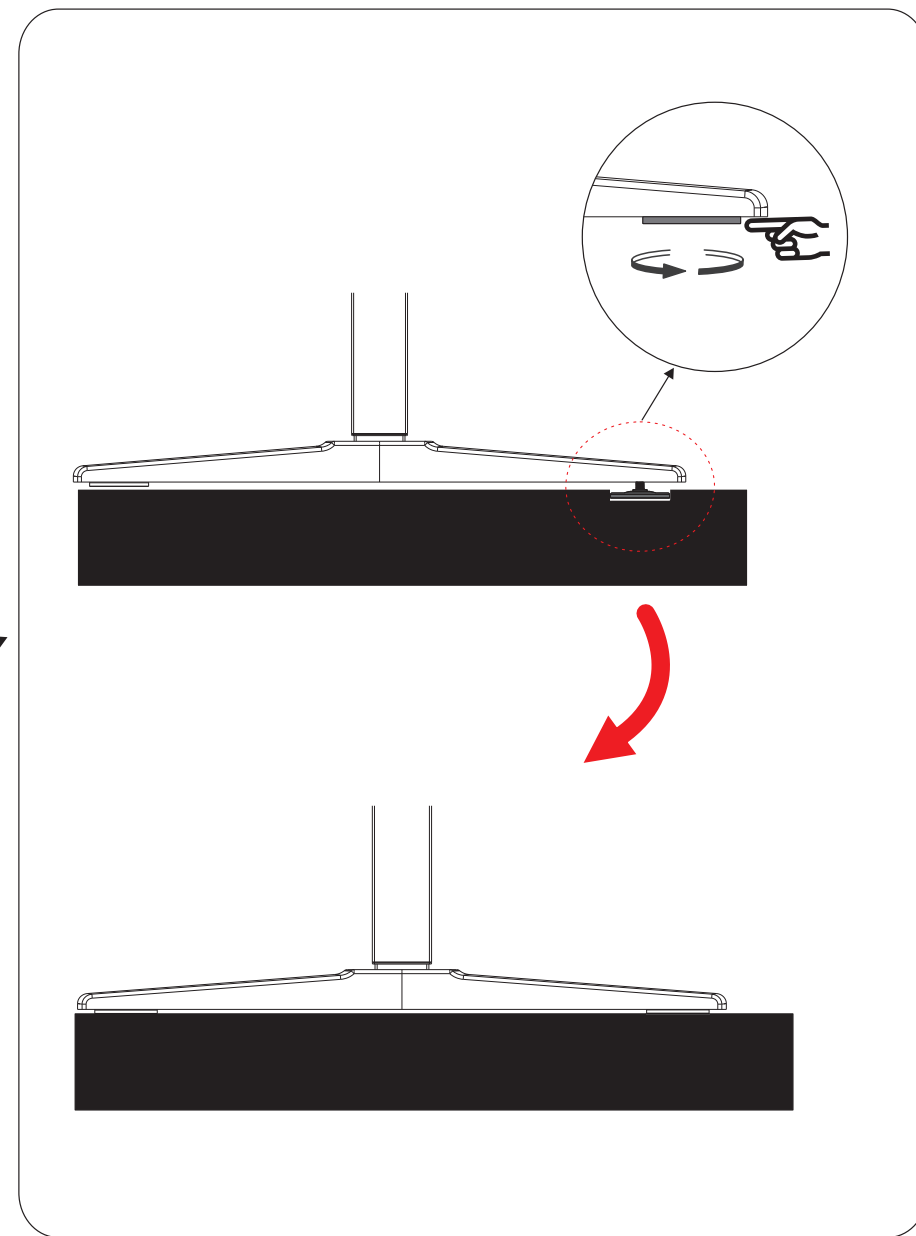
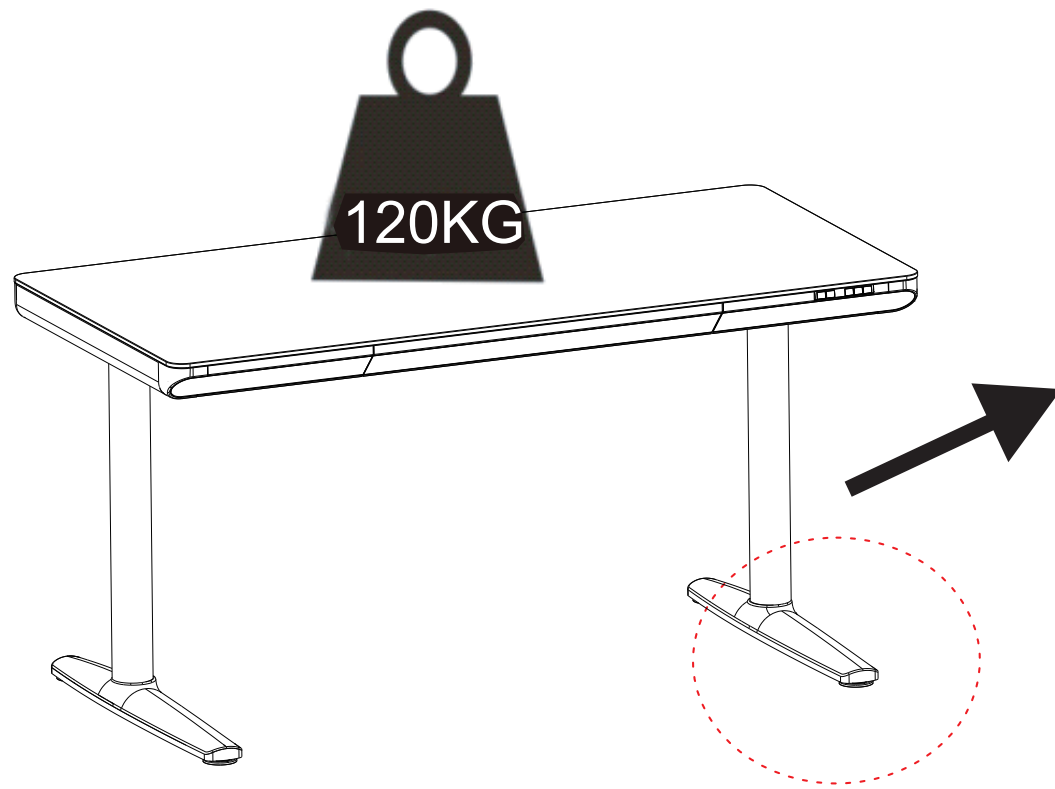


3

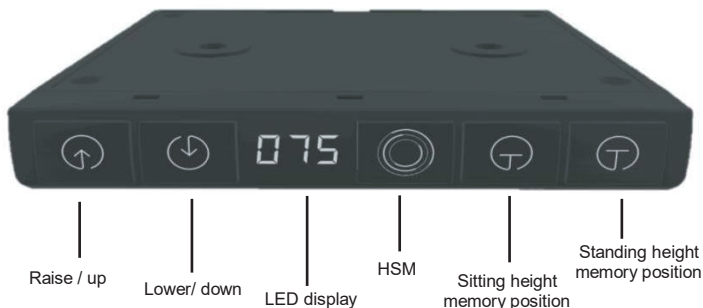


4





User guide



Notice

While raising or lowering the table, please make sure objects are secure on the table, and nothing prevents the table from raising or lowering through its desired range of adjustment.

Suggestion

Please set the preferred table height while sitting by pushing the “sitting position memory key”, and the preferred table height while standing by pushing “the standing height memory key”.

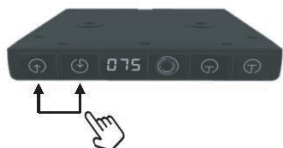


Table Height Adjustable

Press up or down to raise or lower the table to the preferred table height.



Memory Presets

At the preferred lower table height for seated work, press the left for 3+ seconds to set memory.

At the preferred higher table height for standing work, press the right for 3+ seconds to set memory.

Press 3+ seconds

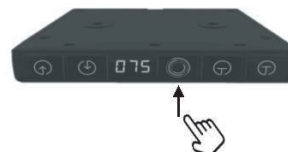


Use of Memory Keys

Briefly press the key left and release, the table will move to the preferred seated work height.

Briefly press the key right and release, the table will move to the preferred standing work height.

Table adjustment stops by pressing any key on the control pad



HSM mode

When the light is flashing, the table will slowly move up 12 cm in 3 minutes, will stop for 2 minutes, and then will slowly move down by 12 cm in 3 minutes. After 2 minutes the movements will repeat.

Power ON/OFF

1. Press the key to turn the operating system ON; the backlight light will be on;

2. The system automatically shuts OFF after 4 hours.

* If operating other keys, the backlight is off.



Press 3+ seconds

Reset control pad

In the lowest position or when prompted by the “protection and alarm” message, press the down arrow for 3+ seconds, the table moves all the way down and will raise to a preset height at which time the reset is completed.

Notice: Objects under the table should be removed before the reset operation to prevent damage to table or other items.

Protection and Alarm

- Anti-interference: message/alarm “E02” appears when the desktop vibrates, is interfered with, or tilts during an adjustment. Stop adjustment immediately and reverse movement; after a certain adjustment the alarm will disappear.
- Overheating protection: message/alarm “Hot” appears when continuous adjustment time exceeds 2 minutes, the overheating protection will be triggered. Stop adjustment immediately; wait for 18 minutes after which the alarm will disappear.
- Motor malfunction protection: message/alarm “E10” appears. Power should be disconnected, recheck and ensure that the motor connected to the controller is secure, connect to power source.
- Over load protection: message/alarm “E20” appears when the table is raised while over loaded. Remove weight, heavy objects from the table before adjustments. If over load occurs when lowering the table, please press the for 3+ seconds to reset.
- Out of Sync protection: message/alarm “E60” appears (multi-motor systems only!). Power should be disconnected, recheck and ensure that the motor connected to the controller is secure, connect to power source for reset.

Waste disposal



This sign indicates that this product should not be disposed with other household wastes. To prevent possible harm to the environment or human health from uncontrolled waste disposal, please recycle it responsibly to promote the sustainable reuse of material resources. To return your used device, please use the return and collection systems or contact the retailer where the product was purchased. They can recycle the product, ensuring environmental safety.