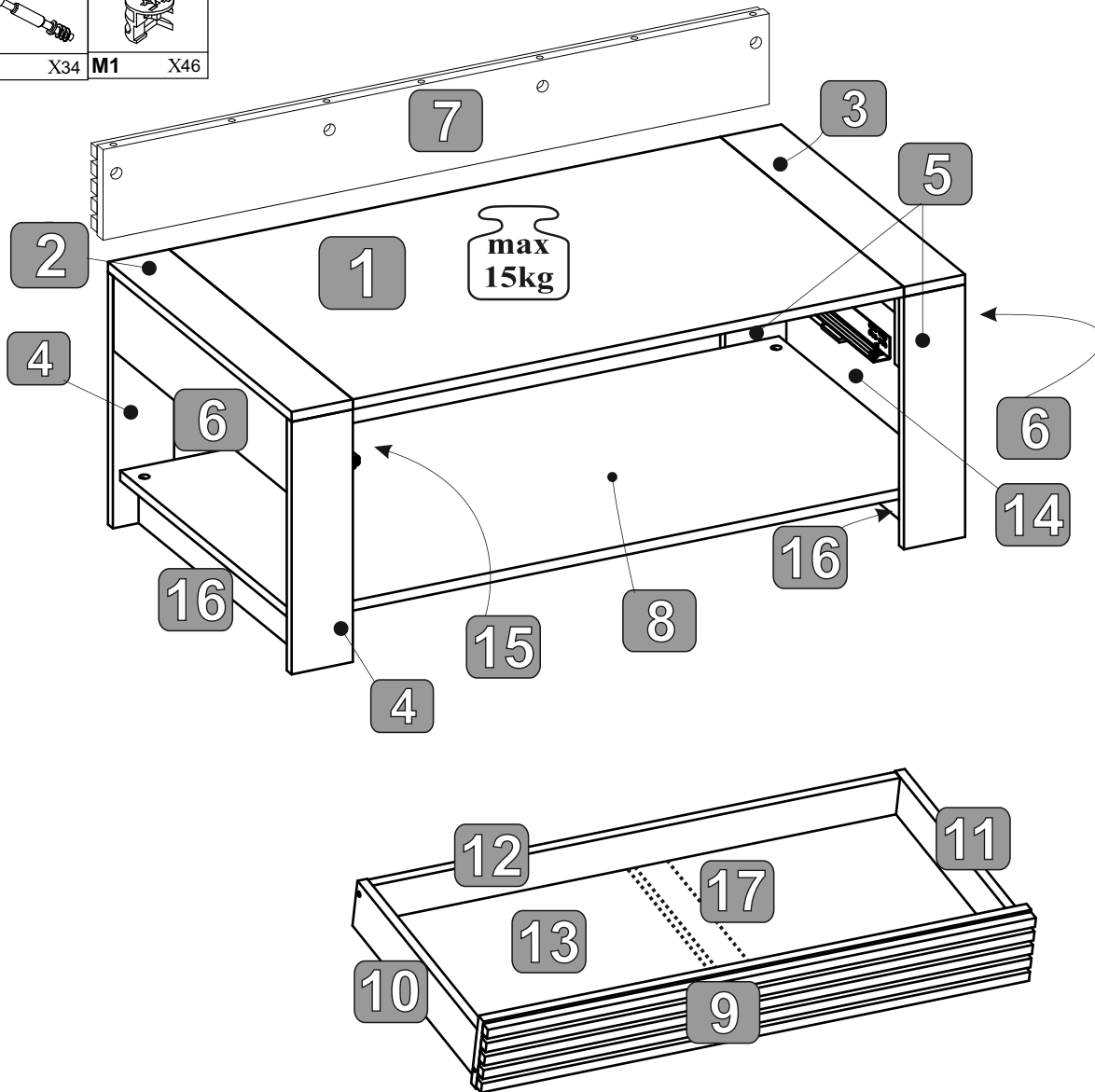


# FELIPPE

# 83-B36-V2



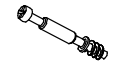
Z1 X4	K2 X8	D1P X1	D1L X1	W2 X4	S1 X8	T2 X6
W3 X14	W4 X6	I1 X1	S2 X2	K1 X41		
T1 X34	M1 X46					

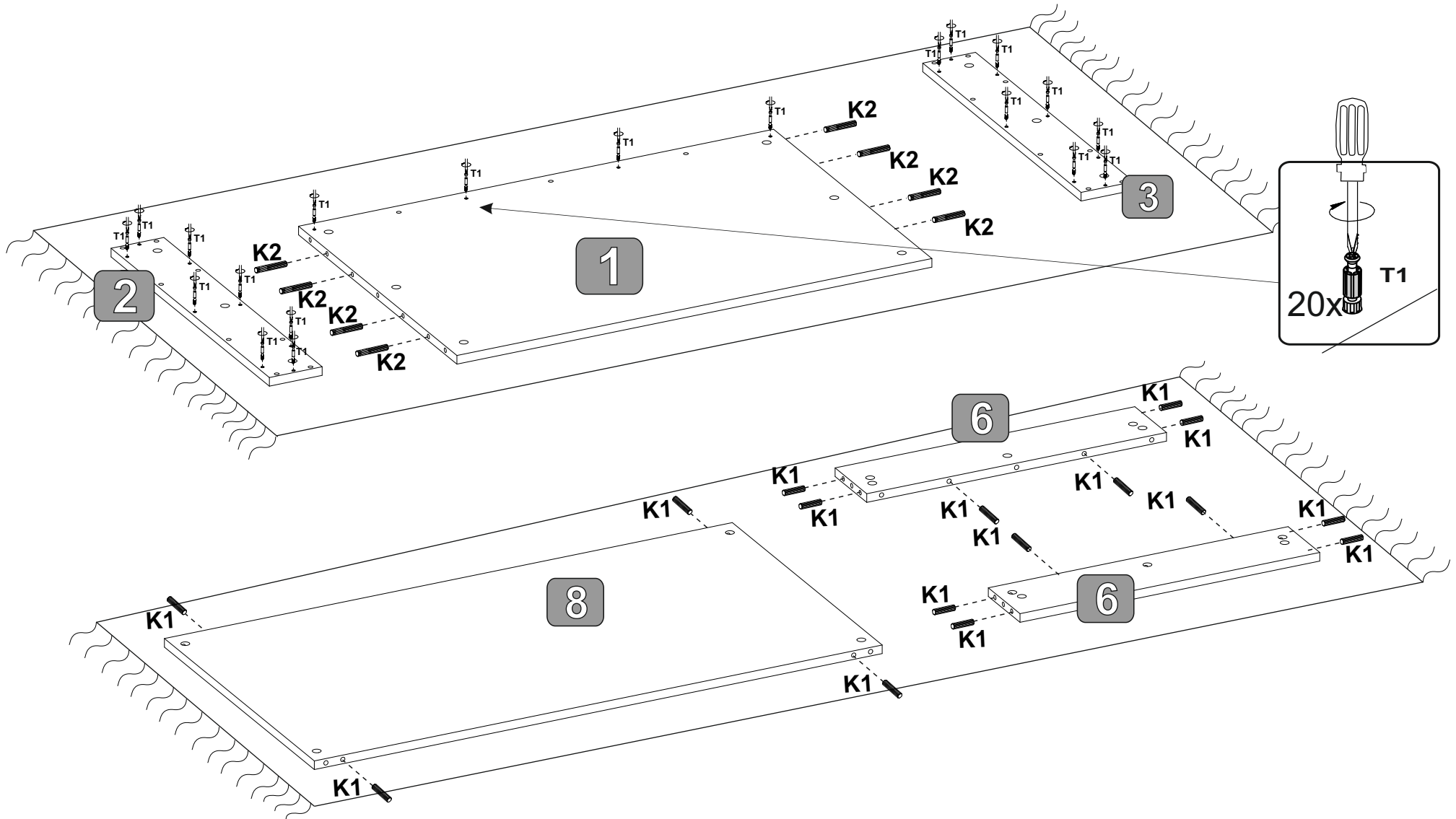


1	900	600	16	1
2	600	100	16	2
3	600	100	16	2
4	404	100	16	2
5	404	100	16	2
6	568	120	16	2
7	964	120	32	1
8	1076	568	16	1
9	895	120	32	1
10	400	80	16	1
11	400	80	16	1
12	862	65	16	1
13	874	406	3	1
14	552	120	16	1
15	552	120	16	1
16	568	74	16	1
17	399	60	16	1


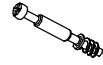
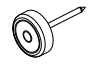


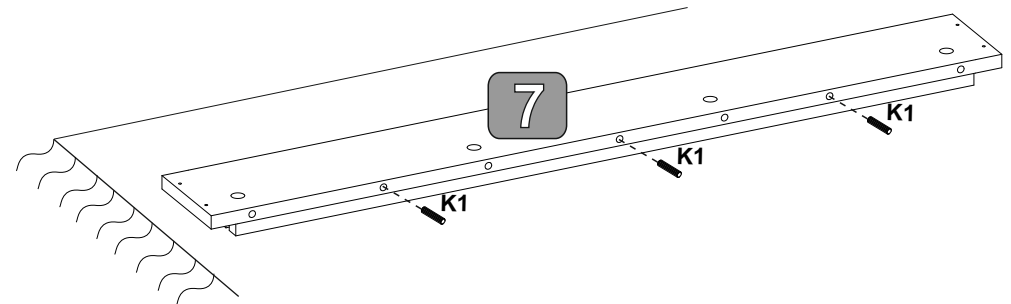
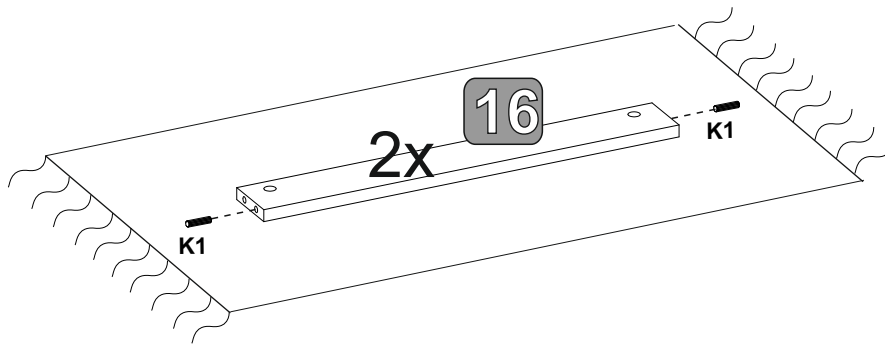
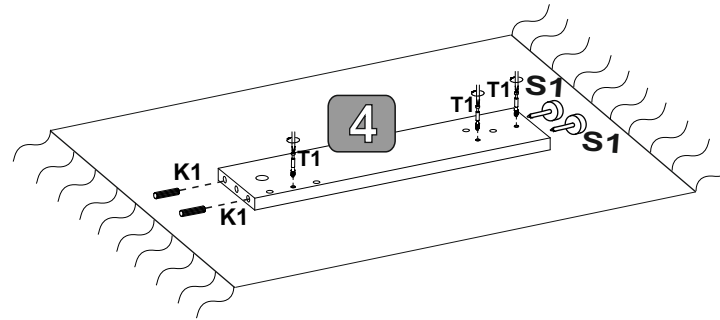
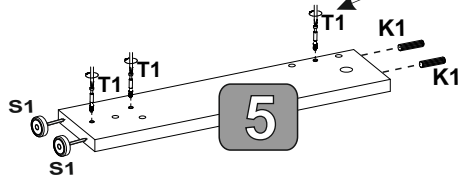
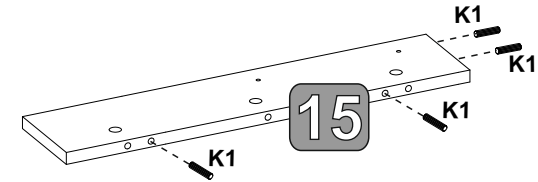
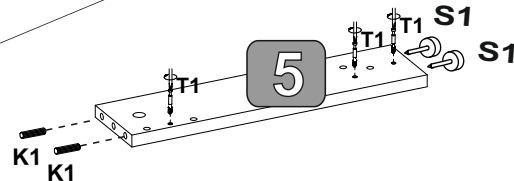
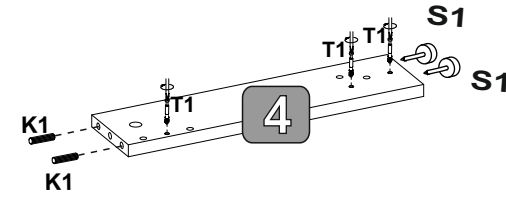
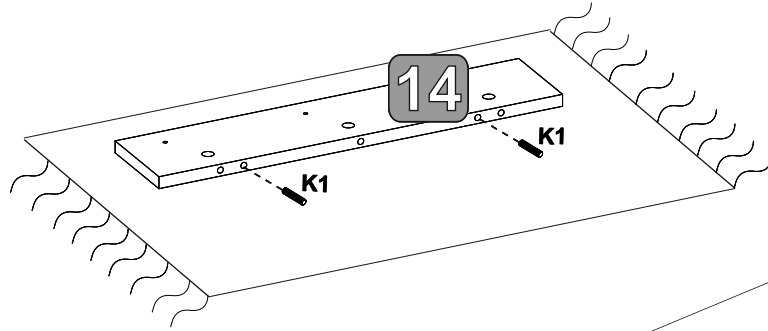
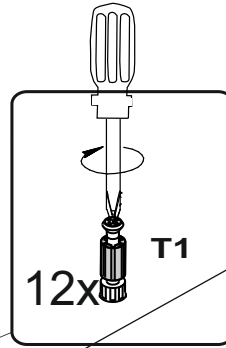
1

 8x30	 8x50	 X20
<b>K1</b> X16	<b>K2</b> X8	<b>T1</b> X20

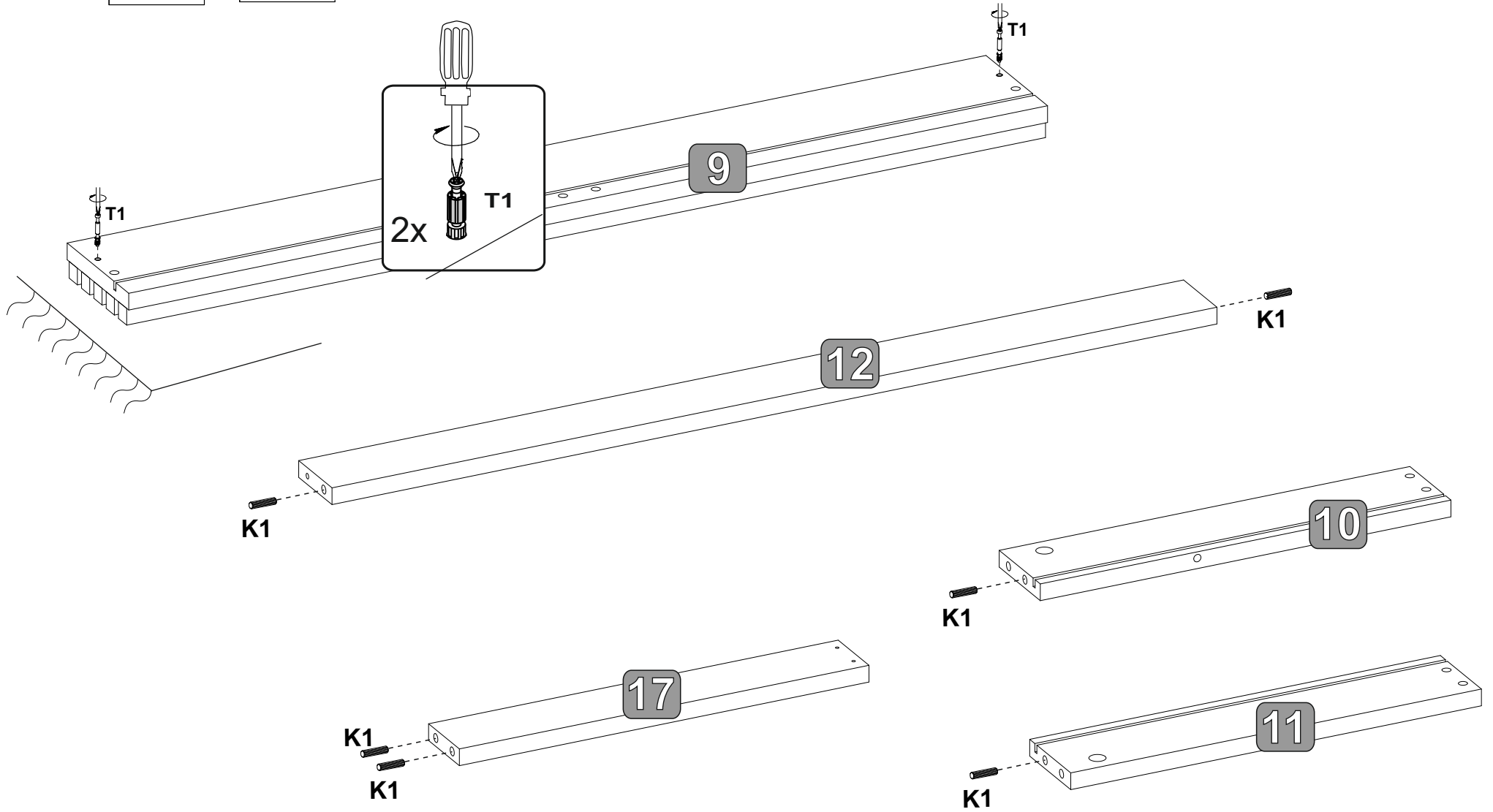
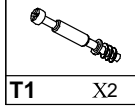
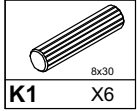


2

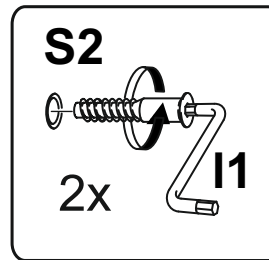
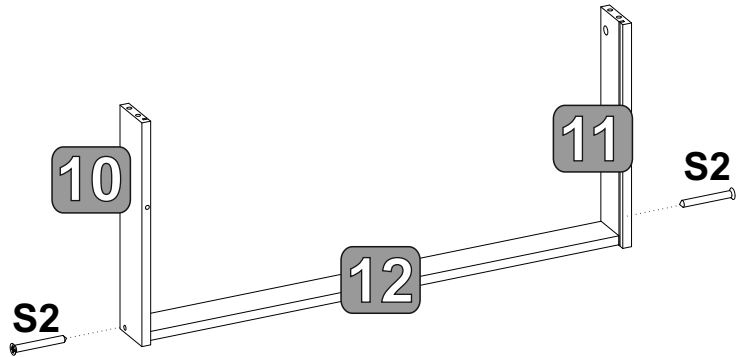
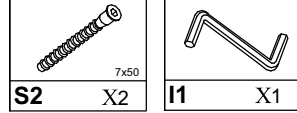
 K1 X19	 T1 X12	 S1 X8
---	---	--



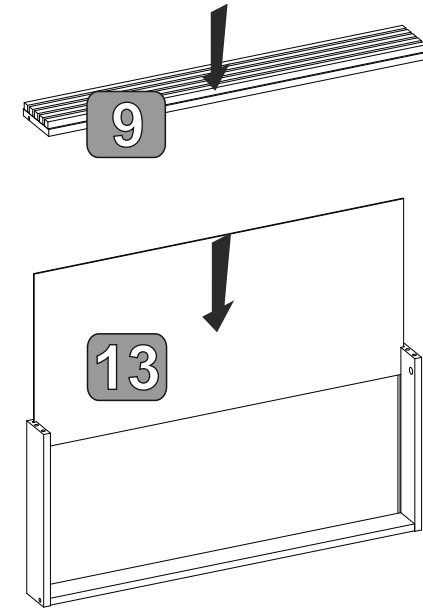
# 3



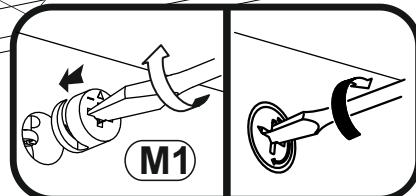
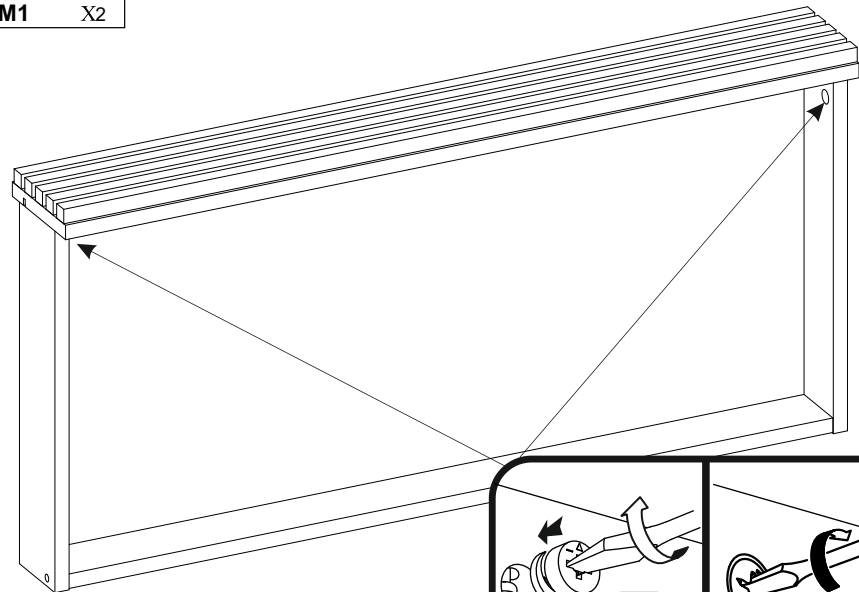
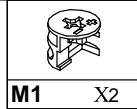
4



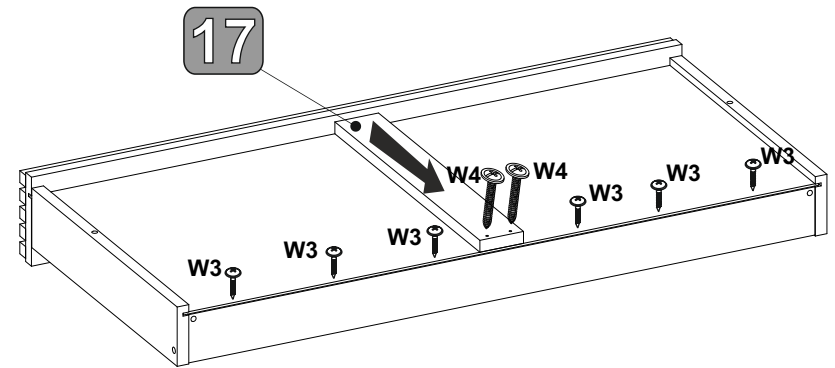
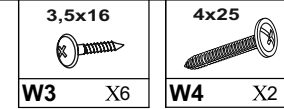
5





6

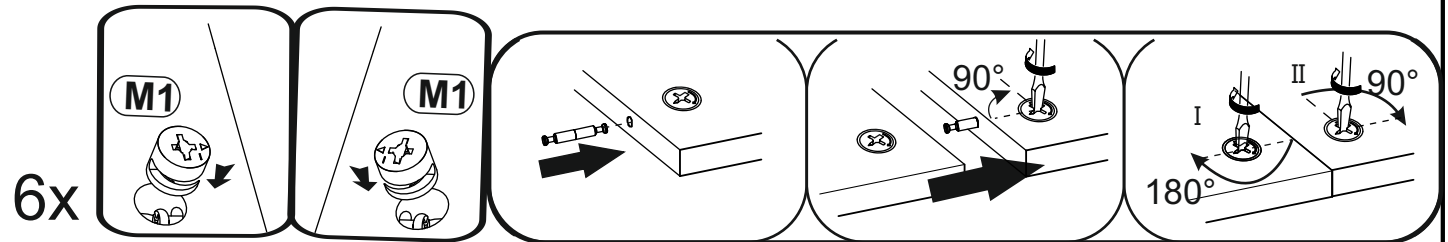
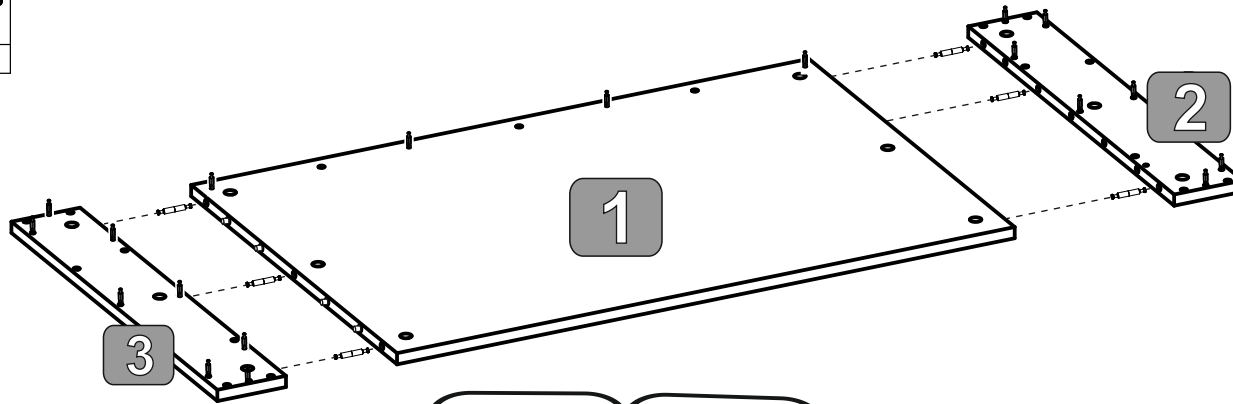


7




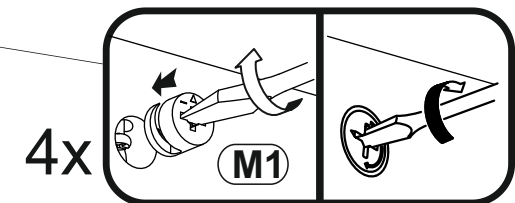
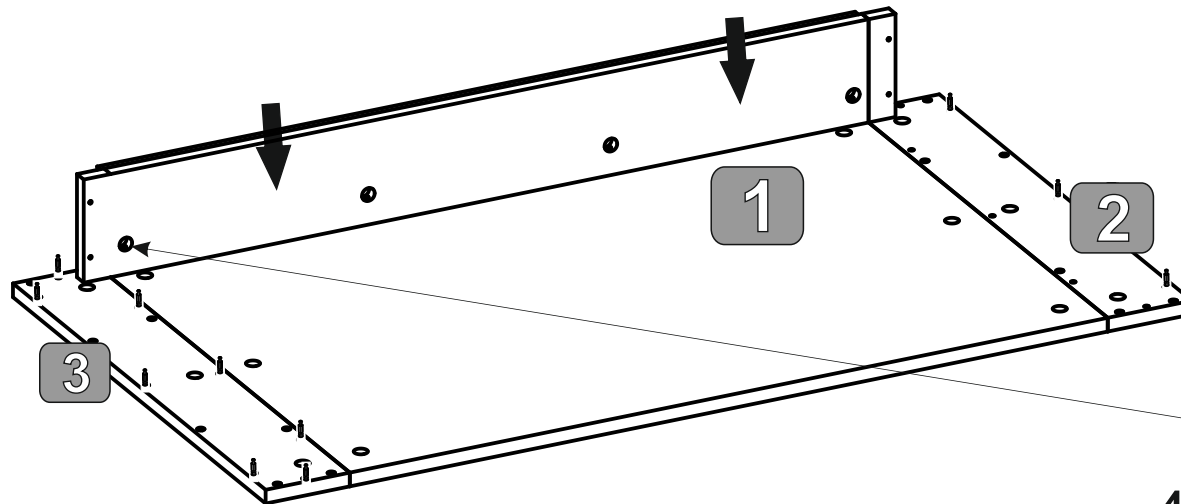
## 8

	
M1 X12	T2 X6

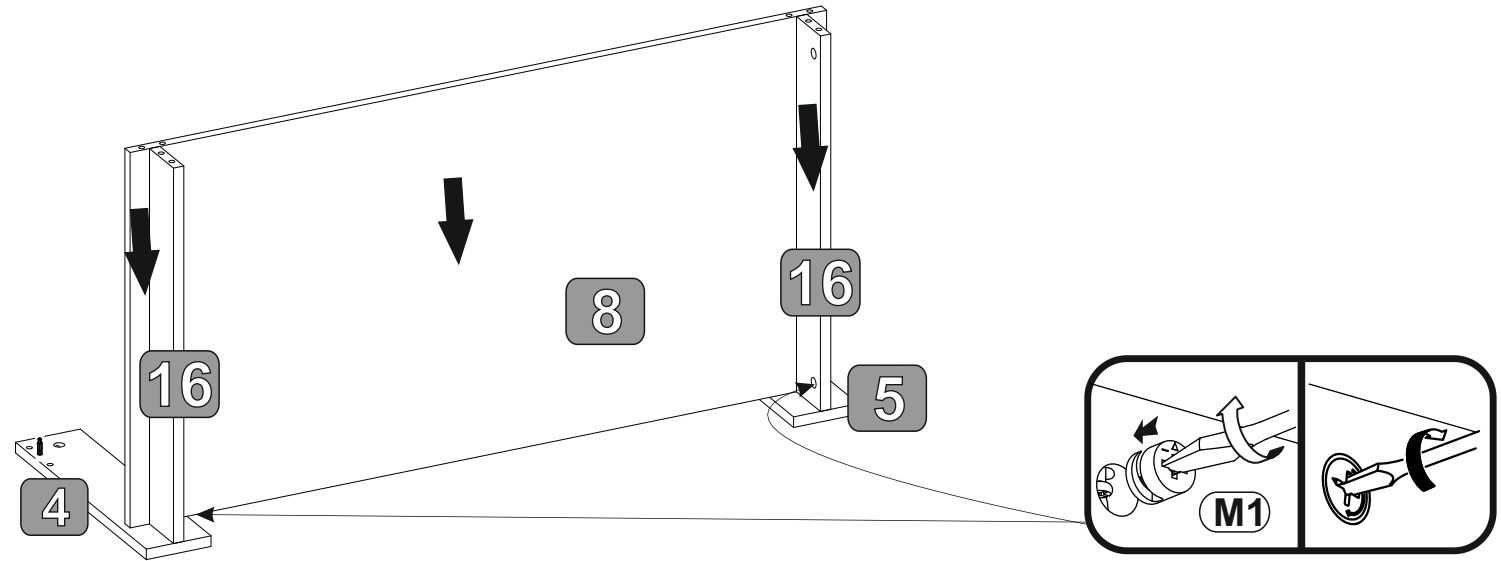
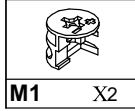


## 9

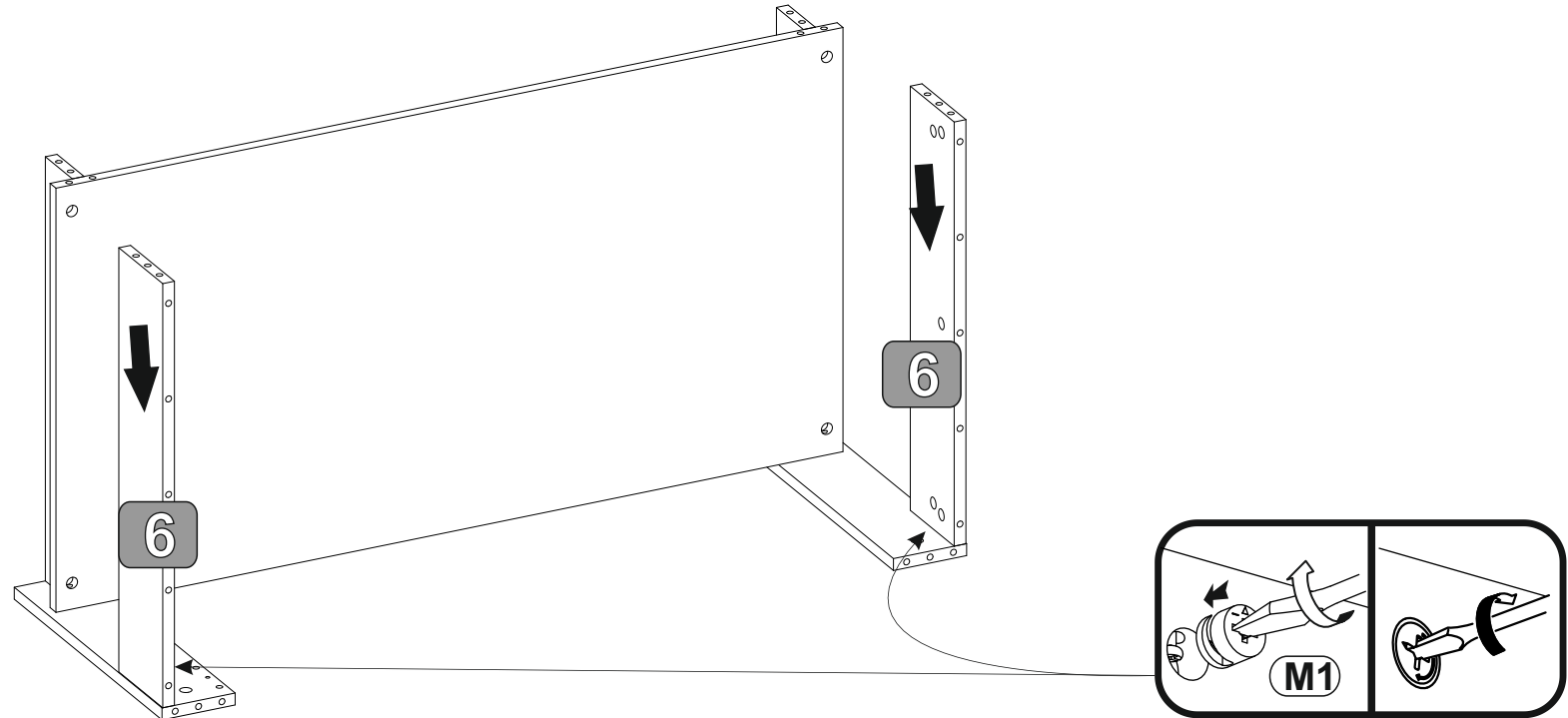
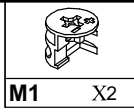

M1 X4



## 10

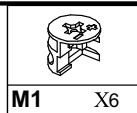


## 11

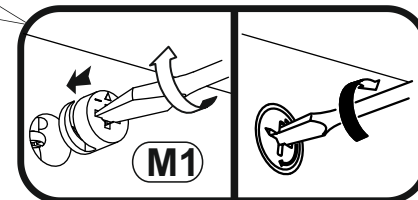
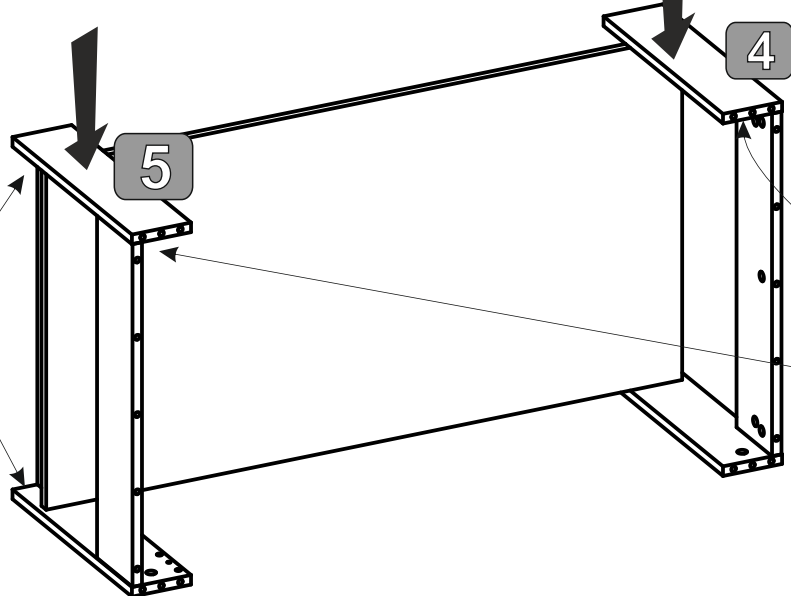
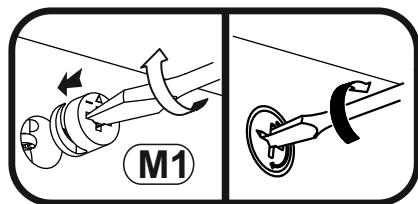




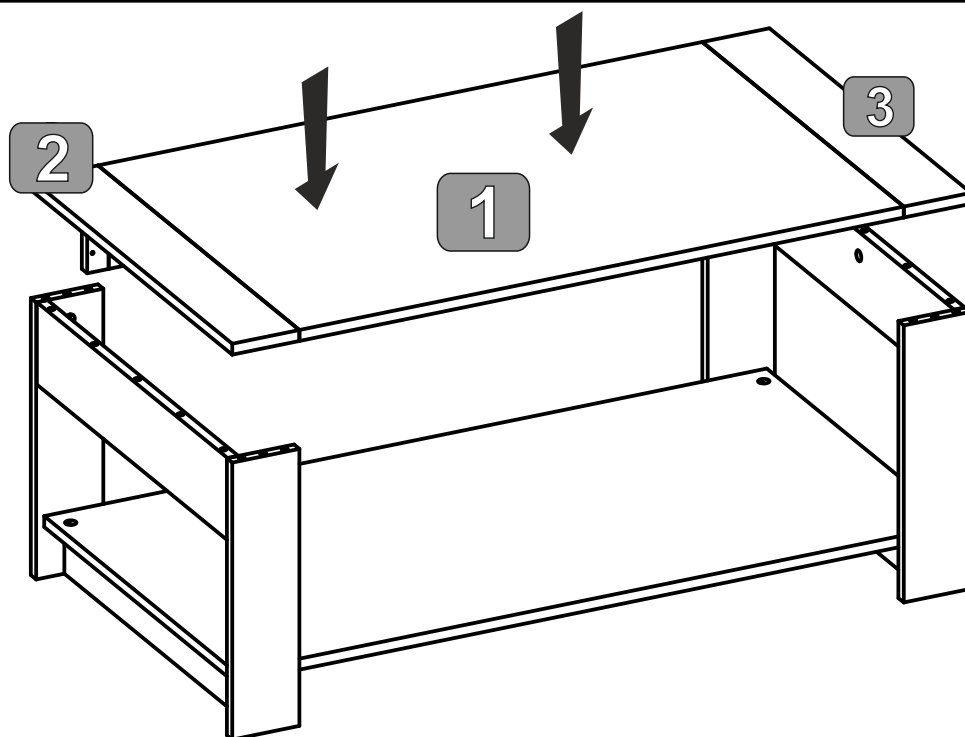
12



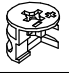

4x

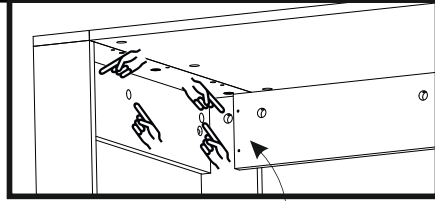


13

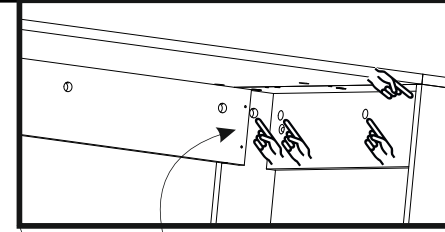
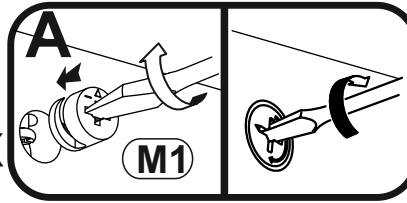


## 14

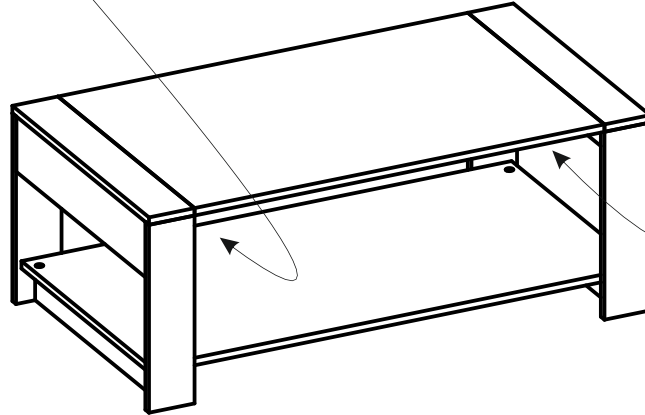
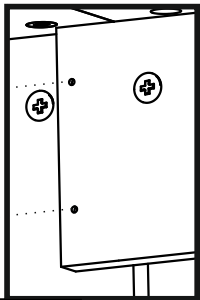
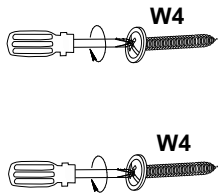
 M1	X10	 4x25	W4	X4
---	-----	---	----	----



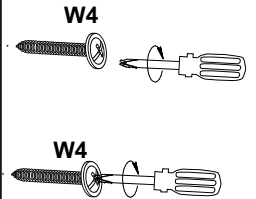
10x




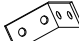

### B



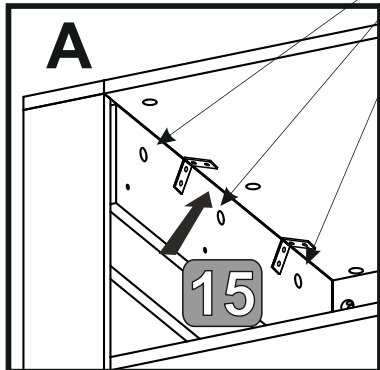
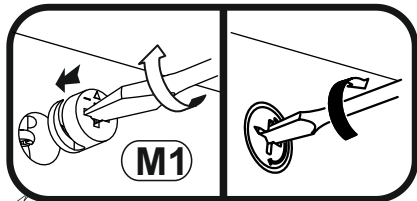
### B



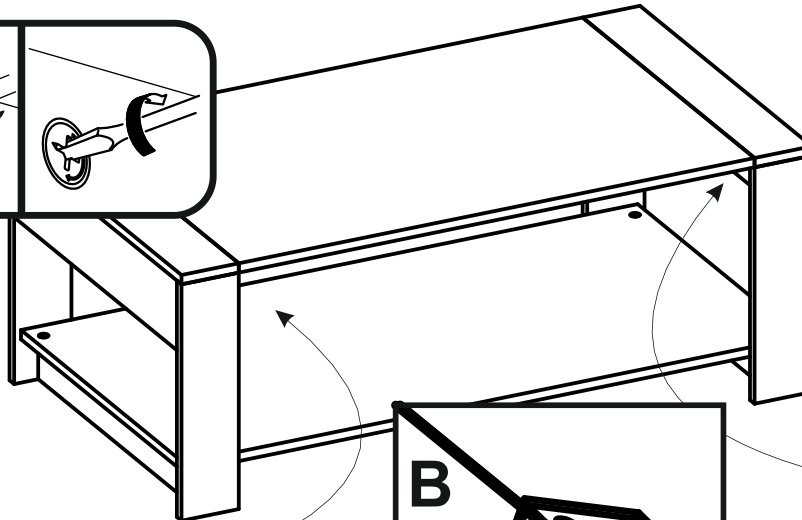
## 15

 3,5x16	X8	 Z1	X4
 M1	X6		

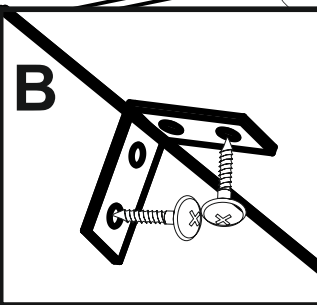
### A



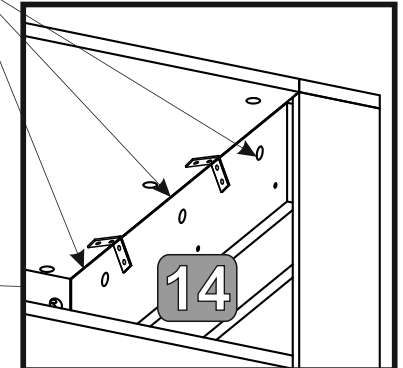
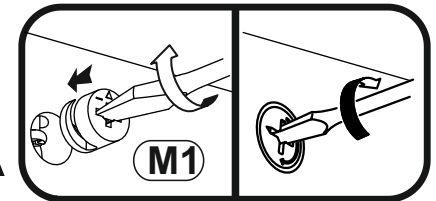
15



4x

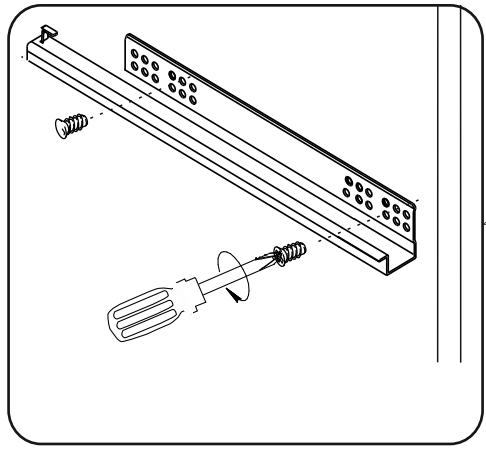
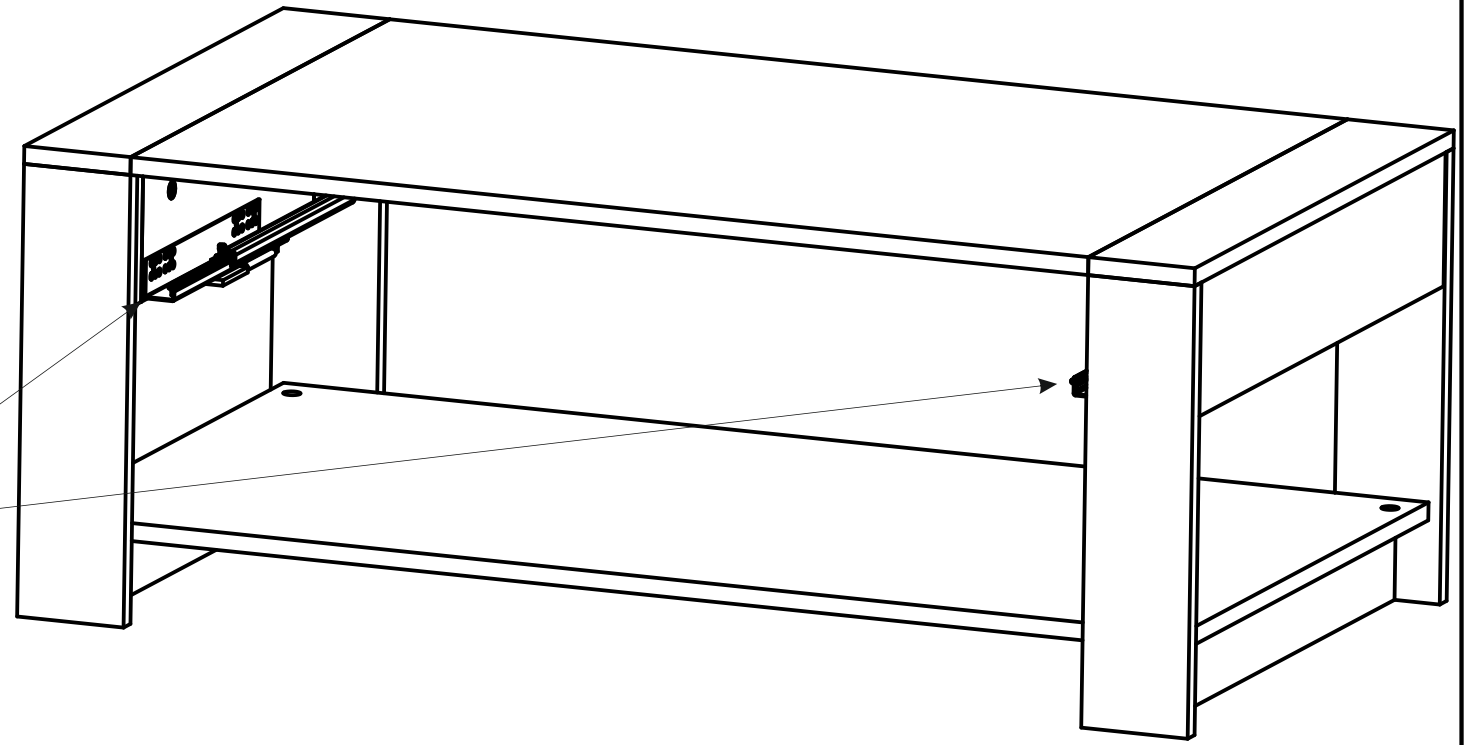
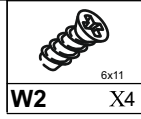
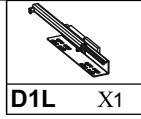
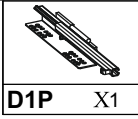


### A



14

# 16



17

