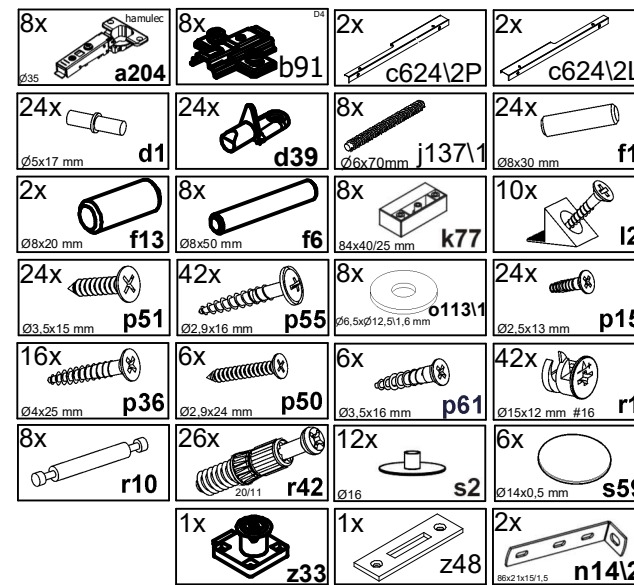
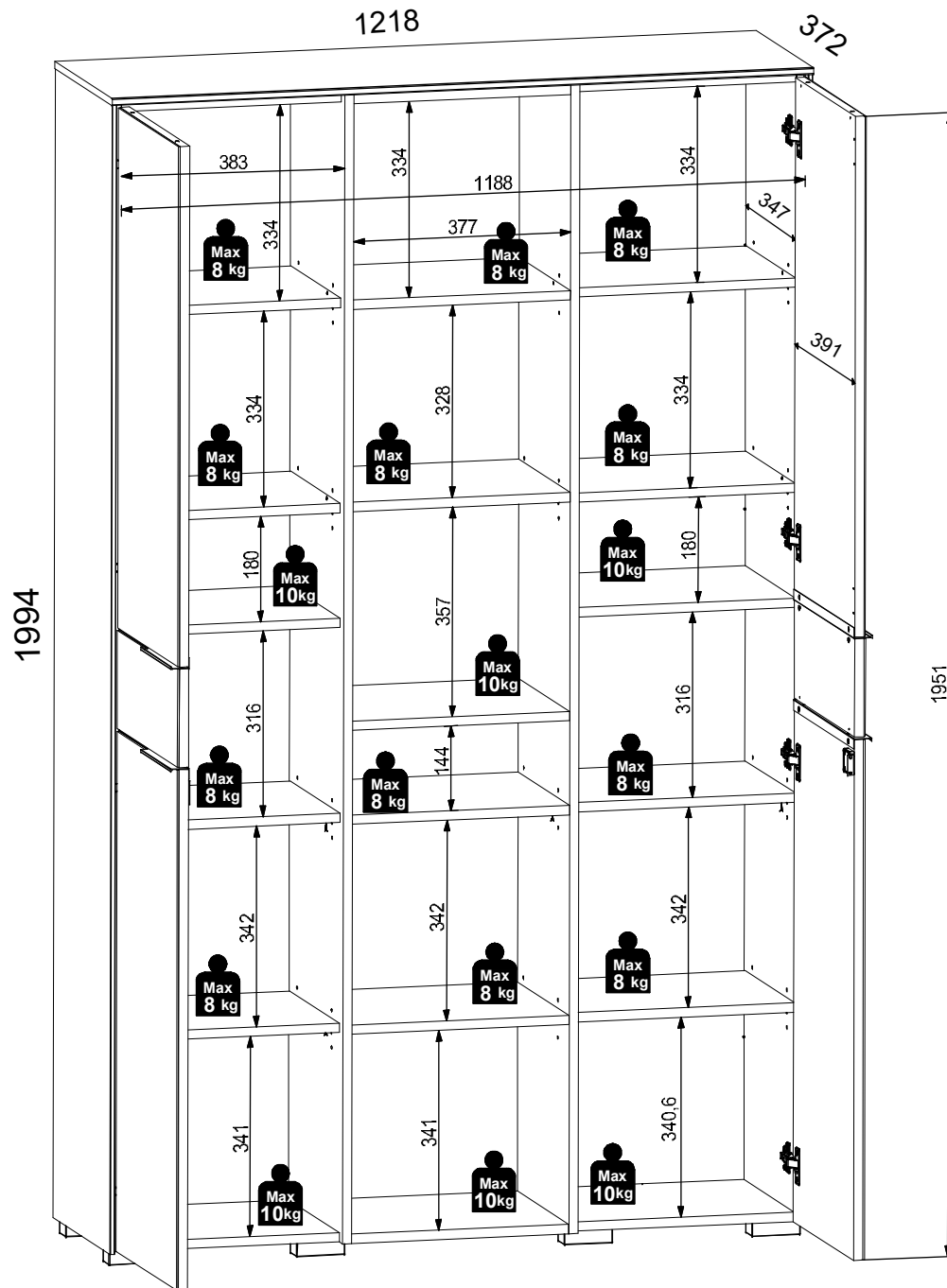
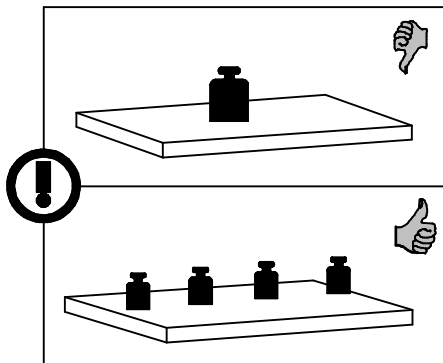


A	B1	B2	C1	C2	C3	C4	D
1	S599-1008	-	1959	370	22	1	2¼
2	S599-1009	-	1959	370	22	1	2¼
3	S599-1023	-	1959	350	16	1	3¼
4	S599-1040	-	1959	350	16	1	3¼
5	S599-2007	-	1219	372	12	1	2¼
6	S599-3013	-	382	326	16	2	4¼
7	S599-3014	-	382	348	16	1	4¼
8	S599-3015	-	377	333	16	1	4¼
9	S599-3017	-	382	321	16	8	3¼
10	S599-3018	-	377	333	16	2	4¼
11	S599-3034	-	382	326	16	1	4¼
12	S599-3036	-	382	326	16	1	4¼
13	S599-3037	-	382	348	16	1	4¼
14	S599-3038	-	377	333	16	4	4¼
15	S599-4301	-	1959	377	16	1	4¼
16	S599-7301	-	391	168	19	2	1¼
17	S599-7303	-	888	391	19	3	1¼
18	S599-7304	-	888	391	19	1	1¼
19	S599-9001	-	1947	402	2,5	2	2¼

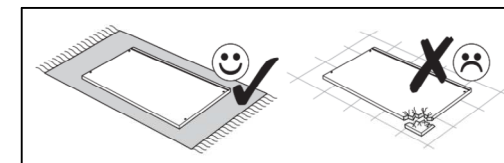
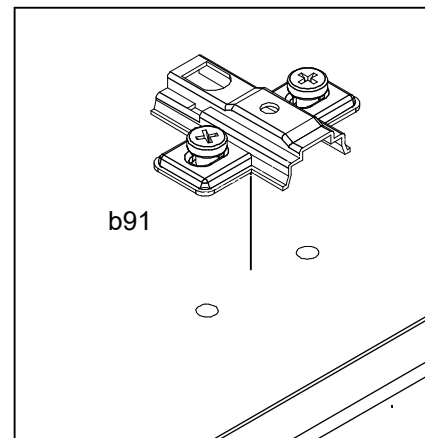
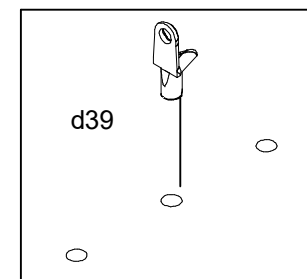
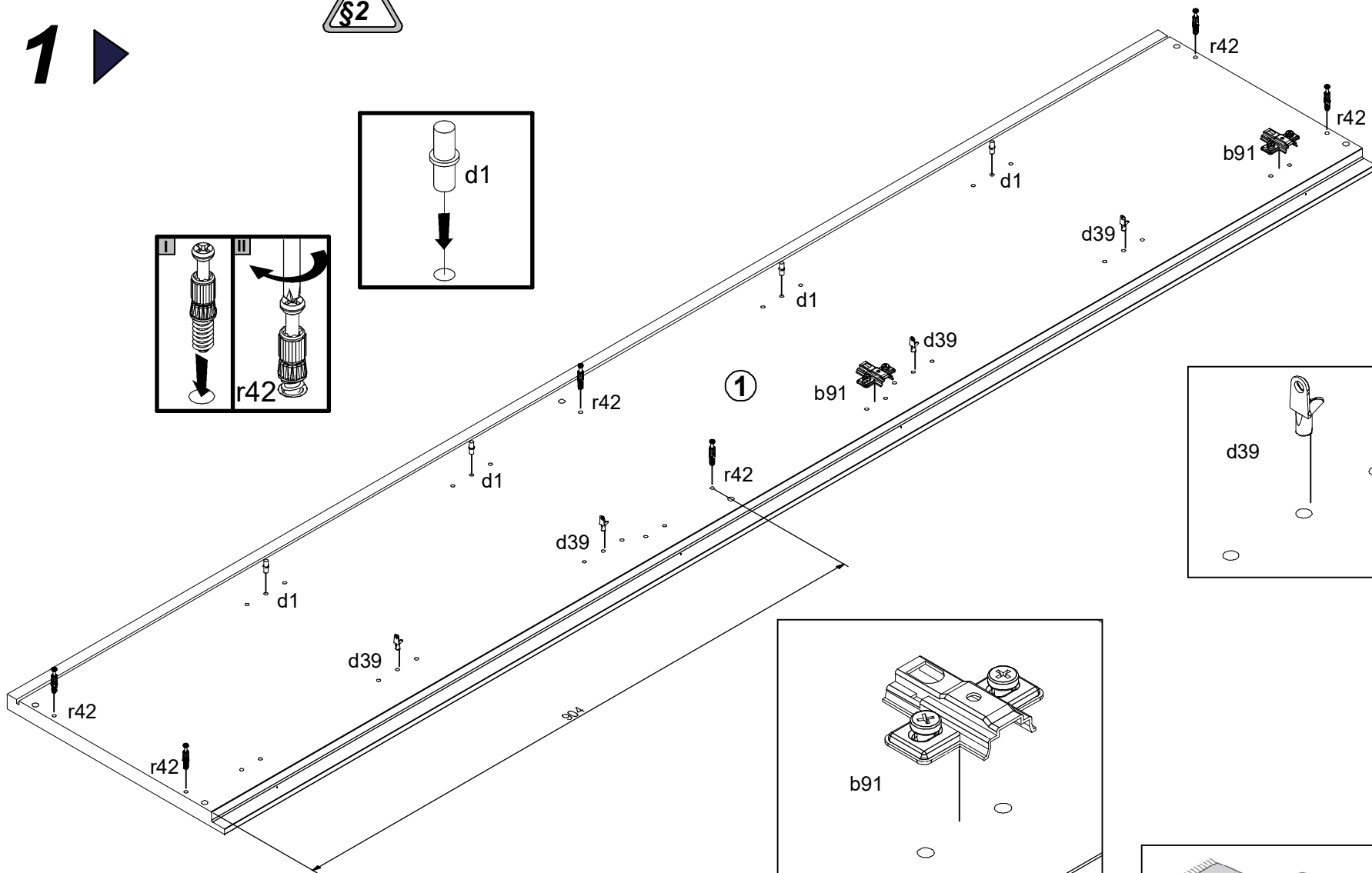
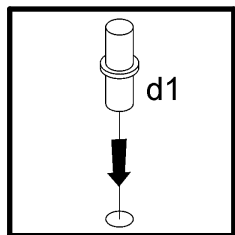
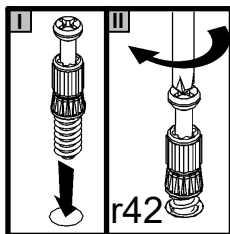



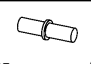




1994

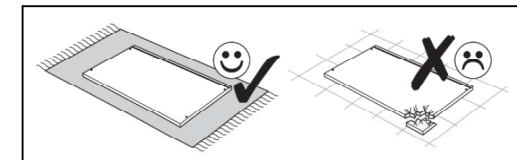
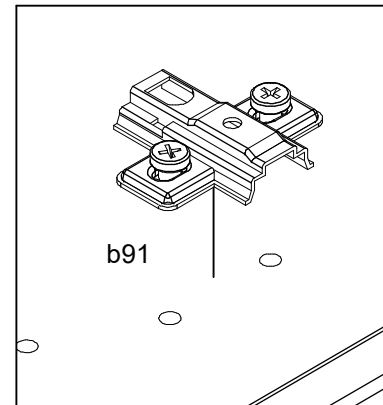
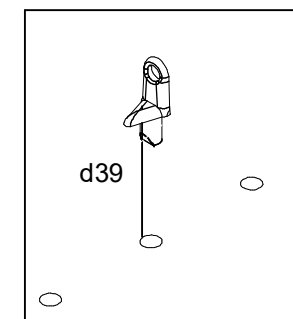
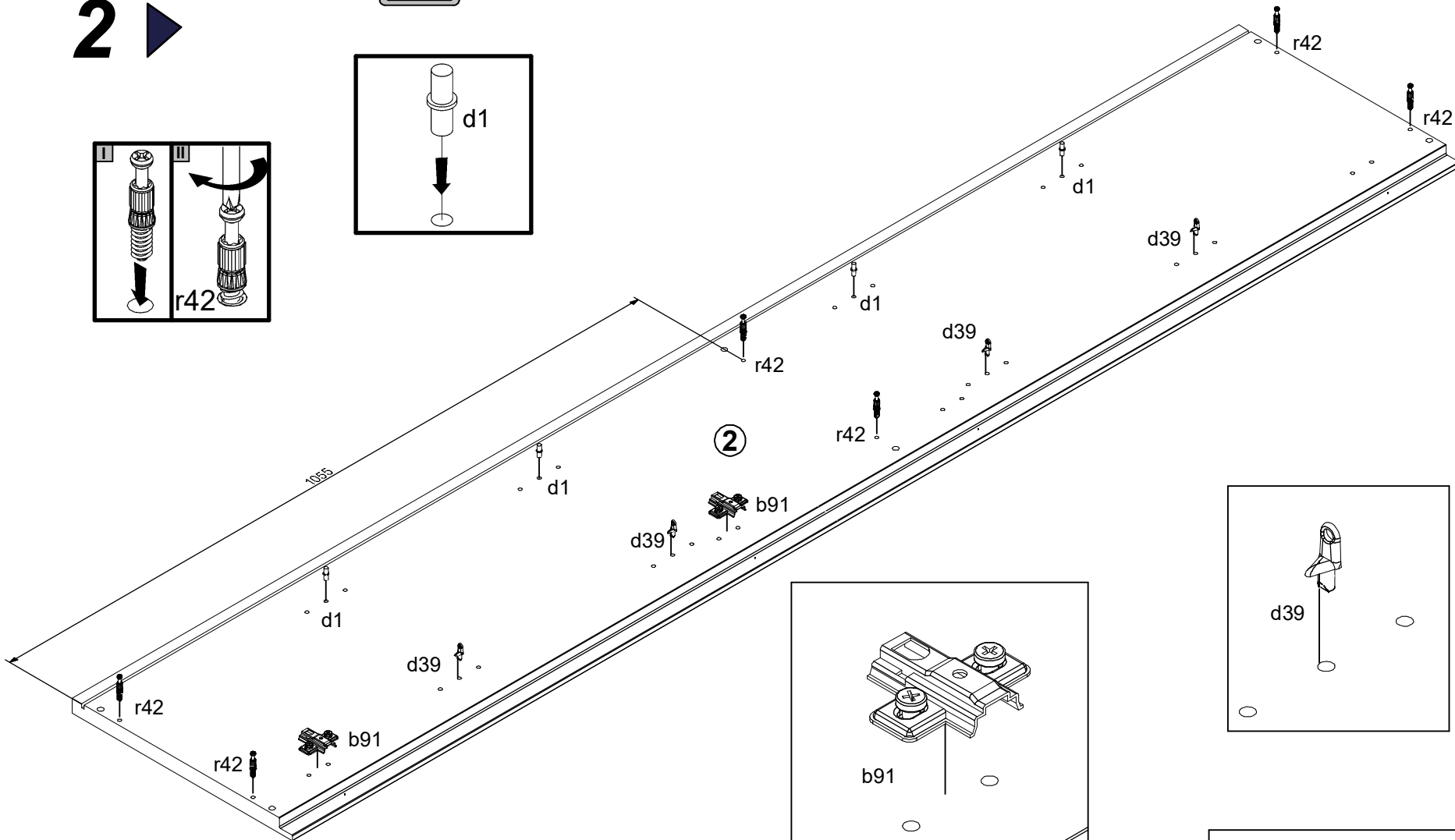
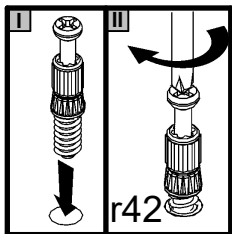
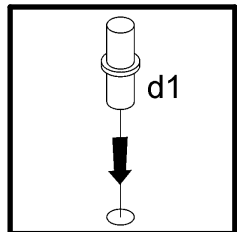


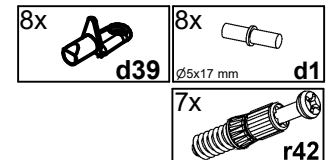
1 ▶



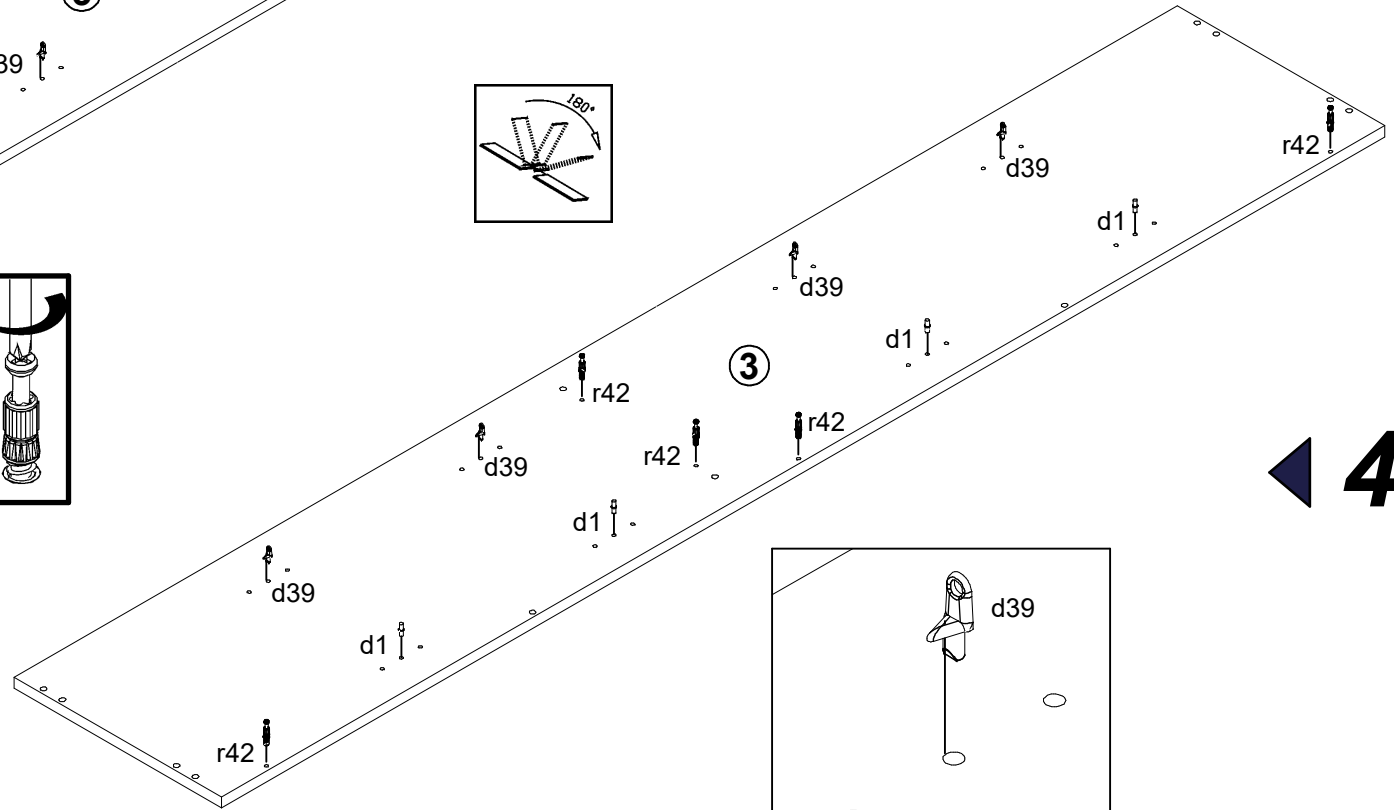
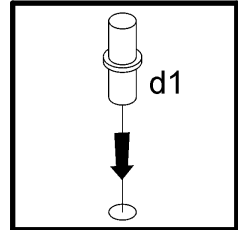
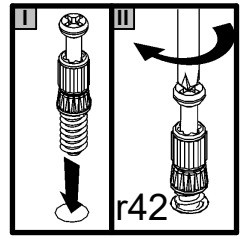
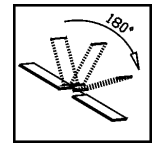
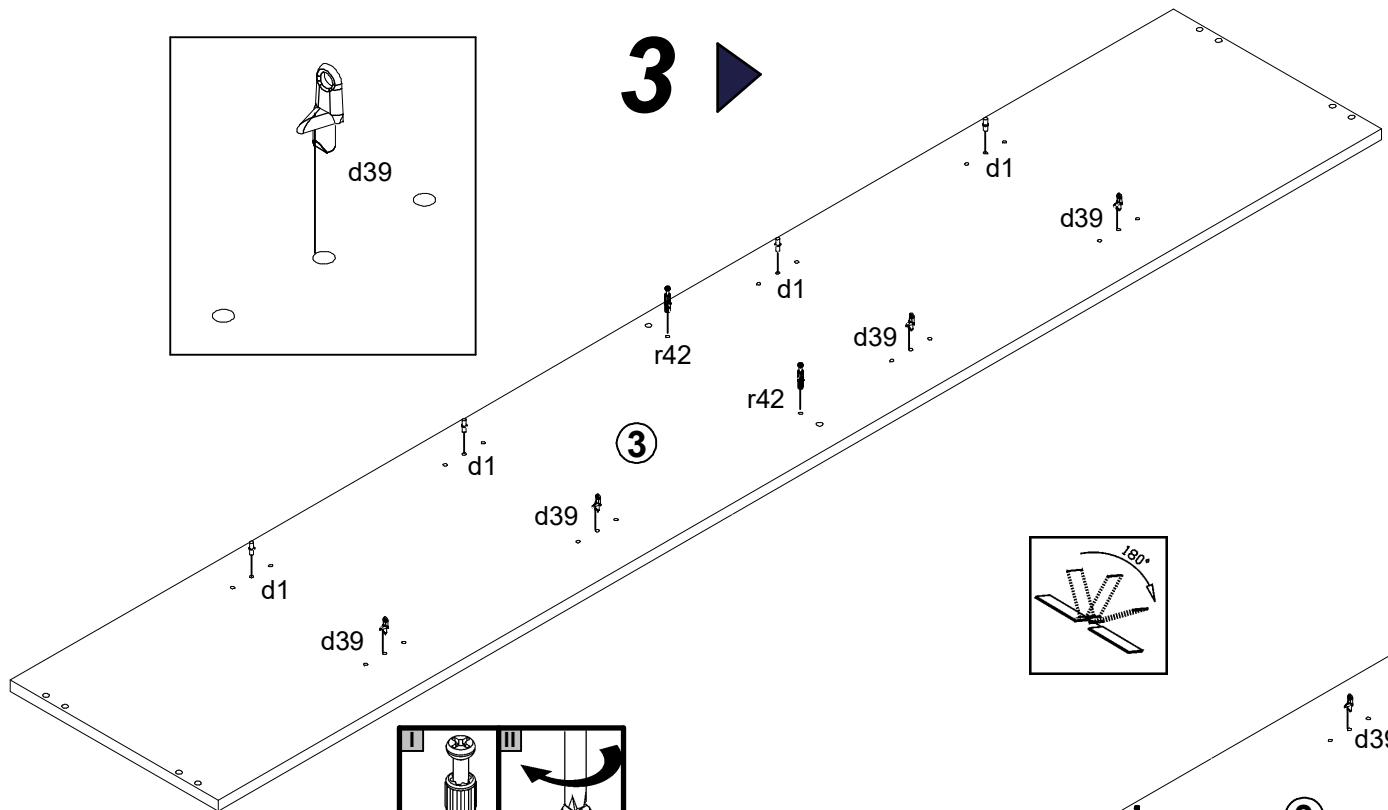
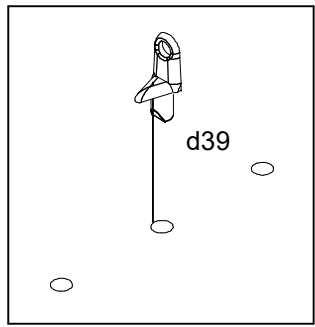
- 4x  d39
- 4x  d1
- 2x  b91
- 6x  r42

2 ▶

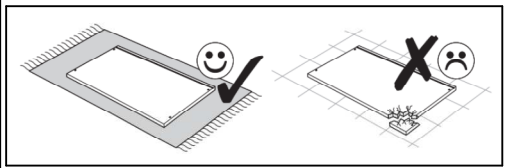
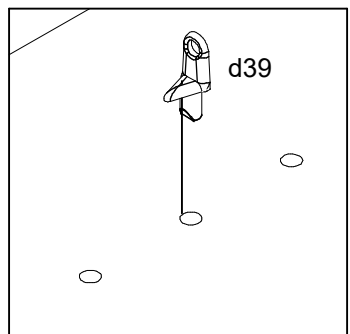




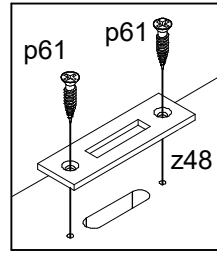
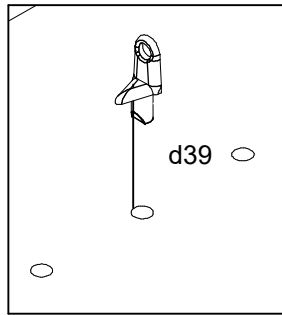
**3** ▶



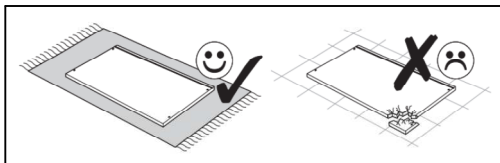
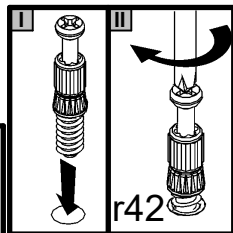
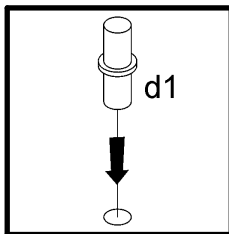
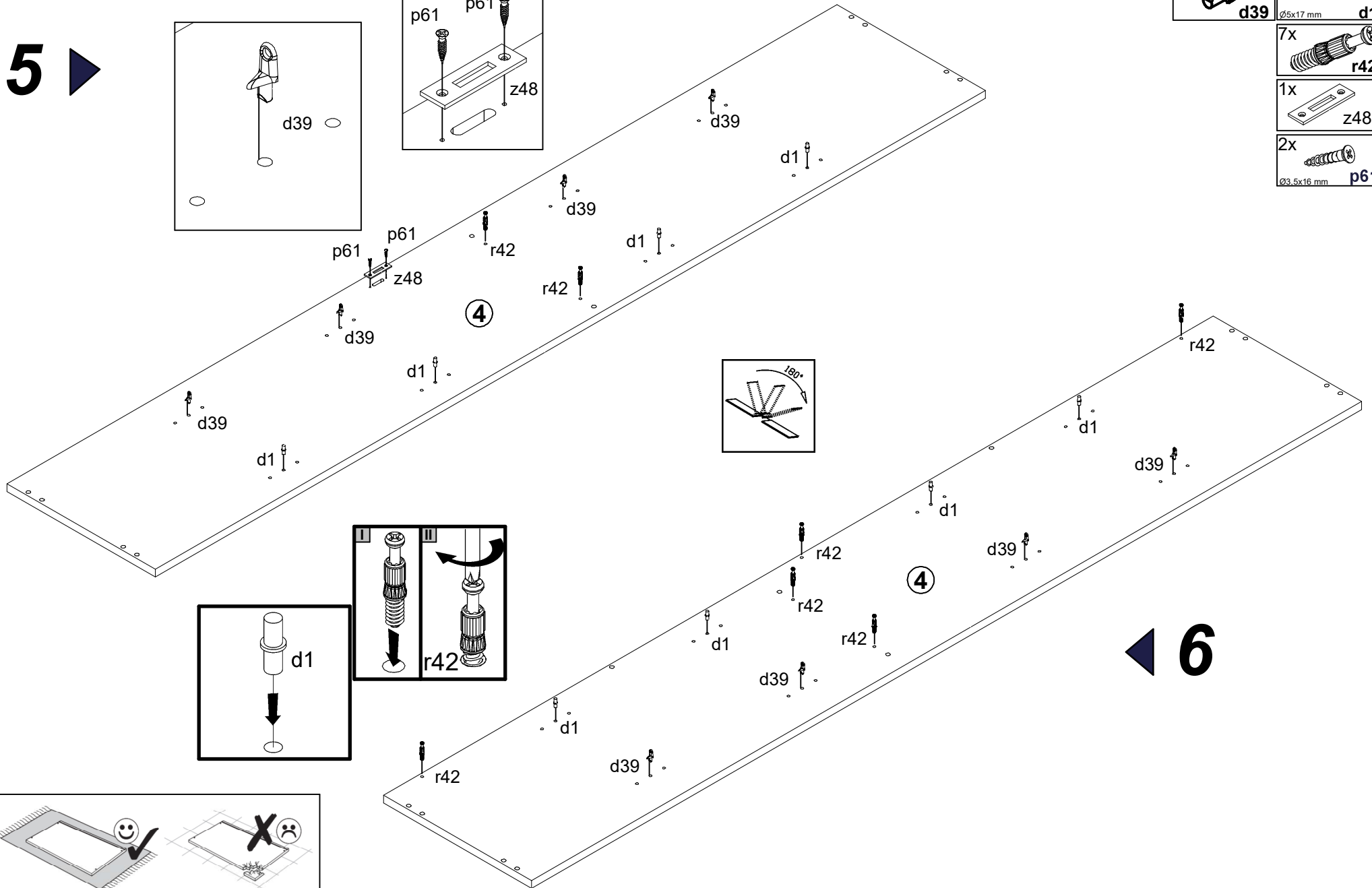
◀ **4**



5 ▶



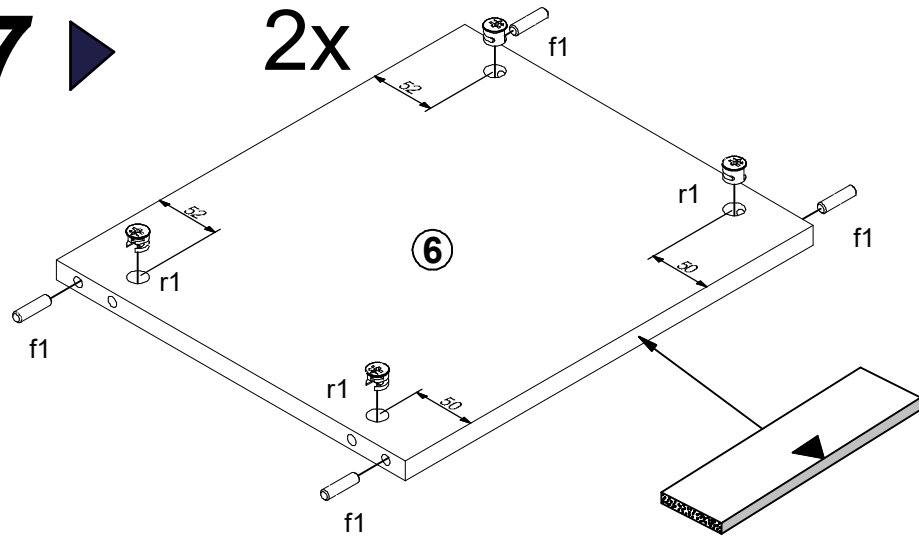
- 8x d39
- 8x  $\varnothing 5 \times 17$  mm d1
- 7x r42
- 1x z48
- 2x  $\varnothing 3.5 \times 16$  mm p61

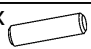




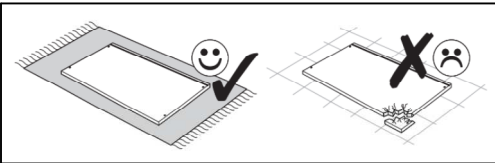
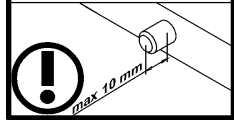
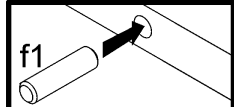
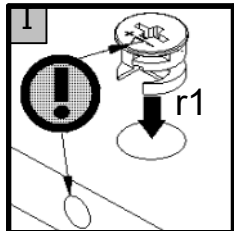
7 ▶

2x

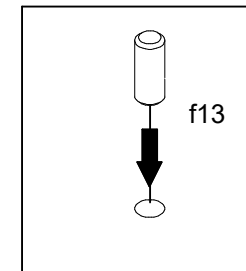
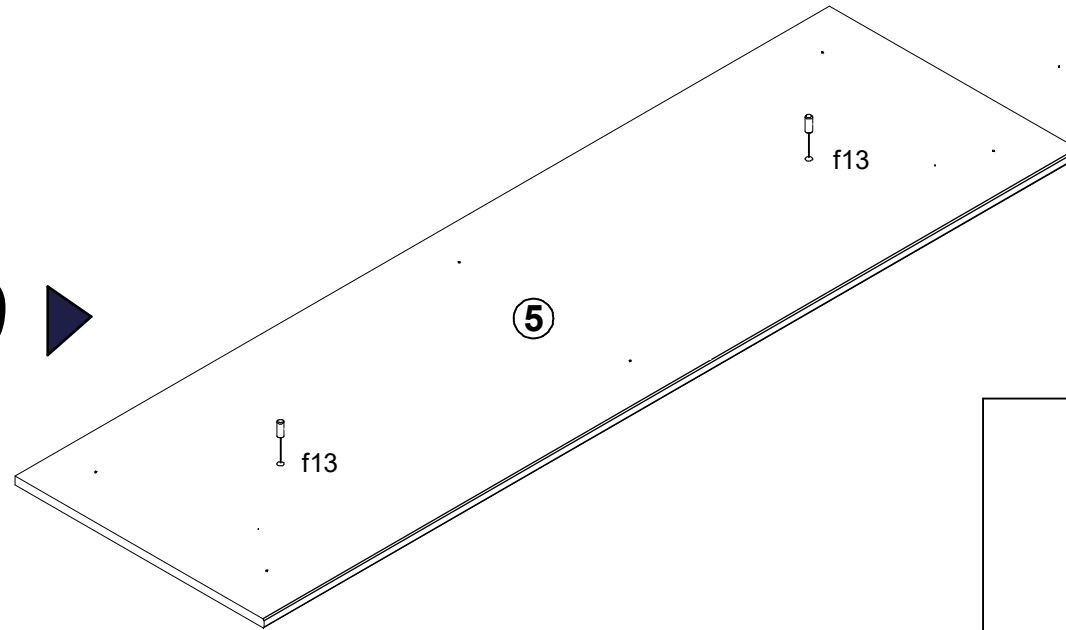
8 ▶



- 12x  f1  
Ø8x30 mm
- 12x  r1  
Ø15x12 mm #16
- 2x  f13  
Ø8x20 mm



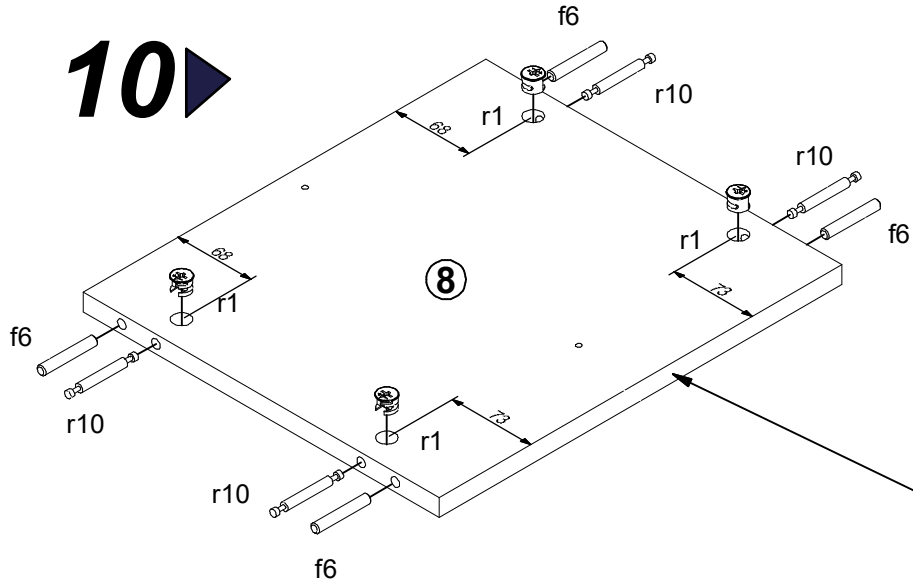
9 ▶



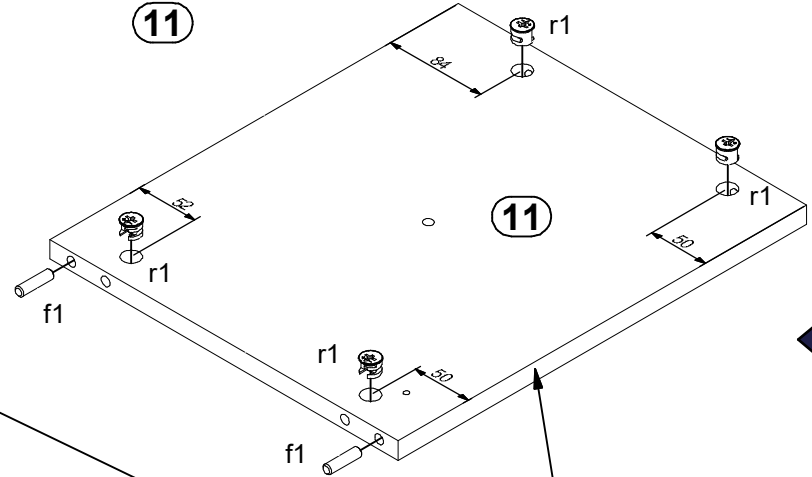


- 4x  $\varnothing 8 \times 50$  mm f6
- 4x  $\varnothing 8 \times 30$  mm f1
- 4x r10
- 12x  $\varnothing 15 \times 12$  mm #16 r1

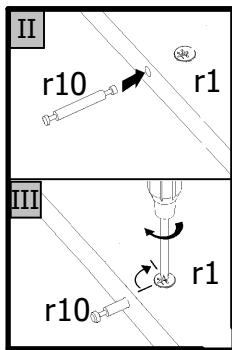
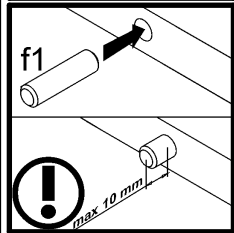
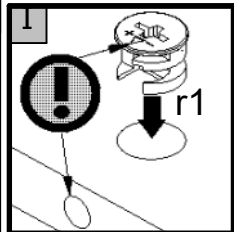
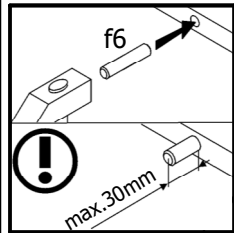
10 ▶



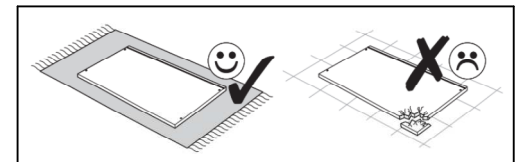
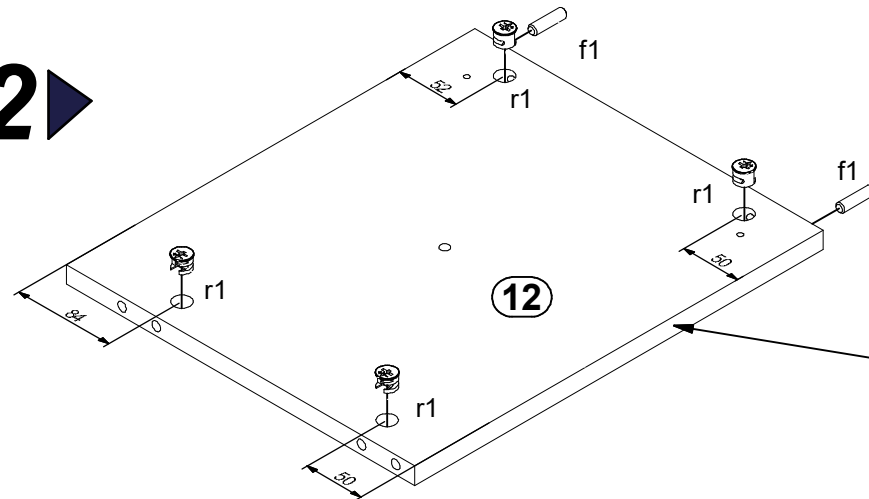
11

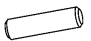



▶ 11



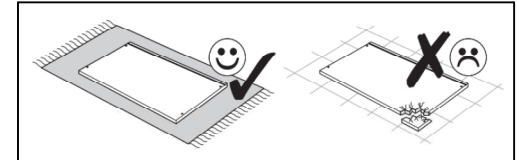
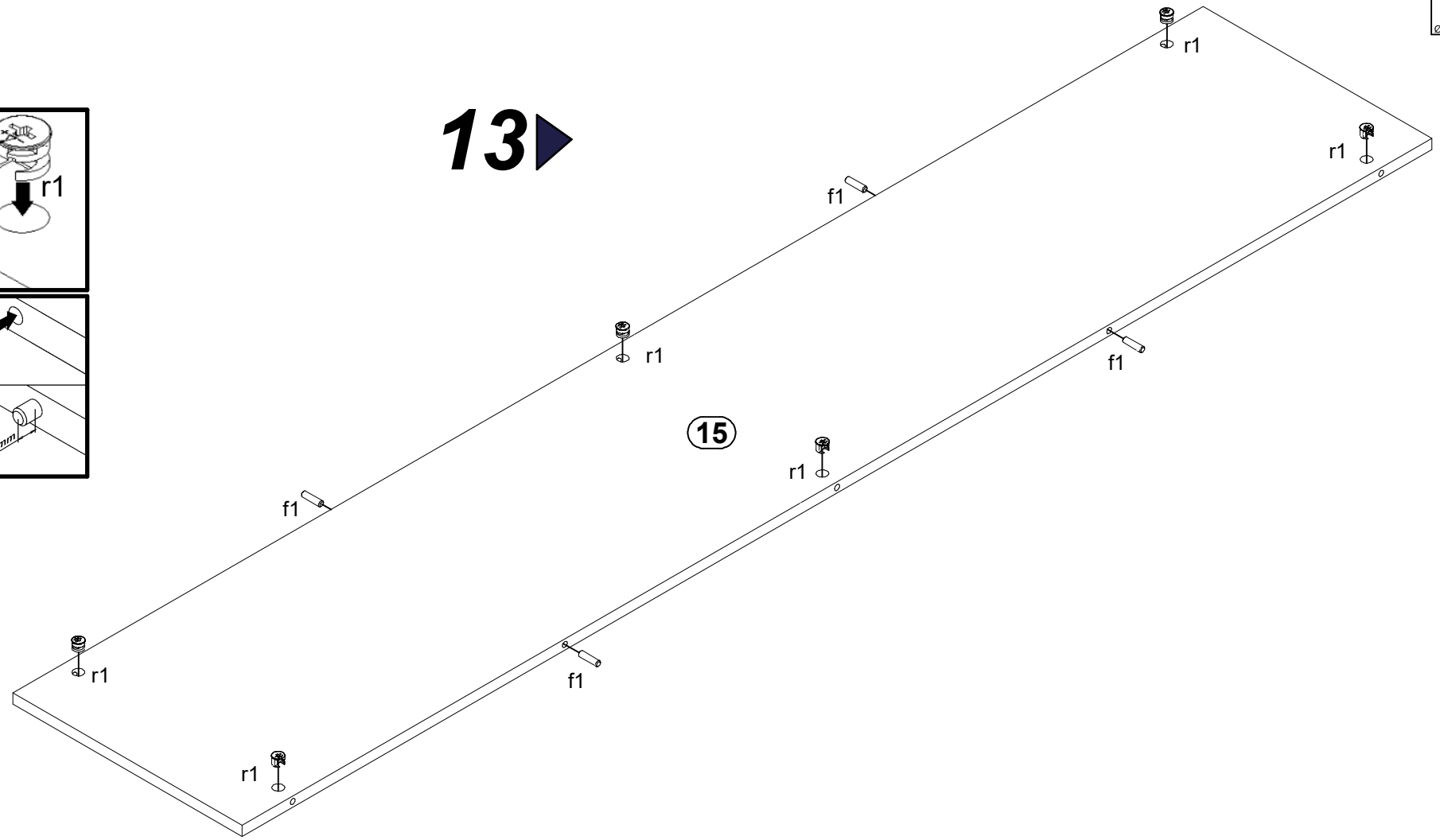
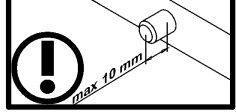
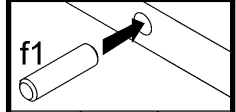
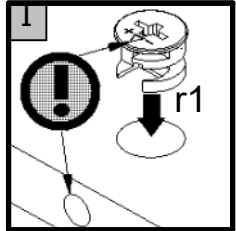
12 ▶



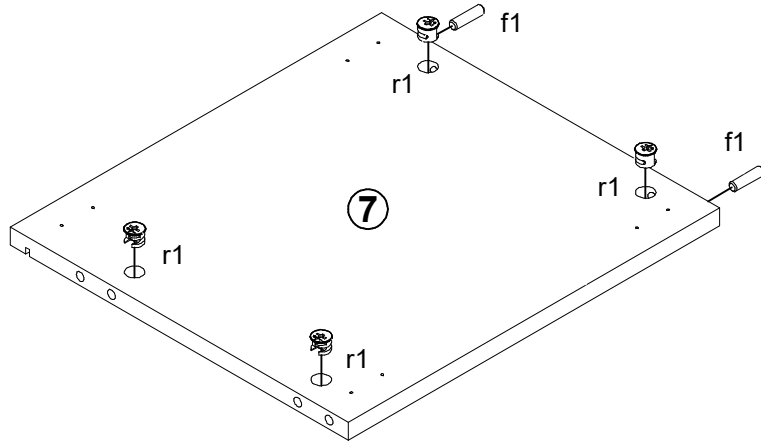
- 4x  f1  
Ø8x30 mm
- 6x  r1  
Ø15x12 mm #16

13 ▶

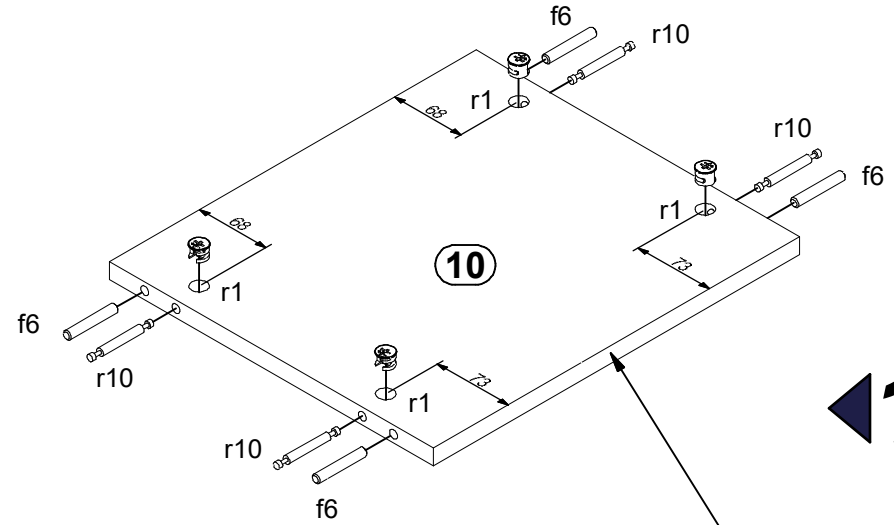
15



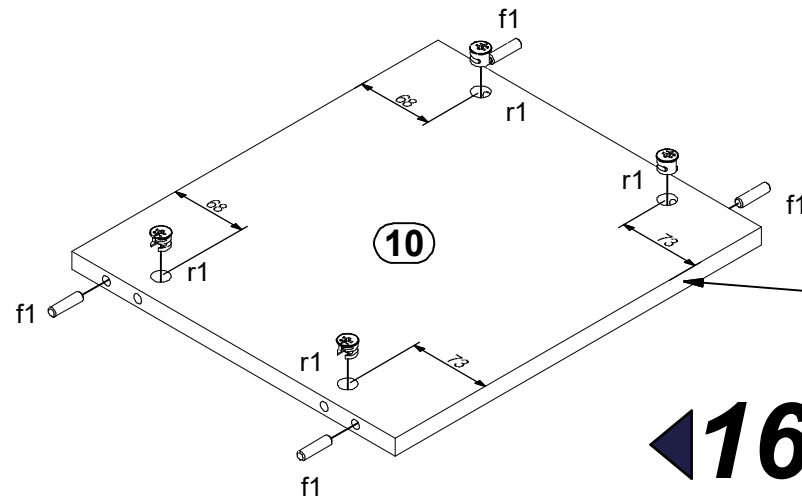
14 ▶



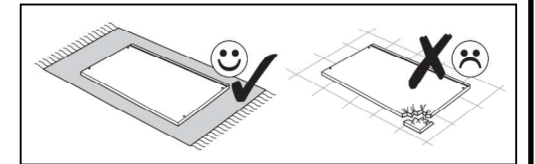
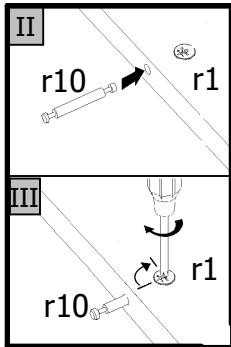
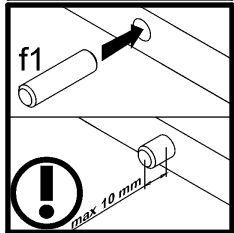
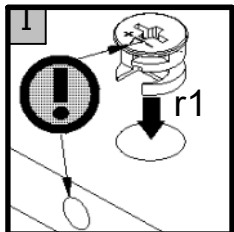
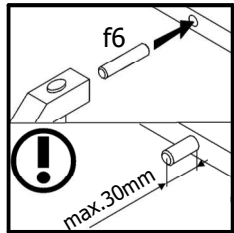
- 4x  $\varnothing 8 \times 50$  mm f6
- 6x  $\varnothing 8 \times 30$  mm f1
- 4x r10
- 12x  $\varnothing 15 \times 12$  mm #16 r1



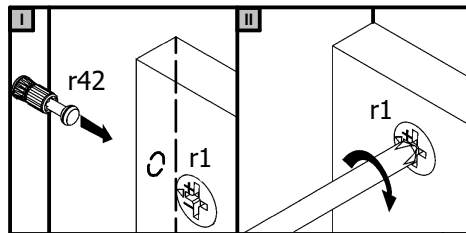
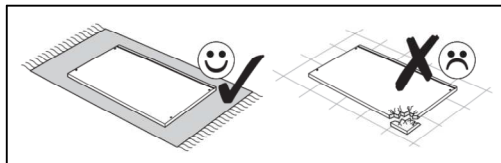
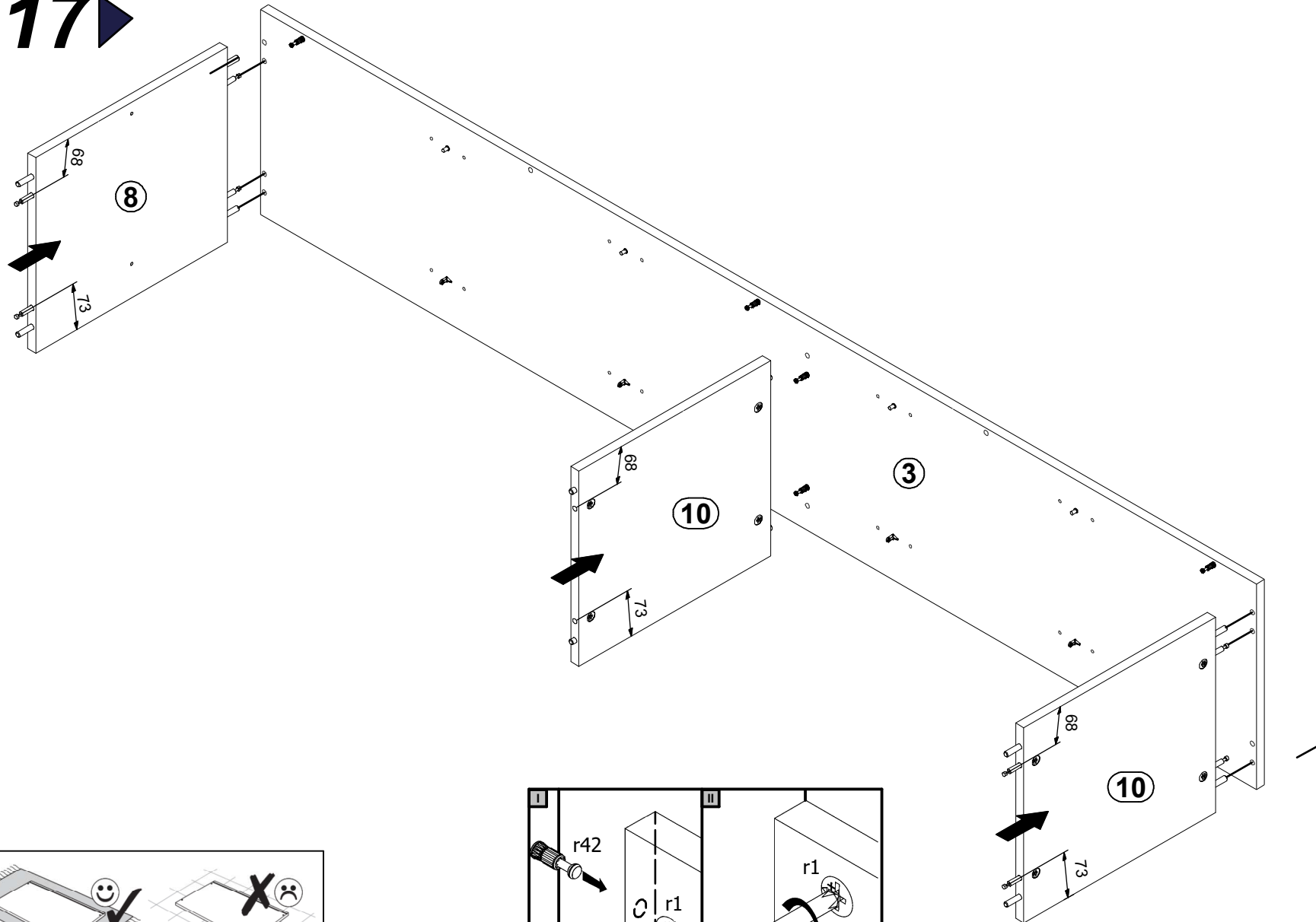
◀ 15



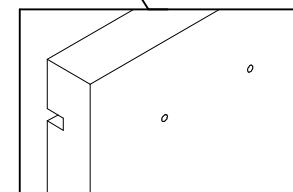
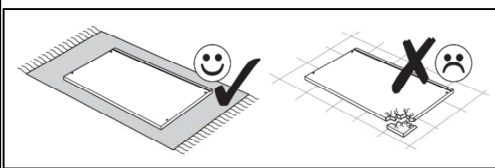
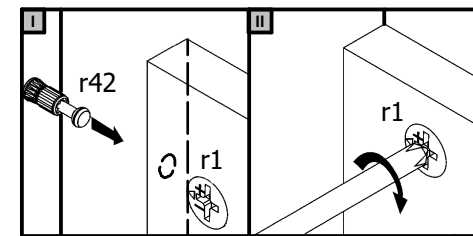
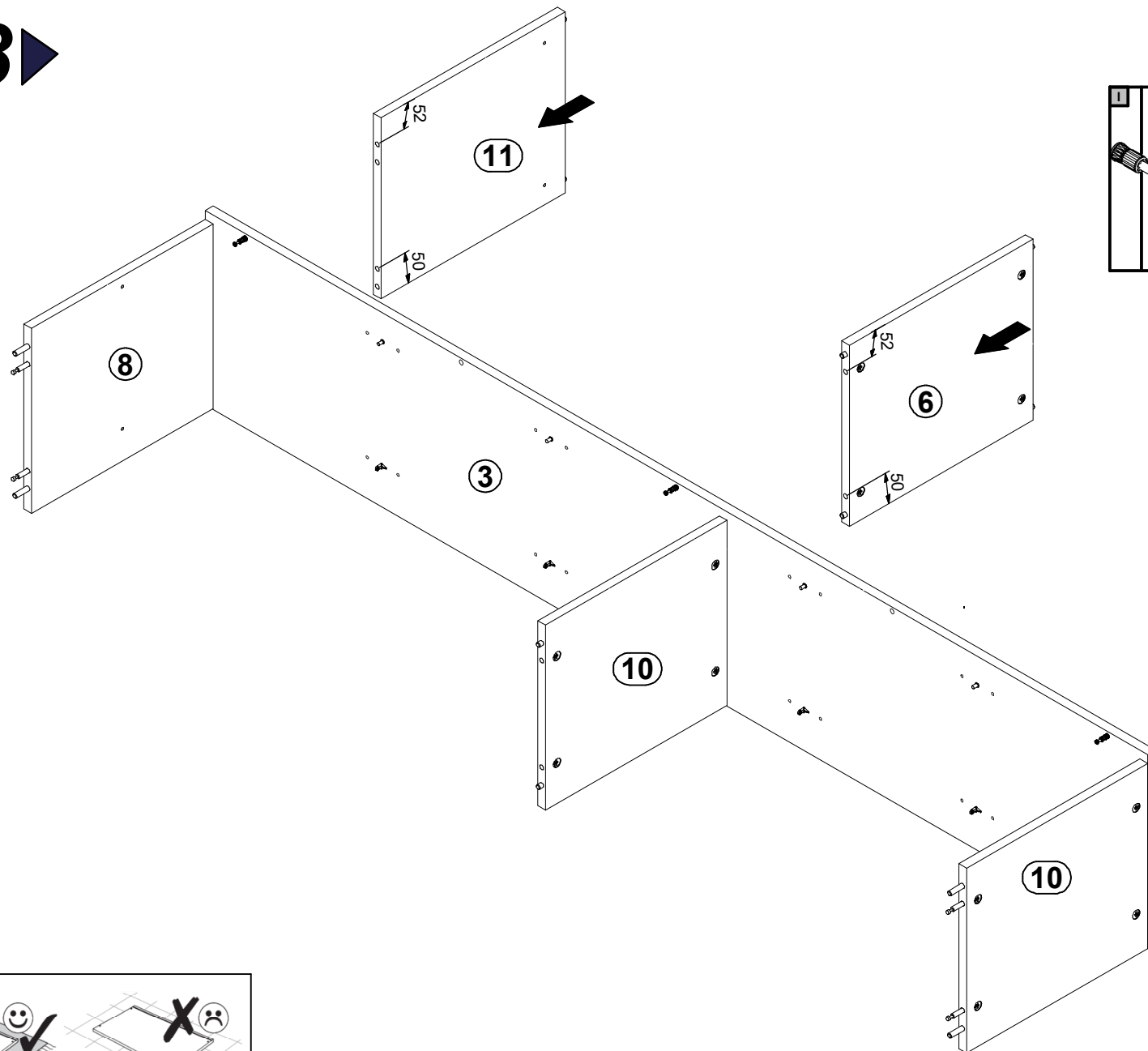
◀ 16



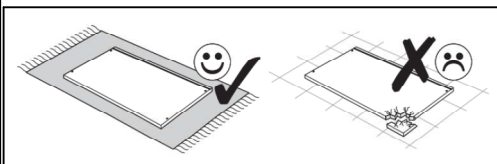
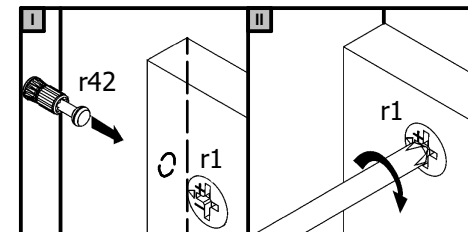
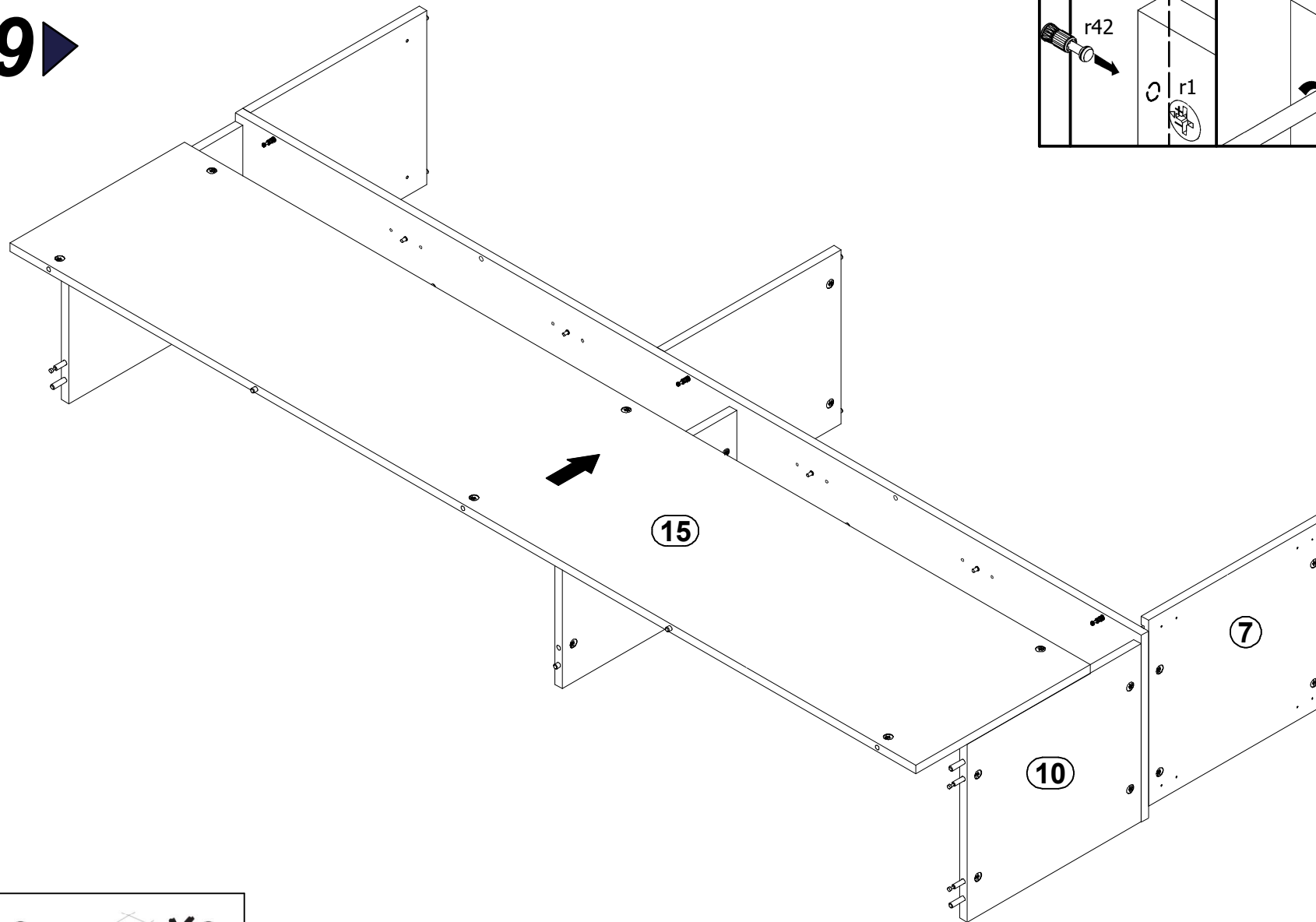
17 ▶



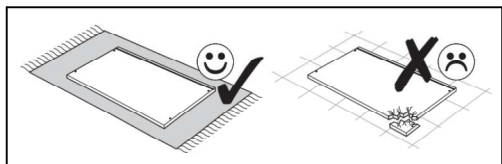
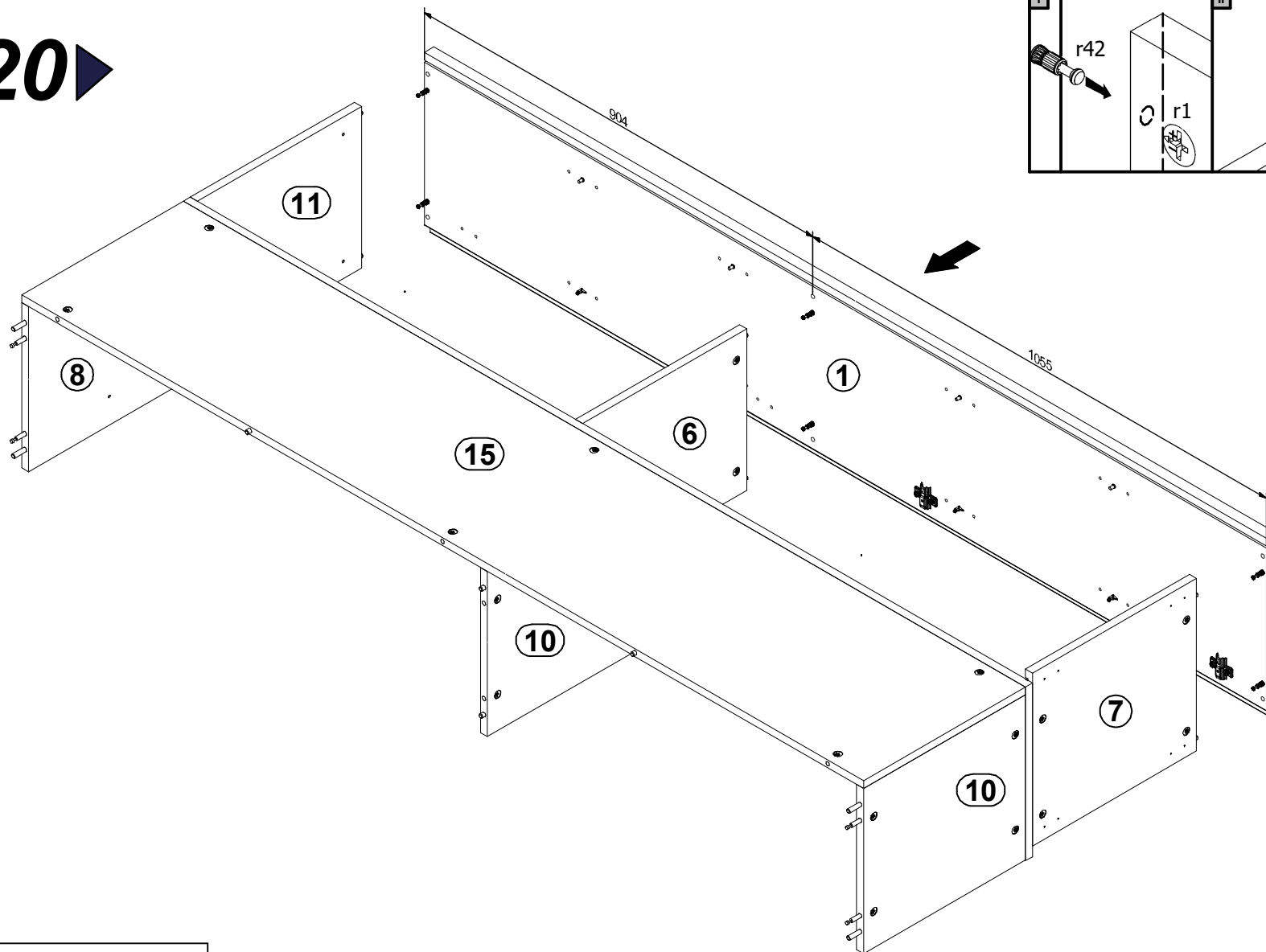
18 ▶



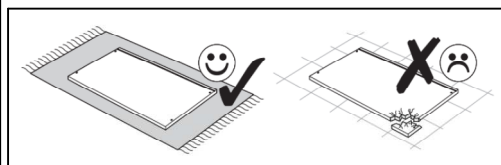
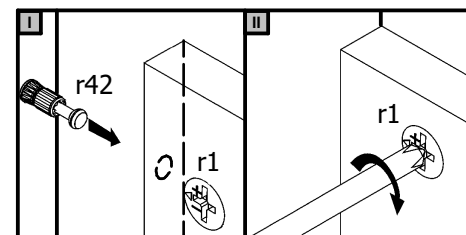
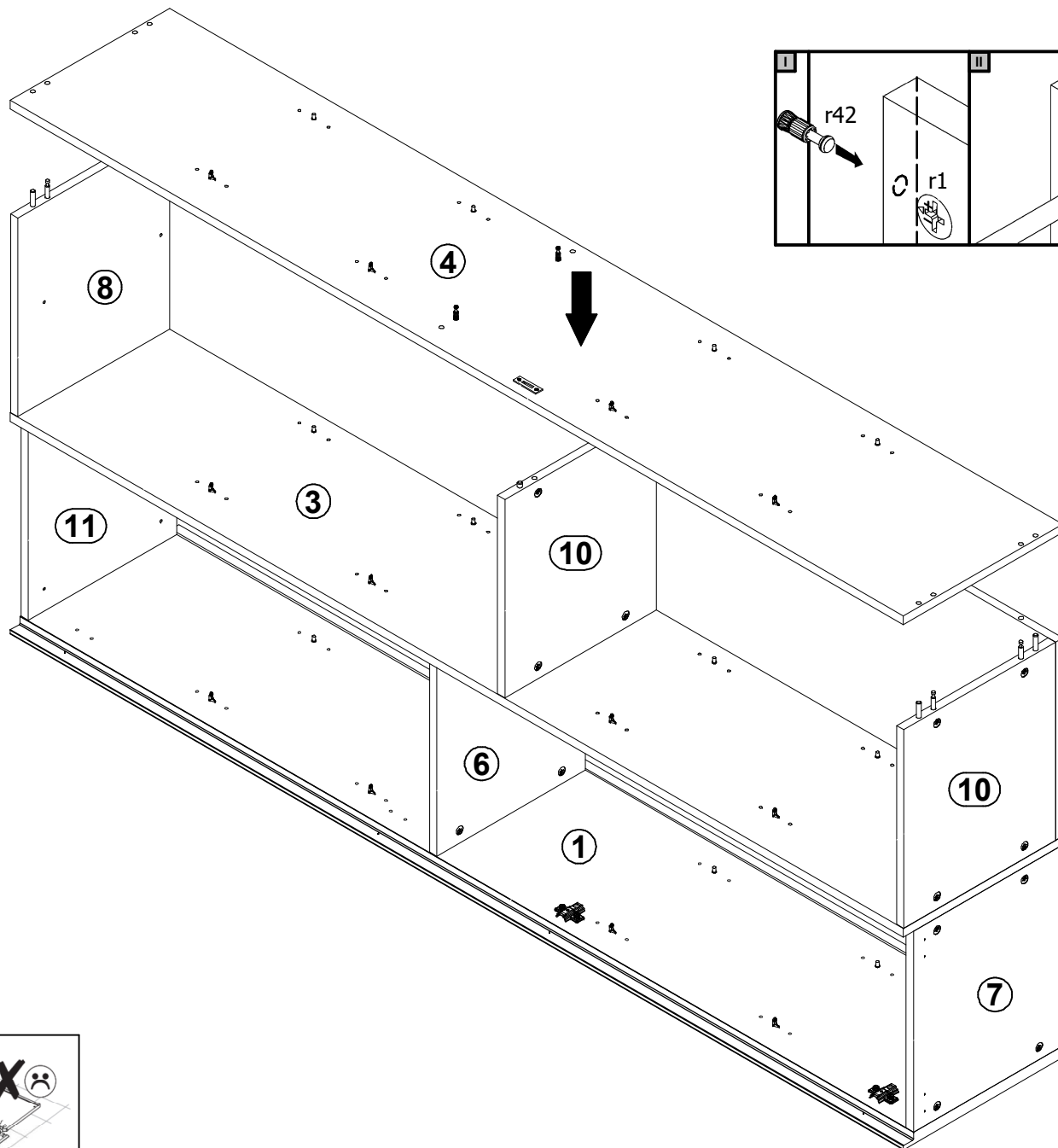
19 ▶



20 ▶

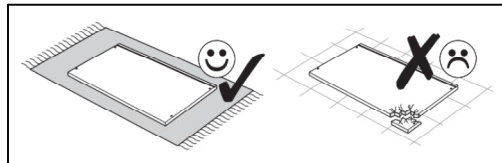
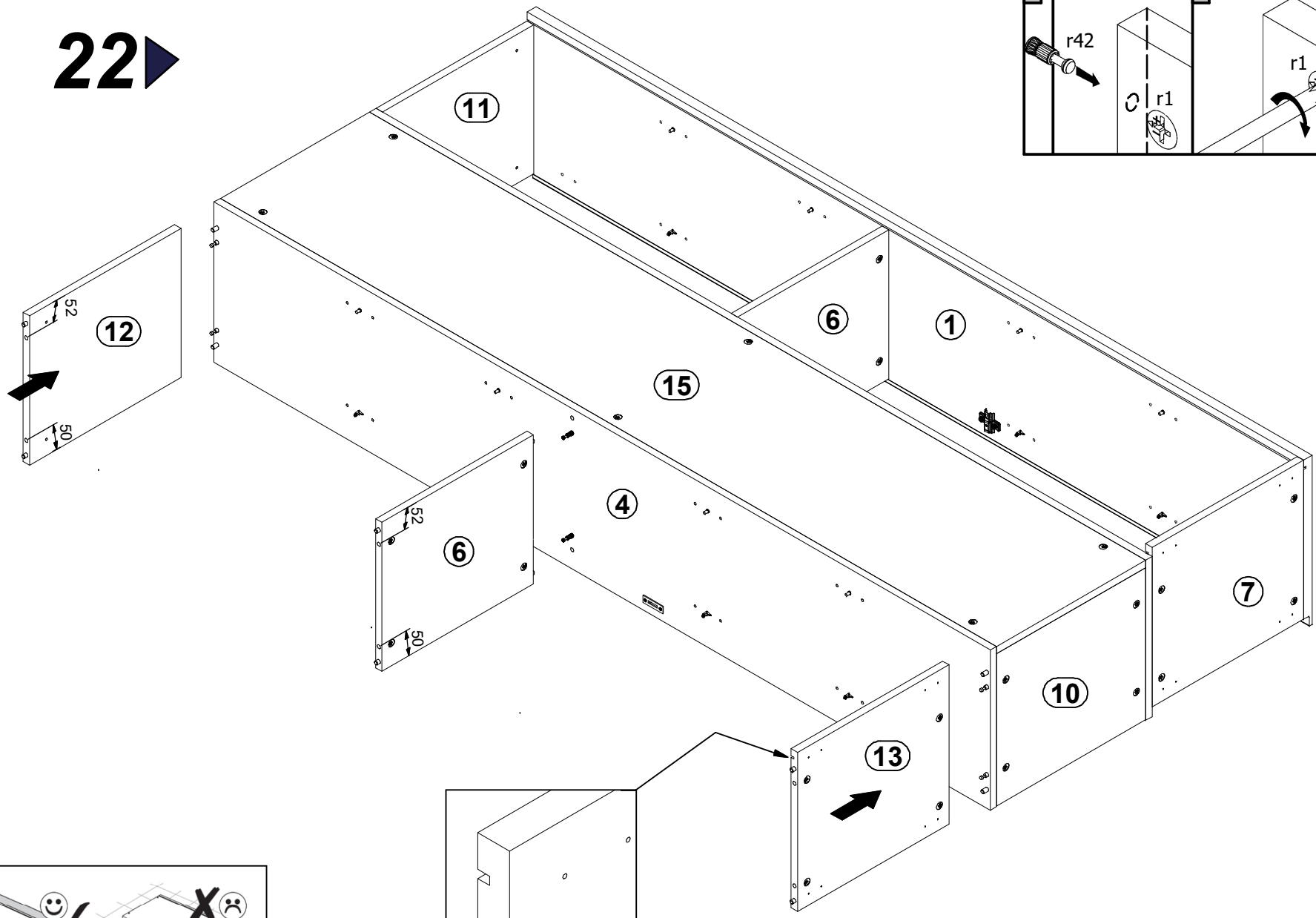
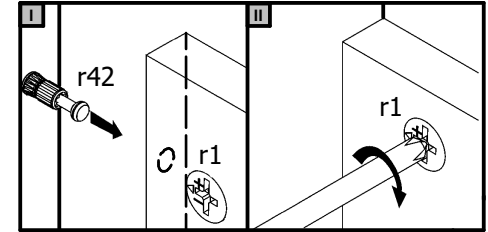


21 ▶

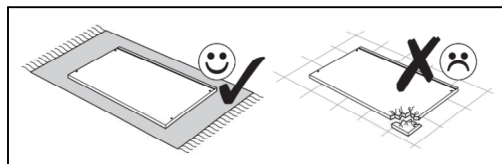
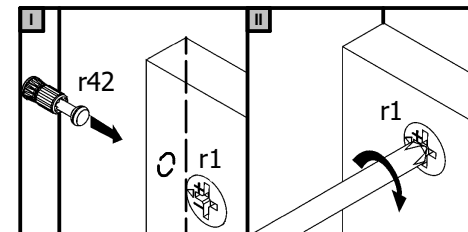
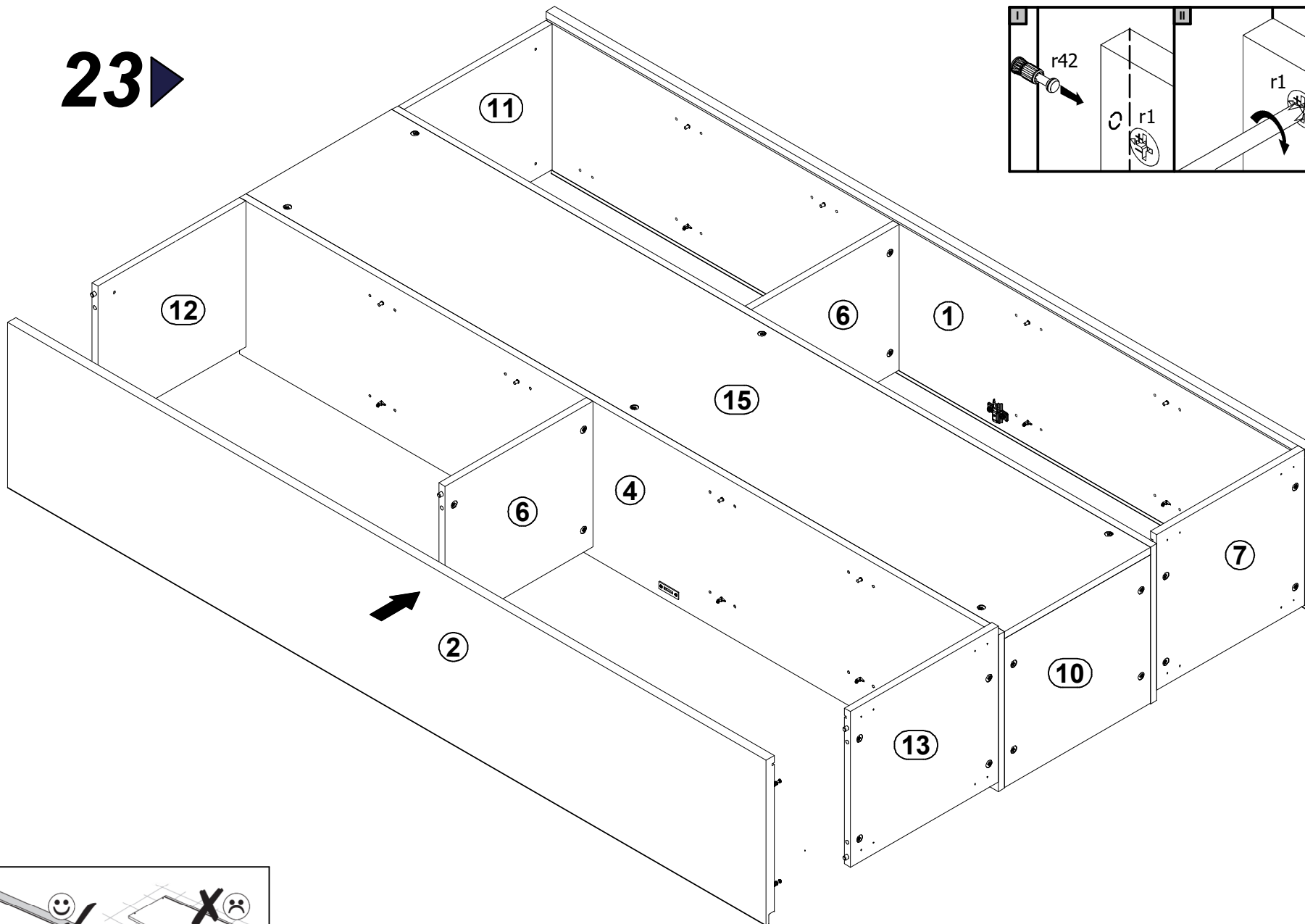


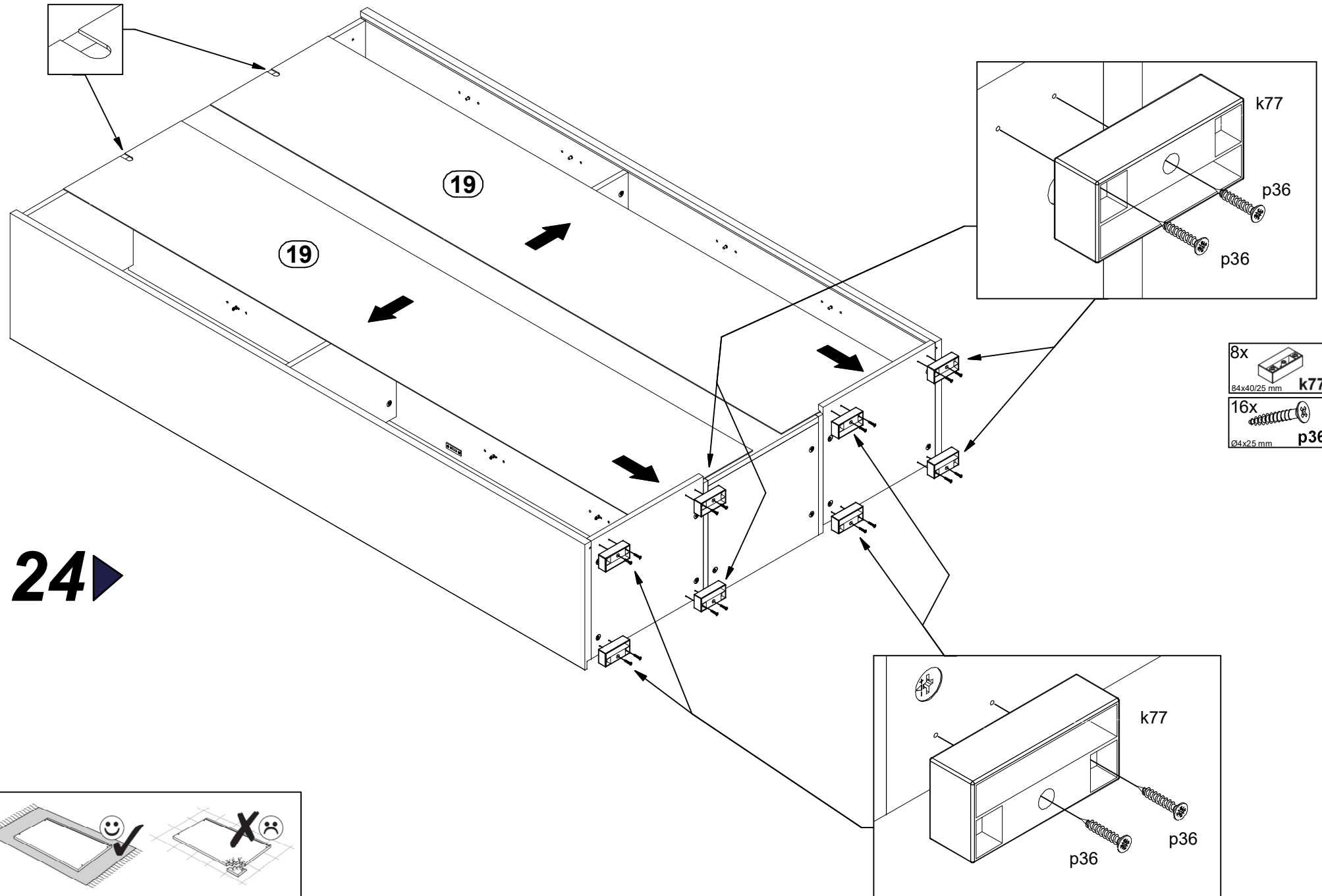


22 ▶

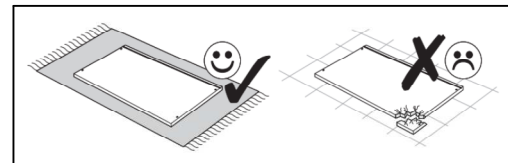
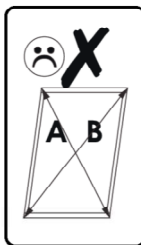
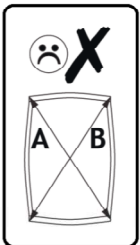
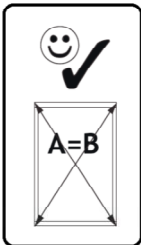
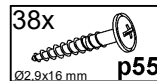
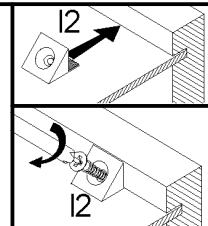
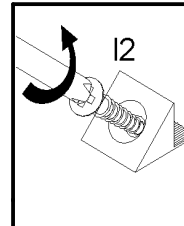
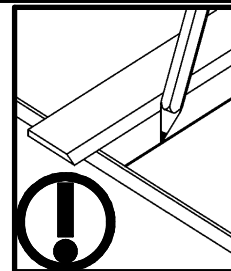
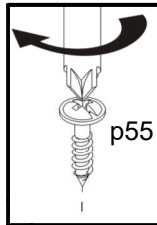
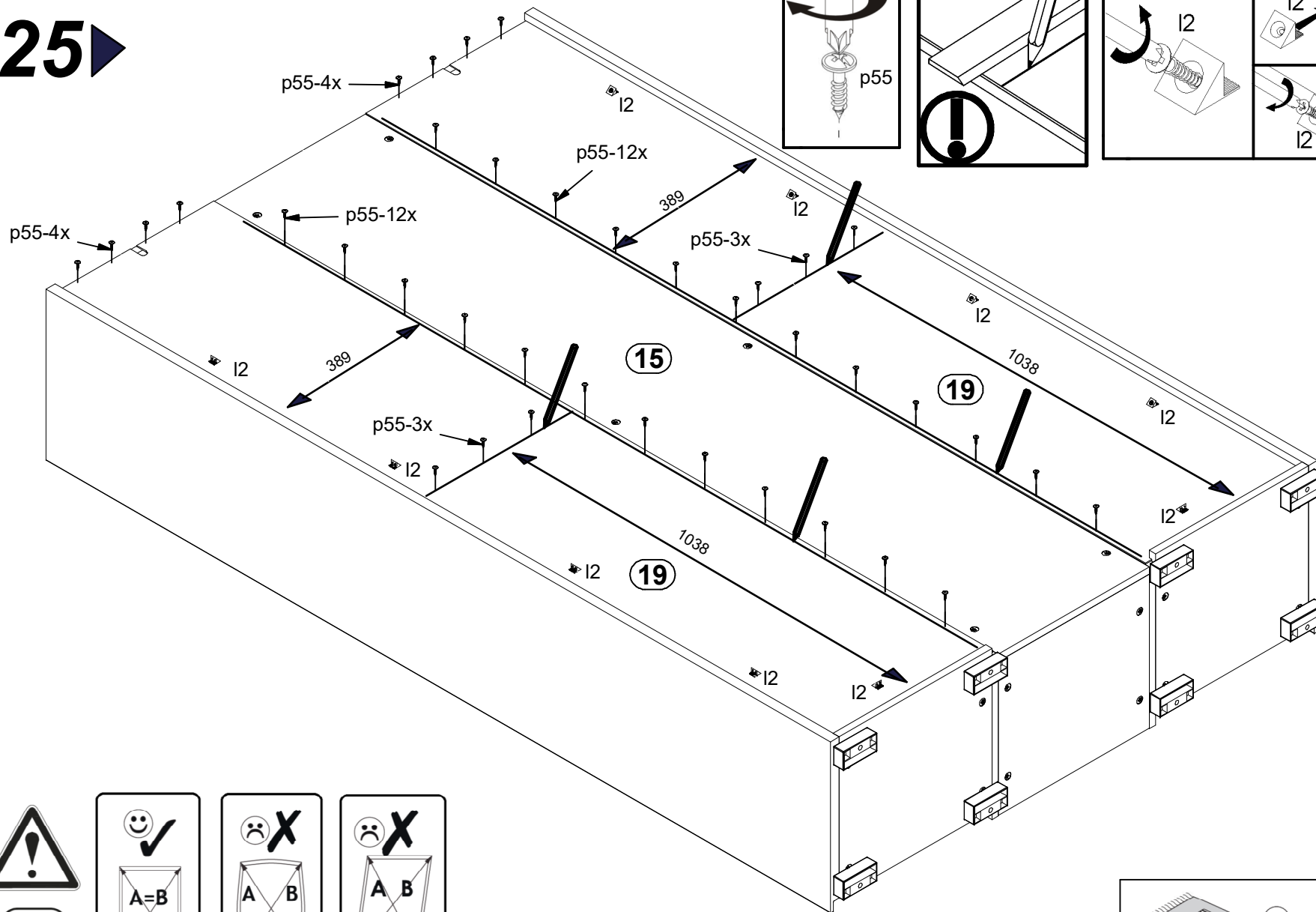


23 ▶

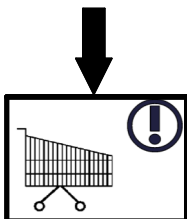
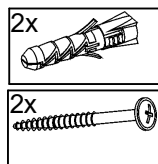
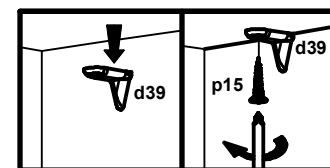
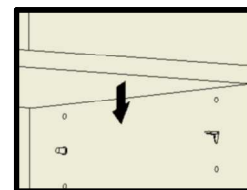
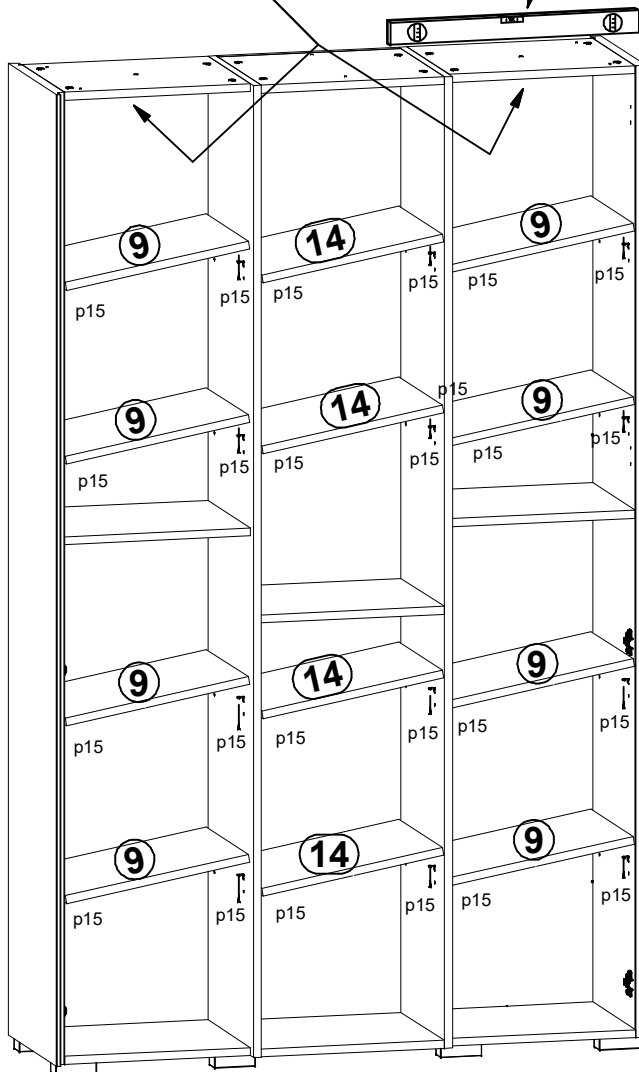
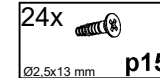
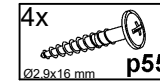
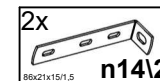
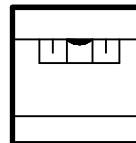
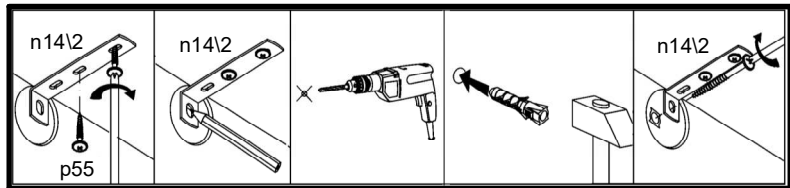




# 25 ▶

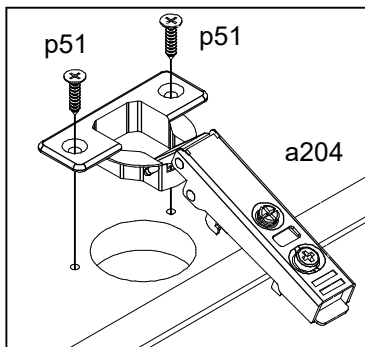
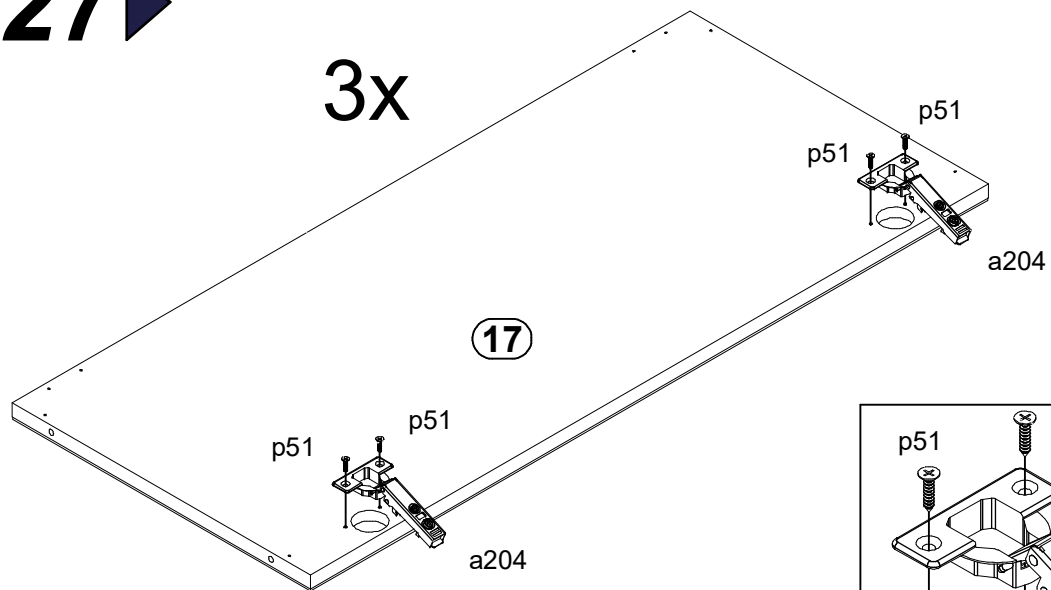


26 ▶

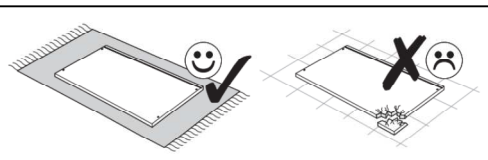
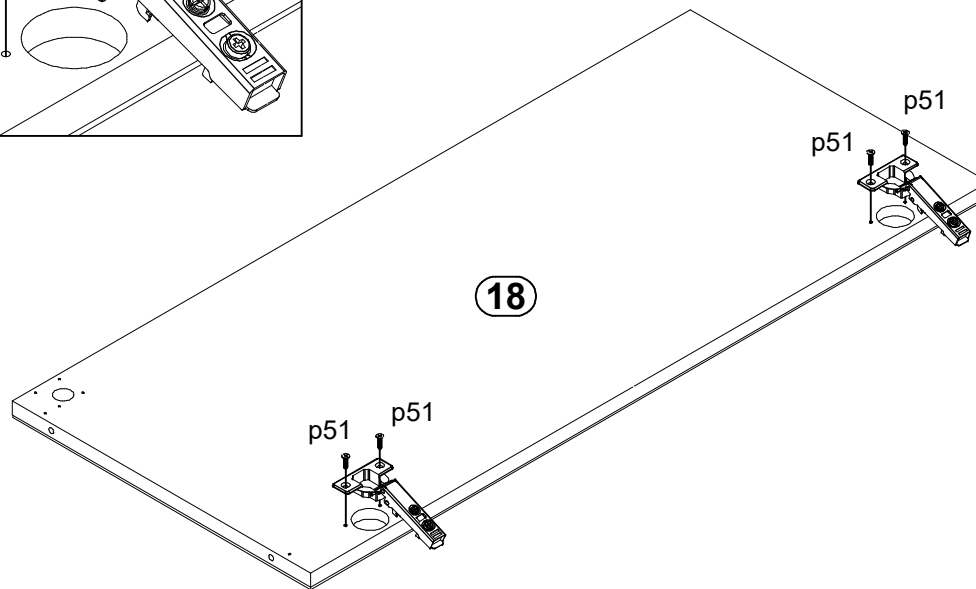


27 ▶

3x

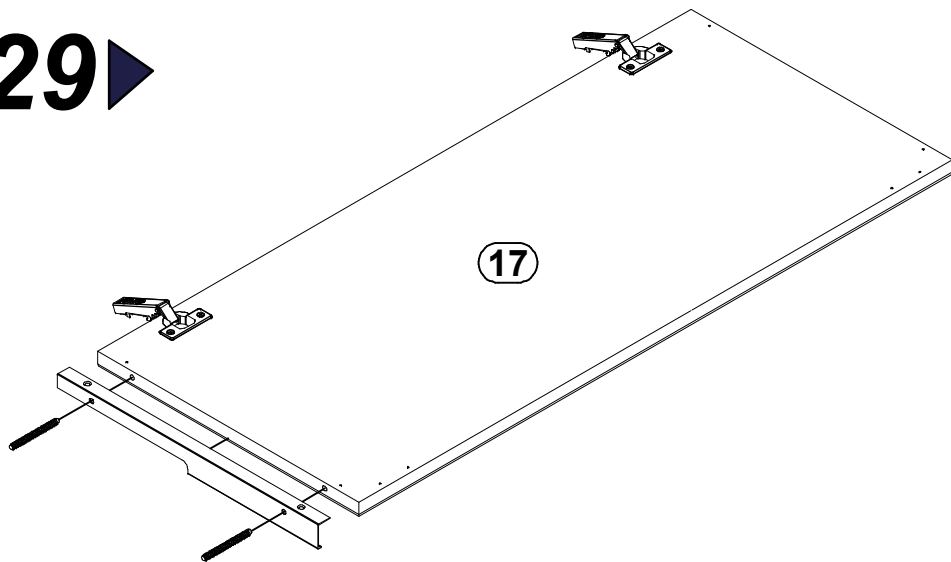


28 ▶

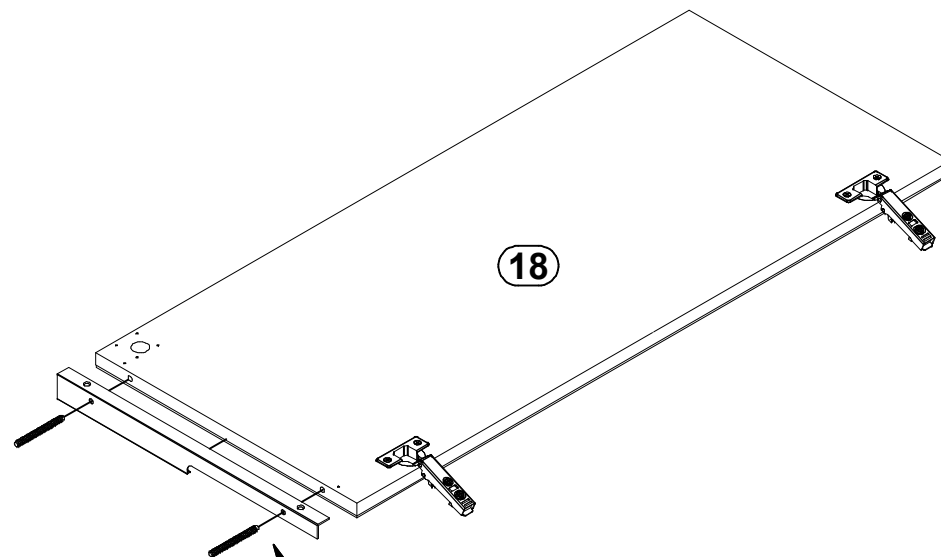


1x  c624\2P	1x  c624\2L	4x  j137\1
--	--	---

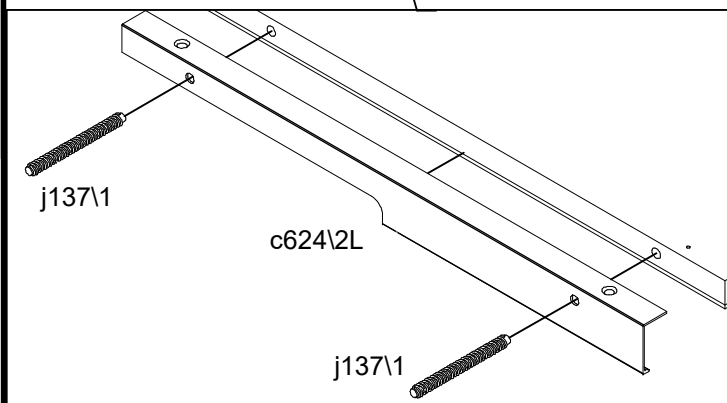
29 ▶



17



18

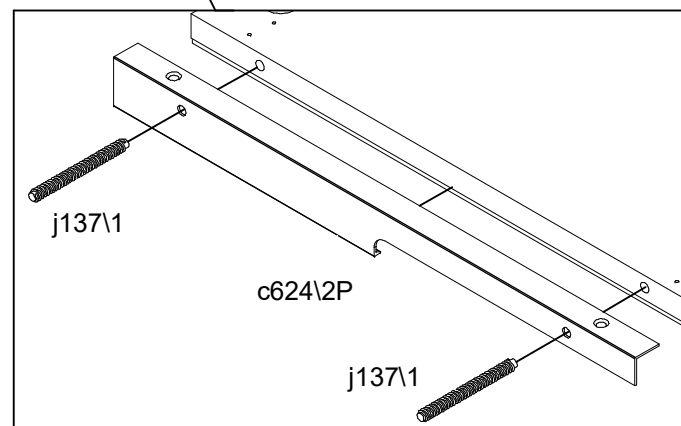


j137\1

c624\2L

j137\1

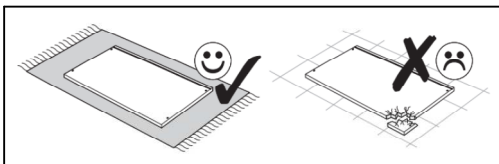
30 ▶




j137\1

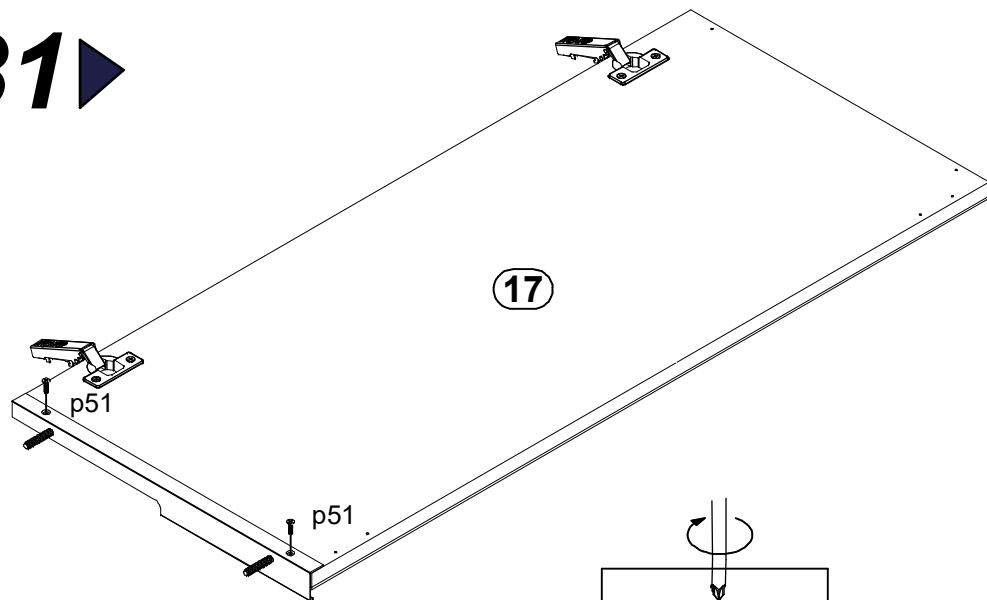
c624\2P

j137\1



4x  p51  
Ø3.5x15 mm

31 ▶



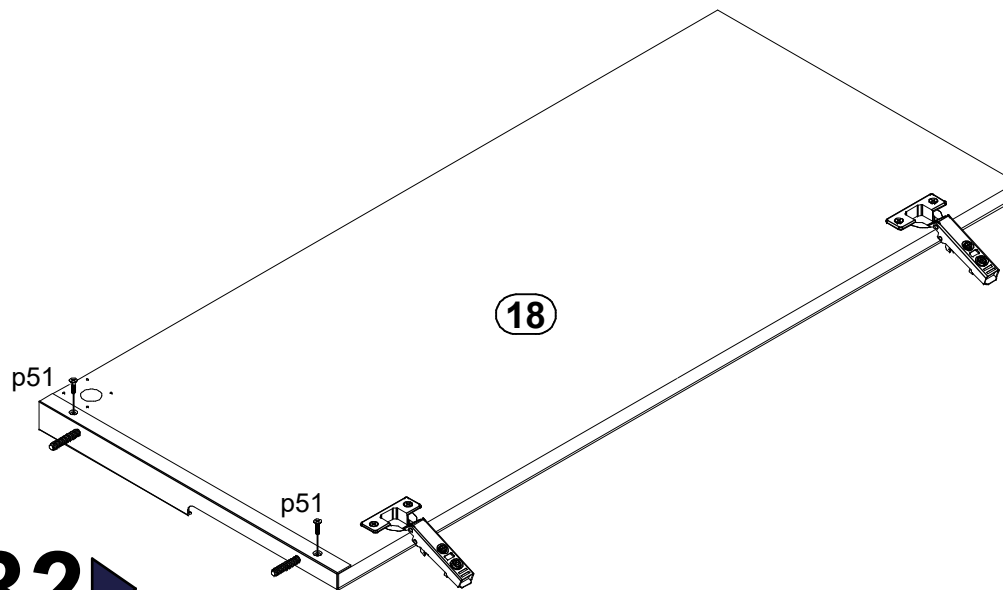
17

p51

p51

p51

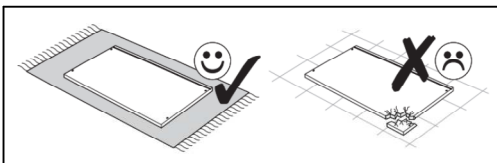
32 ▶



18

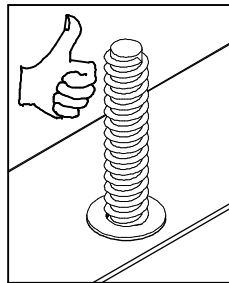
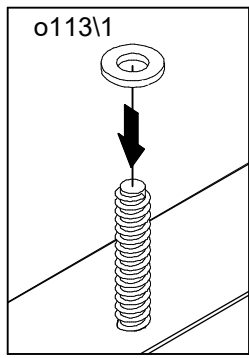
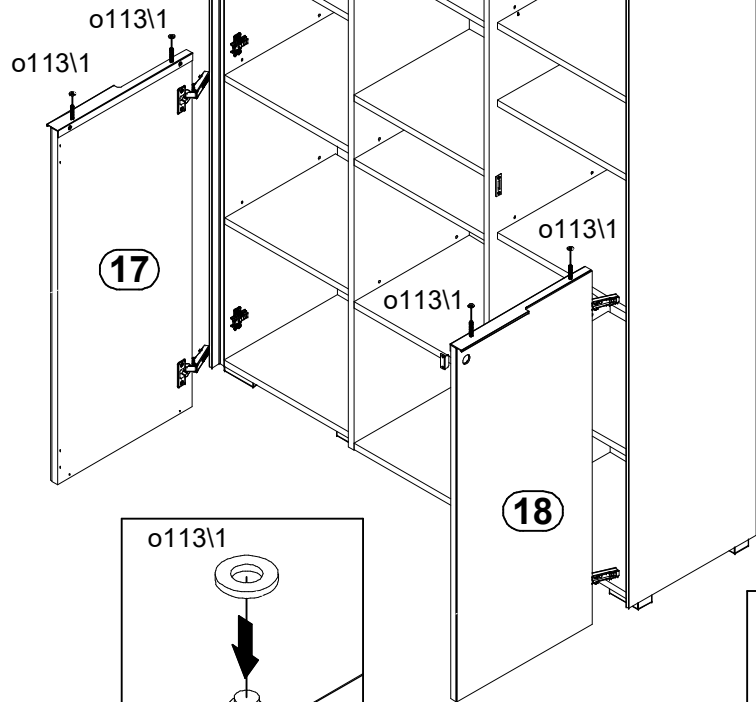
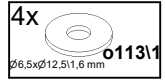
p51

p51

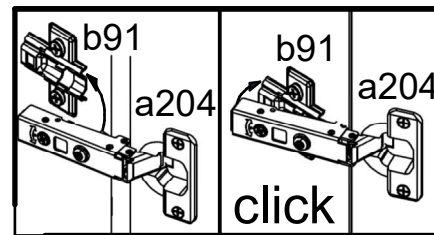
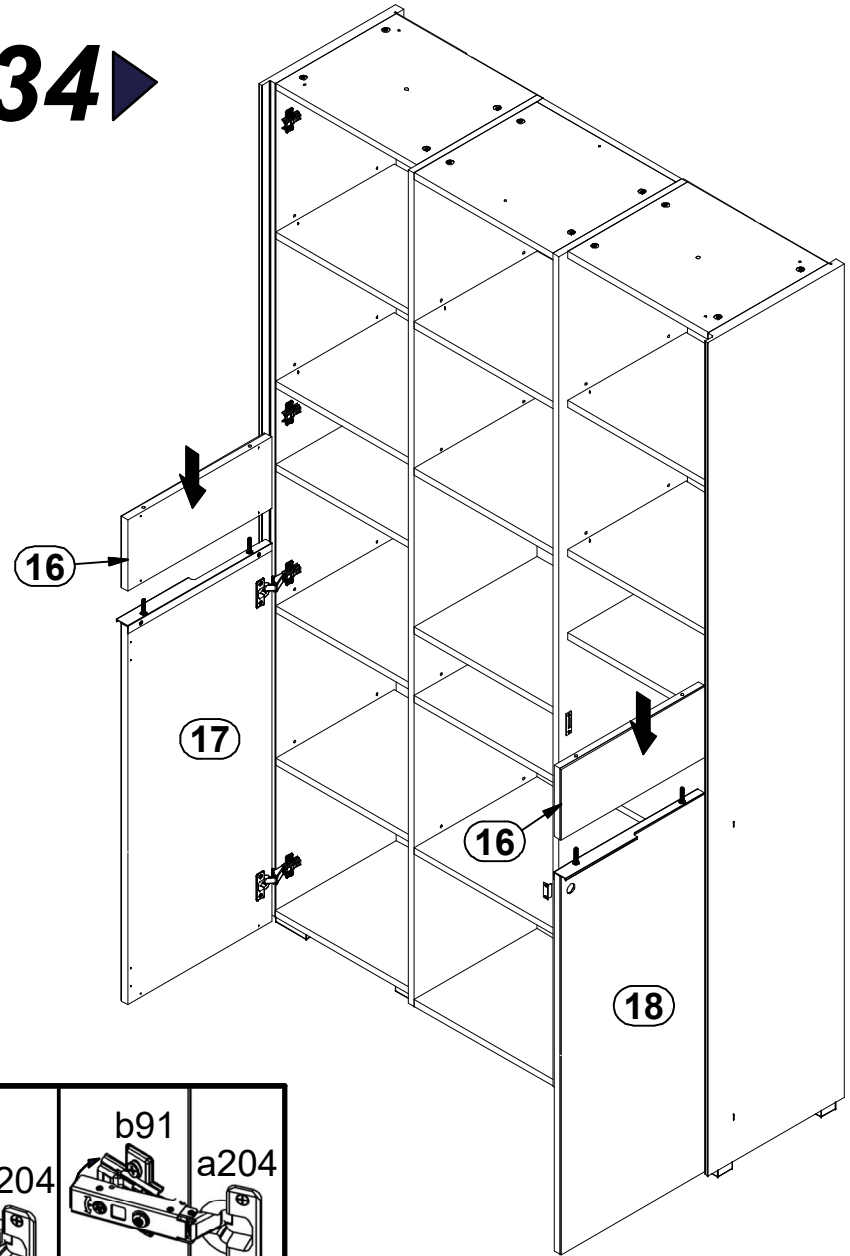




# 33 ▶

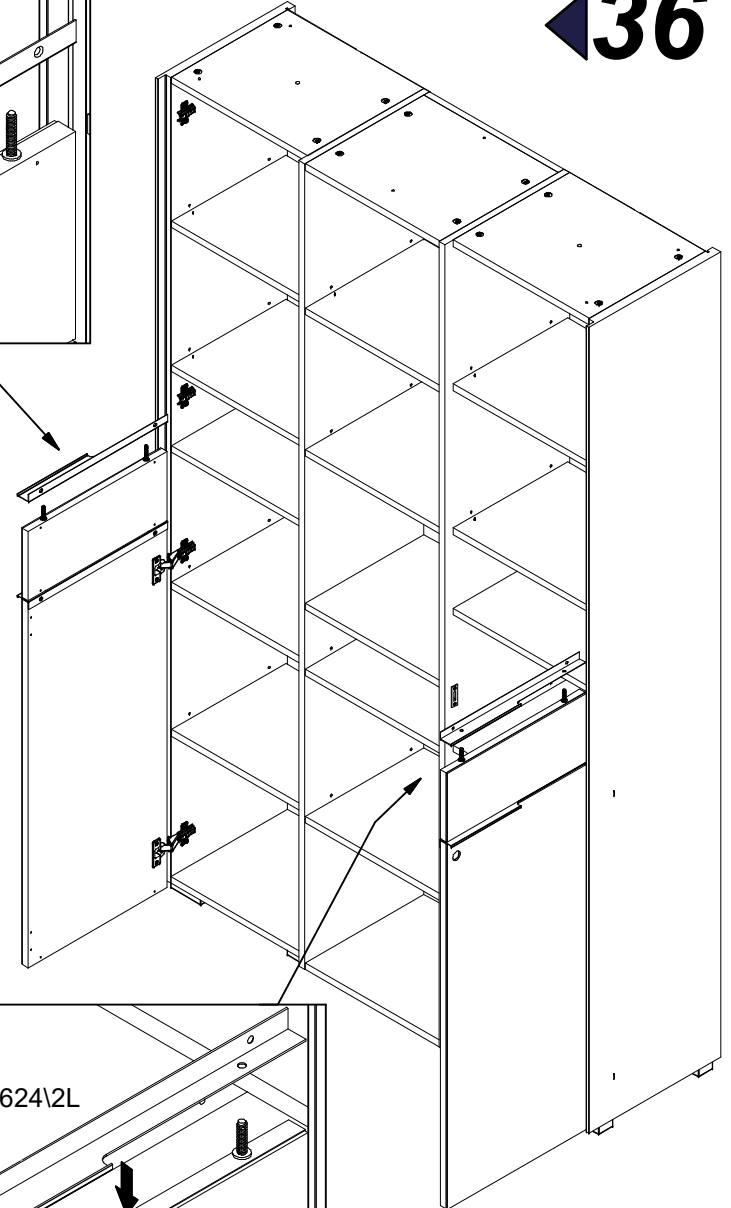
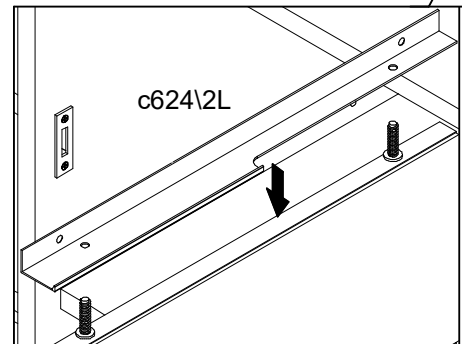
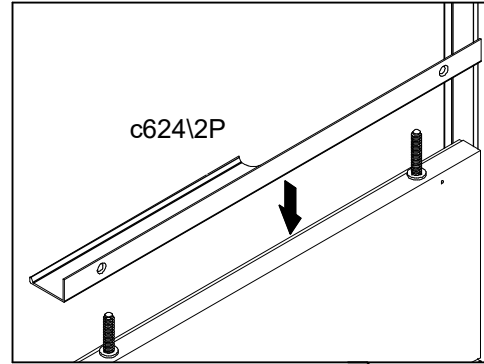
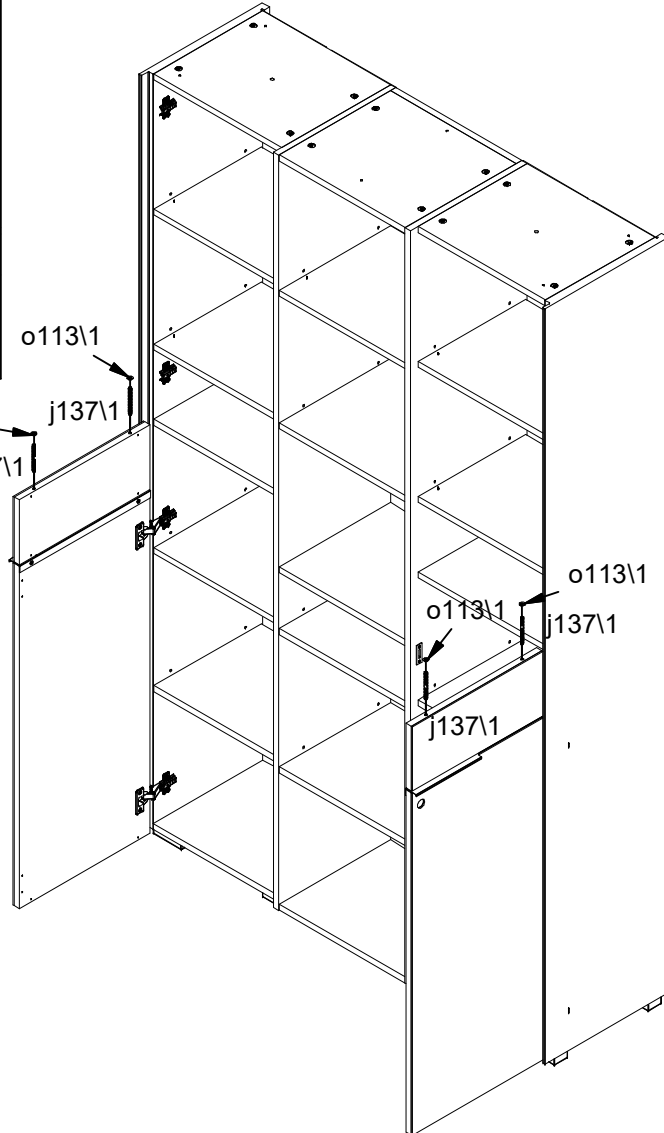
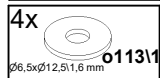
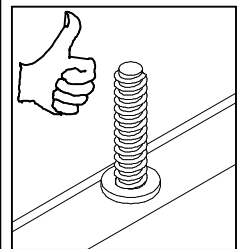
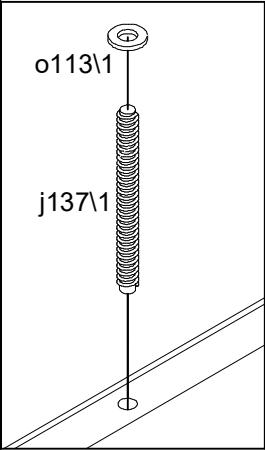


# 34 ▶



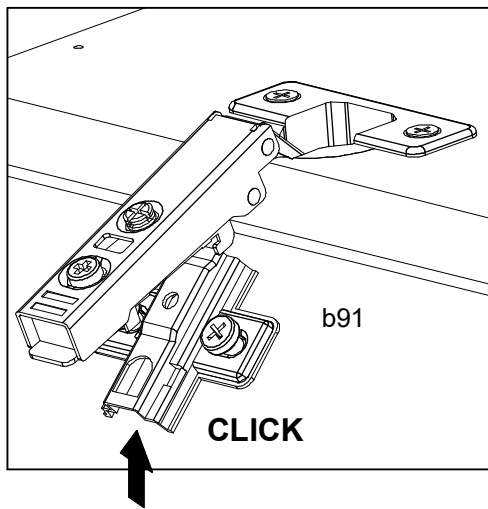
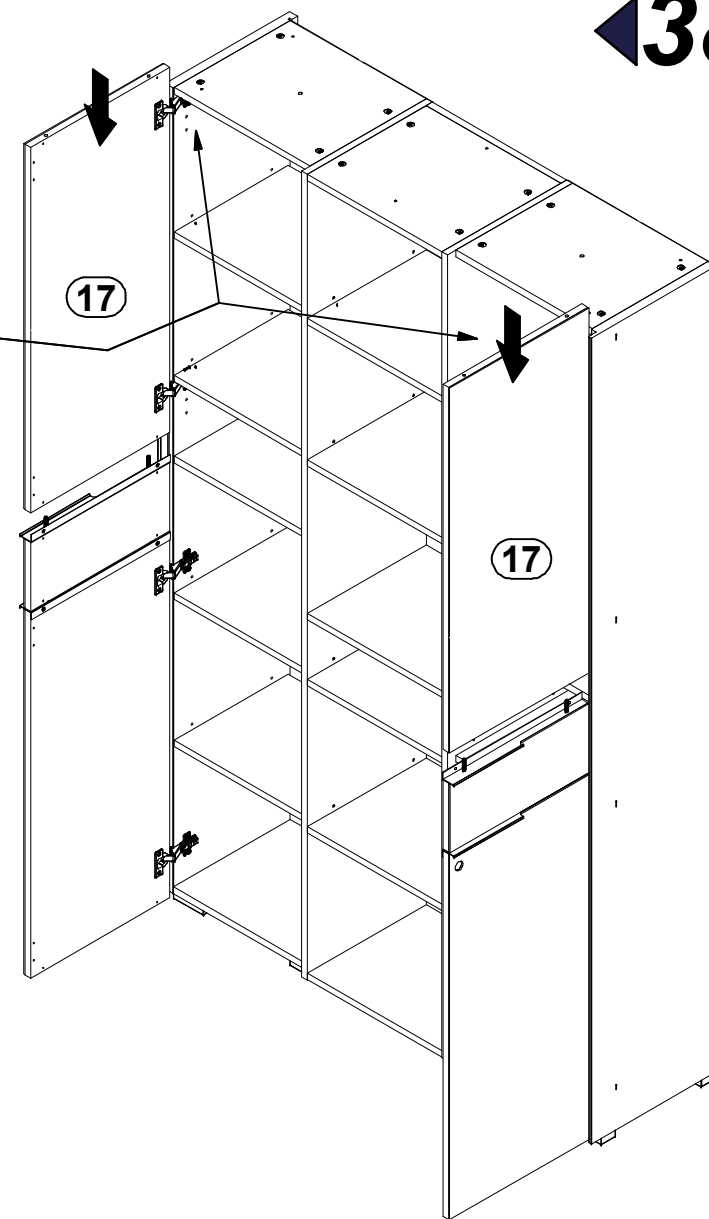
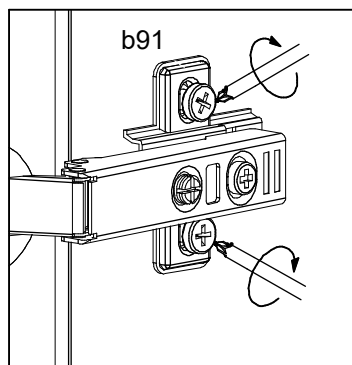
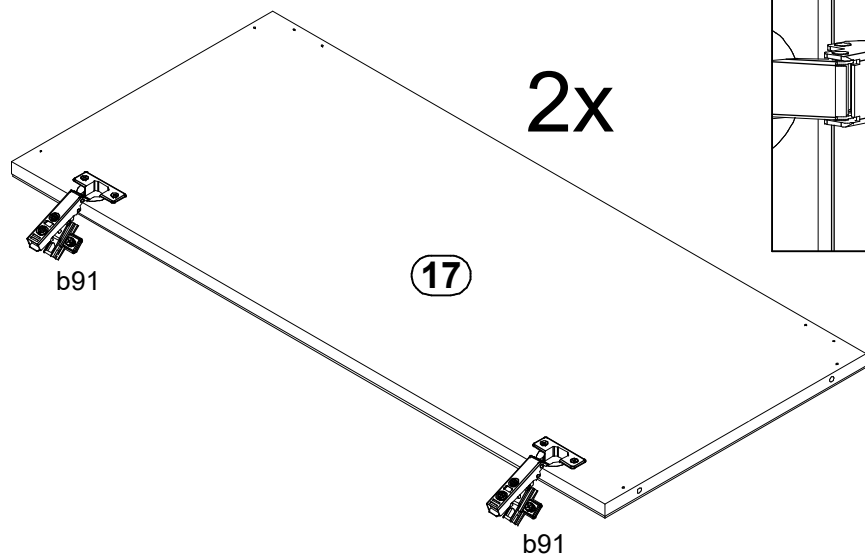
35 ▶

◀ 36



37 ▶

◀ 38



12x Ø16 s2	6x Ø14x0,5 mm s59	1x z33
4x Ø3,5x15 mm p51	6x Ø2,9x24 mm p50	4x Ø3,5x16 mm p61

# 39

