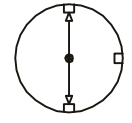
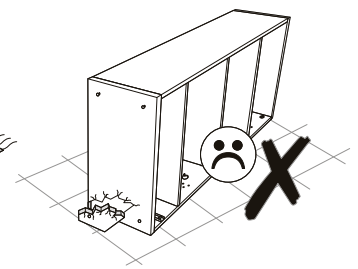
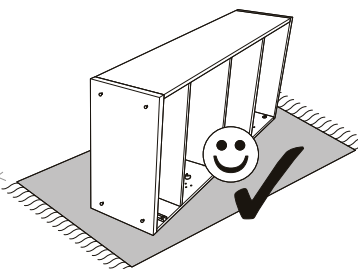
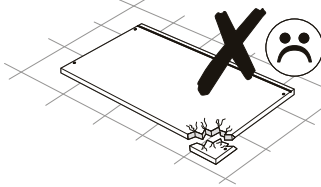
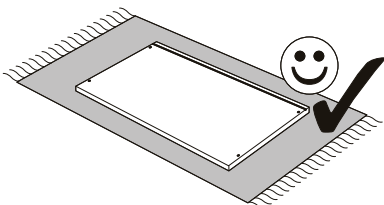
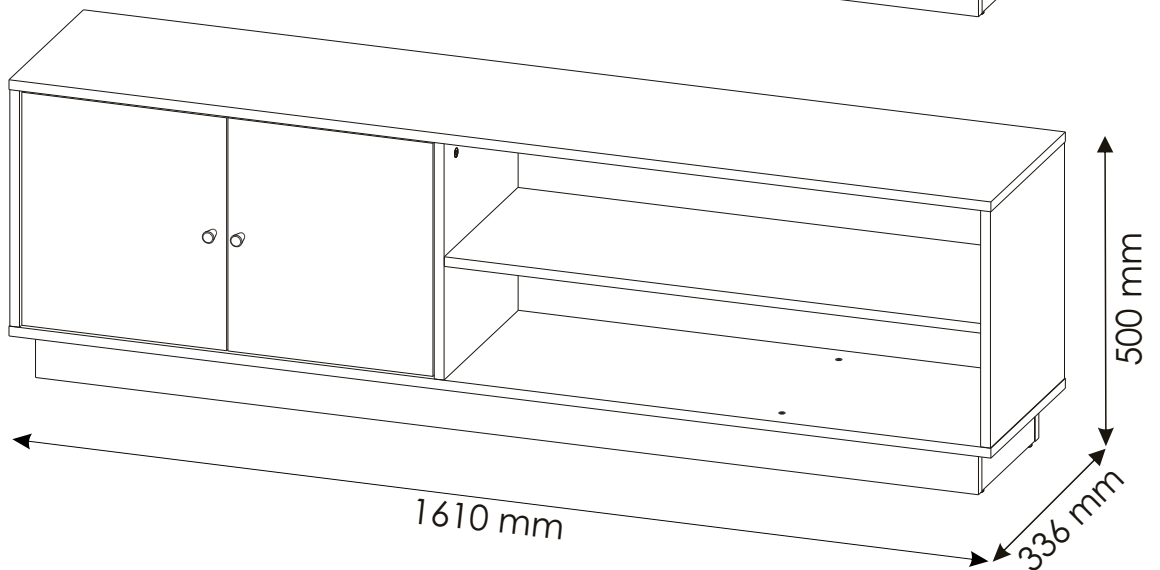
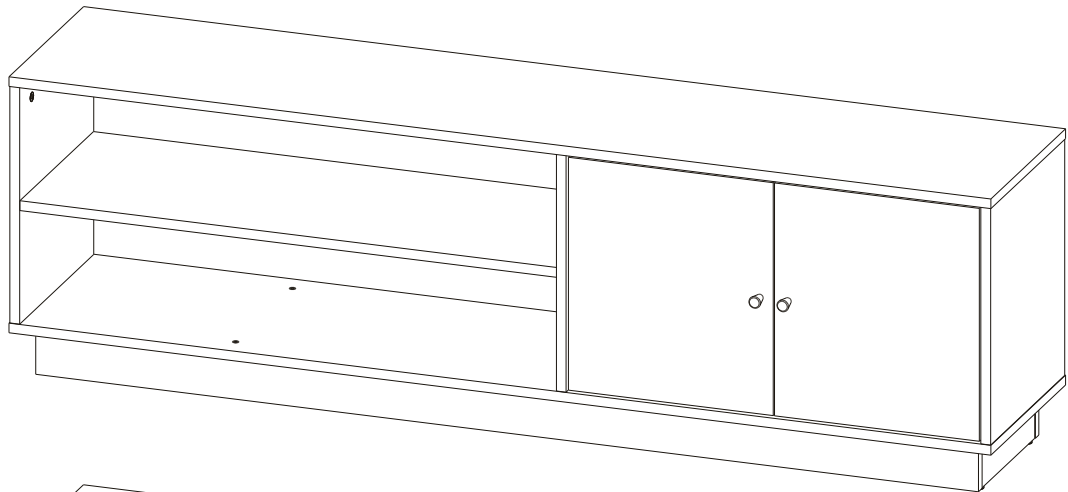
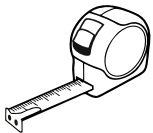
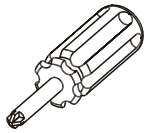
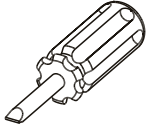
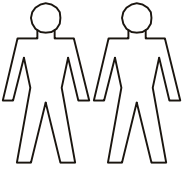









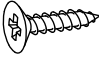


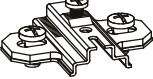
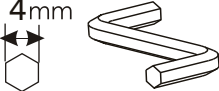
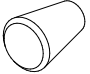
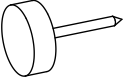
# TV Unterteil 2T MAJA

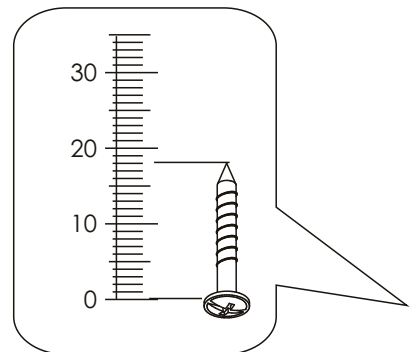
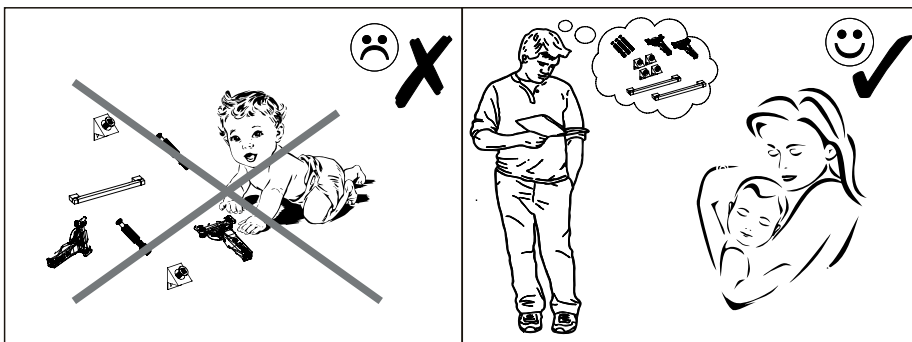
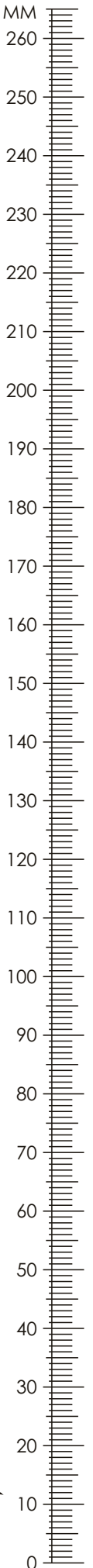
00030116/11  
00030116/12  
00030116/13




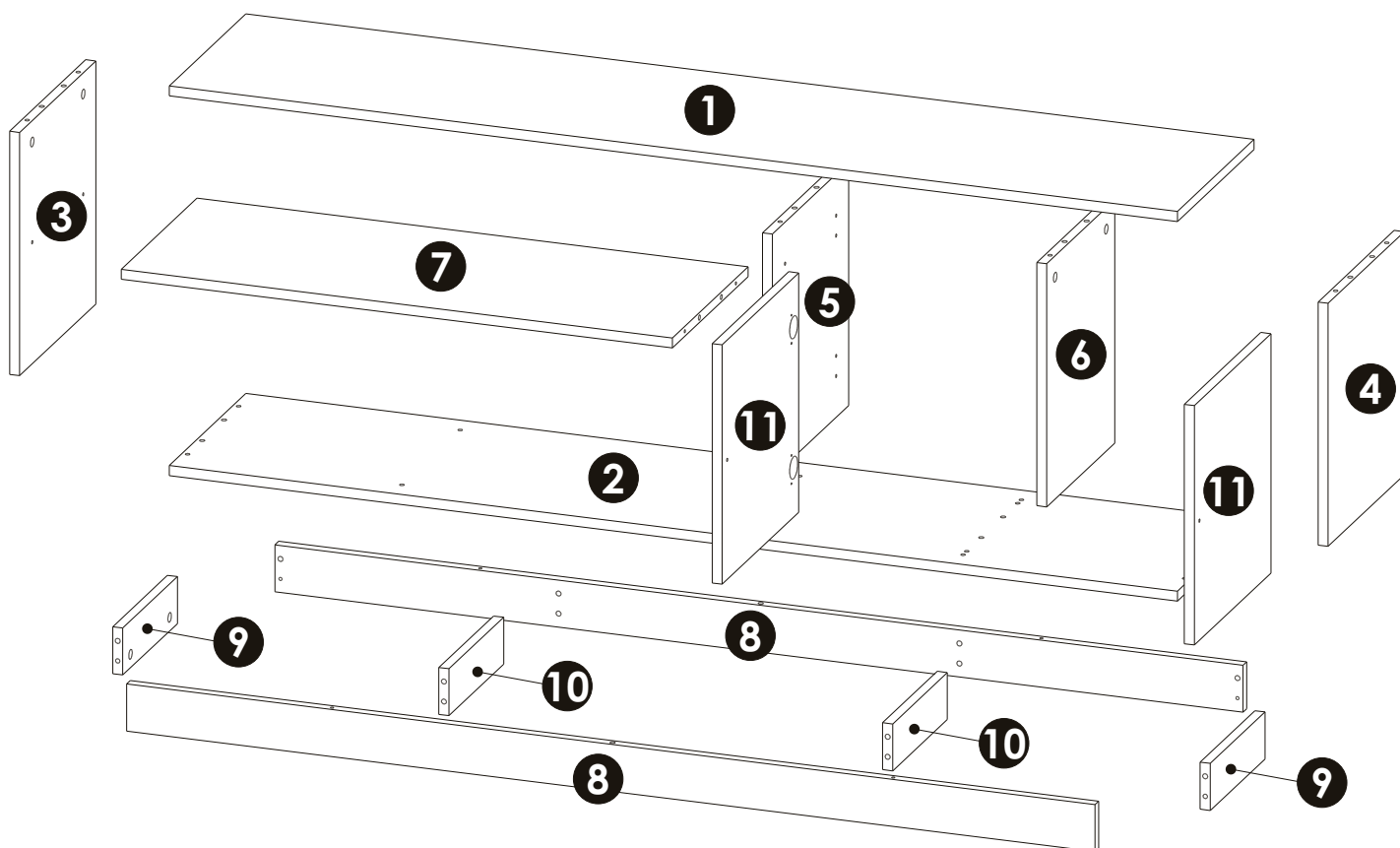
**30**  
**MIN**

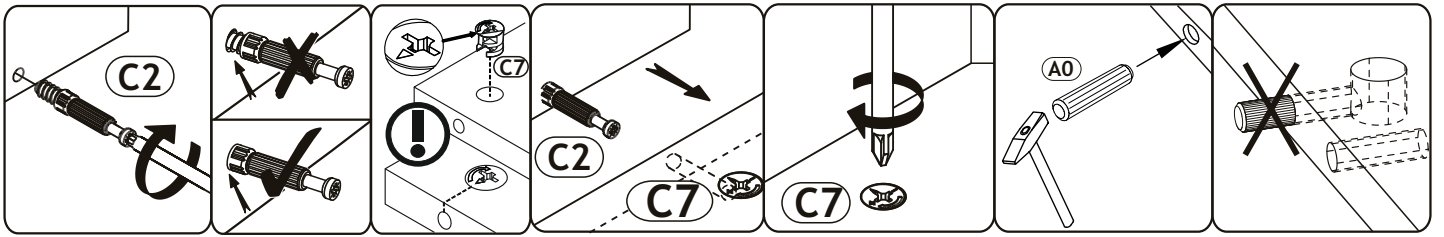


<b>A0</b> 8 x 30mm <b>x34</b> 	<b>B0</b>  <b>x4</b>	<b>B1</b> 7x 50 mm <b>x14</b> 
<b>B5</b> Ø5mm <b>x8</b> 	<b>C0</b>  <b>x8</b>	<b>C2</b> <b>x14</b> 
<b>C7</b> 16mm <b>x14</b> 	<b>D10</b> 4 x 16 mm <b>x8</b> 	<b>D17</b> 4,2 x 25 mm <b>x2</b> 
<b>J4</b> <b>x4</b> 	<b>J6</b> <b>x4</b> 	<b>K</b> 4mm <b>x1</b> 
<b>L32</b> <b>x2</b> 	<b>T3</b> <b>x8</b> 	

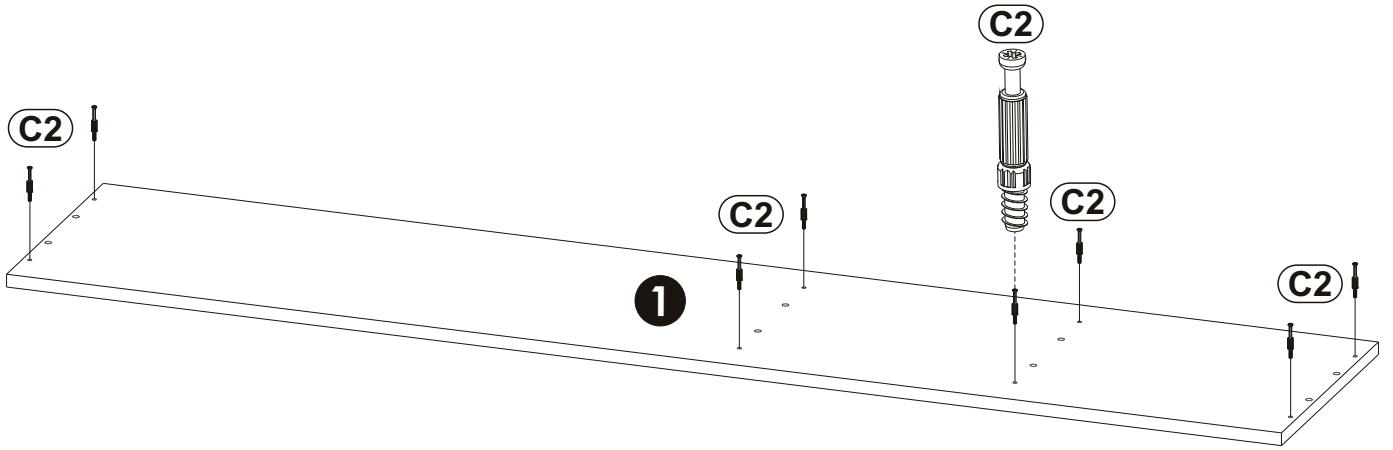
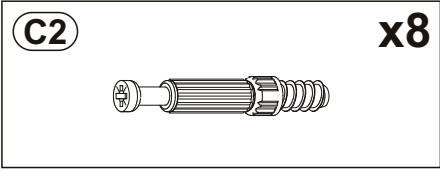


<b>1</b>	1610	336	16	x1	1/1
<b>2</b>	1610	336	16	x1	1/1
<b>3</b>	388	334	16	x1	1/1
<b>4</b>	388	334	16	x1	1/1
<b>5</b>	388	334	16	x1	1/1
<b>6</b>	388	298	16	x1	1/1
<b>7</b>	880	332	16	x1	1/1
<b>8</b>	1546	75	16	x2	1/1
<b>9</b>	240	75	16	x2	1/1
<b>10</b>	240	75	16	x2	1/1
<b>11</b>	336	382	16	x2	1/1
					1/1

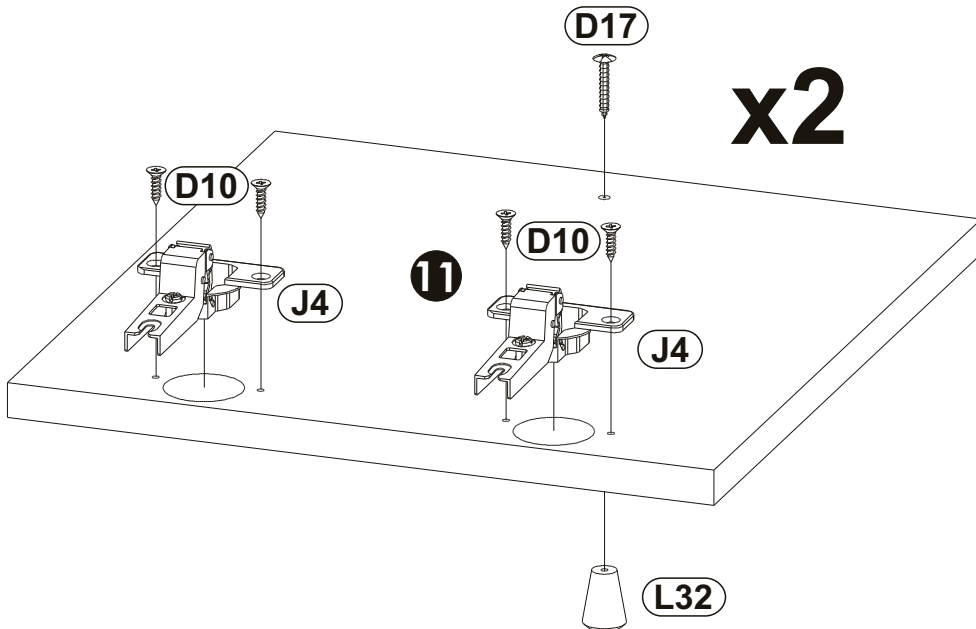
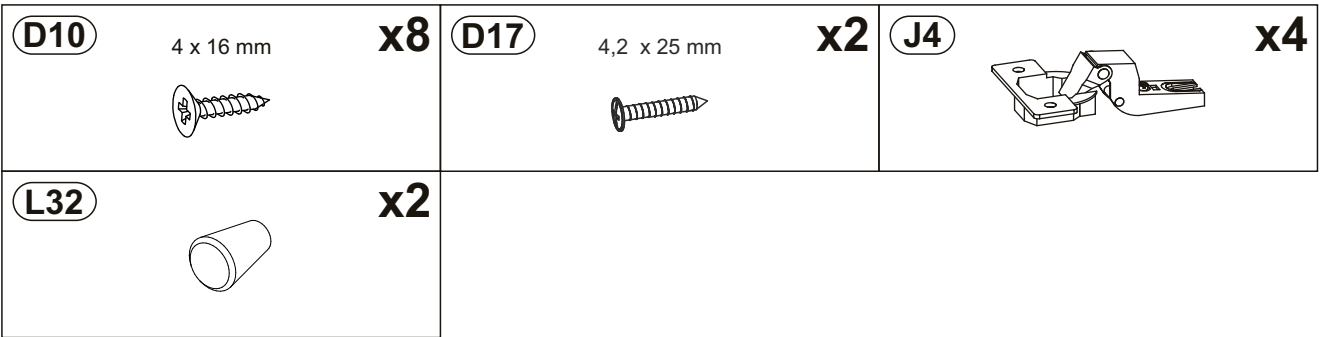


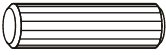




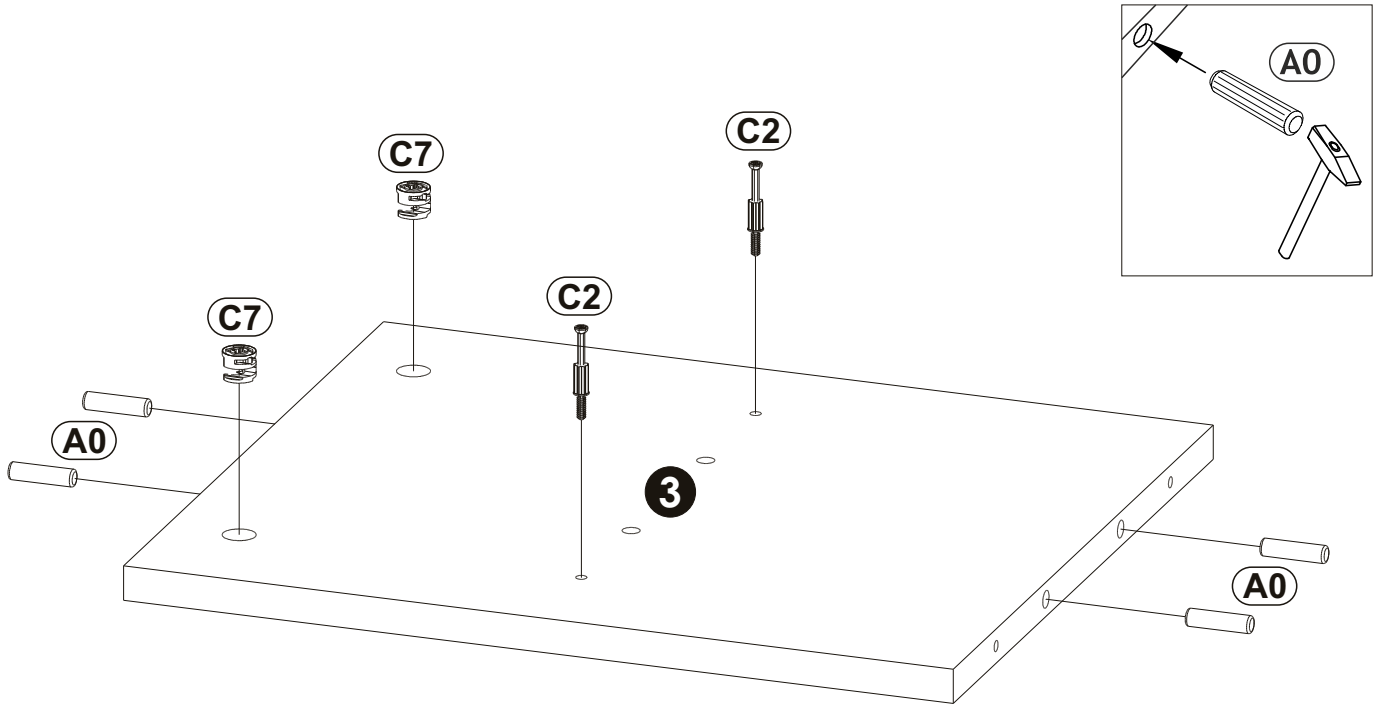
**1**





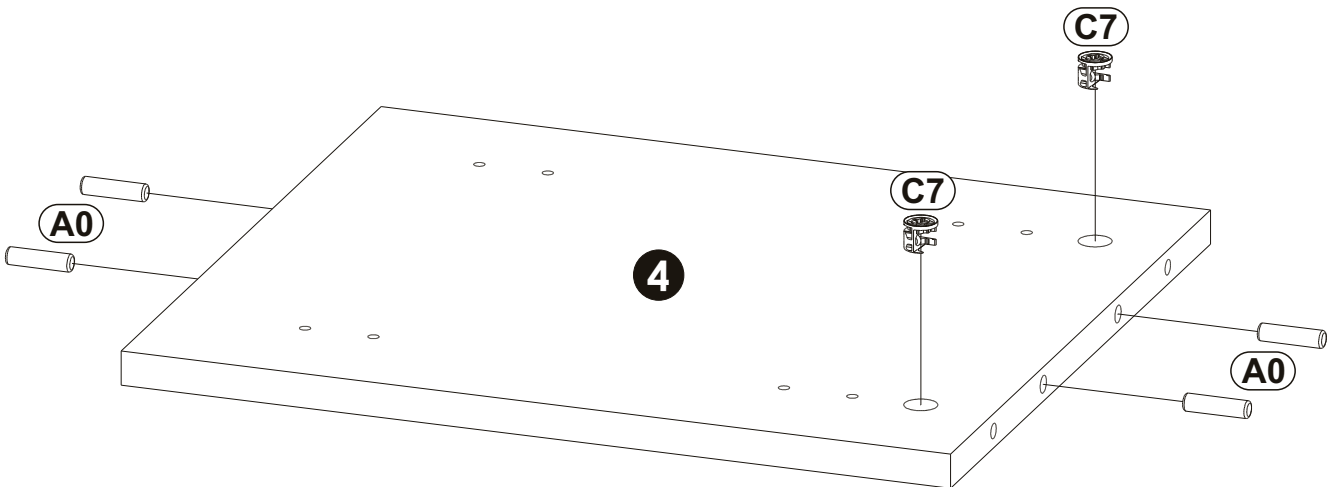
**2**



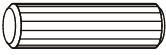

<b>3</b>	<b>A0</b>	8 x 30mm	<b>x4</b>	<b>C2</b>	<b>x2</b>	<b>C7</b>	<b>x2</b>
				16mm			

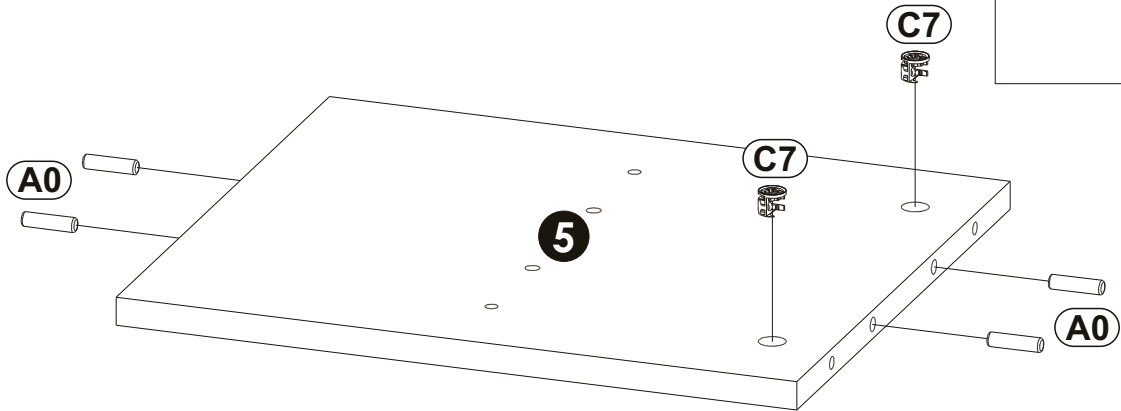
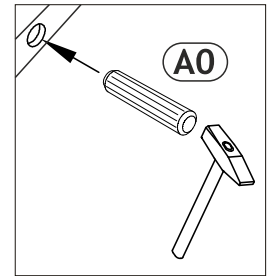


<b>4</b>	<b>A0</b>	8 x 30mm	<b>x4</b>	<b>C7</b>	<b>x2</b>
			16mm		





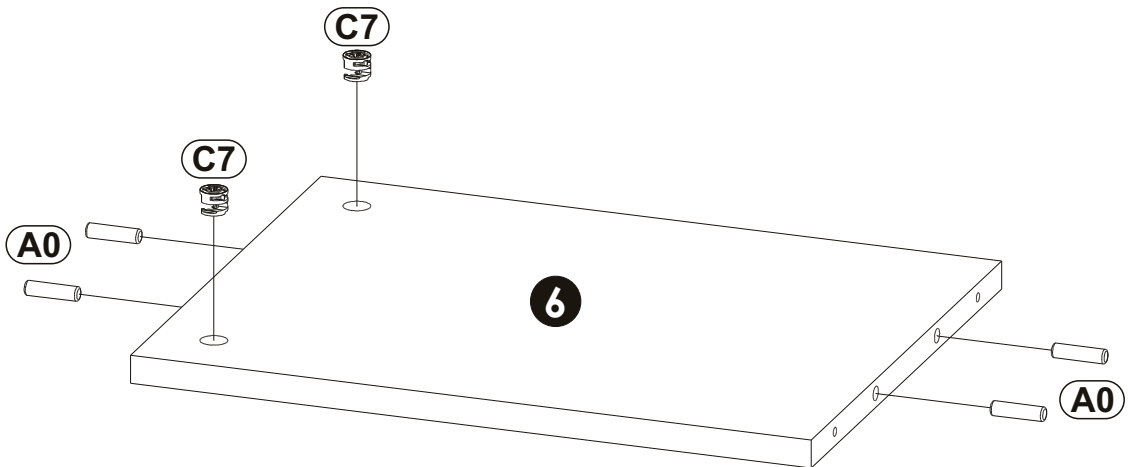
**5**

<b>A0</b>	8 x 30mm	<b>x4</b>	<b>C7</b>	<b>x2</b>
				16mm





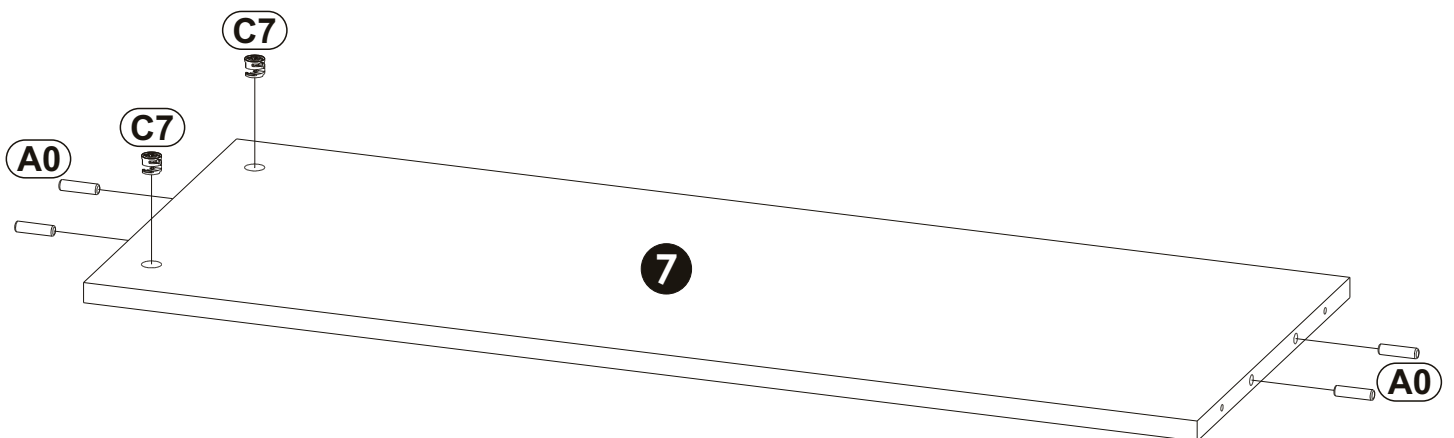
**6**

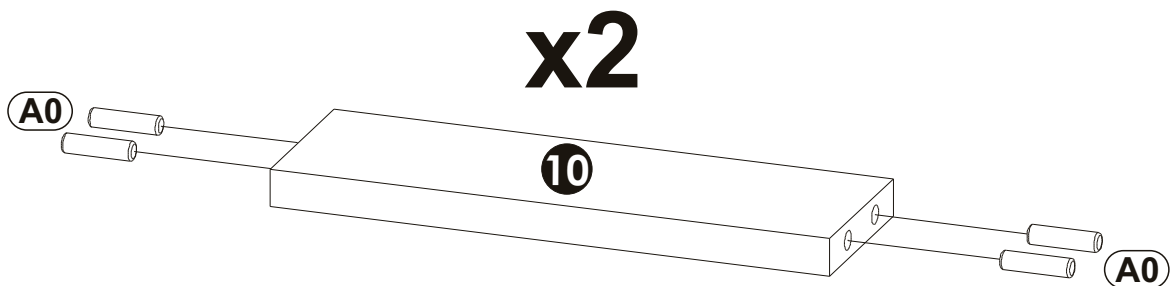
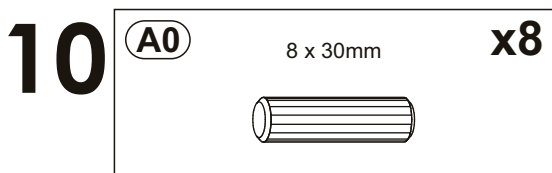
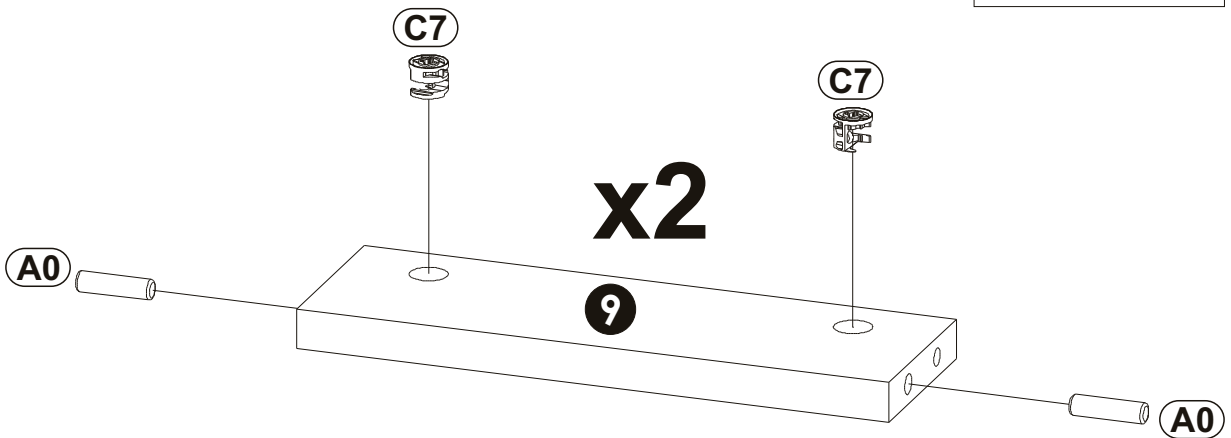
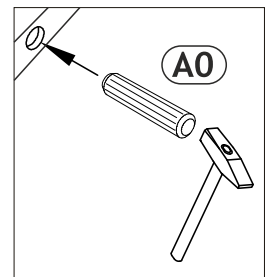
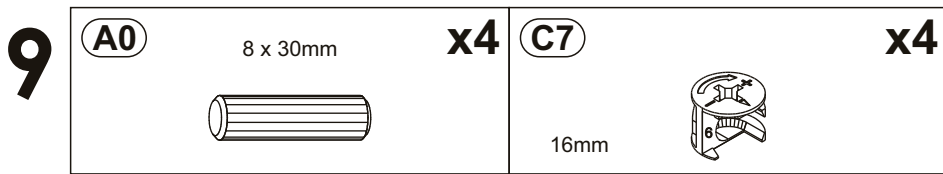
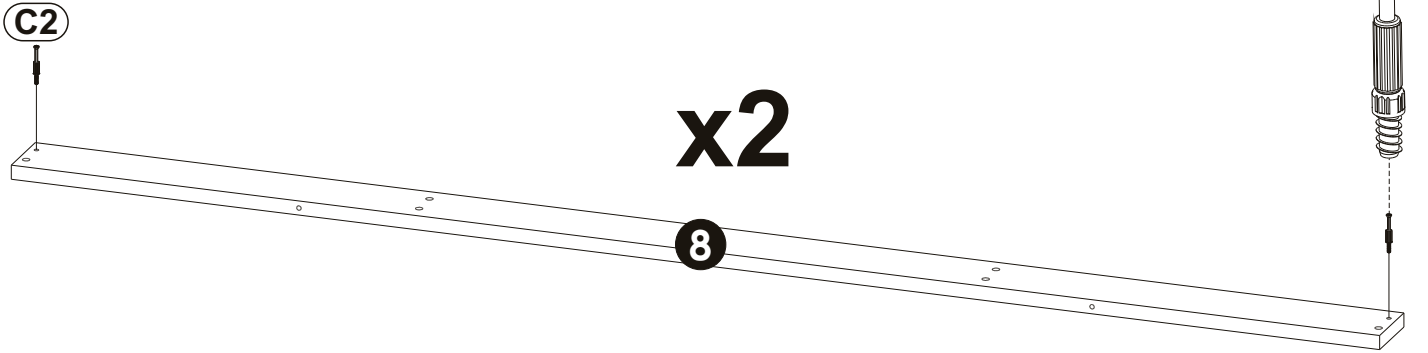
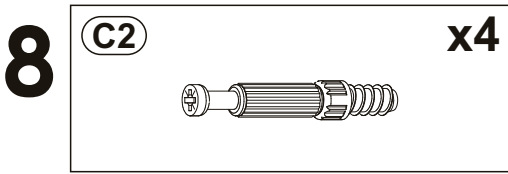
<b>A0</b>	8 x 30mm	<b>x4</b>	<b>C7</b>	<b>x2</b>
				16mm



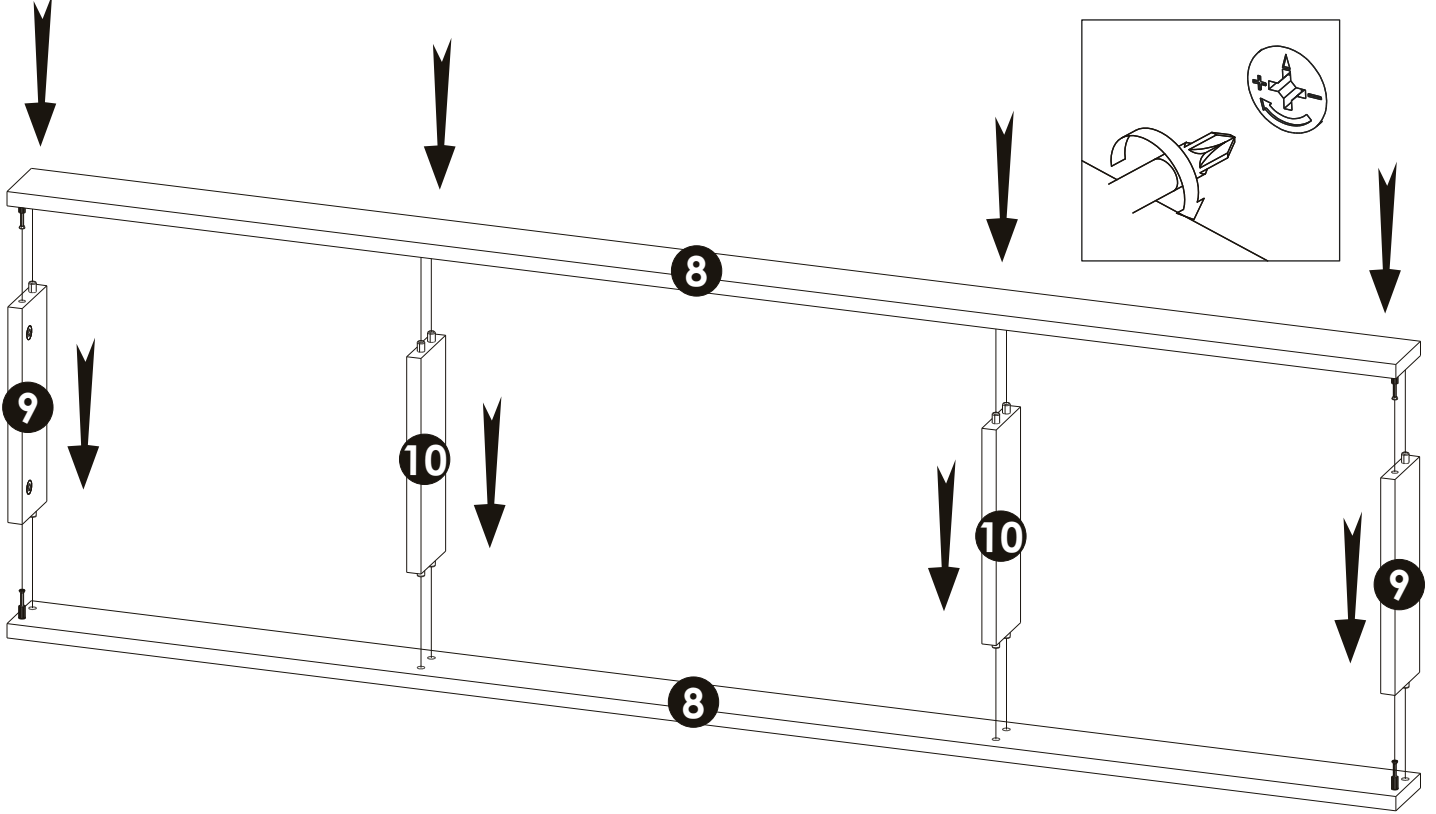
**7**

<b>A0</b>	8 x 30mm	<b>x4</b>	<b>C7</b>	<b>x2</b>
				16mm

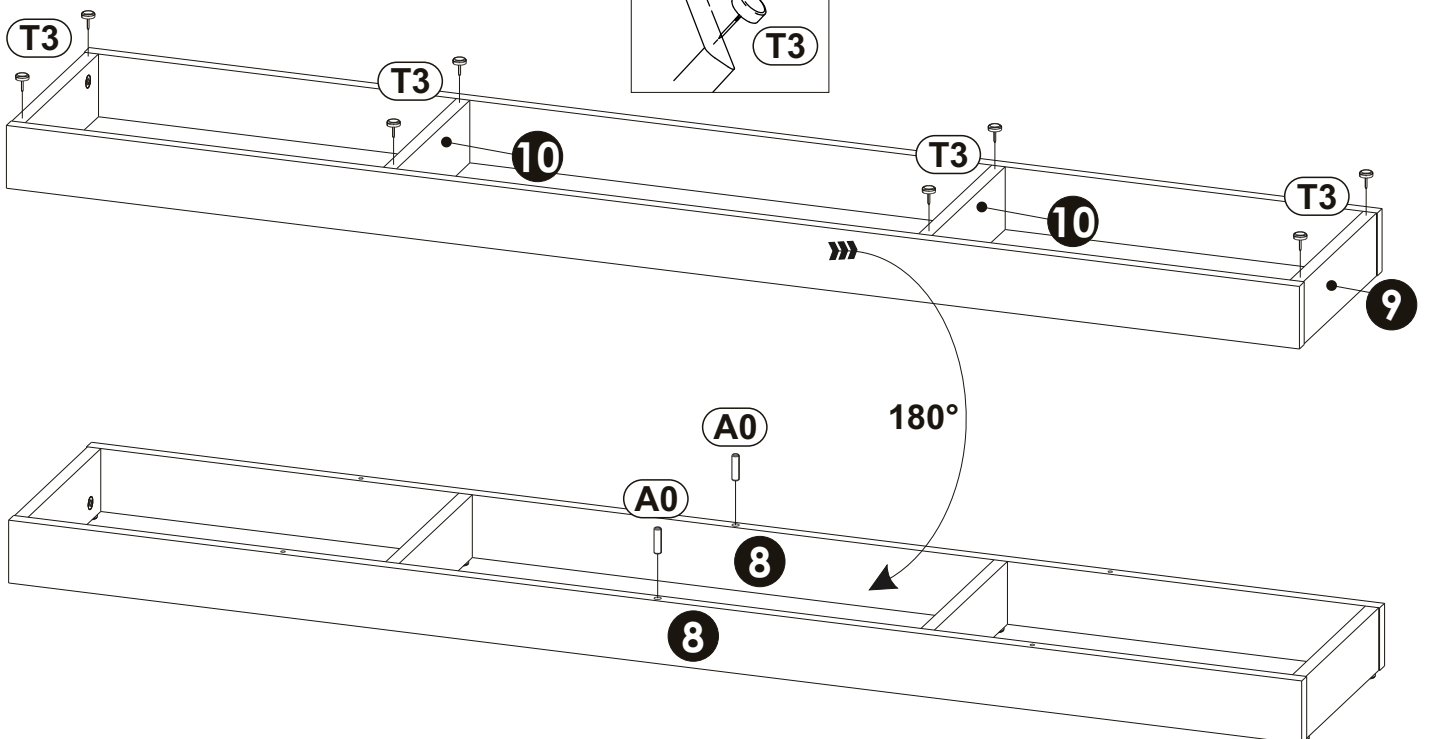
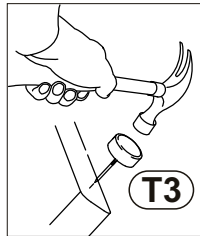
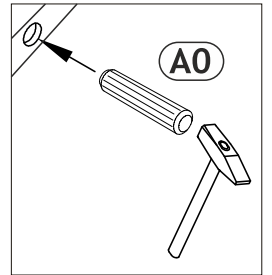
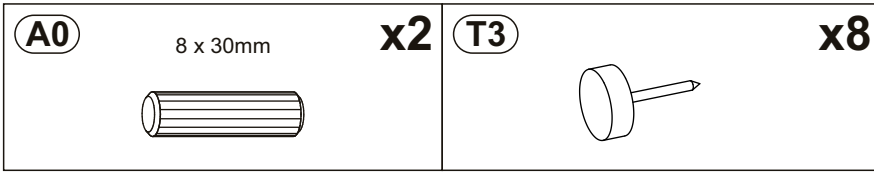




11


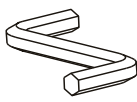


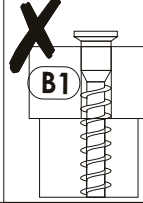
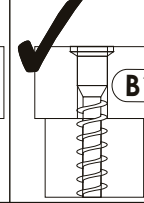
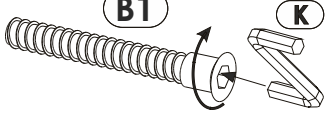
12

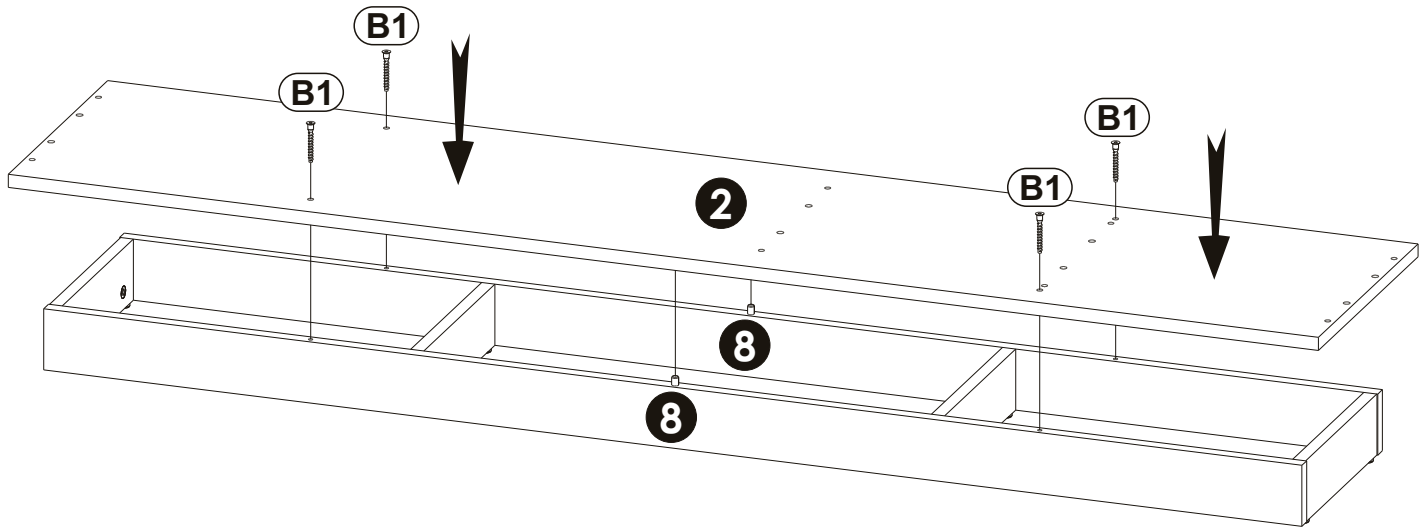





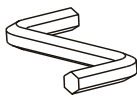
# 13

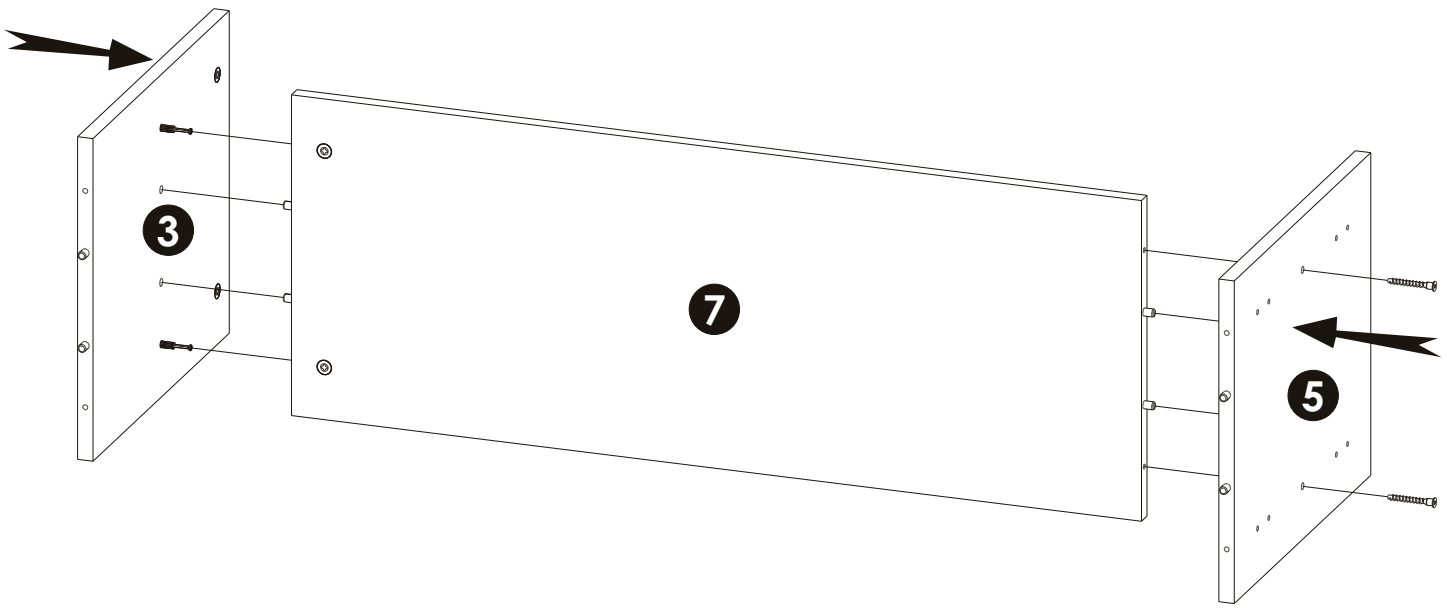
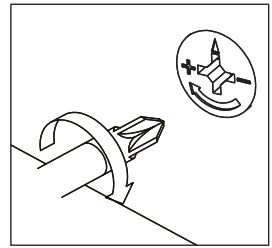
<b>(B1)</b> 7x 50 mm 	<b>x4</b>	<b>(K)</b> 4mm 	<b>x1</b>
--	-----------	--	-----------

 <b>X</b> <b>(B1)</b>	 <b>✓</b> <b>(B1)</b>
 <b>(B1)</b> <b>(K)</b>	

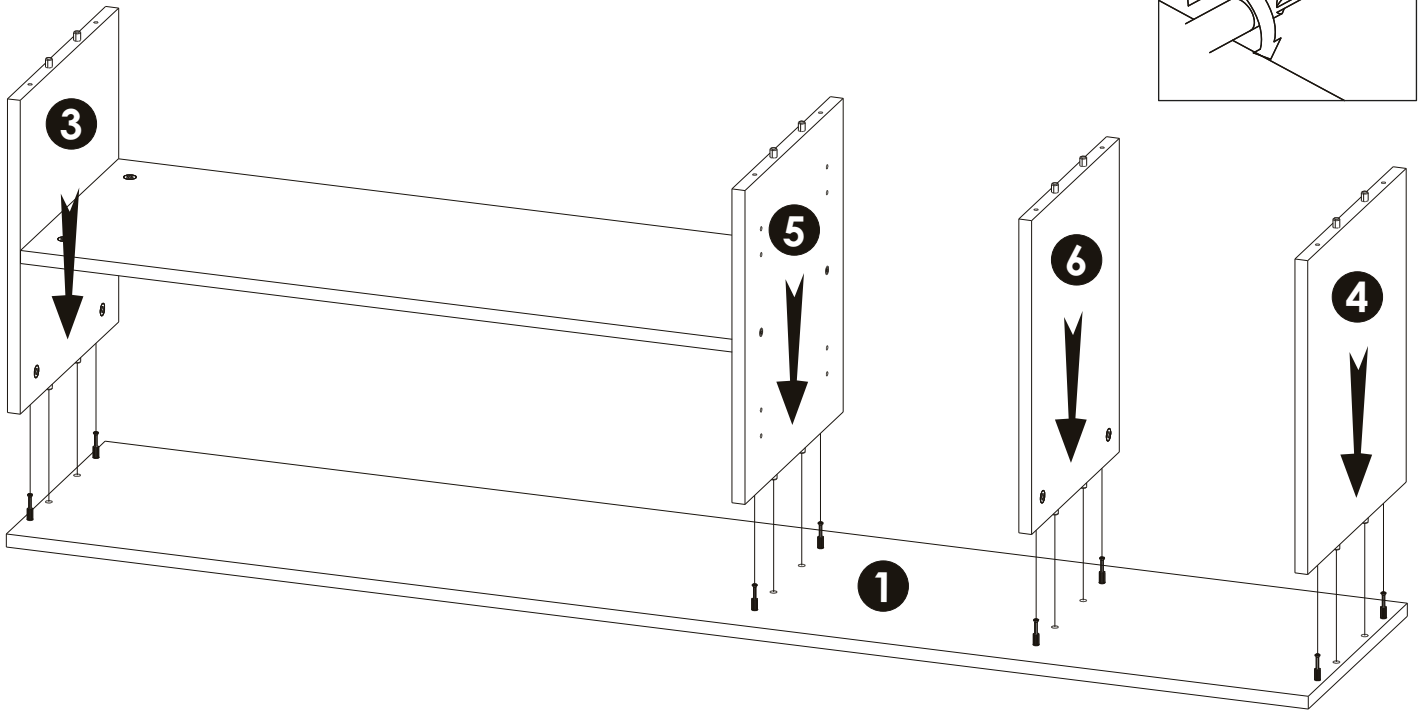


# 14

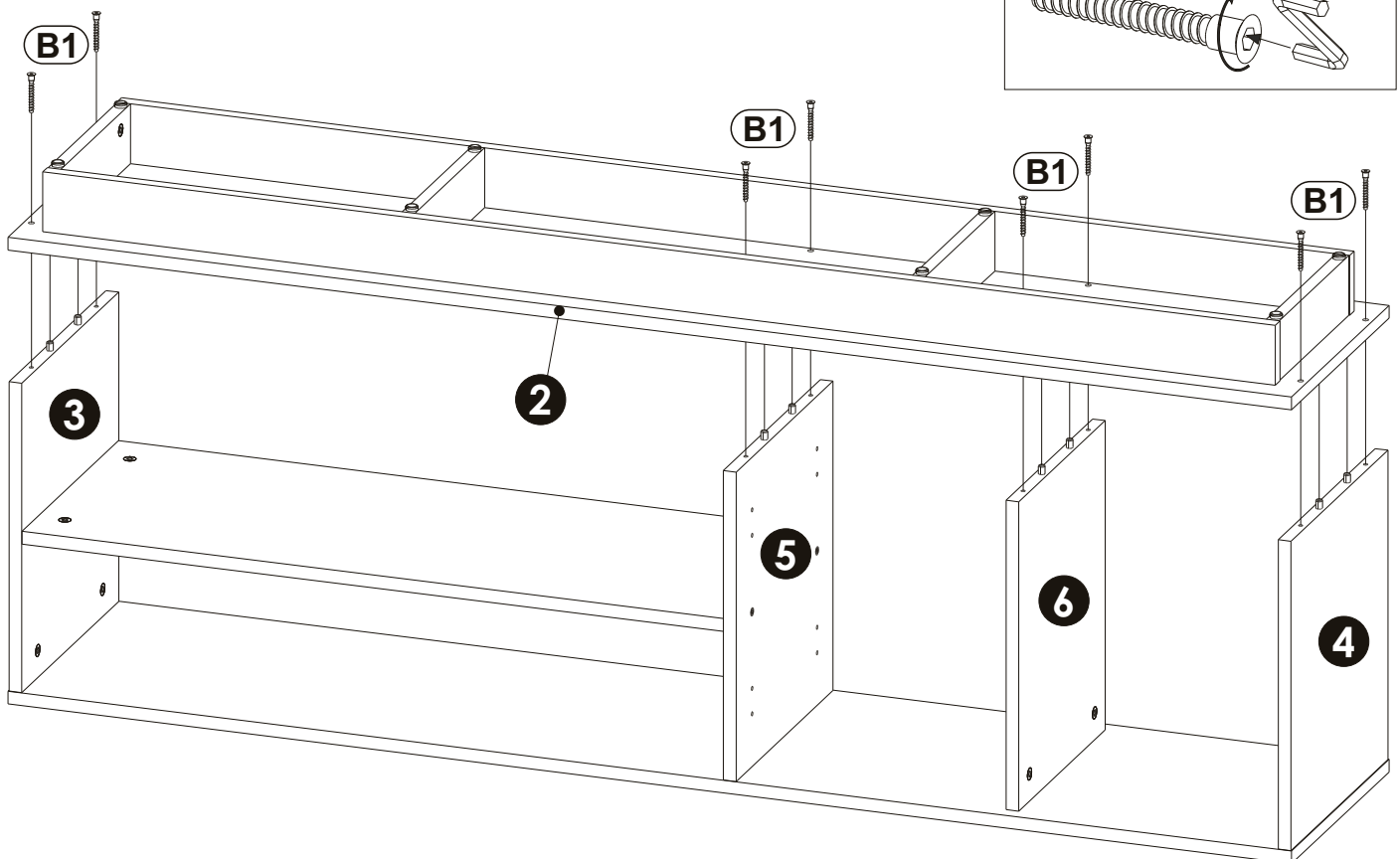
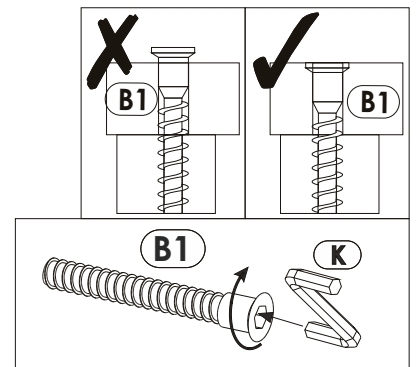
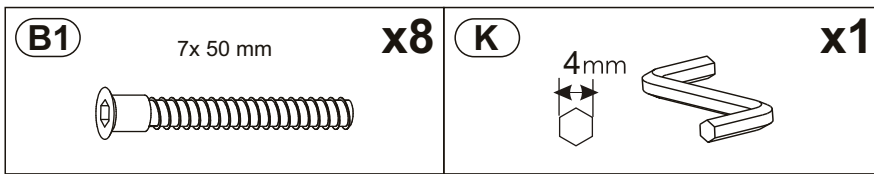
<b>(B1)</b> 7x 50 mm 	<b>x2</b>	<b>(K)</b> 4mm 	<b>x1</b>
--	-----------	--	-----------



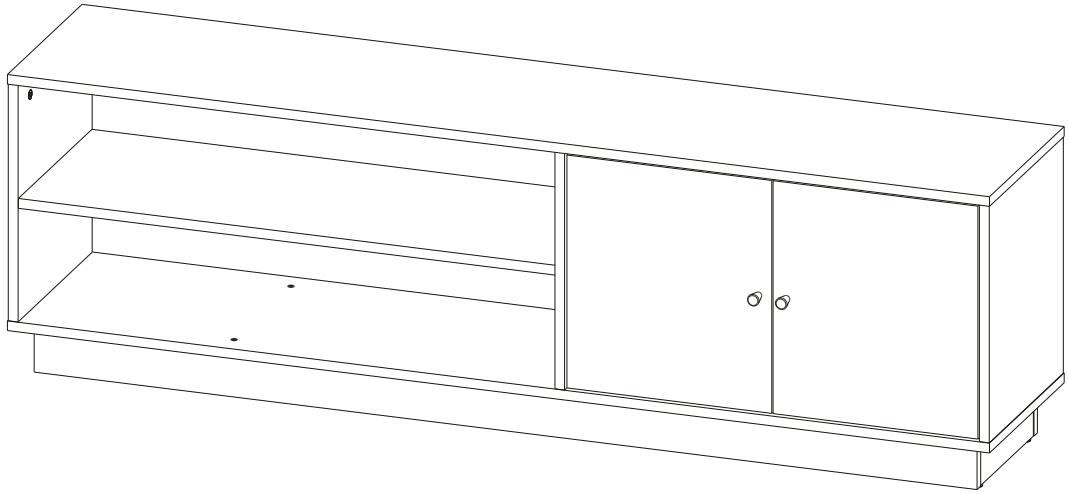
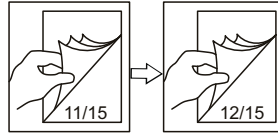
# 15



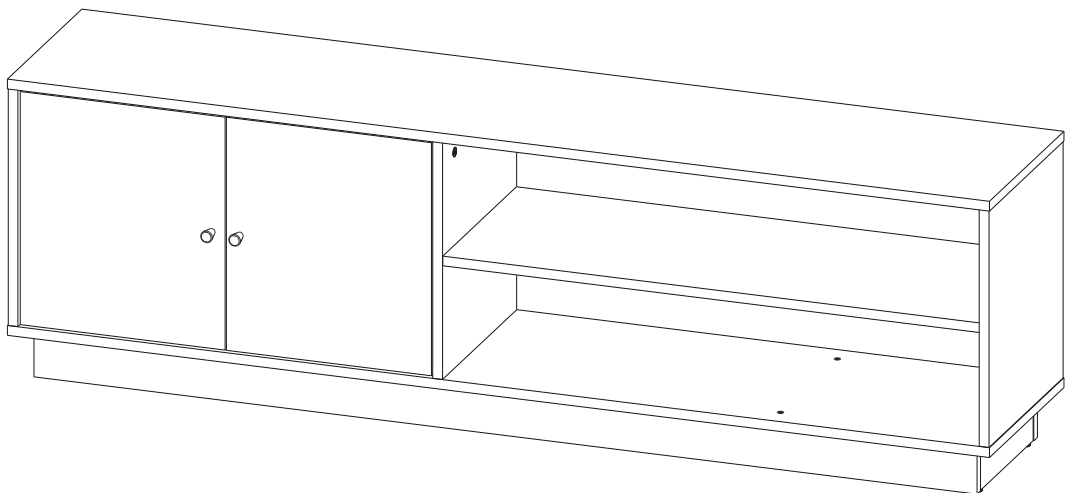
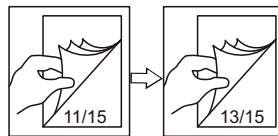
# 16



# Variant 1

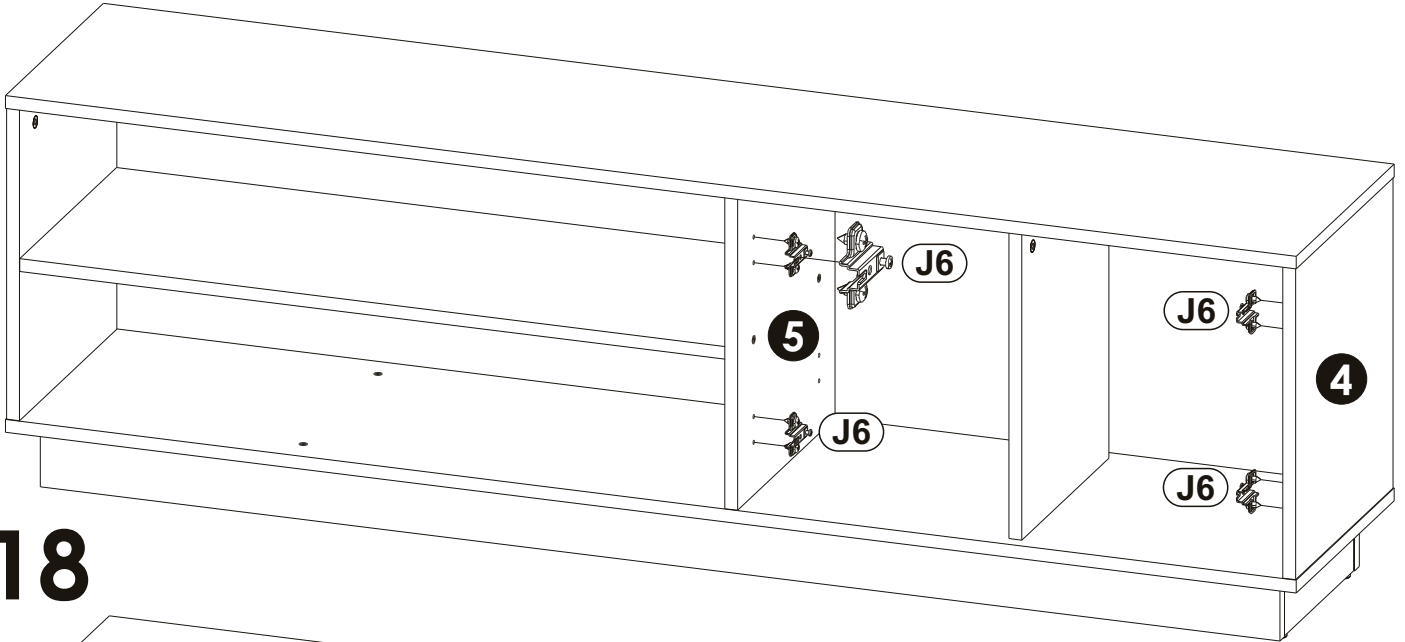
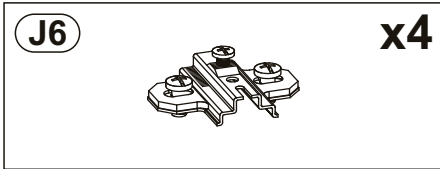


# Variant 2

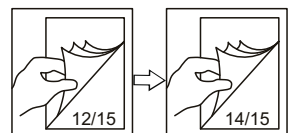
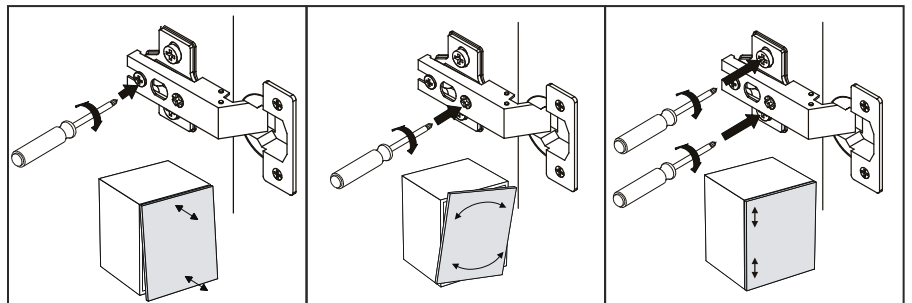
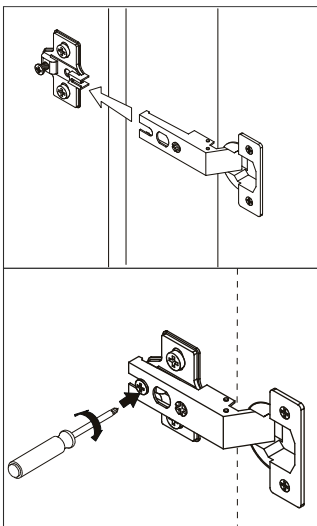
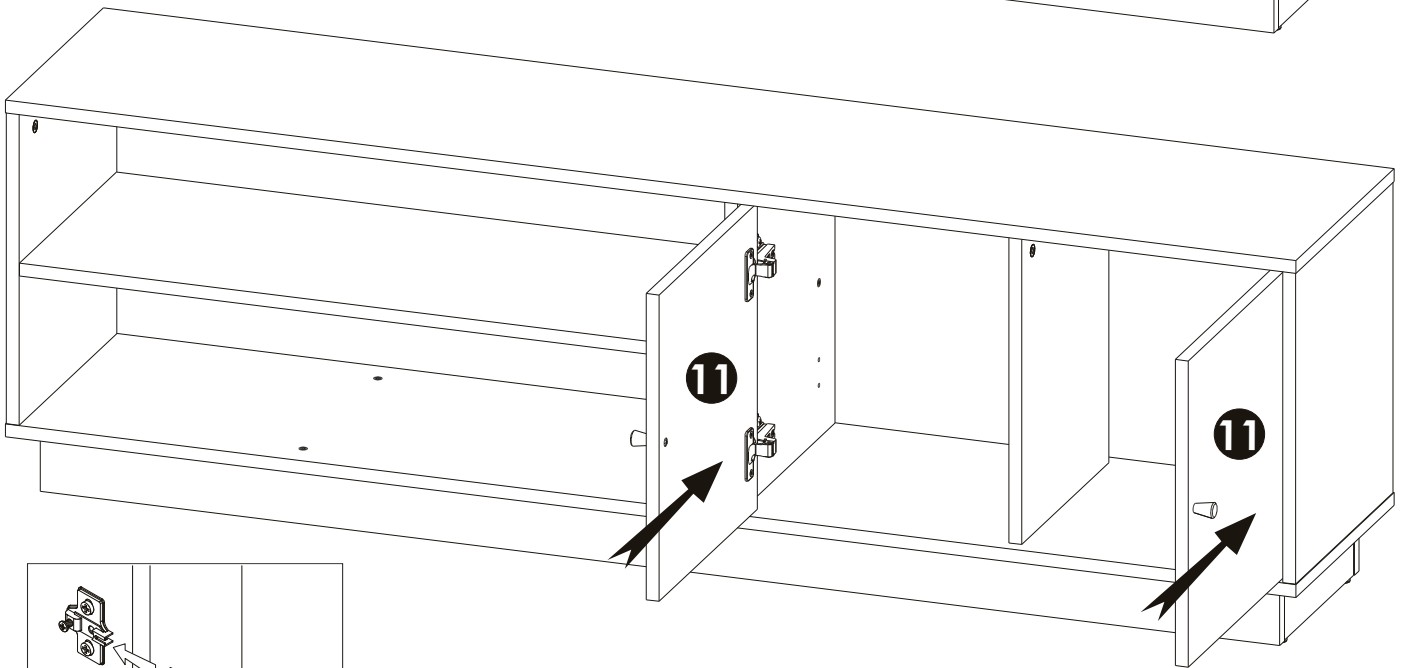


# Variant 1

17

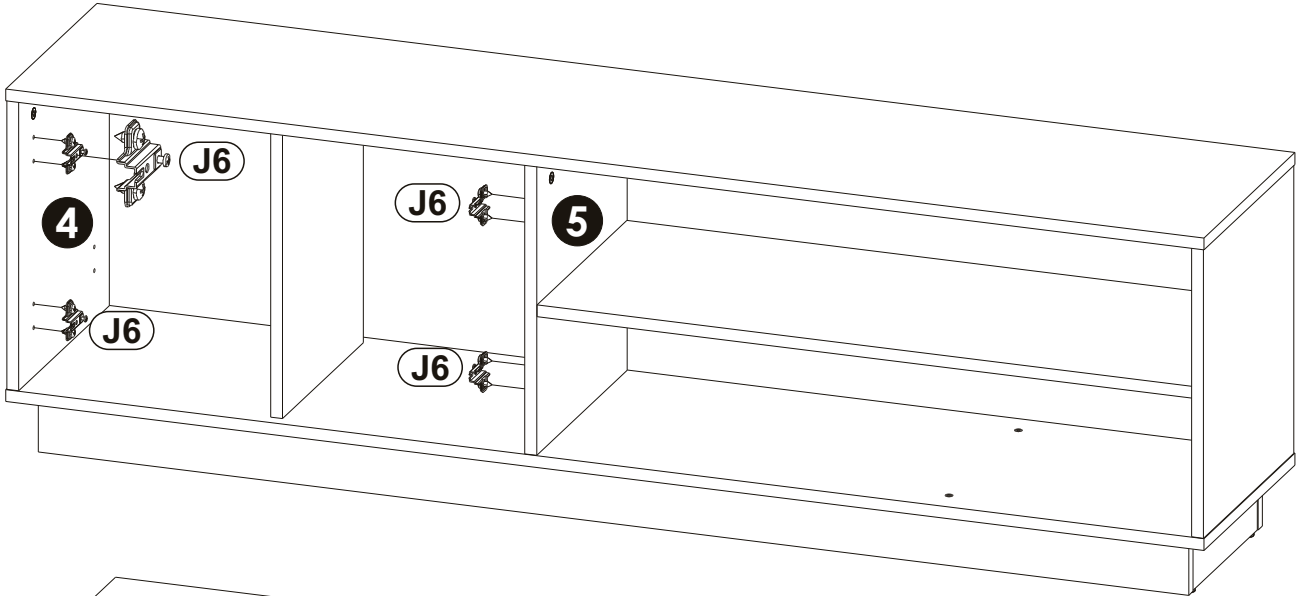
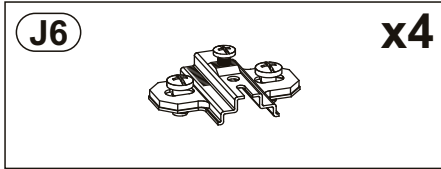


18

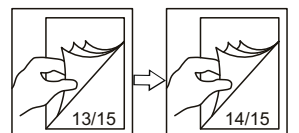
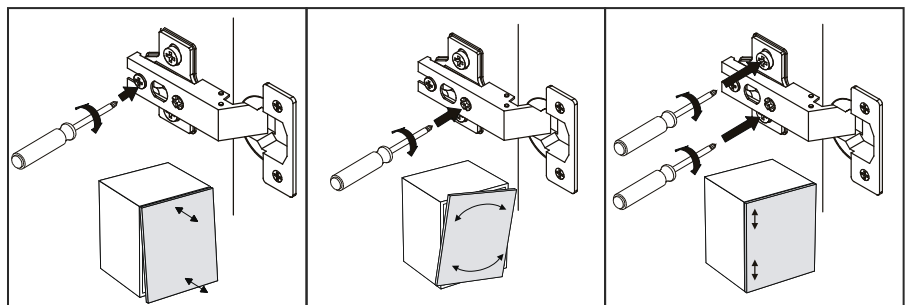
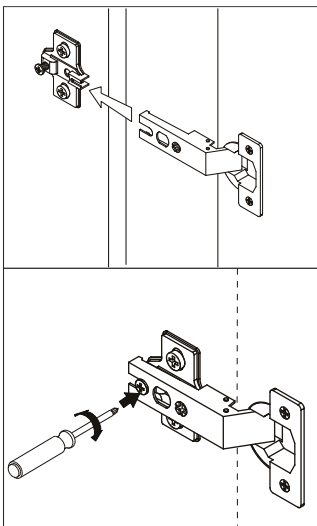
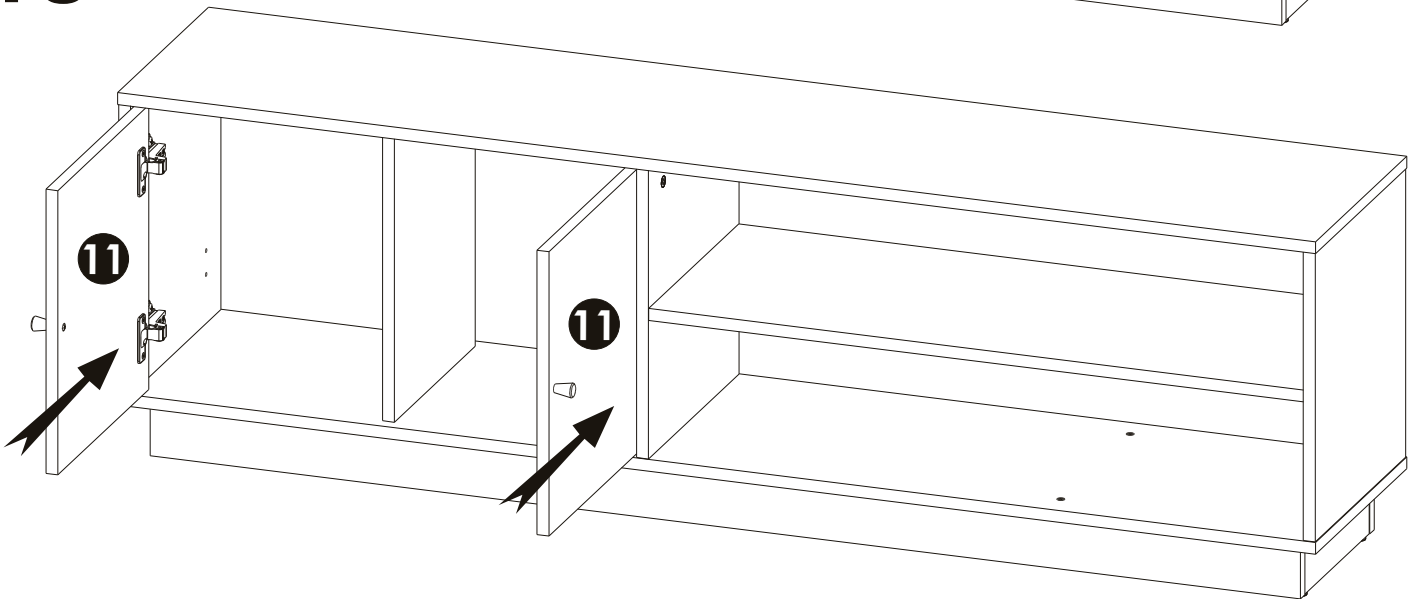


# Variant 2


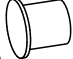

17



18



# 19

<b>B0</b>  <b>x4</b>	<b>B5</b>  Ø5mm <b>x8</b>	<b>C0</b>  <b>x8</b>
---	---	---

