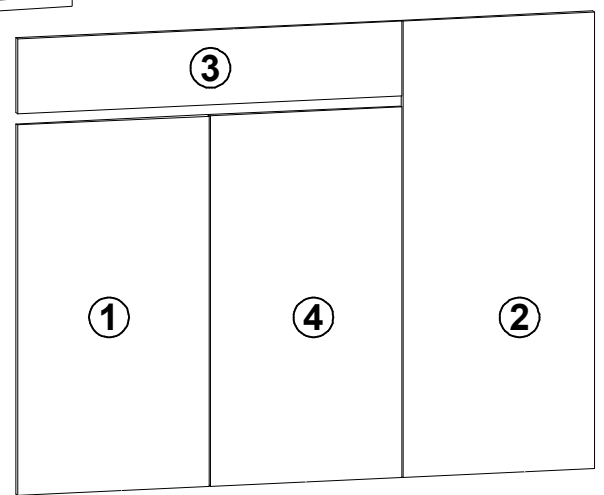
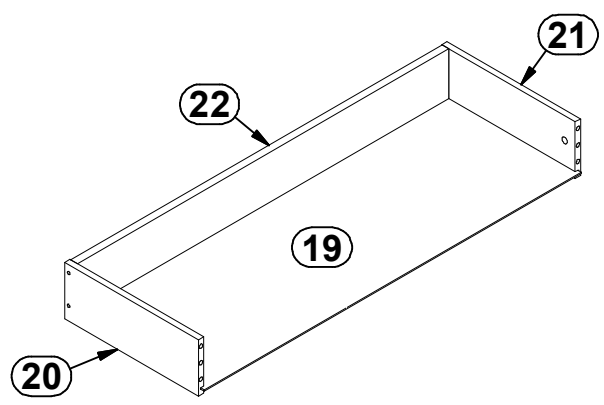
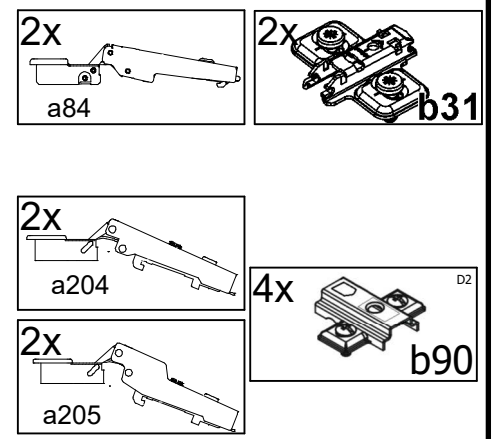
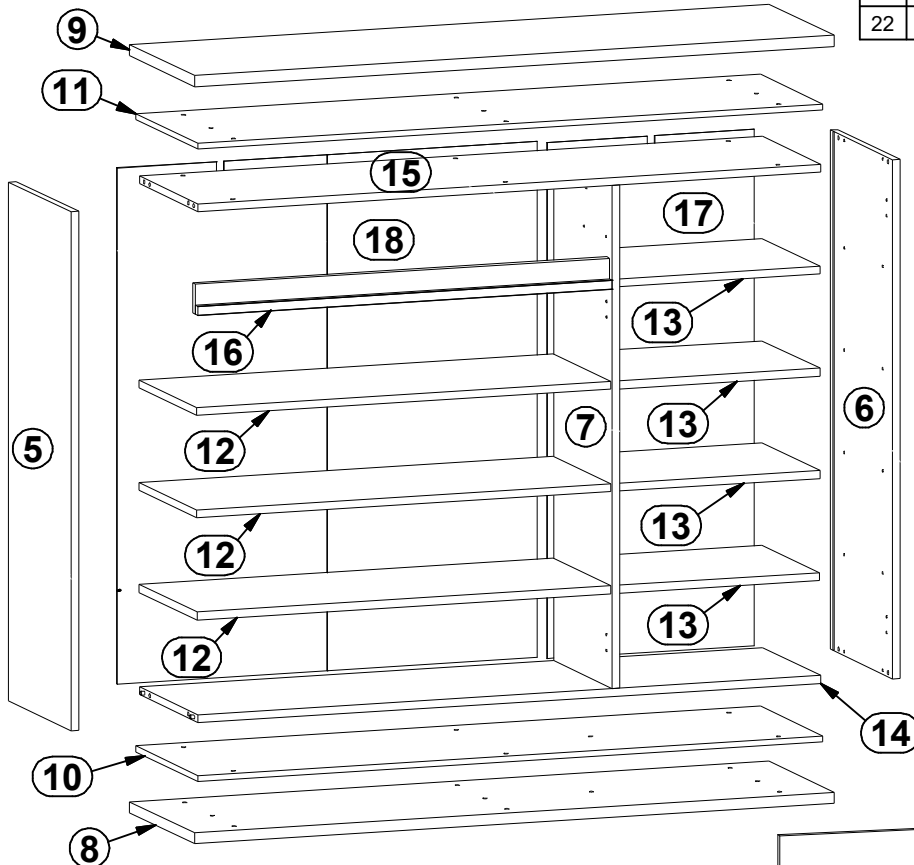
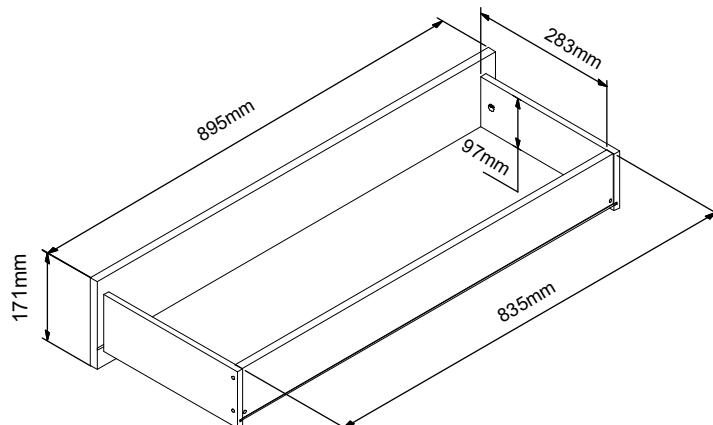
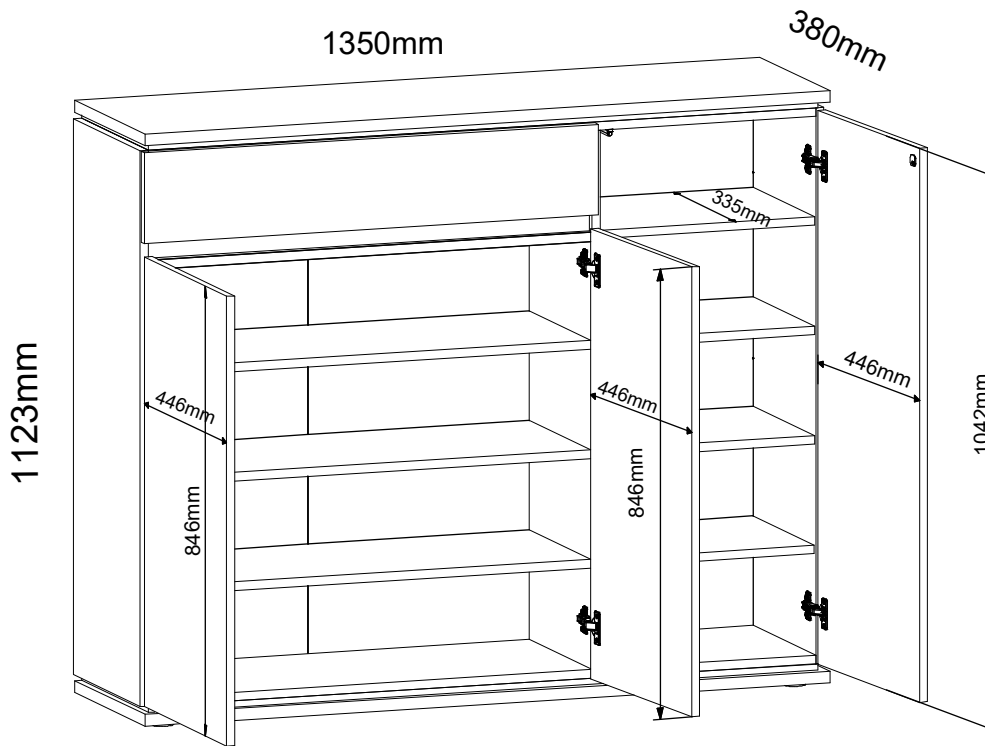
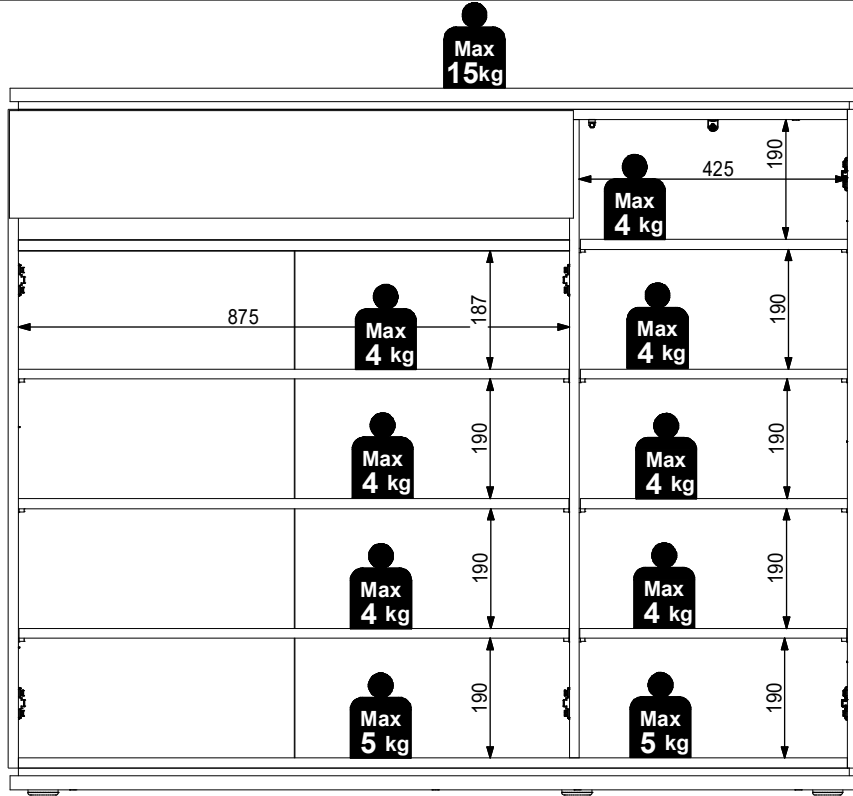
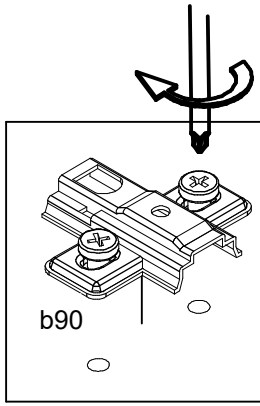
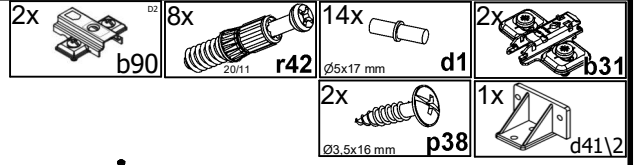


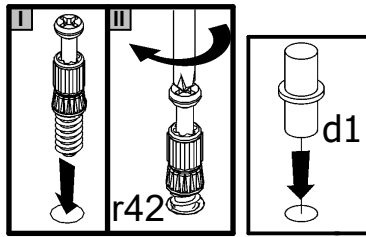
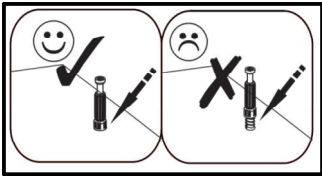
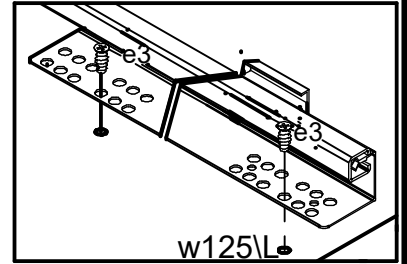
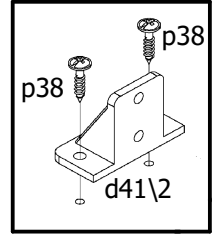
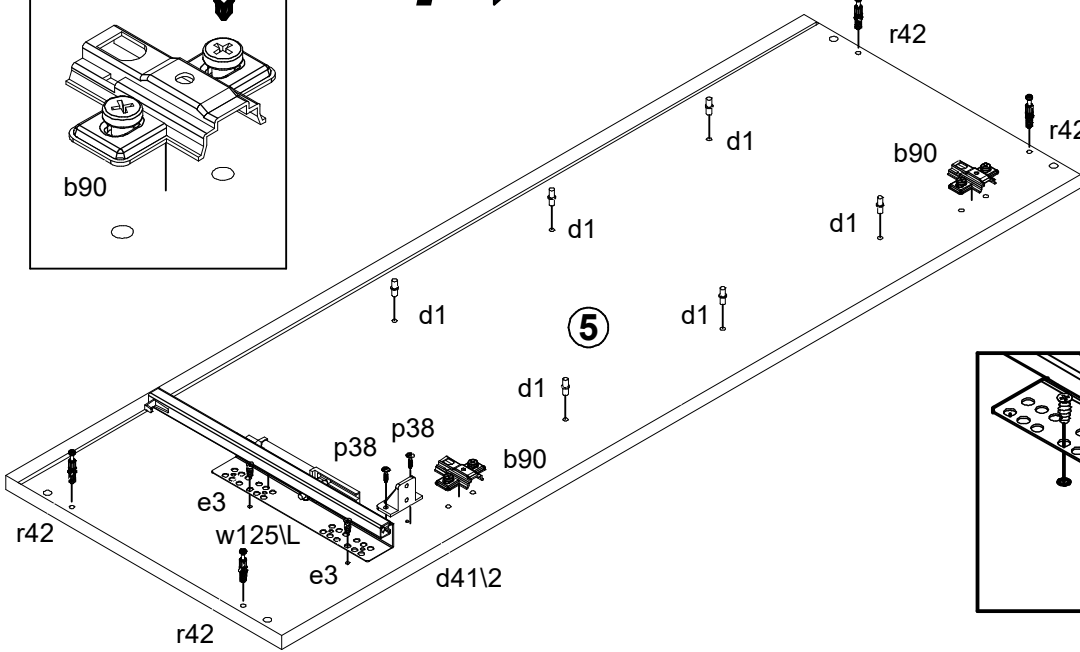
| A | B1 | B2 | C1 | C2 | C3 | C4 | D |
|----|-----------|----|------|-----|-----|----|-----|
| 1 | M277-0001 | - | 846 | 446 | 16 | 1 | 4/4 |
| 2 | M277-0002 | - | 1042 | 446 | 16 | 1 | 4/4 |
| 3 | M277-0010 | - | 895 | 171 | 16 | 1 | 4/4 |
| 4 | M277-0009 | - | 846 | 446 | 16 | 1 | 4/4 |
| 5 | M277-1001 | - | 1046 | 362 | 16 | 1 | 3/4 |
| 6 | M277-1002 | - | 1046 | 362 | 16 | 1 | 3/4 |
| 7 | M277-1003 | - | 1014 | 340 | 16 | 1 | 3/4 |
| 8 | M277-2001 | - | 1350 | 380 | 22 | 1 | 2/4 |
| 9 | M277-2002 | - | 1350 | 380 | 22 | 1 | 2/4 |
| 10 | M277-2003 | - | 1320 | 362 | 12 | 1 | 1/4 |
| 11 | M277-2004 | - | 1320 | 362 | 12 | 1 | 1/4 |
| 12 | M277-3001 | - | 874 | 335 | 16 | 3 | 1/4 |
| 13 | M277-3002 | - | 424 | 335 | 16 | 4 | 1/4 |
| 14 | M277-3003 | - | 1316 | 340 | 16 | 1 | 2/4 |
| 15 | M277-3004 | - | 1316 | 340 | 16 | 1 | 2/4 |
| 16 | M277-5001 | - | 875 | 60 | 32 | 1 | 4/4 |
| 17 | M277-9001 | - | 1040 | 437 | 2,5 | 1 | 3/4 |
| 18 | M277-9301 | - | 1040 | 887 | 2,5 | 1 | 3/4 |
| 19 | WSP-9453 | - | 846 | 308 | 2,5 | 1 | 4/4 |
| 20 | WSQ2-5003 | - | 300 | 110 | 12 | 1 | 4/4 |
| 21 | WSQ2-5004 | - | 300 | 110 | 12 | 1 | 4/4 |
| 22 | ZQ6-5464 | - | 835 | 97 | 15 | 1 | 3/4 |



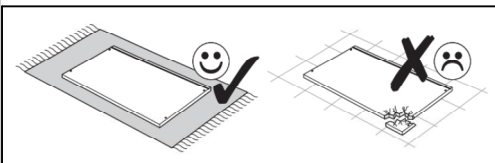
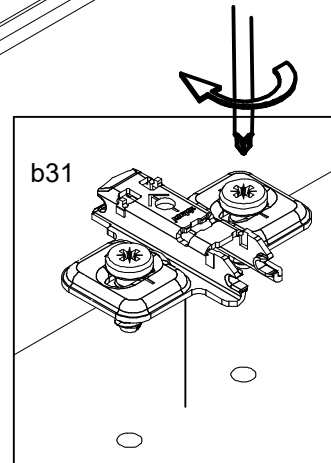
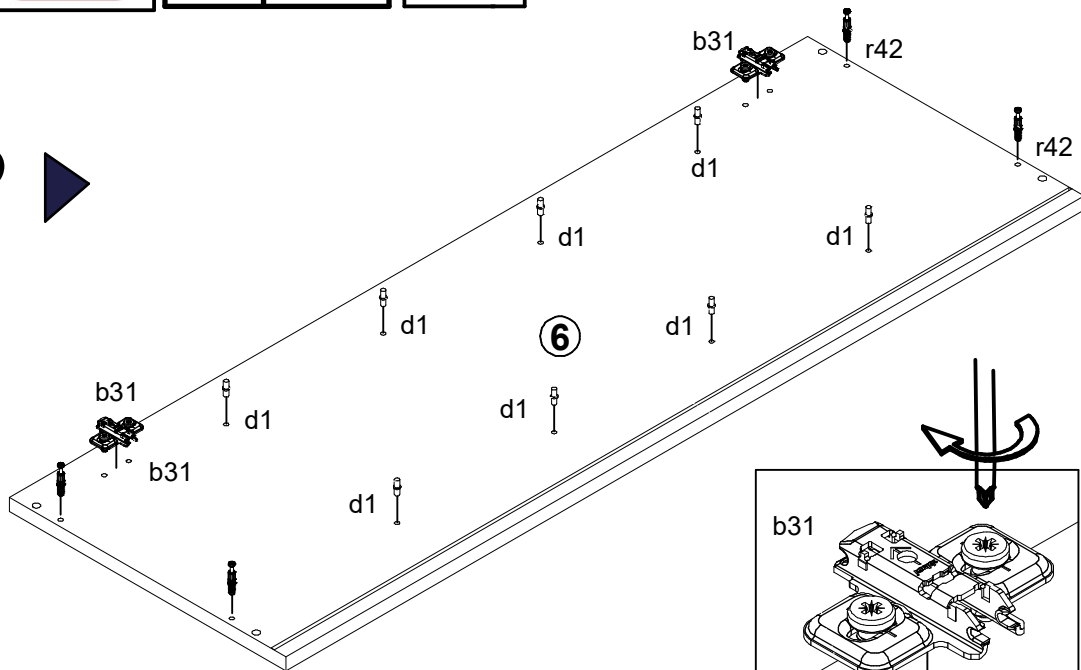




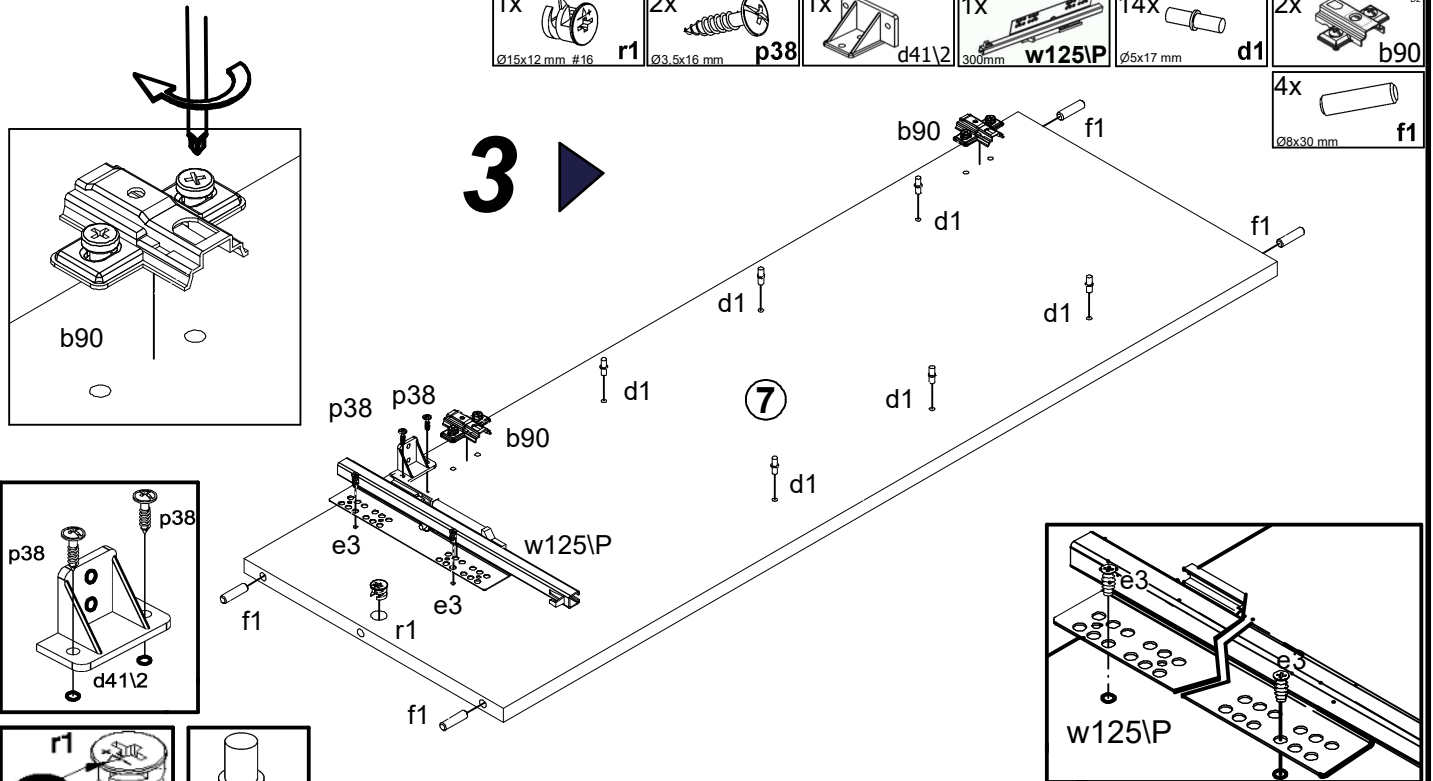
1 ▶



2 ▶



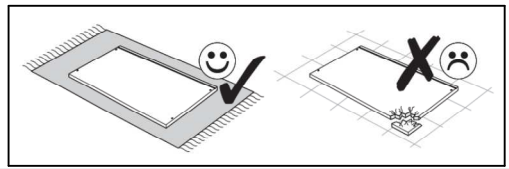
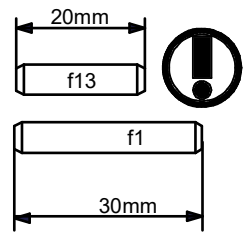
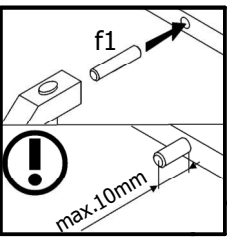
| | | | | | |
|---------------------------|-------------------------|-------------|-----------------------|-----------------------|----------------------|
| 1x Ø15x12 mm #16 r1 | 2x Ø3.5x16 mm p38 | 1x d41\2 | 1x 300mm w125\P | 14x Ø5x17 mm d1 | 2x b90 |
| | | | | | 4x Ø8x30 mm f1 |

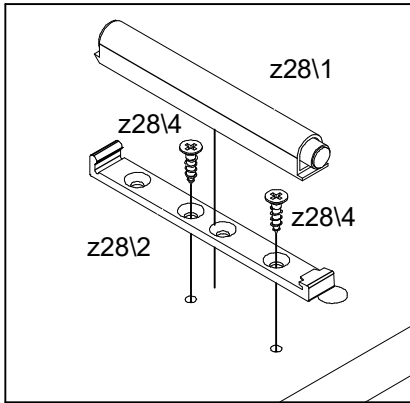
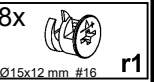
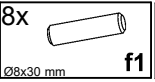
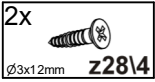
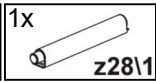
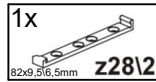


3

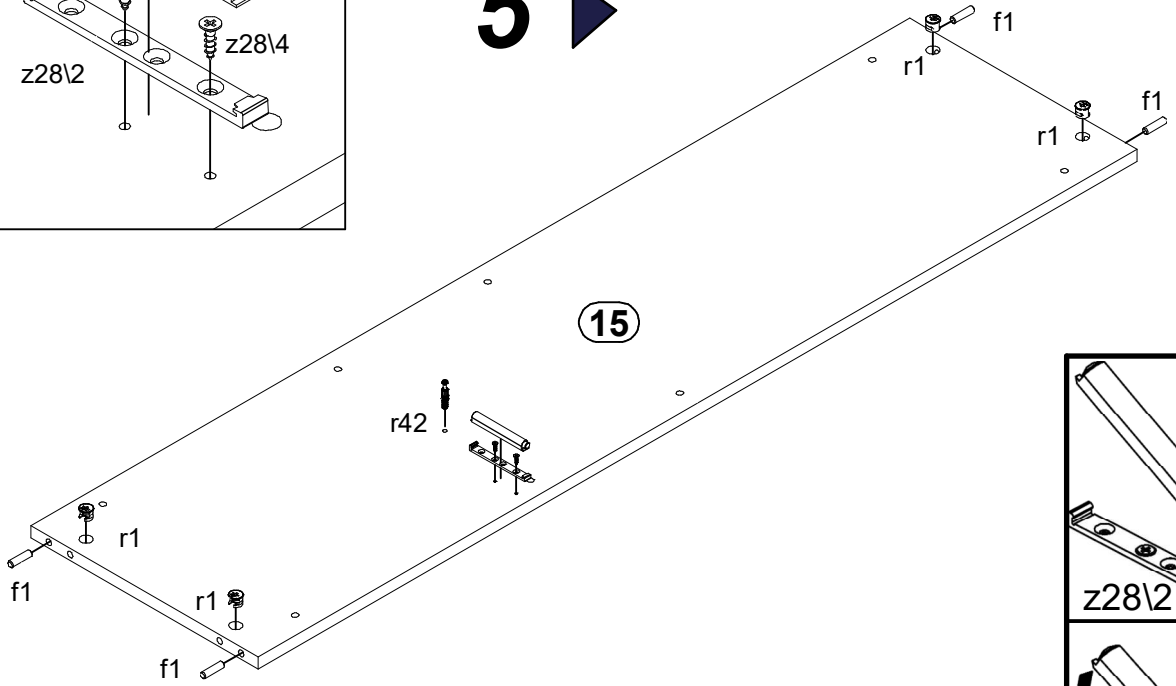
7

4

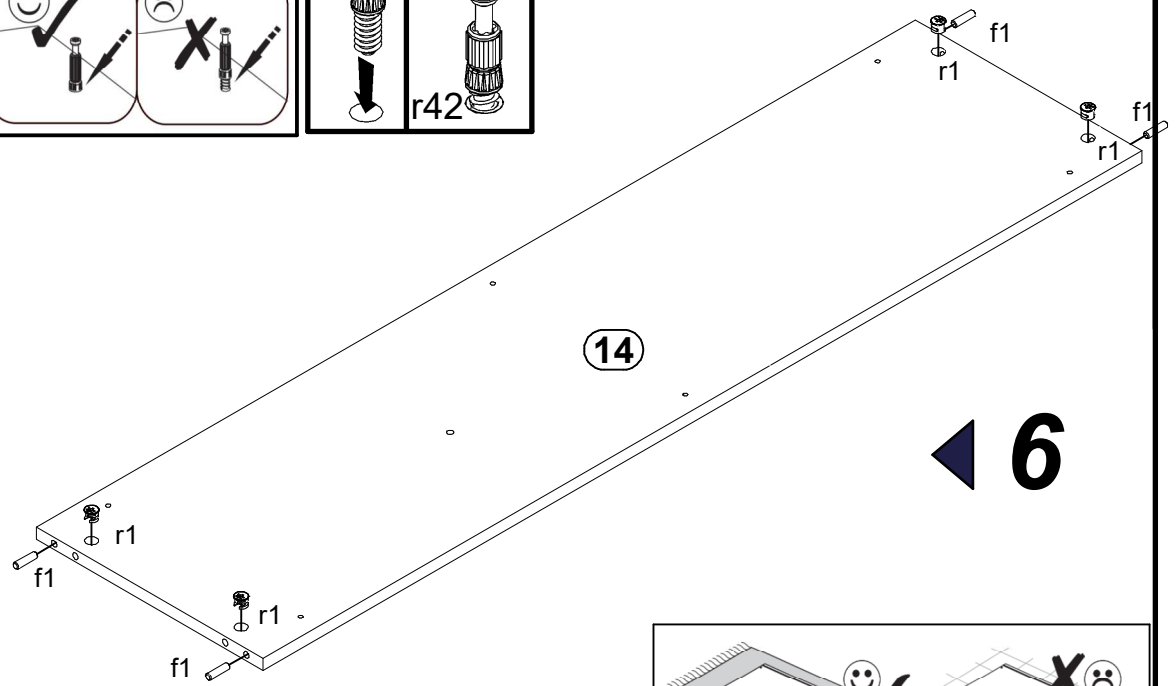
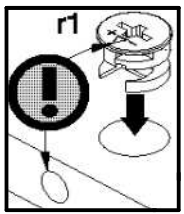
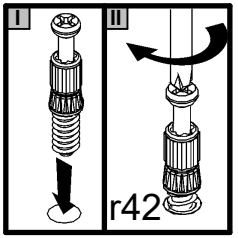
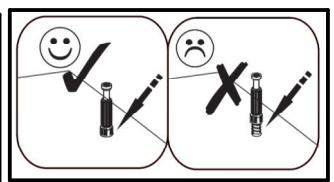
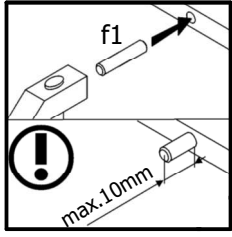
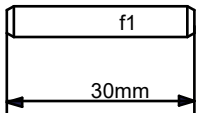
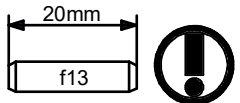
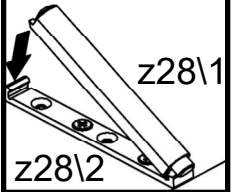
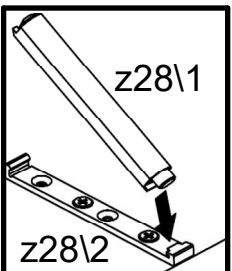




5 ▶

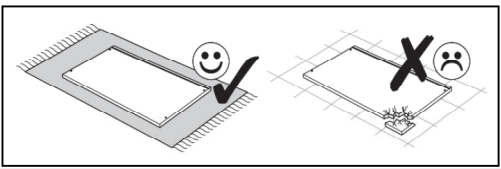


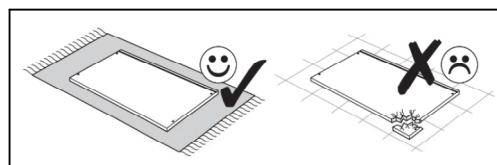
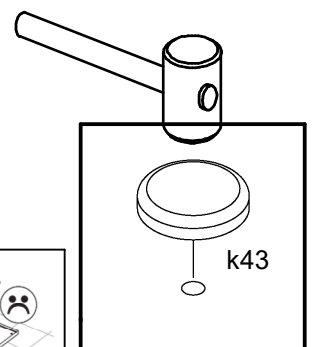
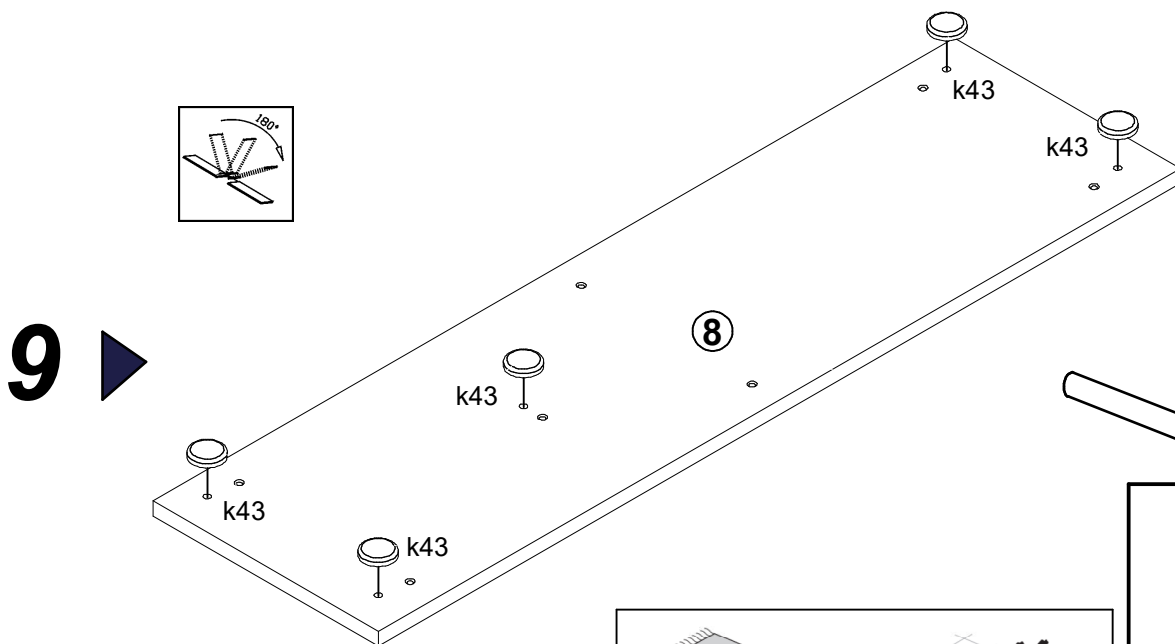
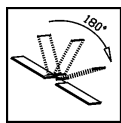
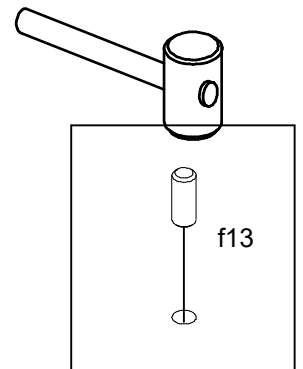
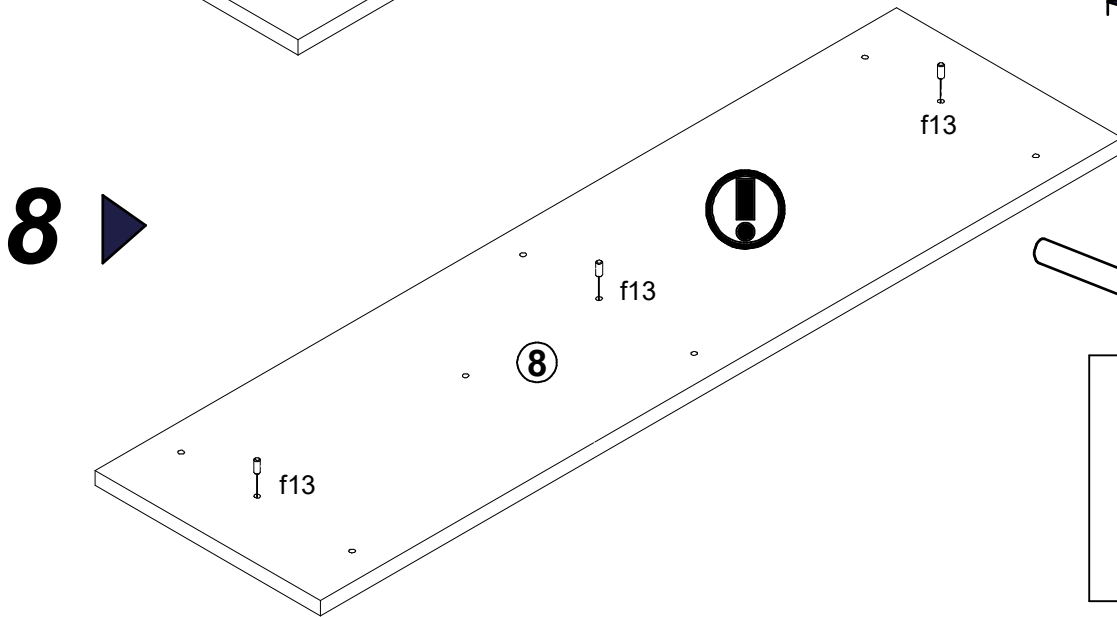
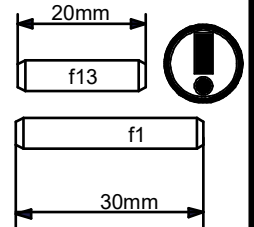
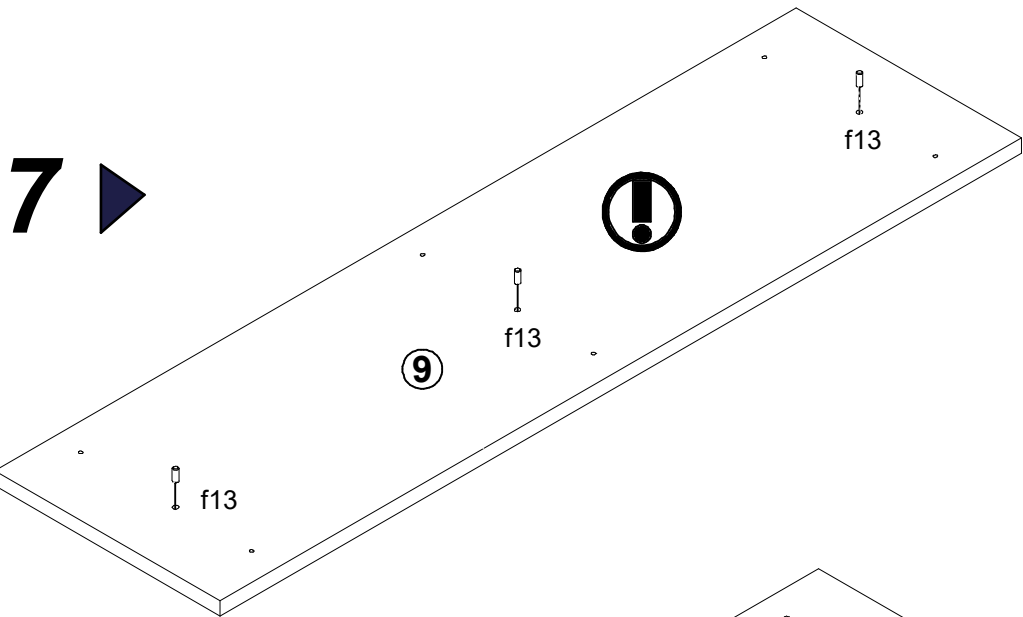
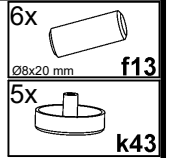
15



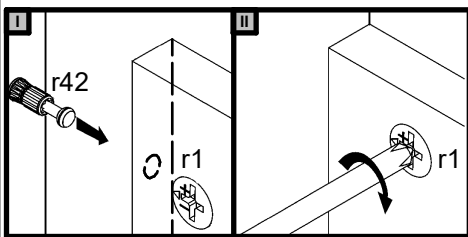
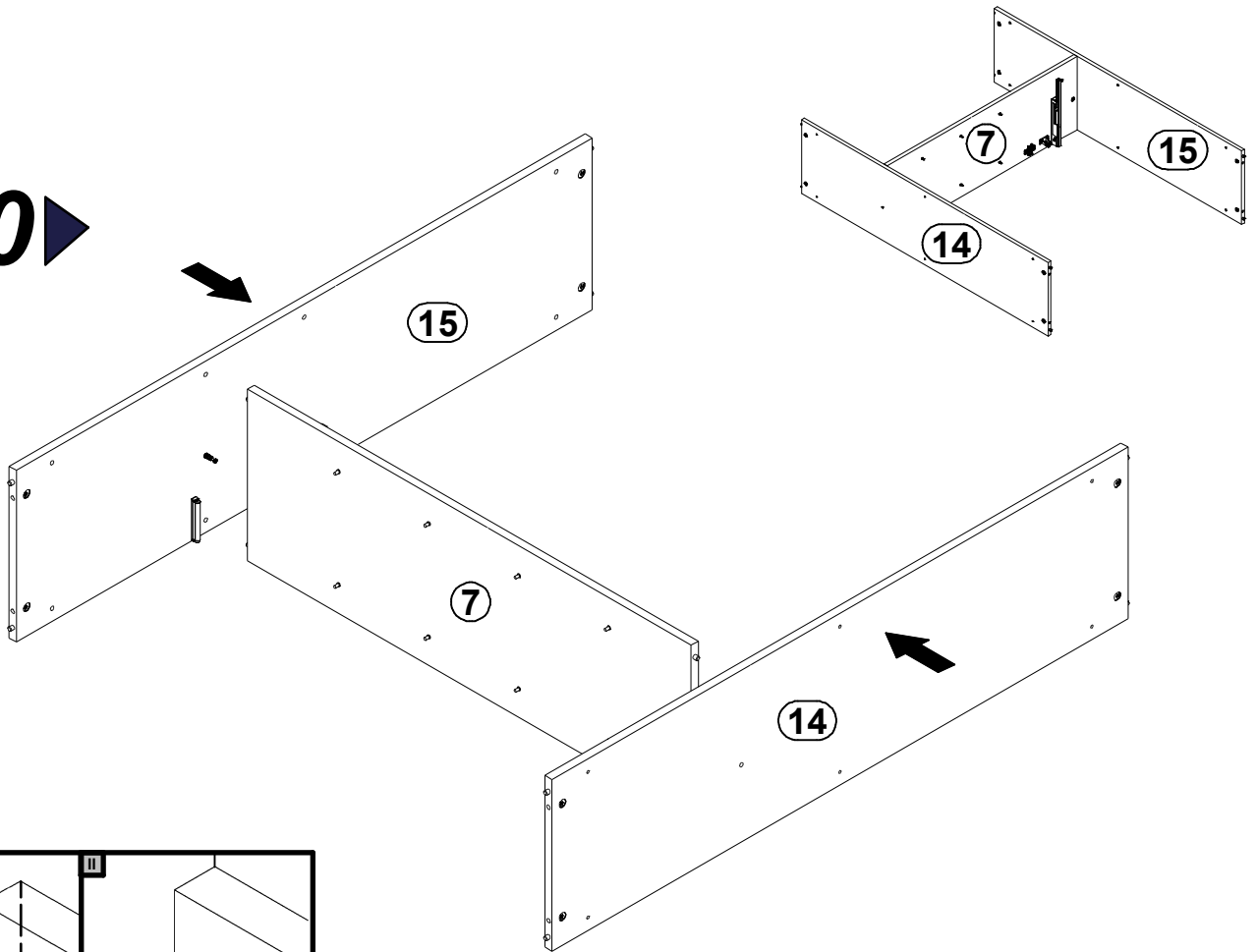
14

▶ 6

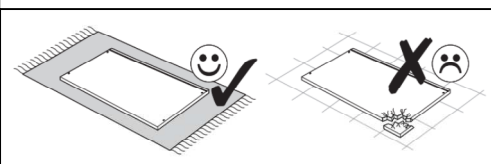
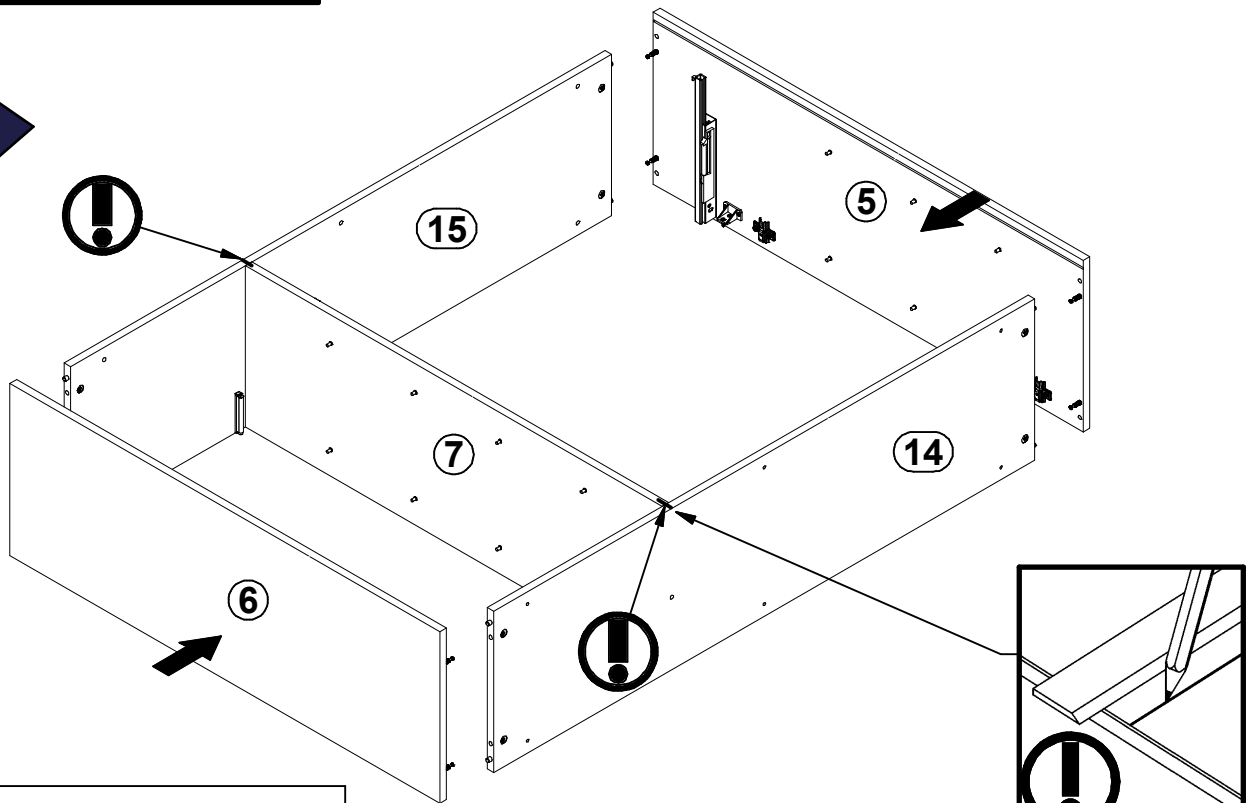




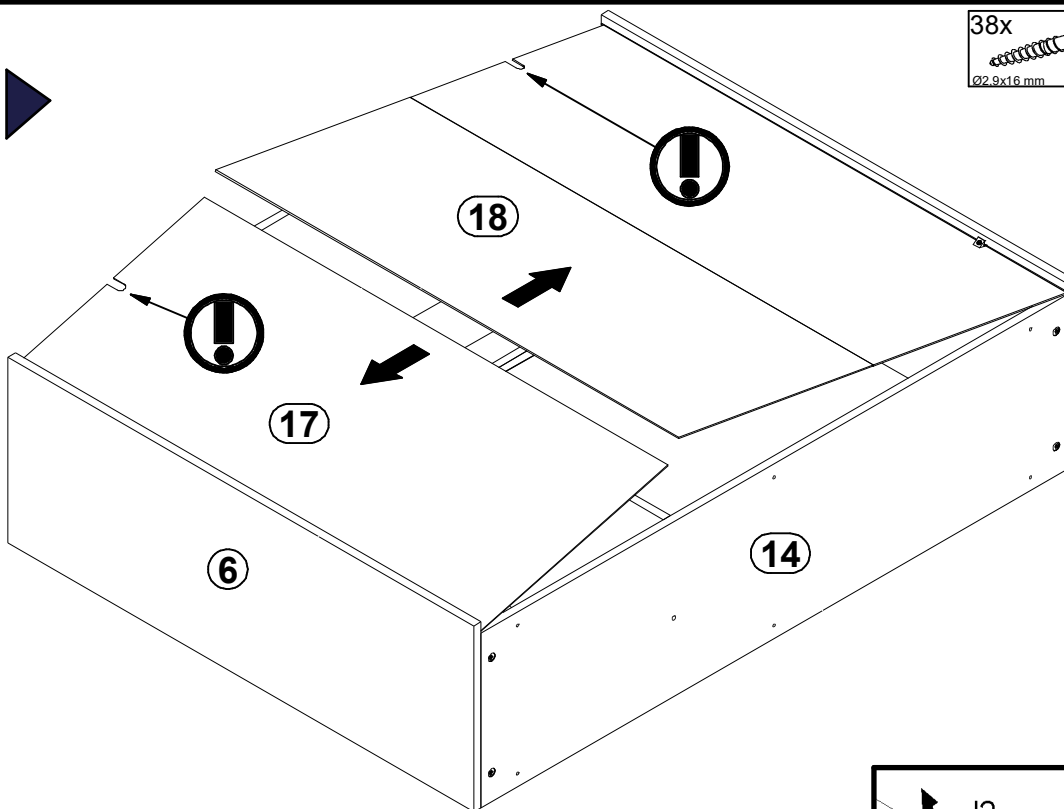
10 ▶



11 ▶



12 ▶

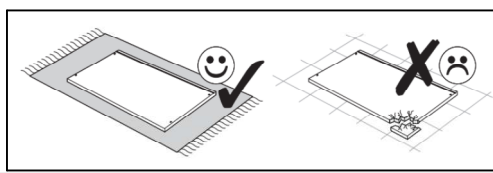
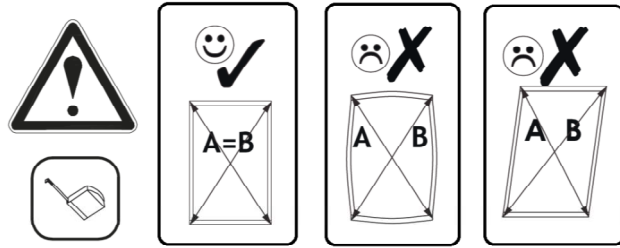
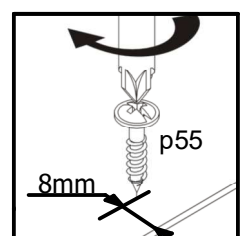
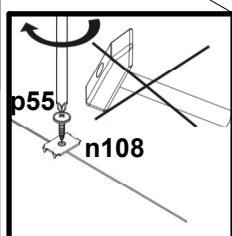
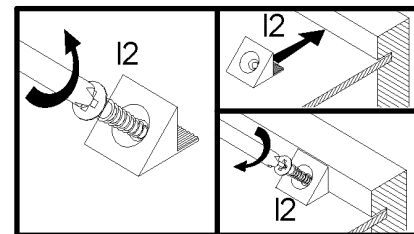
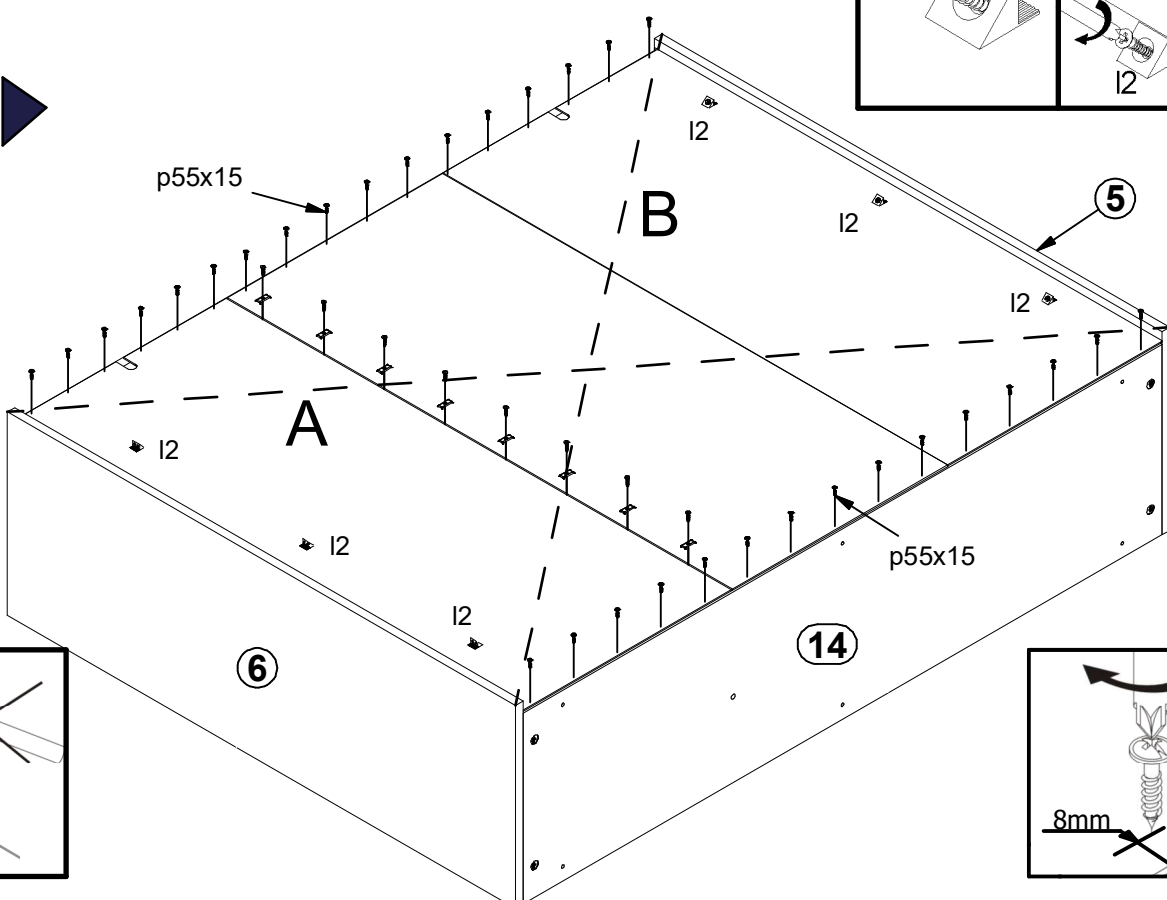


38x
 Ø2.9x16 mm
 p55

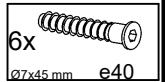
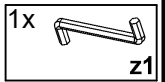
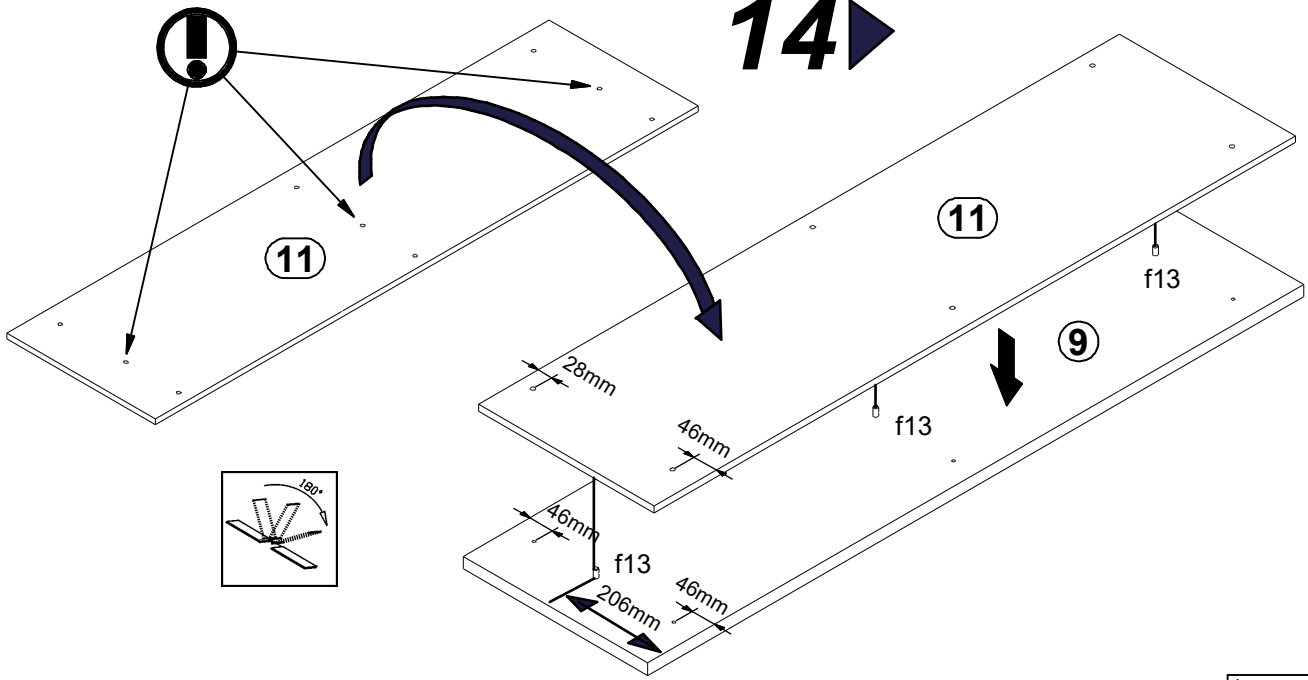
8x
 20x13x3.9 L
 n108

6x
 I2

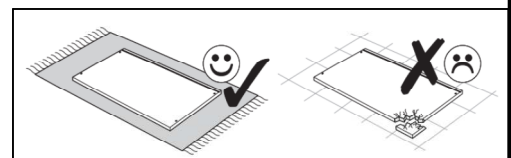
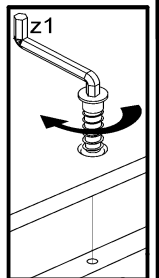
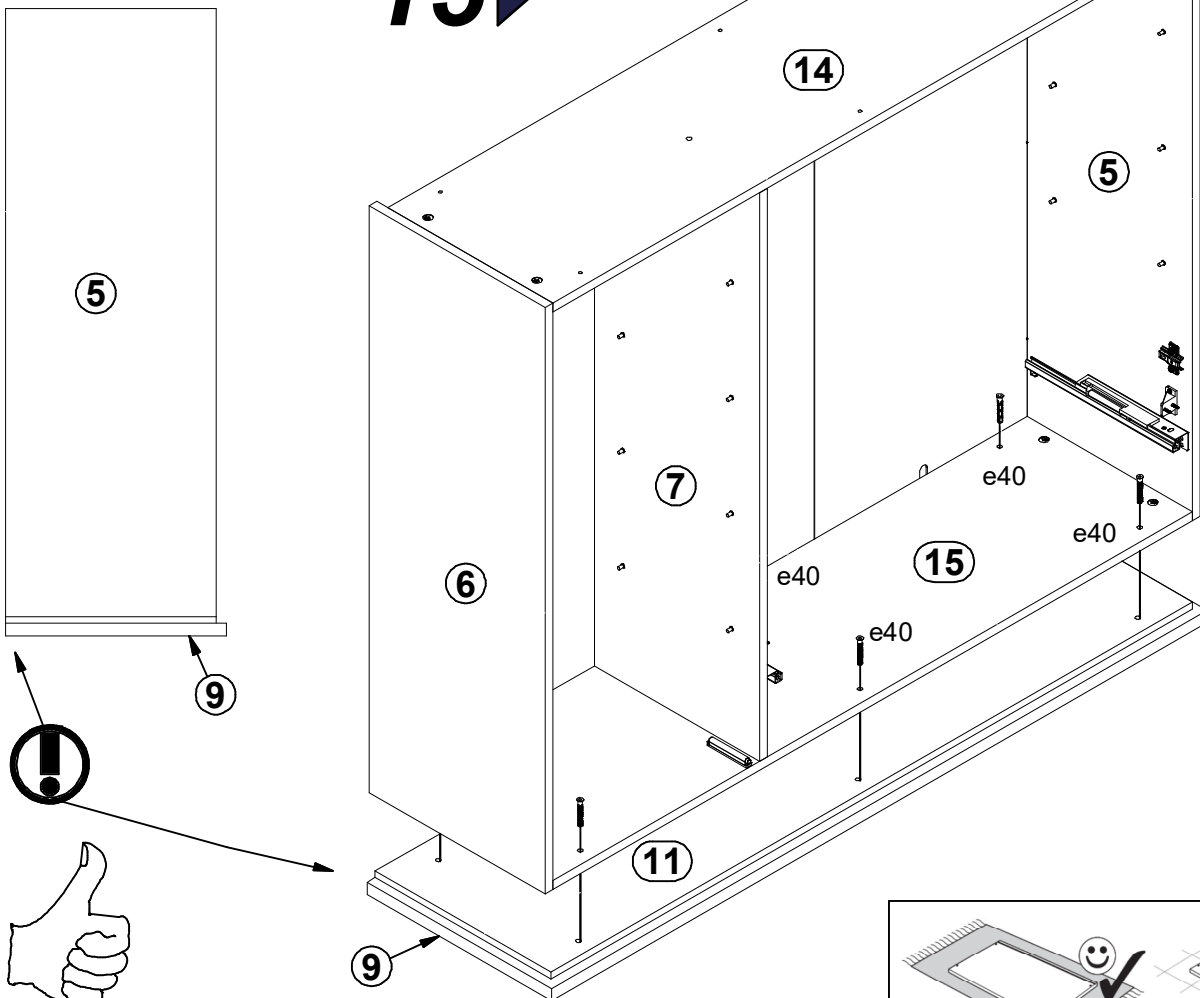
13 ▶

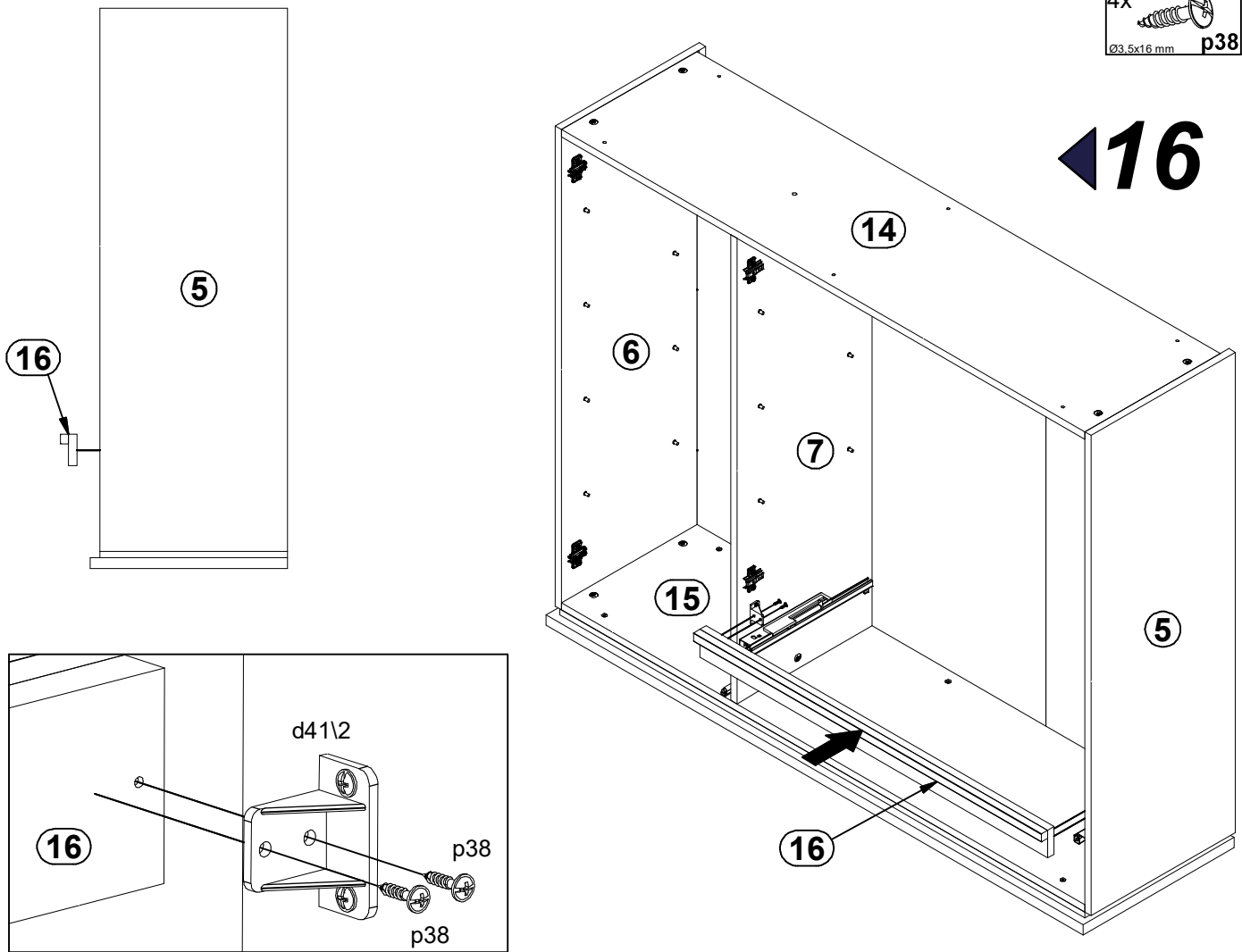
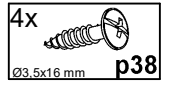


14

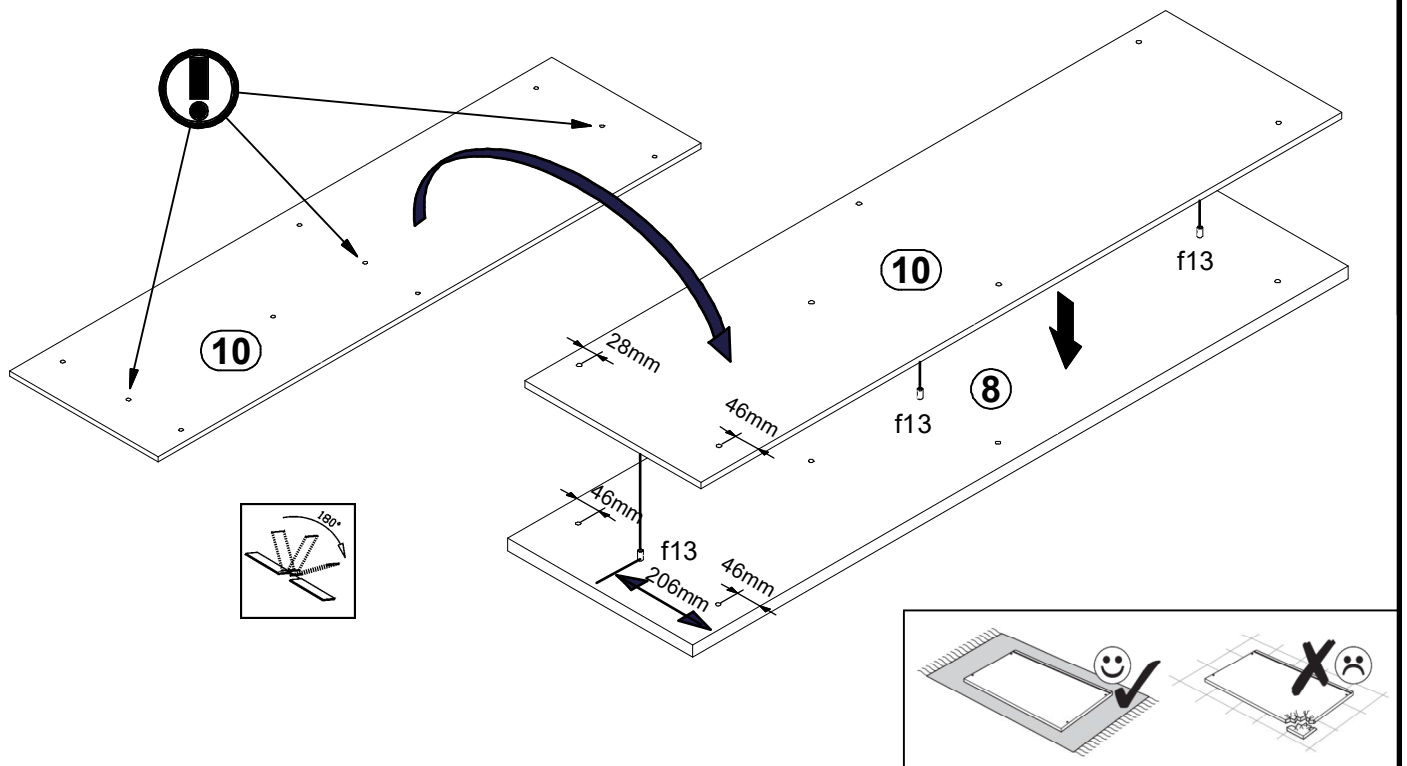


15

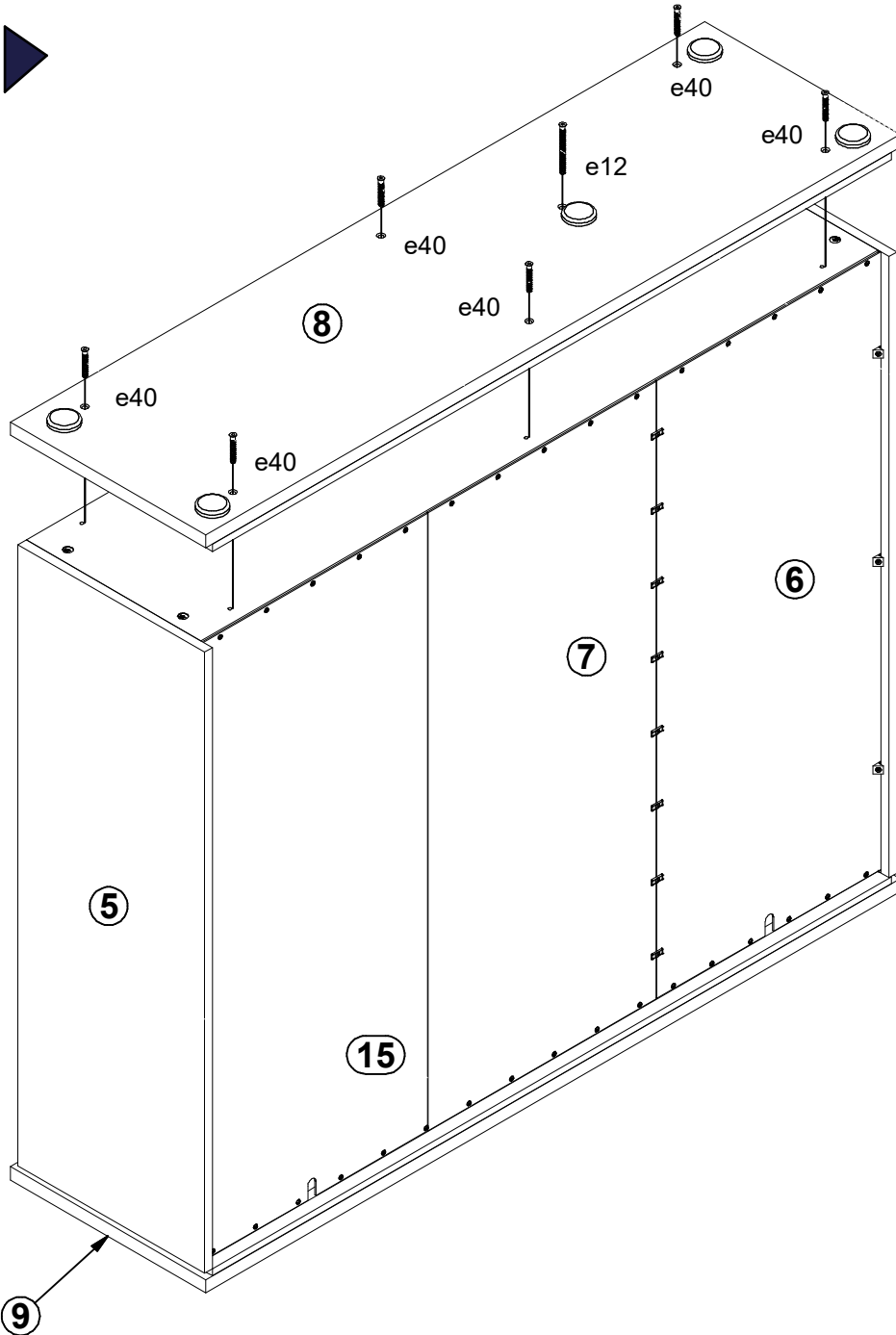




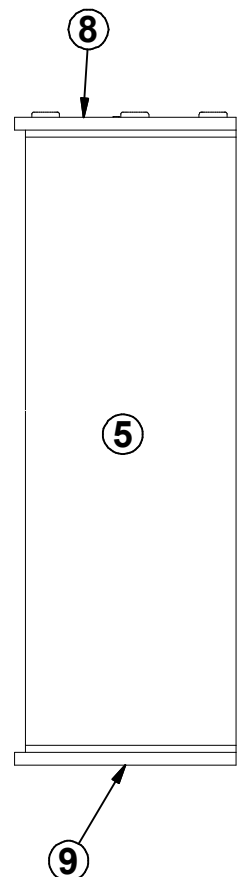
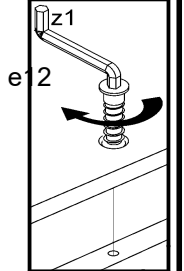
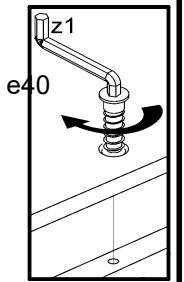
17



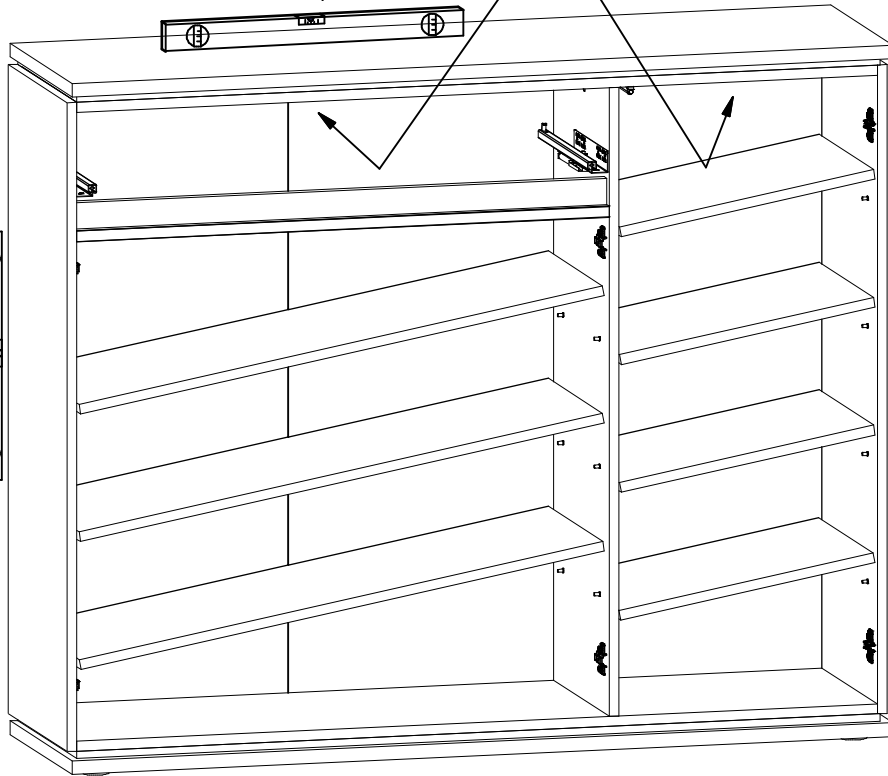
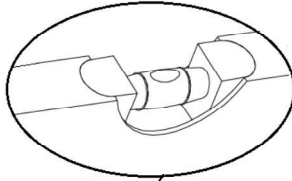
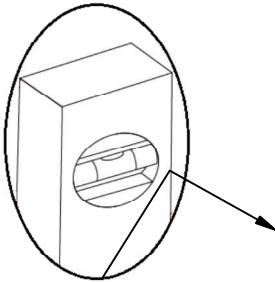
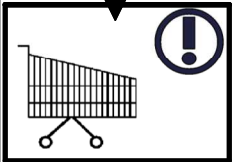
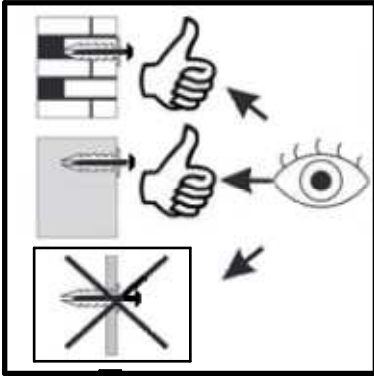
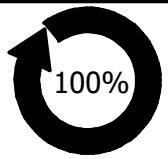
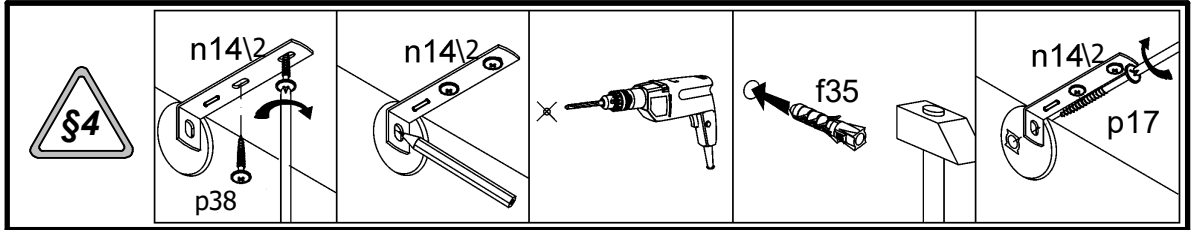
18 ▶



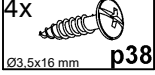
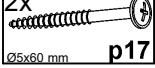


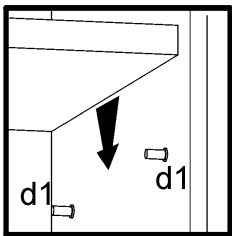
- 1x e12 Ø7x83 mm
- 6x e40 Ø7x45 mm
- 1x z1



19 ▶

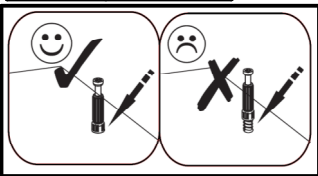
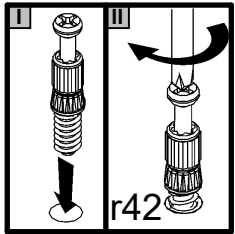
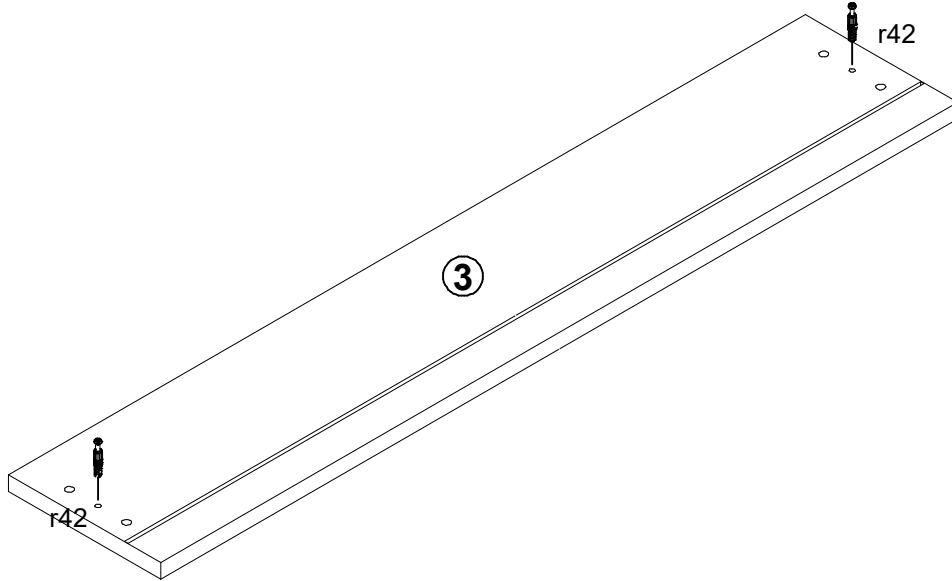


- 2x  n14/2
86x21x15/1,5
- 2x  f35
Ø10x50 mm
- 4x  p38
Ø3,5x16 mm
- 2x  p17
Ø5x60 mm

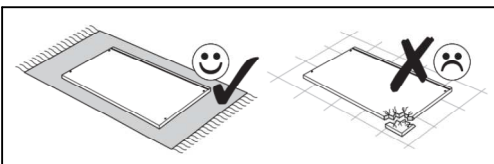
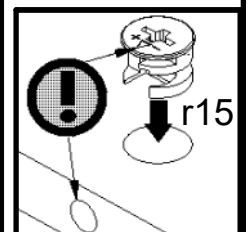
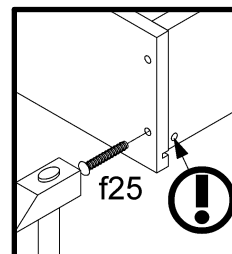
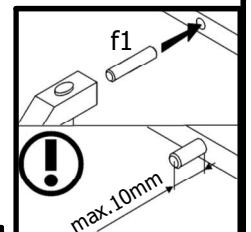
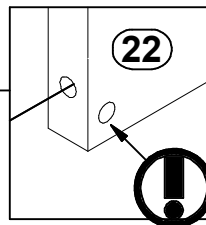
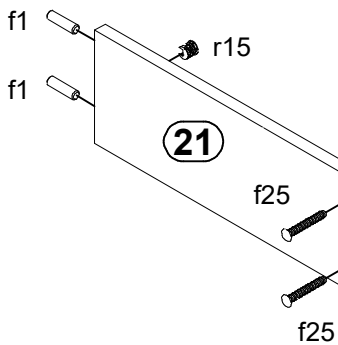
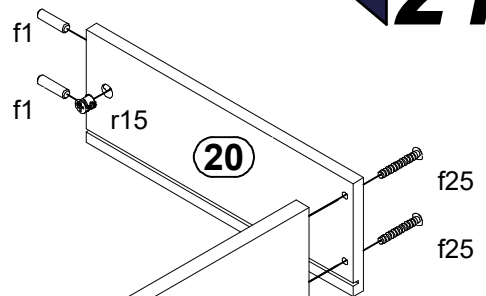


20 ▶

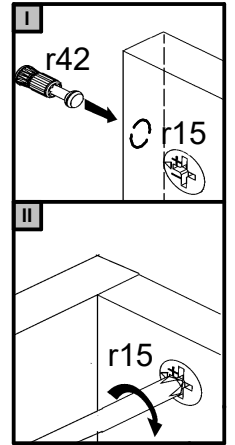
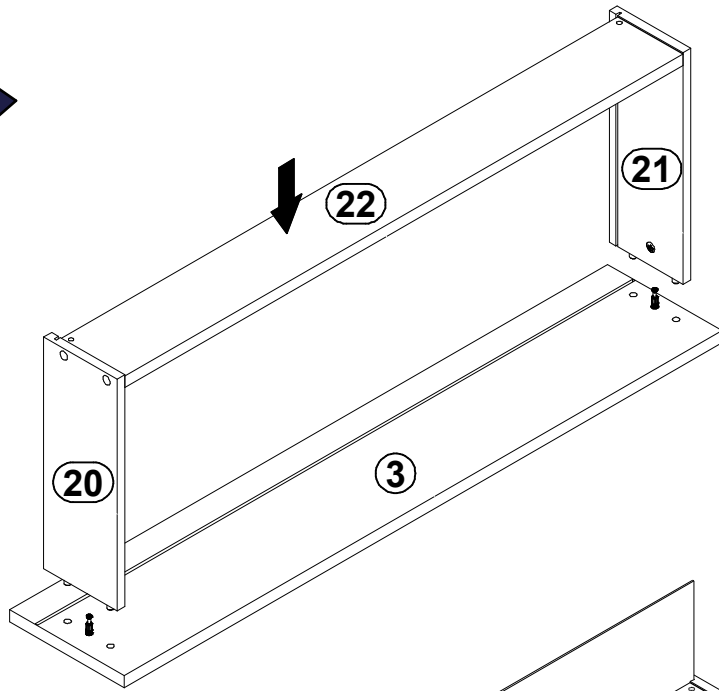
- 2x r42
- 4x f1
- 4x f25
- 2x r15



◀ 21

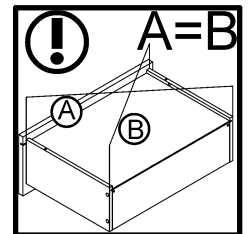
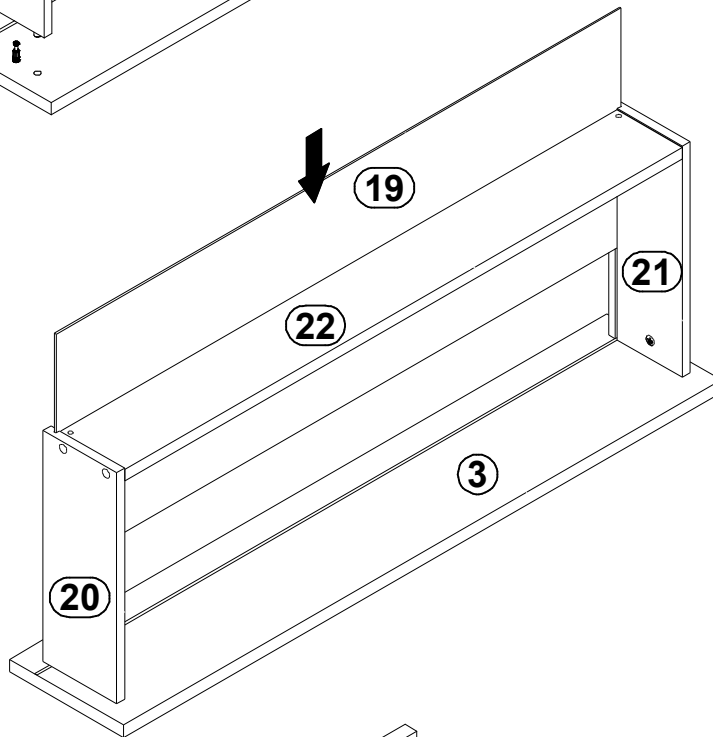


22 ▶

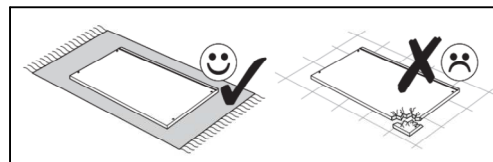
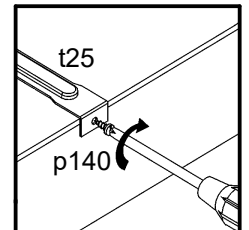
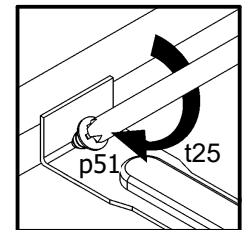
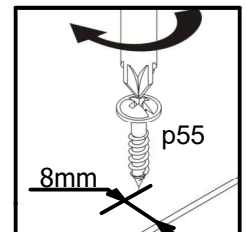
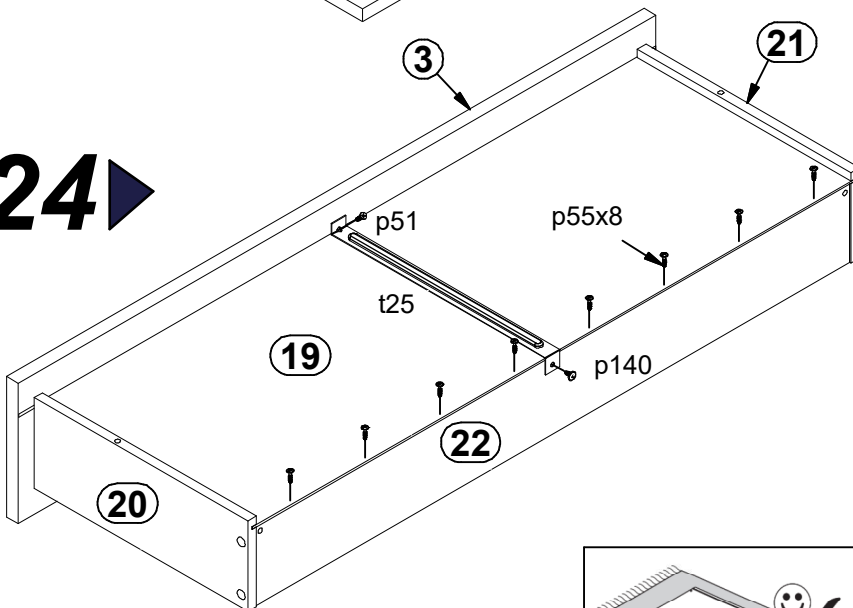


- 1x Ø3.5x12mm p140
- 8x Ø2.9x16 mm p55
- 1x Ø3.5x15 mm p51
- 1x 300 mm t25

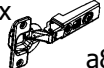





23 ▶

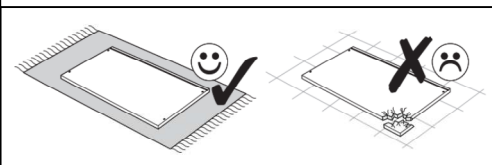
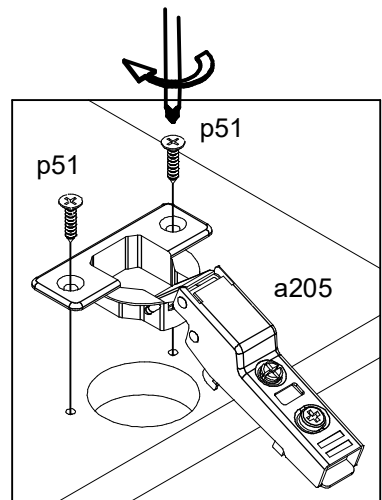
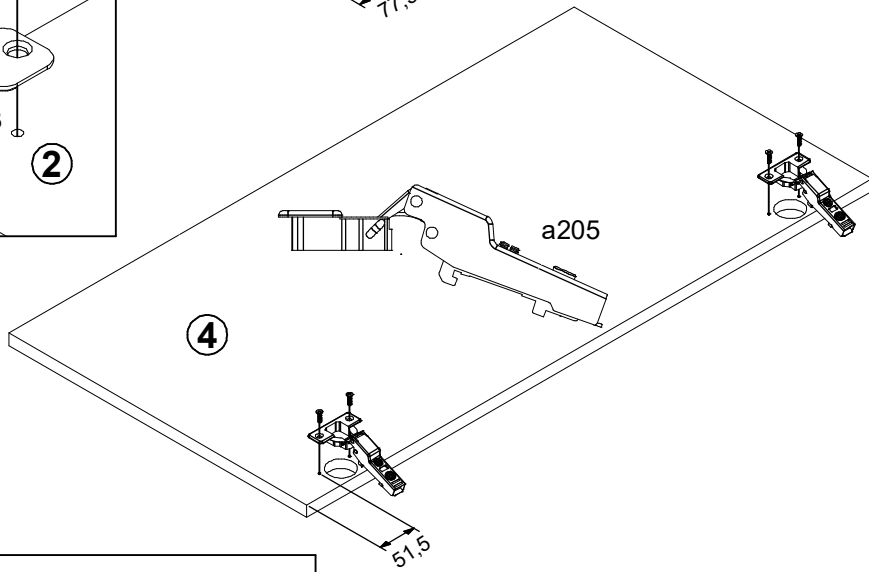
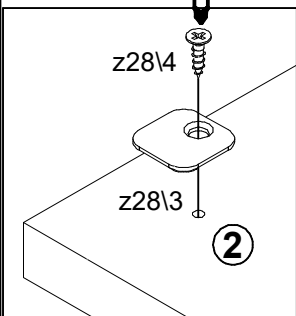
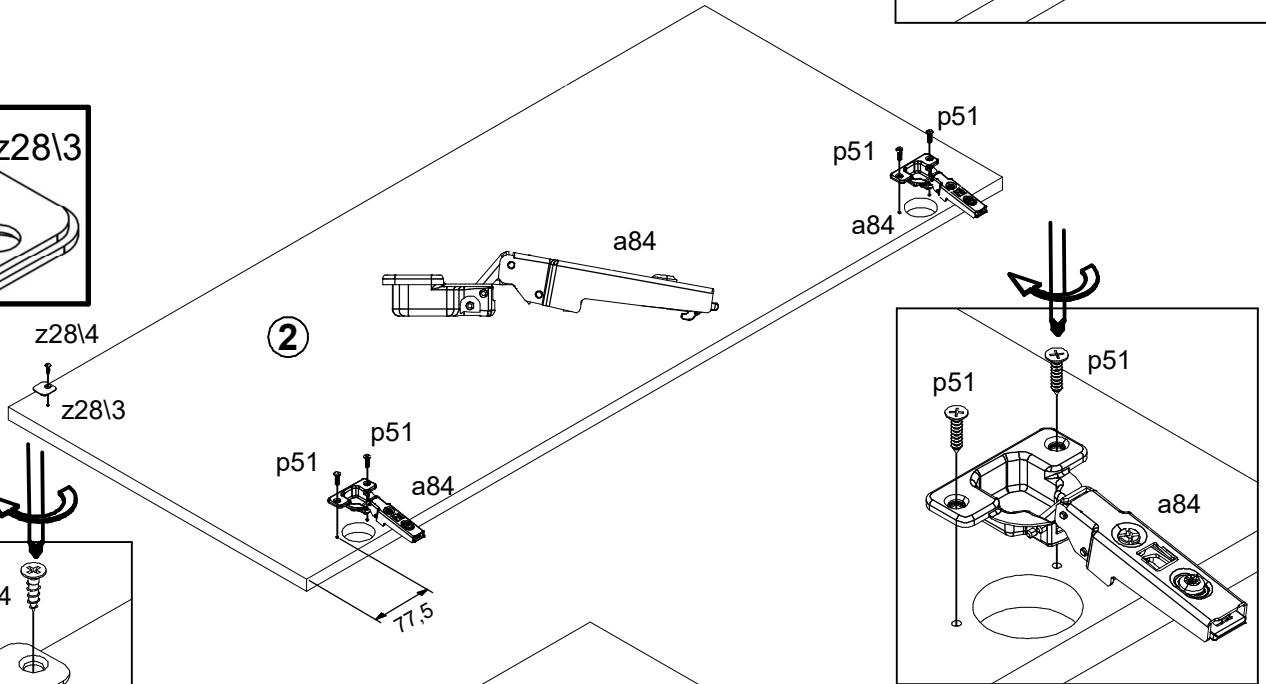
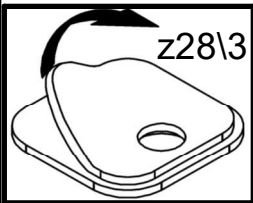
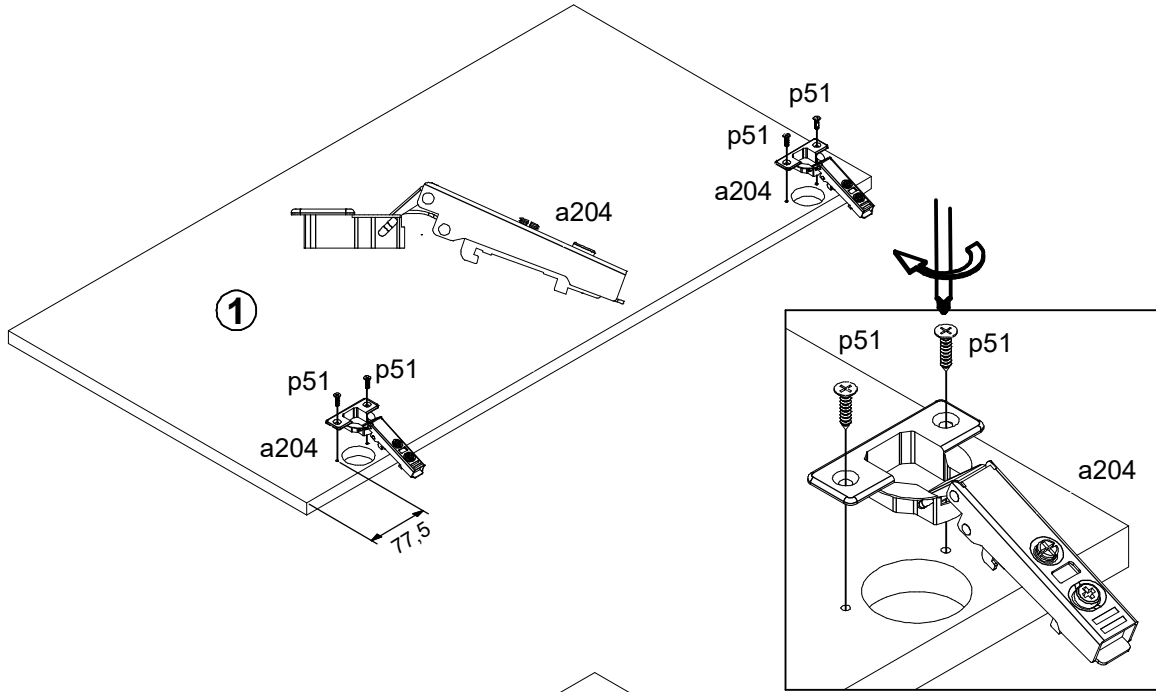


24 ▶



25 ▶

- 2x  a84
- 2x  a204
- 2x  a205
- 12x  p51
Ø3.5x15 mm
- 1x  z28\3
20x20x1.5 mm
- 1x  z28\4
Ø3x12mm



26 ▶

