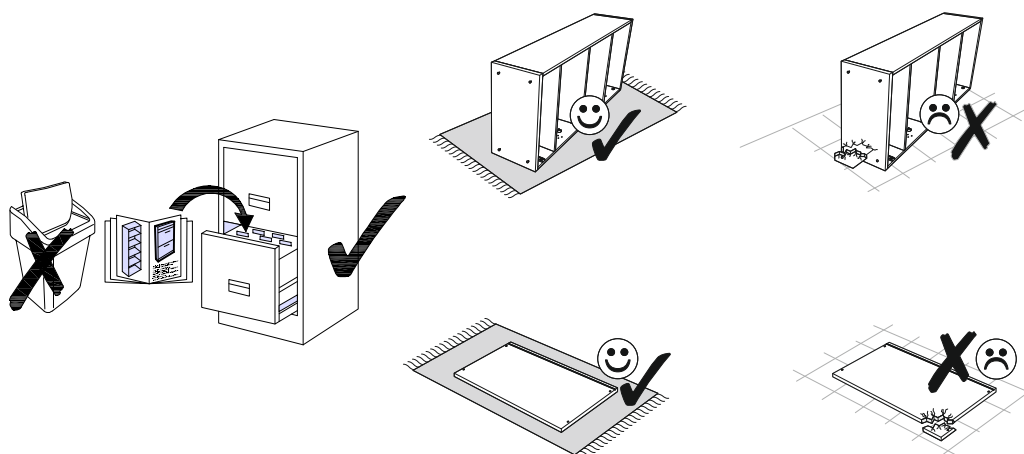
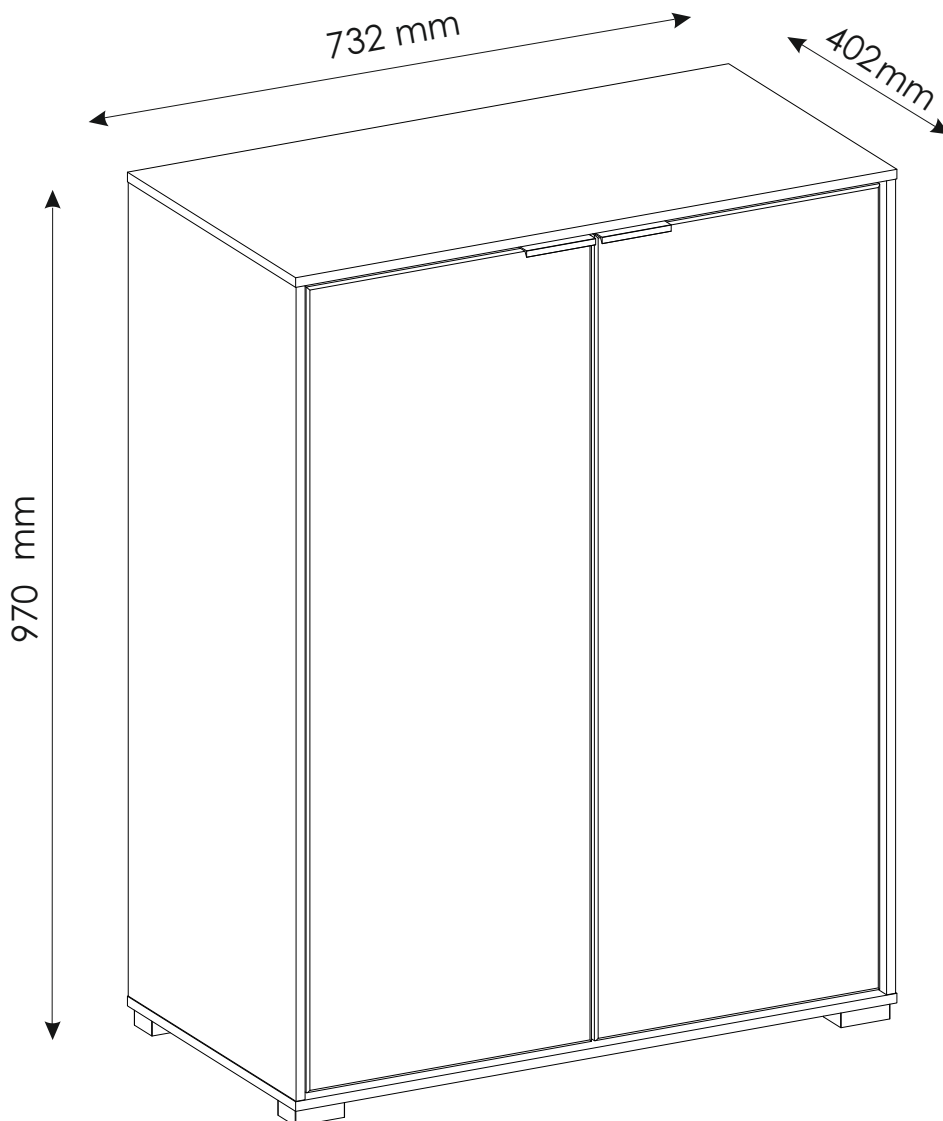
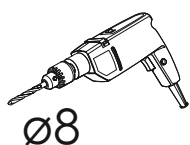
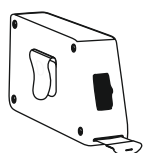
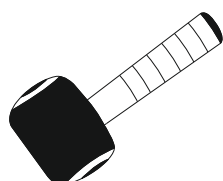
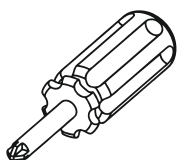
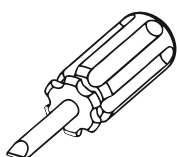
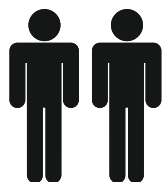


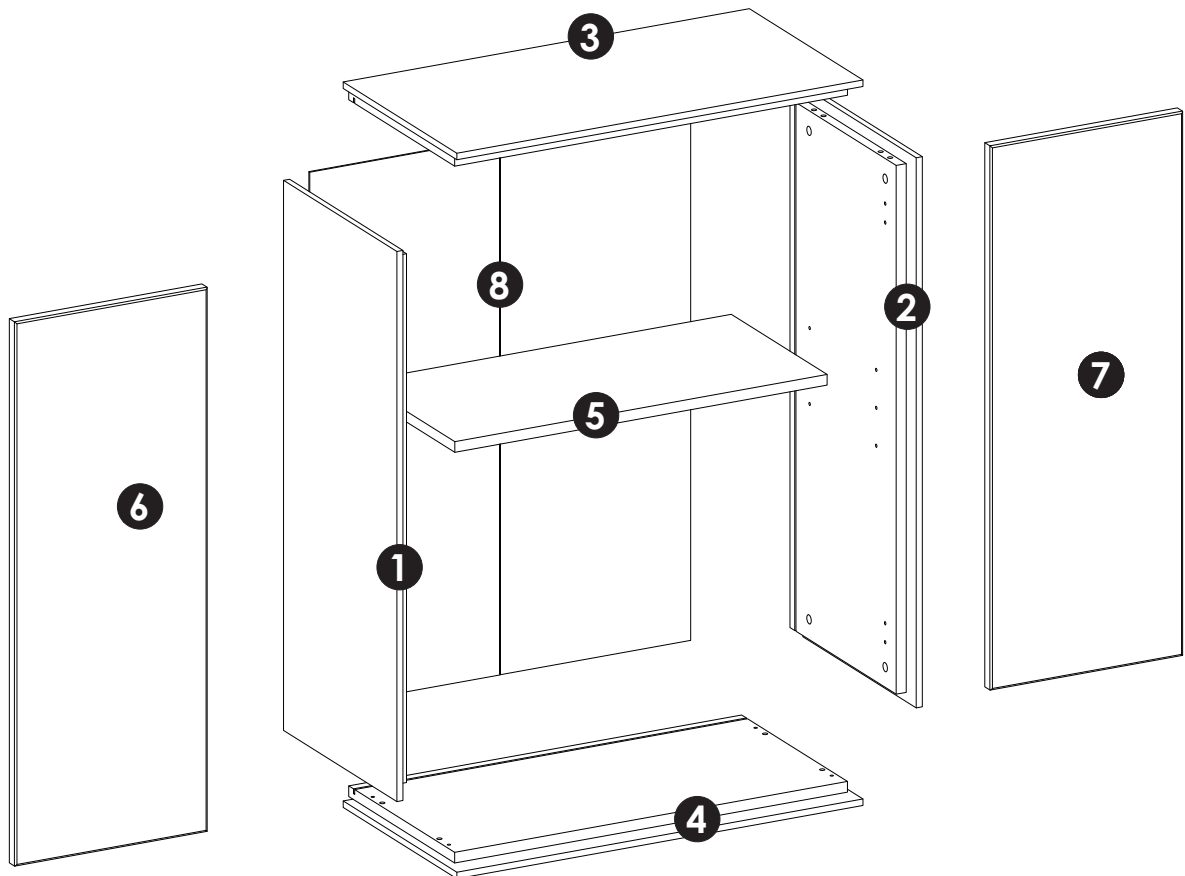
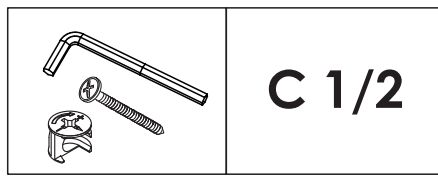


Modell: **DALLAS**

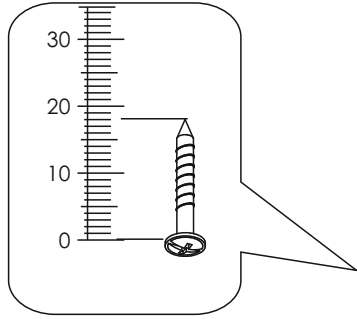
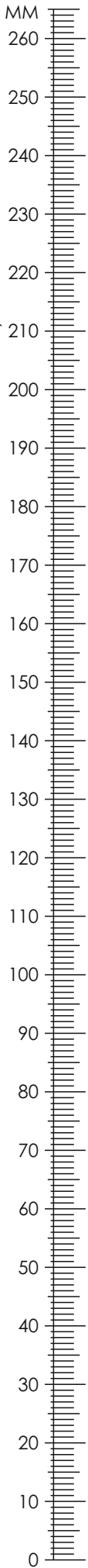
Art. Nr. 14160029/02



|          |     |     |    |    |     |
|----------|-----|-----|----|----|-----|
| <b>1</b> | 928 | 381 | 29 | x1 | 1/2 |
| <b>2</b> | 928 | 381 | 29 | x1 | 1/2 |
| <b>3</b> | 732 | 382 | 29 | x1 | 1/2 |
| <b>4</b> | 732 | 382 | 29 | x1 | 1/2 |
| <b>5</b> | 671 | 322 | 18 | x1 | 1/2 |
| <b>6</b> | 918 | 347 | 20 | x1 | 2/2 |
| <b>7</b> | 918 | 347 | 20 | x1 | 2/2 |
| <b>8</b> | 906 | 686 | 3  | x1 | 2/2 |

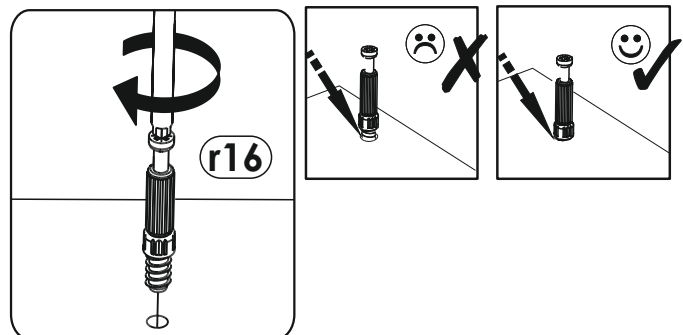
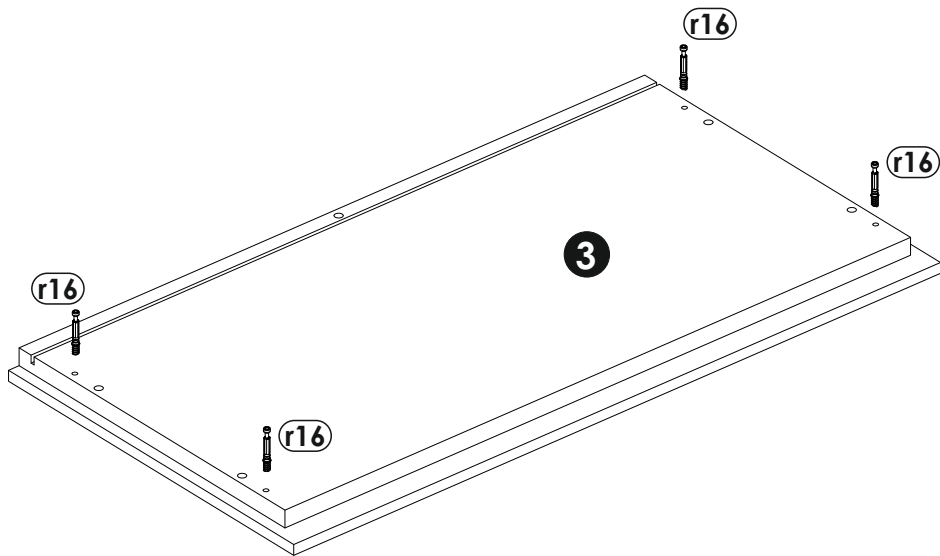
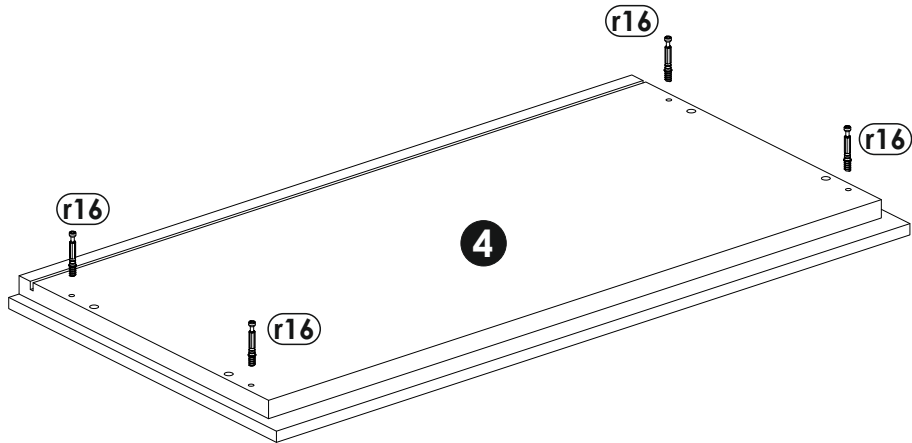
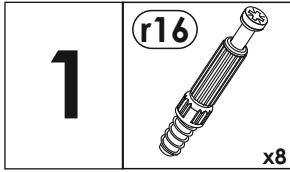
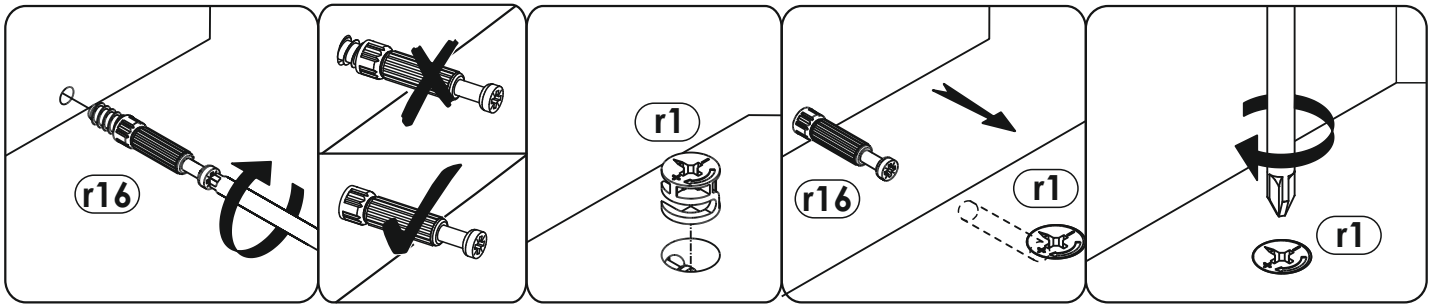


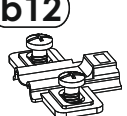
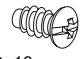

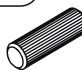
# DALLAS Art. Nr. 14160029/02



|          |   |                             |   |  |   |  |                             |
|----------|---|-----------------------------|---|--|---|--|-----------------------------|
| <b>A</b> | <b>f1</b><br><br>$\phi 8 \times 30$ mm<br><b>x8</b> | <b>r16</b><br><br><b>x8</b> | <b>r1</b><br><br><b>x8</b>  | <b>s2</b><br><br><b>x8</b>                           | <b>d1</b><br><br>$\phi 5 \times 17$ mm<br><b>x4</b> | <b>o1</b><br><br><b>x1</b>                             |                             |
|          | <b>B</b>  | <b>l2</b><br><br><b>x10</b> | <b>k40</b><br><br>$\phi 40 \times 60 \times 20$ mm<br><b>x4</b>               | <b>p70</b><br><br>$\phi 4 \times 20$ mm<br><b>x8</b> | <b>c8</b><br><br><b>x2</b>                          | <b>p1</b><br><br>$\phi 3.5 \times 13$ mm<br><b>x12</b> | <b>o21</b><br><br><b>x4</b> |
|          |   | <b>C</b>                    | <b>t18</b><br><br>$\phi 8 \times 40$ mm<br>$\phi 4 \times 50$ mm<br><b>x1</b> |  |   |  |                             |

|                                     |               |               |           |
|-------------------------------------|---------------|---------------|-----------|
| <b>b12+a12+ e2</b><br><br><b>x4</b> | <br><b>x4</b> | <br><b>x8</b> | <b>x4</b> |
|-------------------------------------|---------------|---------------|-----------|



|          |   |   |  |   |
|----------|---|---|--|---|
| <b>2</b> | <b>b12</b><br><br>x4 | <b>e2</b><br><br>$\phi 6.3 \times 13$ mm<br>x8 | <b>r1</b><br><br>x8 | <b>f1</b><br><br>$\phi 8 \times 30$ mm<br>x8 |
|----------|---|---|--|---|

