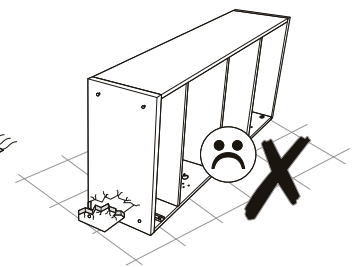
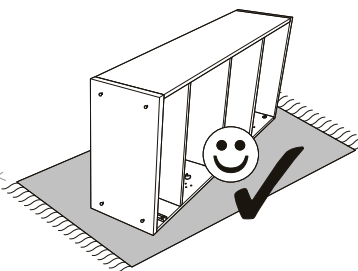
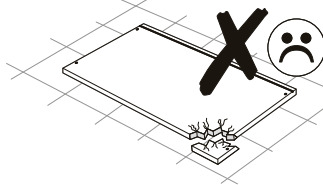
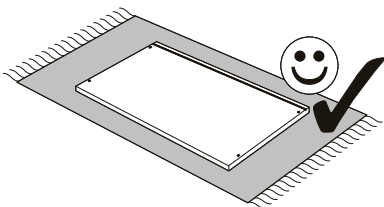
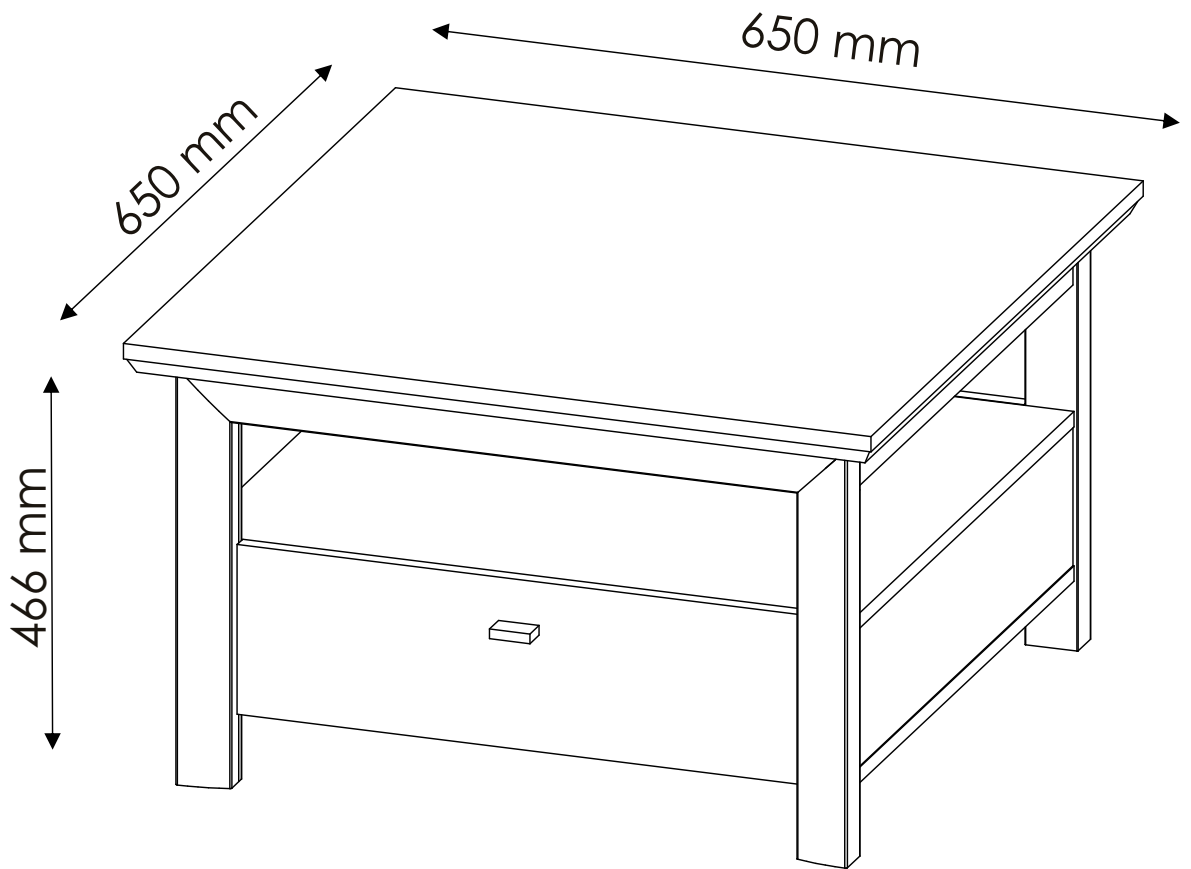
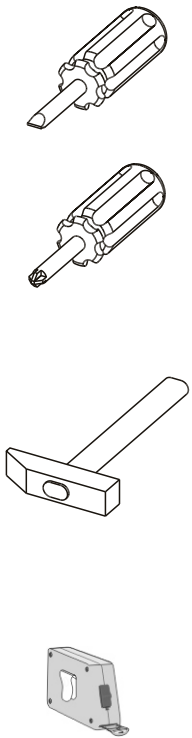
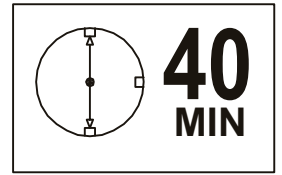
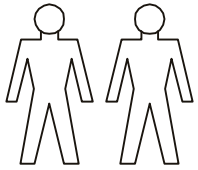

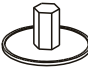




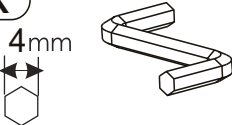


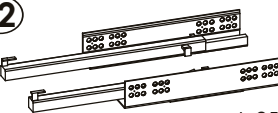


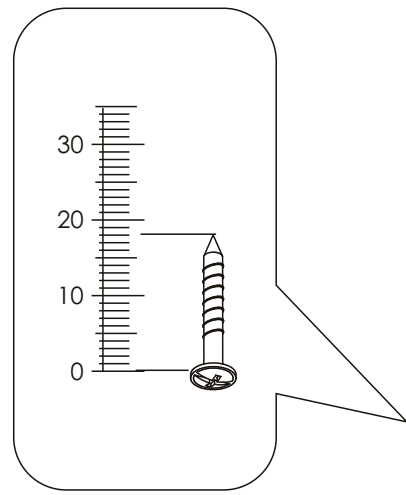
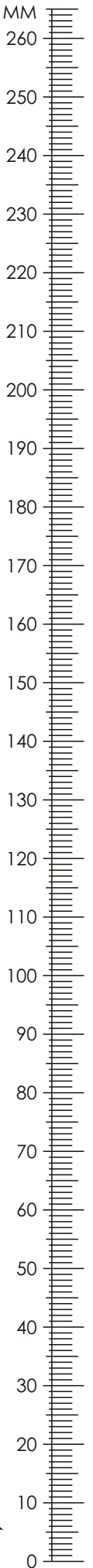



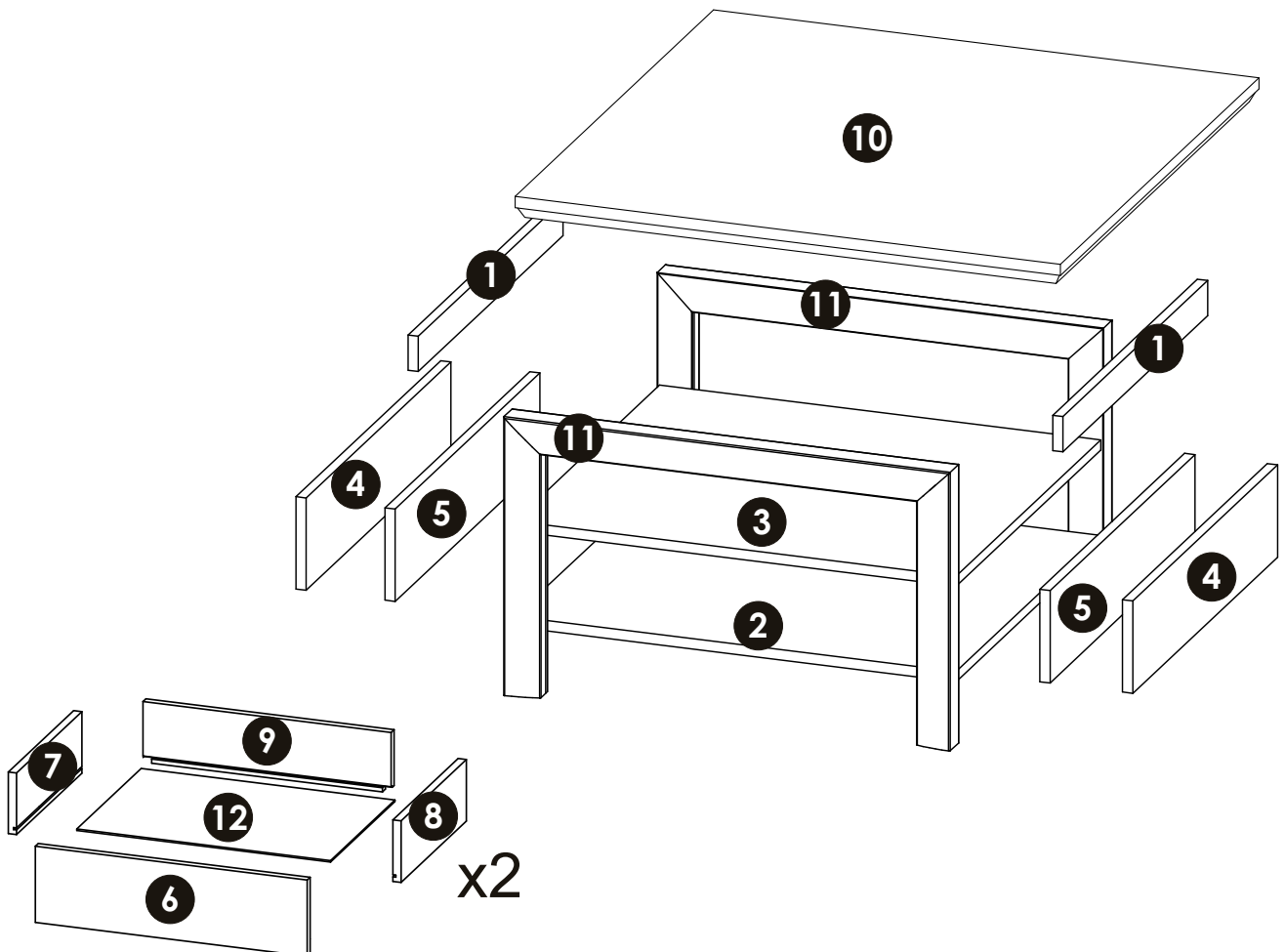
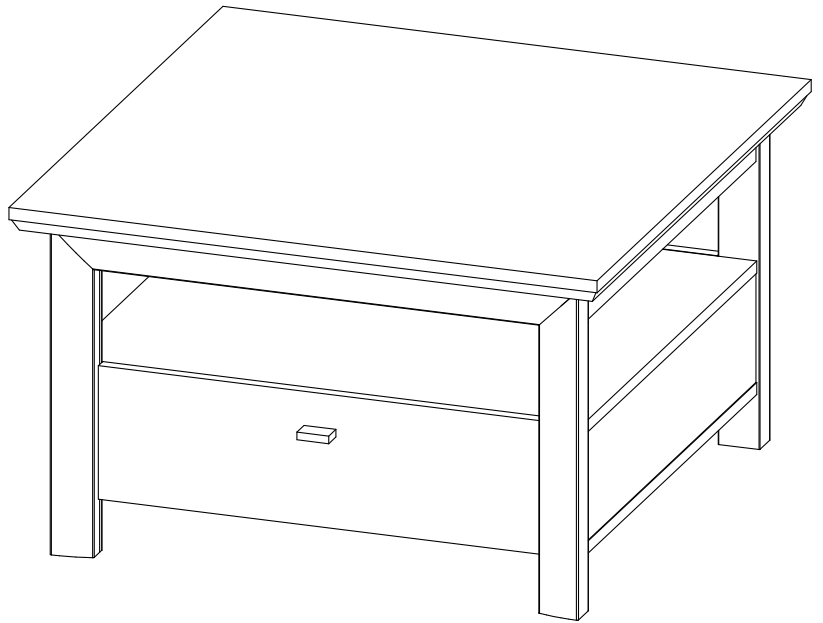
CAMRON/BENTON - BEISTELLTISCH

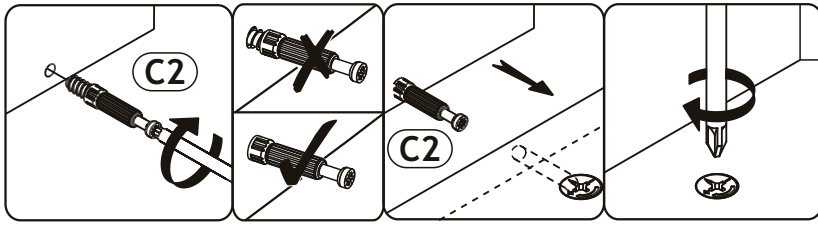


B1 f 7 x 50 mm x12 	C0 x4 	C2 x34 
D0 3 x 15 mm x8 	D31 6,3 x 13 mm x16 	H2 4 x 22 mm x4 
K x1 4mm 	L6 x2 	M1 x8 
N32 x2  L-250mm	U2 x4 	U3 x4 

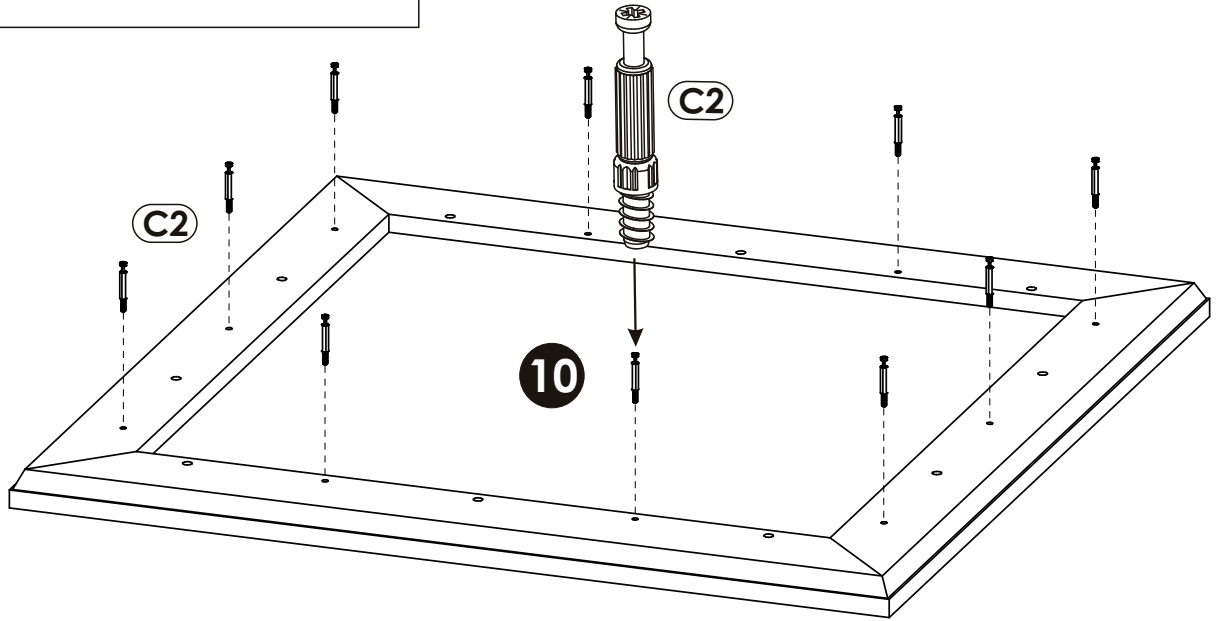
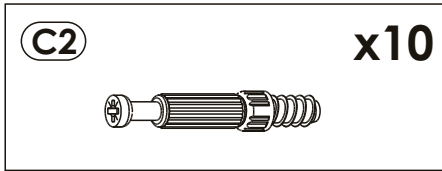


1	520	55	16	x2	1/2
2	588	520	16	x1	1/2
3	588	520	16	x1	1/2
4	520	144	16	x2	1/2
5	520	144	16	x2	1/2
6	482	176	16	x2	1/2
7	250	120	16	x2	1/2
8	250	120	16	x2	1/2
9	446	118	16	x2	1/2
10	650	650	32	x1	2/2
11	596	434	38	x2	2/2
12	456	244	2,8	x2	1/2
					1/2

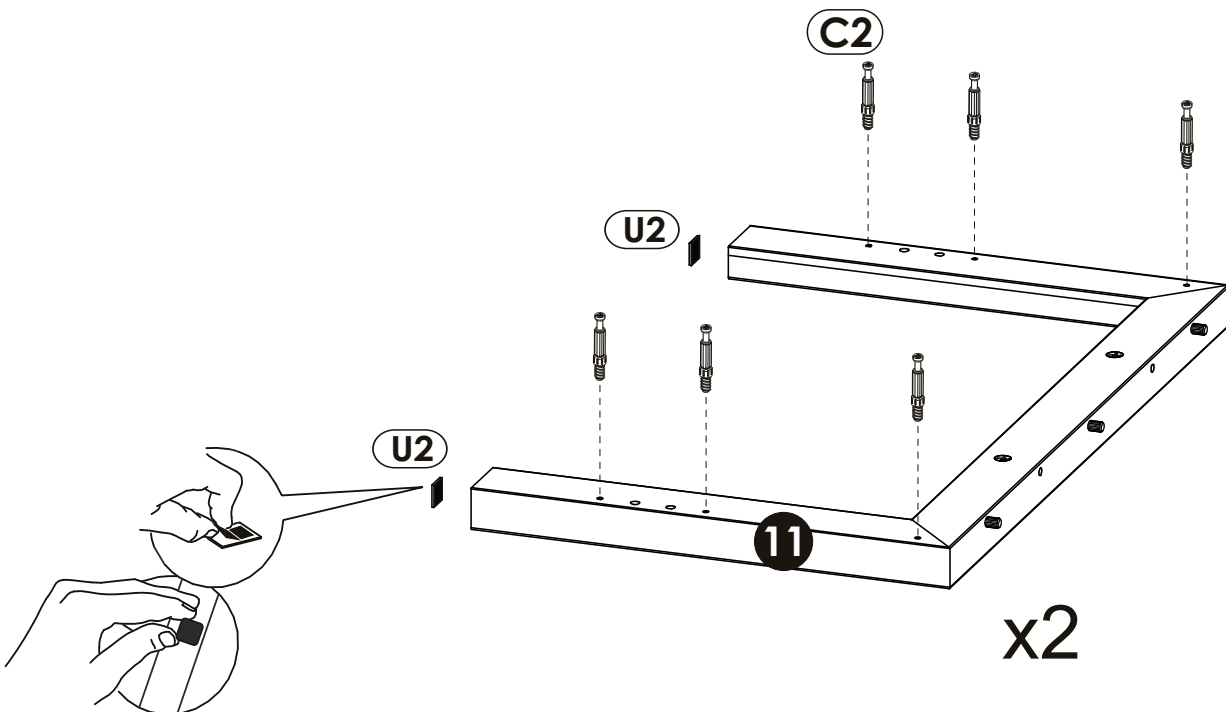
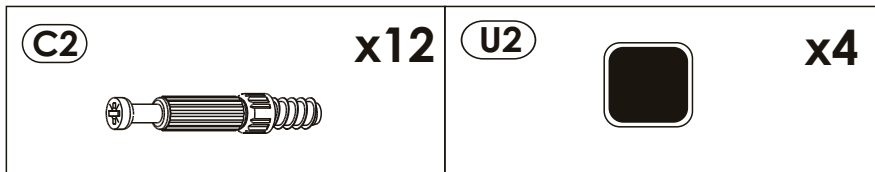





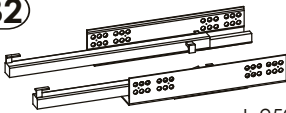
1 ▶

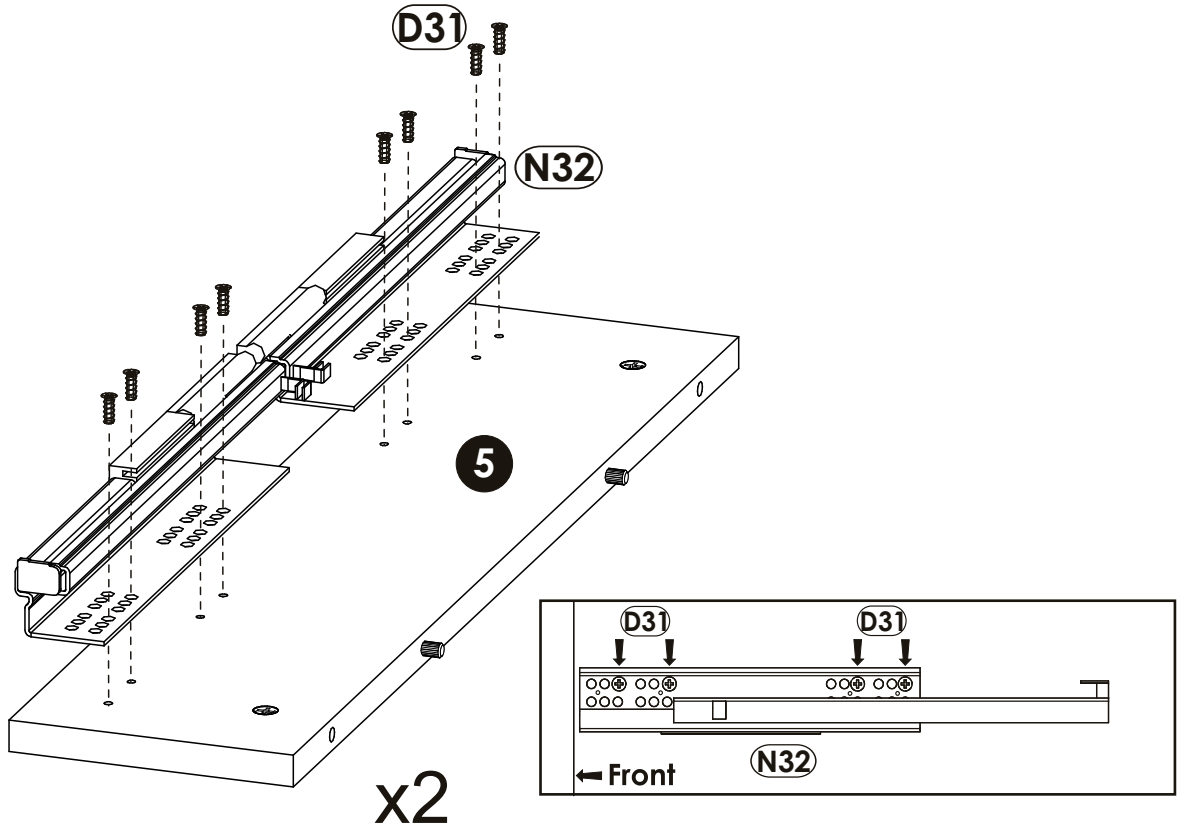


2 ▶




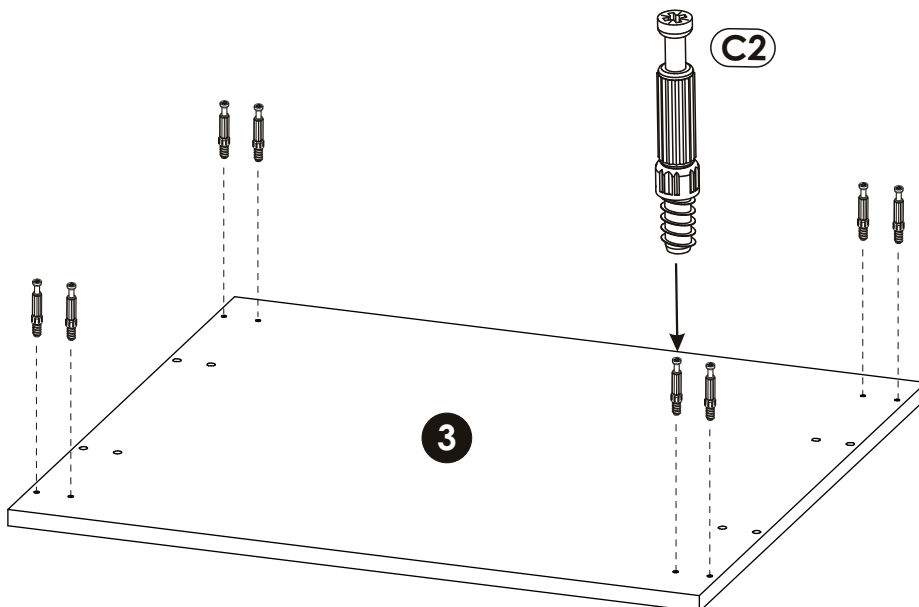
3 ▶

D31 6,3 x 13 mm  x16	N32  L-250mm x2
--	---

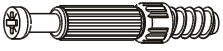




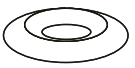
4 ▶

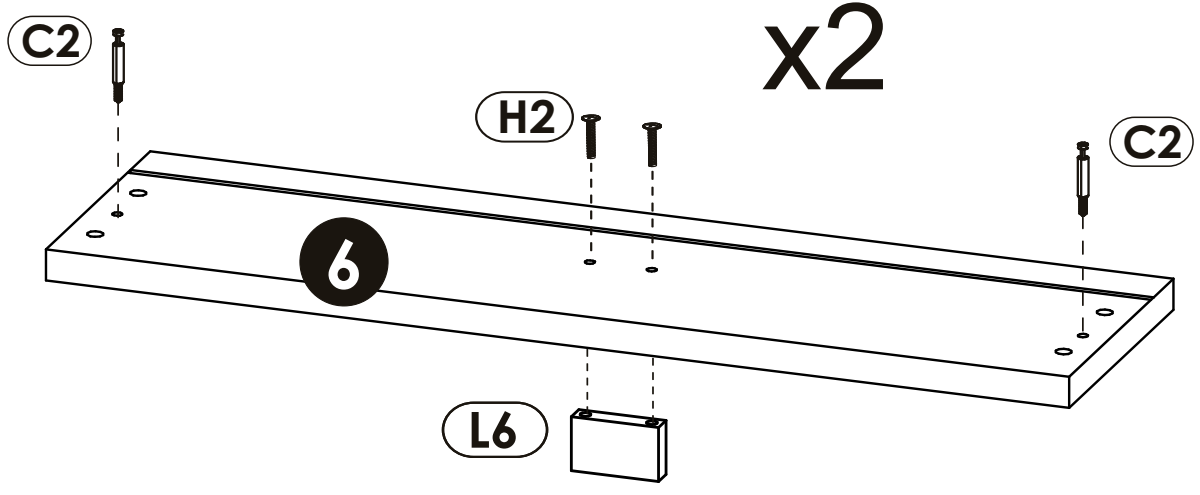
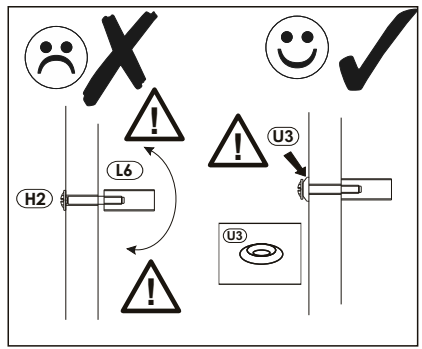
C2  x8



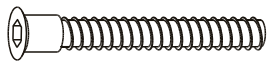
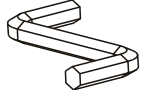
5 ▶

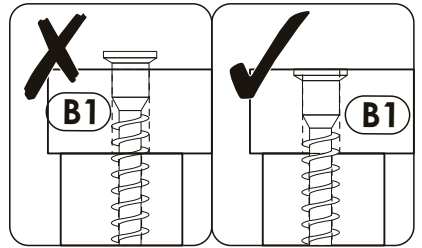
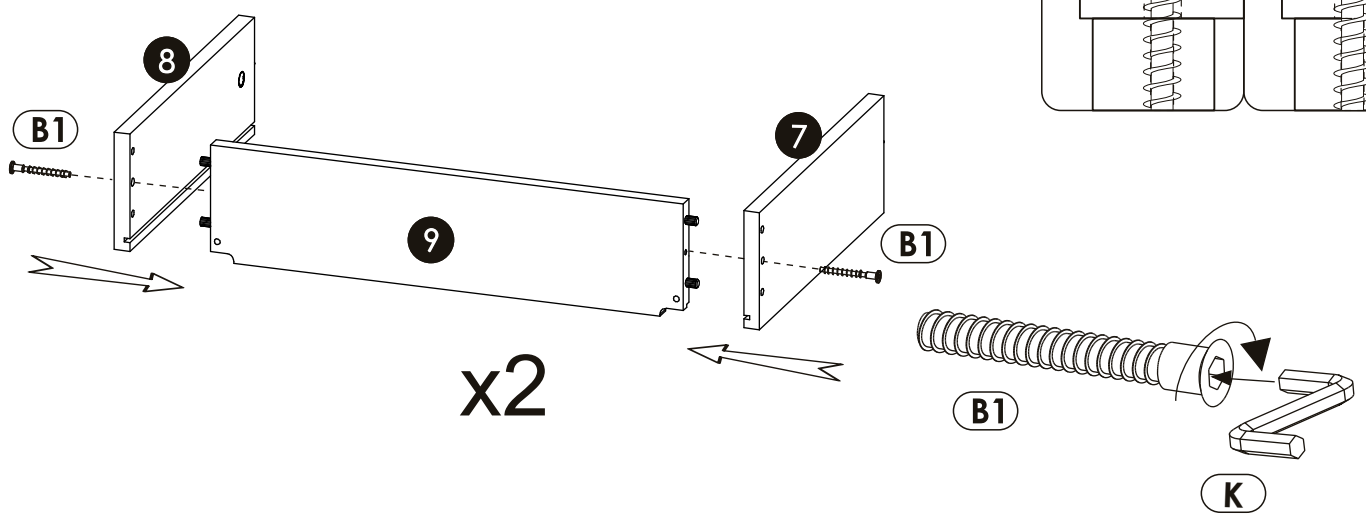
C2  x4	H2 4 x 22 mm  x4	L6  x2
---	--	---

U3  x4

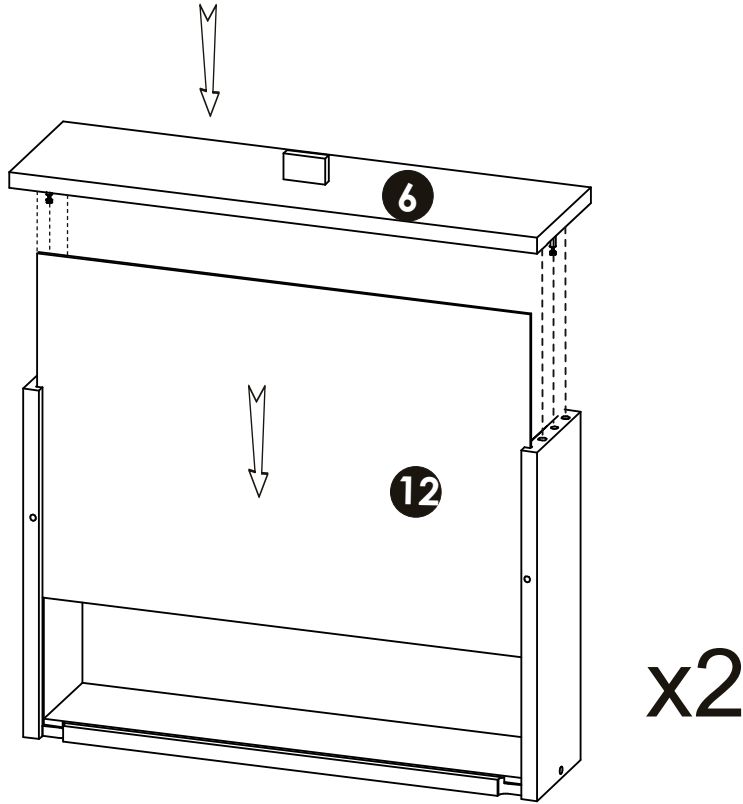


6 ▶

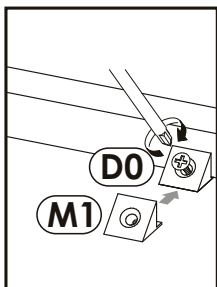
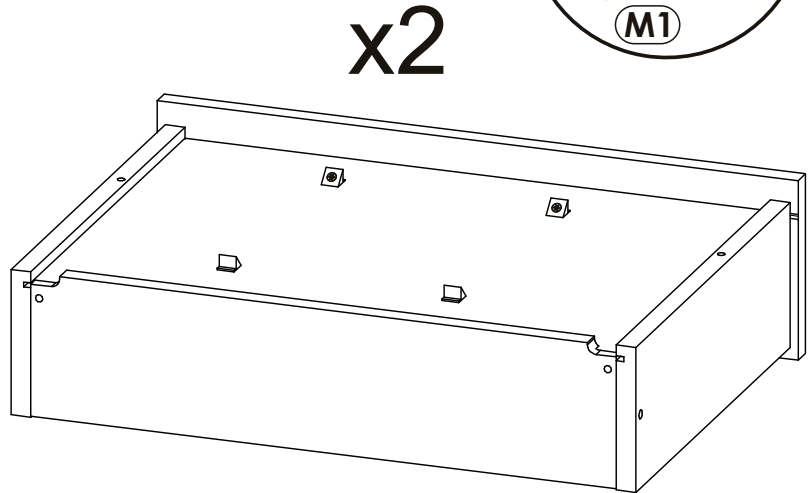
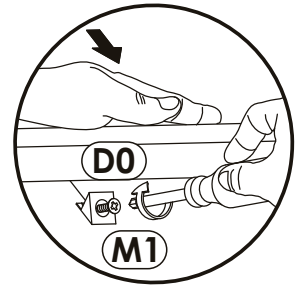
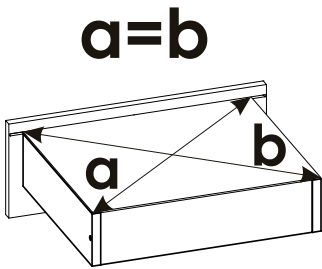
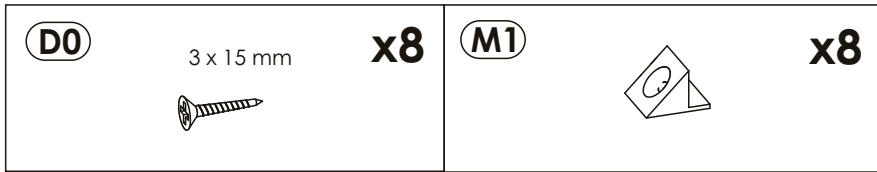
B1 f 7 x 50 mm  x4	K 4mm  x1
--	---



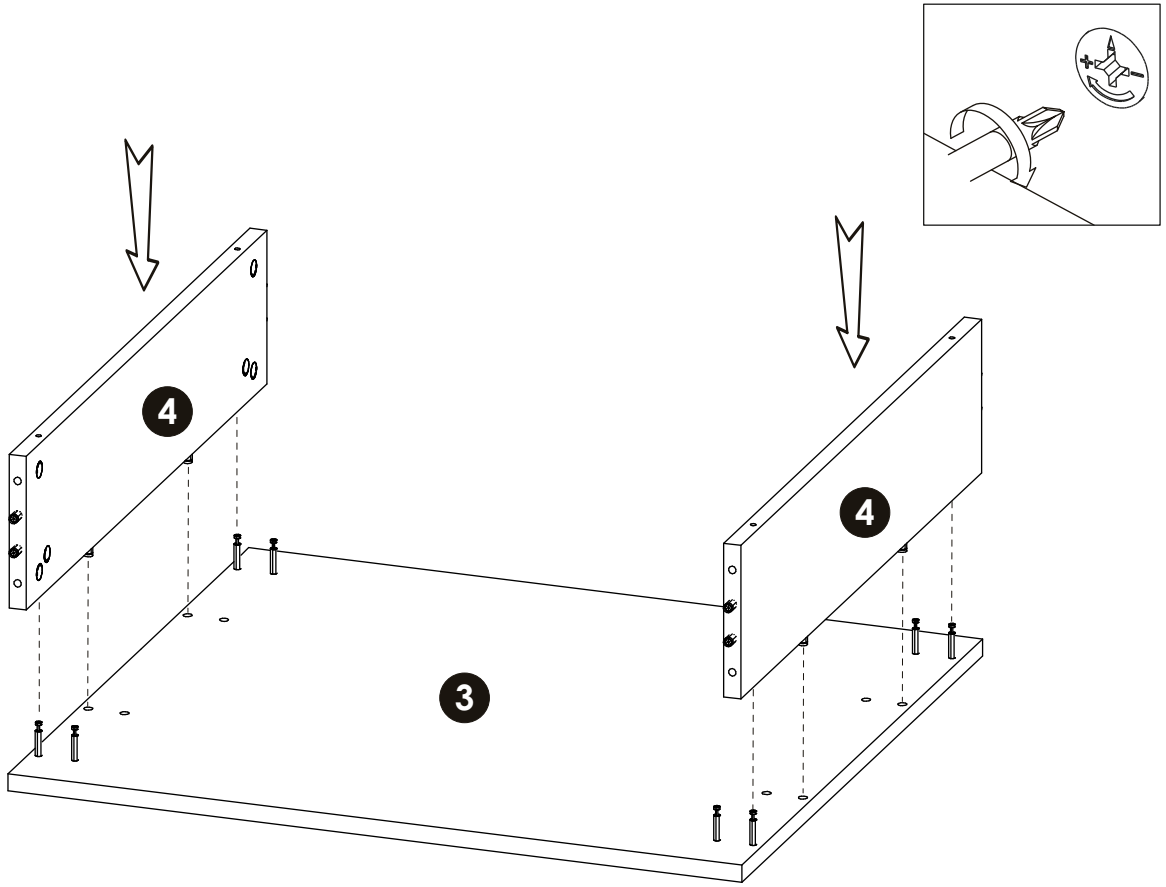
7 ▶



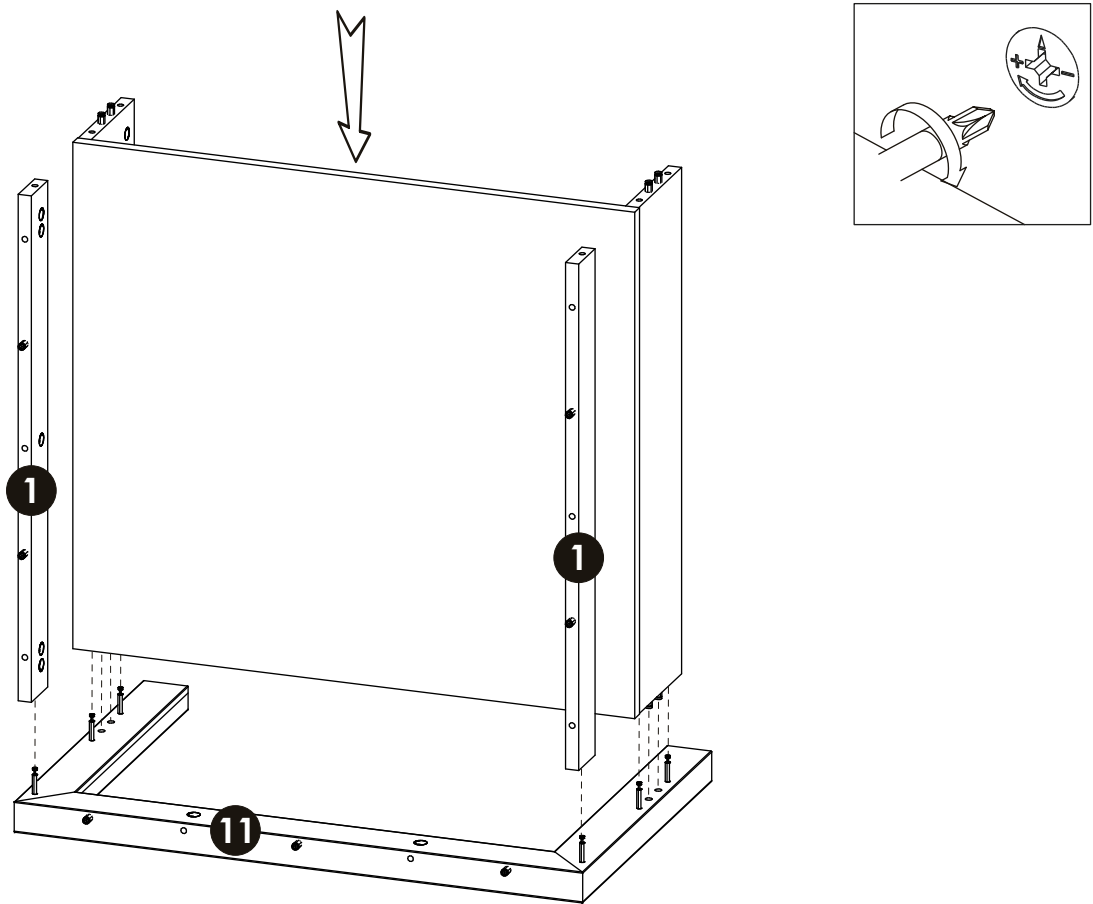
8 ▶



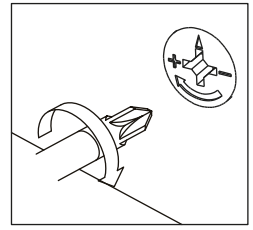
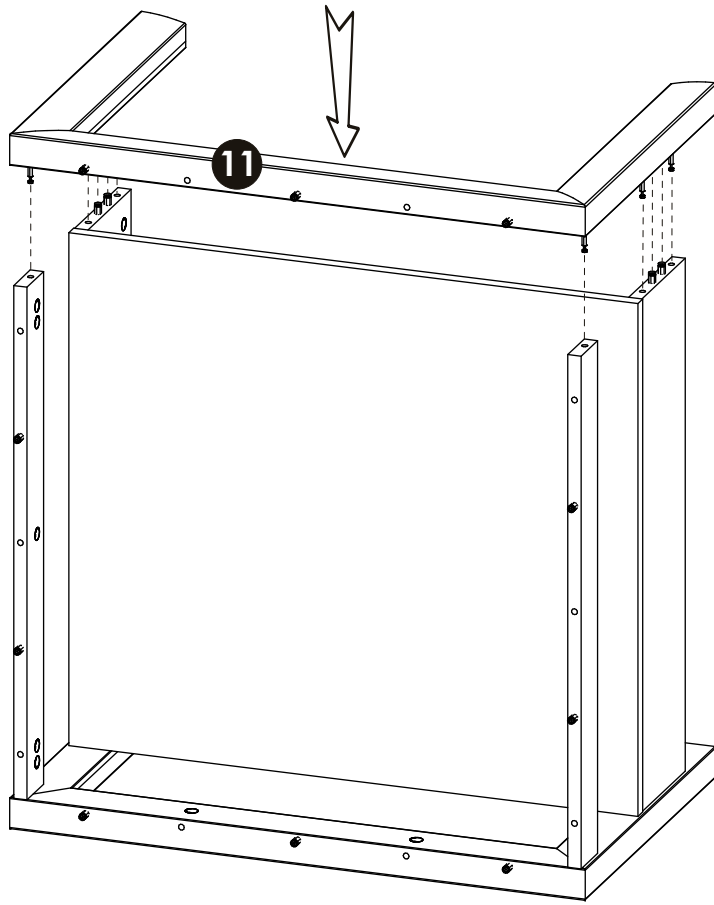
9 ▶



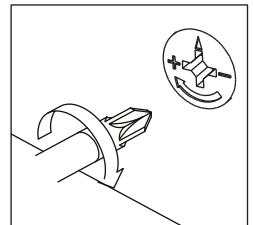
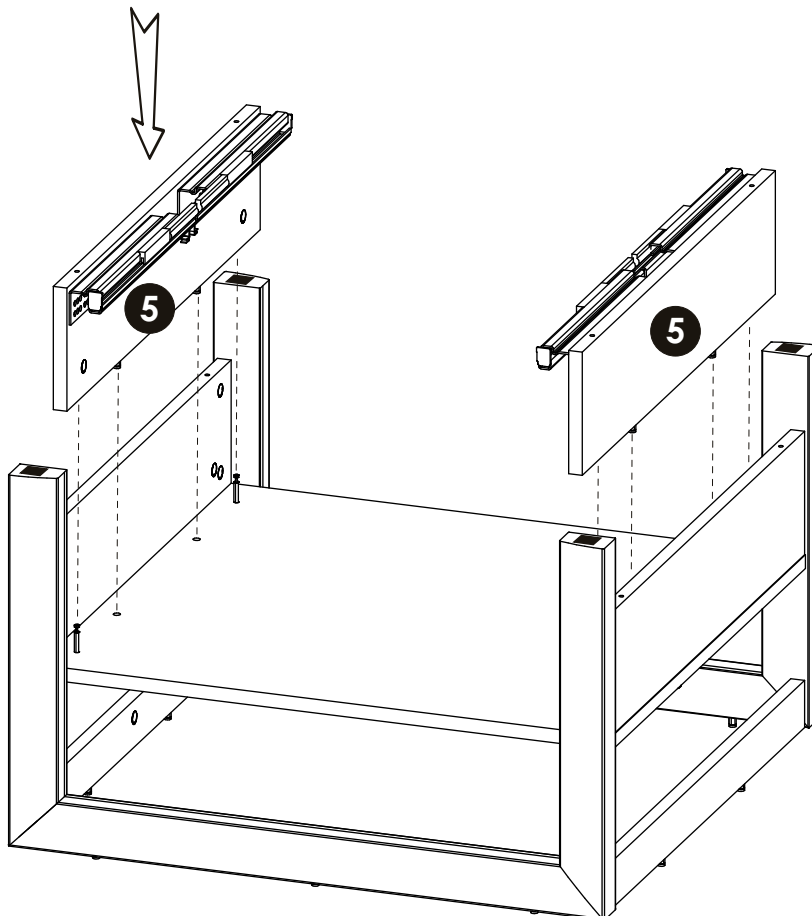
10 ▶



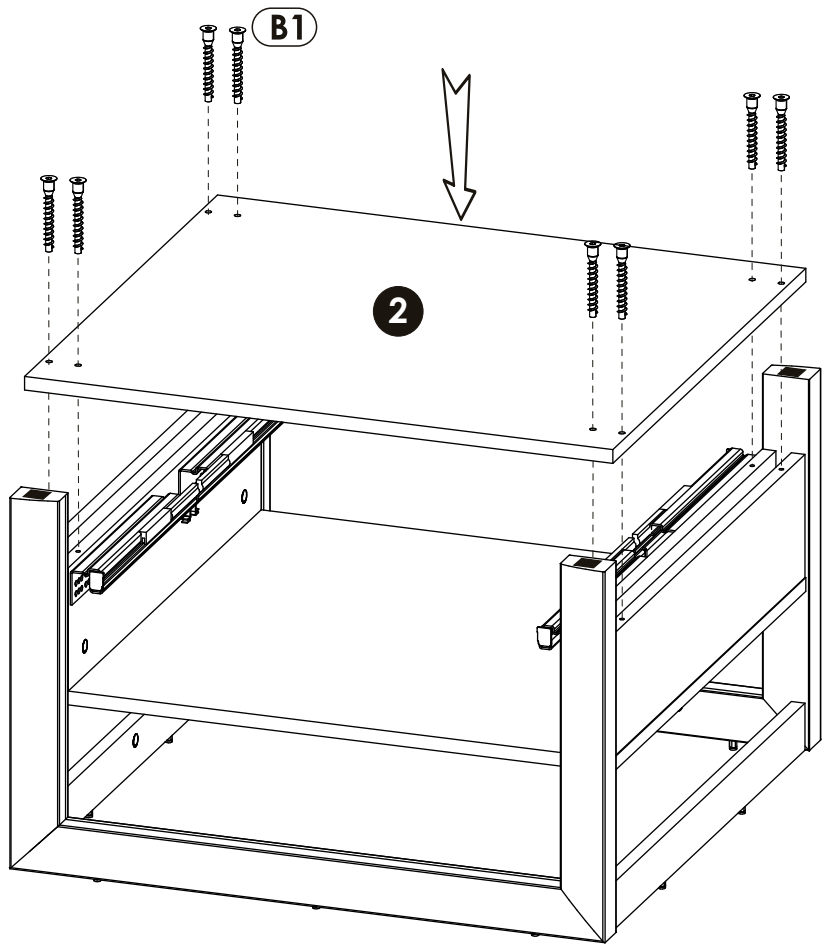
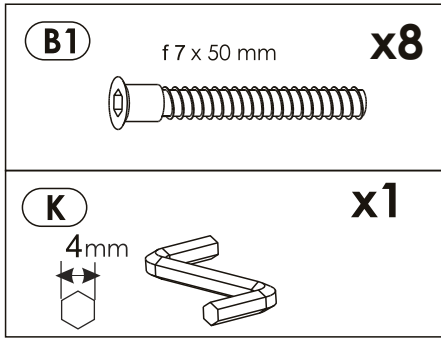
11 ▶



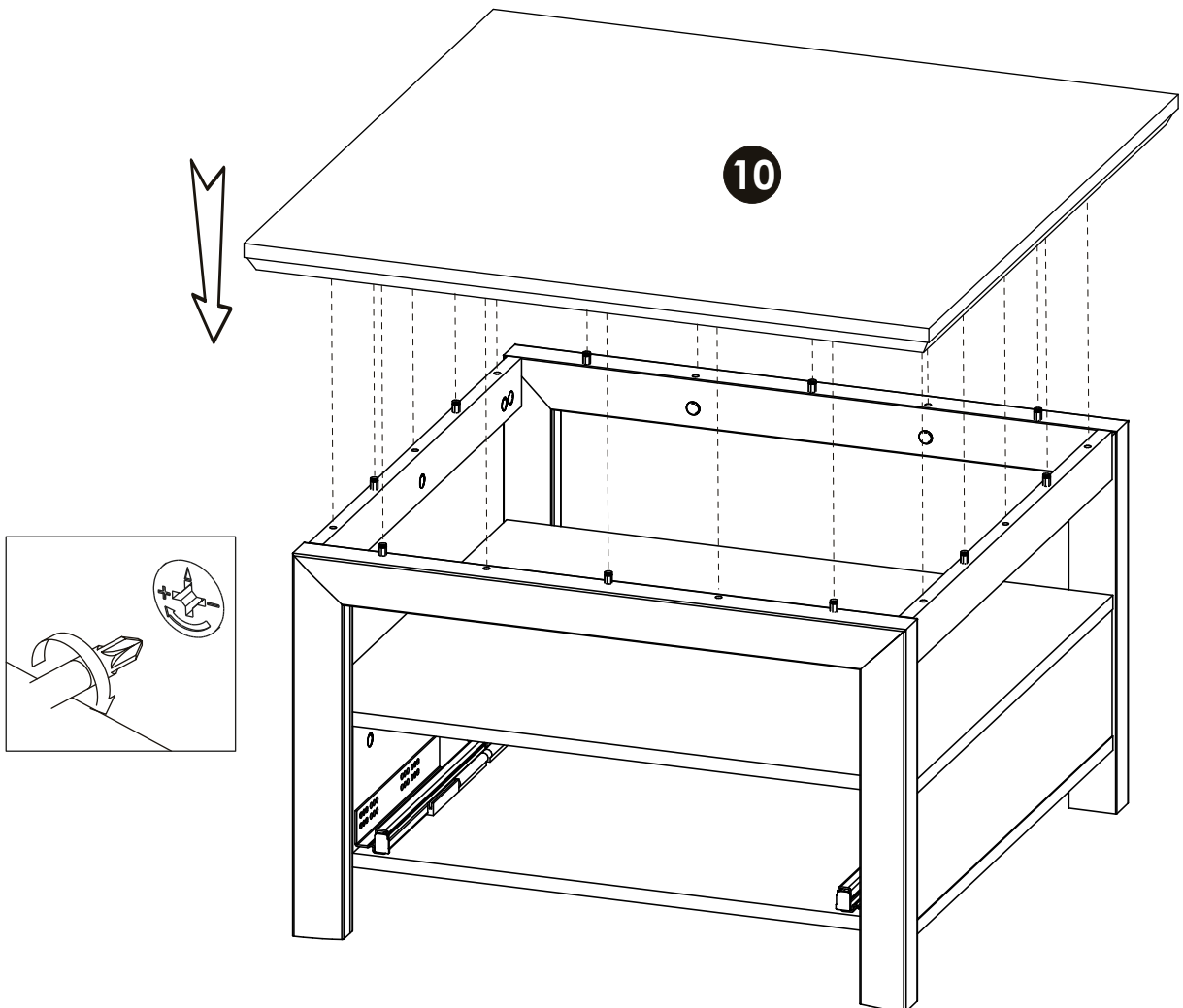
12 ▶



13▶



14▶



15 ▶

