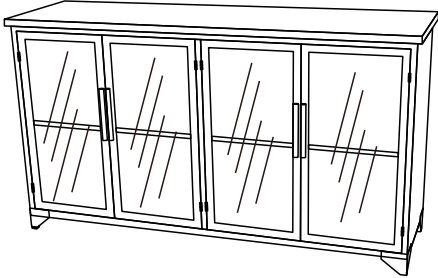


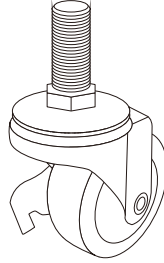
4100062 CABINET LOW

A



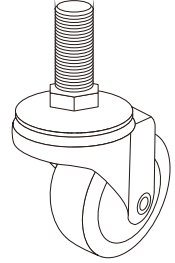
x1PCS

B



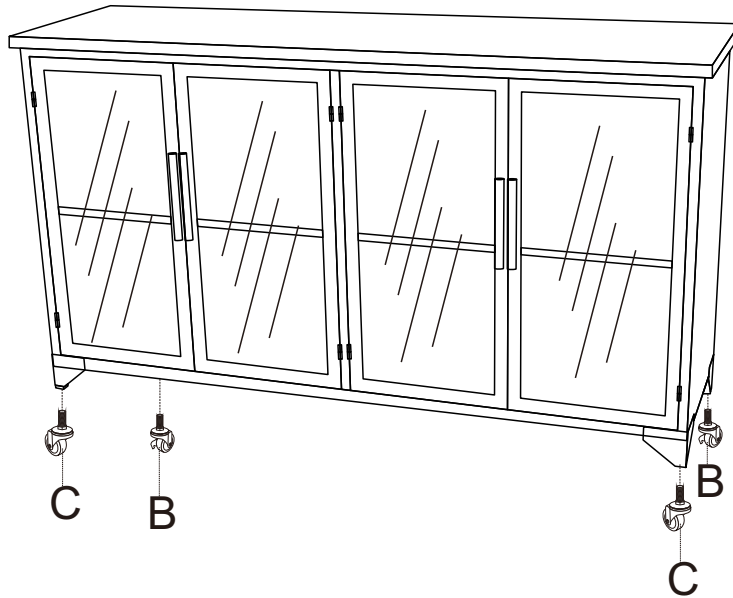
x2PCS

C



x2PCS

1



2

