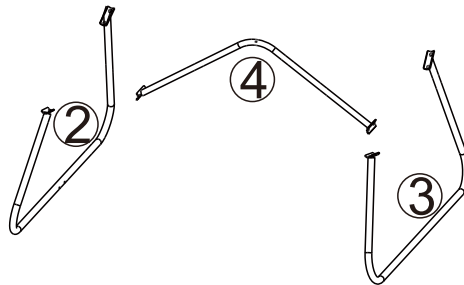
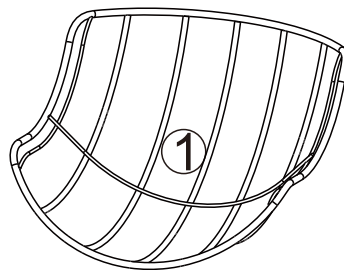
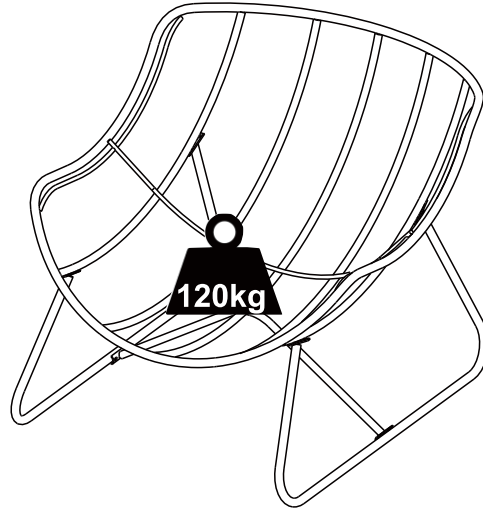


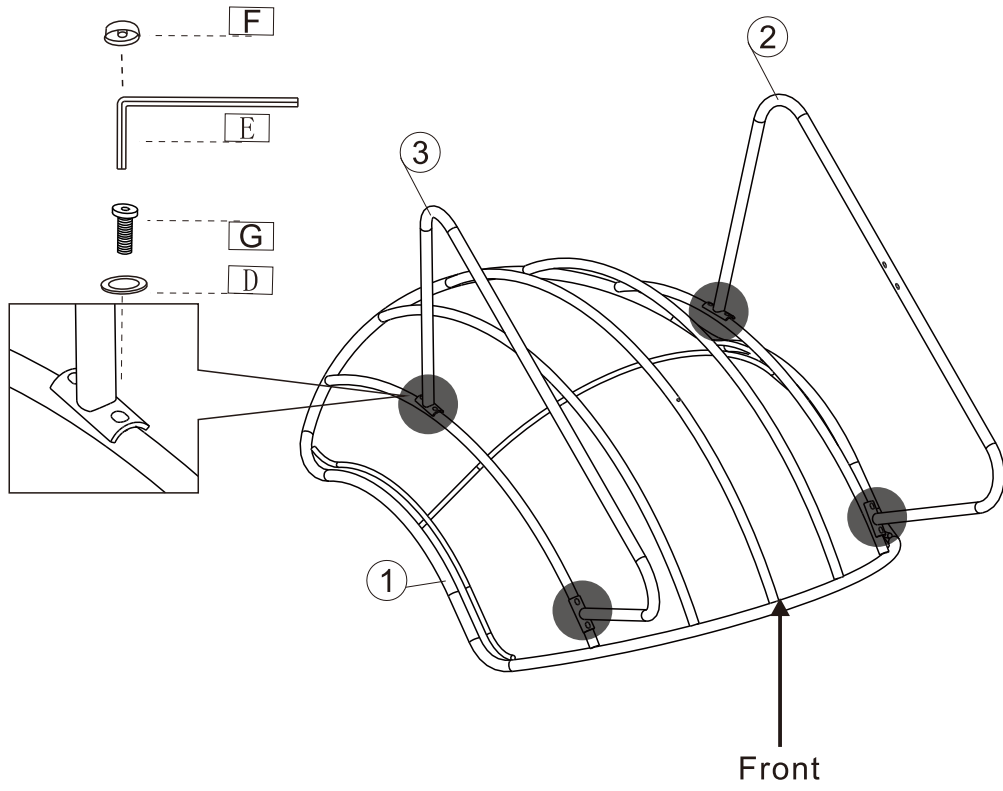
ambia. GARDEN 27550103/05



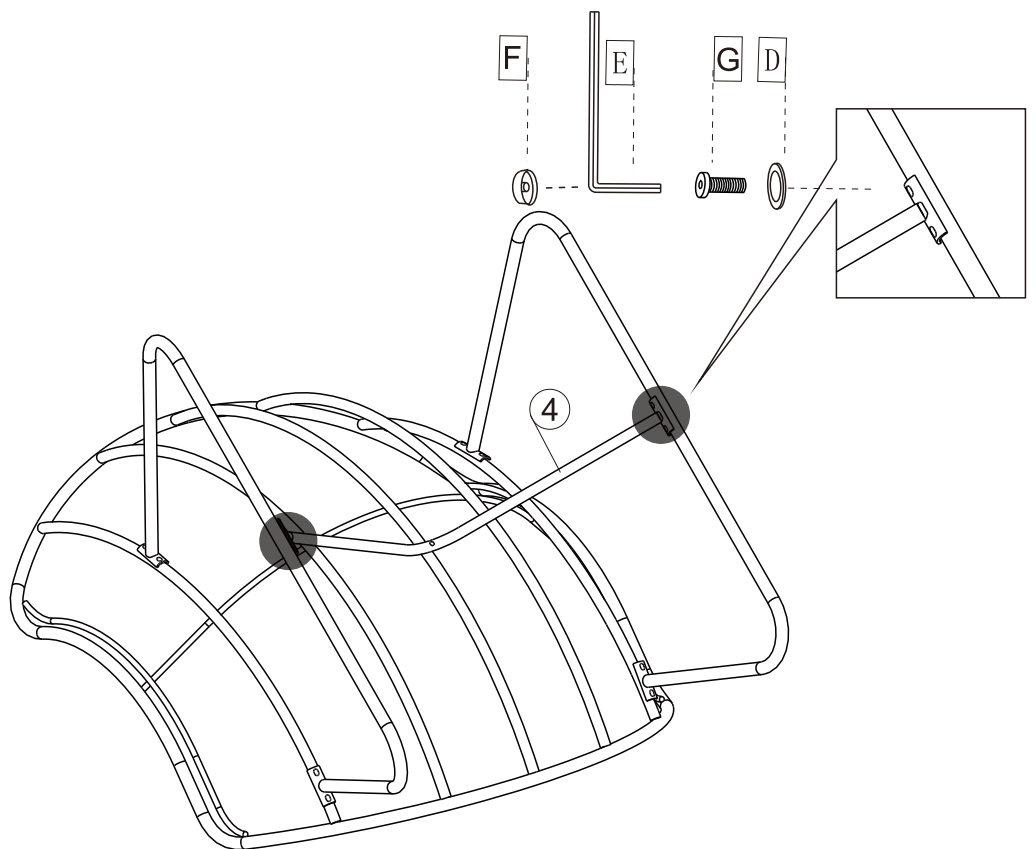
1	x1	2	x1	3	x1	4	x1

F	x13	G	x12	C	x1	D	x13	E	x1
Φ 14x5.1		M6x20mm		M6x35mm		Φ 14xΦ6.5x1.5		4#	

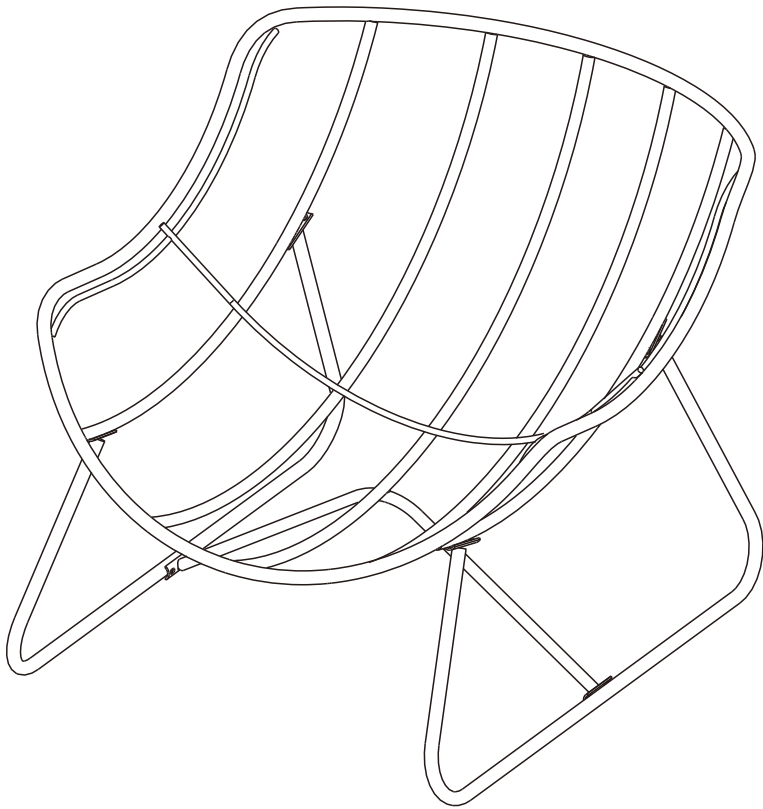
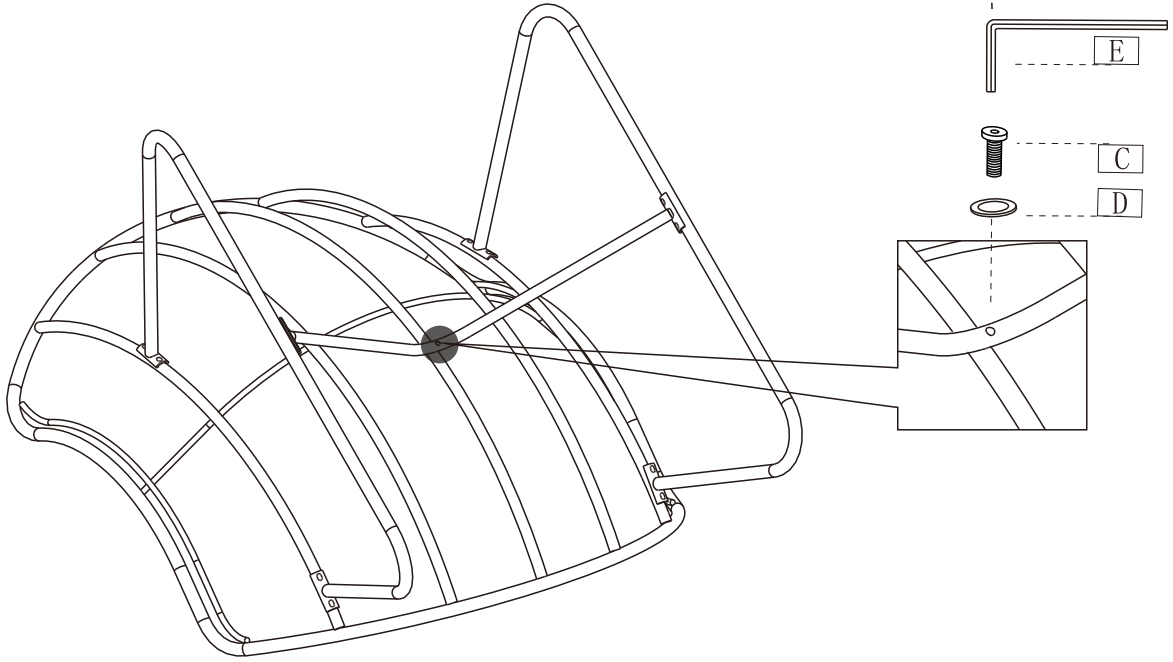
1



2



3



3

