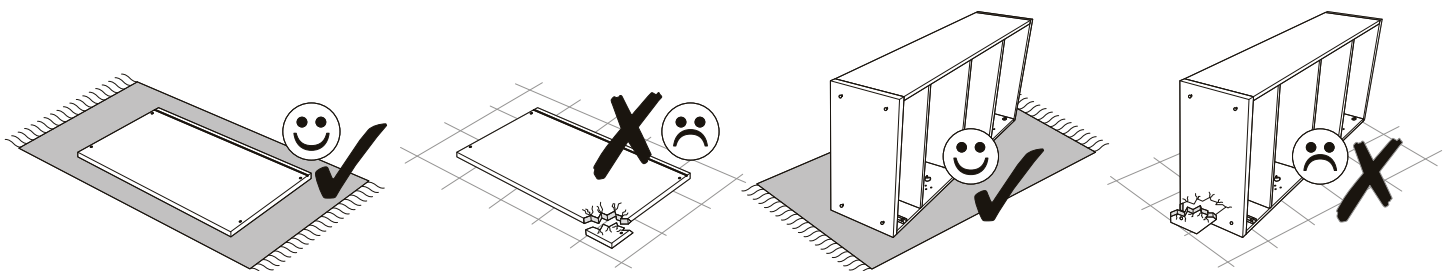
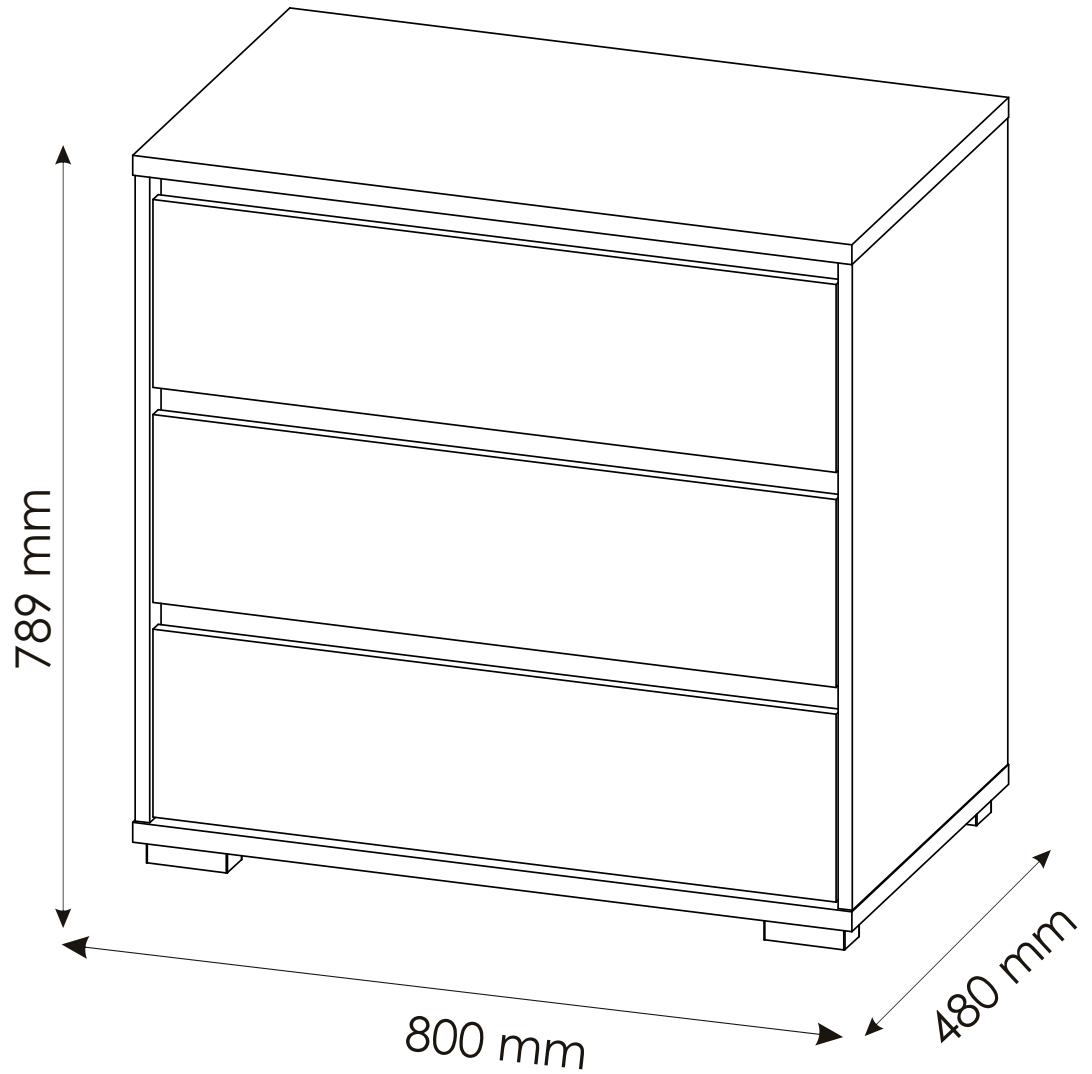
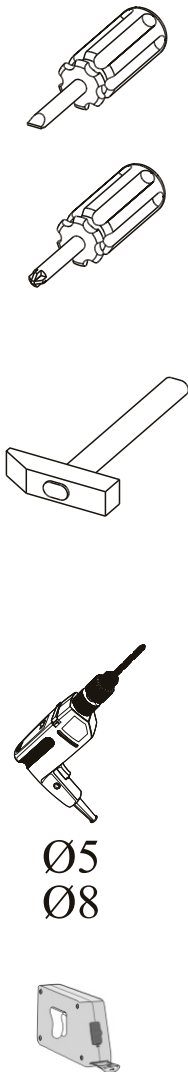
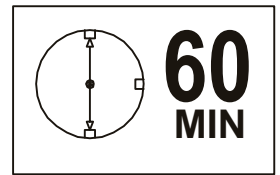
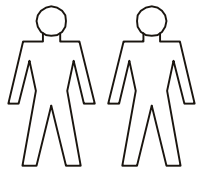

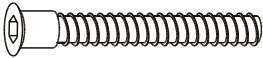
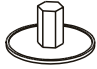
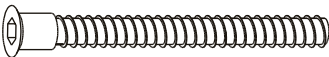









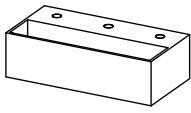

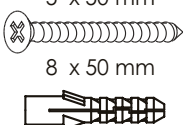
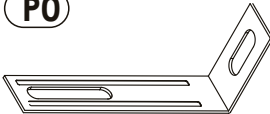
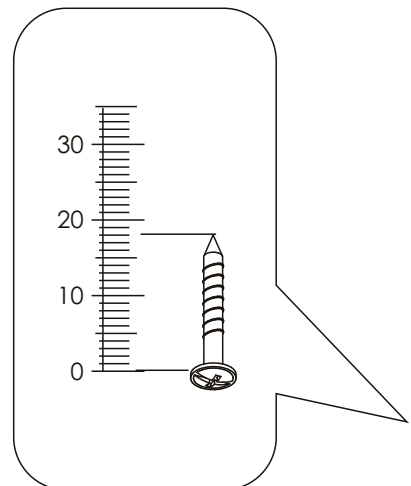
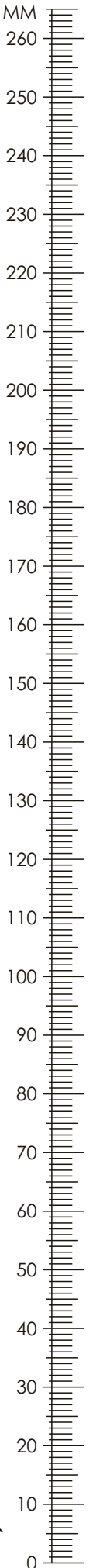


# LINE 3L 800 - KOMMODE




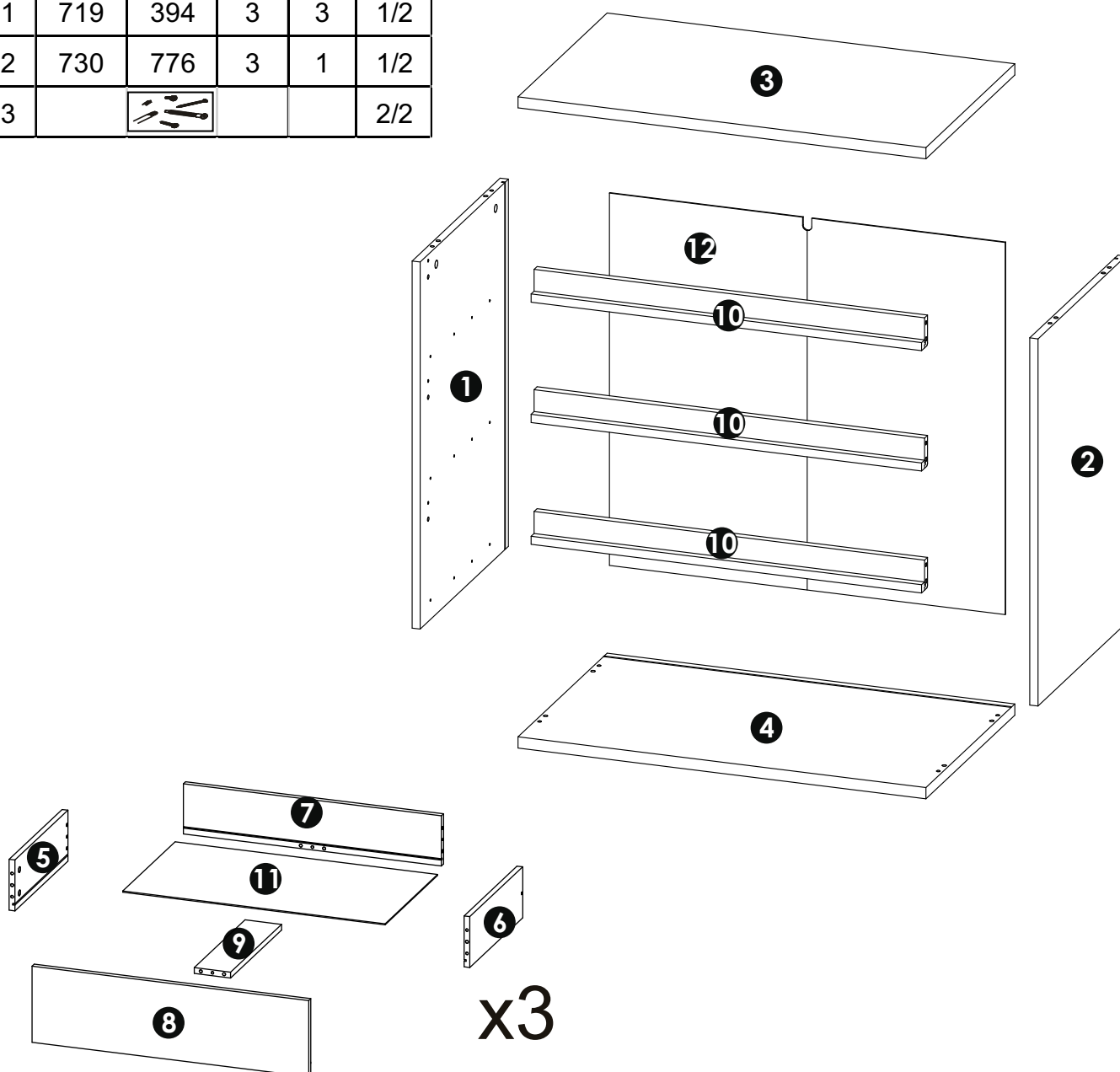
# LINE 3L 800 - KOMMODE

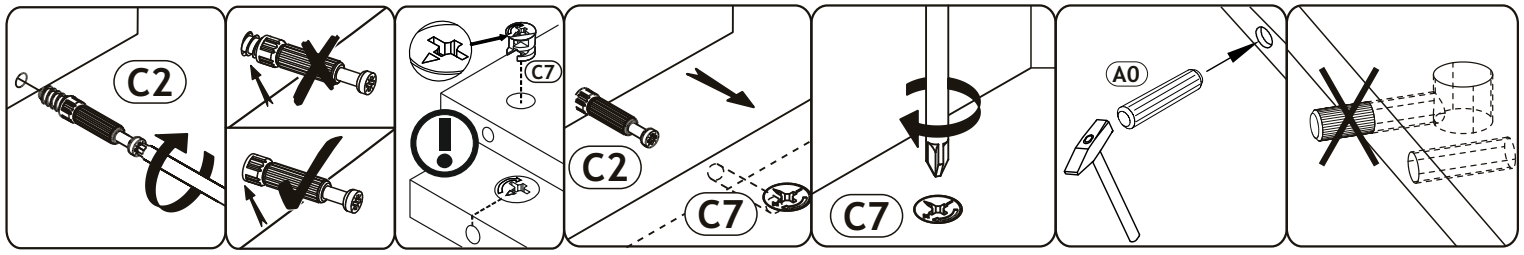
<b>A0</b> 8 x 30mm <b>x44</b> 	<b>B1</b> f 7 x 50 mm <b>x9</b> 	<b>C0</b> <b>x12</b> 
<b>B2</b> f 7 x 70 mm <b>x4</b> 	<b>C2</b> <b>x25</b> 	<b>C7</b> <b>x25</b> 16mm 
<b>D0</b> 3 x 15 mm <b>x28</b> 	<b>D21</b> 5 x 13 mm <b>x25</b> 	<b>D5</b> 3,5 x 16 mm <b>x18</b> 
<b>D14</b> 4 x 35 mm <b>x12</b> 	<b>K</b> <b>x1</b> 4mm 	<b>M1</b> <b>x28</b> 
<b>N2</b> L-400 <b>x3</b> 	<b>T2</b> <b>x4</b> 	<b>U0</b> <b>x6</b> 
<b>E0</b> <b>x1</b> 5 x 50 mm 8 x 50 mm 	<b>P0</b> <b>x1</b> 	



# LINE 3L 800 - KOMMODE

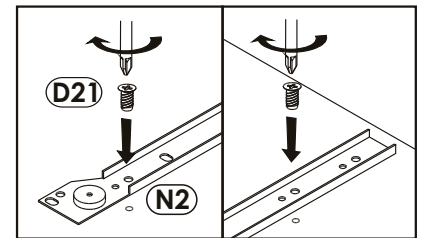
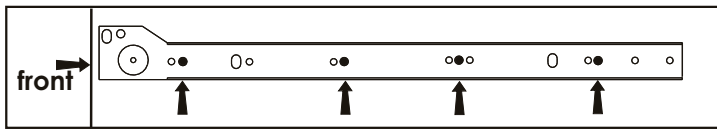
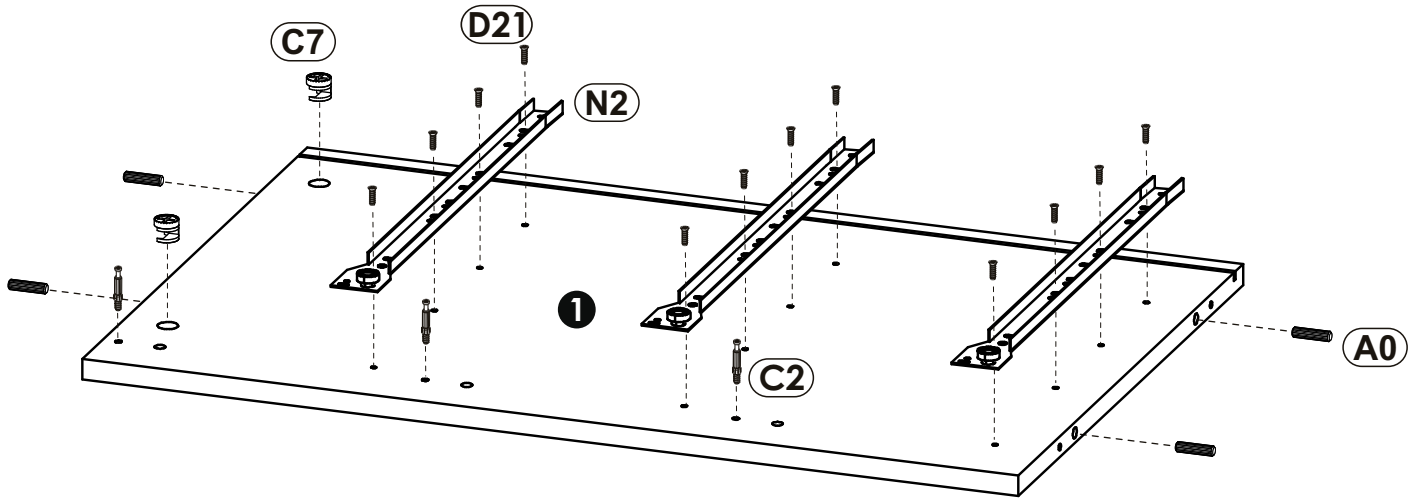
1	720	475	16	1	2/2
2	720	475	16	1	2/2
3	800	480	22	1	1/2
4	800	480	22	1	1/2
5	400	140	16	3	2/2
6	400	140	16	3	2/2
7	709	138	16	3	2/2
8	760	209	16	3	1/2
9	384	100	16	3	2/2
10	766	59	32	3	1/2
11	719	394	3	3	1/2
12	730	776	3	1	1/2
13					2/2





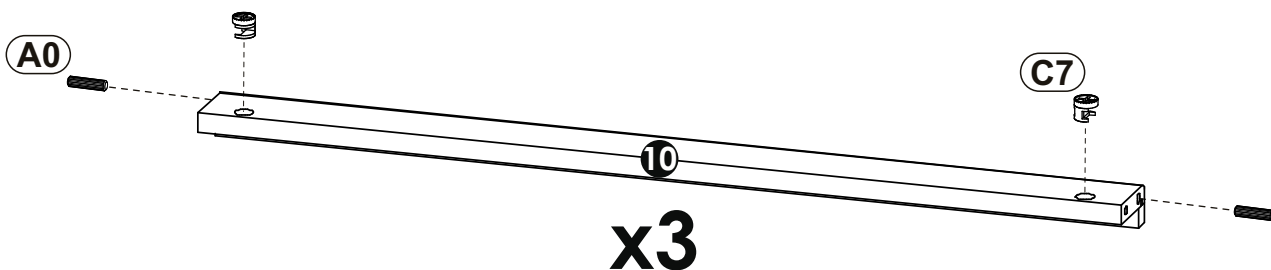
**1**

<b>A0</b>	8 x 30mm	<b>x4</b>	<b>C7</b>	16mm	<b>x2</b>	<b>C2</b>	<b>x3</b>
<b>D21</b>	5 x 13 mm	<b>x12</b>	<b>N2</b>	L-400	<b>x3</b>		



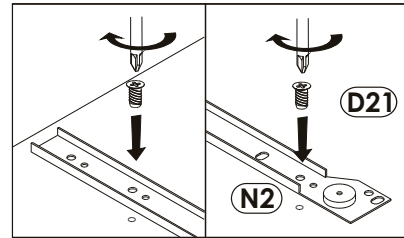
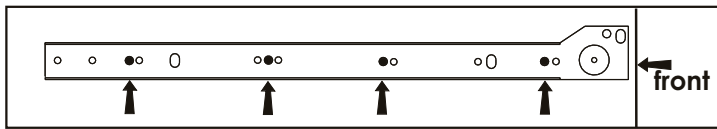
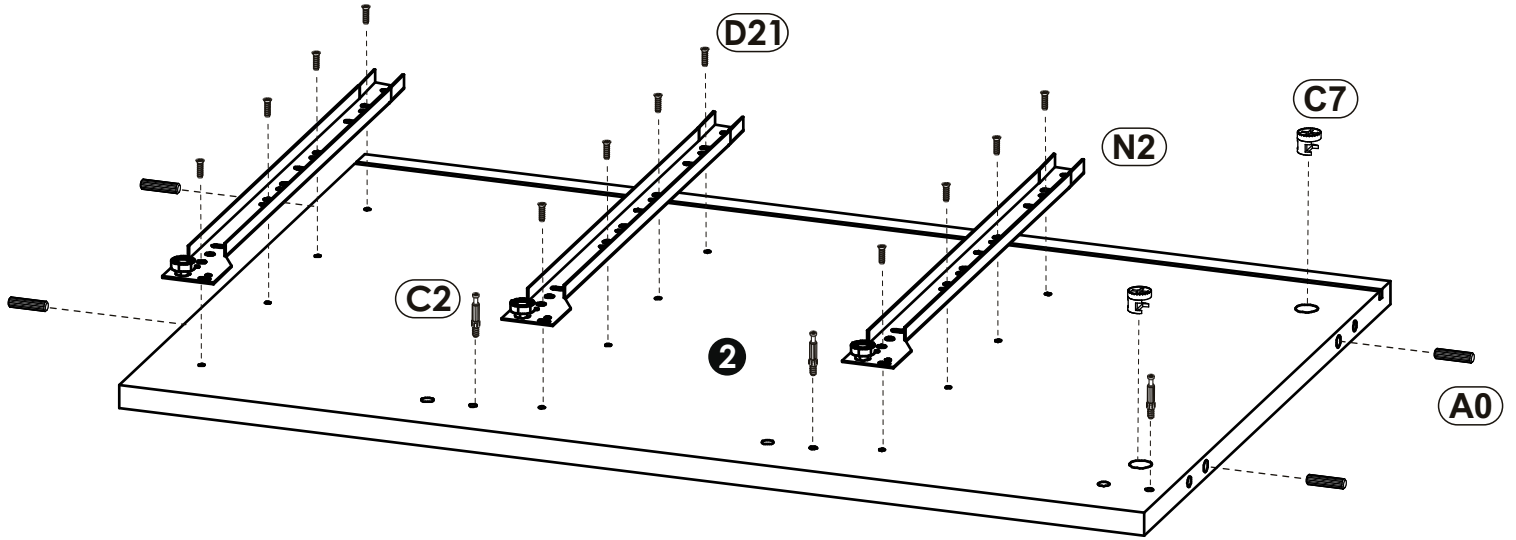
**2**

<b>A0</b>	8 x 30mm	<b>x6</b>	<b>C7</b>	16mm	<b>x6</b>
-----------	----------	-----------	-----------	------	-----------

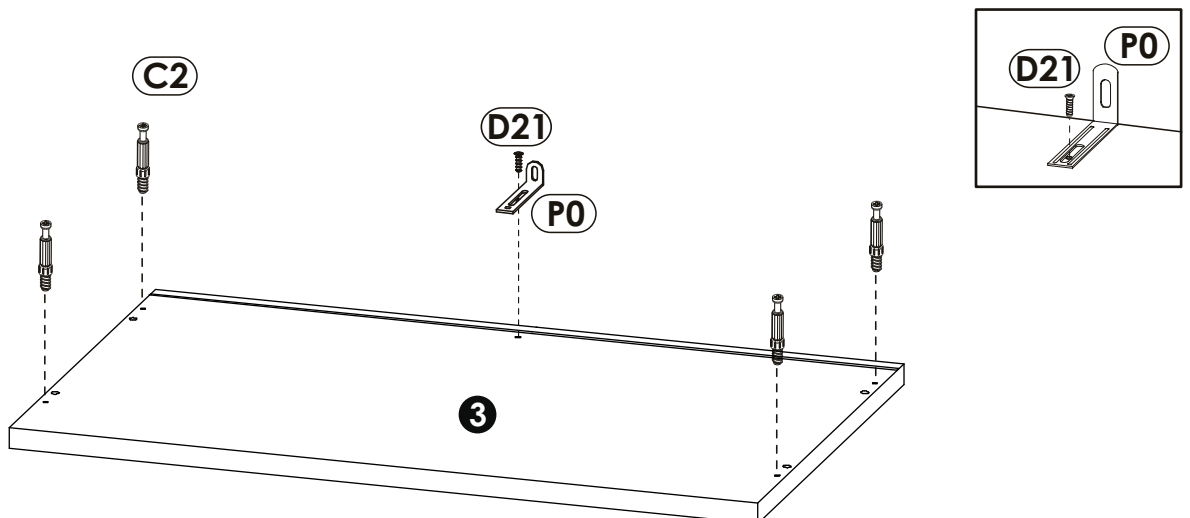


**3** ▶

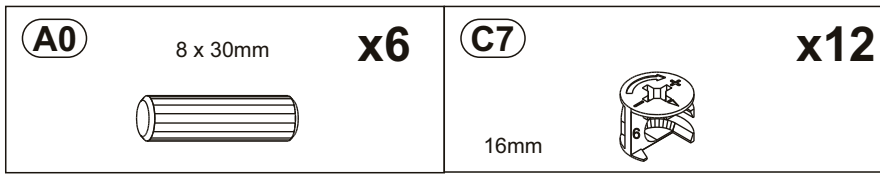
<b>A0</b>	8 x 30mm	<b>x4</b>	<b>C7</b>	16mm	<b>x2</b>	<b>C2</b>	<b>x3</b>
<b>D21</b>	5 x 13 mm	<b>x12</b>	<b>N2</b>	L-400	<b>x3</b>		

**4** ▶

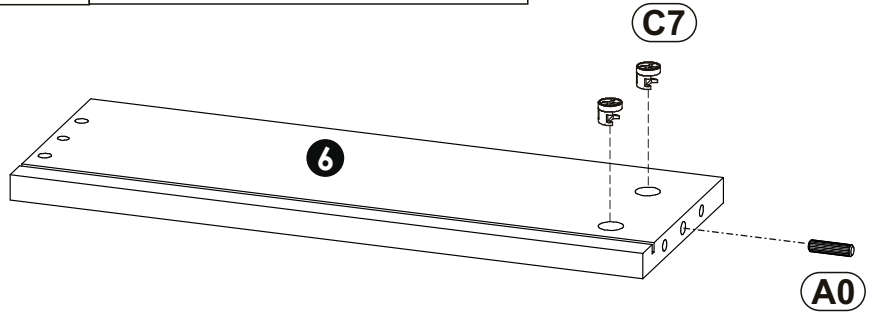
<b>C2</b>		<b>x4</b>	<b>D21</b>	5 x 13 mm	<b>x1</b>	<b>P0</b>	<b>x1</b>
-----------	--	-----------	------------	-----------	-----------	-----------	-----------



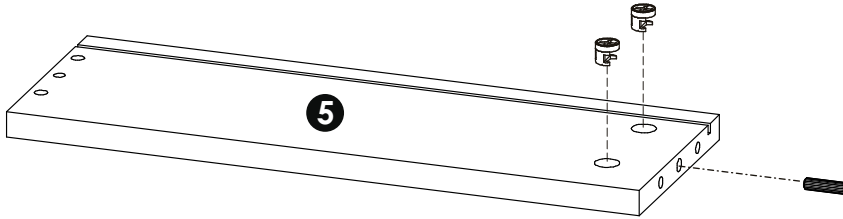
5▶



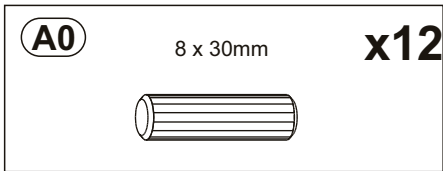
**x3**



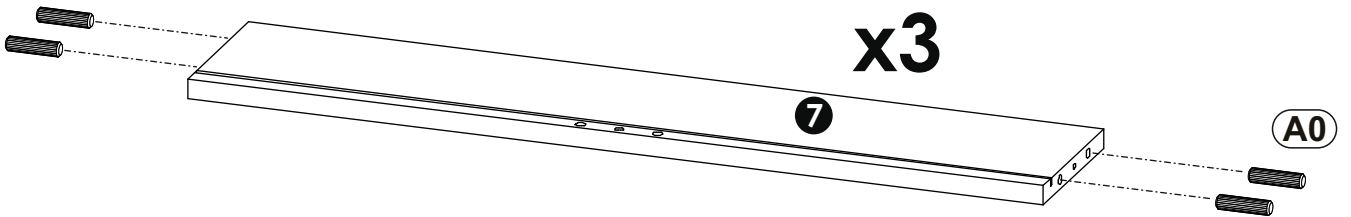
**x3**



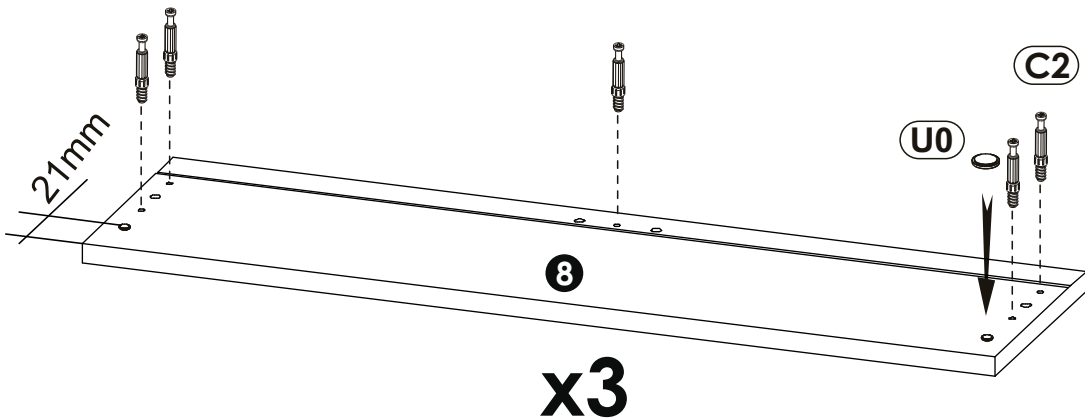
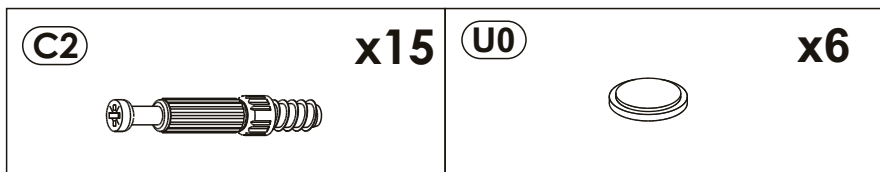
6▶



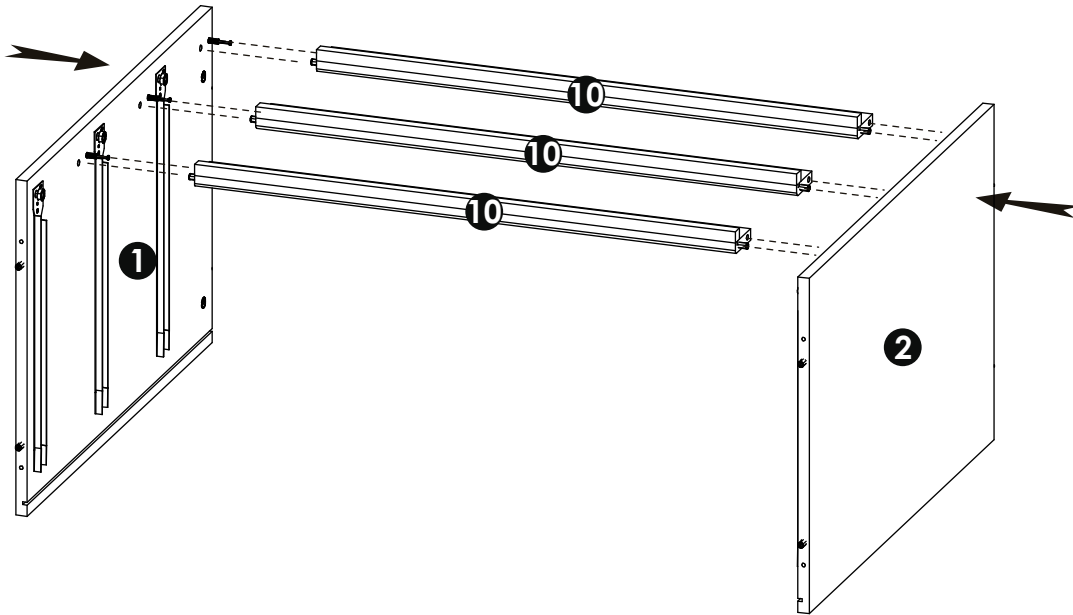
**x3**



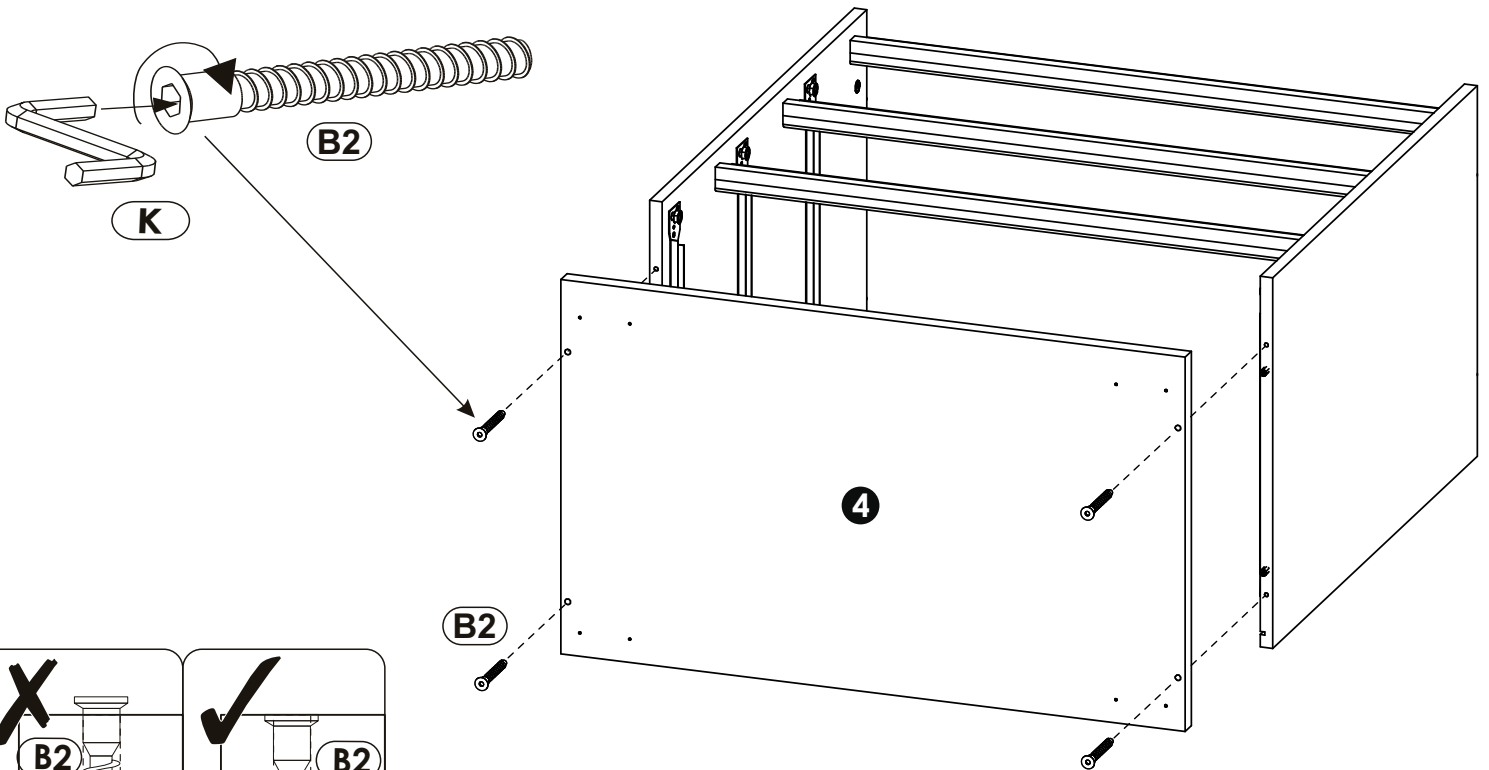
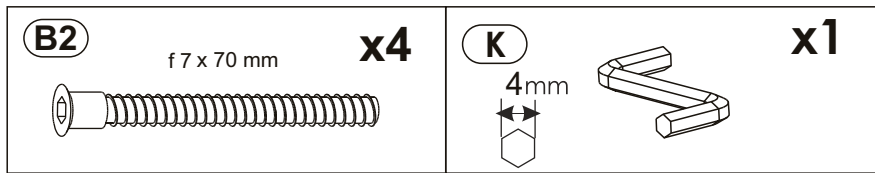
7▶



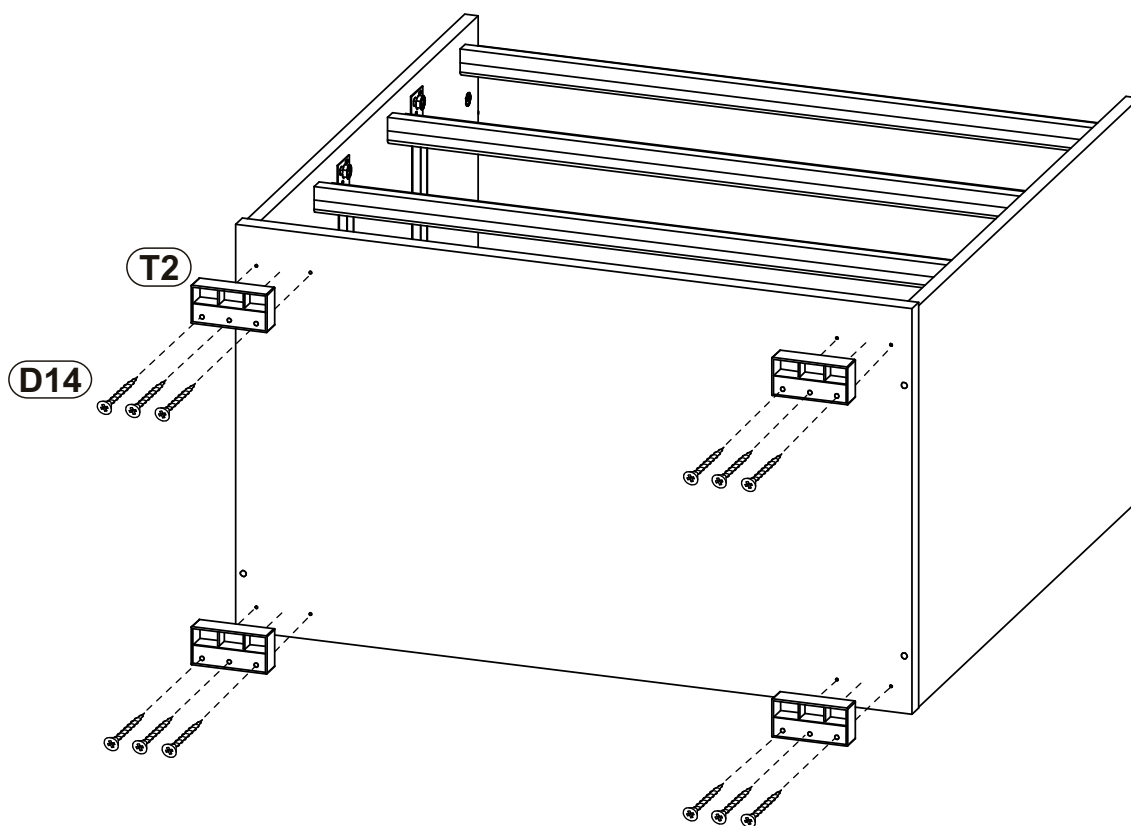
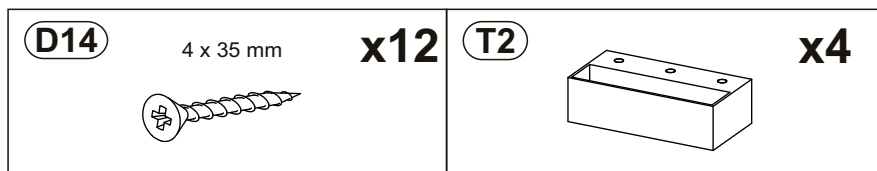
8 ▶



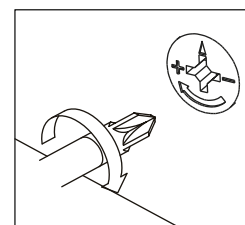
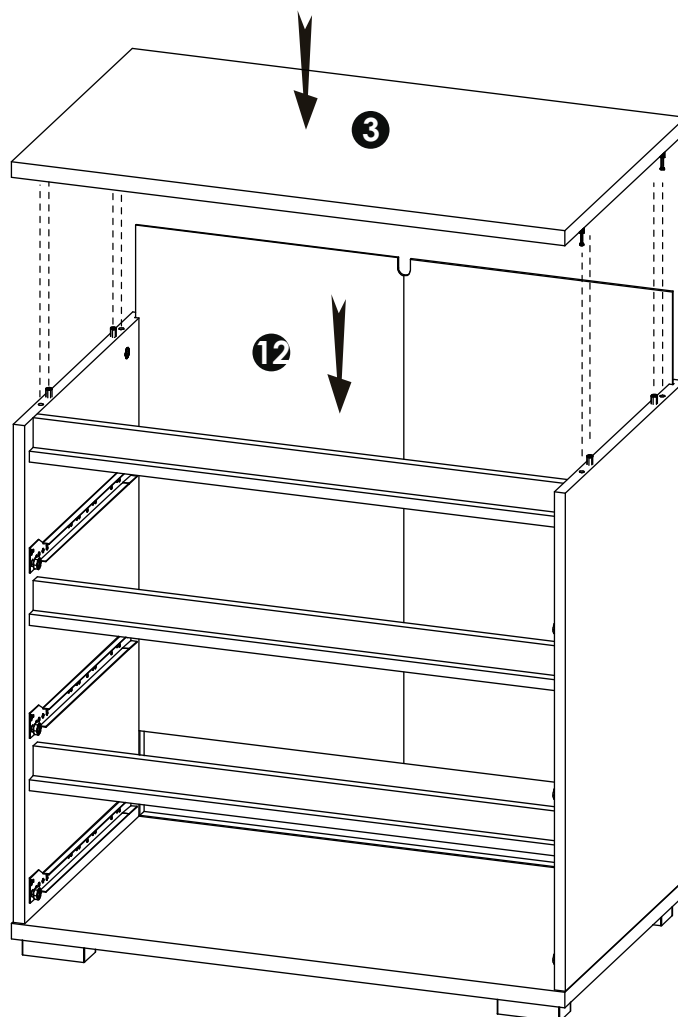
9 ▶



10 ▶





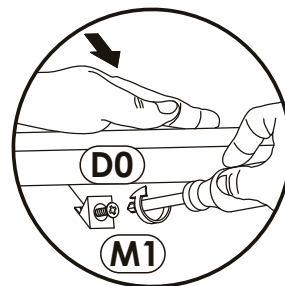
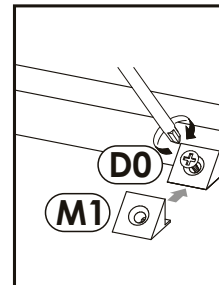
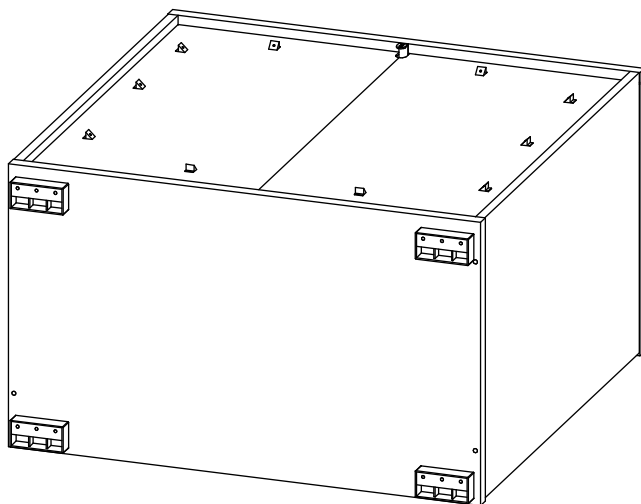
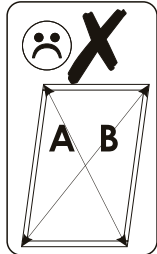
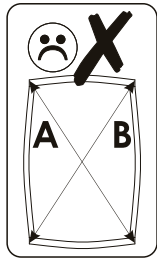
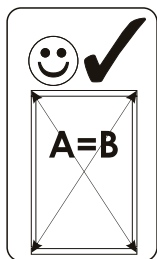
11 ▶




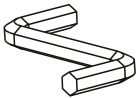


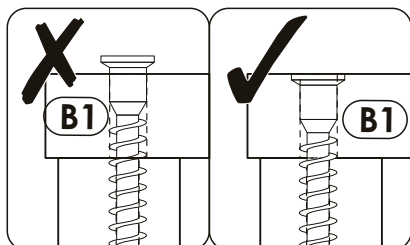
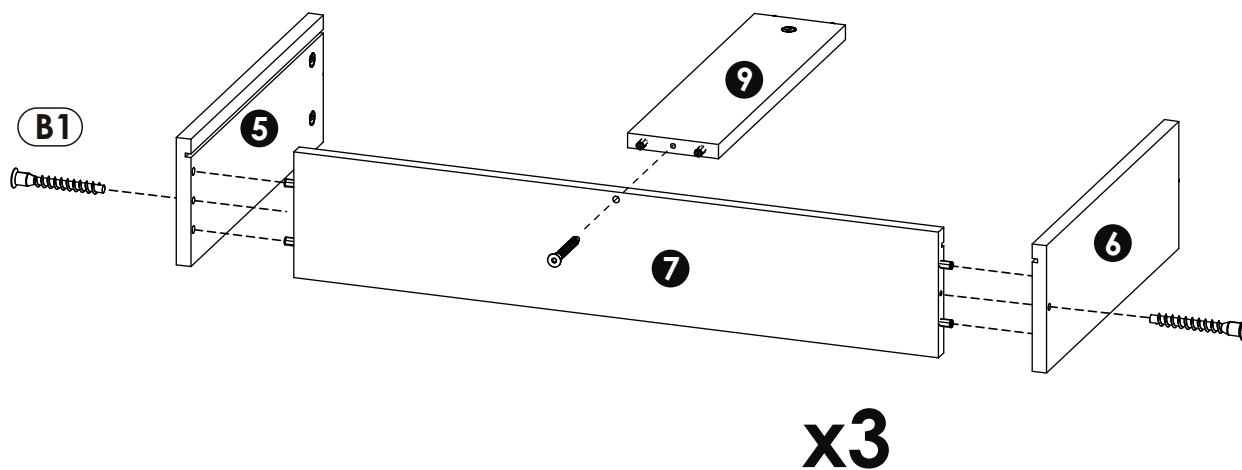
12▶

<p>(D0) 3 x 15 mm x10</p> 	<p>(M1) x10</p> 
---	---

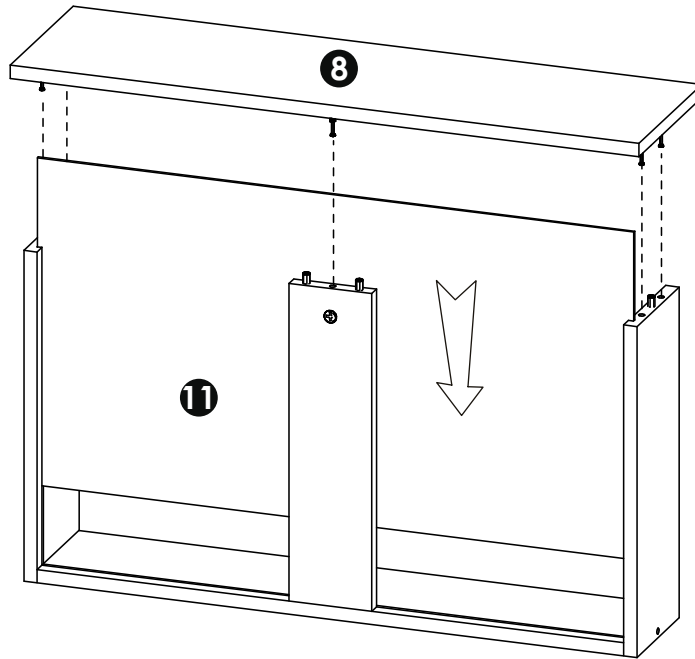
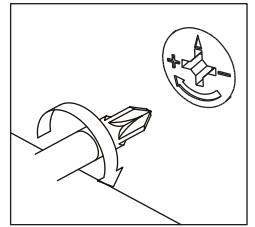


13▶

<p>(B1) f 7 x 50 mm x9</p> 	<p>(K) 4mm x1</p> 
--	---

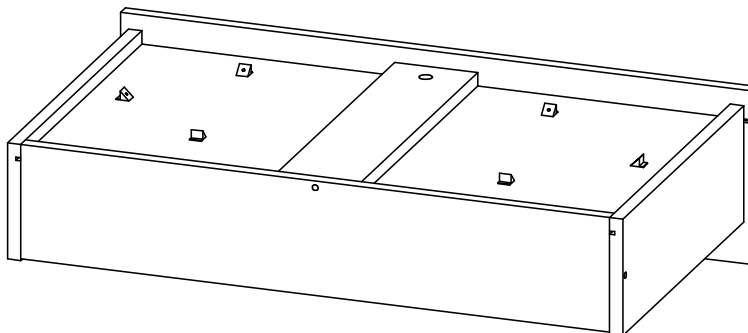
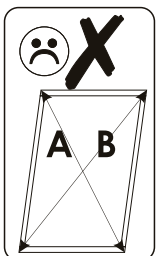
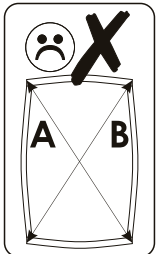
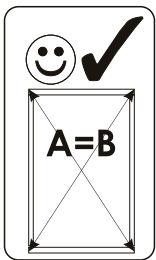
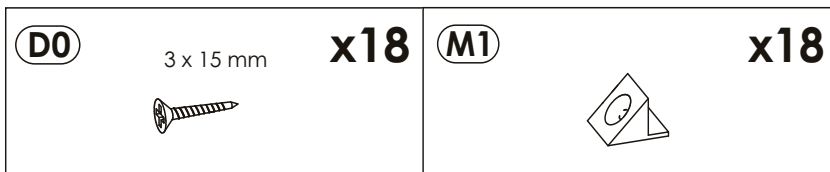


14▶

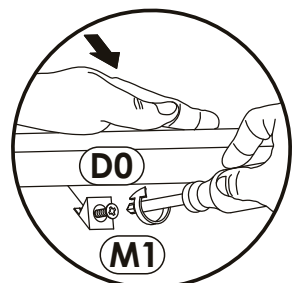
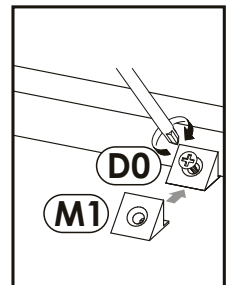


x3

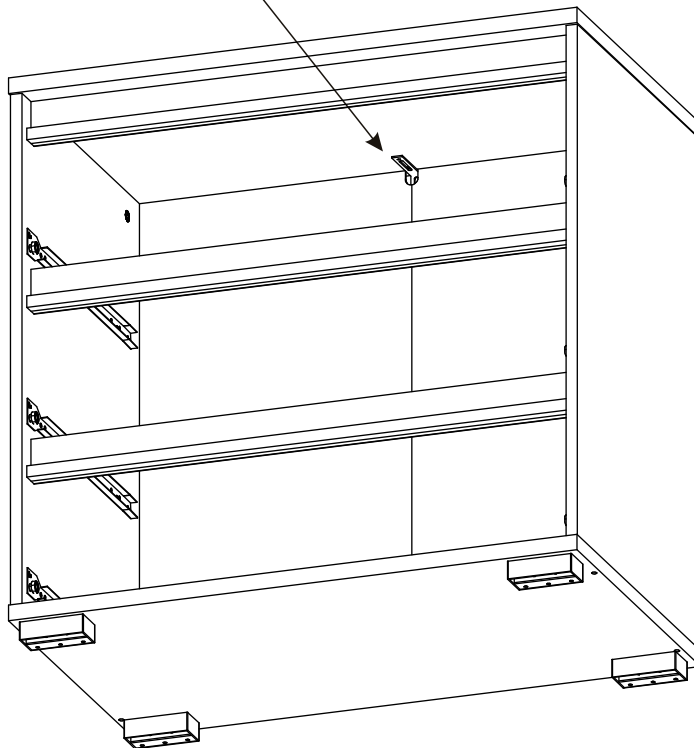
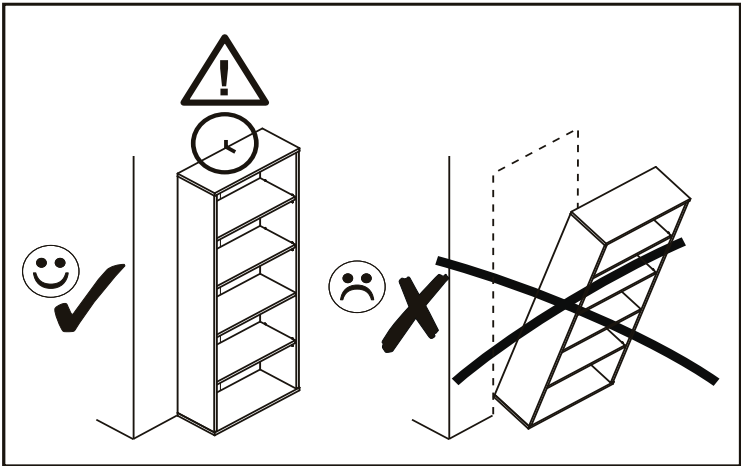
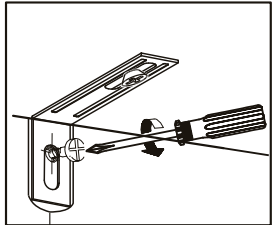
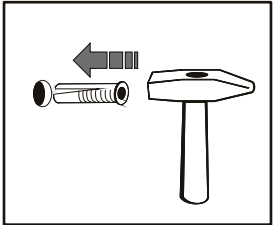
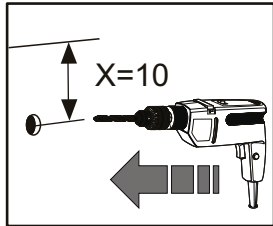
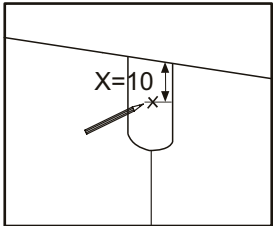
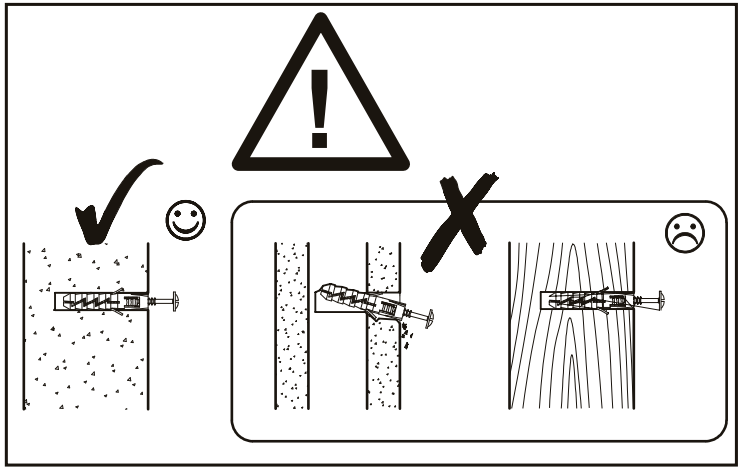
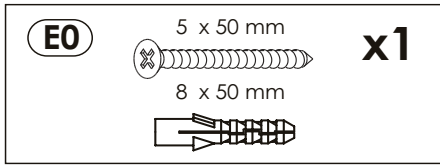
15▶



x3


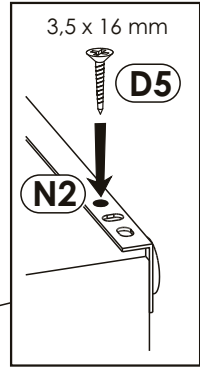
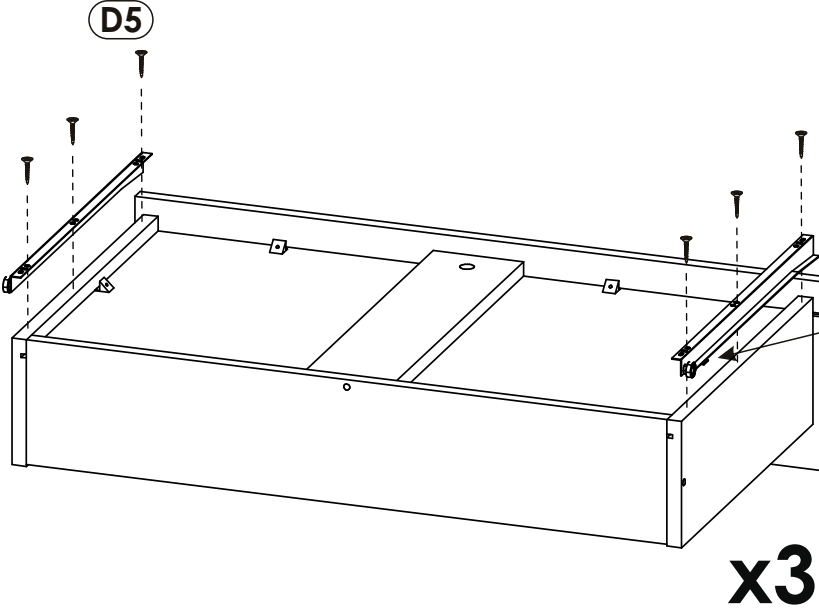
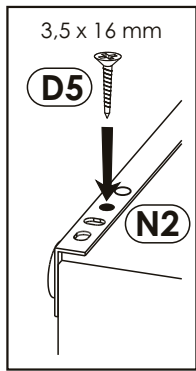


# 16▶



17▶

<b>(D5)</b>	3.5 x 16 mm	<b>x18</b>	<b>(N2)</b>	L-400	<b>x3</b>
-------------	-------------	------------	-------------	-------	-----------

18▶

<b>(C0)</b>		<b>x12</b>
-------------	--	------------

