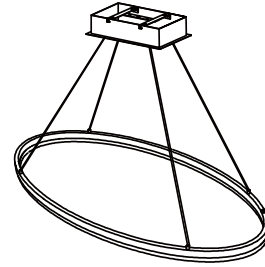
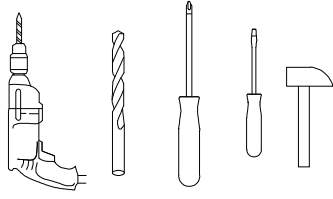


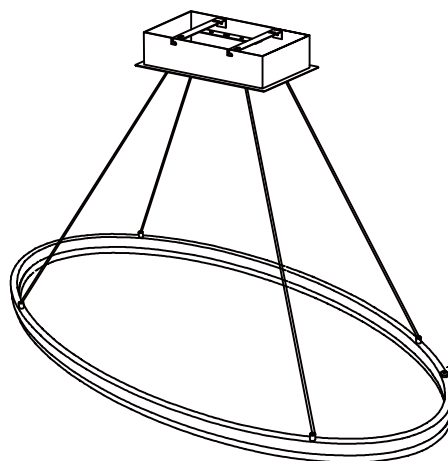
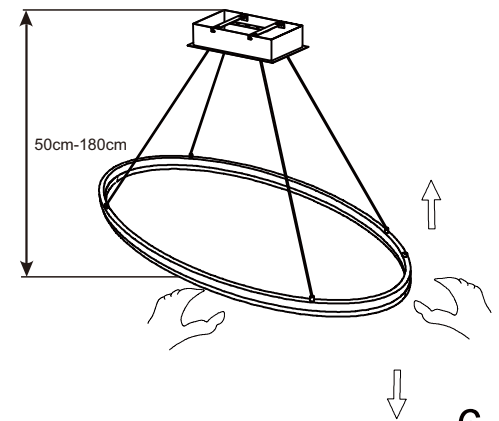
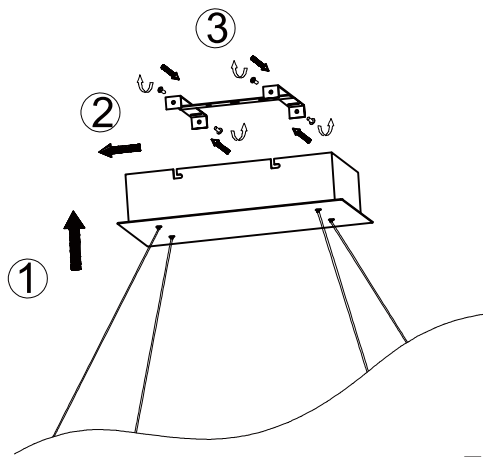
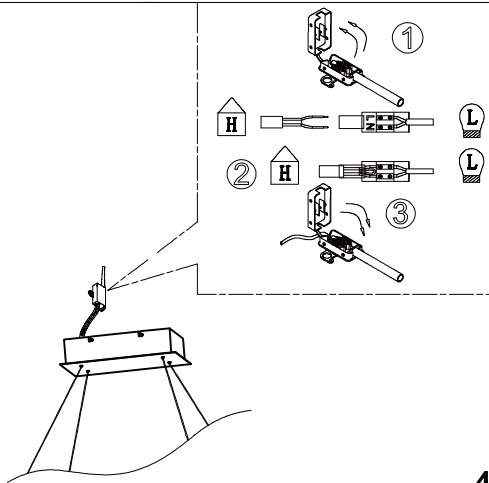
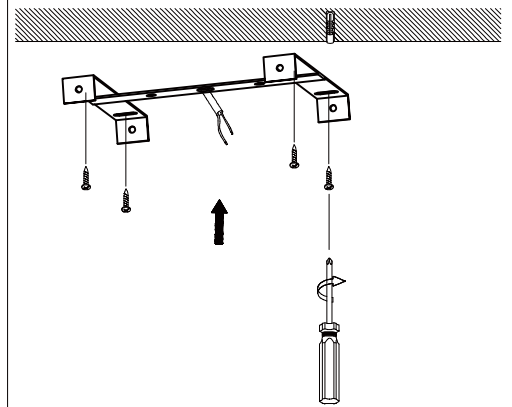
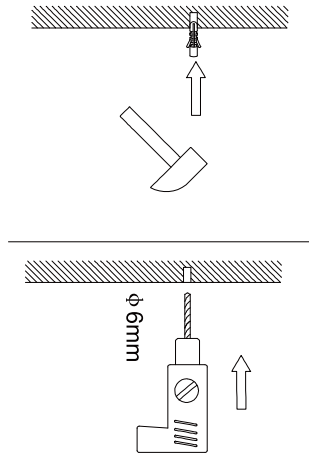
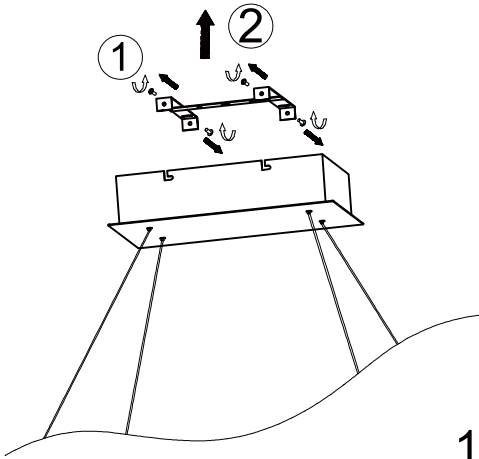


Fischer&Honsel GmbH  
 Graf-Gottfried-Str.111  
 D-59755 Arnsberg  
 +49(0)2932-989-0  
 www.fischer-honsel.de  
 info@fischer-honsel.de

**FH**  
 FISCHER&HONSEL



x1



① <2 sec. 2700K 3350K 4000K

② >2 sec.

The diagram shows a color temperature scale with three points: 2700K (warm white), 3350K (neutral white), and 4000K (cool white). Below the scale are two touch control icons: one for a short press (<2 sec.) and one for a long press (>2 sec.).