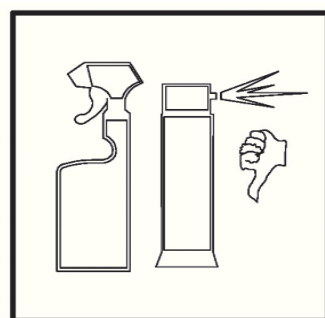
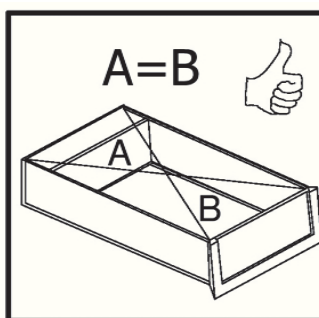
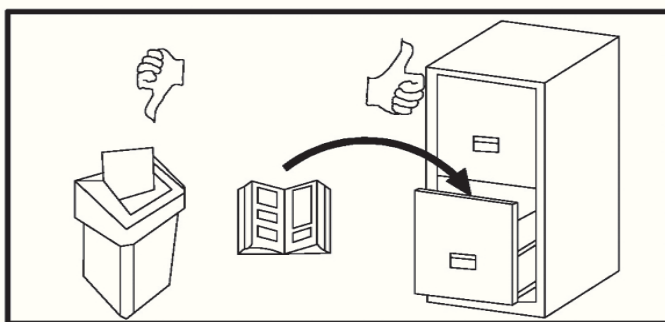
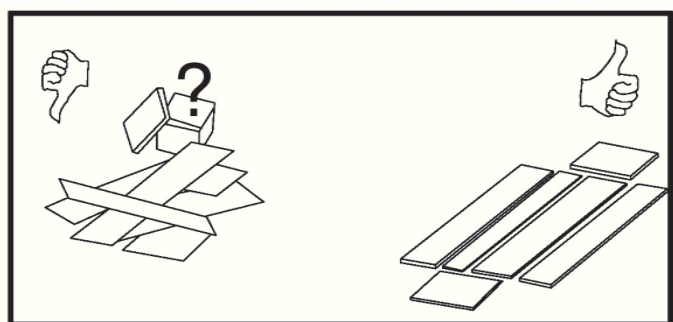
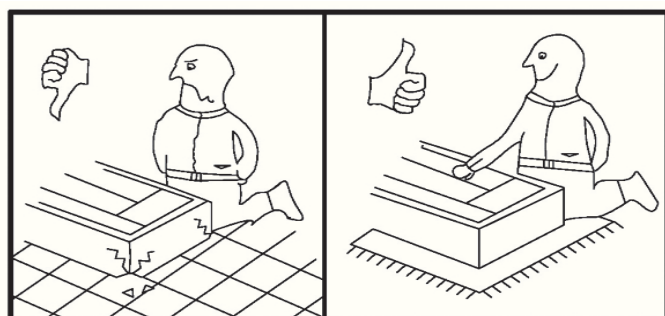
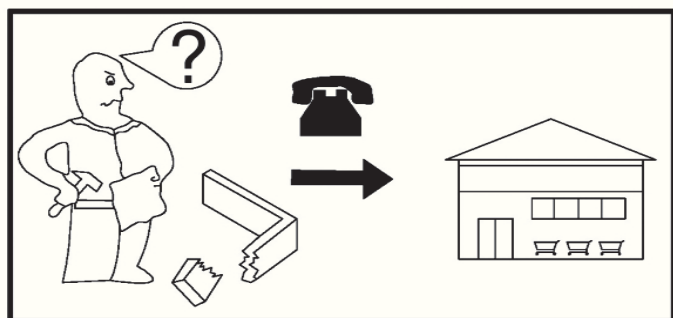
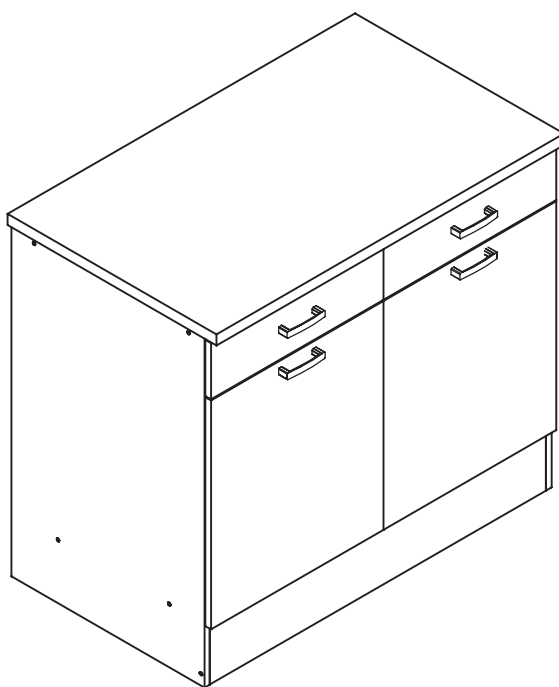
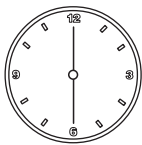
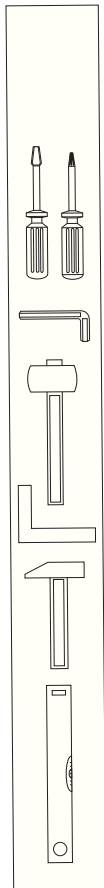
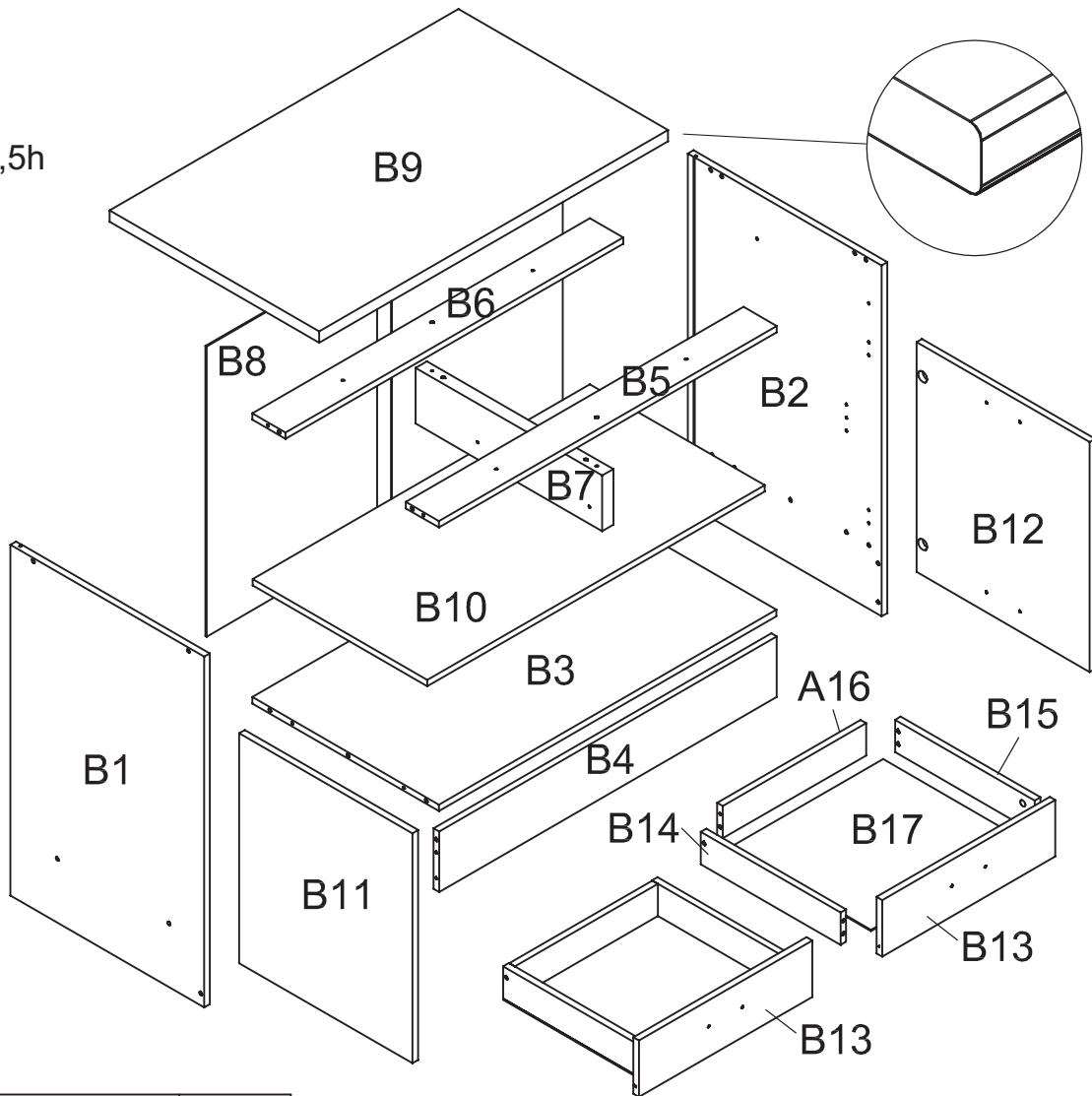


# ANDY





1,5h



B1/B2	870mm x 555 mm	1/1
B3	967mm x 534 mm	1
B4	967mm x 150 mm	1
B5/A6	967mm x 95 mm	1/1
B7	534 mm x 138 mm	1
B8	720 mm x 489 mm	2
B9	1000mm x 600 mm	1

B10	966mm x 500 mm	1
B11/B12	496mm x 570 mm	1/1
B13	496mm x 140 mm	2
B14/B15	400mm x 80 mm	2/2
B16	410mm x 80 mm	2
B17	441mm x 406 mm	2

