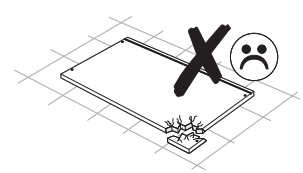
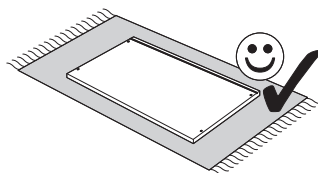
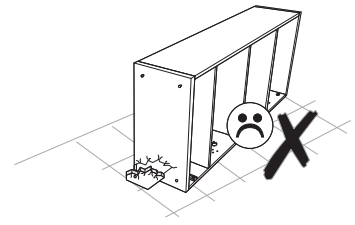
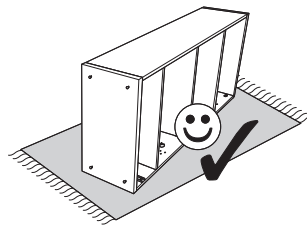
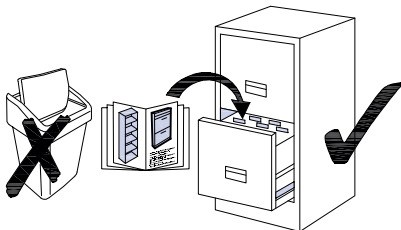
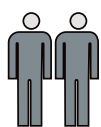
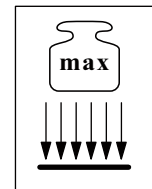
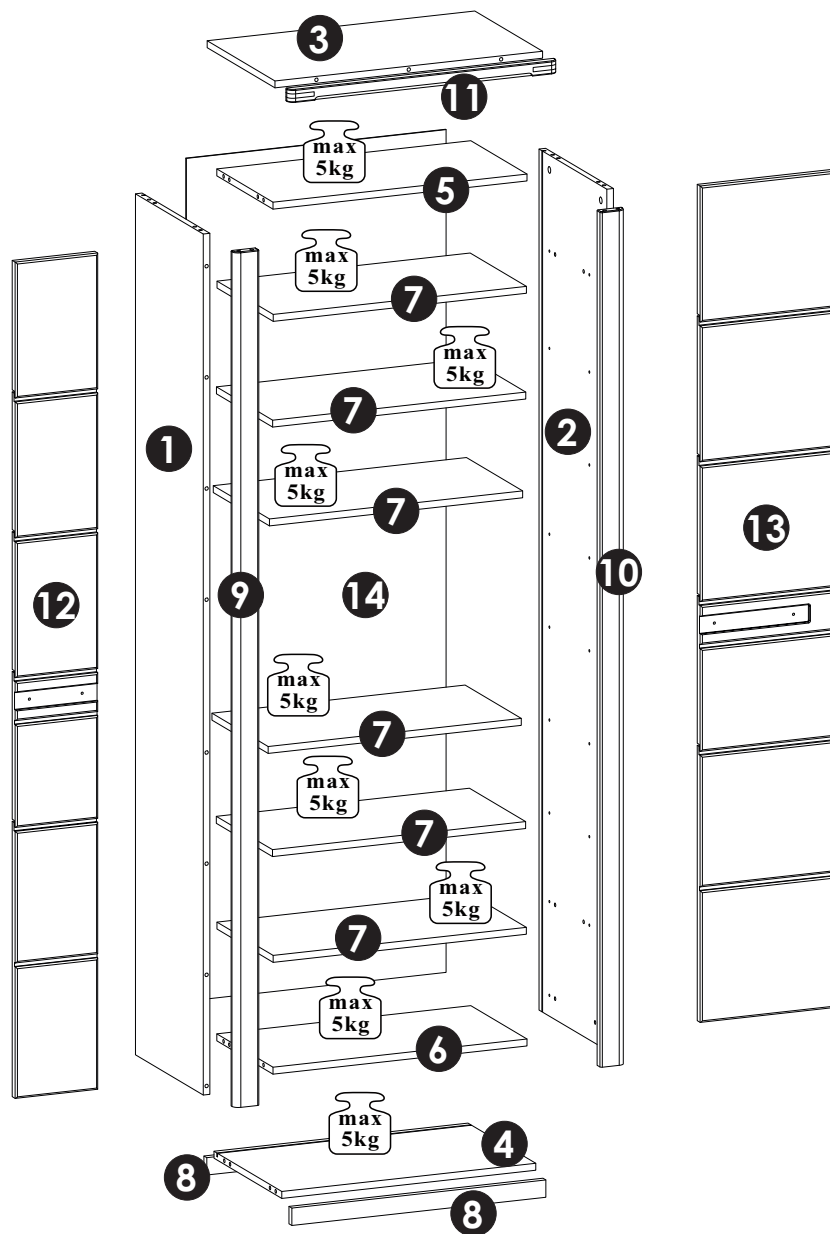


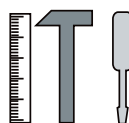
Nature One 32 18 FF 02



Nature One 32 18 FF 02



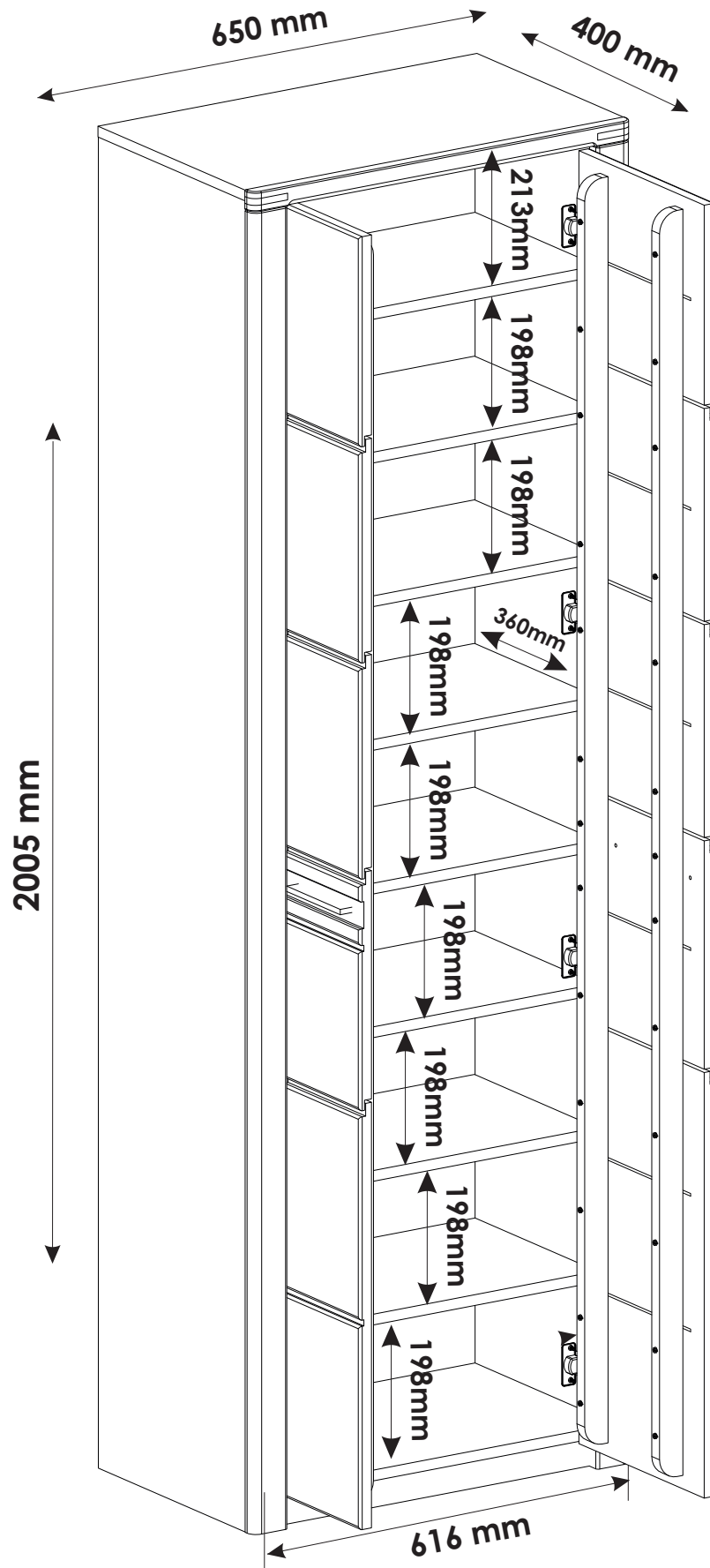
135 min

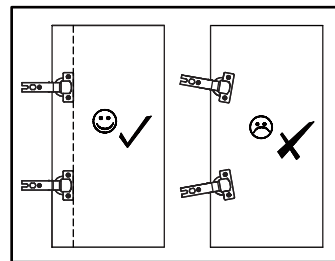
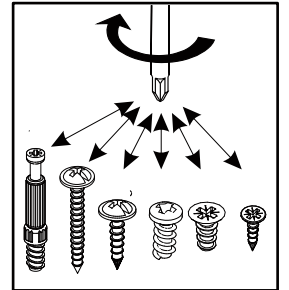
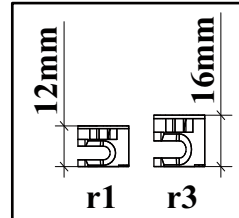
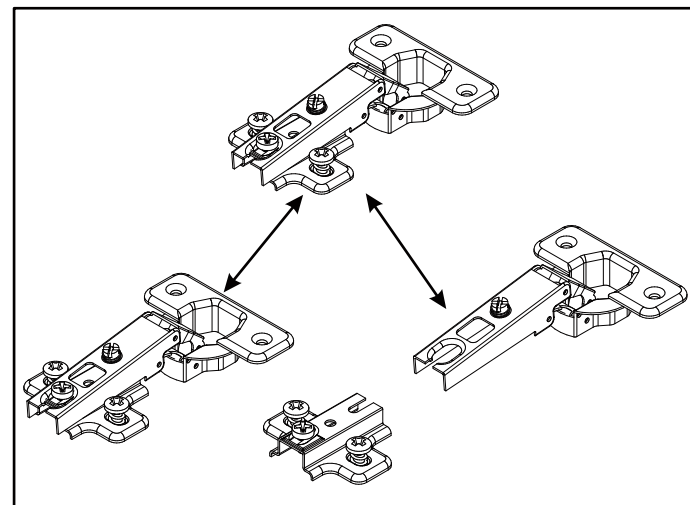
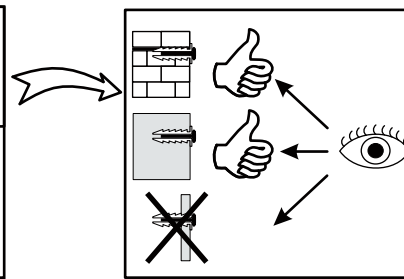
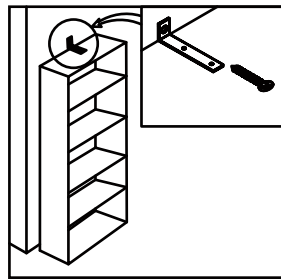
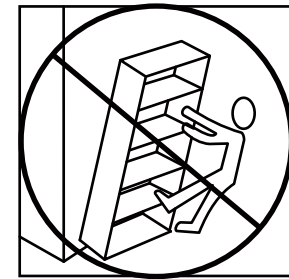
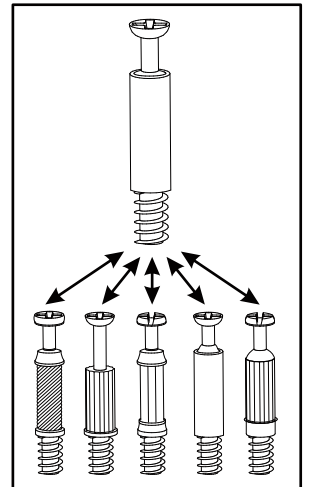
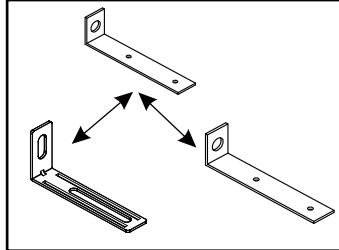
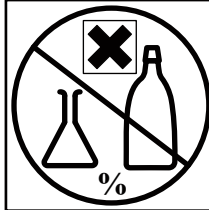
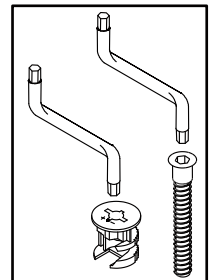
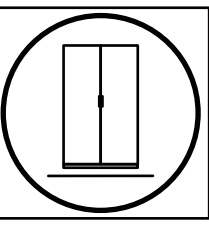
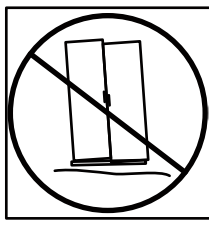
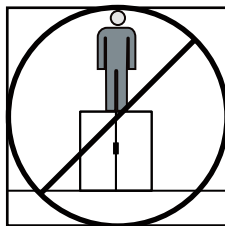
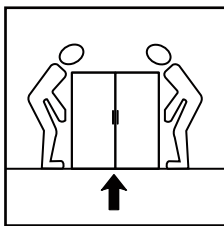
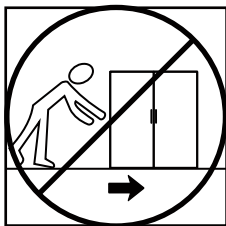
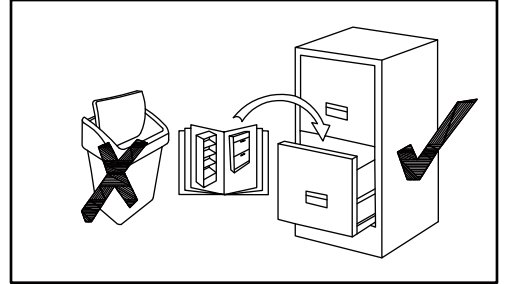
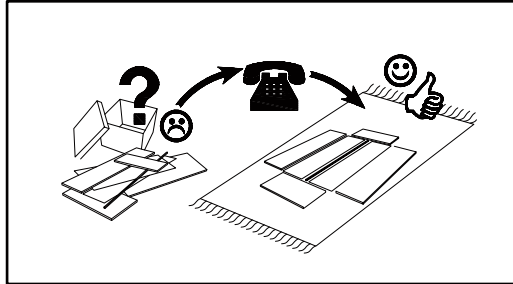
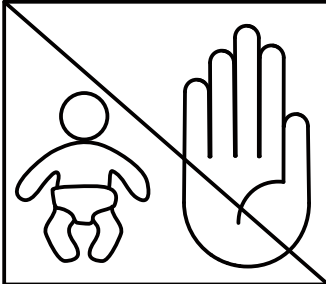
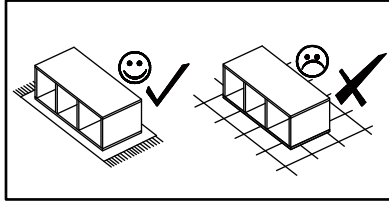
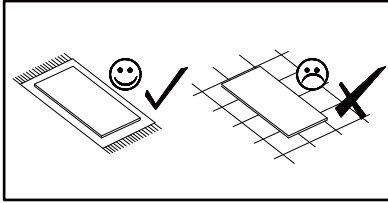
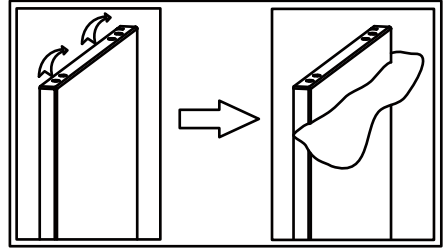


NO	Dim.(mm)			Col.-No	Qty
1	1983	380	16	2/2	1
2	1983	380	16	2/2	1
3	649	380	16	1/2	1
4	616	380	16	1/2	1
5	616	315	16	1/2	1
6	616	315	16	1/2	1
7	614	315	16	1/2	3
7	614	315	16	2/2	3
8	616	40	16	1/2	2
9	1970	60	20	2/2	1
10	1970	60	20	2/2	1
11	651	30	20	1/2	1
12	1926	200	60	2/2	1

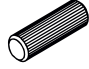
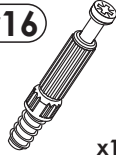



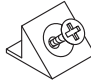


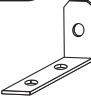
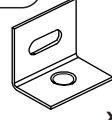

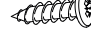


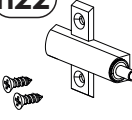
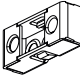
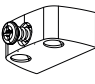


NO	Dim.(mm)			Col.-No	Qty
13	1926	323	60	2/2	1
14	1941	630	3	2/2	1
A				1/2	1

Nature One 32 18 FF 02

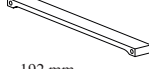
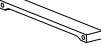




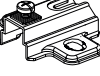

A1

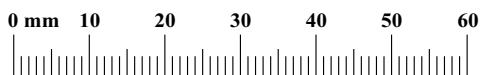
<p>f1</p>  <p>φ8x30 mm x20</p>	<p>r16</p>  <p>x19</p>	<p>r1</p>  <p>x19</p>	<p>p1</p>  <p>φ3.5x13 mm x26</p>	<p>t17</p>  <p>φ8x50 mm x1</p>	<p>l2</p>  <p>x16</p>	<p>s2</p>  <p>x19</p>
<p>k1</p>  <p>x6</p>	<p>n14</p>  <p>x1</p>	<p>n6</p>  <p>x4</p>	<p>e2</p>  <p>φ6.3x13 mm x16</p>	<p>p4</p>  <p>φ3.5x16 mm x10</p>	<p>j2</p>  <p>M4x20 mm x4</p>	<p>d1</p>  <p>φ5x17 mm x24</p>
<p>n22</p>  <p>x2</p>	<p>n401</p>  <p>x8</p>	<p>n400</p>  <p>x8</p>	<p>p8</p>  <p>φ4x25 mm x16</p>	<p>p10</p>  <p>φ3.5x20 mm x16</p>		

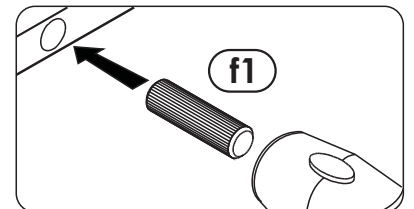
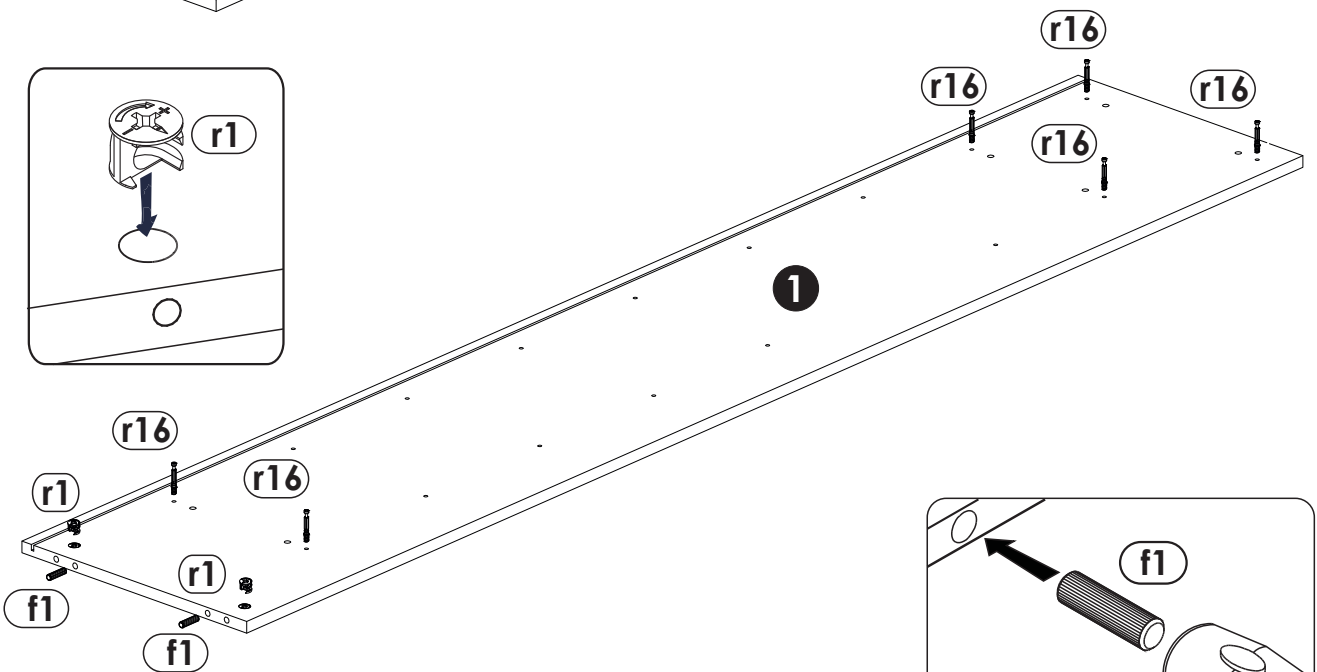
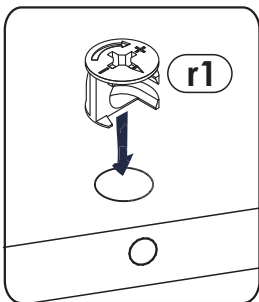
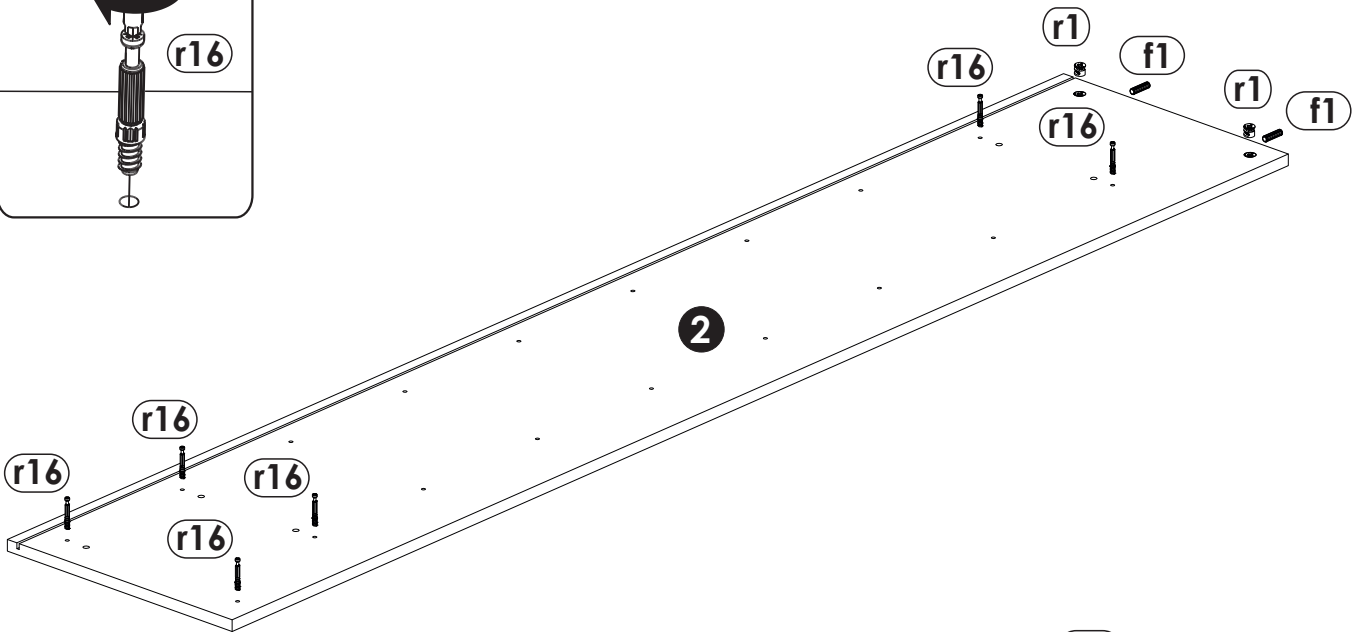
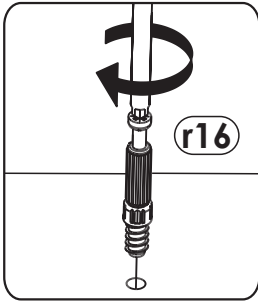
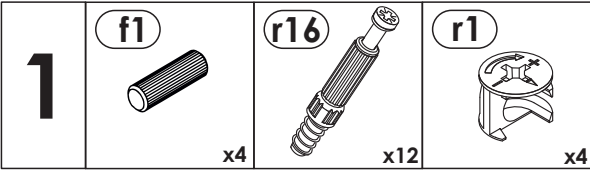
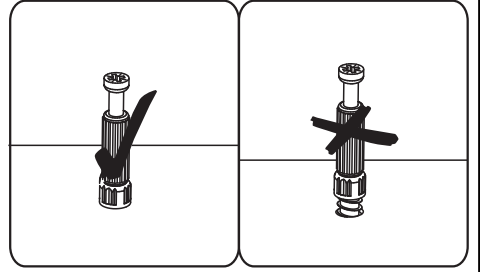
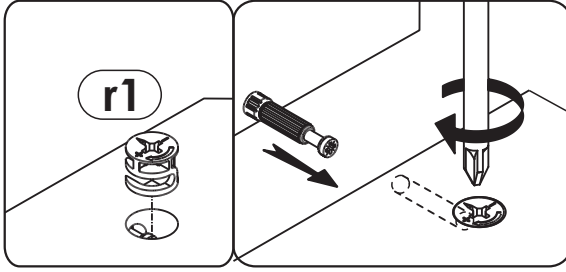
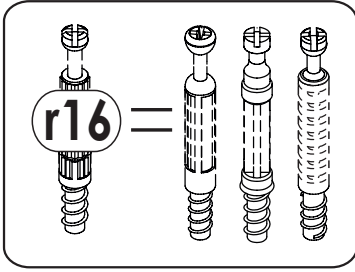
A2

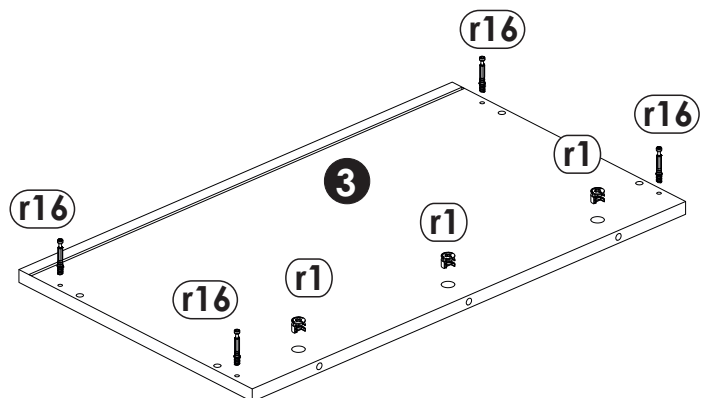
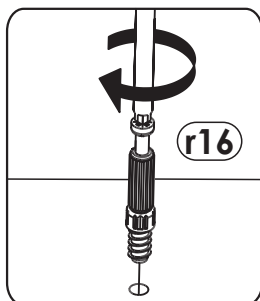
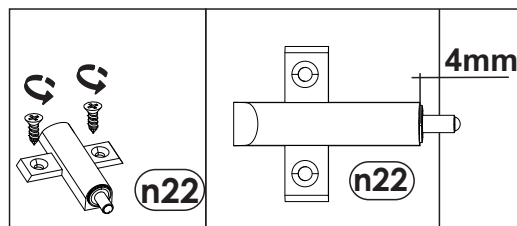
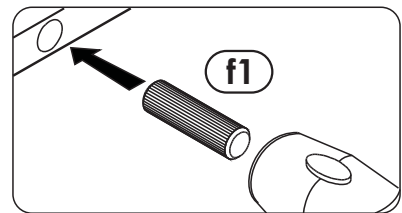
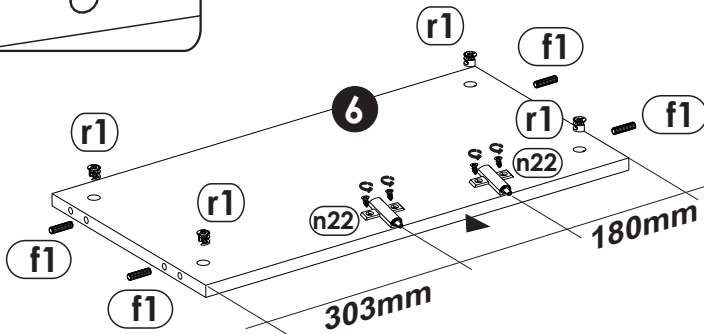
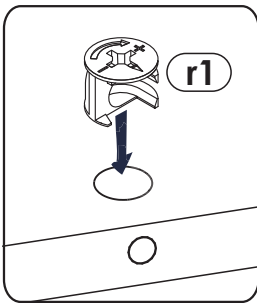
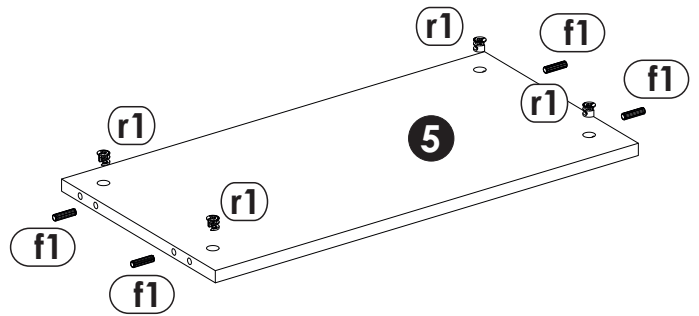
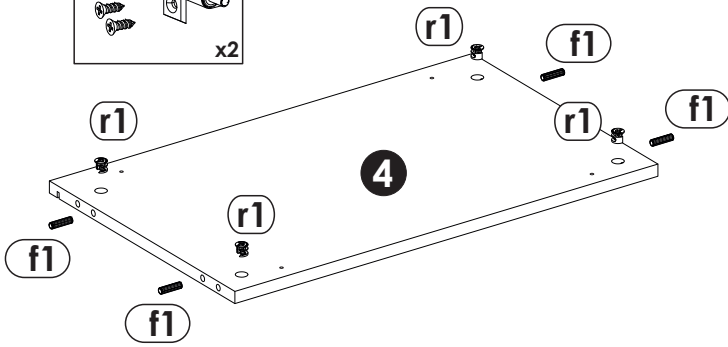
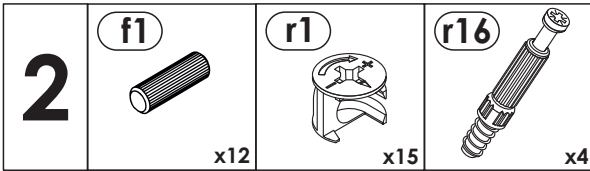
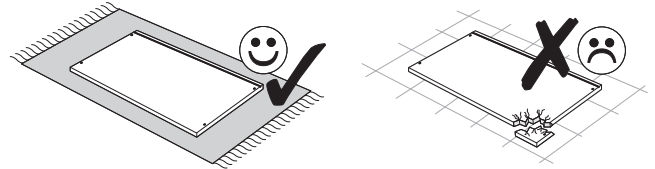
<p>c28</p>  <p>192 mm x1</p>	<p>c27</p>  <p>128 mm x1</p>
--	--



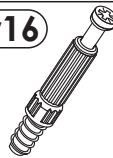
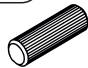
A3

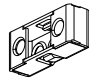

<p>b6</p>  <p>x8</p>	<p>a6</p>  <p>φ35 mm x8</p>
--	---

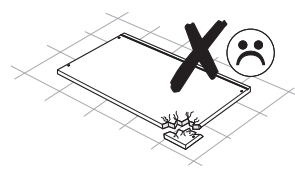
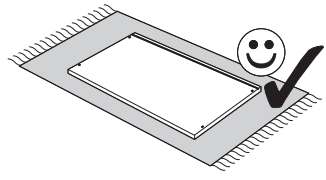
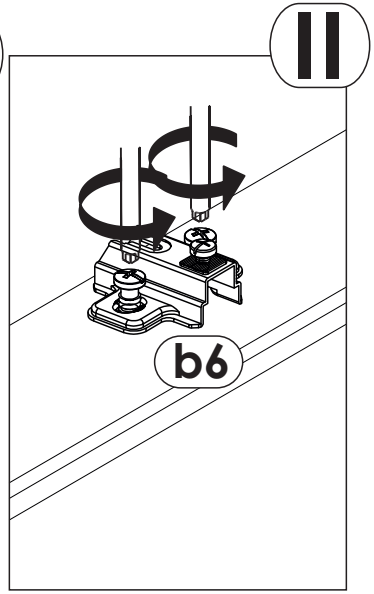
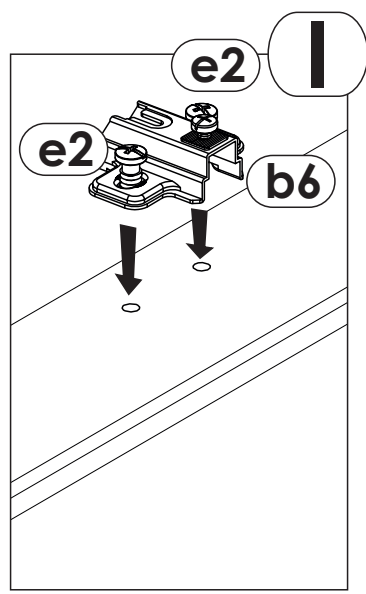
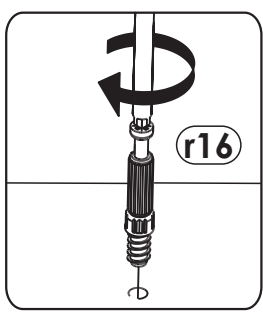
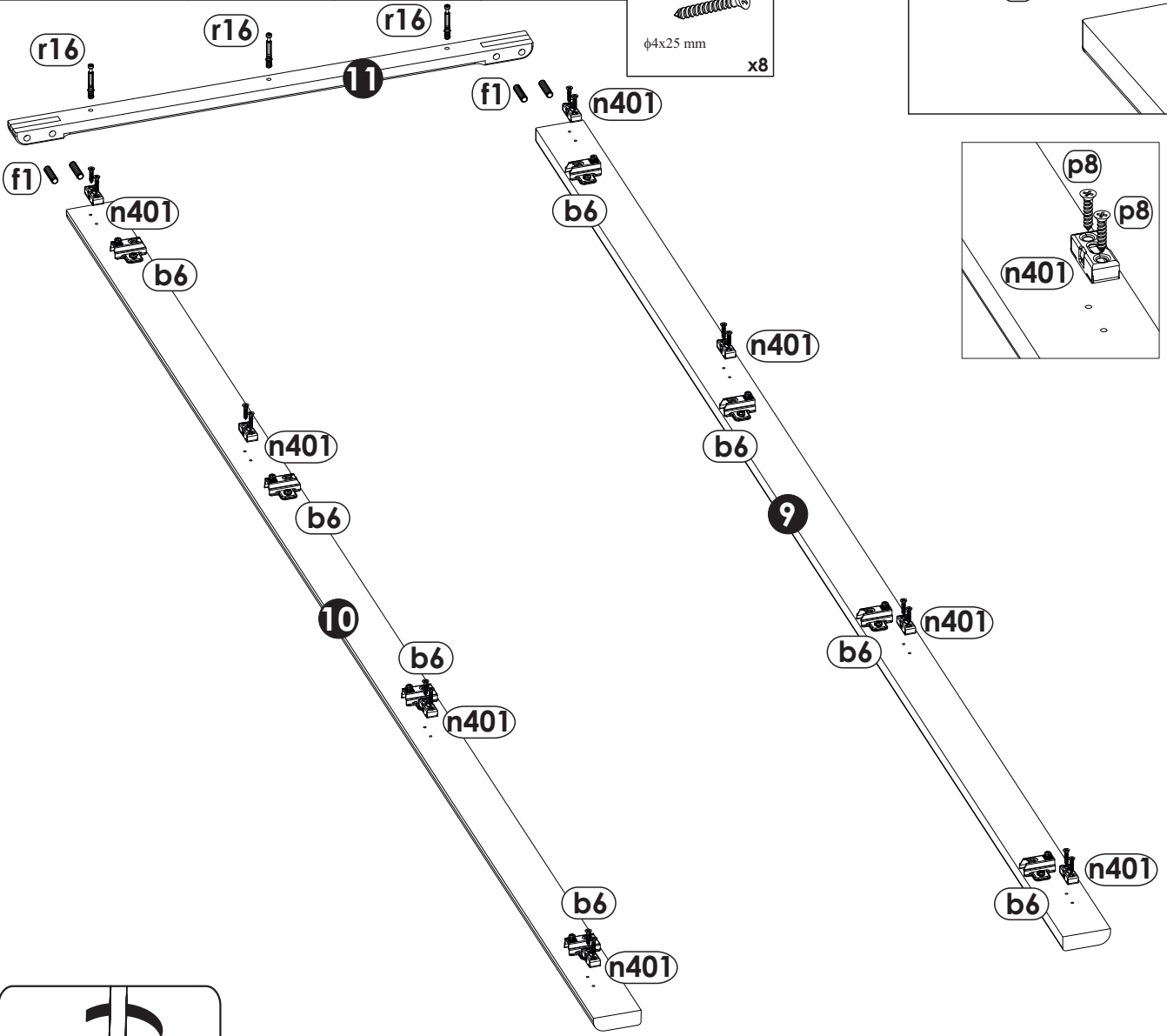
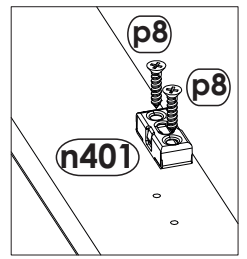
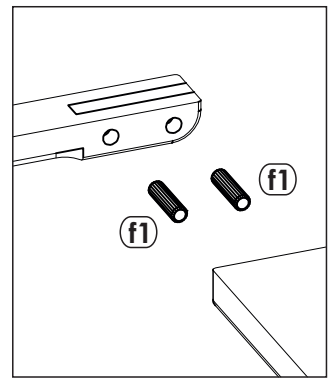



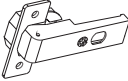


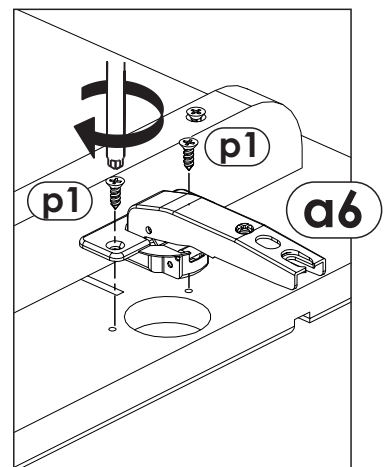
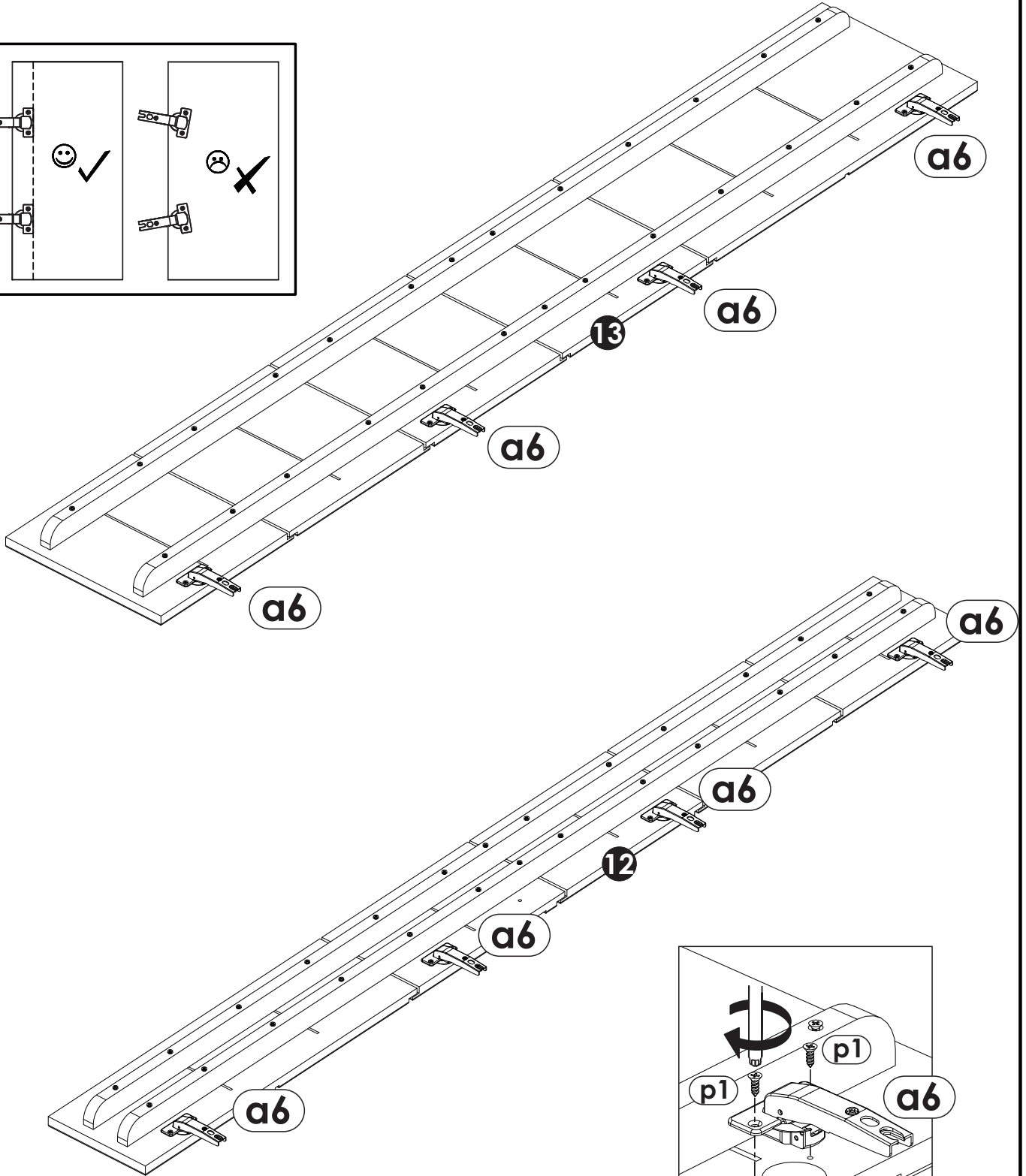
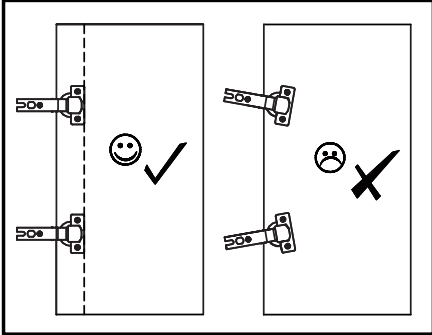
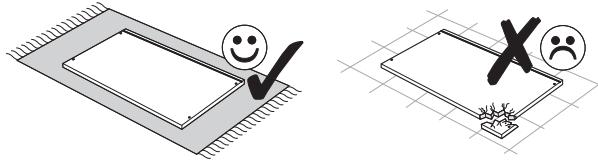


3	e2  φ6.3x13 mm x16	b6  x8	r16  x3	f1  x4
----------	---	--	---	--

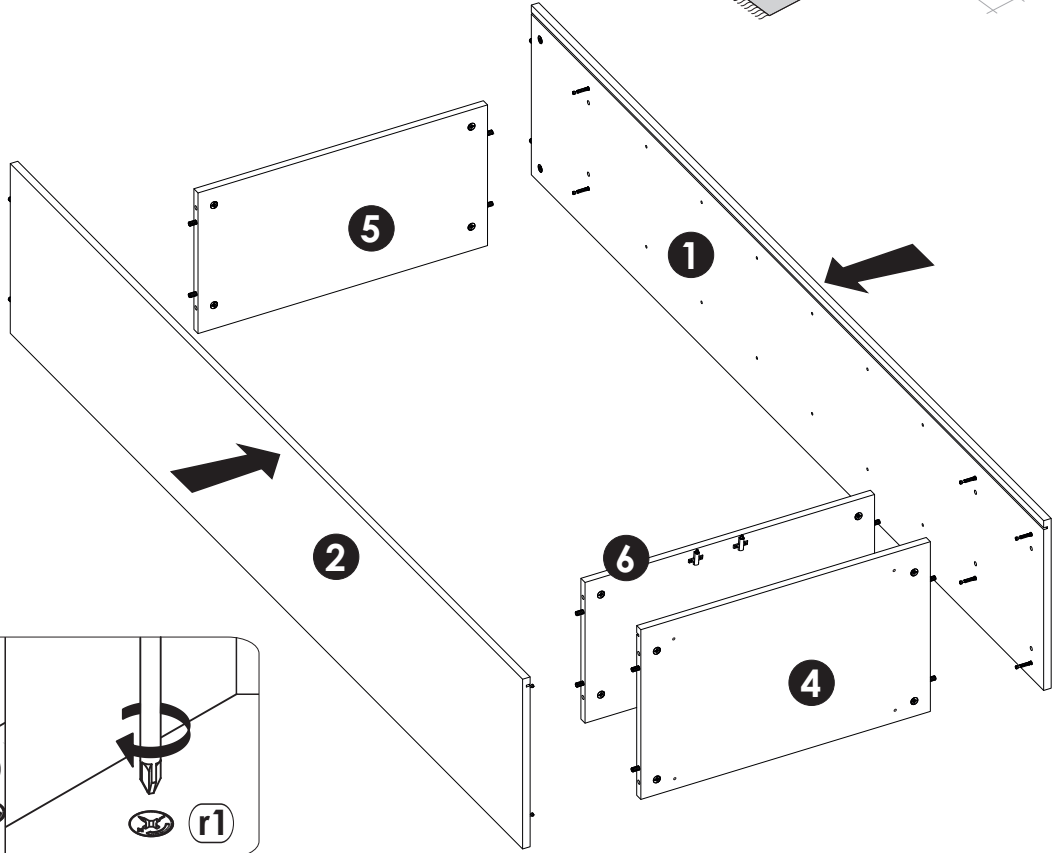
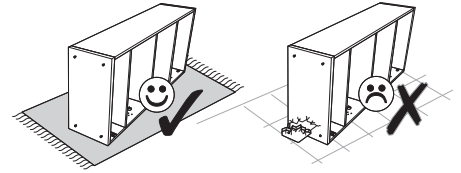
n401  x8
p8  φ4x25 mm x8



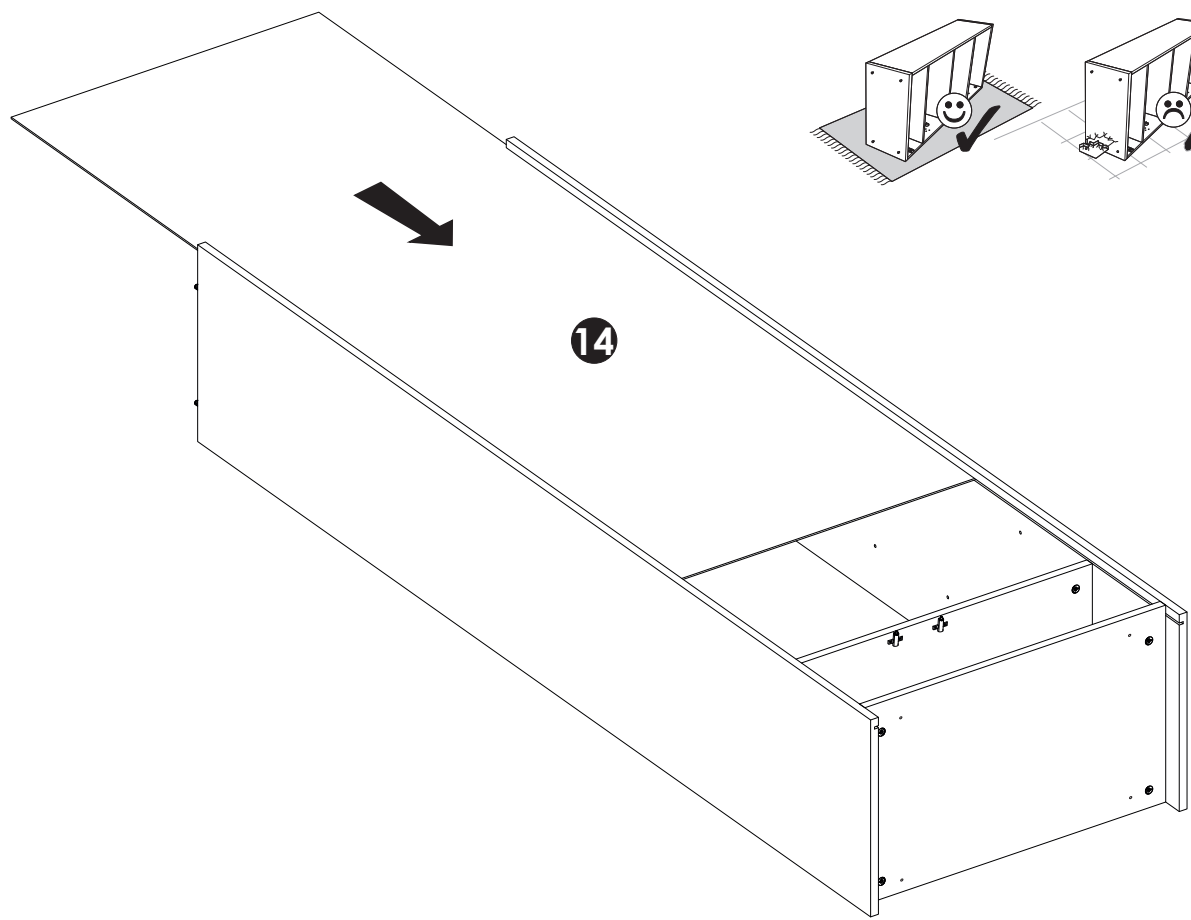
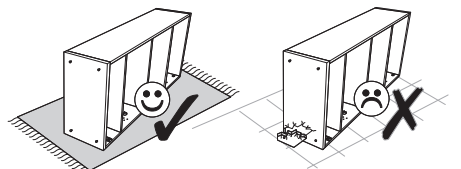
4	p1	a6
	 φ3.5x13 mm	 x8
	x16	x8

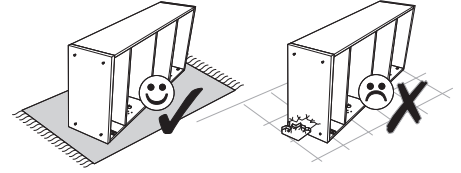


5

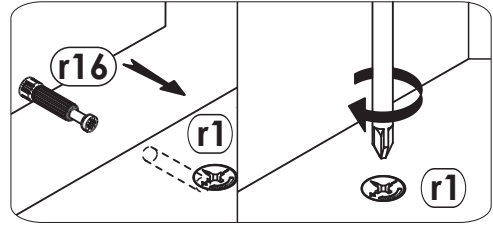
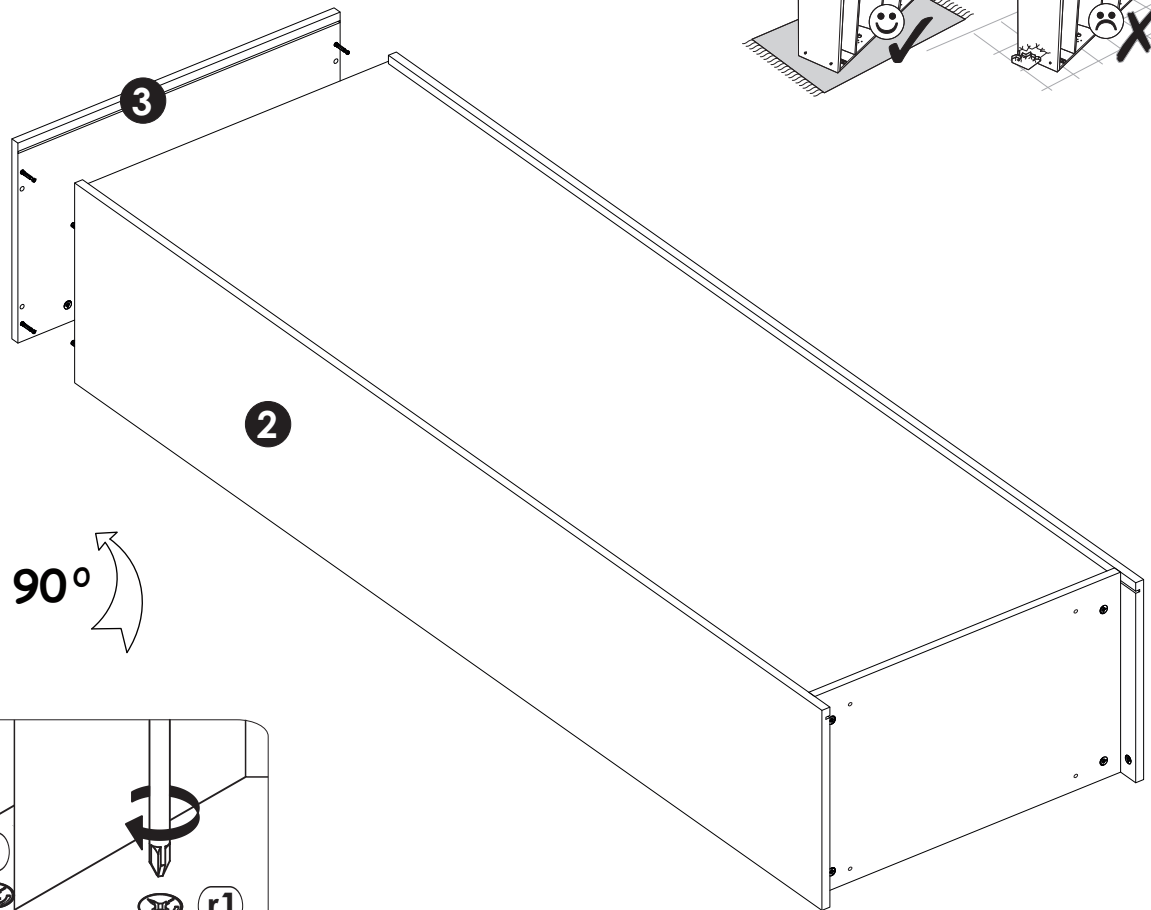


6

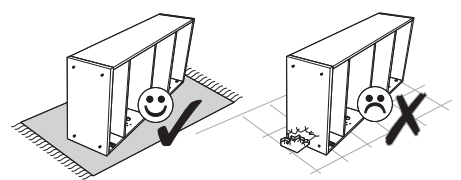
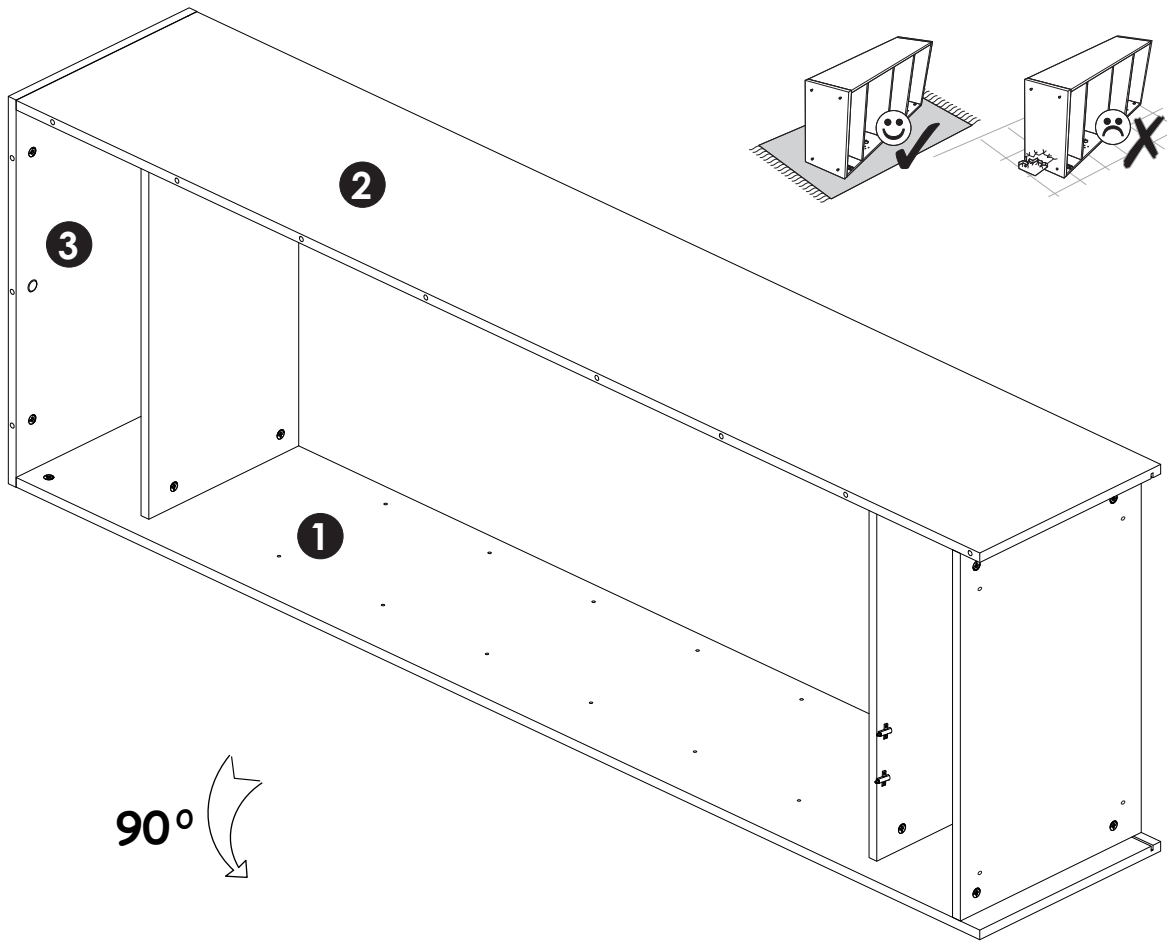


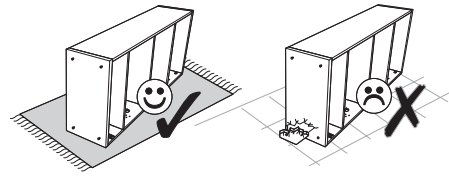


7

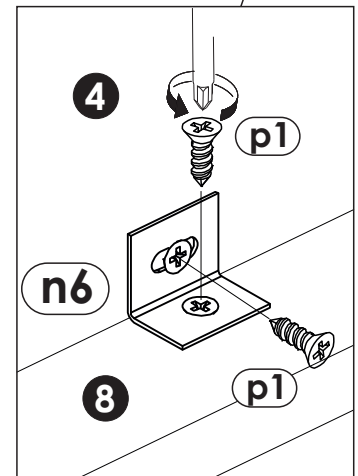
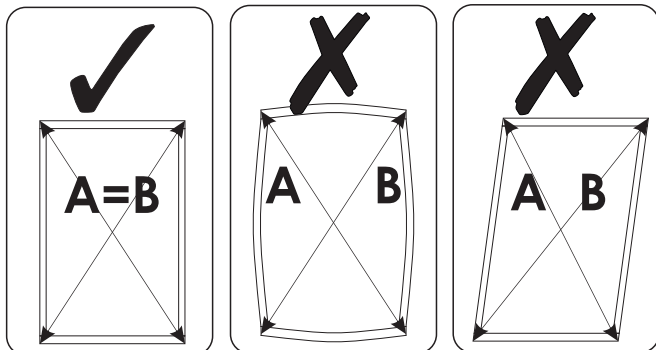
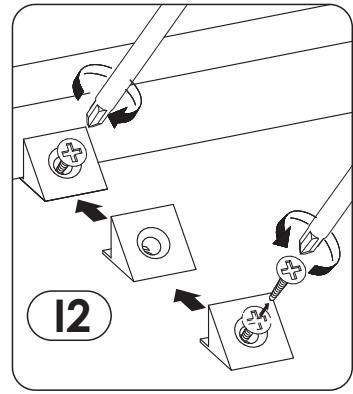
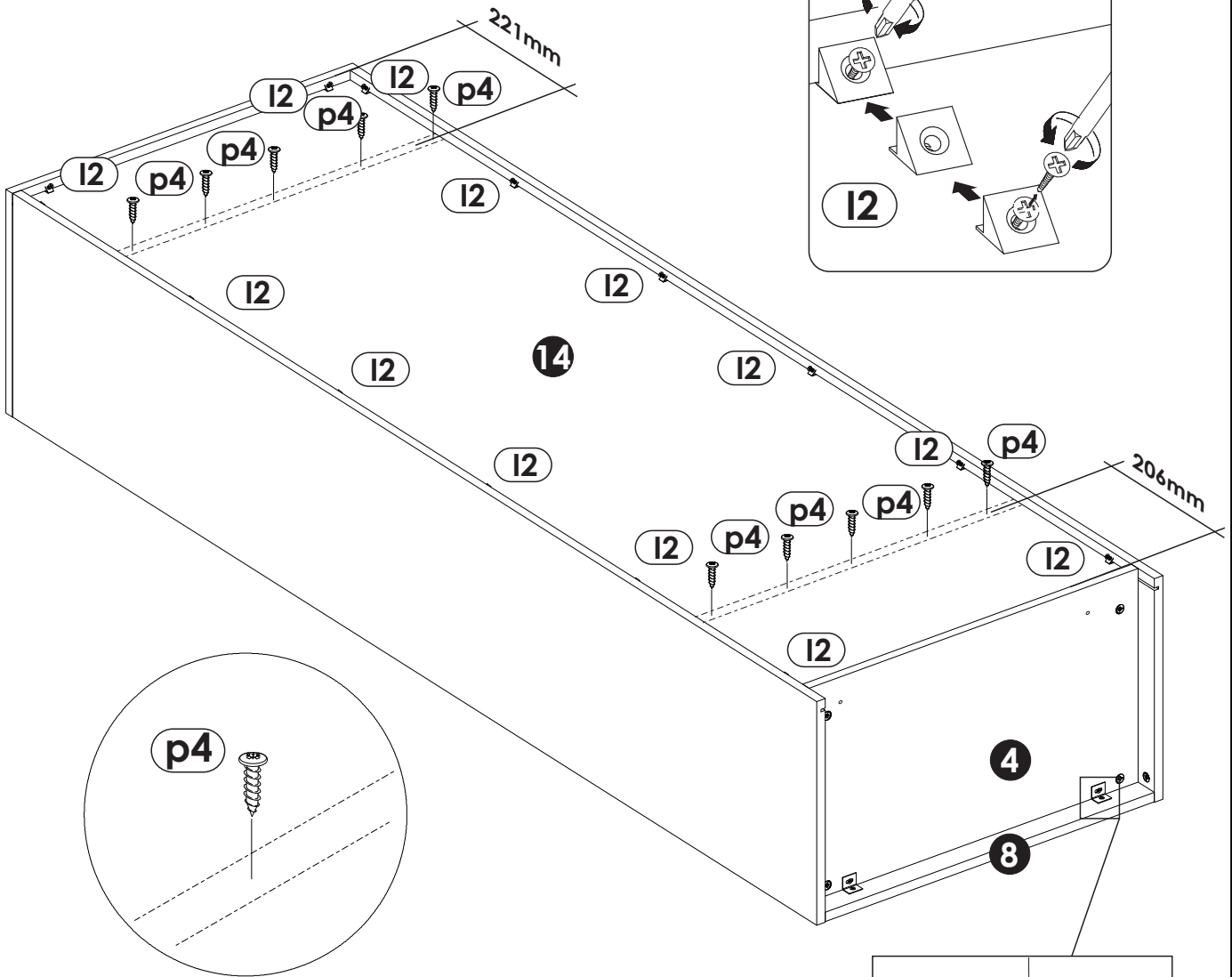


8





9	I2 x16	p1 φ3.5x13 mm x4	n6 x2
	p4 φ3.5x16 mm x10		



10

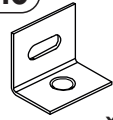
p1



φ3.5x13 mm

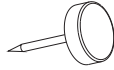
x4

n6

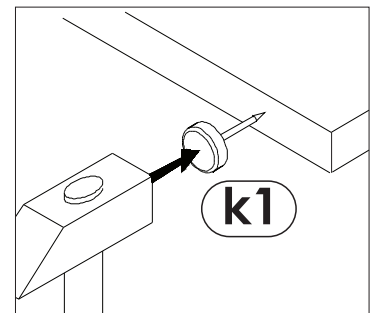
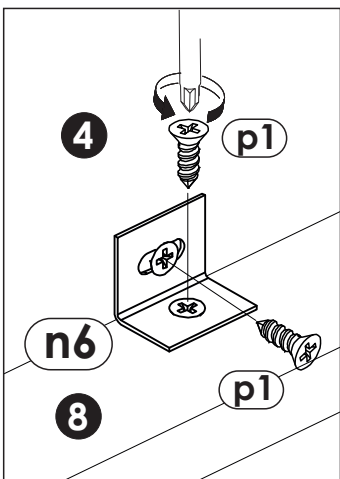
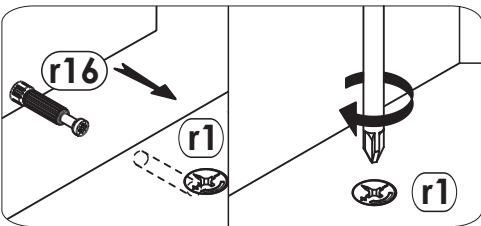
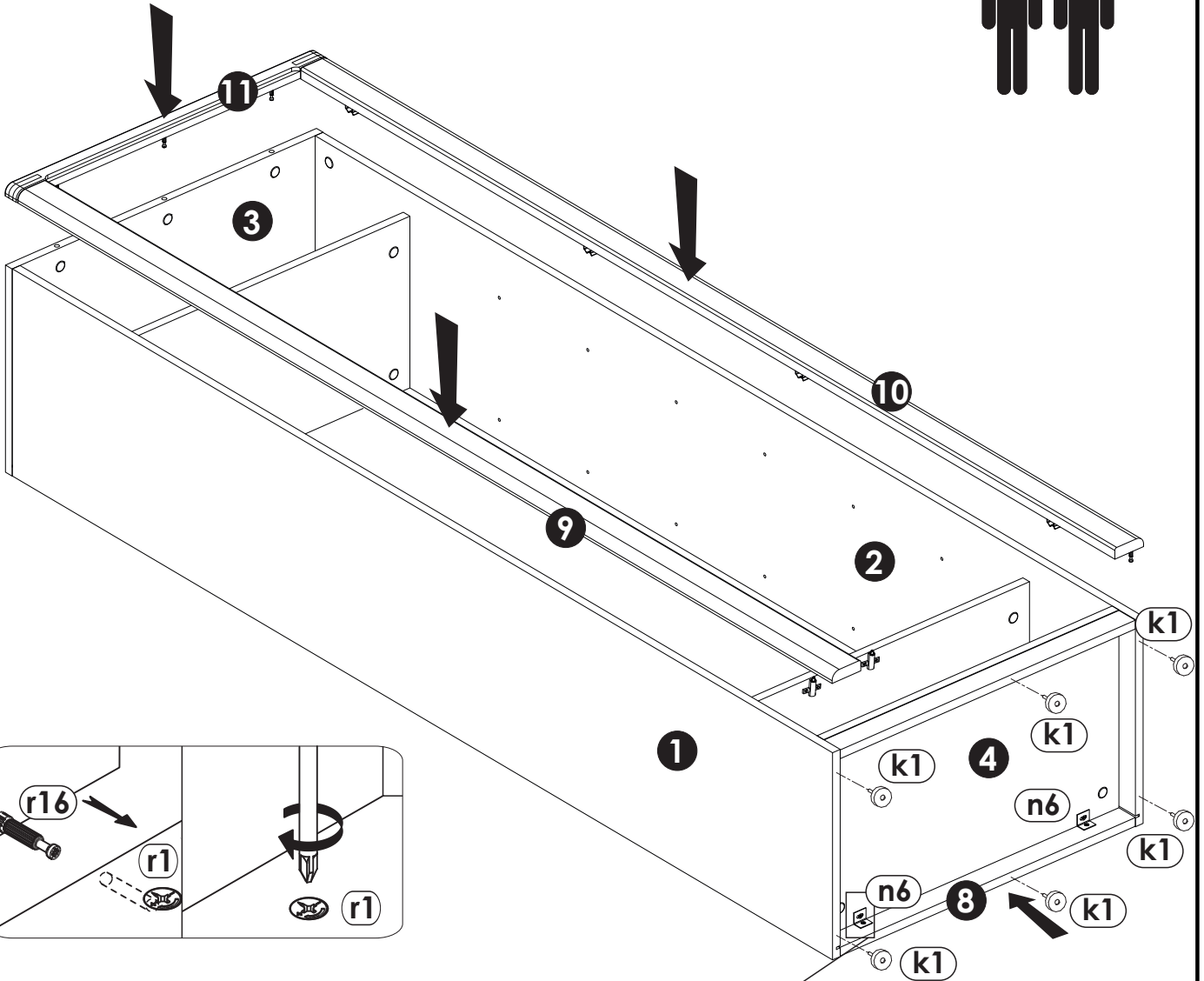
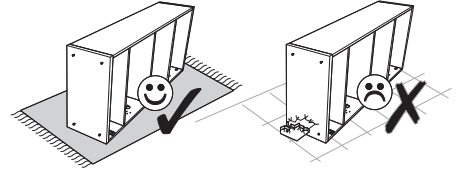


x2

k1

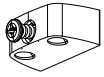


x6



11

n400



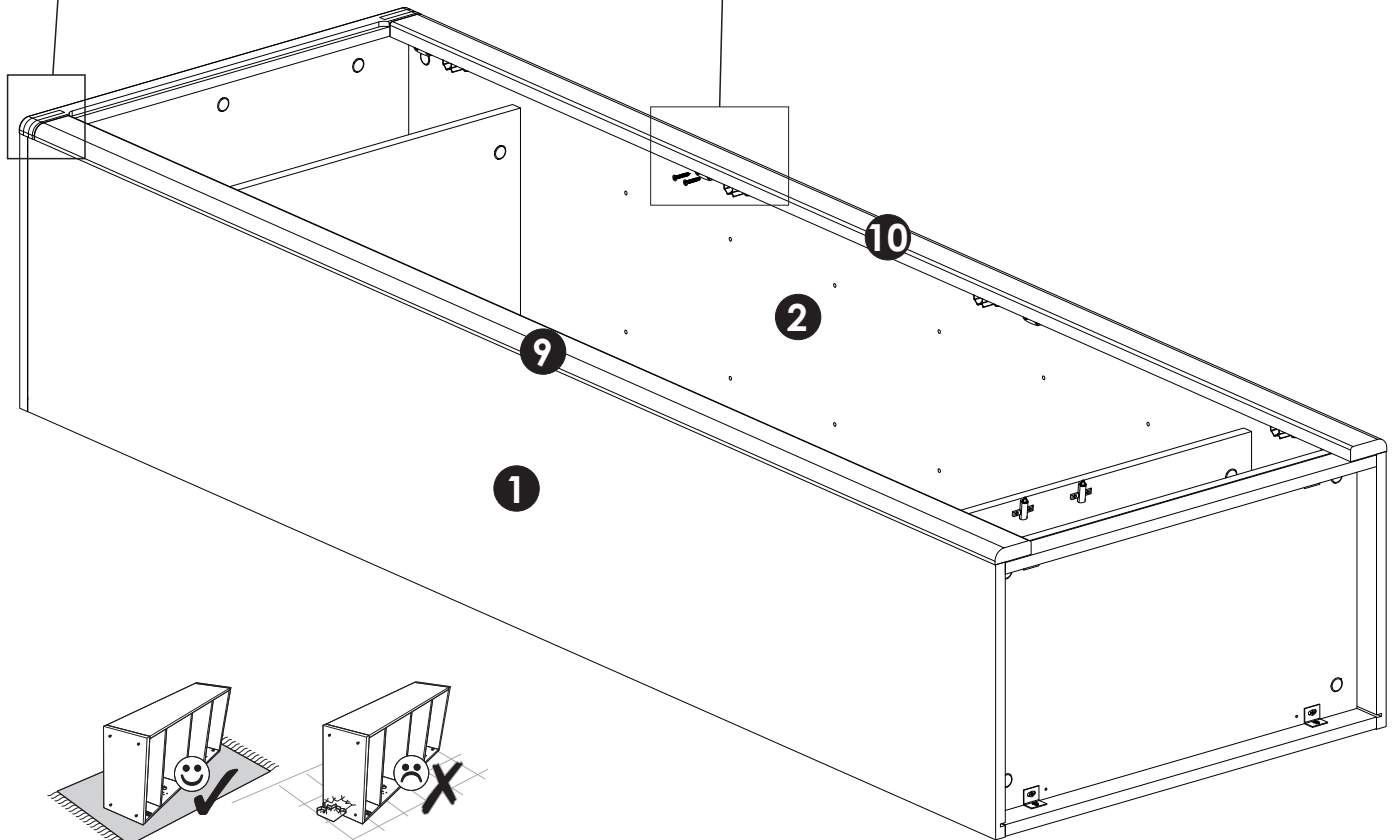
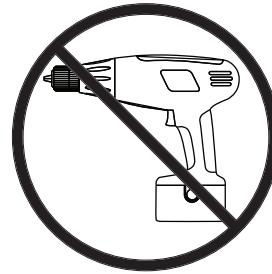
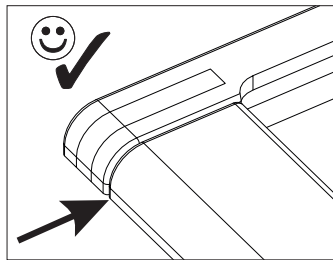
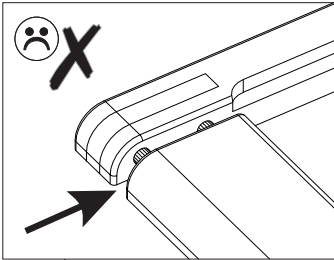
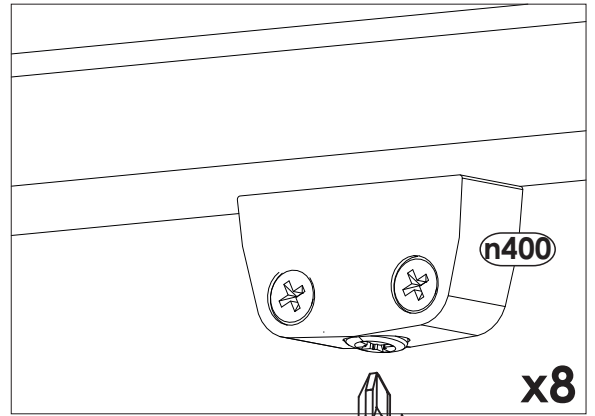
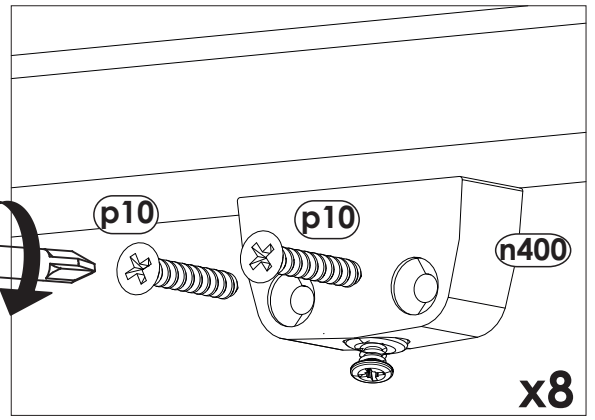
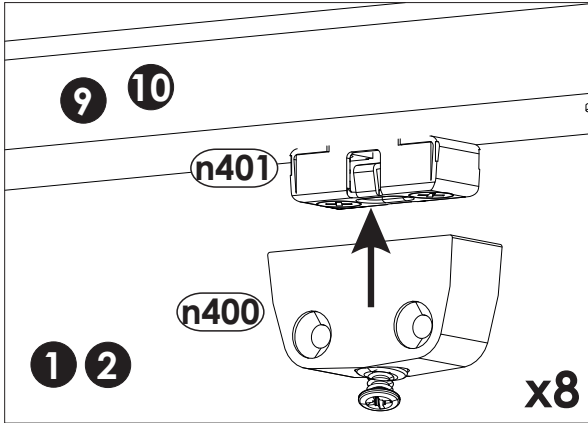
x8

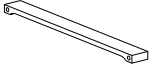


p10

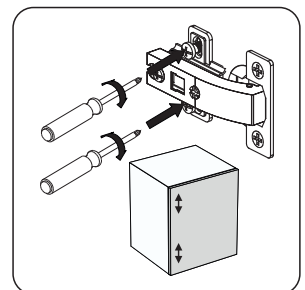
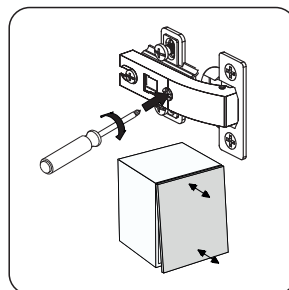
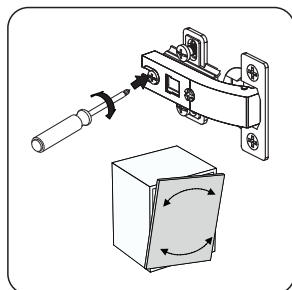
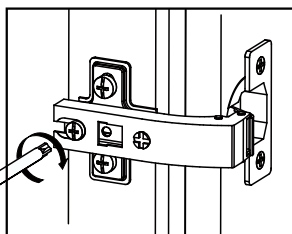
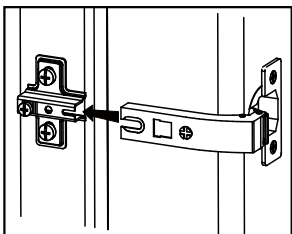
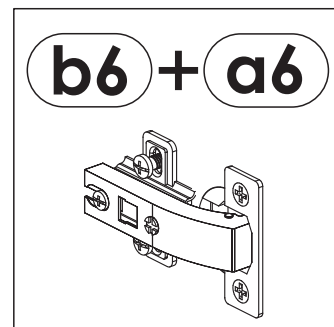
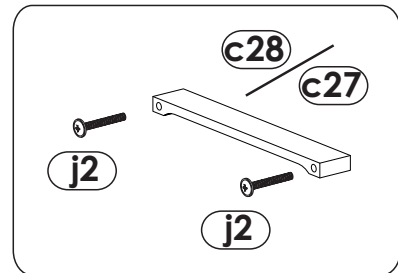
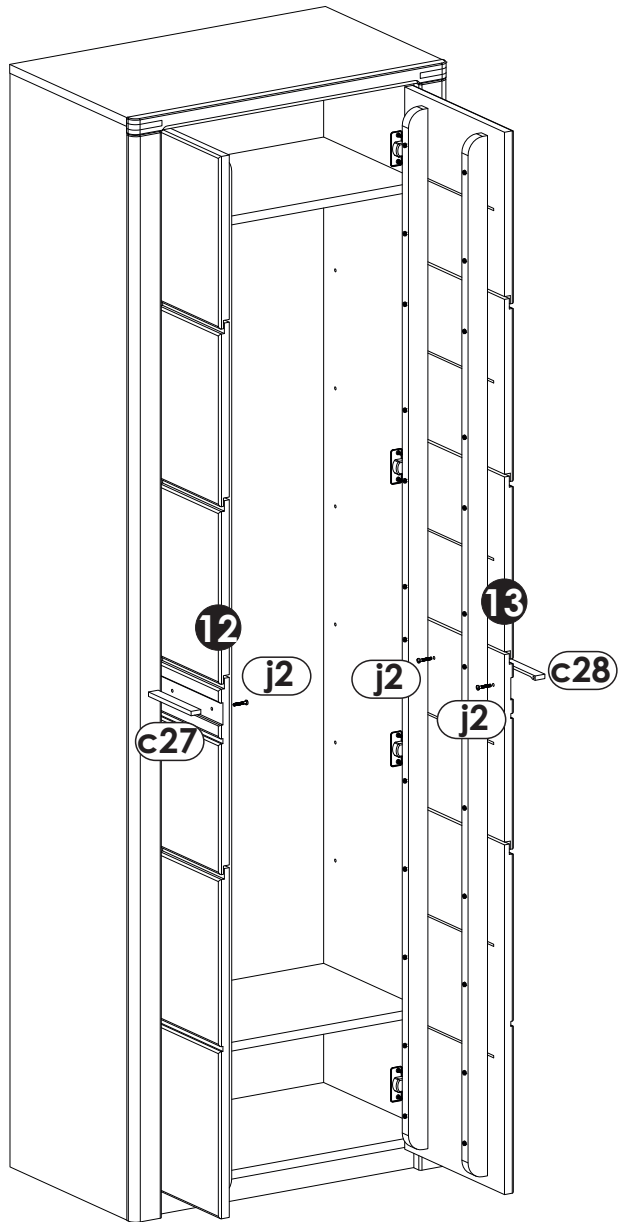


φ3.5x20 mm

x16



12	c28	c27	j2
	 192 mm x1	 128 mm x1	 M4x25 mm x4



Nature One 32 18 FF 02

