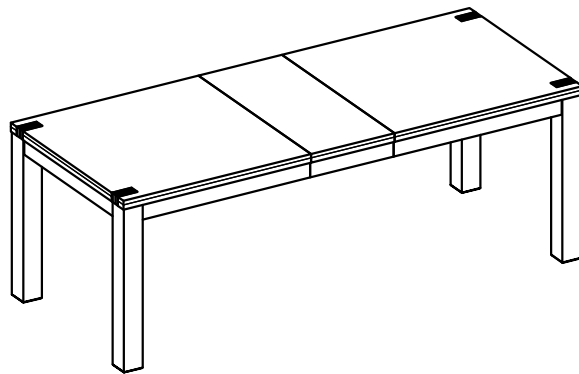
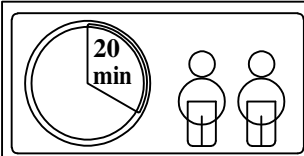
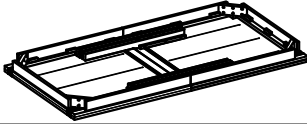

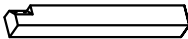






TUNIS

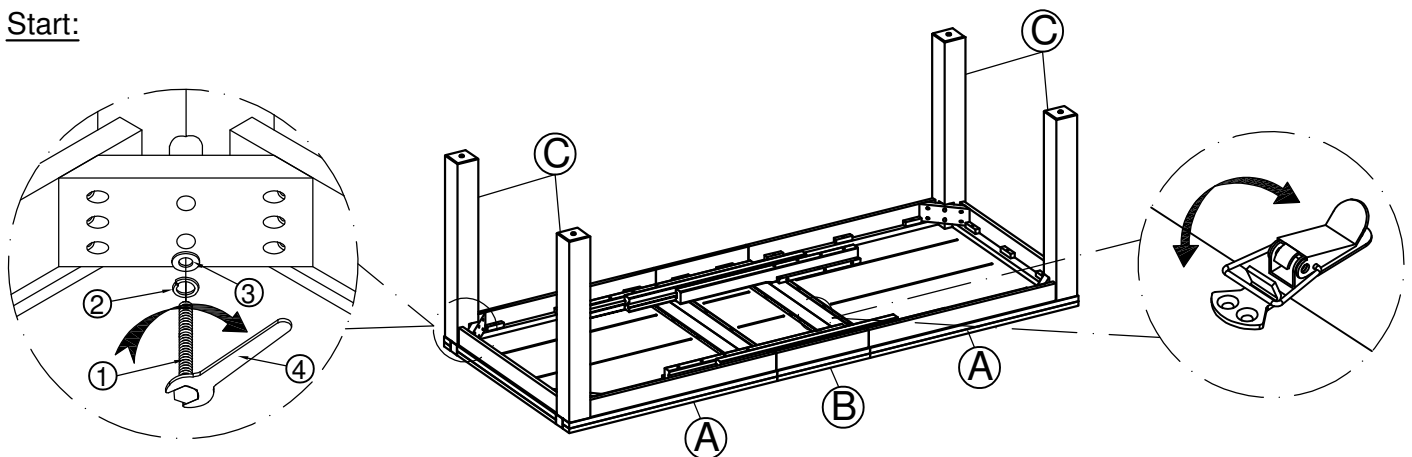
6361/50-180 DINING TABLE WITH EXTENSION



No.	Component	Q'ty
(A)	 Top Frame	1
(B)	 Support Frame	1
(C)	 Legs	4

No.	Hardware list	Q'ty
①	 Bolts M10 x 60 mm	8
②	 Spring Washer M10	8
③	 Flat washers M10	8
④	 Wrenches K17	1

Start:



Finished:

