

# Dieter Knoll

**DKBB2687SK**

---

<b>EN User Manual</b>	2
Fridge Freezer	
<b>DE Benutzerinformation</b>	20
Kühl - Gefrierschrank	
<b>SV Bruksanvisning</b>	41
Kyl-frys	

# CONTENTS

1. SAFETY INFORMATION.....	2
2. SAFETY INSTRUCTIONS.....	4
3. INSTALLATION.....	6
4. CONTROL PANEL.....	8
5. DAILY USE.....	9
6. HINTS AND TIPS.....	11
7. CARE AND CLEANING.....	13
8. TROUBLESHOOTING.....	15
9. NOISES.....	18
10. TECHNICAL DATA.....	18
11. INFORMATION FOR TEST INSTITUTES.....	19
12. ENVIRONMENTAL CONCERNS.....	19

Subject to change without notice.

## 1. ⚠ SAFETY INFORMATION

Before the installation and use of the appliance, carefully read the supplied instructions. The manufacturer is not responsible for any injuries or damage that are the result of incorrect installation or usage. Always keep the instructions in a safe and accessible location for future reference.

### 1.1 Children and vulnerable people safety

- This appliance can be used by children aged from 8 years and above and persons with reduced physical, sensory or mental capabilities or lack of experience and knowledge if they have been given supervision or instruction concerning the use of the appliance in a safe way and understand the hazards involved. Children aged from 3 to 8 years and persons with very extensive and complex disabilities are allowed to load and unload the appliance provided that they have been properly instructed. Children of less than 3 years of age should be kept away from the appliance unless continuously supervised.
- Children should be supervised to ensure that they do not play with the appliance.
- Children shall not carry out cleaning and user maintenance of the appliance without supervision.

## 2 ENGLISH

- Keep all packaging away from children and dispose of it appropriately.

## 1.2 General Safety

- This appliance is for storing food and beverages only.
- This appliance is designed for single household domestic use in an indoor environment.
- This appliance may be used in, offices, hotel guest rooms, bed & breakfast guest rooms, farm guest houses and other similar accommodation where such use does not exceed (average) domestic usage levels.
- To avoid contamination of food respect the following instructions:
  - do not open the door for long periods;
  - clean regularly surfaces that can come in contact with food and accessible drainage systems;
  - store raw meat and fish in suitable containers in the refrigerator, so that it is not in contact with or drip onto other food.
- **WARNING:** Keep ventilation openings, in the appliance enclosure or in the built-in structure, clear of obstruction.
- **WARNING:** Do not use mechanical devices or other means to accelerate the defrosting process, other than those recommended by the manufacturer.
- **WARNING:** Do not damage the refrigerant circuit.
- **WARNING:** Do not use electrical appliances inside the food storage compartments of the appliance, unless they are of the type recommended by the manufacturer.
- Do not use water spray and steam to clean the appliance.
- Clean the appliance with a moist soft cloth. Only use neutral detergents. Do not use abrasive products, abrasive cleaning pads, solvents or metal objects.
- When the appliance is empty for long period, switch it off, defrost, clean, dry and leave the door open to prevent mould from developing within the appliance.
- Do not store explosive substances such as aerosol cans with a flammable propellant in this appliance.

- If the supply cord is damaged, it must be replaced by the manufacturer, its Authorised Service Centre or similarly qualified persons in order to avoid a hazard.

## 2. SAFETY INSTRUCTIONS

### 2.1 Installation

#### **WARNING!**

Only a qualified person must install this appliance.

- Remove all the packaging.
- Do not install or use a damaged appliance.
- Do not use the appliance before installing it in the built-in structure due to safety manner.
- Follow the installation instructions supplied with the appliance.
- Always take care when moving the appliance as it is heavy. Always use safety gloves and enclosed footwear.
- Make sure the air can circulate around the appliance.
- At first installation or after reversing the door wait at least 4 hours before connecting the appliance to the power supply. This is to allow the oil to flow back in the compressor.
- Before carrying out any operations on the appliance (e.g. reversing the door), remove the plug from the power socket.
- Do not install the appliance close to radiators or cookers, ovens, or hobs, unless otherwise specified in the installation instructions.
- Do not expose the appliance to the rain.
- Do not install the appliance where there is direct sunlight.
- Do not install this appliance in areas that are too humid or too cold.
- When you move the appliance, lift it by the front edge to avoid scratching the floor.
- The appliance contains a bag of desiccant. This is not a toy. This is not food. Please dispose of it immediately.

### 2.2 Electrical connection

#### **WARNING!**

Risk of fire and electric shock.

#### **WARNING!**

When positioning the appliance, ensure the supply cord is not trapped or damaged.

#### **WARNING!**

Do not use multi-plug adapters and extension cables.

- The appliance must be earthed.
- Make sure that the parameters on the rating plate are compatible with the electrical ratings of the mains power supply.
- Always use a correctly installed shockproof socket.
- Make sure not to cause damage to the electrical components (e.g. mains plug, mains cable, compressor). Contact the Authorised Service Centre or an electrician to change the electrical components.
- The mains cable must stay below the level of the mains plug.
- Connect the mains plug to the mains socket only at the end of the installation. Make sure that there is access to the mains plug after the installation.
- Do not pull the mains cable to disconnect the appliance. Always pull the mains plug.

### 2.3 Use

#### **WARNING!**

Risk of injury, burns, electric shock or fire.



The appliance contains flammable gas, isobutane (R600a), a natural gas with a high level of environmental compatibility. Be careful not to cause damage to the refrigerant circuit containing isobutane.

- Do not change the specification of this appliance.
- Any use of the built-in product as free-standing is strictly prohibited.
- Do not put electrical appliances (e.g. ice cream makers) in the appliance unless they are stated applicable by the manufacturer.
- If damage occurs to the refrigerant circuit, make sure that there are no flames and sources of ignition in the room. Ventilate the room.
- Do not let hot items to touch the plastic parts of the appliance.
- Do not put soft drinks in the freezer compartment. This will create pressure on the drink container.
- Do not store flammable gas and liquid in the appliance.
- Do not put flammable products or items that are wet with flammable products in, near or on the appliance.
- Do not touch the compressor or the condenser. They are hot.
- Do not remove or touch items from the freezer compartment if your hands are wet or damp.
- Do not freeze again food that has been thawed.
- Follow the storage instructions on the packaging of frozen food.
- Wrap the food in any food contact material before putting it in the freezer compartment.
- Do not allow food to come in contact with the inner walls of the appliance compartments.

## 2.4 Internal lighting



### **WARNING!**

Risk of electric shock.

- This product contains one or more light sources of energy efficiency class G.
- Concerning the lamp(s) inside this product and spare part lamps sold separately: These lamps are intended to withstand

extreme physical conditions in household appliances, such as temperature, vibration, humidity, or are intended to signal information about the operational status of the appliance. They are not intended to be used in other applications and are not suitable for household room illumination.

## 2.5 Care and cleaning



### **WARNING!**

Risk of injury or damage to the appliance.

- Before maintenance, deactivate the appliance and disconnect the mains plug from the mains socket.
- This appliance contains hydrocarbons in the cooling unit. Only a qualified person must do the maintenance and the recharging of the unit.
- Regularly examine the drain of the appliance and if necessary, clean it. If the drain is blocked, defrosted water collects in the bottom of the appliance.

## 2.6 Service

- To repair the appliance contact the Authorised Service Centre. Use original spare parts only.
- Please note that self-repair or non-professional repair can have safety consequences and might void the guarantee.
- The following spare parts will be available for 7 years after the model has been discontinued: thermostats, temperature sensors, printed circuit boards, light sources, door handles, door hinges, trays and baskets. Please note that some of these spare parts are only available to professional repairers, and that not all spare parts are relevant for all models.
- Door gaskets will be available for 10 years after the model has been discontinued.

## 2.7 Disposal



### **WARNING!**

Risk of injury or suffocation.

- Disconnect the appliance from the mains supply.
- Cut off the mains cable and discard it.

- Remove the door to prevent children and pets to be closed inside of the appliance.
- The refrigerant circuit and the insulation materials of this appliance are ozone-friendly.
- The insulation foam contains flammable gas. Contact your municipal authority for

- information on how to discard the appliance correctly.
- Do not cause damage to the part of the cooling unit that is near the heat exchanger.

### 3. INSTALLATION

**⚠ WARNING!**

Refer to Safety chapters.

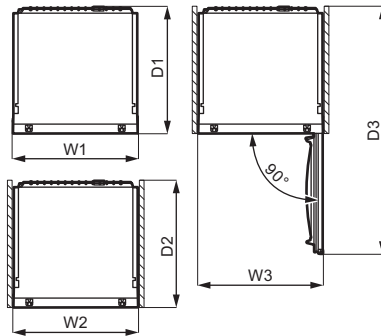
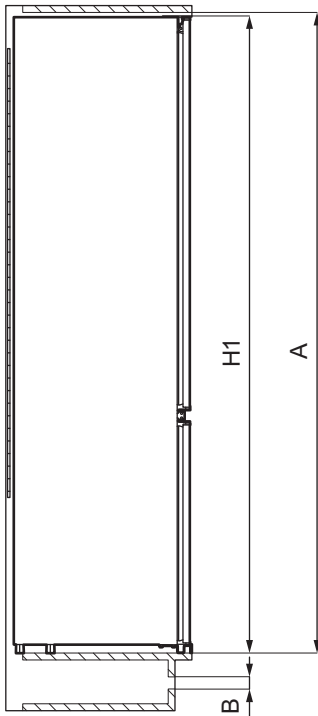
**⚠ WARNING!**

Refer to installation instruction document to install your appliance.

**⚠ WARNING!**

Fix the appliance in accordance with installation instruction document to avoid a risk of instability of the appliance.

#### 3.1 Dimensions



Overall dimensions <sup>1</sup>		
H1	mm	1772
W1	mm	540
D1	mm	549

<sup>1</sup> the height, width and depth of the appliance without the handle

Space required in use <sup>2</sup>		
H2 (A+B)	mm	1816
W2	mm	560
D2	mm	550
A	mm	1780
B	mm	36

<sup>2</sup> the height, width and depth of the appliance including the handle, plus the space necessary for free circulation of the cooling air

Overall space required in use <sup>3</sup>		
H3 (A+B)	mm	1816
W3	mm	550
D3	mm	1068

<sup>3</sup> the height, width and depth of the appliance including the handle, plus the space necessary for free circulation of the cooling air, plus the space necessary to allow door opening to the minimum angle permitting removal of all internal equipment

### 3.2 Location

To ensure appliance's best functionality, you should not install the appliance in a place with direct sunlight. Do not install the appliance close to radiators or cookers, ovens, or hobs, unless otherwise specified in the installation instructions.

Make sure that air can circulate freely around the back of the cabinet.

This appliance should be installed in a dry, well ventilated indoor position.

This appliance is intended to be used at ambient temperature ranging from 10°C to 43°C.

**i** The correct operation of the appliance can only be guaranteed within the specified temperature range.

**i** If you have any doubts regarding where to install the appliance, please turn to the vendor, to our customer service or to the nearest Authorised Service Centre.

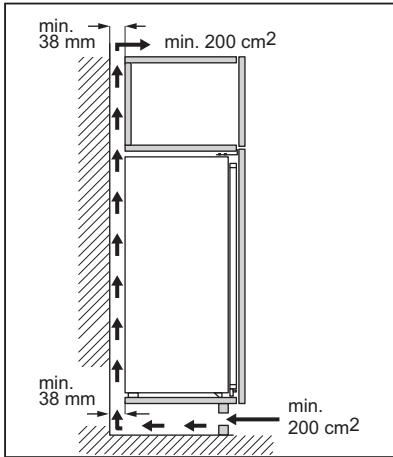
**i** It must be possible to disconnect the appliance from the mains power supply. The plug must therefore be easily accessible after installation.

### 3.3 Electrical connection

- Before plugging in, ensure that the voltage and frequency shown on the rating plate correspond to your domestic power supply.
- The appliance must be earthed. The power supply cable plug is provided with a contact for this purpose. If the domestic power supply socket is not earthed, connect the appliance to a separate earth in compliance with current regulations, consulting a qualified electrician.
- The manufacturer declines all responsibility if the above safety precautions are not observed.

### 3.4 Ventilation requirements

The airflow behind the appliance must be sufficient.



### ⚠ CAUTION!

Refer to the installation instructions for the installation.

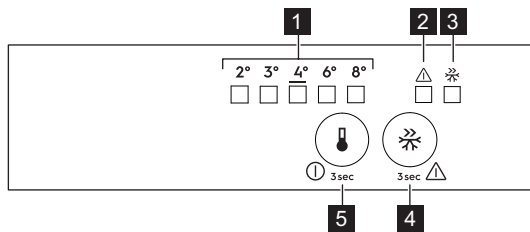
### 3.5 Door reversibility

Please refer to the separate document with instructions on installation and door reversal.

### ⚠ CAUTION!

At every stage of reversing the door protect the floor from scratching with a durable material.

## 4. CONTROL PANEL



- 1 Temperature indicator LED
- 2 Alarm light
- 3 FastFreeze indicator
- 4 FastFreeze button
- 5 Temperature regulator ON/OFF button

### 4.1 Switching on

1. Insert the plug into the wall socket.
2. Touch the temperature regulator button if all LED indicators are off.

### 4.2 Switching off

Keep touching the temperature regulator button for 3 seconds.  
All indicators light off.

### 4.3 Temperature regulation

To operate the appliance, touch the temperature regulator until the LED corresponding to the required temperature lights up. Selection is progressive, varying from 2°C to 8°C. Recommended setting is 4°C.

#### 1. Touch temperature regulator.

Current temperature indicator blinks. Any time you touch the temperature regulator, the setting moves by one position. The corresponding LED blinks for a while.

2. Touch the temperature regulator until the required temperature is selected.

**i** The set temperature will be reached within 24 hours. After a power failure the set temperature remains stored.



## 4.4 FastFreeze function

The FastFreeze function is used to perform pre-freezing and fast freezing in sequence in the freezer compartment. This function accelerates the freezing of fresh food and, at the same time, protects food products already stored in the freezer compartment from undesirable warming.

**i** To freeze fresh food activate the FastFreeze function at least 24 hours before placing the food to complete pre-freezing.

To activate FastFreeze function press the FastFreeze button. The FastFreeze indicator switches on.

**i** This function stops automatically after 52 hours.

It is possible to deactivate the function at any time by pressing FastFreeze button again. The FastFreeze indicator switches off.

## 4.5 Door open alarm

If the fridge door is left open for approximately 5 minutes, the alarm light flashes and the sound is on.

During the alarm the sound can be muted by pressing any button. The sound switches off automatically after around one hour to avoid disturbing.

The alarm deactivates after closing the door.

## 4.6 High temperature alarm

When there is a temperature increase in the freezer compartment (for example due to an earlier power failure), the alarm light flashes and the sound is on.

To deactivate the sound press any button.

The alarm light continues to flash until the normal conditions are restored.

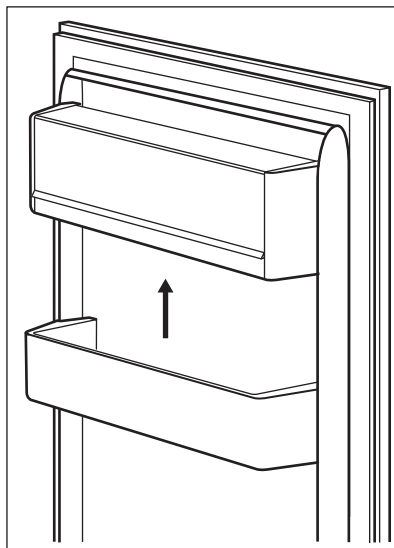
If you do not press any button, the sound switches off automatically after around one hour to avoid disturbing.

# 5. DAILY USE

## 5.1 Positioning the door shelves

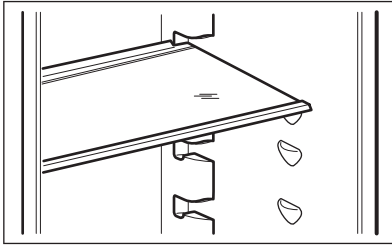
To permit storage of food packages of various sizes, the door shelves can be placed at different heights.

1. Gradually pull the shelf up until it comes free.
2. Reposition as required.



## 5.2 Movable shelves

The walls of the refrigerator are equipped with a series of runners so that the shelves can be positioned as desired.



**i** Do not move the glass shelf above the vegetable drawer to ensure correct air circulation.

## 5.3 Vegetable drawers

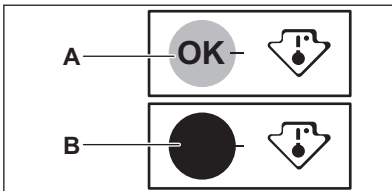
There are special drawers in the bottom part of the appliance suitable for storage of fruits and vegetables.

## 5.4 Temperature indicator

For proper storage of food the refrigerator is equipped with the temperature indicator. The symbol on the side wall of the appliance indicates the coldest area in the refrigerator.

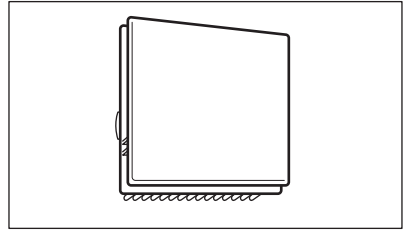
If OK is displayed (A), put fresh food into area indicated by symbol, if not (B), wait at least 12 hours and check if it is OK (A).

If it is still not OK (B), adjust the setting control to a colder setting.



## 5.5 Fan

The refrigerator compartment is equipped with a device that allows rapid cooling of foods and keeps more uniform temperature in the compartment.



This device activates automatically when needed.

**i** The fan operates only when the door is closed.

**i** Do not remove the cover of the fan.

## 5.6 Freezing fresh food

The freezer compartment is suitable for freezing fresh food and storing frozen and deep-frozen food for a long time.

To freeze fresh food activate the FastFreeze function at least 24 hours before placing the food to be frozen in the freezer compartment.

Store the fresh food evenly distributed in the first compartment or drawer from the top.

The maximum amount of food that can be frozen without adding other fresh food during 24 hours is specified on the rating plate (a label located inside the appliance).

When the freezing process is complete, the appliance automatically returns to the previous temperature setting (see "FastFreeze function").

**i** In this condition, the temperature inside the refrigerator might change slightly.

For more information refer to "Hints for freezing".

## 5.7 Storage of frozen food

When activating an appliance for the first time or after a period out of use, before putting the products in the compartment let the appliance run at least 3 hours with the FastFreeze function switched on.

The freezer drawers ensure that it is quick and easy to find the food package you want.

If large quantities of food are to be stored, remove all drawers and place the food on shelves.

Keep the food no closer than 15 mm from the door.

### **CAUTION!**

In the event of accidental defrosting, for example due to a power failure, if the power has been off for longer than the value shown on rating plate under "rising time", the defrosted food must be consumed quickly or cooked immediately then cooled and then re-frozen. Refer to "High temperature alarm".


## 5.8 Thawing

Deep-frozen or frozen food, prior to being consumed, can be thawed in the refrigerator or inside a plastic bag under cold water.

This operation depends on the time available and on the type of food. Small pieces may even be cooked still frozen.

## 5.9 Ice-cube production

This appliance is equipped with one or more trays for the production of ice-cubes.

 Do not use metallic instruments to remove the trays from the freezer.

1. Fill these trays with water.
2. Put the ice trays in the freezer compartment.

# 6. HINTS AND TIPS

## 6.1 Hints for energy saving

- Freezer: The internal configuration of the appliance is the one that ensures the most efficient use of energy.
- Fridge: Most efficient use of energy is ensured in the configuration with the drawers in the bottom part of the appliance and shelves evenly distributed. Position of the door bins does not affect energy consumption.
- Do not open the door frequently or leave it open longer than necessary.
- Freezer: The colder the temperature setting, the higher the energy consumption.
- Fridge: Do not set too high temperature to save energy unless it is required by the characteristics of the food.
- If the ambient temperature is high and the temperature control is set to low temperature and the appliance is fully loaded, the compressor may run continuously, causing frost or ice formation on the evaporator. In this case, set the temperature control toward higher

temperature to allow automatic defrosting and to save energy this way.

- Ensure a good ventilation. Do not cover the ventilation grilles or holes.

## 6.2 Hints for freezing

- Activate FastFreeze function at least 24 hours before placing the food inside the freezer compartment.
- Before freezing wrap and seal fresh food in: aluminium foil, plastic film or bags, airtight containers with lid.
- For more efficient freezing and thawing divide food into small portions.
- It is recommended to put labels and dates on all your frozen food. This will help to identify foods and to know when they should be used before their deterioration.
- The food should be fresh when being frozen to preserve good quality. Especially fruits and vegetables should be frozen after the harvest to preserve all of their nutrients.
- Do not freeze bottles or cans with liquids, in particular drinks containing carbon

dioxide - they may explode during freezing.

- Do not put hot food in the freezer compartment. Cool it down at room temperature before placing it inside the compartment.
- To avoid increase in temperature of already frozen food, do not place fresh unfrozen food directly next to it. Place food at room temperature in the part of the freezer compartment where there is no frozen food.
- Do not eat ice cubes, water ices or ice lollies immediately after taking them out of the freezer. Risk of frostbites.
- Do not re-freeze defrosted food. If the food has defrosted, cook it, cool it down and then freeze it.

### 6.3 Hints for storage of frozen food

- Freezer compartment is the one marked with ❄️ ❄️❄️.
- The medium temperature setting ensures good preservation of frozen food products. Higher temperature setting inside the appliance may lead to shorter shelf life.
- The whole freezer compartment is suitable for storage of frozen food products.

### 6.5 Shelf life for freezer compartment

Type of food	Shelf life (months)
Bread	3
Fruits (except citrus)	6 - 12
Vegetables	8 - 10
Leftovers without meat	1 - 2
<b>Dairy food:</b>	
Butter	6 - 9
Soft cheese (e.g. mozzarella)	3 - 4
Hard cheese (e.g. parmesan, cheddar)	6
<b>Seafood:</b>	
Fatty fish (e.g. salmon, mackerel)	2 - 3
Lean fish (e.g. cod, flounder)	4 - 6
Shrimps	12
Shucked clams and mussels	3 - 4
Cooked fish	1 - 2

- Leave enough space around the food to allow air to circulate freely.
- For adequate storage refer to food packaging label to see the shelf life of food.
- It is important to wrap the food in such a way that prevents water, humidity or condensation from getting inside.

### 6.4 Shopping tips

After grocery shopping:


- Ensure that the packaging is not damaged - the food could be deteriorated. If the package is swollen or wet, it might have not been stored in the optimal conditions and defrosting may have already started.
- To limit the defrosting process buy frozen goods at the end of your grocery shopping and transport them in a thermal and insulated cool bag.
- Place the frozen foods immediately in the freezer after coming back from the shop.
- If food has defrosted even partially, do not re-freeze it. Consume it as soon as possible.
- Respect the expiry date and the storage information on the package.

Type of food	Shelf life (months)
<b>Meat:</b>	
Poultry	9 - 12
Beef	6 - 12
Pork	4 - 6
Lamb	6 - 9
Sausage	1 - 2
Ham	1 - 2
Leftovers with meat	2 - 3

## 6.6 Hints for fresh food refrigeration

- Good temperature setting that ensures preservation of fresh food is a temperature less than or equal to +4°C. Higher temperature setting inside the appliance may lead to shorter shelf life of food.
- Cover the food with packaging to preserve its freshness and aroma.
- Always use closed containers for liquids and for food, to avoid flavours or odours in the compartment.
- To avoid the cross-contamination between cooked and raw food, cover the cooked food and separate it from the raw one.
- It is recommended to defrost the food inside the fridge.
- Do not insert hot food inside the appliance. Make sure it has cooled down at room temperature before inserting it.
- To prevent food waste the new stock of food should always be placed behind the old one.

## 6.7 Hints for food refrigeration

- Fresh food compartment is the one marked (on the rating plate) with .

- Meat (all types): wrap in a suitable packaging and place it on the glass shelf above the vegetable drawer. Store meat for at most 1-2 days.
- Fruit and vegetables: clean thoroughly (eliminate the soil) and place in a special drawer (vegetable drawer).
- It is advisable not to keep the exotic fruits like bananas, mangos, papayas etc. in the refrigerator.
- Vegetables like tomatoes, potatoes, onions, and garlic should not be kept in the refrigerator.
- Butter and cheese: place in an airtight container or wrap in an aluminium foil or a polythene bag to exclude as much air as possible.
- Bottles: close them with a cap and place them on the door bottle shelf, or (if available) on the bottle rack.
- Always refer to the expiry date of the products to know how long to keep them.

# 7. CARE AND CLEANING

## **WARNING!**

Refer to Safety chapters.

## 7.1 Cleaning the interior

Before using the appliance for the first time, the interior and all internal accessories should

be washed with lukewarm water and some neutral soap to remove the typical smell of a brand-new product, then dried thoroughly.

**⚠ CAUTION!**

Do not use detergents, abrasive powders, chlorine or oil-based cleaners as they will damage the finish.

**⚠ CAUTION!**

The accessories and parts of the appliance are not suitable for washing in a dishwasher.

## 7.2 Periodic cleaning

The equipment has to be cleaned regularly:

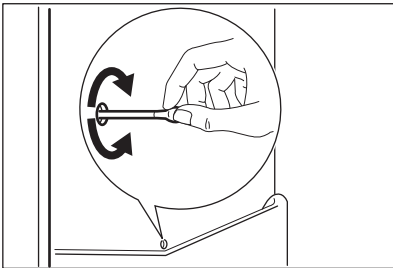
1. Clean the inside and accessories with lukewarm water and some neutral soap.
2. Regularly check the door seals and wipe them clean to ensure they are clean and free from debris.
3. Rinse and dry thoroughly.

## 7.3 Defrosting of the refrigerator

Frost is automatically eliminated from the evaporator of the refrigerator compartment during normal use. The defrost water drains out through a trough into a special container at the back of the appliance, over the motor compressor, where it evaporates.

It is important to periodically clean the defrost water drain hole in the middle of the refrigerator compartment channel to prevent the water overflowing and dripping onto the food inside.

For this purpose use the tube cleaner provided with the appliance.



## 7.4 Defrosting of the freezer

**⚠ CAUTION!**

Never use sharp metal tools to scrape off frost from the evaporator as you could damage it.

Do not use a mechanical device or any artificial means to speed up the thawing process other than those recommended by the manufacturer.

Do not use the supplied ice scraper to prepare food.

- i** About 12 hours prior to defrosting set a lower temperature in order to build up sufficient chill reserve in case of any interruption in operation.

A certain amount of frost will always form on the freezer shelves and around the top compartment.

Defrost the freezer when the frost layer reaches a thickness of about 3-5 mm.

1. Switch off the appliance or pull out electrical plug from the wall socket.
2. Remove any stored food and put it in a cool place.

**⚠ CAUTION!**

A temperature rise of the frozen food packs during defrosting may shorten their safe storage life.

Do not touch frozen goods with wet hands. Hands can freeze to the goods.

3. Leave the door open. Protect the floor from the defrosting water e.g. with a cloth or a flat vessel.
4. In order to speed up the defrosting process, place a pot of warm water in the freezer compartment. In addition, remove pieces of ice that break away before defrosting is complete. Use the supplied ice scraper for this purpose.
5. When defrosting is complete, dry the interior thoroughly. Keep the ice scraper for the future use.
6. Switch on the appliance and close the door.
7. Set the temperature regulator to obtain the maximum coldness and run the

appliance for at least 3 hours using this setting.

Only after this time put the food back into the freezer compartment.

## 7.5 Period of non-operation

When the appliance is not in use for long period, take the following precautions:

1. Disconnect the appliance from electricity supply.
2. Remove all food.
3. Defrost the appliance.
4. Clean the appliance and all accessories.
5. Leave the doors open to prevent unpleasant smells.

# 8. TROUBLESHOOTING

## **WARNING!**

Refer to Safety chapters.

### 8.1 What to do if...

Problem	Possible cause	Solution
The appliance does not operate.	The appliance is switched off.	Switch on the appliance.
	The mains plug is not connected to the mains socket correctly.	Connect the mains plug to the mains socket correctly.
	There is no voltage in the mains socket.	Connect a different electrical appliance to the mains socket. Contact a qualified electrician.
The appliance is noisy.	The appliance is not supported properly.	Check if the appliance stands stable.
Acoustic or visual alarm is on.	The cabinet has been recently switched on.	Refer to "High temperature alarm" or "Door open alarm".
	The temperature in the appliance is too high.	Refer to "High temperature alarm" or "Door open alarm".
	The door is left open.	Close the door.
The compressor operates continually.	Temperature is set incorrectly.	Refer to "Control panel" chapter.
	Many food products were put in at the same time.	Wait a few hours and then check the temperature again.
	The room temperature is too high.	Refer to "Installation" chapter.
	Food products placed in the appliance were too warm.	Allow food products to cool to room temperature before storing.
	The door is not closed correctly.	Refer to "Closing the door" section.

<b>Problem</b>	<b>Possible cause</b>	<b>Solution</b>
	The FastFreeze function is switched on.	Refer to "FastFreeze function" section.
The compressor does not start immediately after pressing the "FastFreeze", or after changing the temperature.	The compressor starts after a period of time.	This is normal, no error has occurred.
Door is misaligned or interferes with ventilation grill.	The appliance is not levelled.	Refer to installation instructions.
Door does not open easily.	You attempted to re-open the door immediately after closing.	Wait a few seconds between closing and re-opening of the door.
The lamp does not work.	The lamp is in stand-by mode.	Close and open the door.
	The lamp is defective.	Contact the nearest Authorized Service Centre.
There is too much frost and ice.	The door is not closed correctly.	Refer to "Closing the door" section.
	The gasket is deformed or dirty.	Refer to "Closing the door" section.
	Food products are not wrapped properly.	Wrap the food products better.
	Temperature is set incorrectly.	Refer to "Control panel" chapter.
	Appliance is fully loaded and is set to the lowest temperature.	Set a higher temperature. Refer to "Control panel" chapter.
	Temperature set in the appliance is too low and the ambient temperature is too high.	Set a higher temperature. Refer to "Control panel" chapter.
Water flows on the rear plate of the refrigerator.	During the automatic defrosting process, frost melts on the rear plate.	This is correct.
There is too much condensed water on the rear wall of the refrigerator.	Door was opened too frequently.	Open the door only when necessary.
	Door was not closed completely.	Make sure the door is closed completely.
	Stored food was not wrapped.	Wrap food in suitable packaging before storing it in the appliance.



<b>Problem</b>	<b>Possible cause</b>	<b>Solution</b>
Water flows inside the refrigerator.	Food products prevent the water from flowing into the water collector.	Make sure that food products do not touch the rear plate.
	The water outlet is clogged.	Clean the water outlet.
Water flows on the floor.	The melting water outlet is not connected to the evaporative tray above the compressor.	Attach the melting water outlet to the evaporative tray.
Temperature cannot be set.	The FastFreeze function is switched on.	Switch off FastFreeze function manually, or wait until the function deactivates automatically to set the temperature. Refer to "FastFreeze function" section.
The temperature in the appliance is too low/too high.	The temperature is not set correctly.	Set a higher/lower temperature.
	The door is not closed correctly.	Refer to "Closing the door" section.
	The food products' temperature is too high.	Let the food products temperature decrease to room temperature before storage.
	Many food products are stored at the same time.	Store less food products at the same time.
	The thickness of the frost is greater than 4-5 mm.	Defrost the appliance.
	The door has been opened often.	Open the door only if necessary.
	The FastFreeze function is switched on.	Refer to "FastFreeze function" section.
	There is no cold air circulation in the appliance.	Make sure that there is cold air circulation in the appliance. Refer to "Hints and tips" chapter.
	Some specific surfaces inside the fridge compartment are warmer at some times.	
Temperature setting LEDs flash at the same time.	An error has occurred in measuring the temperature.	Contact the nearest Authorised Service Centre. The cooling system will continue to keep food products cold, but temperature adjustment will not be possible.

**i** If the advice does not lead to the desired result, call the nearest Authorized Service Centre.

## 8.2 Replacing the lamp

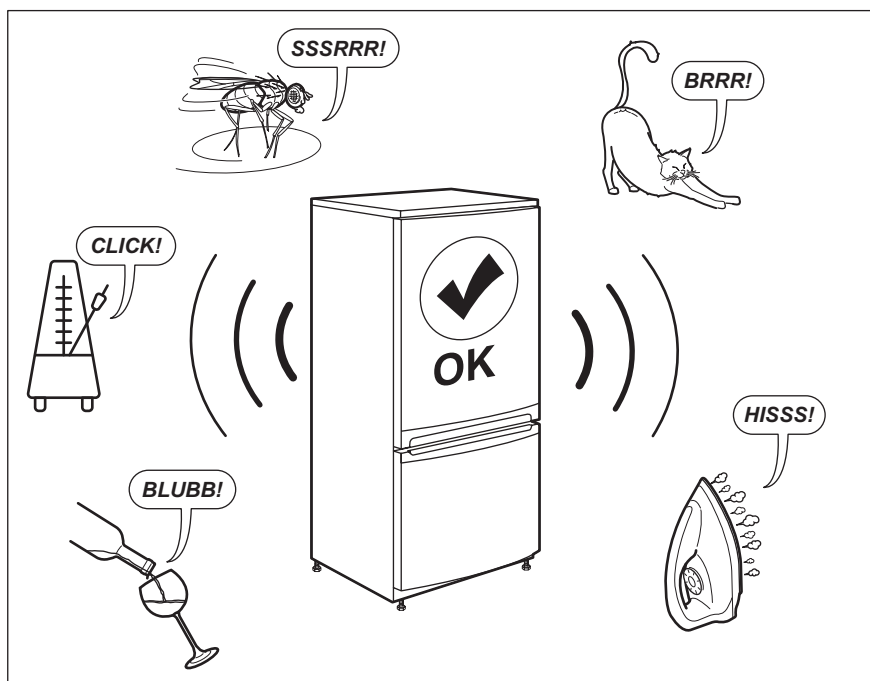
The appliance is equipped with a longlife LED interior light.

Only service is allowed to replace the lighting device. Contact your Authorised Service Centre.

## 8.3 Closing the door

1. Clean the door gaskets.
2. If necessary, adjust the door. Refer to installation instructions.
3. If necessary, replace the defective door gaskets. Contact the Authorised Service Centre.

# 9. NOISES



# 10. TECHNICAL DATA

The technical information is situated in the rating plate on the internal side of the appliance and on the energy label.

The QR code on the energy label supplied with the appliance provides a web link to the information related to the performance of the

appliance in the EU EPREL database. Keep the energy label for reference together with the user manual and all other documents provided with this appliance.

It is also possible to find the same information in EPREL using the link

<https://eprel.ec.europa.eu> and the model name and product number that you find on the rating plate of the appliance.


See the link [www.theenergylabel.eu](http://www.theenergylabel.eu) for detailed information about the energy label.


## 11. INFORMATION FOR TEST INSTITUTES

Installation and preparation of the appliance for any EcoDesign verification shall be compliant with EN 62552 (EU). Ventilation requirements, recess dimensions and minimum rear clearances shall be as stated

in this User Manual in "Installation". Please contact the manufacturer for any other further information, including loading plans.

## 12. ENVIRONMENTAL CONCERNS

Recycle materials with the symbol . Put the packaging in relevant containers to recycle it. Help protect the environment and human health by recycling waste of electrical and electronic appliances. Do not dispose of

appliances marked with the symbol  with the household waste. Return the product to your local recycling facility or contact your municipal office.

# INHALTSVERZEICHNIS

1. SICHERHEITSHINWEISE.....	20
2. SICHERHEITSANWEISUNGEN.....	22
3. MONTAGE.....	24
4. BEDIENFELD.....	27
5. TÄGLICHER GEBRAUCH.....	28
6. TIPPS UND HINWEISE.....	30
7. REINIGUNG UND PFLEGE.....	33
8. PROBLEMBEHEBUNG.....	34
9. GERÄUSCHE.....	38
10. TECHNISCHE DATEN.....	38
11. INFORMATIONEN FÜR PRÜFINSTITUTE.....	38
12. INFORMATIONEN ZUR ENTSORGUNG.....	39

Änderungen vorbehalten.

## 1. ⚠ SICHERHEITSHINWEISE

Lesen Sie vor der Montage und dem Gebrauch des Geräts zuerst die Bedienungsanleitung. Bei Verletzungen oder Schäden infolge nicht ordnungsgemäßer Montage oder Verwendung übernimmt der Hersteller keine Haftung. Bewahren Sie die Anleitung zum Nachschlagen an einem sicheren und zugänglichen Ort auf.

### 1.1 Sicherheit von Kindern und schutzbedürftigen Personen

- Das Gerät kann von Kindern ab 8 Jahren und Personen mit eingeschränkten physischen, sensorischen oder geistigen Fähigkeiten oder mit mangelnder Erfahrung / mangelndem Wissen benutzt werden, wenn sie durch eine für ihre Sicherheit zuständige Person beaufsichtigt werden oder von dieser Person Anweisungen erhalten haben, wie das Gerät sicher zu bedienen ist und welche Gefahren bei nicht ordnungsgemäßer Bedienung bestehen. Kinder im Alter von 3 bis 8 Jahren und Personen mit sehr umfangreichen und komplexen Behinderungen dürfen das Gerät unter der Voraussetzung, dass sie ordnungsgemäß angewiesen wurden, ein- und ausladen. Halte Kinder unter 3 Jahren

vom Gerät fern, wenn sie nicht ständig beaufsichtigt werden.

- Kinder sollten beaufsichtigt werden, um sicherzustellen, dass sie nicht mit dem Gerät spielen.
- Kinder dürfen keine Reinigung und Wartung des Geräts ohne Beaufsichtigung durchführen.
- Halten Sie sämtliches Verpackungsmaterial von Kindern fern und entsorgen Sie es ordnungsgemäß.

## **1.2 Allgemeine Sicherheit**

- Dieses Gerät ist nur für die Aufbewahrung von Lebensmitteln und Getränken bestimmt.
- Dieses Gerät ist für den häuslichen Gebrauch im Haushalt in Innenräumen konzipiert.
- Dieses Gerät darf in Büros, Hotelzimmern, Gästezimmern in Pensionen, Bauernhöfen und anderen ähnlichen Unterkünften verwendet werden, wenn diese Nutzung das (durchschnittliche) Nutzungsniveau im Haushalt nicht überschreitet.
- Um eine Kontaminierung von Lebensmitteln zu vermeiden, beachten Sie die folgenden Hinweise:
  - Öffnen Sie die Tür nicht über längere Zeit hinweg;
  - Reinigen Sie regelmäßig Oberflächen, die mit Lebensmitteln in Kontakt kommen können, und zugängliche Ablaufsysteme;
  - Lagern Sie rohes Fleisch und Fisch in geeigneten Behältern im Kühlschrank, so dass sie nicht mit anderen Lebensmitteln in Berührung kommen oder auf diese tropfen.
- **WARNUNG:** Halten Sie die Lüftungsöffnungen im Gerätegehäuse oder in der Einbaunische frei von Hindernissen.
- **WARNUNG:** Versuchen Sie nicht, den Abtauvorgang durch andere als vom Hersteller empfohlene mechanische oder sonstige Hilfsmittel zu beschleunigen.
- **WARNUNG:** Achten Sie darauf, den Kältekreislauf nicht zu beschädigen.

- **WARNUNG:** Betreiben Sie in den Lebensmittelfächern des Geräts keine anderen als die vom Hersteller empfohlenen Elektrogeräte.
- Reinigen Sie das Gerät nicht mit Wasserspray oder Dampf.
- Reinigen Sie das Gerät mit einem weichen, feuchten Tuch. Verwenden Sie ausschließlich Neutralreiniger. Verwenden Sie keine Scheuermittel, Scheuerschwämme, scharfe Reinigungsmittel oder Metallgegenstände.
- Wenn das Gerät längere Zeit leer steht, schalten Sie es aus, tauen Sie es ab, reinigen und trocknen Sie es und lassen Sie die Tür offen, um Schimmelbildung im Gerät zu vermeiden.
- Bewahren Sie keine explosiven Substanzen wie Aerosoldosen mit brennbarem Treibgas in diesem Gerät auf.
- Wenn das Netzkabel beschädigt ist, muss es vom Hersteller, einem autorisierten Kundendienst oder einer ähnlich qualifizierten Person zur Vermeidung einer Gefahrenquelle ersetzt werden.

## 2. SICHERHEITSANWEISUNGEN

### 2.1 Montage

#### **WARNUNG!**

Nur eine qualifizierte Fachkraft darf die Montage des Geräts vornehmen.

- Entfernen Sie das gesamte Verpackungsmaterial.
- Montieren Sie ein beschädigtes Gerät nicht und benutzen Sie es nicht.
- Verwenden Sie das Gerät aus Sicherheitsgründen nicht, bevor es in den Einbauschrank gesetzt wird.
- Halten Sie sich an die mitgelieferte Montageanleitung.
- Seien Sie beim Umsetzen des Gerätes vorsichtig, da es sehr schwer ist. Tragen Sie stets Sicherheitshandschuhe und festes Schuhwerk.
- Stellen Sie sicher, dass die Luft um das Gerät zirkulieren kann.
- Warten Sie nach der Montage oder dem Wechsel des Türanschlags mindestens 4

Stunden, bevor Sie das Gerät an die Stromversorgung anschließen. So kann das Öl in den Kompressor zurückfließen.

- Ziehen Sie den Stecker aus der Steckdose, bevor Sie am Gerät arbeiten (z.B. Wechsel des Türanschlags).
- Stellen Sie das Gerät nicht in der Nähe von Heizkörpern oder Herden, Backöfen oder Kochfeldern auf, es sei denn, in der Installationsanleitung ist etwas anderes angegeben.
- Setzen Sie das Gerät nicht dem Regen aus.
- Installieren Sie das Gerät nicht an einem Ort mit direkter Sonneneinstrahlung.
- Stellen Sie dieses Gerät nicht in Bereichen auf, die zu feucht oder kalt sind.
- Wenn Sie das Gerät verschieben, heben Sie es an der Vorderkante an, um den Fußboden nicht zu verkratzen.
- Das Gerät enthält einen Beutel mit Trockenmittel. Dieser Beutel ist kein Spielzeug. Dieser Beutel ist kein

Lebensmittel. Bitte entsorgen Sie ihn umgehend.

## 2.2 Elektrischer Anschluss

### **WARNUNG!**

Brand- und Stromschlaggefahr.

### **WARNUNG!**

Achten Sie bei der Montage des Geräts darauf, dass das Netzkabel nicht eingeklemmt oder beschädigt wird.

### **WARNUNG!**

Verwenden Sie keine Mehrfachsteckdosen und Verlängerungskabel.

- Das Gerät muss geerdet sein.
- Stellen Sie sicher, dass die Daten auf dem Typenschild mit den elektrischen Nennwerten der Netzspannung übereinstimmen.
- Schließen Sie das Gerät nur an eine ordnungsgemäß installierte Schutzkontaktsteckdose an.
- Achten Sie darauf, die elektrischen Bauteile nicht zu beschädigen (z. B. Netzstecker, Netzkabel, Kompressor). Wenden Sie sich zum Austausch elektrischer Bauteile an das autorisierte Service-Zentrum oder einen Elektriker.
- Das Netzkabel muss unterhalb des Netzsteckers liegen.
- Stecken Sie den Netzstecker erst nach Abschluss der Montage in die Steckdose. Stellen Sie sicher, dass der Netzstecker nach der Montage noch zugänglich ist.
- Ziehen Sie nicht am Netzkabel, wenn Sie das Gerät von der Stromversorgung trennen möchten. Ziehen Sie stets am Netzstecker.

## 2.3 Gebrauch

### **WARNUNG!**

Es besteht Verletzungs-, Verbrennungs-, Stromschlag- oder Brandgefahr.



Das Gerät enthält Isobutan (R600a), ein brennbares Erdgas mit einem hohen Grad

an Umweltverträglichkeit. Achte darauf, den Kältekreislauf, der Isobutan enthält, nicht zu beschädigen.

- Nehmen Sie keine technischen Änderungen am Gerät vor.
- Jegliche Verwendung des eingebauten Produkts als freistehendes Produkt ist strengstens untersagt.
- Stelle keine elektrischen Geräte (z. B. Eisbereiter) in das Gerät, wenn solche Geräte nicht ausdrücklich vom Hersteller für diesen Zweck zugelassen sind.
- Wird der Kältekreislauf beschädigt, stelle bitte sicher, dass keine Flammen und Zündquellen im Raum vorhanden sind. Lüfte den Raum.
- Achte darauf, dass keine heißen Gegenstände auf die Kunststoffteile des Geräts gelangen.
- Gib keine Softdrinks in das Gefrierfach. Dadurch entsteht Druck auf den Getränkebehälter.
- Lagere keine brennbaren Gase und Flüssigkeiten im Gerät.
- Platziere keine entflammaren Produkte oder Gegenstände, die mit entflammaren Produkten benetzt sind, im Gerät, auf dem Gerät oder in der Nähe des Geräts.
- Berühre nicht den Kompressor oder den Kondensator. Diese sind heiß.
- Nimm keine Gegenstände aus dem Gefrierfach und berühre diese nicht, falls deine Hände nass oder feucht sind.
- Friere aufgetaute Lebensmittel nicht wieder ein.
- Befolge die Hinweise auf der Verpackung zur Aufbewahrung tiefgekühlter Lebensmittel.
- Wickele die Lebensmittel in Lebensmittelkontaktmaterial ein, bevor Du sie in das Gefrierfach legst.
- Achte darauf, dass keine Lebensmittel mit den Innenwänden der Gerätefächer in Berührung kommen.

## 2.4 Innenbeleuchtung

### **WARNUNG!**

Stromschlaggefahr.

- Dieses Produkt enthält eine oder mehrere Lichtquellen der Energieeffizienzklasse G.
- Bezüglich der Lampe(n) in diesem Gerät und separat verkaufter Ersatzlampen:

Diese Lampen müssen extremen physikalischen Bedingungen in Haushaltsgeräten standhalten, wie z.B. Temperatur, Vibration, Feuchtigkeit, oder sollen Informationen über den Betriebszustand des Gerätes anzeigen. Sie sind nicht für den Einsatz in anderen Geräten vorgesehen und nicht für die Raumbeleuchtung geeignet.

## 2.5 Reinigung und Pflege

### **WARNUNG!**

Andernfalls besteht Verletzungsgefahr und das Gerät könnte beschädigt werden.

- Schalten Sie das Gerät immer aus und ziehen Sie den Netzstecker aus der Steckdose, bevor Reinigungsarbeiten durchgeführt werden.
- Der Kältekreis des Gerätes enthält Kohlenwasserstoffe. Das Gerät muss von einer qualifizierten Fachkraft gewartet und nachgefüllt werden.
- Prüfen Sie regelmäßig den Wasserabfluss des Geräts und reinigen Sie ihn gegebenenfalls. Bei verstopftem Wasserabfluss sammelt sich das Abtauwasser am Boden des Geräts an.

## 2.6 Wartung

- Wenden Sie sich zur Reparatur des Geräts an den autorisierten Kundendienst. Dabei dürfen ausschließlich Originalersatzteile verwendet werden.
- Bitte beachten Sie, dass eigene Reparaturen oder Reparaturen, die nicht von Fachkräften durchgeführt werden, die

Sicherheit des Geräts beeinträchtigen und zum Erlöschen der Garantie führen können.

- Die folgenden Ersatzteile werden auch nach dem Auslauf des Modells 7 Jahre lang vorgehalten: Thermostate, Temperatursensoren, Platinen, Lichtquellen, Lichtquellen, Türscharniere, Backbleche und Körbe. Bitte beachten Sie, dass einige dieser Ersatzteile nur an Reparaturbetriebe geliefert werden können und nicht alle Ersatzteile für alle Modelle relevant sind.
- Türdichtungen sind innerhalb von 10 Jahren nach Produkteinstellung des Modells erhältlich.

## 2.7 Entsorgung

### **WARNUNG!**

Verletzungs- und Erstickungsgefahr.

- Trennen Sie das Gerät von der Stromversorgung.
- Schneiden Sie das Netzkabel ab, und entsorgen Sie es.
- Entfernen Sie die Tür, um zu verhindern, dass sich Kinder oder Haustiere in dem Gerät einschließen.
- Der Kältekreislauf und die Isolierungsmaterialien dieses Gerätes sind ozonfreundlich.
- Die Isolierung enthält entzündliches Gas. Für Informationen zur korrekten Entsorgung des Gerätes wenden Sie sich an Ihre kommunale Behörde.
- Achten Sie darauf, dass die Kühleinheit in der Nähe des Wärmetauschers nicht beschädigt wird.

## 3. MONTAGE

### **WARNUNG!**

Siehe Kapitel „Sicherheitshinweise“.

### **WARNUNG!**

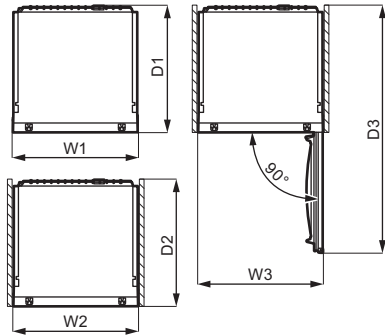
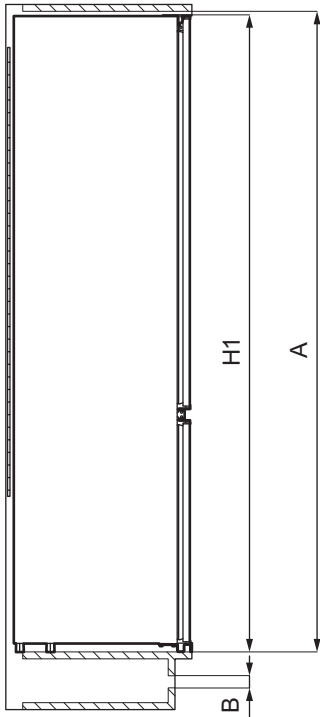
Lesen Sie zur Installation des Geräts die Montageanleitung.

### **WARNUNG!**

Befestigen Sie das Gerät gemäß der Montageanleitung, um das Risiko eines instabilen Geräts zu vermeiden.



### 3.1 Abmessungen



Gesamtabmessungen <sup>1</sup>		
H1	mm	1772
W1	mm	540
D1	mm	549

<sup>1</sup> Höhe, Breite und Tiefe des Geräts ohne Griff

Platzbedarf während des Betriebs <sup>2</sup>		
H2 (A+B)	mm	1816
W2	mm	560
D2	mm	550
A	mm	1780
B	mm	36

<sup>2</sup> Höhe, Breite und Tiefe des Geräts einschließlich Griff und zuzüglich des notwendigen Freiraums für die Zirkulation der Kühlluft

Platzbedarf insgesamt während des Betriebs <sup>3</sup>		
H3 (A+B)	mm	1816
W3	mm	550
D3	mm	1068

<sup>3</sup> Höhe, Breite und Tiefe des Geräts einschließlich Griff plus des notwendigen Freiraums für die Zirkulation der Kühlluft, zuzüglich des Platzes, der notwendig ist, um eine Türöffnung bis zu dem minimalen Winkel zu ermöglichen, der die Entfernung der gesamten Innenausstattung erlaubt

### 3.2 Aufstellungsort

Um die bestmögliche Funktionalität des Geräts zu gewährleisten, sollten Sie das Gerät nicht an einem Ort mit direkter Sonneneinstrahlung aufstellen. Stellen Sie das Gerät nicht in der Nähe von Heizkörpern oder Herden, Backöfen oder Kochfeldern auf, es sei denn, in der Installationsanleitung ist etwas anderes angegeben.

Stellen Sie sicher, dass die Luft frei um die Geräterückseite zirkulieren kann.

Dieses Gerät sollte in einem trockenen, gut belüfteten Innenbereich aufgestellt werden.

Dieses Gerät ist für den Einsatz bei einer Umgebungstemperatur von 10°C bis 43°C vorgesehen.

**i** Der ordnungsgemäße Betrieb des Geräts wird nur innerhalb des angegebenen Temperaturbereichs gewährleistet.

**i** Wenn Sie Zweifel bezüglich der Installation des Geräts haben, wenden Sie sich bitte an den Verkäufer, unseren Kundenservice oder an den nächstgelegenen autorisierten Kundenservice.

**i** Es muss möglich sein, das Gerät vom Netz zu trennen. Daher muss der Stecker nach der Installation zugänglich bleiben.

### 3.3 Elektrischer Anschluss

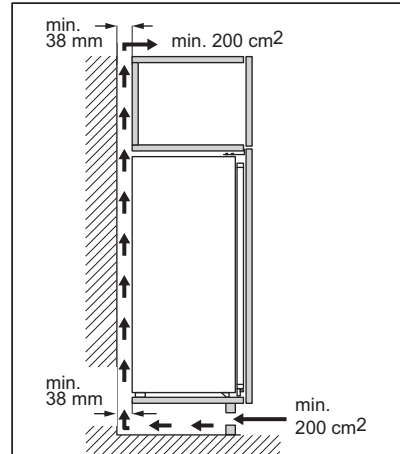
- Stellen Sie vor dem Anschließen sicher, dass die auf dem Typenschild angezeigte Spannung und Frequenz mit Ihrer Hausstromversorgung übereinstimmt.
- Das Gerät muss geerdet sein. Der Netzstecker des Stromkabels ist hierfür mit einem Kontakt versehen. Wenn die Steckdose nicht geerdet ist, schließen Sie das Gerät gemäß den geltenden Vorschriften an eine separate Erdung an

und wenden Sie sich an einen qualifizierten Elektriker.

- Der Hersteller lehnt jegliche Verantwortung ab, wenn die oben genannten Sicherheitsvorkehrungen nicht eingehalten werden.

### 3.4 Anforderungen an die Belüftung

Der Luftstrom hinter dem Gerät muss ausreichend sein.



#### **⚠ VORSICHT!**

Lesen Sie die Montageanleitungen für die Installation.

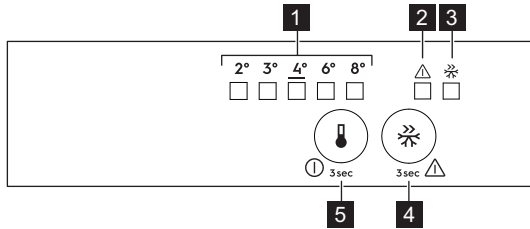
### 3.5 Wechselbare Anschlagseite der Tür

Informationen zu Montage und zum Wechseln des Türanschlags finden Sie in einer separaten Anleitung.

#### **⚠ VORSICHT!**

Wenn Sie den Türanschlag wechseln, schützen Sie den Boden mit einem strapazierfähigen Material vor Kratzern.

## 4. BEDIENFELD



- 1** LED-Temperaturanzeige
- 2** Alarmanzeige
- 3** FastFreeze-Anzeige
- 4** FastFreeze-Taste
- 5** Temperaturregler  
„EIN/AUS“-Taste

### 4.1 Einschalten des Geräts

1. Stecken Sie den Stecker in die Netzsteckdose.
2. Berühren Sie den Temperaturregler, wenn alle LEDs ausgeschaltet sind.

### 4.2 Ausschalten des Geräts

Halten Sie die Taste des Temperaturreglers länger als 3 Sek. gedrückt.

Alle Anzeigen erlöschen.

### 4.3 Temperaturregelung

Zur Inbetriebnahme des Geräts berühren Sie den Temperaturregler, bis die LED der gewünschten Temperatur aufleuchtet. Die Wahl erfolgt schrittweise von 2 °C bis 8 °C. Empfohlene Einstellung: 4 °C.

1. Berühren Sie den Temperaturregler .  
Die Anzeige der aktuellen Temperatur blinkt. Mit jeder Berührung des Temperaturreglers ändert sich die Einstellung um eine Position. Die entsprechende LED blinkt eine Zeit lang.
2. Berühren Sie den Temperaturregler so oft, bis die gewünschte Temperatur ausgewählt ist.

**i** Die eingestellte Temperatur wird innerhalb von 24 Stunden erreicht. Nach einem Stromausfall bleibt die eingestellte Temperatur gespeichert.

### 4.4 Funktion FastFreeze

Die FastFreeze Funktion dient dazu das Gefrierfach auf das Vorgefrieren und anschließende Schnellgefrieren der Lebensmittel vorzubereiten. Sie ist eine Schnellgefrierfunktion, die die Tiefkühlung neu hinzukommender Lebensmittel beschleunigt und gleichzeitig die bereits im Gefrierfach eingelagerten Lebensmittel vor unerwünschter Erwärmung schützt.

**i** Um frische Lebensmittel einzufrieren, schalten Sie die FastFreeze-Funktion mindestens 24 Stunden, bevor Sie die einzufrierenden Lebensmittel in das Gefrierfach hinein legen, ein.

Drücken Sie zum Einschalten der Funktion FastFreeze die Taste FastFreeze. Die Kontrolllampe FastFreeze leuchtet.

**i** Diese Funktion endet automatisch nach 52 Stunden.

Diese Funktion kann jederzeit durch erneutes Drücken der Taste FastFreeze ausgeschaltet werden. Die Kontrolllampe FastFreeze erlischt.

### 4.5 Alarm - Tür offen

Wenn die Kühlschranktür etwa 5 Minuten geöffnet bleibt, blinkt die Alarmleuchte und der Signalton ertönt.

In der Alarmphase kann der Signalton durch Drücken einer beliebigen Taste ausgeschaltet werden. Der Ton schaltet sich nach etwa einer Stunde automatisch ab, um nicht zu stören.

Der Alarm schaltet sich aus, wenn die Tür geschlossen wird.

#### 4.6 Hochtemperaturalarm

Bei einem Temperaturanstieg im Gefrierfach (z. B. aufgrund eines früheren Stromausfalls)

blinkt die Alarmleuchte und der Signalton ertönt.

Drücken Sie eine beliebige Taste, um den Ton auszuschalten.

Die Alarmleuchte blinkt so lange, bis die normalen Bedingungen wiederhergestellt sind.

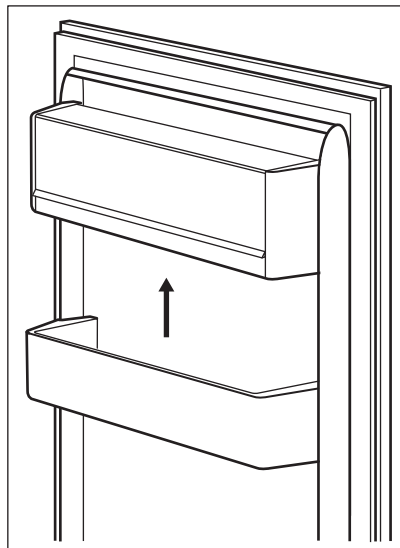
Wenn Sie keine Taste drücken, schaltet sich der Ton nach etwa einer Stunde automatisch ab, um nicht zu stören.

## 5. TÄGLICHER GEBRAUCH

### 5.1 Positionieren der Türablagen

Um die Lagerung von Lebensmittelpackungen verschiedener Größen zu ermöglichen, können die Türunterteilungsfächer in verschiedenen Höhen angeordnet werden.

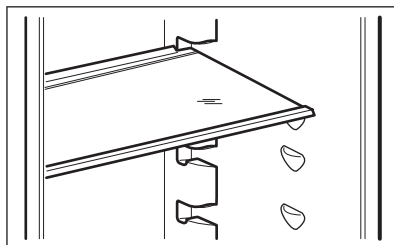
1. Ziehen Sie die Ablage langsam nach oben, bis diese sich löst.
2. Positionieren Sie diese neu wie erforderlich.



### 5.2 Verstellbare Ablagen

Die Wände des Kühlschranks sind mit einer Reihe von Führungsschienen ausgestattet,

die verschiedene Möglichkeiten für das Einsetzen der Ablagen bieten.



**i** Die Glasablage über der Gemüseschublade sollte jedoch nicht verstellt werden, um eine korrekte Luftzirkulation zu gewährleisten.

### 5.3 Obst- / Gemüseschubladen

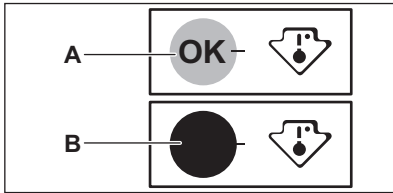
Im unteren Teil des Geräts befinden sich spezielle Schubladen, die sich zur Aufbewahrung von Obst und Gemüse eignen.

### 5.4 Temperaturanzeige

Für die richtige Lagerung von Lebensmitteln ist der Kühlschrank mit der Temperaturanzeige ausgestattet. Das Symbol an der Seitenwand des Geräts zeigt den kältesten Bereich im Kühlschrank an.

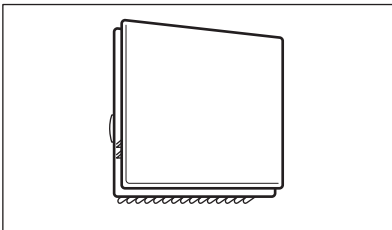
Wenn OK angezeigt wird (A), lagern Sie die frischen Lebensmittel im Bereich, der durch das Symbol angezeigt wird. Bei (B) warten Sie mindestens 12 Stunden und prüfen Sie, ob OK (A) angezeigt wird.

Wird OK nicht angezeigt (B), wählen Sie eine kältere Einstellung.



## 5.5 Lüfter

Das Kühlfach ist mit einer Vorrichtung ausgestattet, die das schnelle Abkühlen von Lebensmitteln ermöglicht und eine gleichmäßigere Temperatur im Fach aufrechterhält.



Diese Vorrichtung schaltet sich bei Bedarf automatisch ein.

**i** Der Ventilator ist nur bei geschlossener Tür in Betrieb.

**i** Entfernen Sie nicht die Abdeckung des Ventilators.

## 5.6 Einfrieren frischer Lebensmittel

Das Gefrierfach eignet sich zum Einfrieren frischer Lebensmittel und zur langfristigen Aufbewahrung gefrorener und tiefgefrorener Lebensmittel.

Zum Einfrieren frischer Lebensmittel aktiviere die FastFreeze-Funktion mindestens 24 Stunden, bevor du die einzufrierenden Lebensmittel in das Gefrierfach legst.

Lagern Sie frische Lebensmittel gleichmäßig verteilt im ersten Fach oder der ersten Schublade von oben.

Die maximale Menge an Lebensmitteln, die ohne Hinzufügen von anderen frischen Lebensmittel innerhalb von 24 Stunden eingefroren werden kann, ist auf dem

Typenschild (einem Schild im Gerät) angegeben.

Nach Abschluss des Gefriervorgangs kehrt das Gerät automatisch zur vorherigen Temperatureinstellung zurück (siehe „FastFreeze-Funktion“).

**i** In diesem Fall kann sich die Temperatur innerhalb des Kühlschranks geringfügig verändern.

Weitere Informationen finden Sie unter „Tipps zum Einfrieren“.

## 5.7 Lagerung von Tiefkühlgerichten

Lassen Sie das Gerät vor der ersten Inbetriebnahme oder nach einer Zeit, in der das Gerät nicht benutzt wurde, mindestens 3 Stunden lang mit eingeschalteter Funktion FastFreeze laufen, bevor Sie Lebensmittel in das Fach legen.

Die Gefrierschubladen sorgen dafür, dass das gewünschte Lebensmittelpaket schnell und einfach zu finden ist.

Sollen große Mengen an Lebensmitteln aufbewahrt werden, entfernen Sie alle Schubladen aus dem Gerät und legen Sie die Lebensmittel direkt auf die Ablagen.

Lagern Sie die Lebensmittel mit einem Mindestabstand von 15 mm zur Tür.

### **! VORSICHT!**

Kam es zum Beispiel zum Auftauen durch einen Stromausfall, der länger dauerte, als der auf dem Typenschild angegebene Wert unter Lagerzeit bei Störung, dann müssen die aufgetauten Lebensmittel schnell verbraucht oder sofort gekocht und nach dem Abkühlen wieder eingefroren werden. Siehe „Hochtemperaturalarm“.

## 5.8 Abtauen

Tiefgefrorene oder gefrorene Lebensmittel können vor dem Verzehr im Kühlschrank oder in einem Plastikbeutel unter kaltem Wasser aufgetaut werden.

Dieser Vorgang hängt von der verfügbaren Zeit und der Lebensmittelart ab. Kleinere Gefriergutteile können sogar noch gefroren gekocht werden.

## 5.9 Herstellen von Eiswürfeln

Dieses Gerät ist mit einer oder mehreren Schalen für die Herstellung von Eiswürfeln ausgestattet.

**i** Verwenden Sie zum Entnehmen der Schalen aus dem Gefrierfach keine Gegenstände aus Metall.

1. Füllen Sie die Schalen mit Wasser.
2. Stellen Sie die Eisschalen in das Gefrierfach.

## 6. TIPPS UND HINWEISE

### 6.1 Tipps zum Energiesparen

- Gefriergerät: Die interne Konfiguration des Geräts gewährleistet die effizienteste Energienutzung.
- Kühlschrank: Die effizienteste Energienutzung wird erreicht, wenn die Schubladen im unteren Teil des Geräts eingesetzt und die Ablagen gleichmäßig angeordnet sind. Die Position der Türablagen wirkt sich nicht auf den Energieverbrauch aus.
- Öffnen Sie die Tür nicht zu häufig, und lassen Sie diese nicht länger offen als notwendig.
- Gefriergerät: Je kälter die Temperatureinstellung, desto höher der Energieverbrauch.
- Kühlschrank: Stellen Sie die Temperatur nicht zu hoch ein, um Energie zu sparen, es sei denn, dies ist wegen der Beschaffenheit des Lebensmittels erforderlich.
- Wenn die Umgebungstemperatur hoch ist, der Temperaturregler auf eine niedrige Temperatur eingestellt und das Gerät voll beladen ist, kann es zu andauerndem Betrieb des Kompressors und damit zu Reif- oder Eisbildung am Verdampfer kommen. Stellen Sie in diesem Fall den Temperaturregler auf eine höhere Temperatur, um das automatische Abtauen zu ermöglichen und Energie zu sparen.
- Sorgen Sie für eine gute Belüftung. Bedecken Sie die Belüftungsgitter oder -öffnungen nicht.

### 6.2 Tipps zum Einfrieren

- Schalten Sie die FastFreeze-Funktion mindestens 24 Stunden, bevor Sie die

Lebensmittel in das Gefrierfach hinein legen, ein.

- Verpacken Sie frische Lebensmittel vor dem Einfrieren in Aluminiumfolie, Plastikfolie oder -beutel oder luftdichte Behälter mit Deckel.
- Teilen Sie die Lebensmittel in kleine Portionen, um das Einfrieren und Auftauen zu erleichtern.
- Es wird empfohlen, tiefgekühlte Lebensmittel mit Etiketten und Datum zu versehen. So können Sie die Lebensmittel identifizieren und erkennen, wann sie verzehrt werden sollten, bevor sie verderben.
- Die Lebensmittel sollten beim Einfrieren frisch sein, um eine gute Qualität zu bewahren. Besonders Obst und Gemüse sollte direkt nach der Ernte eingefroren werden, um alle Nährstoffe zu erhalten.
- Frieren Sie keine Flaschen oder Dosen mit Flüssigkeiten, insbesondere kohlenensäurehaltige Getränke, ein – die Gefäße können beim Einfrieren explodieren.
- Geben Sie keine heißen Lebensmittel in den Gefrierraum. Vergewissern Sie sich, dass sie auf Raumtemperatur abgekühlt sind, bevor Sie sie in das Fach legen.
- Um eine Erwärmung bereits eingefrorener Lebensmittel zu verhindern, legen Sie frische, nicht gefrorene Lebensmittel nicht direkt neben sie. Legen Sie Lebensmittel mit Raumtemperatur in Gefrierfächer, die keine gefrorenen Lebensmittel enthalten.
- Essen Sie keine Eiswürfel, Wassereis oder Eis am Stiel, wenn sie direkt aus dem Gefriergerät genommen wurden. Gefahr von Erfrierungen.
- Frieren Sie aufgetaute Lebensmittel nicht wieder ein. Wenn Lebensmittel aufgetaut

wurden, kochen Sie sie, lassen Sie sie abkühlen und frieren Sie sie dann ein.

### 6.3 Hinweise zur Lagerung von Tiefkühlgerichten

- Das Gefrierfach ist mit  gekennzeichnet.
- Eine mittlere Einstellung stellt eine gute Konservierung von Tiefkühlgerichten sicher.  
Eine höhere Temperatureinstellung im Gerät kann die Haltbarkeit verkürzen.
- Der gesamte Gefrierraum ist für die Lagerung von Tiefkühlprodukten geeignet.
- Lassen Sie ausreichend Platz um die Lebensmittel herum, damit die Luft frei zirkulieren kann.
- Die Haltbarkeit von Lebensmitteln ist auf dem Etikett der Lebensmittelverpackung angegeben.
- Es ist wichtig, die Lebensmittel so zu verpacken, dass kein Wasser, Feuchtigkeit oder Kondenswasser ins Innere gelangt.

### 6.4 Einkaufstipps

Nach dem Lebensmitteleinkauf:

- Achten Sie darauf, dass die Verpackung nicht beschädigt ist - die Lebensmittel könnten verdorben sein. Wenn die Verpackung aufgequollen oder nass ist, wurde das Lebensmittel möglicherweise nicht unter den optimalen Bedingungen gelagert und das Auftauen hat eventuell bereits begonnen.
- Um den Auftauprozess zu minimieren, kaufen Sie Tiefkühlware am Ende Ihres Einkaufs und transportieren Sie diese in einer Isoliertasche.
- Legen Sie die tiefgefrorenen Lebensmittel sofort nach der Rückkehr aus dem Laden in das Gefriergerät.
- Wenn Lebensmittel auch nur teilweise aufgetaut sind, dürfen sie nicht wieder eingefroren werden. Verzehren Sie sie schnell wie möglich.
- Beachten Sie das Haltbarkeitsdatum und die Lagerinformationen auf der Verpackung.

### 6.5 Lagerdauer im Gefrierfach


Lebensmittel	Lagerdauer (Monate)
Brot	3
Früchte (außer Zitrusfrüchten)	6 - 12
Gemüse	8 - 10
Reste ohne Fleisch	1 - 2
<b>Molkereiprodukte:</b>	
Butter	6 - 9
Weichkäse (z. B. Mozzarella)	3 - 4
Hartkäse (z. B. Parmesan, Cheddar)	6
<b>Meeresfrüchte:</b>	
Fetthaltiger Fisch (z. B. Lachs, Makrele)	2 - 3
Fettarmer Fisch (z. B. Dorsch, Flunder)	4 - 6
Shrimps	12
Muscheln und Miesmuscheln ohne Schale	3 - 4
Gekochter Fisch	1 - 2
<b>Fleisch:</b>	

Lebensmittel	Lagerdauer (Monate)
Geflügel	9 - 12
Rindfleisch	6 - 12
Schweinefleisch	4 - 6
Lamm	6 - 9
Wurst	1 - 2
Schinken	1 - 2
Reste mit Fleisch	2 - 3

## 6.6 Tipps für die Kühlung frischer Lebensmittel

- Eine gute Temperatureinstellung, die die Konservierung von frischen Lebensmitteln sicherstellt, ist eine Temperatur von weniger oder gleich +4 °C. Eine höhere Temperatureinstellung im Gerät kann die Haltbarkeit der Lebensmittel verkürzen.
- Decken Sie die Lebensmittel mit Verpackungsmaterial ab, um ihre Frische und ihr Aroma zu bewahren.
- Verwenden Sie immer geschlossene Behälter für Flüssigkeiten und Lebensmittel, um Düfte oder Gerüche im Fach zu vermeiden.
- Um eine Kreuzkontamination zwischen gekochten und rohen Lebensmitteln zu vermeiden, decken Sie die gekochten Lebensmittel ab und trennen Sie sie von den rohen.
- Es wird empfohlen, Lebensmittel im Kühlschrank aufzutauen.
- Stellen Sie keine warmen Lebensmittel in das Gerät. Vergewissern Sie sich, dass sie auf Raumtemperatur abgekühlt sind, bevor Sie sie in das Gerät stellen.
- Um eine Verschwendung von Lebensmitteln zu vermeiden, sollten neue Lebensmittel immer hinter die alten gelegt werden.

## 6.7 Hinweise für die Kühlung von Lebensmitteln

- Das Fach für frische Lebensmittel ist (auf dem Typenschild) gekennzeichnet mit .

- Fleisch (alle Sorten): Wickeln Sie Fleisch in geeignetes Material und legen Sie dieses auf die Glasablage über der Gemüseschublade. Lagern Sie Fleisch höchstens 1 - 2 Tage.
- Obst und Gemüse: Gründlich reinigen (Erde entfernen) und in die spezielle Schublade (Obst- und Gemüseschublade) legen.
- Es wird empfohlen, exotische Früchte wie Bananen, Mangos, Papayas usw. nicht im Kühlschrank aufzubewahren.
- Gemüse wie Tomaten, Kartoffeln, Zwiebeln und Knoblauch sollten nicht im Kühlschrank aufbewahrt werden.
- Butter und Käse: Diese sollten stets in luftdichten Behältern verpackt sein oder in Aluminiumfolie bzw. in Polyäthylenbeutel eingepackt werden, um so wenig Luft wie möglich in der Verpackung zu haben.
- Flaschen: Sie sollten mit Deckel in der Flaschenablage in der Tür oder im Flaschenhalter (falls vorhanden) aufbewahrt werden.
- Achten Sie auf das Haltbarkeitsdatum der Lebensmittel, damit Sie wissen, wie lange sie gelagert werden können.



## 7. REINIGUNG UND PFLEGE

### **⚠️ WARNUNG!**

Siehe Kapitel „Sicherheitshinweise“.

### 7.1 Reinigung des Innenraums

Vor der ersten Verwendung des Geräts sollten der Innenraum und das gesamte interne Zubehör mit lauwarmem Wasser und etwas neutraler Seife gewaschen werden, um den typischen Geruch eines brandneuen Produkts zu entfernen, und anschließend gründlich getrocknet werden.

### **⚠️ VORSICHT!**

Verwenden Sie keine chemischen Reinigungsmittel, Scheuerpulver, chlor- oder ölhaltige Reinigungsmittel, da diese die Oberfläche beschädigen.

### **⚠️ VORSICHT!**

Das Zubehör und die Teile des Geräts sind nicht zur Reinigung im Geschirrspüler geeignet.

### 7.2 Regelmäßige Reinigung

Das gesamte Gerät muss regelmäßig gereinigt werden:

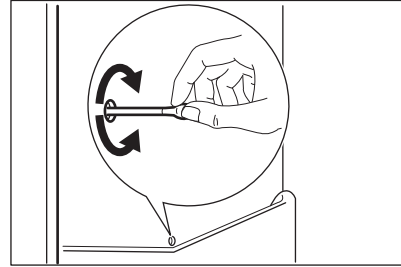
1. Reinigen Sie das Innere und die Zubehörteile mit lauwarmem Wasser und etwas Neutralseife.
2. Prüfen und säubern Sie die Türdichtungen in regelmäßigen Abständen, um zu gewährleisten, dass diese sauber und frei von Fremdkörpern sind.
3. Spülen und trocknen Sie diese sorgfältig ab.

### 7.3 Abtauen des Kühlschranks

Bei normalem Betrieb wird Reif automatisch von dem Verdampfer des Kühlschranks entfernt. Das Abtauwasser läuft durch eine Wanne in einen speziellen Behälter an der Rückseite des Geräts über den Motorkompressor ab, wo es verdampft.

Es ist wichtig, das Abflussloch für das Abtauwasser in der Mitte des Kühlfachkanals regelmäßig zu reinigen, um zu verhindern, dass das Wasser überläuft und auf die Lebensmittel im Inneren tropft.

Benutzen Sie hierfür den Rohrreiner, der mit dem Gerät geliefert wird.



### 7.4 Abtauen des Gefriergeräts

#### **⚠️ VORSICHT!**

Verwenden Sie niemals scharfe Metallwerkzeuge zum Abkratzen von Reif aus dem Verdampfer, da Sie diesen beschädigen könnten.

Verwenden Sie kein anderes mechanisches Gerät oder jegliche künstliche Hilfsmittel, um den Abtauprozess zu beschleunigen, als was der Hersteller vorgeschlagen hat. Verwenden Sie den mitgelieferten Eiskratzer nicht zum Zubereiten von Speisen.

**i** Stellen Sie ungefähr 12 Stunden vor dem Abtauen eine niedrigere Temperatur ein, um ausreichend Kältereserve für die Betriebsunterbrechung aufzubauen.

Auf den Ablagen des Gefriergeräts und um das obere Fach bildet sich immer eine gewisse Menge Reif.

Tauen Sie das Gefriergerät ab, wenn die Reifschicht eine Stärke von etwa 3 bis 5 mm erreicht hat.

1. Schalten Sie das Gerät aus oder ziehen Sie den Netzstecker aus der Steckdose.

- Entnehmen Sie die eingelagerten Lebensmittel und lagern Sie sie an einem kühlen Ort.

### **VORSICHT!**

Ein Temperaturanstieg der gefrorenen Lebensmittelpakete während des Abtauens kann deren Haltbarkeitsdauer verkürzen. Berühren Sie gefrorene Lebensmittel nicht mit nassen Händen. Die Hände können an den Lebensmitteln festfrieren.

- Lassen Sie die Tür offen. Schützen Sie den Boden vor dem Abtauwasser, z. B. mit einem Tuch oder einem flachen Behälter.
- Stellen Sie einen Topf mit warmem Wasser in das Gefrierfach, um den Abtauprozess zu beschleunigen. Entfernen Sie bereits während des Abtauprozesses vorsichtig Eisstücke, die sich lösen lassen. Verwenden Sie dazu den mitgelieferten Eiskratzer.
- Wenn der Gefrierraum vollständig abgetaut ist, wischen Sie das Innere

sorgfältig trocken. Bewahren Sie den Eiskratzer für den zukünftigen Gebrauch auf.

- Schalten Sie das Gerät ein und schließen Sie die Tür.
- Drehen Sie den Temperaturregler auf eine höhere Einstellung, um die maximale mögliche Kühlung zu erreichen, und lassen Sie das Gerät mindestens 3 Stunden mit dieser Einstellung laufen.

Legen Sie das Gefriergut erst nach dieser Zeit wieder in das Gefrierfach.

## 7.5 Stillstandszeiten

Bei längerem Stillstand des Geräts müssen Sie folgende Vorkehrungen treffen:

- Trennen Sie das Gerät von der Stromversorgung.
- Entfernen Sie alle Lebensmittel.
- Tauen Sie das Gerät ab.
- Reinigen Sie das Gerät und alle Zubehörteile.
- Lassen Sie die Türen geöffnet, um unangenehme Gerüche zu vermeiden.

## 8. PROBLEMBEHEBUNG

### **WARNUNG!**

Siehe Kapitel „Sicherheitshinweise“.

### 8.1 Was zu tun ist, wenn ...

Störung	Mögliche Ursache	Lösung
Das Gerät funktioniert nicht.	Das Gerät ist ausgeschaltet.	Schalte das Gerät ein.
	Der Netzstecker ist nicht richtig in die Netzsteckdose eingesteckt.	Stecke den Netzstecker richtig in die Netzsteckdose.
	Die Netzsteckdose hat keine Netzspannung.	Schließe ein anderes Elektrogerät an der Netzsteckdose an. Wende dich an einen qualifizierten Elektriker.
Das Gerät ist laut.	Das Gerät ist nicht ordnungsgemäß abgestützt.	Prüfe, ob sich das Gerät in einer stabilen Position befindet.
Es wird ein akustisches oder optisches Alarmsignal ausgelöst.	Das Gerät wurde vor kurzem eingeschaltet.	Siehe „Hochtemperaturalarm“ oder „Alarm - Tür offen“.

<b>Störung</b>	<b>Mögliche Ursache</b>	<b>Lösung</b>
	Die Temperatur im Gerät ist zu hoch.	Siehe „Hochtemperaturalarm“ oder „Alarm - Tür offen“.
	Die Tür ist offen.	Schließe die Tür.
Der Kompressor arbeitet ständig.	Die Temperatur ist falsch eingestellt.	Siehe Kapitel „Bedienfeld“.
	Es wurden viele Lebensmittel gleichzeitig hineingelegt.	Warte einige Stunden und prüfe erneut die Temperatur.
	Die Raumtemperatur ist zu hoch.	Siehe Kapitel „Montage“.
	Die Lebensmittel, die im Gerät aufbewahrt werden, waren zu warm.	Lass die Lebensmittel vor deren Aufbewahrung auf Raumtemperatur abkühlen.
	Die Tür ist nicht richtig geschlossen.	Siehe Abschnitt „Schließen der Tür“.
	Die Funktion FastFreeze ist eingeschaltet.	Siehe Abschnitt „Funktion FastFreeze“.
Der Kompressor schaltet sich nicht sofort ein, nachdem Du „FastFreeze“ gedrückt oder die Temperatur auf einen anderen Wert eingestellt hast.	Der Kompressor startet nach einer gewissen Zeit.	Das ist normal; es ist kein Fehler aufgetreten.
Die Tür ist falsch ausgerichtet oder beeinträchtigt das Lüftungsgitter.	Das Gerät ist nicht ausgerichtet.	Siehe Montageanleitung.
Die Tür lässt sich nicht leicht öffnen.	Du hast versucht, die Tür unmittelbar nach dem Schließen erneut zu öffnen.	Warte einige Sekunden zwischen dem Schließen und erneutem Öffnen der Tür.
Die Lampe funktioniert nicht.	Die Lampe ist im Standby-Modus.	Schließe die Tür und öffne die Tür wieder.
	Die Lampe ist defekt.	Wenden Sie sich an das nächste autorisierte Servicezentrum.
Zu viel Frost und Eis.	Die Tür ist nicht richtig geschlossen.	Siehe Abschnitt „Schließen der Tür“.
	Die Dichtung ist verzogen oder verschmutzt.	Siehe Abschnitt „Schließen der Tür“.
	Die Lebensmittel sind nicht richtig verpackt.	Verpacke die Lebensmittel besser.
	Die Temperatur ist falsch eingestellt.	Siehe Kapitel „Bedienfeld“.

<b>Störung</b>	<b>Mögliche Ursache</b>	<b>Lösung</b>
	Das Gerät ist voll von Lebensmitteln und auf die niedrigste Temperatur eingestellt.	Stelle eine höhere Temperatur ein. Siehe Kapitel „Bedienfeld“.
	Die Temperatur im Gerät ist zu niedrig, und die Umgebungstemperatur ist zu hoch.	Stelle eine höhere Temperatur ein. Siehe Kapitel „Bedienfeld“.
Wasser fließt an der Rückwand des Kühlschranks herunter.	Während des automatischen Abtauprozesses taut das Eis an der Rückwand ab.	Das ist richtig.
An der Rückwand des Kühlschranks befindet sich zu viel Kondenswasser.	Die Tür wurde zu häufig geöffnet.	Öffne die Tür nur bei Bedarf.
	Die Tür wurde nicht vollständig geschlossen.	Achte darauf, dass die Tür vollständig geschlossen ist.
	Die aufbewahrten Lebensmittel waren nicht verpackt.	Packe die Lebensmittel richtig ein, bevor Du diese in das Gerät legst.
Wasser fließt im Innern des Kühlschranks herunter.	Lebensmittel verhindern das Abfließen des Wassers in den Wasserversammler.	Achte darauf, dass die Lebensmittel nicht die Rückwand berühren.
	Der Wasserablauf ist verstopft.	Reinige den Wasserablauf.
Wasser fließt auf den Boden.	Der Tauwasserablauf ist nicht an die Verdampfungsschale über dem Kompressor angeschlossen.	Bringe den Tauwasserablauf an der Verdampfungsschale an.
Die Temperatur kann nicht eingestellt werden.	Die FastFreeze Funktion ist eingeschaltet.	Schalte die FastFreeze Funktion manuell aus, oder warte mit dem Einstellen der Temperatur, bis die Funktion automatisch ausgeschaltet wird. Siehe Abschnitt „Funktion FastFreeze“.
Die Temperatur im Gerät ist zu niedrig / zu hoch.	Die Temperatur ist nicht richtig eingestellt.	Stelle eine höhere / niedrigere Temperatur ein.
	Die Tür ist nicht richtig geschlossen.	Siehe Abschnitt „Schließen der Tür“.
	Die Temperatur der Lebensmittel ist zu hoch.	Lass die Lebensmittel auf Raumtemperatur abkühlen, bevor Du diese in das Kühlgerät legst.
	Viele Lebensmittel werden gleichzeitig in das Kühlgerät gelegt.	Lege weniger Lebensmittel gleichzeitig in das Kühlgerät.

Störung	Mögliche Ursache	Lösung
	Die Frostsicht ist dicker als 4 - 5 mm.	Tau das Gerät ab.
	Die Tür wurde zu oft geöffnet.	Öffne die Tür nur bei Bedarf.
	Die Funktion FastFreeze ist eingeschaltet.	Siehe Abschnitt „Funktion FastFreeze“.
	Im Gerät herrscht keine Kaltluftzirkulation.	Stelle sicher, dass die Kaltluft im Gerät zirkulieren kann. Siehe Kapitel „Tipps und Hinweise“.
Bestimmte Oberflächen im Innern des Kühlraums sind zu bestimmten Zeiten wärmer.		Das ist ein normaler Zustand.
Die Temperatureinstellungs-LEDs blinken gleichzeitig.	Beim Messen der Temperatur ist ein Fehler aufgetreten.	Wende dich an das nächstgelegene autorisierte Servicezentrum. Das Kühlsystem hält zwar die Lebensmittel weiterhin kalt, aber eine Temperatureinstellung ist nicht mehr möglich.

**i** Wenn die Ratschläge nicht zum gewünschten Ergebnis führen, wende dich an das nächstgelegene autorisierte Servicezentrum.

## 8.2 Austauschen der Lampe

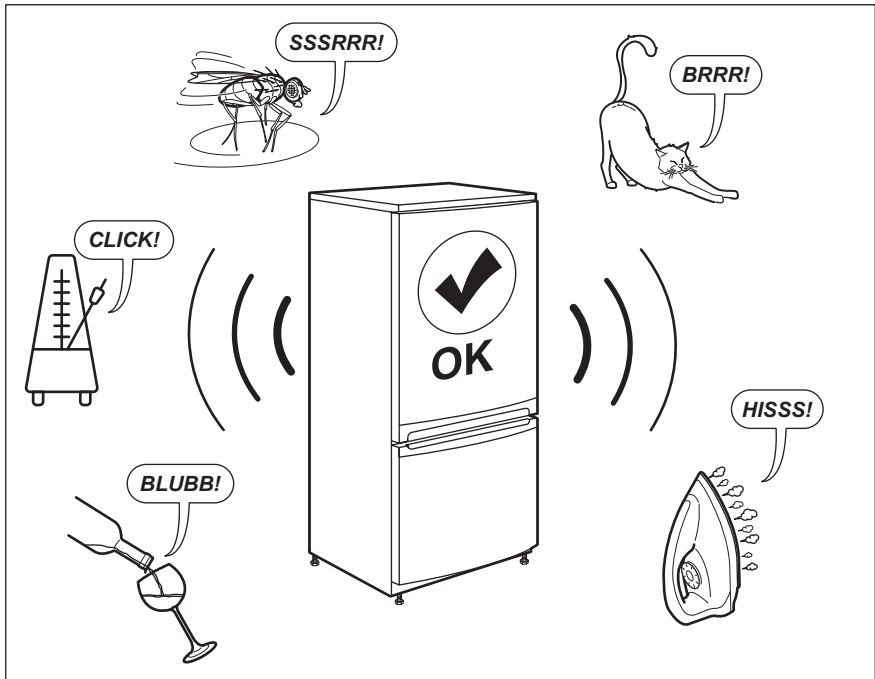
Das Gerät ist mit einer langlebigen LED-Innenbeleuchtung ausgestattet.

Nur Service-Fachpersonal darf die Beleuchtungseinheit ersetzen. Wenden Sie sich an Ihren autorisierten Kundendienst.

## 8.3 Schließen der Tür

1. Reinigen Sie die Türdichtungen.
2. Passen Sie die Tür bei Bedarf an. Siehe Montageanleitung.
3. Tauschen Sie bei Bedarf die defekten Türdichtungen aus. Wenden Sie sich an den autorisierten Kundendienst.

## 9. GERÄUSCHE



## 10. TECHNISCHE DATEN

Die technischen Daten befinden sich auf dem Typenschild innen im Gerät sowie auf der Energieplakette.

Der QR-Code auf der Energieplakette des Geräts bietet einen Web-Link zu Informationen über die Geräteleistung in der EU EPREL-Datenbank. Bewahren Sie daher die Energieplakette als Referenz zusammen mit dieser Bedienungsanleitung und allen anderen Unterlagen, die mit dem Gerät geliefert wurden, auf.

Es ist auch möglich, die gleichen Informationen in EPREL zu finden, indem Sie den Link <https://eprel.ec.europa.eu> sowie den Modellnamen und die Produktnummer, die Sie auf dem Typenschild des Geräts finden, verwenden.

Beachten Sie den Link [www.theenergylabel.eu](http://www.theenergylabel.eu) bezüglich detaillierter Informationen zur Energieplakette.

## 11. INFORMATIONEN FÜR PRÜFINSTITUTE

Die Installation und die Vorbereitung des Geräts für eine eventuelle EcoDesign-Prüfung müssen mit EN 62552 (EU) übereinstimmen. Die Lüftungsanforderungen,

die Abmessungen der Einbaunische und die Mindestabstände sind in dieser Bedienungsanleitung unter „Montage“, beschrieben. Weitere

Informationen erhalten Sie vom Hersteller, einschließlich der Beladungspläne.

## 12. INFORMATIONEN ZUR ENTSORGUNG

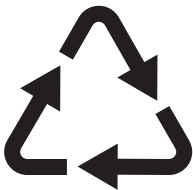
### Ihre Pflichten als Endnutzer



Dieses Elektro- bzw. Elektronikgerät ist mit einer durchgestrichenen Abfalltonne auf Rädern gekennzeichnet. Das Gerät darf deshalb nur getrennt vom unsortierten Siedlungsabfall gesammelt und zurückgenommen werden, es darf also nicht in den Hausmüll gegeben werden. Das Gerät kann z. B. bei einer kommunalen Sammelstelle oder ggf. bei einem Vertreter (siehe zu deren Rücknahmepflichten unten) abgegeben werden. Das gilt auch für alle Bauteile, Unterbaugruppen und Verbrauchsmaterialien des zu entsorgenden Altgeräts.

Bevor das Altgerät entsorgt werden darf, müssen alle Altbatterien und Altakkumulatoren vom Altgerät getrennt werden, die nicht vom Altgerät umschlossen sind. Das gleiche gilt für Lampen, die zerstörungsfrei aus dem Altgerät entnommen werden können. Der Endnutzer ist zudem selbst dafür verantwortlich, personenbezogene Daten auf dem Altgerät zu löschen.

### Hinweise zum Recycling



Helfen Sie mit, alle Materialien zu recyceln, die mit diesem Symbol gekennzeichnet sind. Entsorgen Sie solche Materialien, insbesondere Verpackungen, nicht im

Haumüll sondern über die bereitgestellten Recyclingbehälter oder die entsprechenden örtlichen Sammelsysteme.

Recyceln Sie zum Umwelt- und Gesundheitsschutz auch elektrische und elektronische Geräte.

### Rücknahmepflichten der Vertreter in Deutschland

Wer auf mindestens 400 m<sup>2</sup> Verkaufsfläche Elektro- und Elektronikgeräte vertreibt oder sonst geschäftlich an Endnutzer abgibt, ist verpflichtet, bei Abgabe eines neuen Geräts ein Altgerät des Endnutzers der gleichen Geräteart, das im Wesentlichen die gleichen Funktionen wie das neue Gerät erfüllt, am Ort der Abgabe oder in unmittelbarer Nähe hierzu unentgeltlich zurückzunehmen. Das gilt auch für Vertreter von Lebensmitteln mit einer Gesamtverkaufsfläche von mindestens 800 m<sup>2</sup>, die mehrmals im Kalenderjahr oder dauerhaft Elektro- und Elektronikgeräte anbieten und auf dem Markt bereitstellen. Solche Vertreter müssen zudem auf Verlangen des Endnutzers Altgeräte, die in keiner äußeren Abmessung größer als 25 cm sind (kleine Elektrogeräte), im Einzelhandelsgeschäft oder in unmittelbarer Nähe hierzu unentgeltlich zurückzunehmen; die Rücknahme darf in diesem Fall nicht an den Kauf eines Elektro- oder Elektronikgerätes geknüpft, kann aber auf drei Altgeräte pro Geräteart beschränkt werden.

Ort der Abgabe ist auch der private Haushalt, wenn das neue Elektro- oder Elektronikgerät dorthin geliefert wird; in diesem Fall ist die Abholung des Altgerätes für den Endnutzer kostenlos.

Die vorstehenden Pflichten gelten auch für den Vertrieb unter Verwendung von Fernkommunikationsmitteln, wenn die Vertreter Lager- und Versandflächen für Elektro- und Elektronikgeräte bzw. Gesamtlager- und -versandflächen für Lebensmittel vorhalten, die den oben genannten Verkaufsflächen entsprechen. Die

unentgeltliche Abholung von Elektro- und Elektronikgeräten ist dann aber auf Wärmeüberträger (z. B. Kühlschrank), Bildschirme, Monitore und Geräte, die Bildschirme mit einer Oberfläche von mehr als 100 cm<sup>2</sup> enthalten, und Geräte beschränkt, bei denen mindestens eine der äußeren Abmessungen mehr als 50 cm beträgt. Für alle übrigen Elektro- und Elektronikgeräte muss der Vertreiber geeignete Rückgabemöglichkeiten in zumutbarer Entfernung zum jeweiligen Endnutzer gewährleisten; das gilt auch für kleine Elektrogeräte (s.o.), die der Endnutzer zurückgeben will, ohne ein neues Gerät zu kaufen.

#### **Rücknahmepflichten von Vertreibern und andere Möglichkeiten der Entsorgung von Elektro- und Elektronikgeräten in der Region Wallonien**

Vertreiber, die Elektro- und Elektronikgeräte verkaufen, sind verpflichtet, bei der Lieferung von Neugeräten Altgeräte desselben Typs,

die im Wesentlichen die gleichen Funktionen wie die Neugeräte erfüllen, kostenlos vom Endverbraucher zurückzunehmen. Dies gilt auch bei der Lieferung von neuen Elektro- und Elektronikgeräten oder beim Fernabsatz.

Darüber hinaus ist jeder, der Elektro- und Elektronikgeräte auf einer Verkaufsfläche von mindestens 400 m<sup>2</sup> verkauft, verpflichtet, Altgeräte, die in keiner äußeren Abmessung größer als 25 cm sind (Elektrokleingeräte), im Ladengeschäft oder in unmittelbarer Nähe kostenlos zurückzunehmen; die Rücknahme darf in diesem Fall nicht vom Kauf eines Elektro- oder Elektronikgerätes abhängig gemacht werden.

Die Rücknahme von Elektro- und Elektronikgeräten kann auch auf Containerplätzen oder zugelassenen Recyclinghöfen erfolgen. Für weitere Informationen wenden Sie sich bitte an Ihre Gemeindeverwaltung.



# INNEHÅLL

1. SÄKERHETSINFORMATION.....	41
2. SÄKERHETSINSTRUKTIONER.....	43
3. INSTALLATION.....	45
4. KONTROLLPANEL.....	47
5. DAGLIG ANVÄNDNING.....	48
6. RÅD OCH TIPS.....	50
7. UNDERHÅLL OCH RENGÖRING.....	52
8. FELSÖKNING.....	54
9. LJUD.....	57
10. TEKNISKA DATA.....	57
11. INFORMATION FÖR TESTINSTITUT.....	57
12. MILJÖSKYDD.....	58

Med reservation för ändringar.

## 1. ⚠ SÄKERHETSINFORMATION

Läs noga de bifogade instruktionerna före installation och användning av produkten. Tillverkaren är inte ansvarig för eventuella personskador eller andra skador som uppkommit som ett resultat av felaktig installation eller användning. Förvara alltid bruksanvisningen på en säker och tillgänglig plats för framtida bruk.

### 1.1 Säkerhet för barn och personer med funktionsnedsättning

- Denna produkt kan användas av barn från 8 års ålder och uppåt, och av personer med nedsatt fysisk, sensorisk eller mental förmåga, samt personer med bristande erfarenhet och kunskap om de övervakas eller instrueras om hur produkten används på ett säkert sätt och förstår de risker som är förknippade med användningen. Barn mellan 3 och 8 år och personer med väldigt svåra och komplexa funktionsnedsättningar får fylla på och tömma maskinen, förutsatt att de har fått rätt instruktioner. Barn under 3 år ska inte vistas i närheten av produkten utan ständig uppsikt.
- Barn ska hållas under uppsikt så att de inte leker med produkten och .

- Barn får inte utföra rengöring och underhåll av produkten utan uppsikt.
- Håll allt förpackningsmaterial utom räckhåll för barn och kassera det på lämpligt sätt.

## 1.2 Allmän säkerhet

- Denna produkt är endast avsedd för förvaring av mat och dryck.
- Denna produkt är avsedd för enskilt hushållsbruk inomhus.
- Produkten kan användas i kontor, hotellrum, gårdsgästhus och liknande boenden där sådan användning inte innebär att genomsnittlig hushållsförbrukning överskrids.
- För att undvika kontaminering av livsmedel respektera följande instruktioner:
  - låt inte dörren vara öppen längre stunder,
  - rengör regelbundet ytor som kan komma i kontakt med mat samt åtkomliga dräneringssystem,
  - förvara rått kött och fisk i lämpliga behållare i kylan, så att det inte kommer i kontakt med eller droppar på annan mat.
- **WARNING!** Se till att ventilationsöppningarna i maskinens hölje eller inbyggda struktur inte blockeras.
- **WARNING!** Använd inga mekaniska verktyg eller andra medel för att påskynda upptvinningsprocessen utöver de som rekommenderas av tillverkaren.
- **WARNING!** Var noga med att inte skada kylkretsen.
- **WARNING!** Använd inga elektriska produkter inne i förvaringsutrymmena såvida de inte är av en typ som rekommenderas av tillverkaren.
- Använd inte vattenspray och ånga för att rengöra produkten.
- Rengör produkten med en våt mjuk trasa. Använd bara neutrala rengöringsmedel. Använd inte slipande produkter, repande rengöringstussar, lösningsmedel eller metallföremål.

- När produkten är tom under en längre tid ska den stängas av, avfrostas, rengöras, torkas och dörren ska lämnas öppen för att förhindra att mögel utvecklas i produkten.
- Förvara inte explosiva ämnen som t.ex. sprayburkar med lättantändligt bränsle i den här produkten.
- Om nätsladden är skadad måste den bytas av tillverkaren, tillverkarens auktoriserade servicecenter eller personer med motsvarande utbildning, för att undvika fara.

## 2. SÄKERHETSINSTRUKTIONER

### 2.1 Installation

#### **WARNING!**

Endast en behörig person får installera den här produkten.

- Avlägsna allt förpackningsmaterial.
- Installera eller använd inte en skadad produkt.
- Av säkerhetsskäl, använd inte produkten innan den installeras i den inbyggda strukturen.
- Följ installationsinstruktionerna som följer med produkten.
- Var alltid försiktig när produkten rör sig eftersom den är tung. Använd alltid skyddshandskar och täkta skor.
- Se till att luft kan cirkulera runt produkten.
- Vid första installationen eller om dörren har hängts om, vänta minst 4 timmar innan du ansluter till elnätet. Detta för att oljan ska rinna tillbaka i kompressorn.
- Innan du utför något på produkten (t ex hänger om dörren), ska du dra ut kontakten ur vägguttaget.
- Installera inte produkten i närheten av element eller spisar, ugnar eller hällar, såvida inte annat anges i installationsanvisningarna.
- Produkten får inte utsättas för regn.
- Installera inte produkten där den kan utsättas för direkt solljus.
- Installera inte produkten på platser som är mycket fuktiga eller kalla.
- När du flyttar produkten ska du lyfta den i framkanten för att undvika att repa golvet.
- Med produkten följer en påse med torkmedel. Detta är ingen leksak. Det är

inget man kan äta. Kassera det omedelbart.

### 2.2 Elanslutning

#### **WARNING!**

Risk för brand och elektriska stötar.

#### **WARNING!**

När du sätter in din produkt, se till att elsladden inte kommer under produkten eller skadas.

#### **WARNING!**

Använd inte grenuttag eller förlängningskablar.

- Produkten måste jordas.
- Se till att de parametrarna på märkskylten överensstämmer med elnätets elektricitet.
- Använd alltid ett korrekt installerat, stötsäkert och jordat eluttag.
- Se till att du inte skadar de elektriska komponenterna (t.ex. stickkontakten, nätkabeln och kompressorn). Kontakta det auktoriserade servicecentret eller en elektriker för att byta de elektriska komponenterna.
- Nätkabeln måste alltid vara under elkontakten.
- Anslut stickkontakten till eluttaget först vid slutet av installationen. Kontrollera att stickkontakten är åtkomlig efter installationen.
- Dra inte i anslutningsladden för att koppla bort produkten från eluttaget. Ta alltid tag i stickkontakten.

## 2.3 Använd

### **WARNING!**

Risk för skador, brännskador eller elstötar föreligger.



Produkten innehåller brandfarlig gas, isobutan (R600a), en naturgas med hög miljökompatibilitet. Var försiktig så att du inte skadar kylkretsen som innehåller isobutan.

- Ändra inte produktens specifikationer.
- All användning av den inbyggda produkten för separat funktion är strängt förbjuden.
- Placera inte elektriska produkter (t.ex. glassmaskiner) i produkten såvida de inte anges av tillverkaren.
- Om kylkretsen skadas, så se till att inga flammor eller antändningskällor förekommer i rummet. Ventilera rummet.
- Låt inte heta föremål vidröra plastdelarna i produkten.
- Lägg inte läskedrycker i frysacket. Detta skapar tryck i dryckesbehållaren.
- Förvara inte brandfarliga gaser och vätskor i produkten.
- Placera inte brandfarliga produkter eller föremål som är våta med brandfarliga produkter i, i närheten av eller på produkten.
- Vidrör inte kompressorn eller kondensorn. De är heta.
- Se till att aldrig avlägsna eller vidröra föremål från frysacket med våta eller fuktiga händer.
- Frys inte mat på nytt om den har tinats.
- Följ förvaringsanvisningarna på förpackningen till den frysta maten.
- Lägg maten i påse eller förvaringsburk innan du lägger det i frysacket.
- Låt inte matvaror komma i kontakt med produktens invändiga komponenter.

## 2.4 Invändig belysning

### **WARNING!**

Risk för elektrisk stöt!

- Den här produkten innehåller en eller flera ljuskällor med energieffektivitetsklass G.
- När det gäller lampan/lamporna i denna produkt och reservlampor som säljs separat: Dessa lampor är avsedda att tåla

extrema fysiska förhållanden i hushållsapparater, såsom temperatur, vibration, fuktighet eller är avsedda att signalera information om produktens driftsstatus. De är inte avsedda att användas i andra produkter eller som rumsbelysning i hemmet.

## 2.5 Skötsel och rengöring

### **WARNING!**

Risk för personskador eller skador på produkten.

- Stäng av produkten och koppla bort den från eluttaget före underhåll.
- Kylenheten i denna product innehåller kolvåten Endast en behörig person får utföra underhåll och fylla kylapparaten.
- Undersök regelbundet tömningskanalen i kylan och rengör den vid behov. Om tömningskanalen täpps igen kommer avfrostat vatten att samlas på produktens botten.

## 2.6 Service

- Kontakta ett auktoriserat servicecenter för reparation av produkten. Använd endast originalreservdelar.
- Observera att reparationer som utförs själv eller på ett icke fackmannamässigt sätt kan få säkerhetsmässiga konsekvenser och kan upphäva garantin.
- Följande reservdelar kommer att finnas tillgängliga i 7 år efter att modellen slutat tillverkas: termostater, temperaturgivare, kretskort, ljuskällor, dörrhandtag, dörrgångjärn, plåtar och korgar. Observera att vissa av dessa reservdelar endast är tillgängliga för professionella reparatörer och att inte alla reservdelar är relevanta för alla modeller.
- Packningar till luckan kommer att finnas tillgängliga i 10 år efter att modellen har slutat tillverkas.

## 2.7 Avfallshantering

### **WARNING!**

Risk för personskador eller kvävning föreligger.

- Koppla loss produkten från eluttaget.
- Klipp av strömkabeln och kassera den.

- Ta bort locket för att hindra att barn eller djur stängs in i produkten.
- Kylkretsen och isoleringsmaterialet i den här produkten är "ozonvänliga".
- Isoleringsmaterialet innehåller brandfarlig gas. Kontakta kommunen för information om hur produkten kasseras korrekt.

- Orsaka inte skada på den delen av kylenheten som är nära värmepumpen.

### 3. INSTALLATION

#### **! VARNING!**

Se avsnitten om säkerhet.

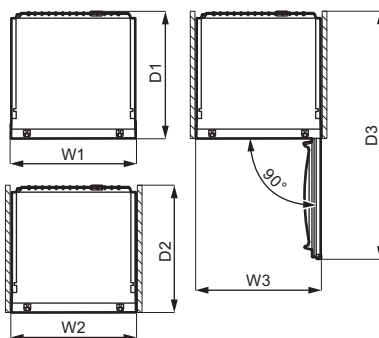
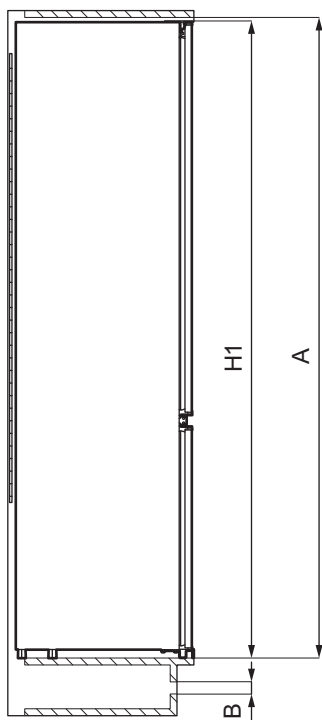
#### **! VARNING!**

Se installationsinstruktions dokumentet för att installera din apparat.

#### **! VARNING!**

Fixera apparaten i enlighet med installationsinstruktion dokumentet för att undvika risk för instabilitet hos apparaten.

#### 3.1 Mått



### Yttermått <sup>1</sup>

H1	mm	1772
W1	mm	540
D1	mm	549

<sup>1</sup> höjd, bredd och djup på produkten gäller utan handtag

### Utrymme som krävs under användning <sup>2</sup>

H2 (A+B)	mm	1816
W2	mm	560
D2	mm	550
A	mm	1780
B	mm	36

<sup>2</sup> höjd, bredd och djup på produkten inklusive handtaget, plus utrymmet som krävs för fri cirkulation av kyl Luft

### Totalt utrymme som krävs under användning <sup>3</sup>

H3 (A+B)	mm	1816
W3	mm	550
D3	mm	1068

<sup>3</sup> höjd, bredd och djup på produkten inklusive handtaget, plus utrymmet som krävs för fri cirkulation av kyl Luft, plus det utrymme som krävs för att tillåta lucköppning till minsta vinkel som tillåter borttagning av all intern utrustning

## 3.2 Placering

För att produkten ska fungera på bästa sätt bör du inte installera den på en plats med direkt solljus. Installera inte produkten i närheten av element eller spisar, ugnar eller hållar, såvida inte annat anges i installationsanvisningarna.

Se till att luft kan cirkulera fritt runt produktens baksida.

Den här produkten ska installeras i ett torrt, väl ventilerat rum inomhus.

Den här produkten är avsedd för användning i en omgivningstemperatur på 10°C–43°C °C.

**i** Korrekt funktion av produkten kan endast garanteras inom angivet temperaturområde.

**i** Om du är osäker på var du ska installera produkten kan du kontakta återförsäljaren, vår kundtjänst eller närmsta auktoriserade servicecenter.

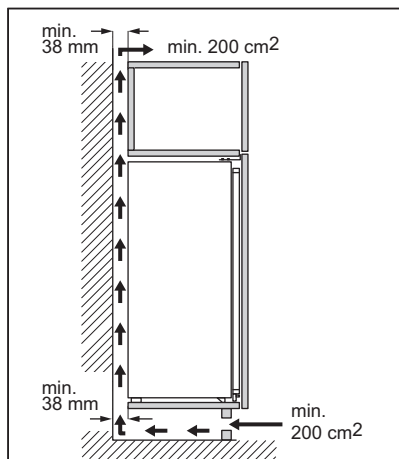
**i** Produkten måste kunna kopplas bort från elnätet. Stickkontakten måste därför vara lätt att komma åt när produkten har installerats.

## 3.3 Elanslutning

- Innan du ansluter produkten, se till att spänningen och frekvensen som visas på typskylten stämmer överens med nätspänningen i ditt hushåll.
- Produkten måste jordas. Nätkabeln är försedd med en kontakt för detta ändamål. Om nätspänningsmatningen inte är jordad, anslut produkten till en separat jordning enligt gällande bestämmelser. Rådfråga en kvalificerad elektriker för att göra detta.
- Tillverkaren fränsäger sig allt ansvar om ovanstående säkerhetsåtgärder inte iakttas.

## 3.4 Ventilationskrav

Luftflödet bakom produkten måste vara tillräckligt.



### ⚠ FÖRSIKTIGHET!

Se installationsanvisningarna angående installation.

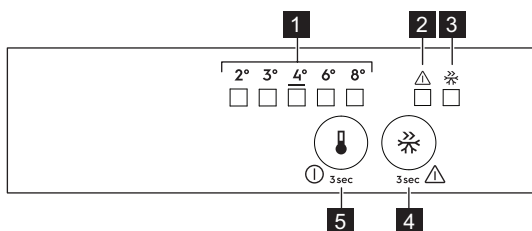
### 3.5 Omhängning av dörren

Se separata instruktioner om montering och omhängning av dörren.

### ⚠ FÖRSIKTIGHET!

Om du ska vända dörren, se alltid till att skydda golvet från repor med ett slitstarkt material.

## 4. KONTROLLPANEL



- 1** Temperaturindikator LED
- 2** Larm-indikator
- 3** FastFreeze-indikator
- 4** FastFreeze-knapp
- 5** Temperaturreglage PÅ/AV-knapp

### 4.1 Slå på

1. Sätt i stickkontakten i eluttaget.
2. Tryck på temperaturreglaget om alla LED-indikatorer är släckta.

### 4.2 Stänga av

Fortsätt trycka på temperaturreglaget i 3 sekunder.

Alla kontrollampor är släckta.

### 4.3 Temperaturreglering

Starta produkten genom att trycka på temperaturreglaget tills den LED som motsvarar önskad temperatur tänds. Valet är progressivt, det varierar mellan 2 och 8 °C. Rekommenderad inställning är 4 °C.

#### 1. Tryck på temperaturreglaget.

Indikatorn för aktuell temperatur blinkar. Varje gång du trycker på temperaturreglaget ändras inställningen ett steg. Motsvarande LED blinkar ett tag.

#### 2. Tryck på temperaturreglaget tills önskad temperatur valts.

**i** Den inställda temperaturen uppnås inom 24 timmar. Den inställda temperaturen förblir sparad efter ett strömavbrott.

## 4.4 FastFreeze-funktion

FastFreeze-funktionen används för förfrysning och snabbfrysning i följd i frysfacket. Den här funktionen accelererar infrysningen av färska livsmedel och skyddar på samma gång maten som redan finns i frysen från att bli för varm.

**i** För frysning av färska livsmedel, aktivera funktionen FastFreeze minst 24 timmar innan maten läggs till förfrysning.

För att aktivera FastFreeze-funktionen, tryck på FastFreeze-knappen. FastFreeze-indikatorn tänds.

**i** Denna funktion stängs av automatiskt efter 52 timmar.

Du kan när som helst stänga av funktionen genom att trycka på FastFreeze-knappen igen. FastFreeze-indikatorn släcks.

## 4.5 Larm för öppen dörr

Om kylskåpsdörren lämnas öppen i cirka 5 minuter hörs en ljudsignal och larmindikatorn blinkar.

Under larmet kan ljudsignalen stängas av genom att vilken knapp som helst trycks in. Ljudsignalen stängs av automatiskt efter ca en timma för att inte störa.

Larmet avaktiveras när dörren har stängts.

## 4.6 Larm för hög temperatur

Vid en temperaturökning i frysfacket (t.ex. på grund av ett tidigare strömavbrott) blinkar frysfackets indikator och en ljudsignal avges. Tryck på valfri knapp för att stänga av ljudet.

Larmindikatorn fortsätter att blinka tills normala förhållanden har återställts.

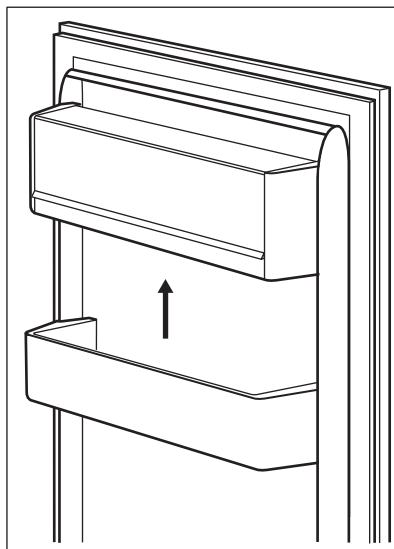
Om du inte trycker på någon knapp stängs ljudet av automatiskt efter cirka en timma för att inte störa.

# 5. DAGLIG ANVÄNDNING

## 5.1 Placering av dörrhyllorna

Dörrhyllorna kan placeras på olika höjdnivåer för att rymma matförpackningar av olika storlek.

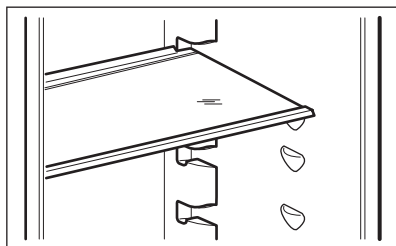
1. Dra hyllan successivt uppåt tills den lossnar.
2. Placera efter önskemål.



## 5.2 Flyttbara hyllor

Väggarna i kylskåpet är försedda med ett antal bärare så att hyllorna kan placeras enligt önskemål.





**i** För att behålla korrekt luftcirkulation ska inte glashyllan placeras ovanför grönsakslådan.

### 5.3 Grönsakslåda

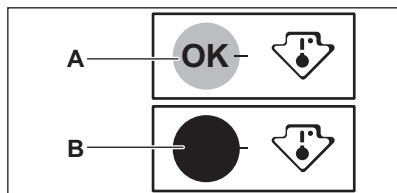
Det finns en särskild låda längst ner som är lämplig för förvaring av frukt och grönsaker.

### 5.4 Temperaturindikator

Kylskåpet är försett med temperaturindikator så att du förvarar matvarorna rätt. Symbolen på sidoväggen indikerar kylskåpets kallaste område.

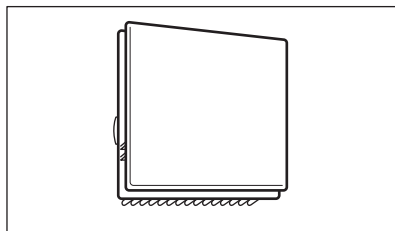
Om OK visas (A), kan du placera färsk mat i det område som anges av symbolen, om inte (B), vänta minst 12 timmar och kontrollera om det är OK (A).

Om det fortfarande inte är OK (B) justerar du inställningsratten till en kallare inställning.



### 5.5 Fläkt

I kylan finns en enhet för snabb nedkylning av matvaror och för att hålla en jämnare temperatur i kylfacket.



Denna enhet aktiveras automatiskt vid behov.

**i** Fläkten är bara igång när dörren är stängd.

**i** Ta inte bort gallret från fläkten.

### 5.6 Frysa färsk mat

Frysfacket är lämpligt för infrysning av färsk mat och långvarig förvaring av fryst och djupfrysta mat.

För att frysa in färsk matvaror, aktivera FastFreeze-funktionen minst 24 timmar innan livsmedlet som ska frysas placeras i frysfacket.

Förvara den färska maten jämnt fördelad i första facket eller lådan uppfifrån.

Den största mängd mat som kan frysas in utan att lägga till mer mat inom 24 timmar anges på typskylten (en etikett som finns på insidan av frysen).

När infrysningen är klar återgår frysen automatiskt till föregående temperaturinställning (se "FastFreeze-funktionen").

**i** I detta tillstånd kan temperaturen i kylskåpet förändras något.

För mer information, se "Tips för infrysning".

### 5.7 Förvaring av fryst mat

Vid första uppstart eller efter ett uppehåll i avstängt läge: låt apparaten vara påslagen i minst tre timmar med funktionen FastFreeze aktiverad innan du lägger in produkter i facket.

Frysådorna gör att du snabbt och enkelt hittar matvarorna.

Om stora mängder mat ska frysas kan alla lådor tas bort och matvarorna placeras på hyllorna.

Maten ska placeras minst 15 mm från dörren.



### FÖRSIKTIGHET!

I händelse av oavsiktlig avfrostning, t.ex. strömavbrott, och avbrottet varar längre än den tid som anges på typskylten under "Temperaturökningstid", måste upptinade matvaror användas eller tillagas omedelbart och sedan svalna och frysas in på nytt. Se "Larm för hög temperatur".

## 5.8 Upptining

Djupfrost eller fryst mat kan, innan den konsumeras, tinas i kylen eller i en plastpåse under kallt vatten.

Detta beror på den tillgängliga tiden och vilken typ av mat. Små bitar kan tillagas om de är frysta.

## 5.9 Tillverkning av isbitar

Denna hushållsapparat är utrustad med en eller flera brickor för tillverkning av isbitar.



Använd inga metallinstrument för att plocka ut brickorna ur frysen.

1. Fyll dessa brickor med vatten.
2. Placera isbrickorna i frysfacket.

## 6. RÅD OCH TIPS

### 6.1 Tips för energibesparing

- Frys: Det är frysens interna konfiguration som säkerställer effektiv energianvändning.
- Kyl: Den mest effektiva energianvändningen säkerställs i konfigurationen med lådorna i kylskåpets nedre del och med hyllorna fördelade jämnt. Hur hyllorna i dörren är placerade påverkar inte energiförbrukningen.
- Öppna inte dörren för ofta och låt den inte stå öppen längre än nödvändigt.
- Frys: Ju kallare temperaturinställning, desto högre energiförbrukning.
- Kyl: Ställ inte in för hög temperatur för att spara energi om det inte behövs för matens egenskaper.
- Om omgivningstemperaturen är hög, temperaturreglaget är inställt på för låg temperatur och kylskåpet är fullt med matvaror, kan kompressorn fortsätta att arbeta, vilket kan leda till att frost eller is bildas på evaporatorn. I så fall ska temperaturreglaget ställas in på en högre temperatur för att den automatiska avfrostningen ska starta och för att på så sätt spara energi.
- Säkerställ god ventilation. Täck inte över ventilationsgaller eller hål.

### 6.2 Tips för infrysning

- Aktivera FastFreeze-funktionen minst 24 timmar innan du lägger in matvarorna i frysfacket.
- Före infrysning bör du slå in och försegla färska livsmedel i: aluminiumfolie, plastfolie, plastpåsar eller lufttäta behållare med lock.
- Dela upp maten i mindre portioner för effektivare infrysning och upptining.
- Det är bra att sätta etiketter och datum på all fryst mat. Detta hjälper till att identifiera maten och veta när den bör ätas.
- Maten ska vara färsk när den fryses in för att bevara den goda kvaliteten. Särskilt frukt och grönsaker ska frysas efter skörd för att alla näringsämnen ska bevaras.
- Frys inte in flaskor eller burkar med vätska, särskilt inte de som innehåller kolsyra – de kan explodera i frysen.
- Ställ inte in varm mat i frysfacket. Låt varm mat svalna till rumstemperatur innan den läggs in i frysen.
- Undvik att placera icke fryst mat precis bredvid mat som redan frysts in, för att undvika att den frysta maten värms upp. Lägg in färsk icke fryst mat i den del av frysen där det inte finns någon fryst mat.

- Ät inte isbitar eller isglass direkt efter att du har tagit ut dem ur frysen. Det finns risk för frostsador.
- Frys inte om mat som har tinat. Om maten har tinat, så tillaga den, låt den svalna och frys därefter in den.

### 6.3 Tips för förvaring av fryst mat

- Frysfacket är det som är markerat med 
- Temperaturinställningen Medium garanterar god konservering av fryst mat. Högre temperaturinställning kan leda till kortare hållbarhet.
- Hela frysfacket är lämpligt för förvaring av frysta livsmedelsprodukter.
- Se till att det finns tillräckligt med utrymme runt maten så att luft kan cirkulera fritt.
- För korrekt förvaring, se etiketten på livsmedelsförpackningar där livsmedlets hållbarhet står.
- Det är viktigt att förpacka maten på ett sådant sätt att vatten, fukt eller kondens inte kan komma in.

### 6.5 Hållbarhet i frysfacket

Typ av mat	Hållbarhet (månader)
Bröd	3
Frukt (ej citrus)	6 - 12
Grönsaker	8 - 10
Rester utan kött	1 - 2
<b>Mejeriprodukter:</b>	
Smör	6 - 9
Mjuk ost (t.ex. mozzarella)	3 - 4
Hård ost (t.ex. parmesan, cheddar)	6
<b>Skaldjur:</b>	
Fet fisk (t.ex. lax, makrill)	2 - 3
Mager fisk (t.ex. torsk, flundra)	4 - 6
Räkor	12
Musslor utan skal	3 - 4
Tillagad fisk	1 - 2
<b>Kött:</b>	

### 6.4 Shoppingtips

När du har handlat mat:


- Se till att förpackningen är hel - annars kan maten bli dålig. Om förpackningen har svällt eller är våt, kanske det inte har förvarats under optimala förhållanden och upptining kan ha börjat.
- För att undvika att fryst mat börjar tina ska du köpa frysta varor precis innan du lämnar livsmedelsbutiken och transportera dem i en termisk och isolerad kylväska.
- Lägg omedelbart in den frysta maten i frysen när du har kommit tillbaka från butiken.
- Om maten har tinat helt eller bara lite, får den inte frysas om igen. Ät den så snart som möjligt.
- Respektera sista förbrukningsdag och förvaringsinformationen på förpackningen.

Typ av mat	Hållbarhet (månader)
Fågel	9 - 12
Nötkött	6 - 12
Fläskkött	4 - 6
Lamm	6 - 9
Korv	1 - 2
Skinka	1 - 2
Rester med kött	2 - 3

## 6.6 Tips för kylning av färska matvaror

- Bra temperaturinställning som säkerställer bra förvaring av färsk mat är en temperatur lägre än eller exakt +4 °C. Högre temperaturinställning inuti produkten kan leda till kortare hållbarhet av matvarorna.
- Täck alltid maten för att bevara färskheten och aromen.
- Använd alltid stängda behållare för vätskor och livsmedel för att undvika smaker eller lukt i kylen.
- För att undvika korskontaminering mellan tillagad och rå mat, ska den tillagade maten täckas och separeras från den råa maten.
- Det bästa är att tina maten i kylen.
- Ställ inte in varm mat i kylskåpet. Se till att den har svalnat vid rumstemperatur innan du sätter in den.
- För att förhindra att mat kastas bör ny mat alltid placeras bakom den gamla.

## 6.7 Kylning av mat

- Facket för färsk mat är det som markerats (på typskylten) med .

- Kött (alla typer): lägg i lämplig förpackning och placera på glashyllan ovanför grönsakslådan. Förvara kött i högst 1–2 dagar.
- Frukt och grönsaker: rengör noggrant (ta bort jord) och lägg dem i en särskild låda (grönsakslåda).
- Exotiska frukter som banan, mango, papaya osv. ska helst inte förvaras i kylskåpet.
- Grönsaker som tomater, potatis, lök och vitlök ska inte förvaras i kylskåpet.
- Smör och ost: lägg i en lufttät behållare eller vira in i aluminiumfolie eller en plastpåse för att få ut så mycket luft som möjligt.
- Flaskor: sätt på kapsyl och sätt dem i dörens flaskhylla eller (om tillgängligt) i flaskstället.
- Titta alltid på livsmedlens utgångsdatum för att veta hur länge de kan förvaras.

# 7. UNDERHÅLL OCH RENGÖRING

## VARNING!

Se avsnitten om säkerhet.

## 7.1 Invändig rengöring

För att få bort den typiska lukten hos nya produkter bör produkten rengöras invändigt och alla invändiga tillbehör bör tvättas av med ljummet vatten och lite neutralt diskmedel

samt torkas ordentligt före den första användningen.

## FÖRSIKTIGHET!

Använd inte starka rengöringsmedel, putsmedel, klorin eller oljebaserade rengöringsmedel eftersom de kan skada ytorna.

## FÖRSIKTIGHET!

Tillbehör och andra delar av produkten är inte avsedda att diskas i maskin.

### 7.2 Regelbunden rengöring

Utrustningen måste rengöras med jämna mellanrum:

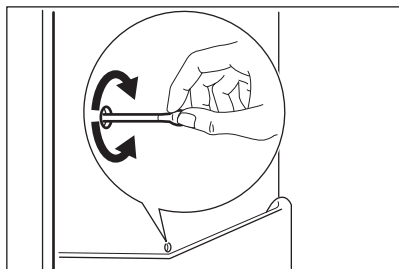
1. Rengör kylens/frysens insida och alla tillbehör med ljummet vatten och en liten mängd neutral såpa.
2. Inspektera regelbundet dörrtätningarna och torka dem rena från eventuell smuts.
3. Skölj av och torka noggrant.

### 7.3 Avfrostning av kylskåpet

Frost elimineras automatiskt från kylskåpets förångare vid normal användning. Vatten från avfrostningen rinner ut via en ränna i en speciell behållare på skåpets baksida ovanför kompressorn och förångas därifrån.

Det är viktigt att regelbundet rengöra tömningshålet för smältvatten i kylskåpet för att undvika att vatten rinner över och droppar på matvarorna i skåpet.

Använd rengöringshjälpmedlet som medföljer för detta ändamål.




### 7.4 Avfrosta frysen

## FÖRSIKTIGHET!

Använd aldrig vassa metallverktyg för att skrapa bort frost och is från förångaren eftersom den kan skadas.

Använd inte mekaniska verktyg eller andra metoder utöver de som rekommenderas av tillverkaren för att påskynda avfrostningen.

Använd inte den medföljande isskrapan i matlagning.

-  Ställ in en lägre temperatur cirka 12 timmar före avfrostningen för att bygga upp en tillräcklig kylreserv för eventuella driftavbrott.

En viss mängd frost bildas alltid på fryshyllorna och omkring det övre facket.

Avfrosta frysen när frostlagrets tjocklek uppgår till cirka 3–5 mm.

1. Stäng av produkten eller dra ut kontakten från eluttaget.
2. Ta bort livsmedel från produkten och lägg dem på en sval plats.

## FÖRSIKTIGHET!

Hållbarheten för de frysta matvarorna kan försämrans om deras temperatur ökar under avfrostningen.

Ta inte i fryst mat med våta händer. Händerna kan frysa fast på varorna.

3. Låt dörren stå öppen. Skydda golvet från avfrostningsvattnet med en trasa eller en låg form.
4. Avfrostningen kan påskyndas genom att en skål med varmt vatten placeras i frysacket. Lösa isbitar kan tas bort med en isskrapa innan avfrostningen avslutas. Använd medföljande isskrapan för det.
5. Torka av frysacket invändigt efter avfrostningen. Spara skrapan för framtida bruk.
6. Starta produkten och stäng dörren.
7. Ställ in temperaturreglaget på högsta kyleffekt och låt produkten stå i minst tre timmar med denna inställning.

Därefter kan matvarorna läggas tillbaka i frysacket.

## 7.5 Långa uppehåll

Följ nedanstående anvisningar om produkten inte skall användas på länge:

1. Dra ut kontakten från eluttaget.
2. Ta ur alla matvaror.
3. Avfrostas produkten.
4. Rengör produkten och alla tillbehör.
5. Låt dörarna stå öppna för att undvika att dålig lukt bildas.

## 8. FELSÖKNING

### **VARNING!**


Se avsnitten om säkerhet.

### 8.1 Vad gör jag om...

Problem	Möjlig orsak	Lösning
Produkten fungerar inte.	Produkten är avstängd.	Sätt på apparaten.
	Stickkontakten sitter inte ordentligt i eluttaget.	Anslut stickkontakten ordentligt i eluttaget.
	Det finns ingen spänning i eluttaget.	Anslut en annan produkt till eluttaget. Kontakta en behörig elektriker.
Produkten är högljud.	Produkten har inte ordentligt stöd.	Kontrollera att produkten står stadigt.
Ljudligt eller visuellt larm är på.	Produkten har nyligen satts på.	Se "Larm för hög temperatur" eller "Larm för öppen dörr".
	Temperaturen i produkten är för hög.	Se "Larm för hög temperatur" eller "Larm för öppen dörr".
	Dörren är öppen.	Stäng dörren.
Kompressorn arbetar kontinuerligt.	Temperaturen är felaktigt inställd.	Se kapitel "Kontrollpanel".
	Mycket matvaror har lagts in samtidigt.	Vänta några timmar och kontrollera sedan temperaturen igen.
	Rumstemperaturen är för hög.	Se kapitel "Installation".
	Alltför varma matvaror har lagts in.	Låt matvarorna svalna till rumstemperatur innan de läggs in.
	Dörren är inte ordentligt stängd.	Se avsnitt "Stänga luckan".
	FastFreeze-funktionen är påslagen.	Se avsnittet "FastFreeze-funktion".

<b>Problem</b>	<b>Möjlig orsak</b>	<b>Lösning</b>
Kompressorn startar inte omedelbart när "FastFreeze" trycks in eller när temperaturen ändras.	Kompressorn startar efter en stund.	Detta är normalt, det har inte uppstått något fel.
Dörren är felinriktad eller stör ventilationsgallret.	Produkten står inte plant.	Se installationsanvisningarna.
Det är svårt att öppna dörren.	Du försökte öppna dörren direkt efter att den har stängts.	Vänta några sekunder med att öppna dörren efter att den har stängts.
Belysningen fungerar inte.	Lampan är i viloläge.	Stäng och öppna dörren.
	Lampan är trasig.	Kontakta närmaste auktoriserade serviceverkstad.
Det är för mycket frost och is.	Dörren är inte ordentligt stängd.	Se avsnitt "Stänga luckan".
	Dörrtätningen är deformerad eller smutsig.	Se avsnitt "Stänga luckan".
	Matvaror är inte ordentligt förpackade.	Förpacka matvarorna bättre.
	Temperaturen är felaktigt inställd.	Se kapitel "Kontrollpanel".
	Produkten är full med matvaror och är inställd på den lägsta temperaturen.	Ställ in en högre temperatur. Se kapitel "Kontrollpanel".
Det rinner vatten på den bakre väggen i kylskåpet.	Produktens inställda temperatur är för låg och omgivningstemperaturen är för hög.	Ställ in en högre temperatur. Se kapitel "Kontrollpanel".
	Under den automatiska avfrostningen tinar frost på den bakre väggen.	Detta är normalt.
	Det finns för mycket kondensvatten på kylskåpets bakre vägg.	Dörren har öppnats för ofta.
Vatten rinner inne i kylskåpet.	Dörren har inte stängts ordentligt.	Kontrollera att dörren är ordentligt stängd.
	Matvaror som har lagts in är inte ordentligt förpackade.	Förpacka maten på lämpligt sätt innan den läggs in.
	Matvaror hindrar vattnet från att rinna in i vattenuppsamlaren.	Kontrollera att matvarorna inte vidrör den bakre väggen.
Vatten rinner ut på golvet.	Vattenutloppet är igentäppt.	Rengör vattenutloppet.
	Smältvattenutloppet är inte anslutet till avdunstningsbrickan ovanför kompressorn.	Anslut smältvattenutloppet till avdunstningsbrickan.

Problem	Möjlig orsak	Lösning
Det går inte att ställa in temperaturen.	FastFreeze-funktionen" är påslagen.	Stäng av FastFreeze-funktionen manuellt eller vänta tills funktionen stängs av automatiskt och ställ sedan in temperaturen. Se avsnittet "FastFreeze-funktion".
Temperaturen i skåpet är för låg/för hög.	Temperaturen är inte rätt inställd.	Ställ in en högre eller lägre temperatur.
	Dörren är inte ordentligt stängd.	Se avsnitt "Stänga luckan".
	Matvarornas temperatur är för hög.	Låt matvarorna svalna till rumstemperatur innan du lägger in dem i skåpet.
	Mycket matvaror har lagts in i skåpet samtidigt.	Lägg inte in så mycket matvaror samtidigt.
	Frosten är tjockare än 4–5 mm.	Avfrosta produkten.
	Dörren har öppnats ofta.	Öppna dörren endast när det behövs.
Vissa ytor i kylan är varmare ibland.	FastFreeze-funktionen är påslagen.	Se avsnittet "FastFreeze-funktion".
	Kalluft cirkulerar inte på insidan.	Kontrollera att kalluft cirkulerar inne i skåpet. Se kapitel "Råd och tips".
LED-indikatorerna för temperaturinställning blinkar samtidigt.	Ett fel har uppstått vid mätning av temperaturen.	Kontakta närmaste auktoriserade serviceverkstad. Kylfunktionen fortsätter att hålla matvarorna kyl- da men temperaturen kan inte ställas in.

 Kontakta närmaste auktoriserade serviceverkstad om dessa råd inte löser problemet.

## 8.2 Byte av LED-lampa

Produkten har en innerbelysning bestående av en LED-lampa med lång livslängd.

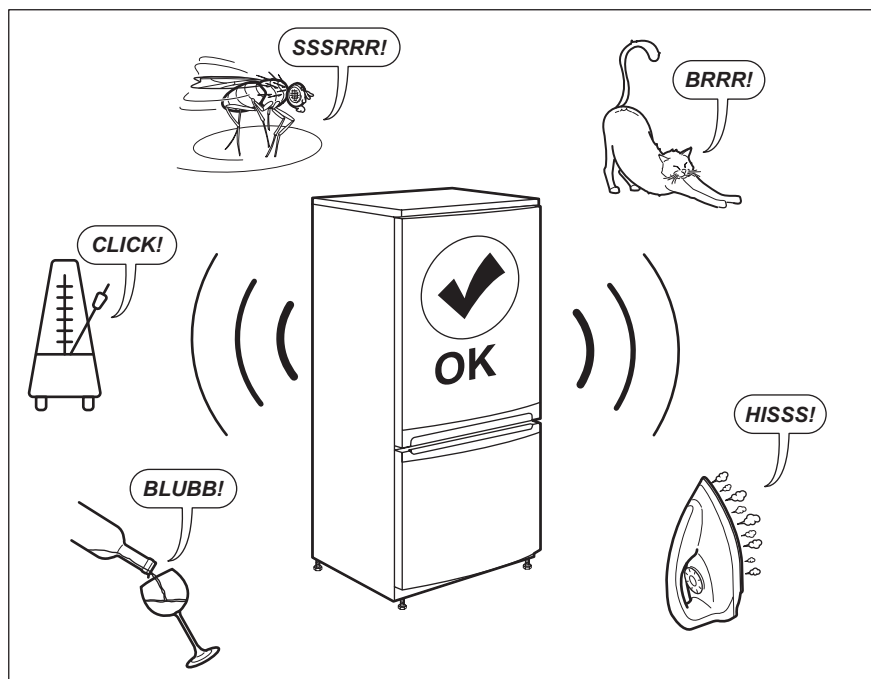
Utbyte av belysning måste utföras av servicetekniker. Kontakta en auktoriserad serviceverkstad.

## 8.3 Stänga luckan

1. Rengör dörrens tätningslist.
2. Justera dörren vid behov. Se installationsanvisningarna.
3. Byt vid behov ut defekt dörrtätninglist. Kontakta det auktoriserade servicecentret.



## 9. LJUD



## 10. TEKNISKA DATA

Den tekniska informationen anges på typskylten som sitter inne i kylskåpet samt på energimärkningsetiketten.

QR-koden på energimärkningsetiketten som levereras med produkten ger en webblänk till informationen i EU EPREL-databasen, relaterad till produktens prestanda. Förvara energimärkningsetiketten som referens tillsammans med användarhandboken och alla andra dokument som medföljer denna produkt.

Det går också att hitta samma information i EPREL med länken <https://eprel.ec.europa.eu> och modellnamnet och produktnumret som du hittar på produktens typskylt.


Se länken [www.theenergylabel.eu](http://www.theenergylabel.eu) för mer detaljerad information om energimärkningsetiketten.


## 11. INFORMATION FÖR TESTINSTITUT

Installation och förberedelse av produkten för all EcoDesign-verifiering ska överensstämja med EN 62552 (EU). Ventilationskrav, uttagsdimensioner och minsta bakre spel ska

vara som anges i denna bruksanvisning i "Installation". Kontakta tillverkaren för ytterligare information, inklusive hur man fyller på.

## 12. MILJÖSKYDD

Återvinn material med symbolen . Återvinn förpackningen genom att placera den i lämpligt kärl. Bidra till att skydda vår miljö och vår hälsa genom att återvinna avfall från elektriska och elektroniska produkter. Släng

inte produkter märkta med symbolen  med hushållsavfallet. Lämna in produkten på närmaste återvinningsstation eller kontakta kommunkontoret.





CE