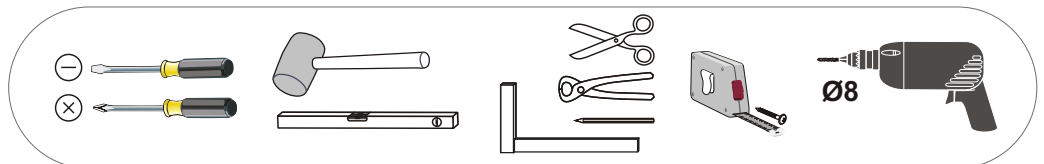
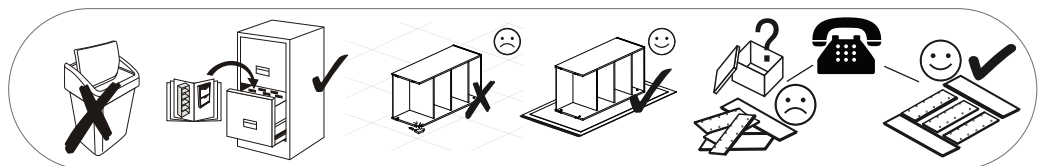
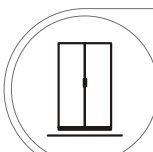
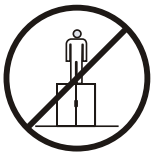
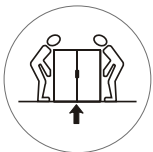
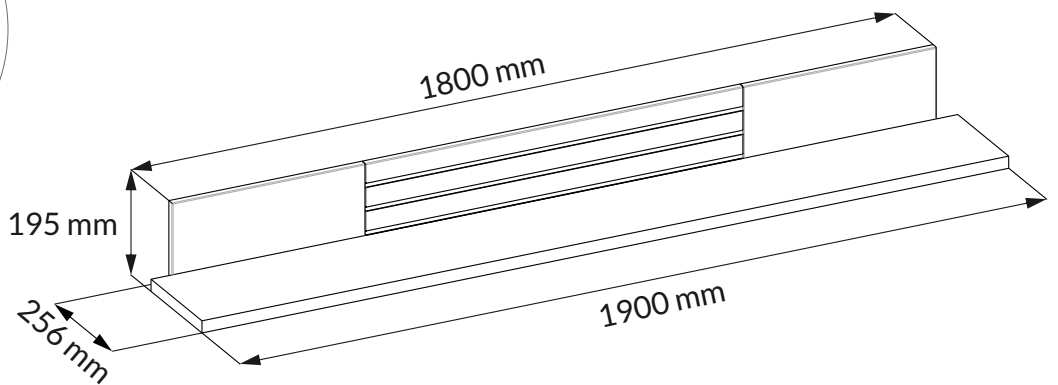
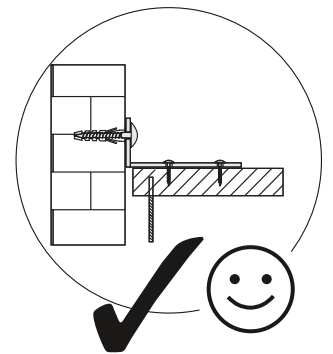
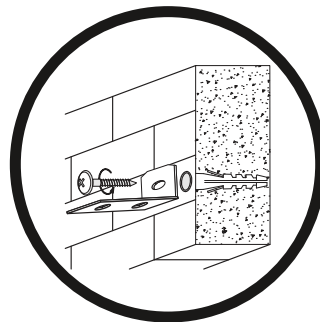
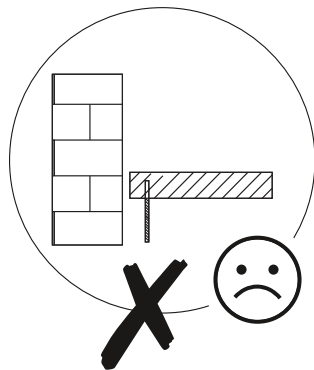
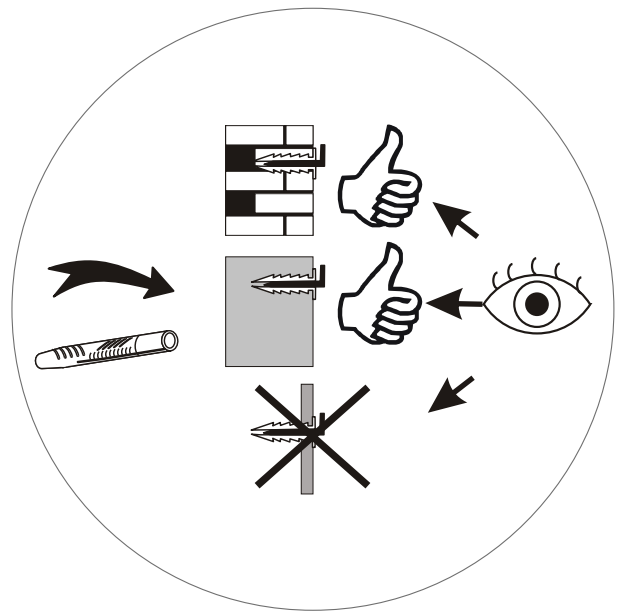
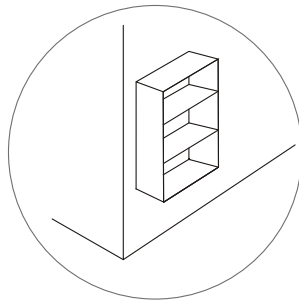
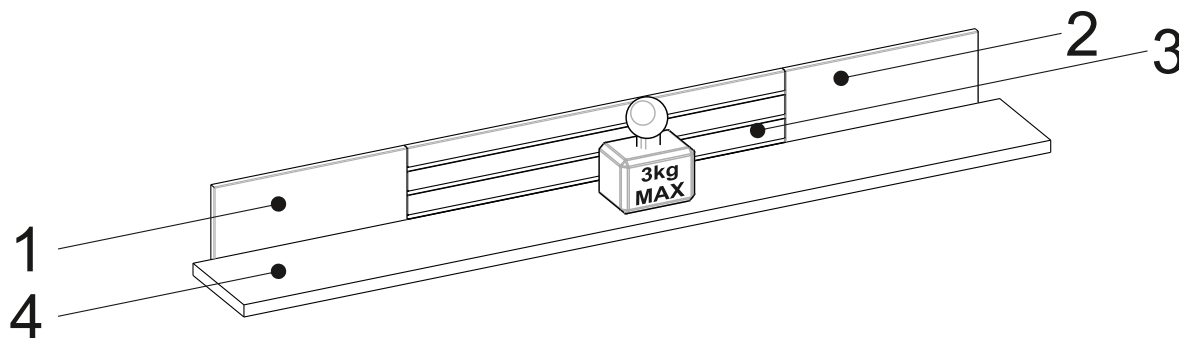


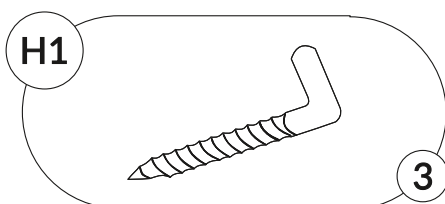
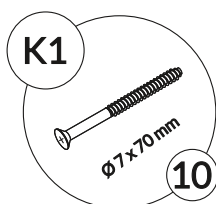
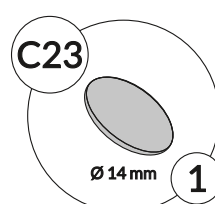
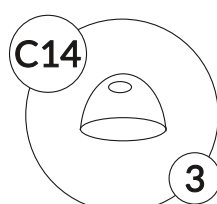
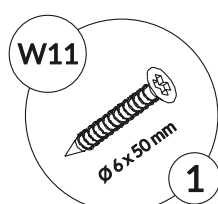
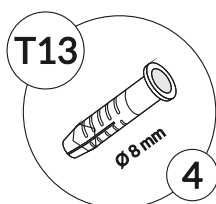
SANTIAGO 40 C3 HG 41



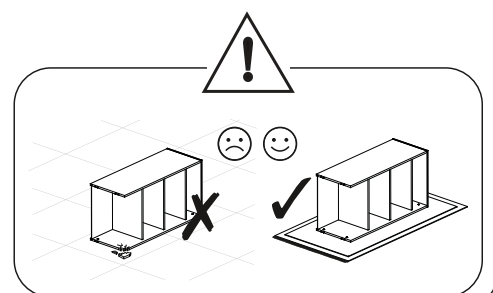
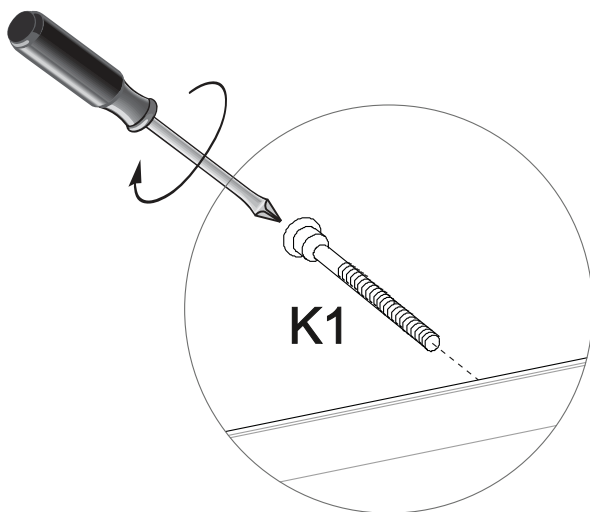
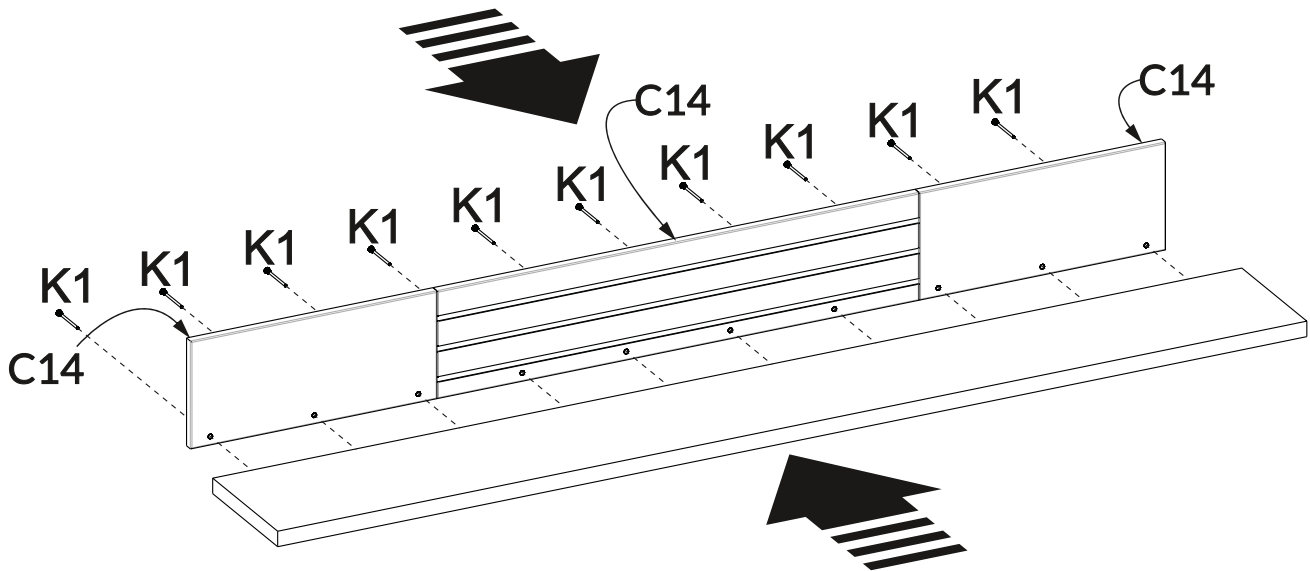
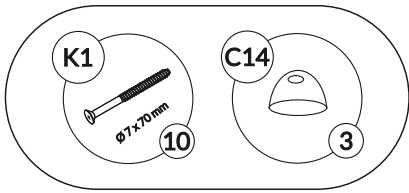




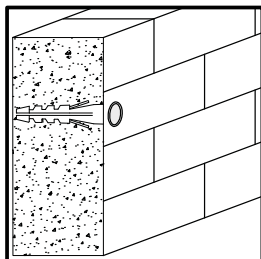
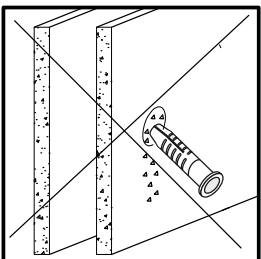
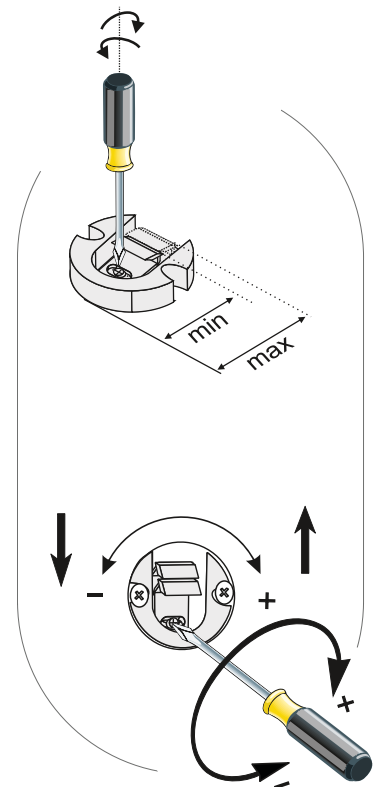
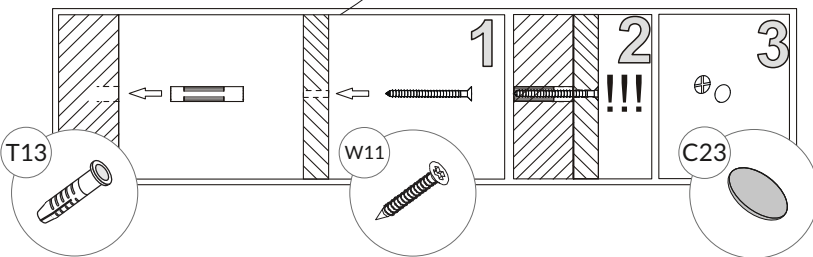
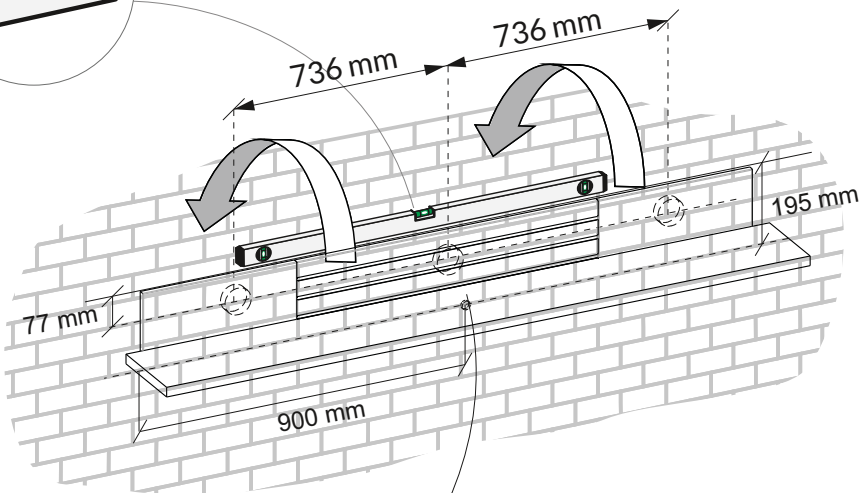
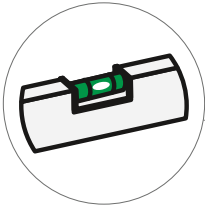
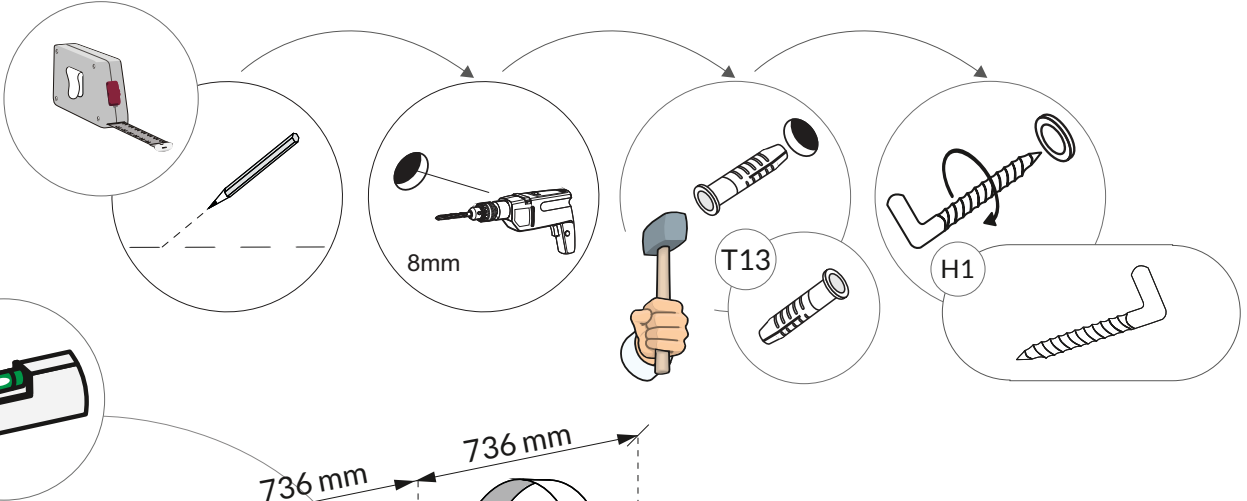
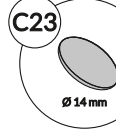
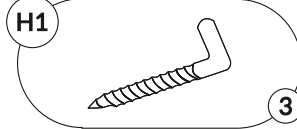
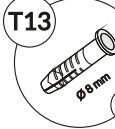
1	455	195	16	1
2	455	195	16	1
3	890	195	16	1
4	1900	240	28	1

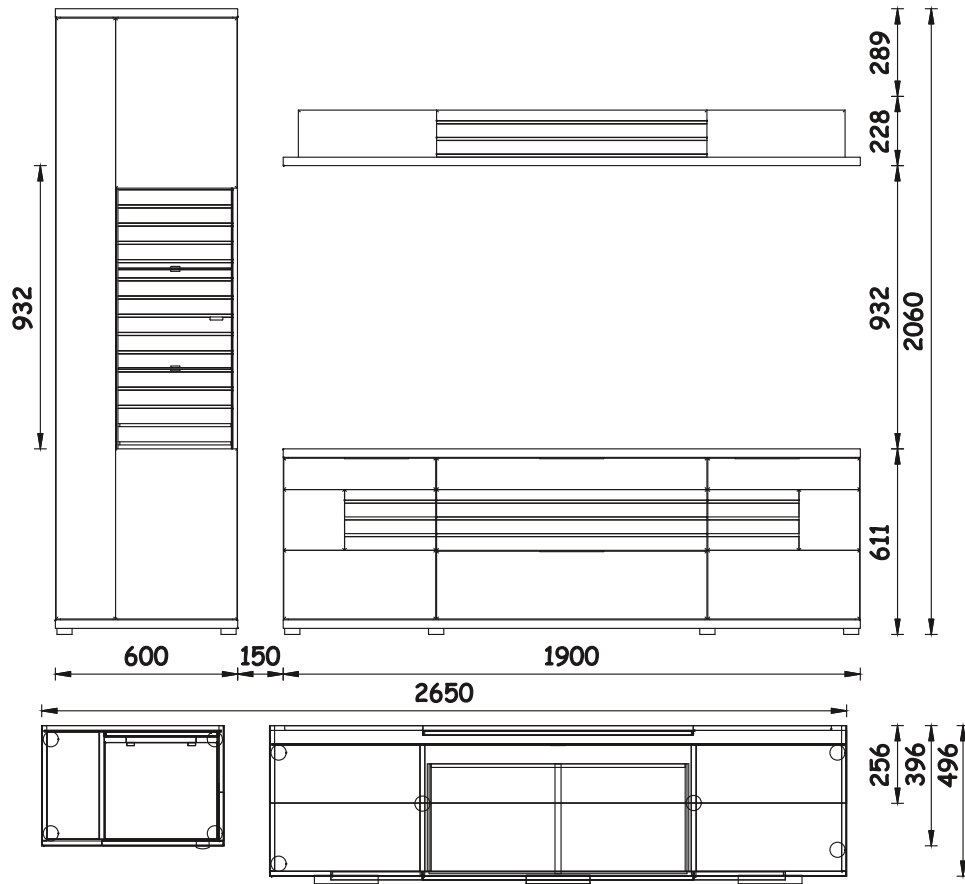


2

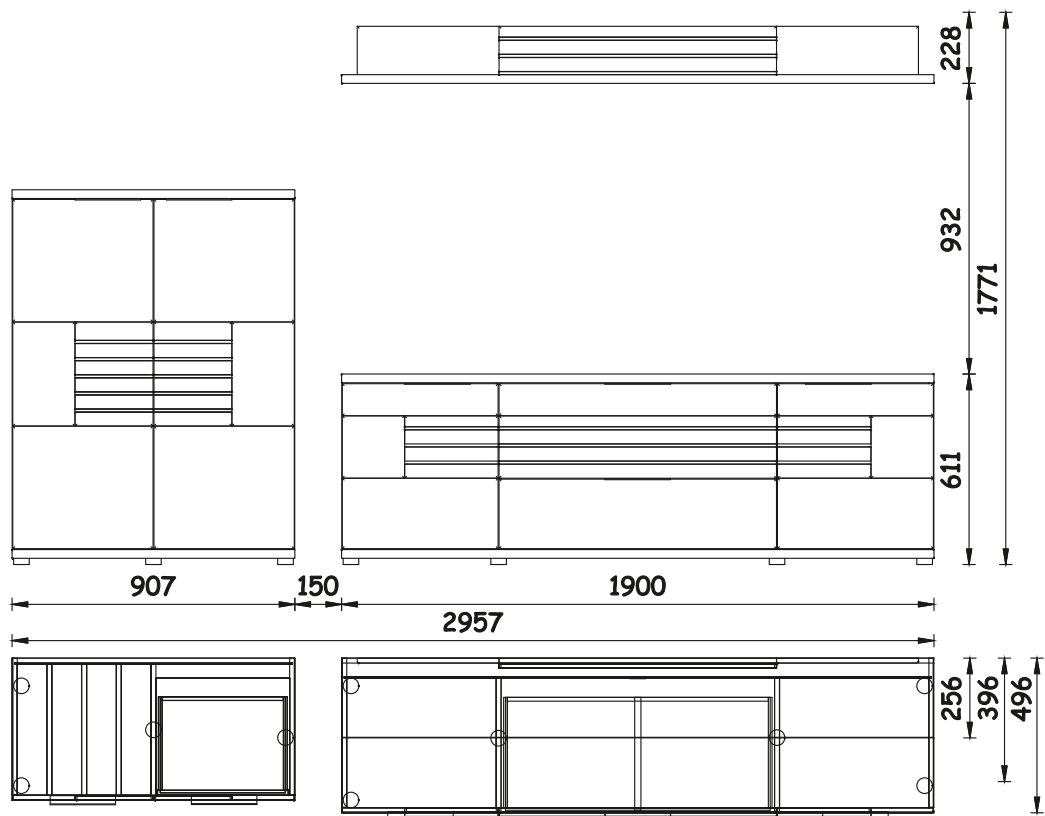


3

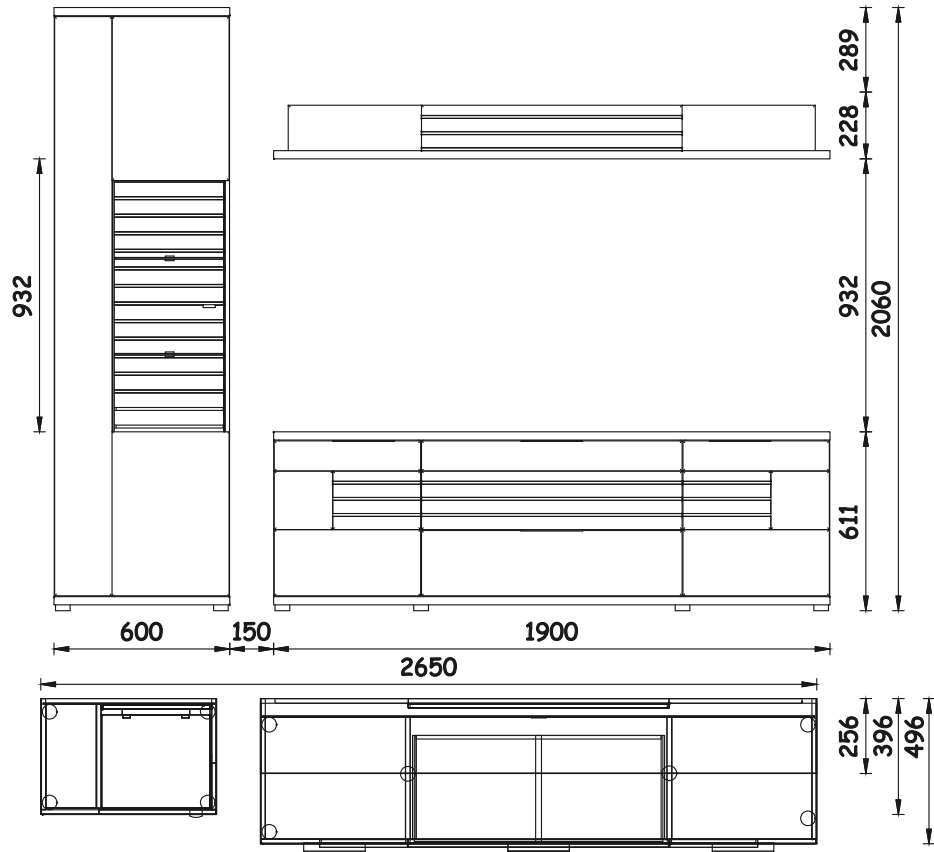




Kombination 80



Kombination 83



Kombination 90