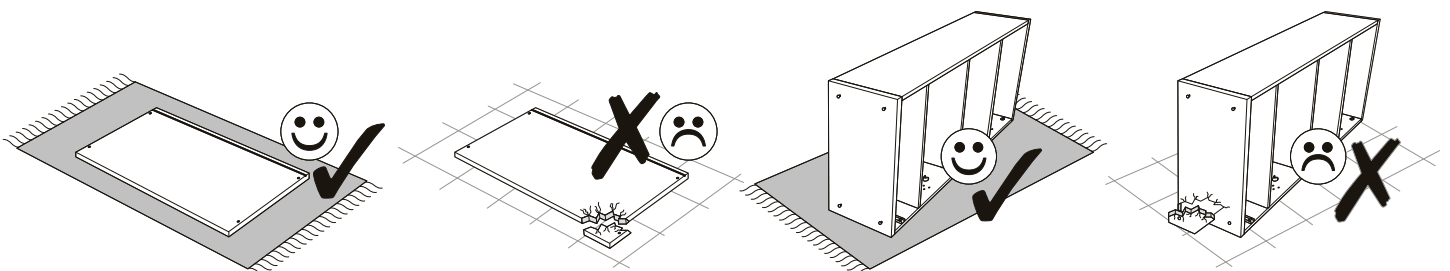
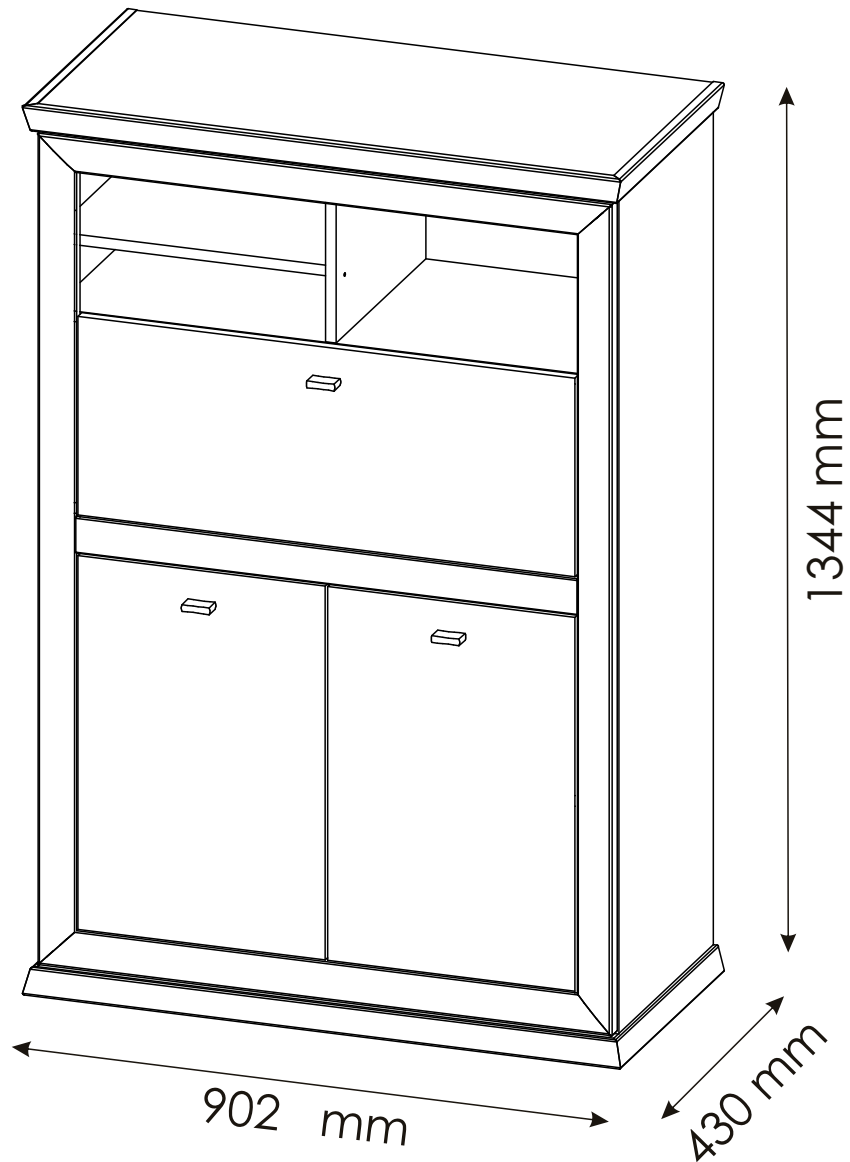
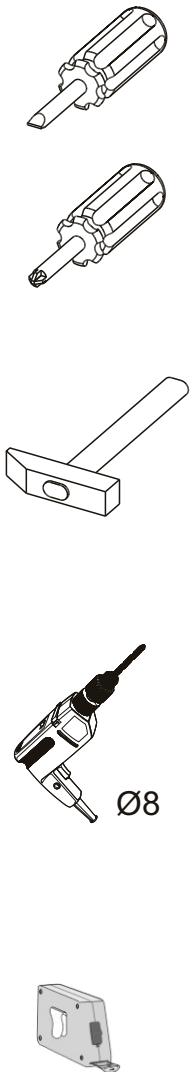
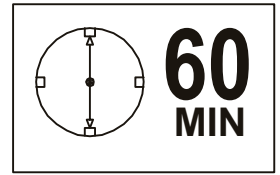
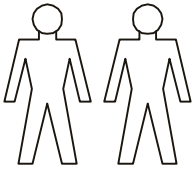
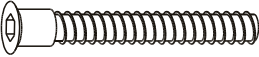






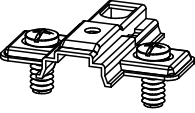
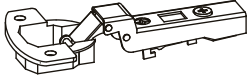
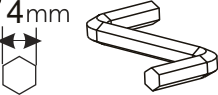




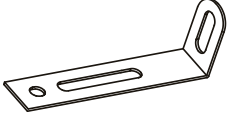
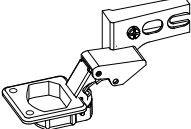
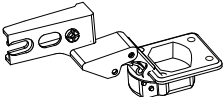
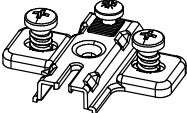
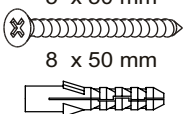
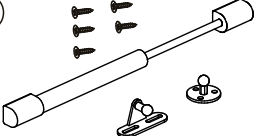
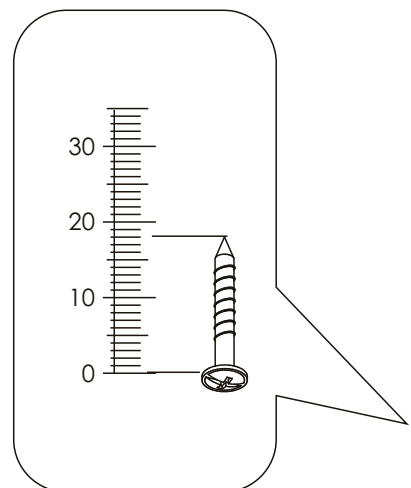
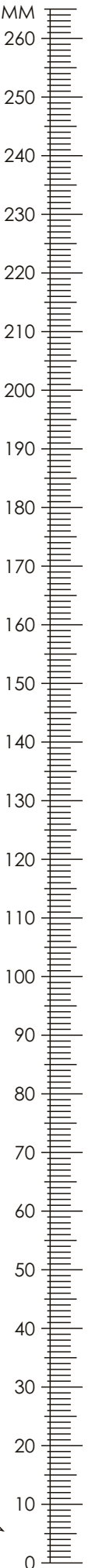



CAMRON - Sekretär

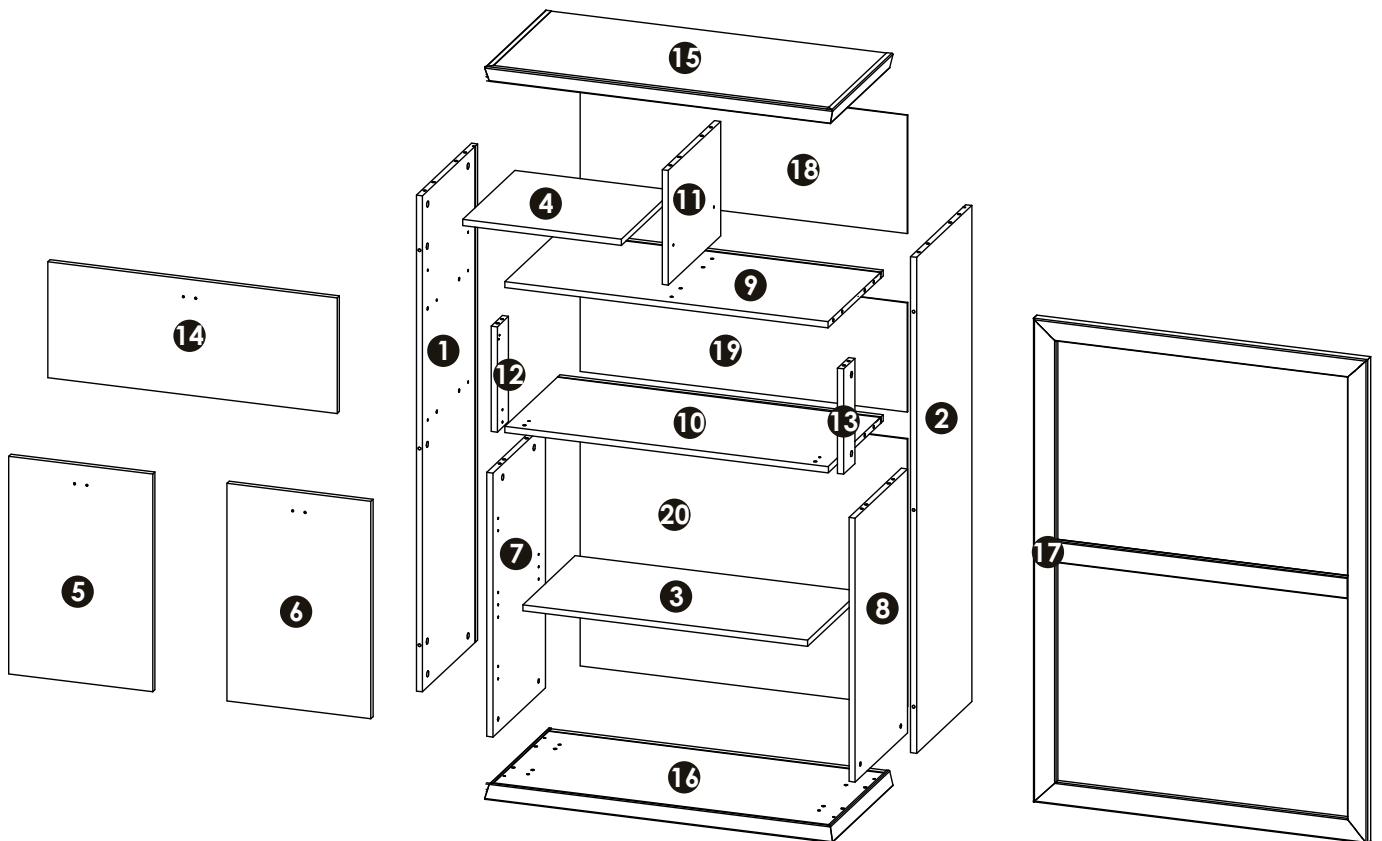


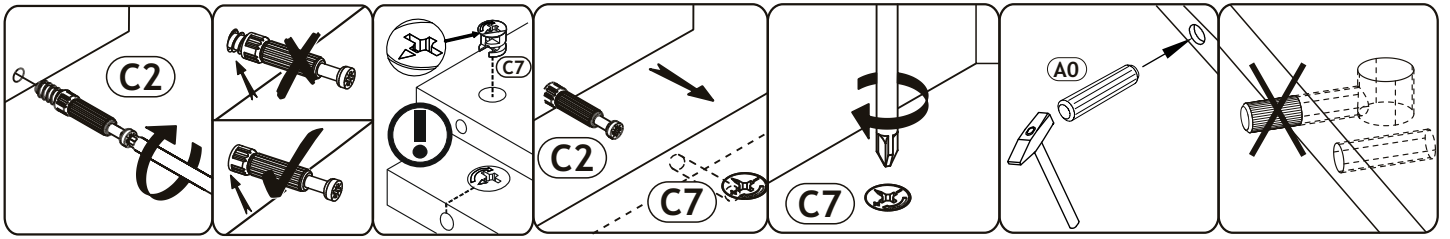
B1 f 7 x 50 mm 	x6	C0 	x11	C2 	x32
D0 3 x 15 mm 	x24	D10 4 x 16 mm 	x12	D21 5 x 13 mm 	x1
H6 4 x 22 mm 	x6	J3 	x4	J1 	x4
K 4mm 	x1	L6 	x3	M1 	x24
Q3 	x8	U2 	x6	P0 	x1
J42 	x1	J43 	x1	J44 	x2
E0 5 x 50 mm 8 x 50 mm 	x1	F0 	x2		



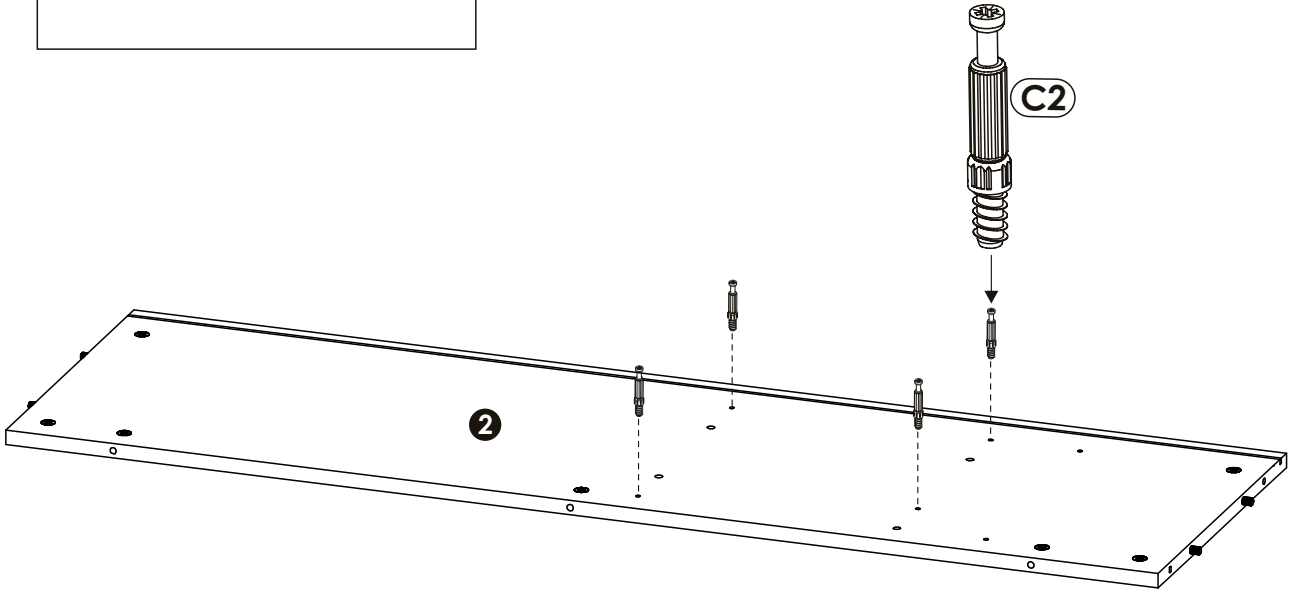
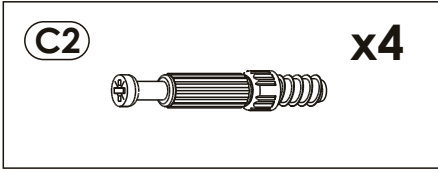
1	1286	393	16	1	1/4
2	1286	393	16	1	1/4
3	738	373	16	1	1/4
4	411	371	16	1	1/4
5	564	373	16	1	1/4
6	564	373	16	1	1/4
7	684	373	16	1	2/4
8	684	373	16	1	2/4
9	838	393	16	1	2/4
10	838	393	16	1	2/4
11	297	372	16	1	2/4

12	273	80	16	1	2/4
13	273	80	16	1	2/4
14	750	300	16	1	2/4
15	902	430	40	1	3/4
16	902	430	42	1	3/4
17	1254	866	25	1	4/4
18	848	307	3	1	4/4
19	848	283	3	1	4/4
20	848	694	3	1	4/4
21					2/4

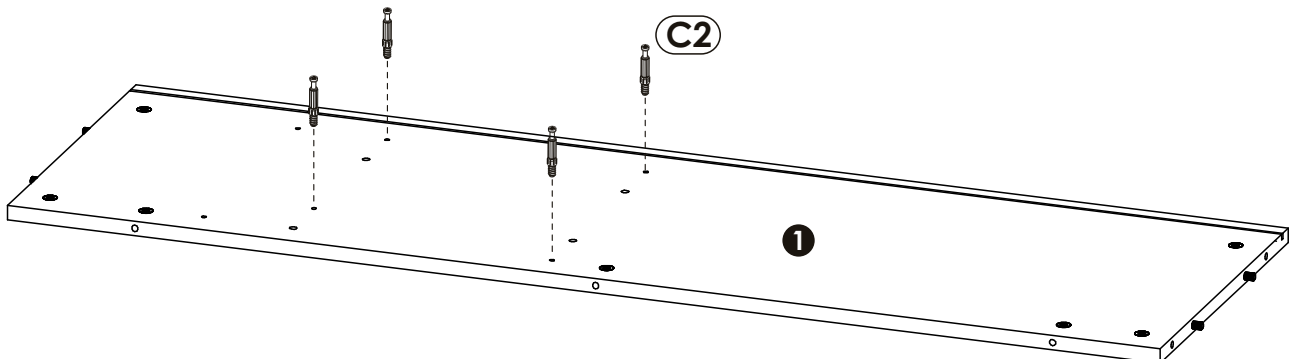
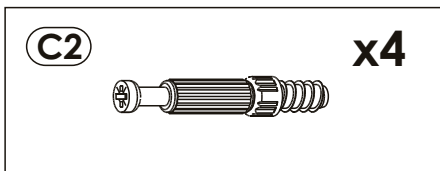




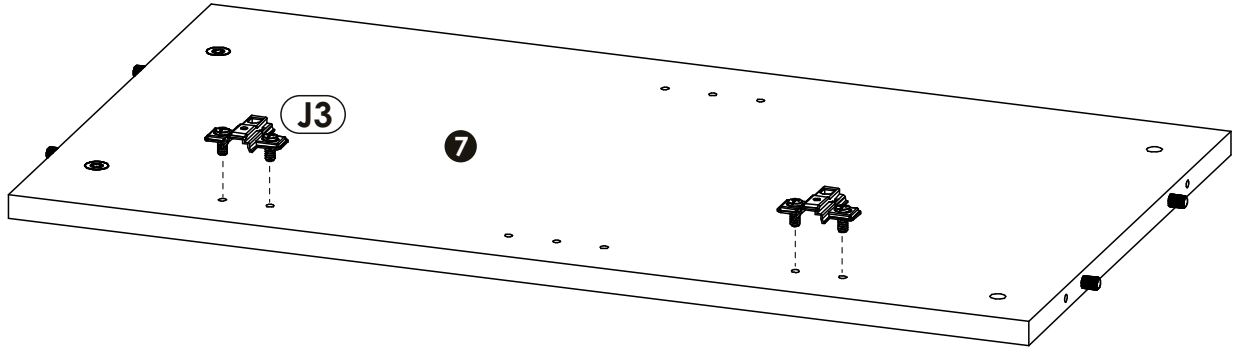
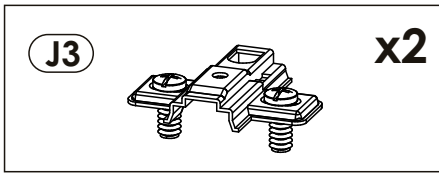
1



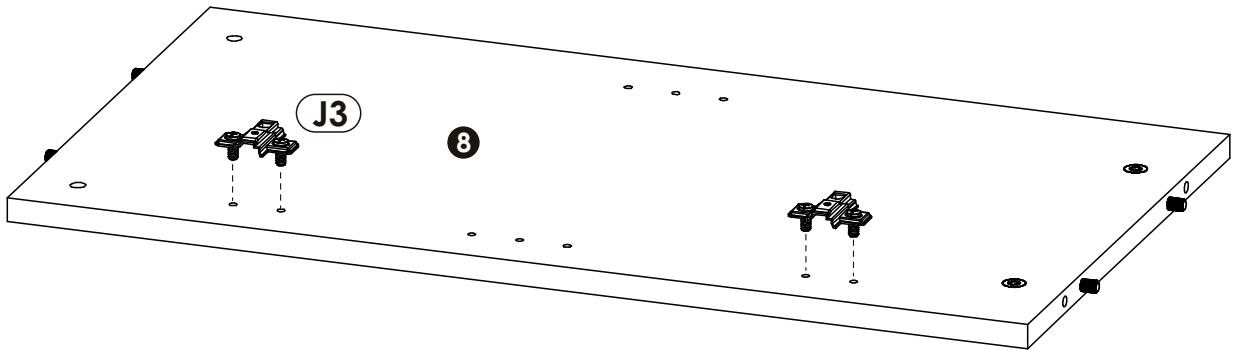
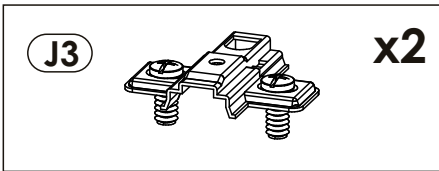
2



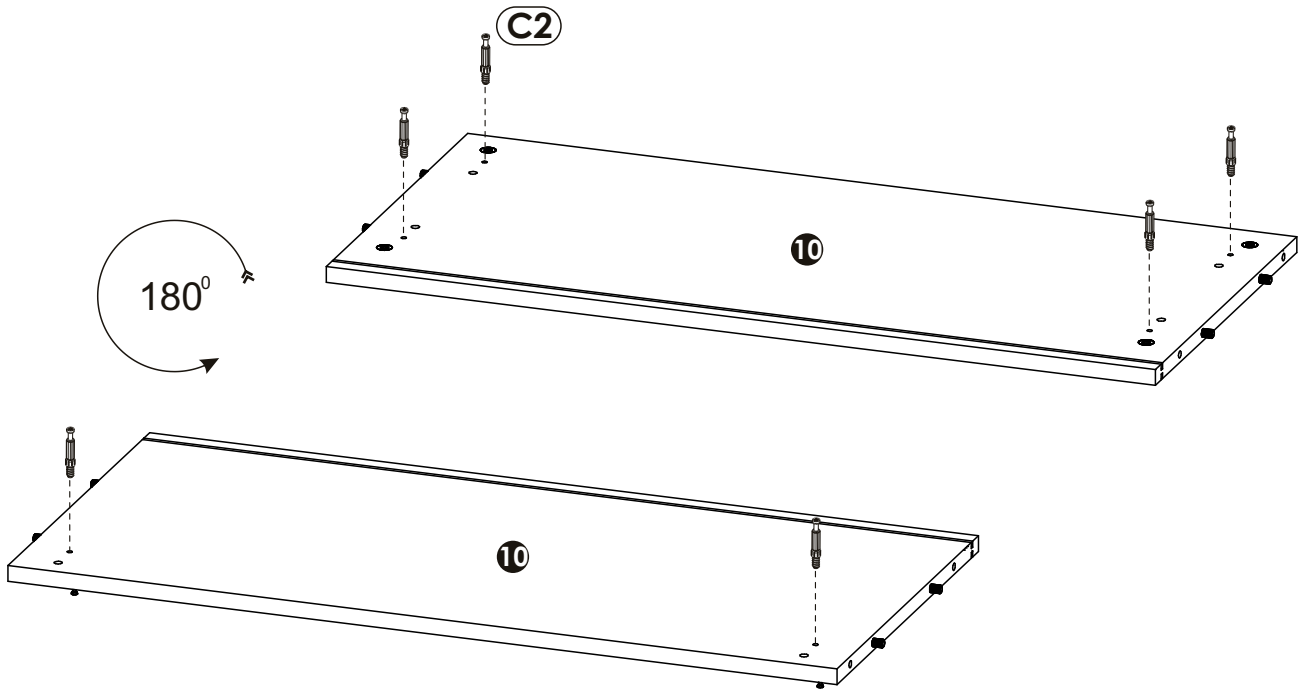
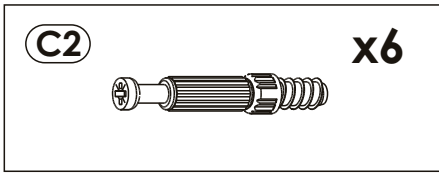
3



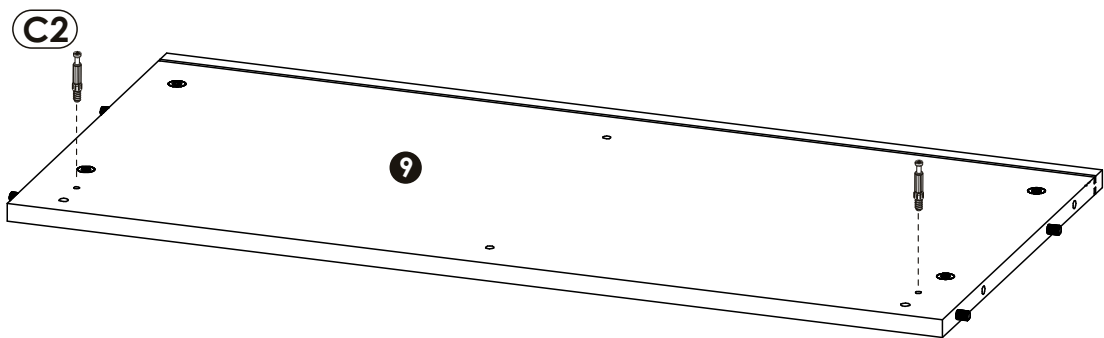
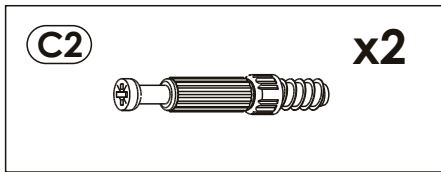
4



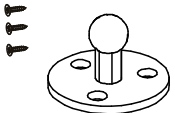
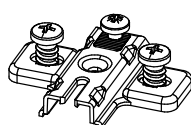
5

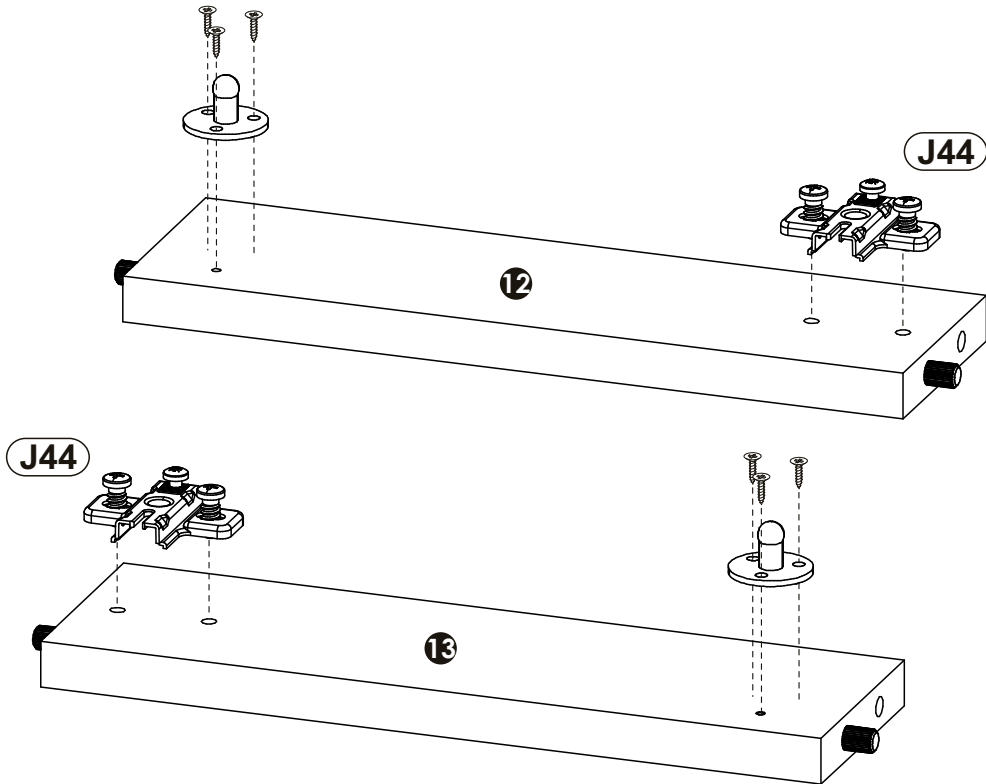


6

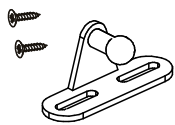

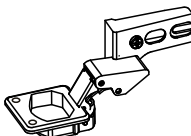
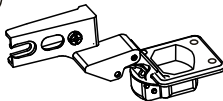


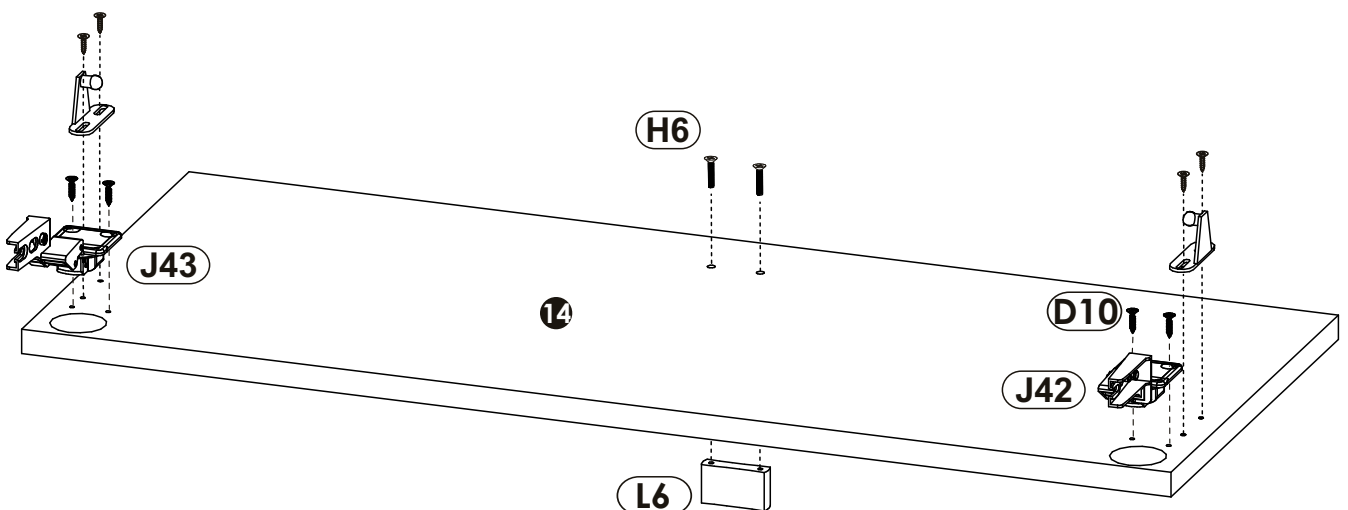
7

F0		x2	J44		x2
-----------	---	-----------	------------	---	-----------



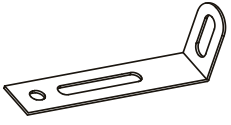


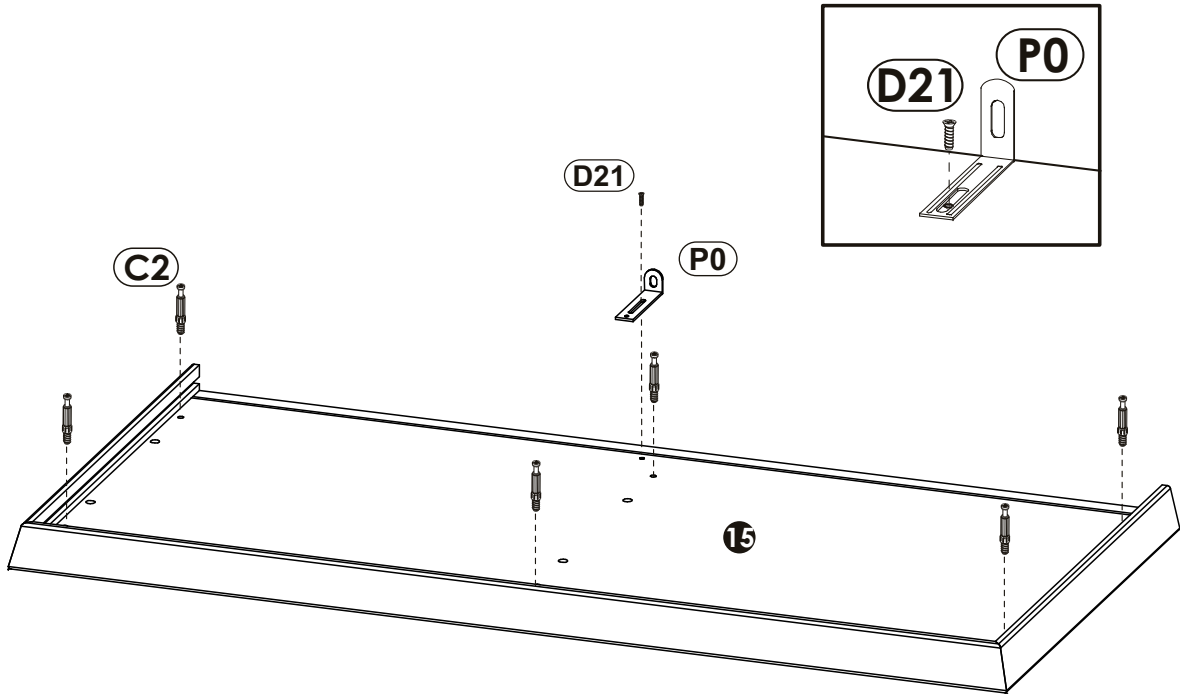
8

F0		x2	H6	4 x 22 mm	x2	L6		x1
J42		x1	J43		x1	D10	4 x 16 mm	x4





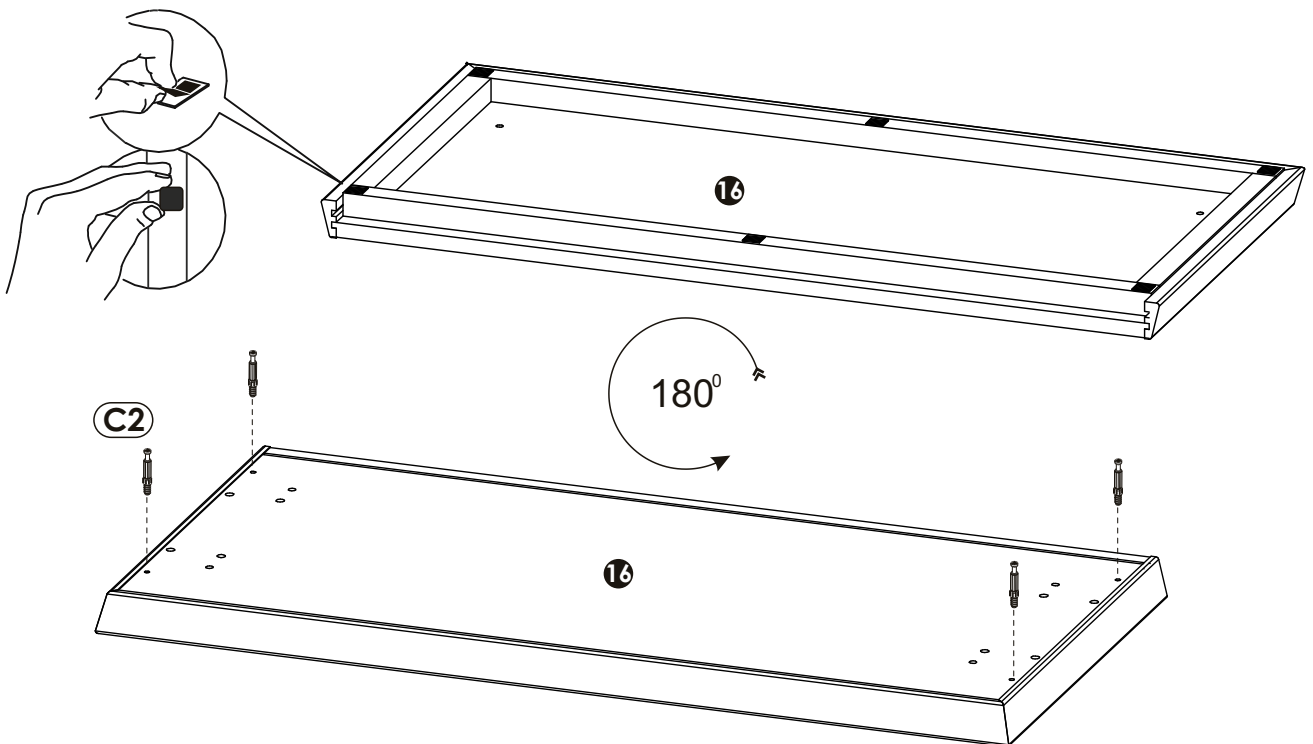
9

C2  x6	D21  5 x 13 mm x1	P0  x1
---	--	---

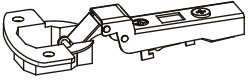





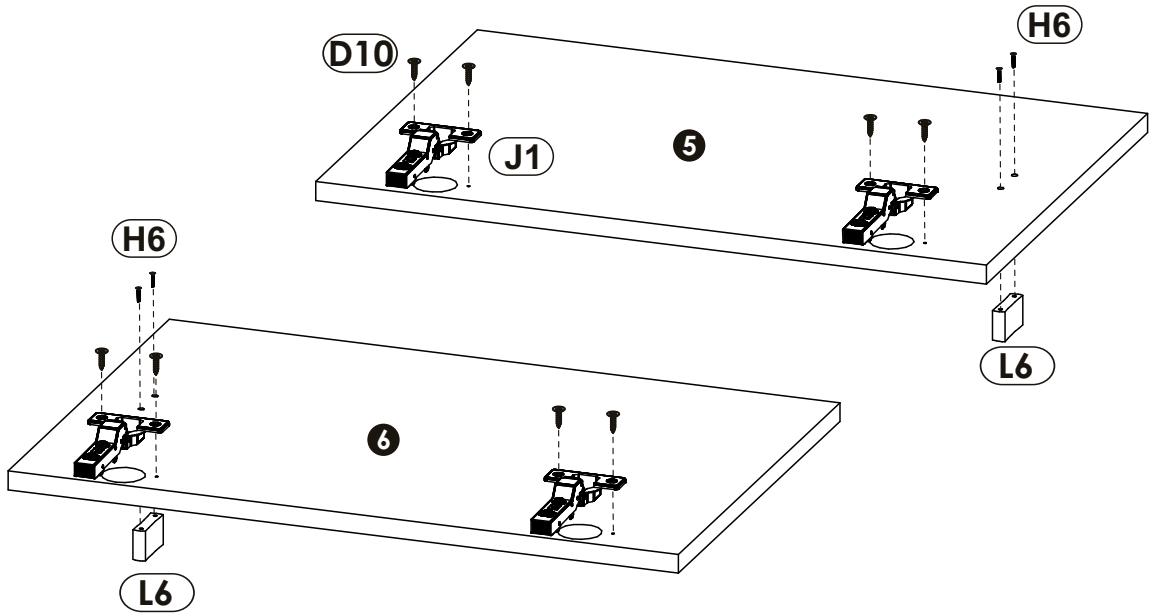
10

C2  x4	U2  x6
---	---




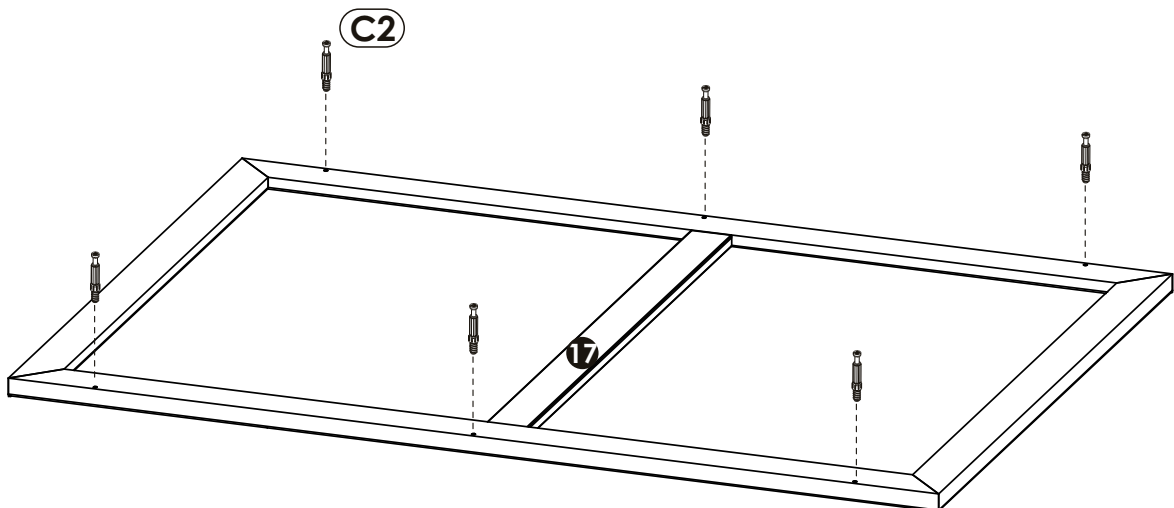
11

J1  x4	D10 4 x 16 mm  x8	H6 4 x 22 mm  x4
L6  x2		

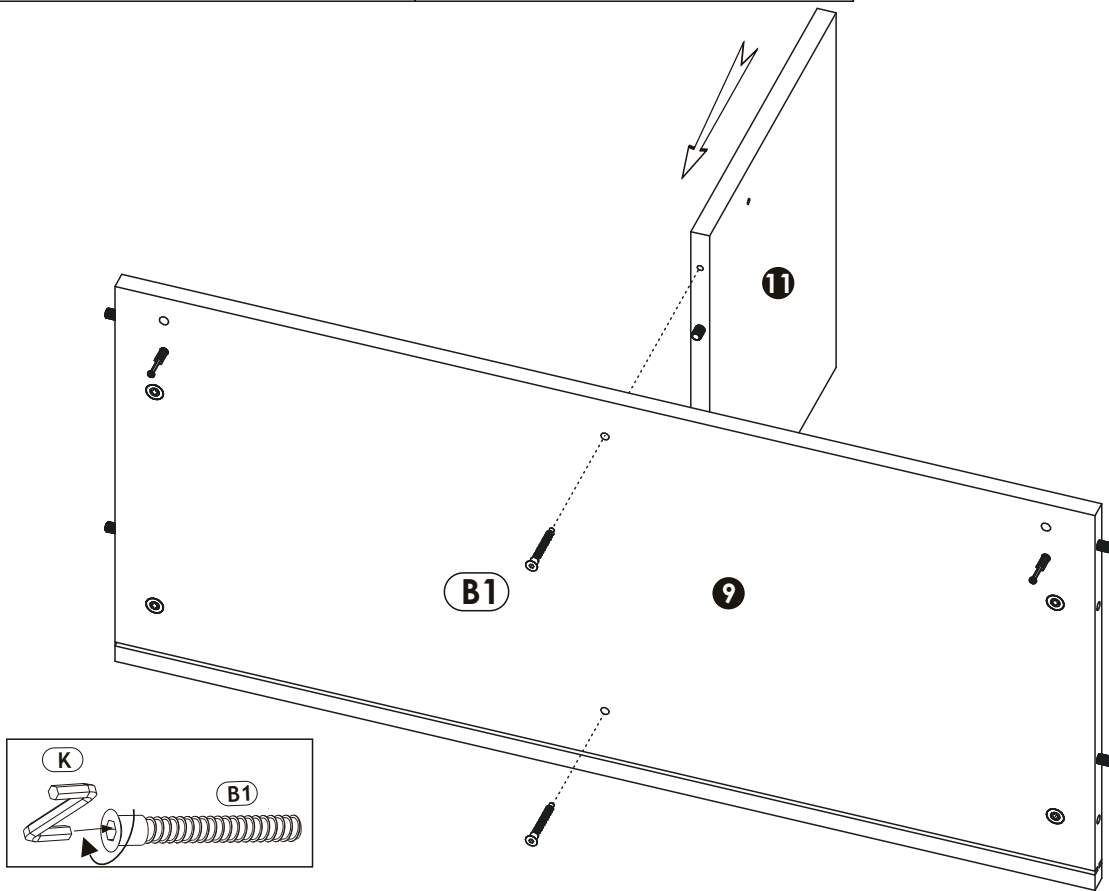
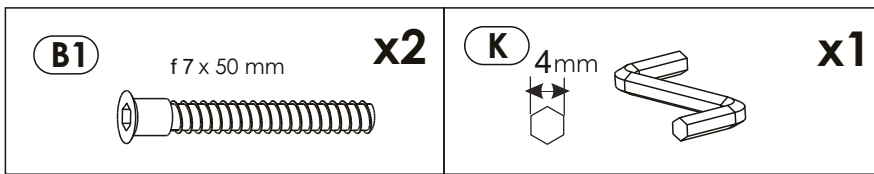


12

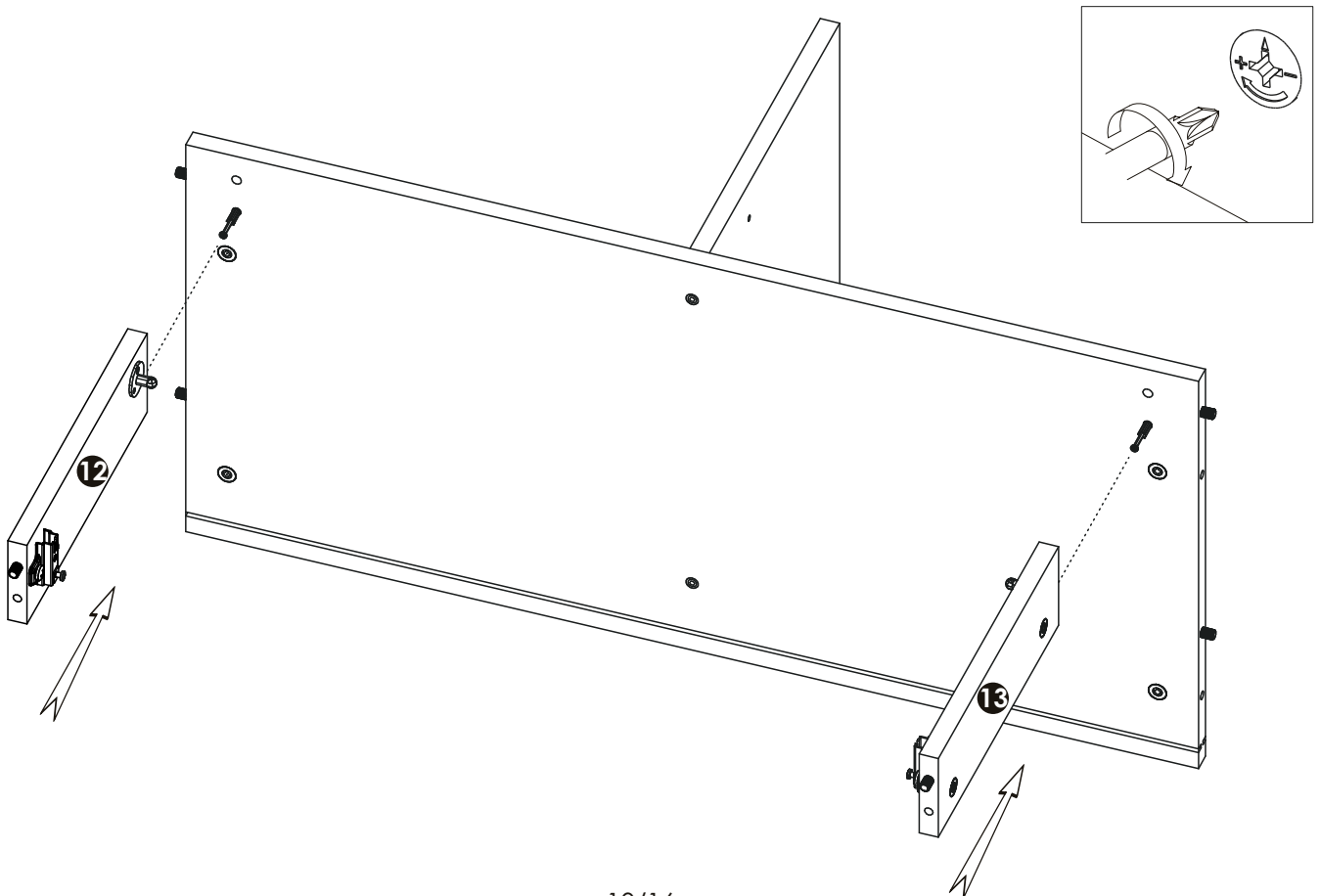
C2  x6



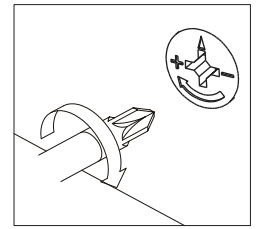
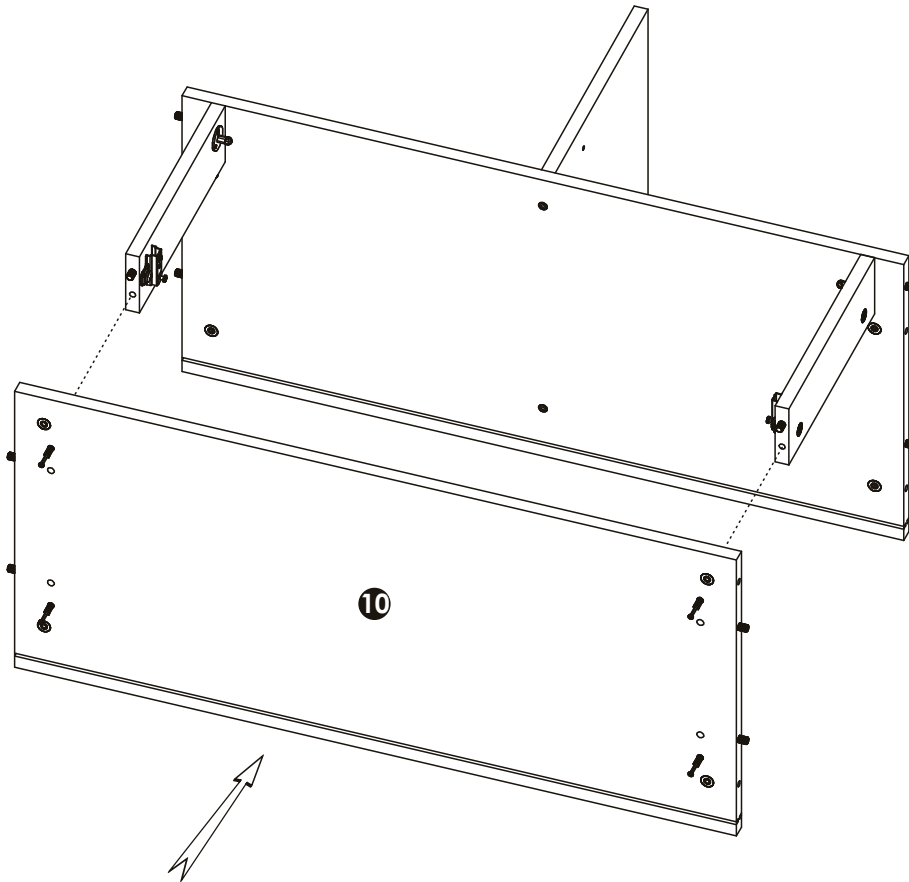
13



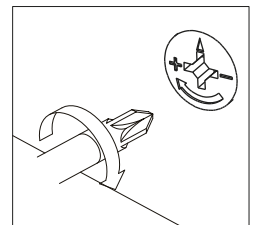
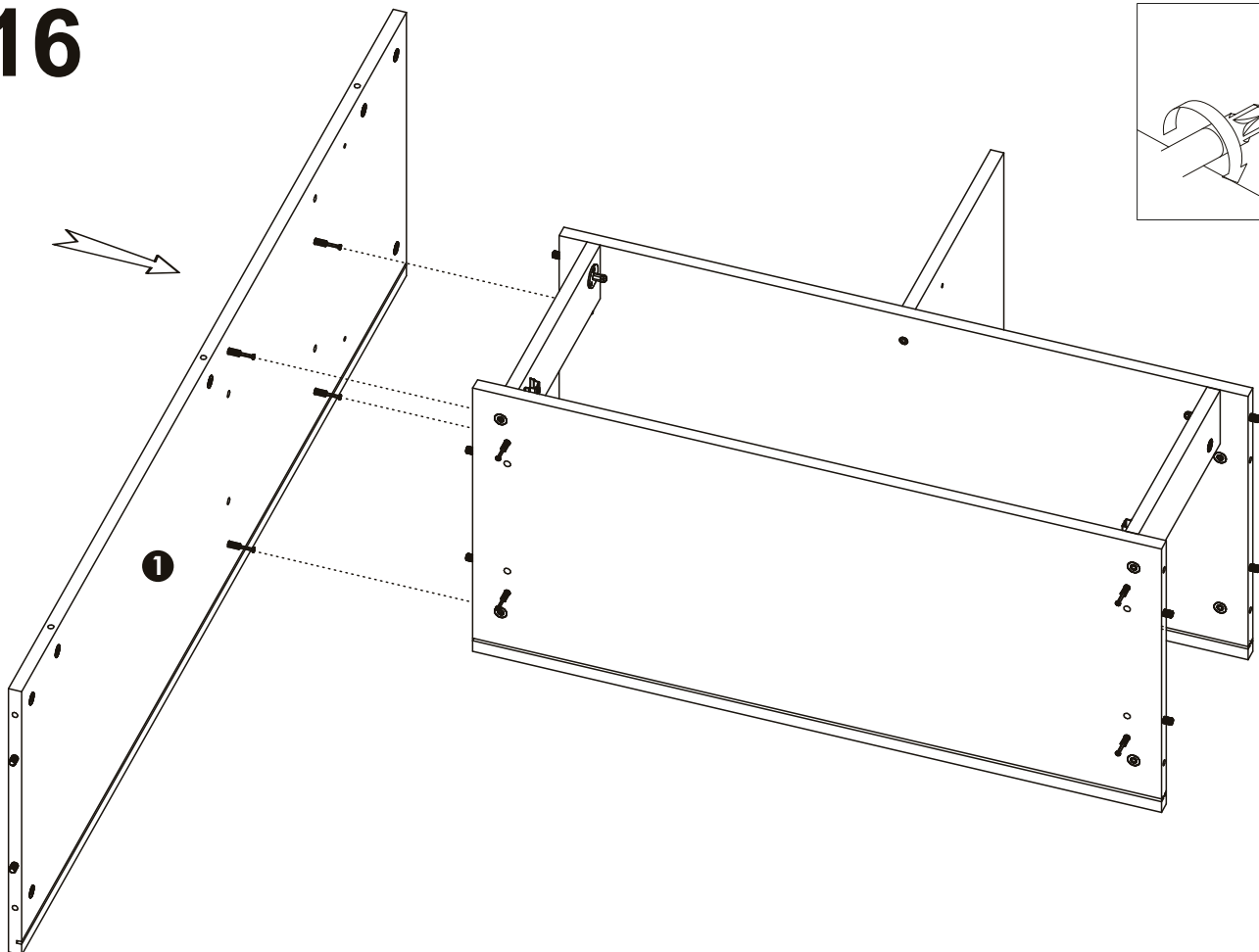
14



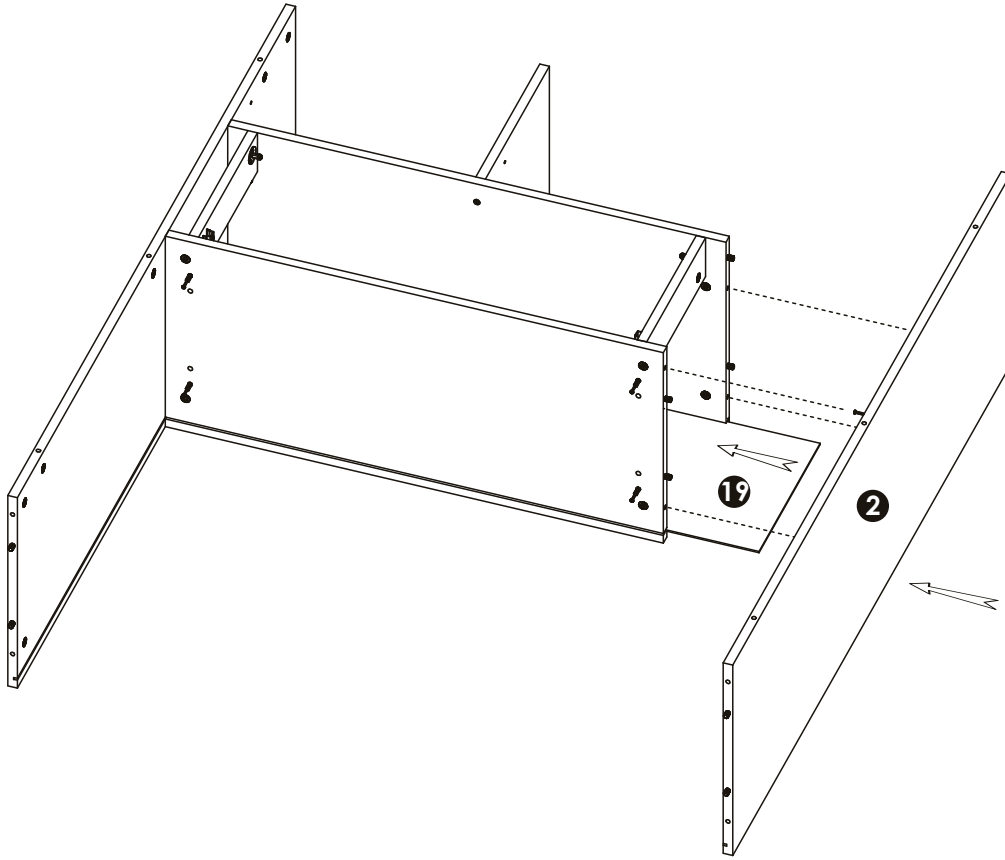
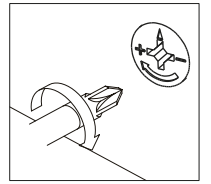
15



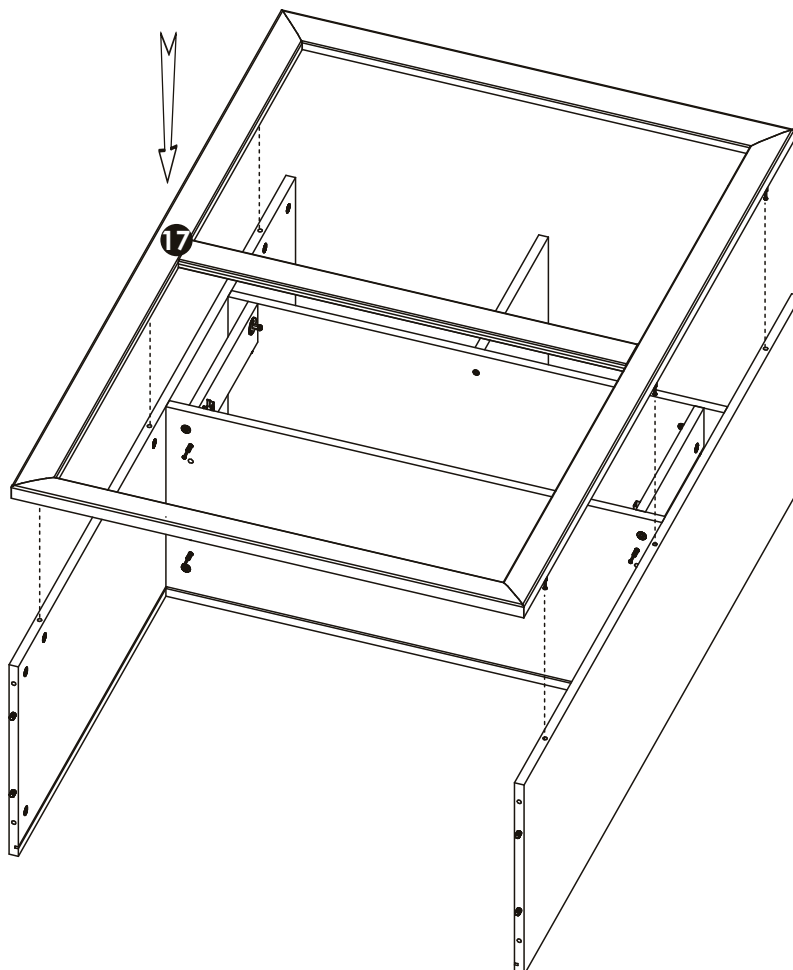
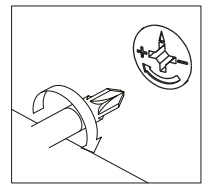
16



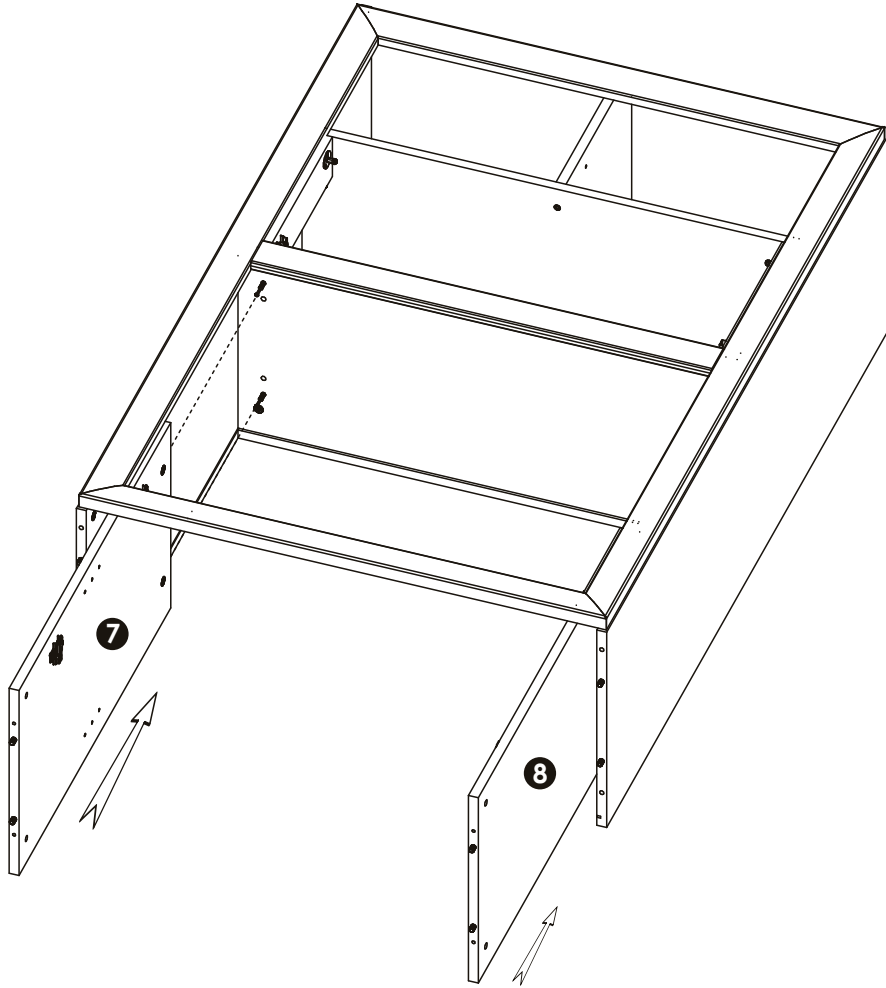
17



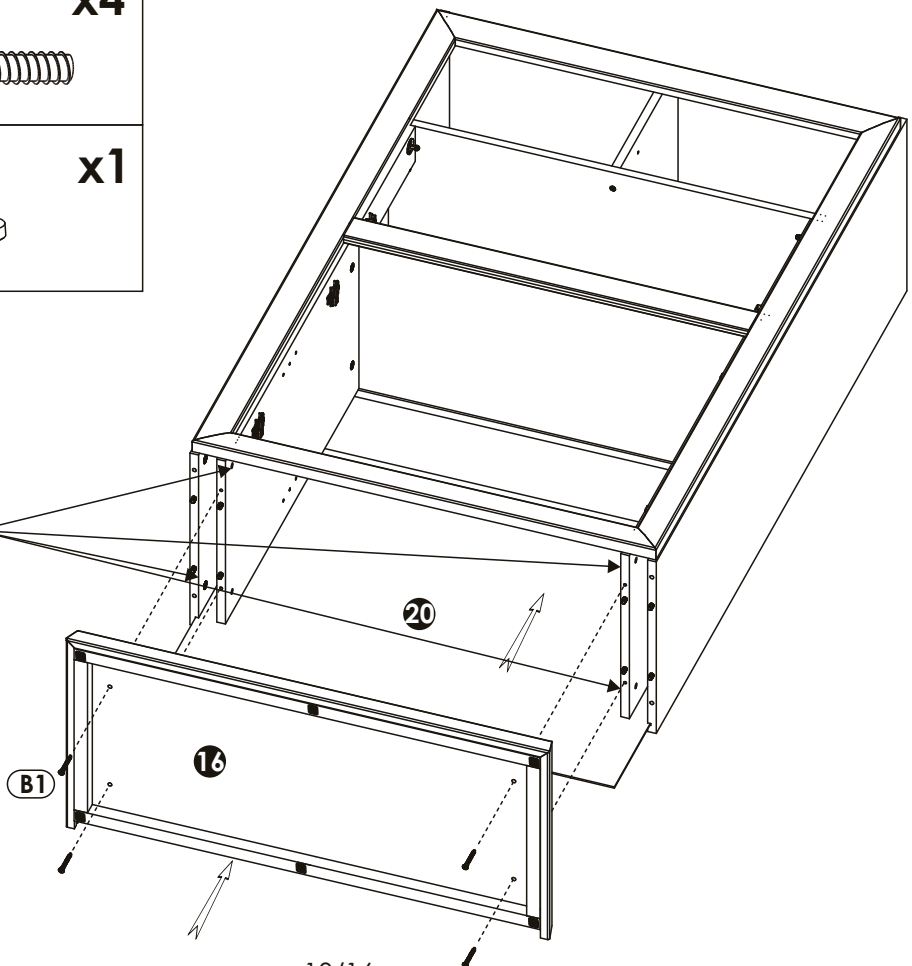
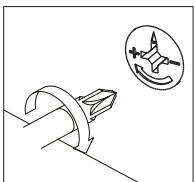
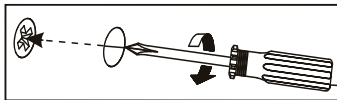
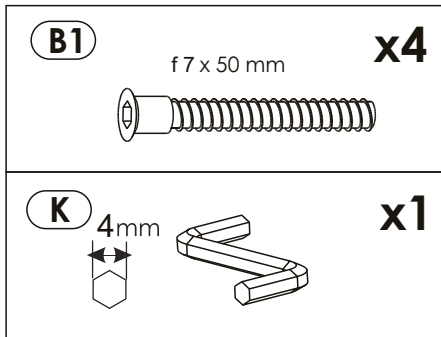
18



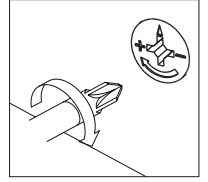
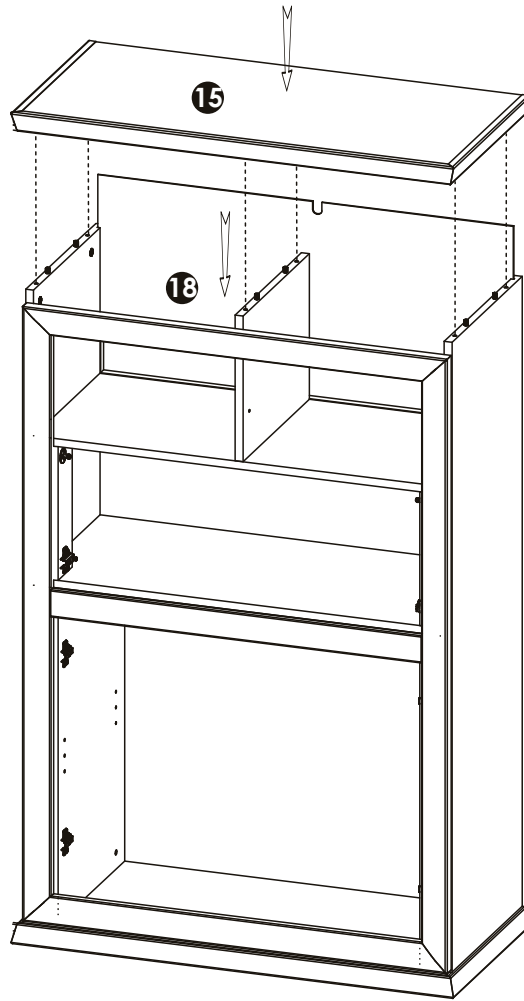
19



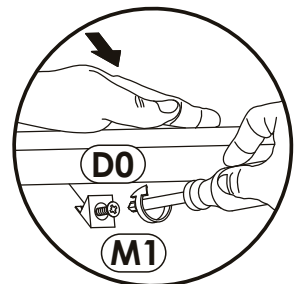
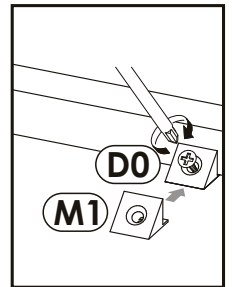
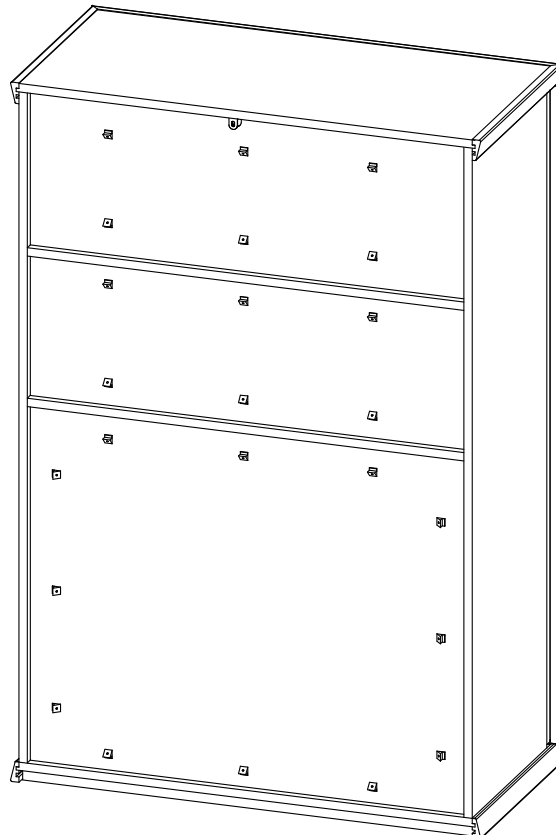
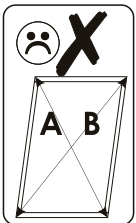
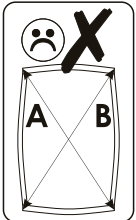
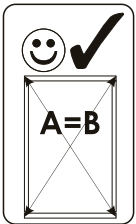
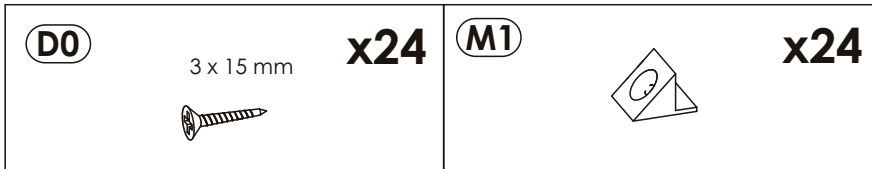
20



21



22

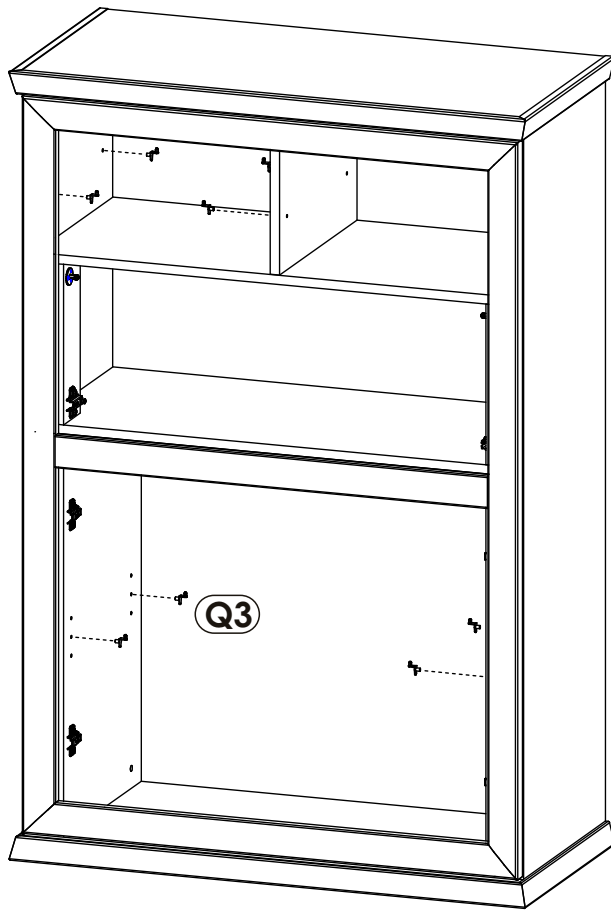
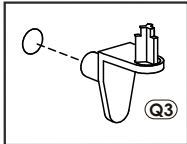


23

Q3

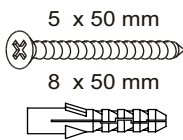


x8

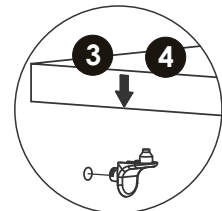
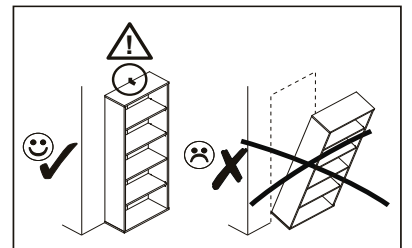
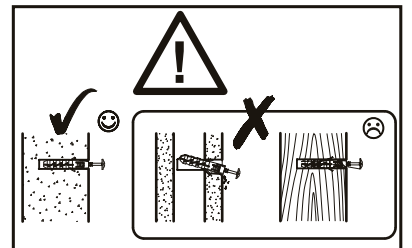
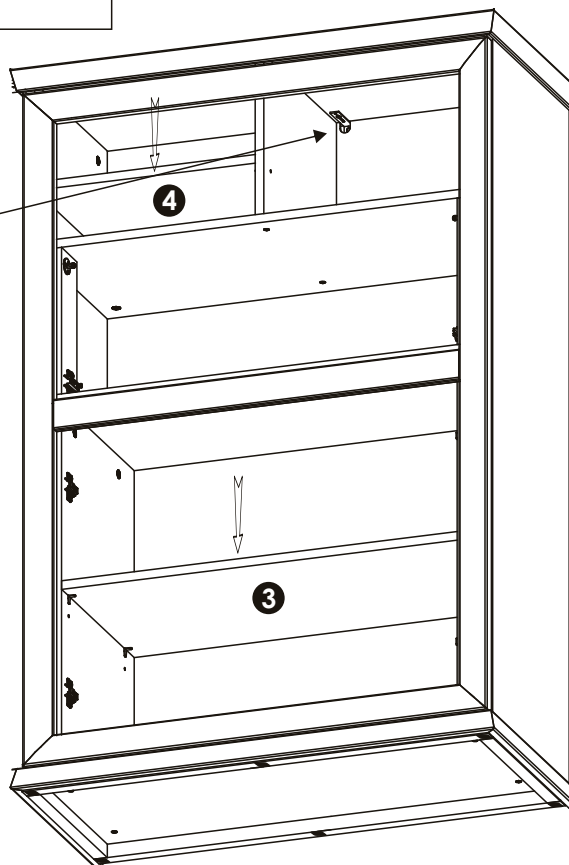
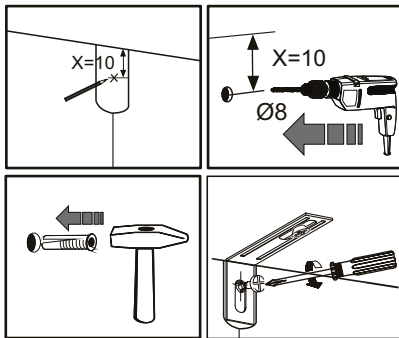


24

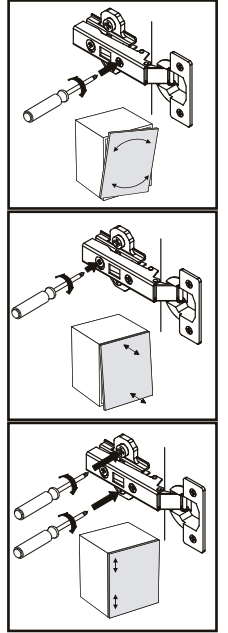
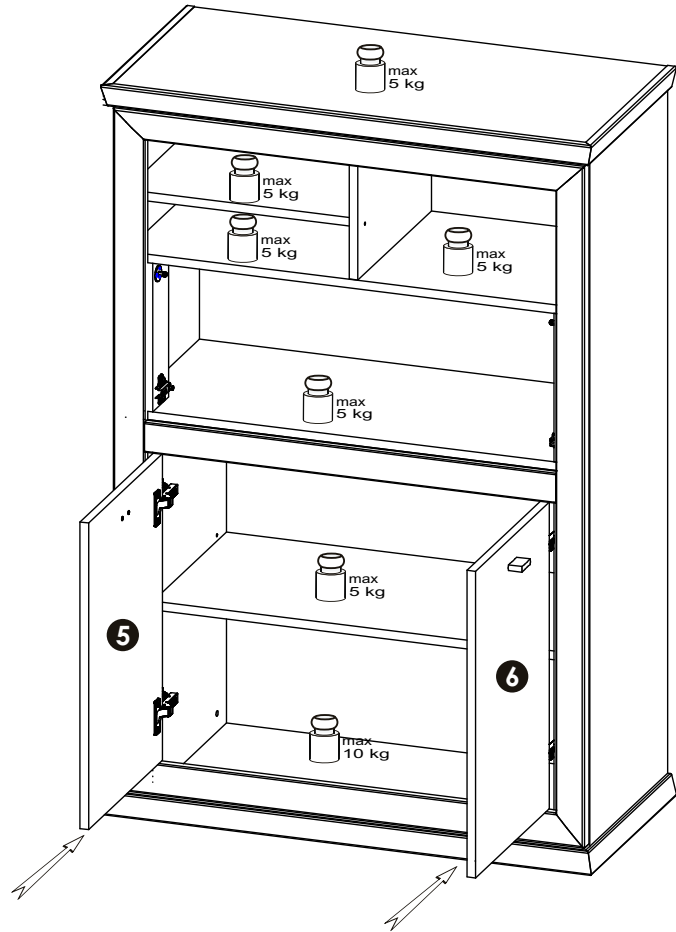
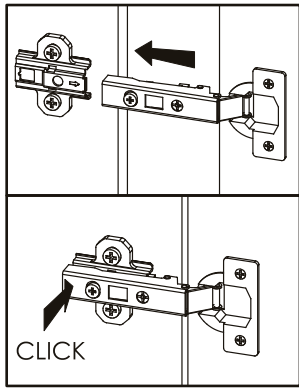
E0



x1



25



26

