




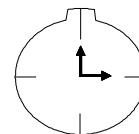
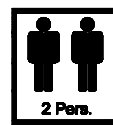
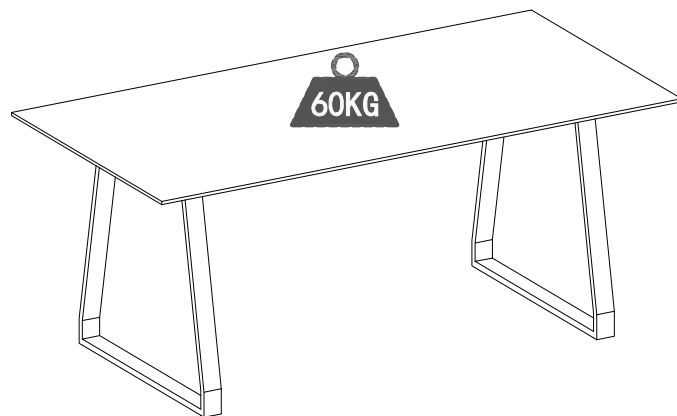


Assembly Instructions

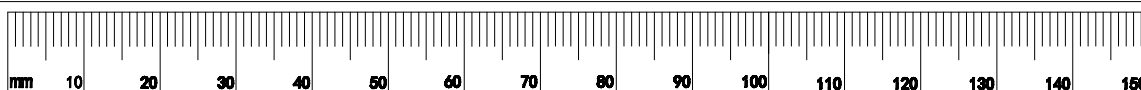
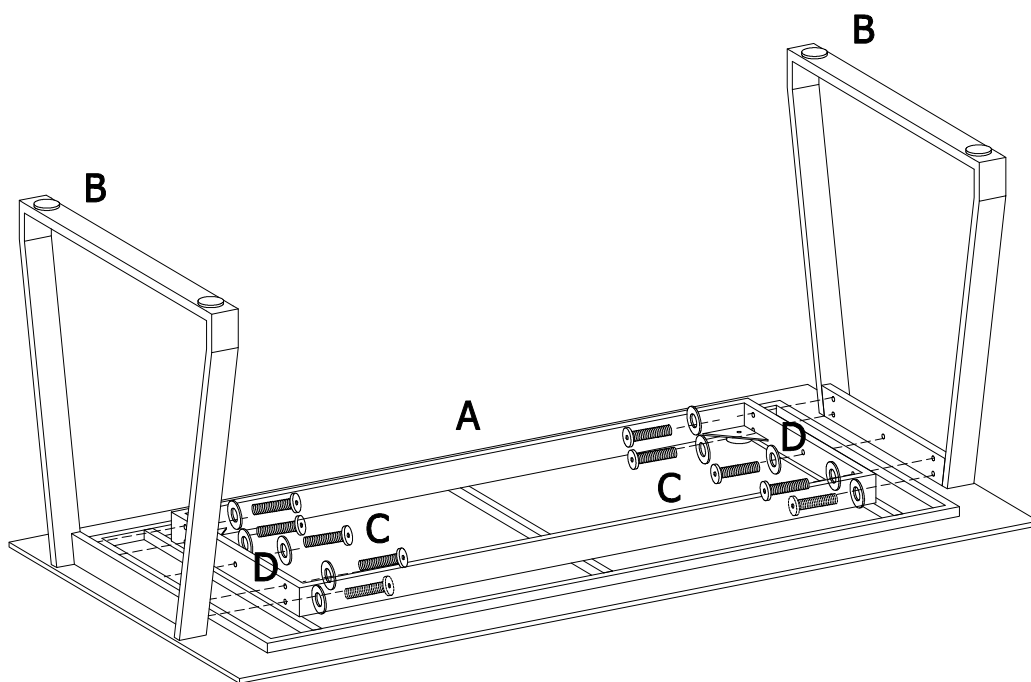
Article number: 24650045/01, 1352923

PARTS LIST

A		1PC	C	 M8 x 35mm	10PCS
			D	 ø16 x ø8.5 x 2.0mm	10PCS
B		2PCS	E	 5mm	1PC



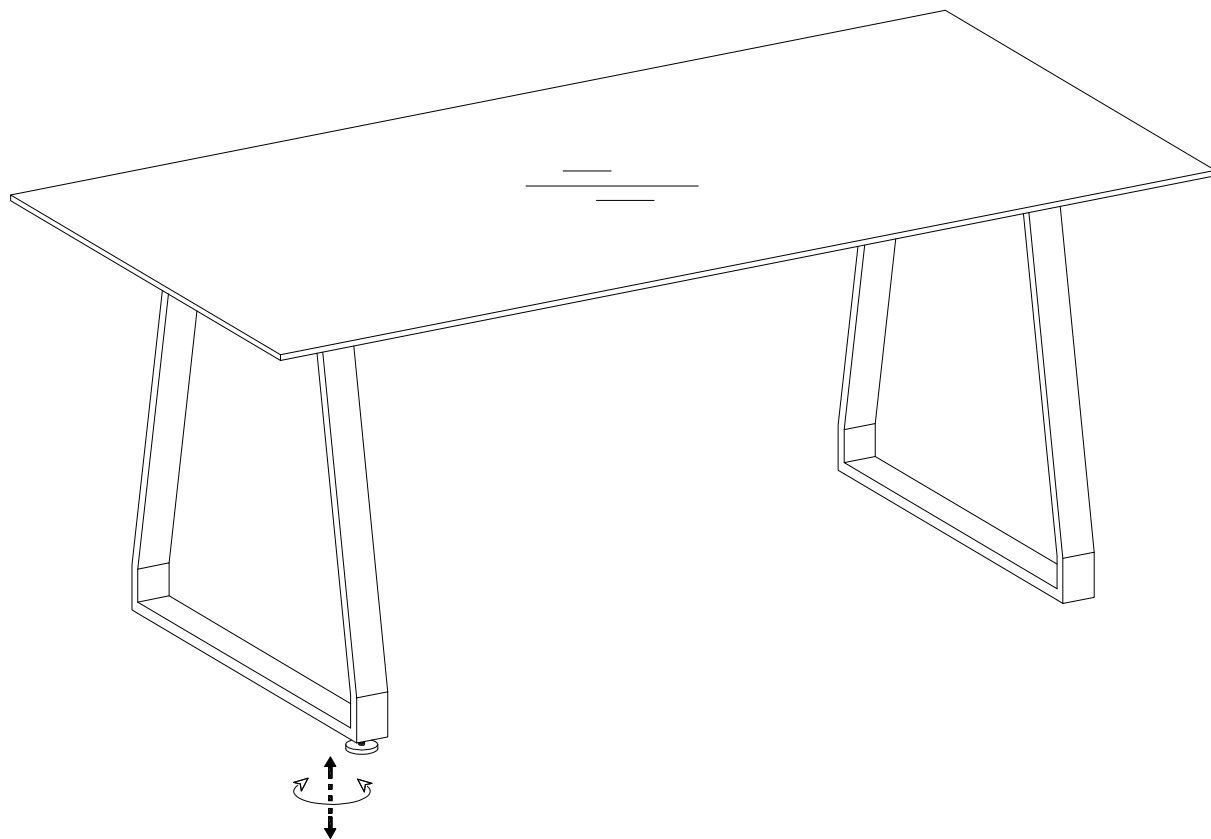
1.



Assembly Instructions

Article number: 24650045/01, 1352923

2.



3.

