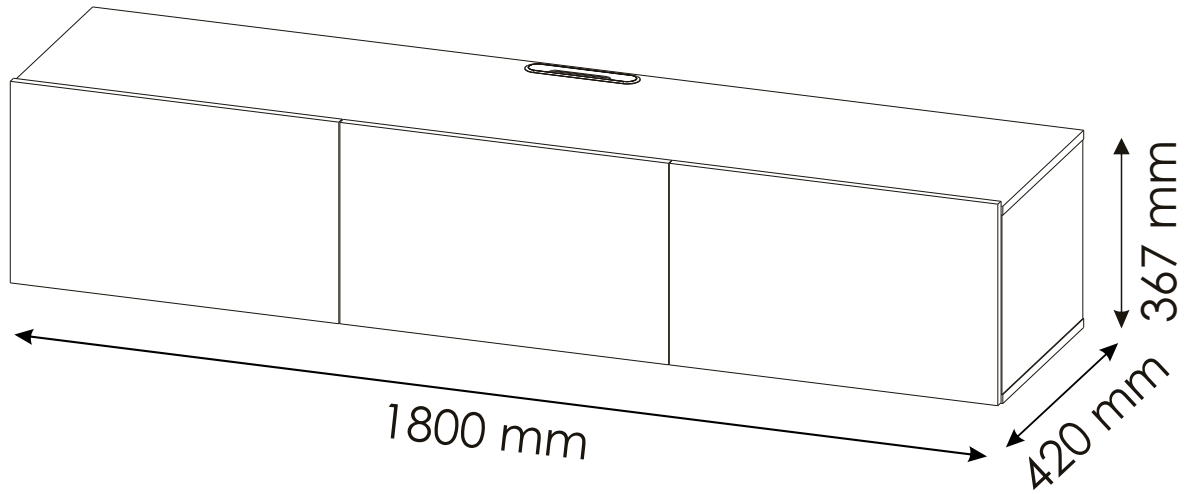
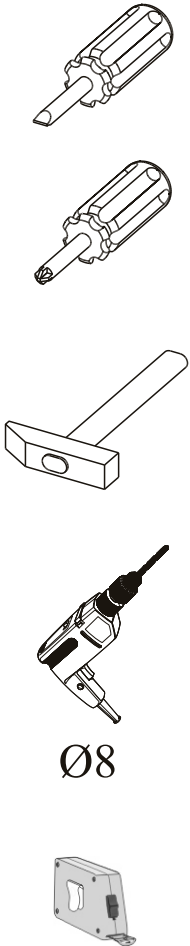
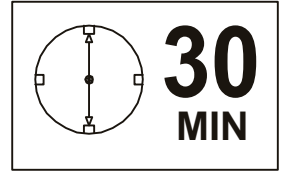
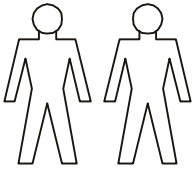


NEWNIQ Lowboard

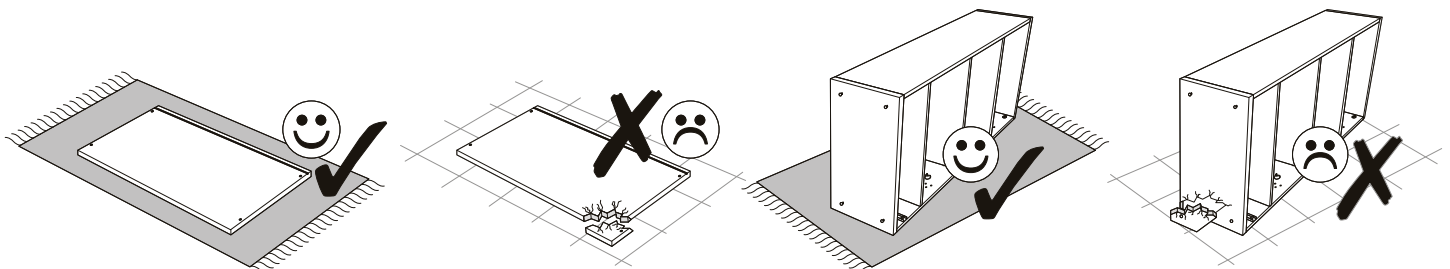
Art. nr.: 00030090/01


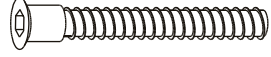







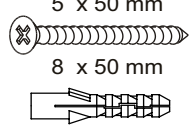
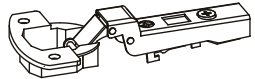
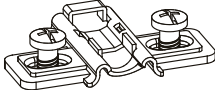
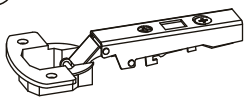
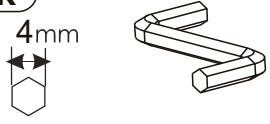
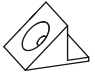
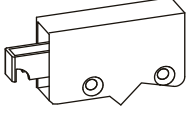
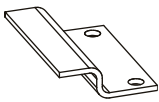

Art. nr.: 00030090/04

Art. nr.: 00030090/42

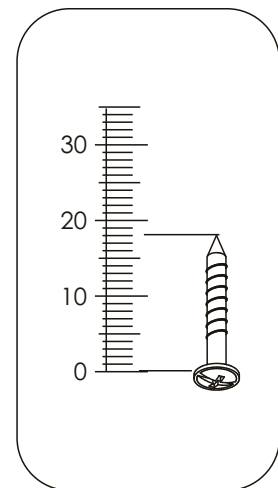



Ø8

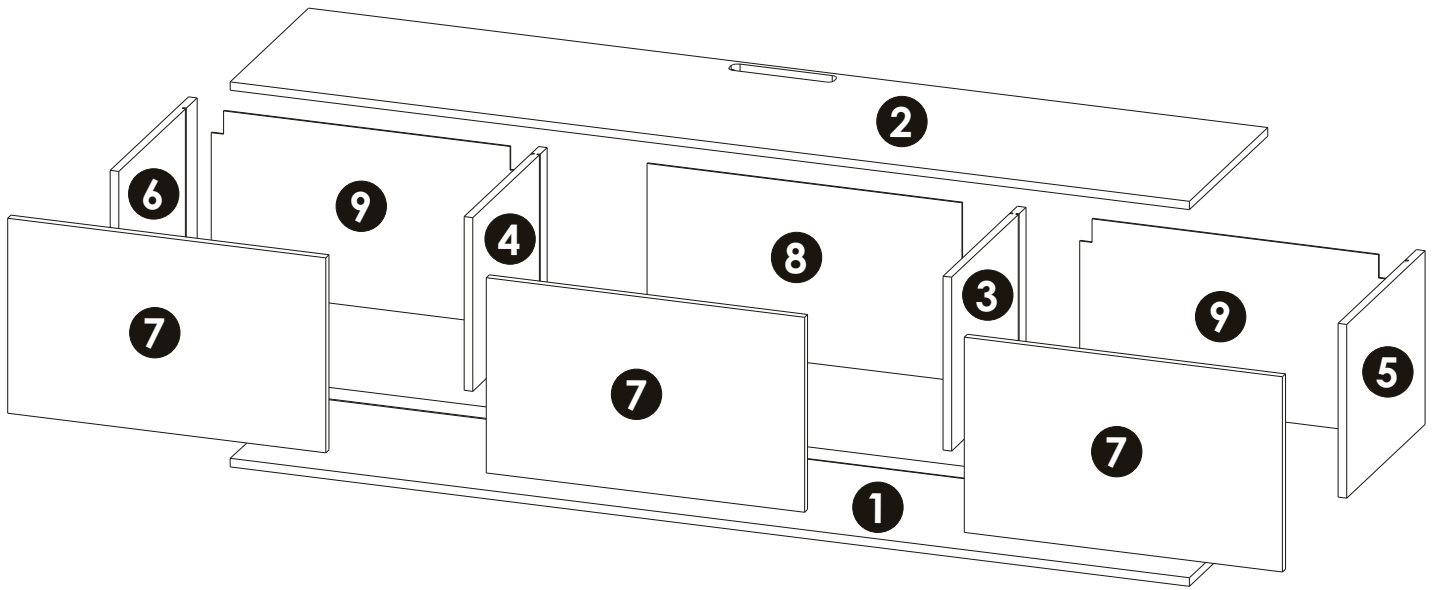
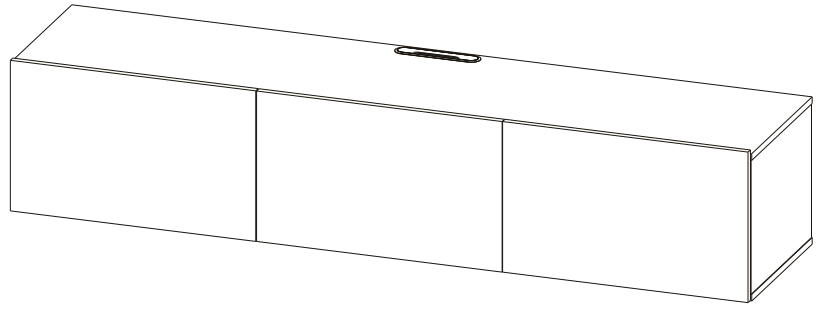


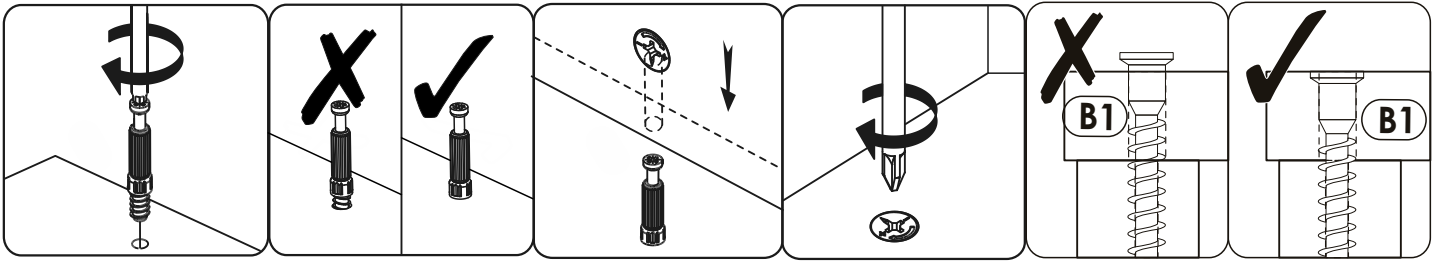
A0 8 x 30mm  x16	B1 f 7 x 50 mm  x8	B5 Ø5mm  x4
C0  x8	C2  x8	C7 16mm  x8
D0 3 x 15 mm  x18	D10 4 x 16 mm  x12	D13 4 x 30 mm  x8
E0 5 x 50 mm 8 x 50 mm  x8	J1  x2	J3  x6
J10  x4	K 4mm  x1	M1  x18
P4  x4	P5  x4	P38  x1

Art. nr.: 00030090/04
Art. nr.: 00030090/42



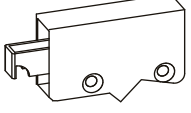

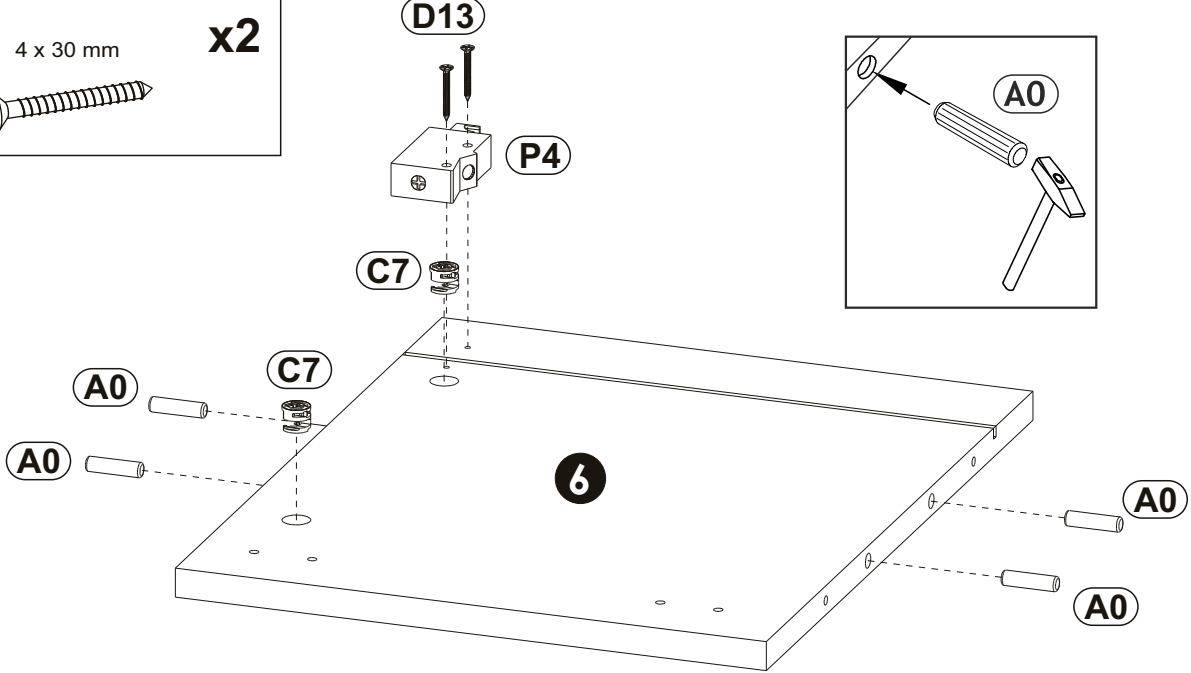


1	1800	404	16	x1	1/2
2	1800	404	16	x1	1/2
3	326	384	16	x1	1/2
4	326	384	16	x1	1/2
5	326	404	16	x1	1/2
6	326	404	16	x1	1/2
7	366	597	16	x3	2/2
8	591	336	3	x1	2/2
9	584	336	3	x2	2/2
					2/2


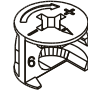
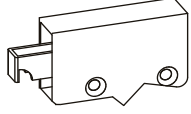

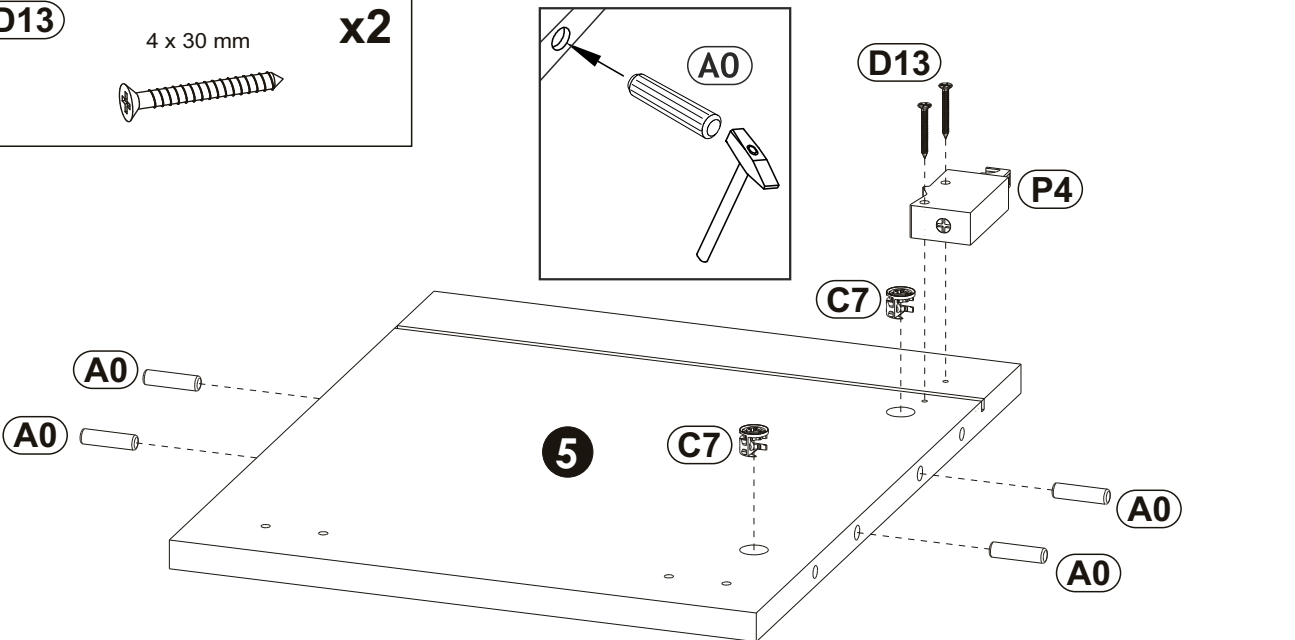




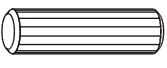

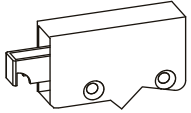
1


A0 8 x 30mm 	x4	C7 16mm 	x2	P4 	x1
D13 4 x 30 mm 	x2				

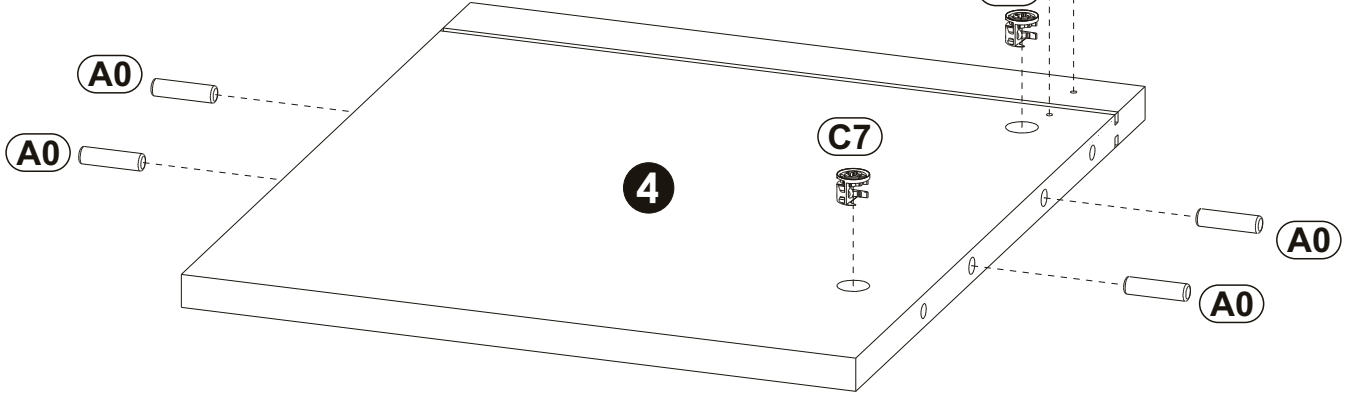
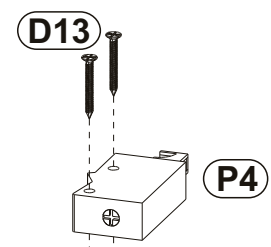
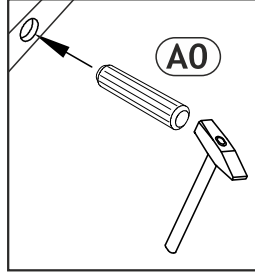
2

A0 8 x 30mm 	x4	C7 16mm 	x2	P4 	x1
D13 4 x 30 mm 	x2				

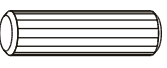

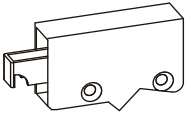
3


A0 8 x 30mm 	x4	C7 16mm 	x2	P4 	x1
--	-----------	--	-----------	--	-----------

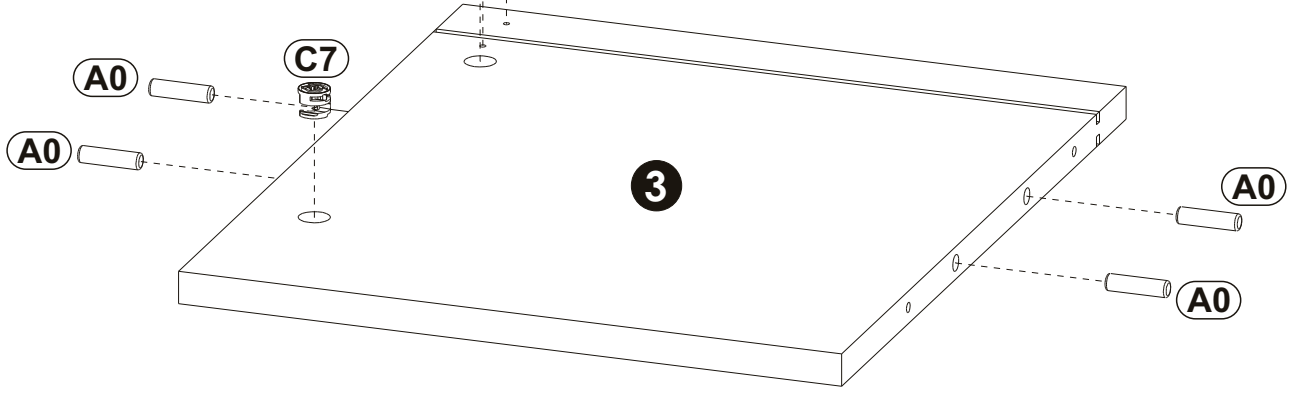
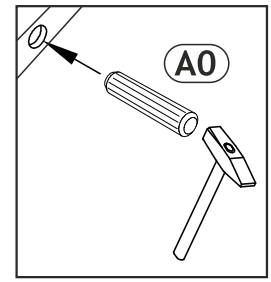
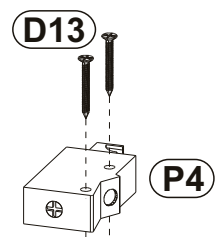
D13 4 x 30 mm 	x2
--	-----------



4

A0 8 x 30mm 	x4	C7 16mm 	x2	P4 	x1
--	-----------	--	-----------	--	-----------

D13 4 x 30 mm 	x2
--	-----------

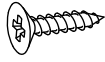


5

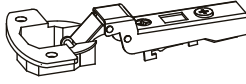
D10

4 x 16 mm

x12

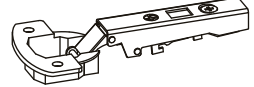


J1

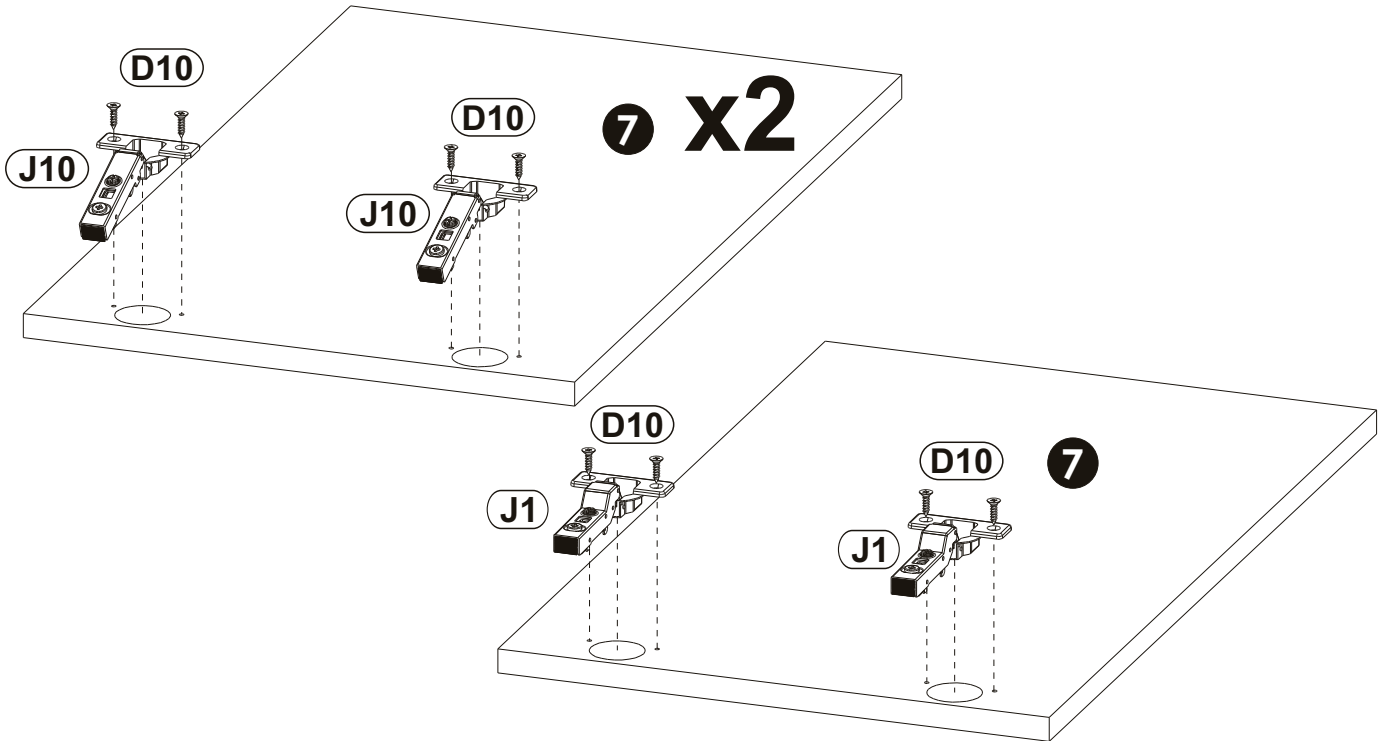


x2

J10



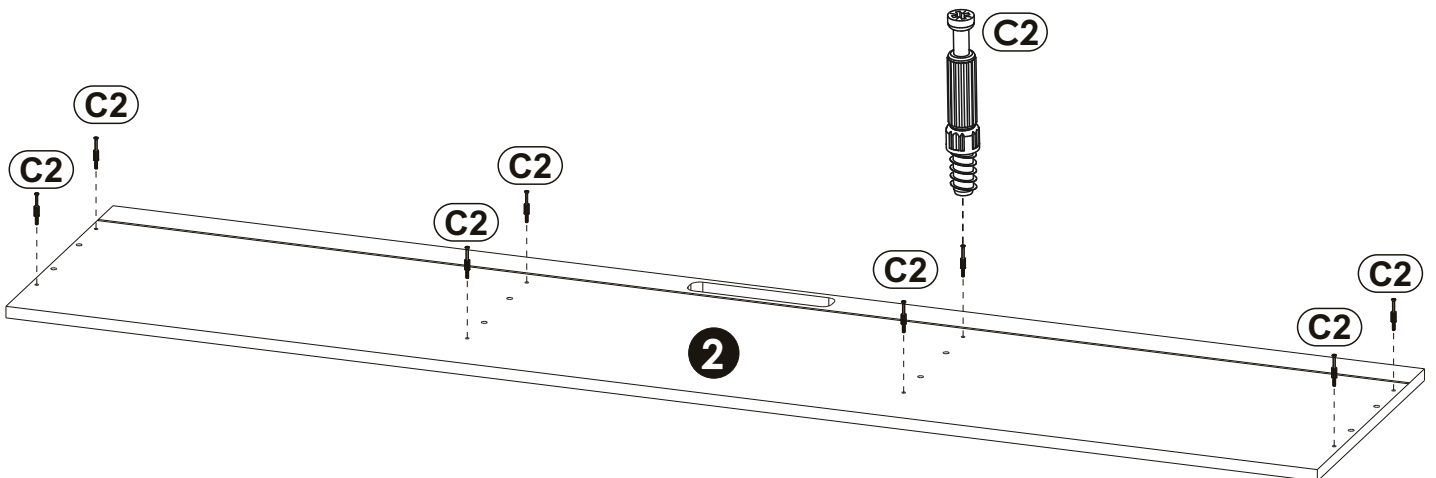
x4



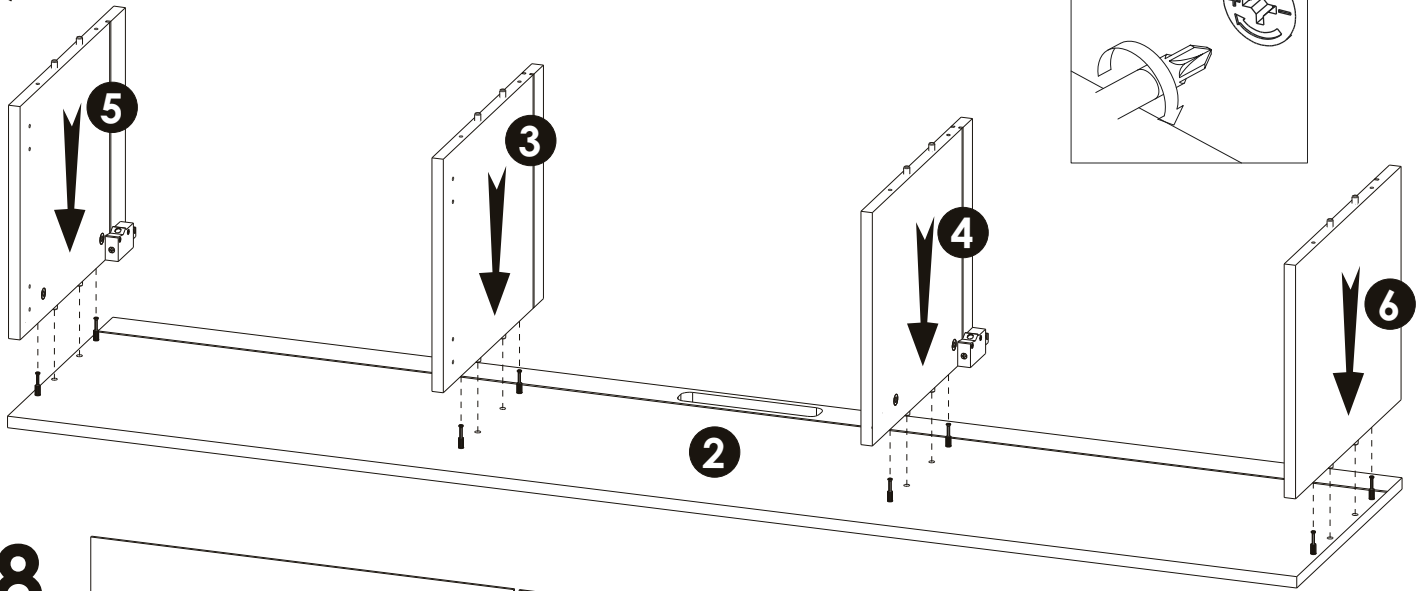
6

C2

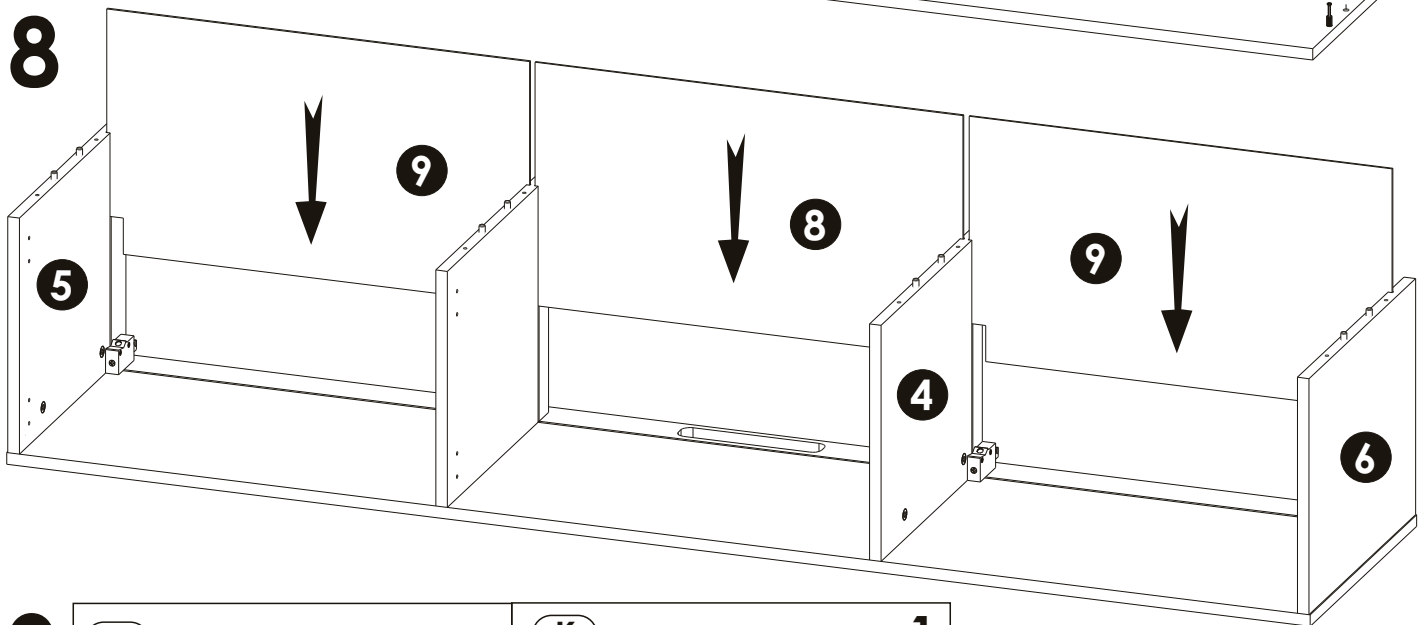
x8



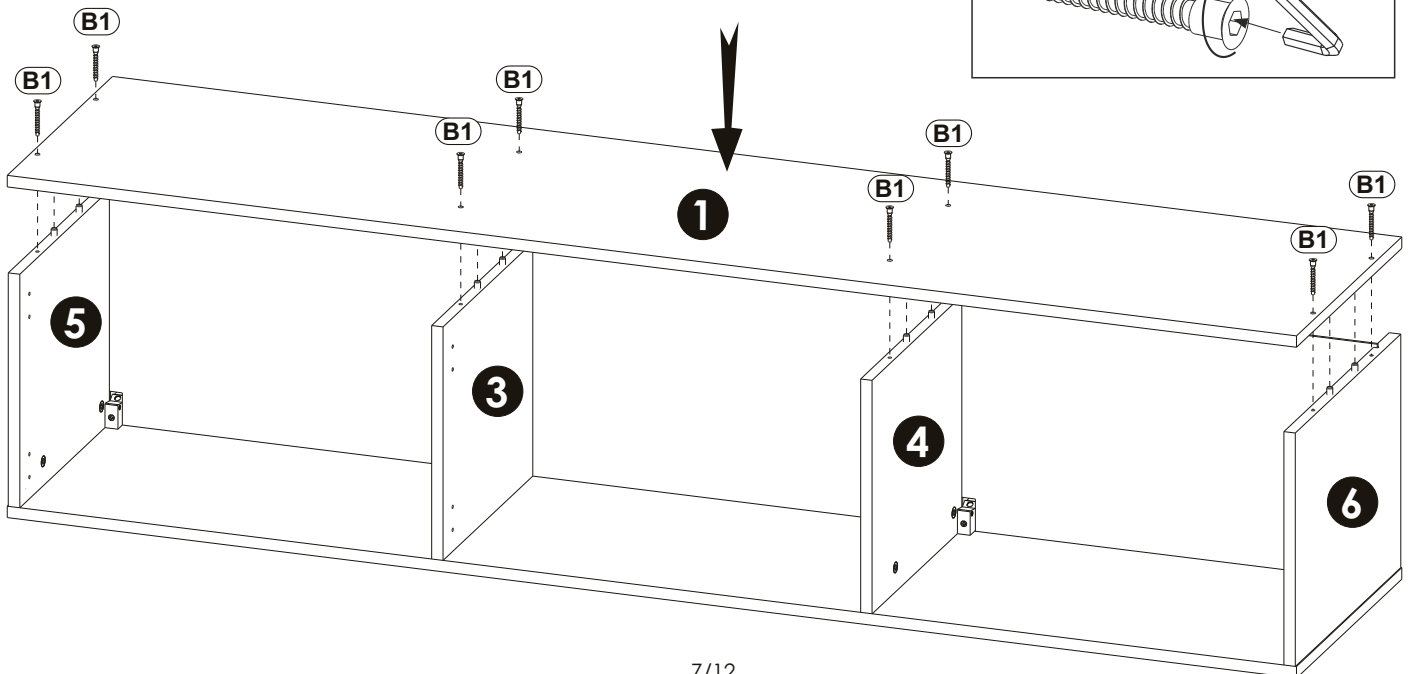
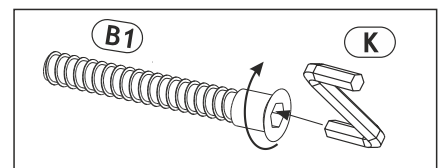
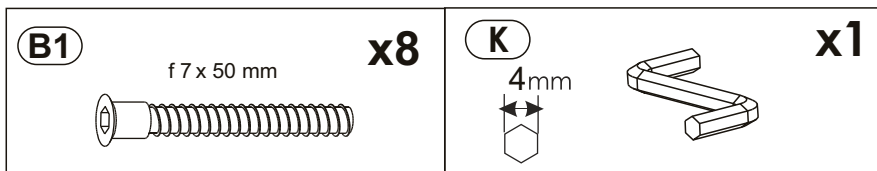
7




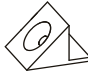
8

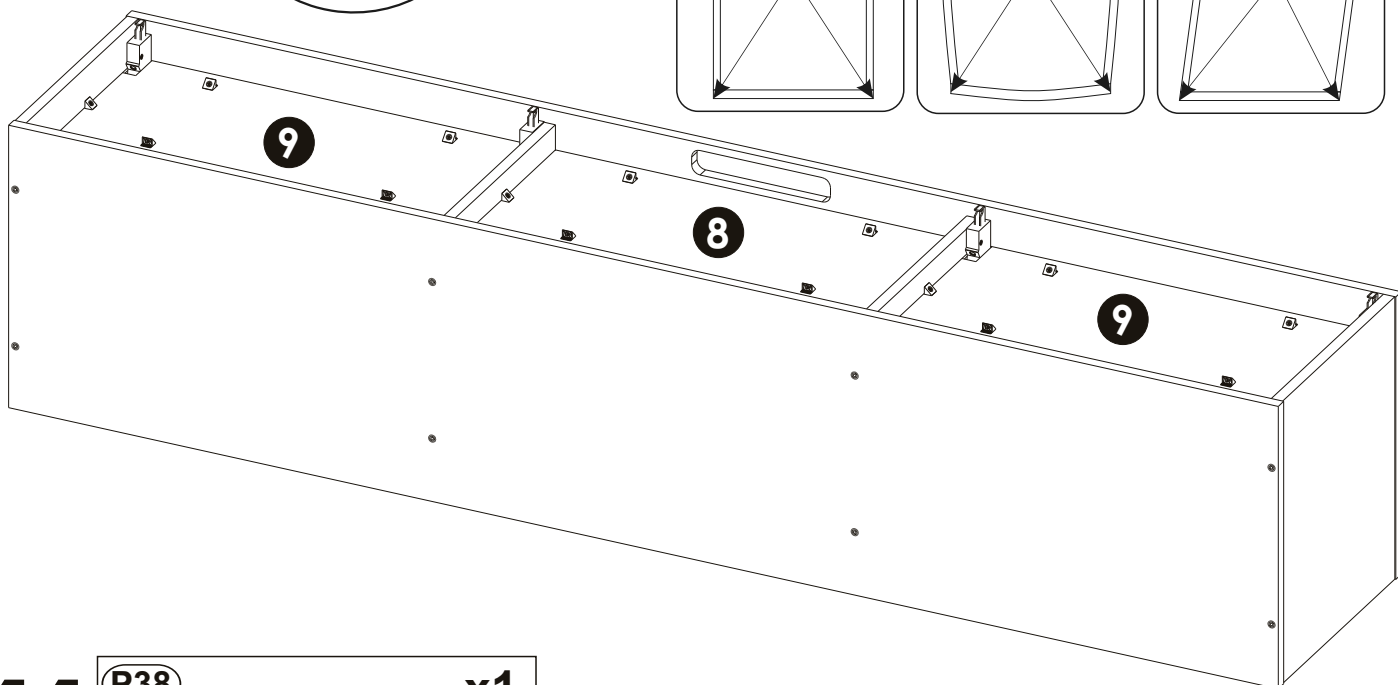
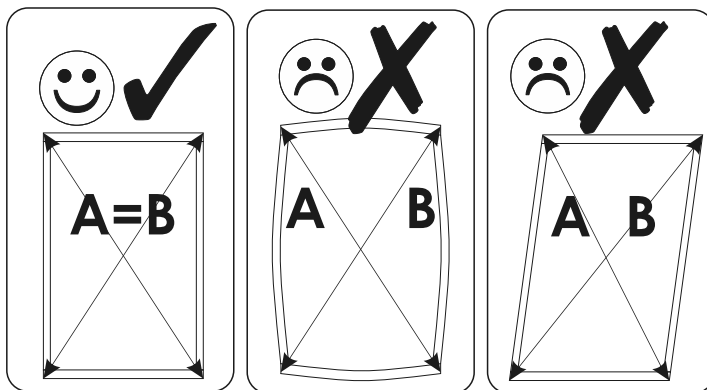
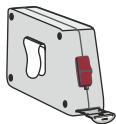
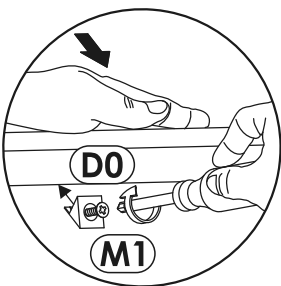


9

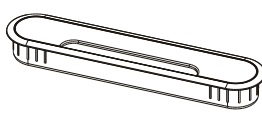


10

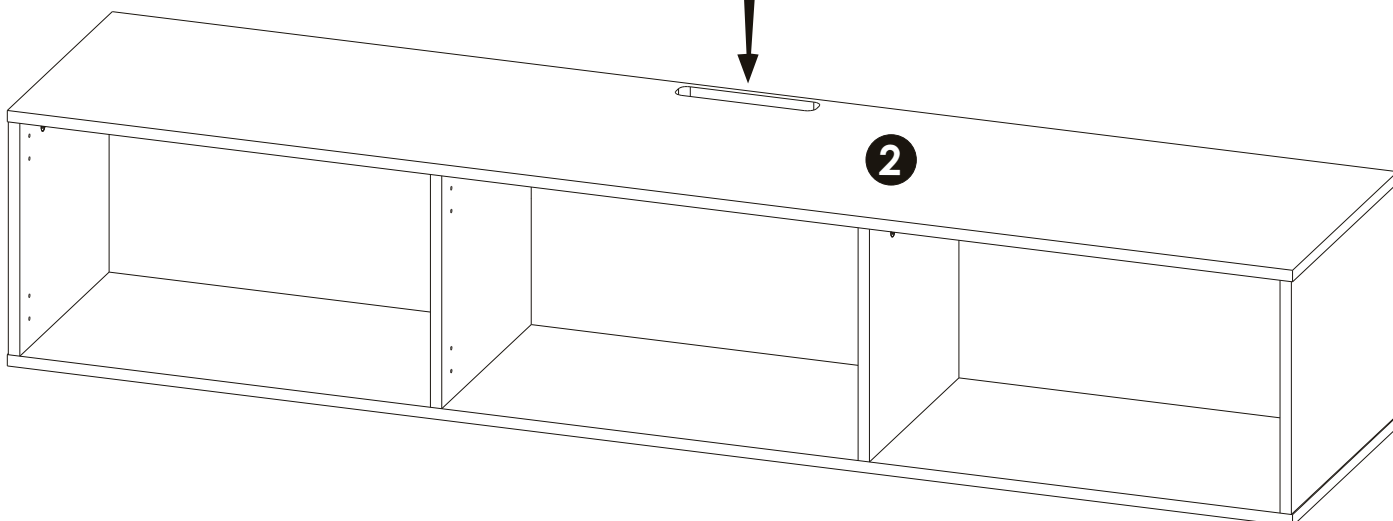
D0 3 x 15 mm 	x18	M1 	x18
---	------------	--	------------



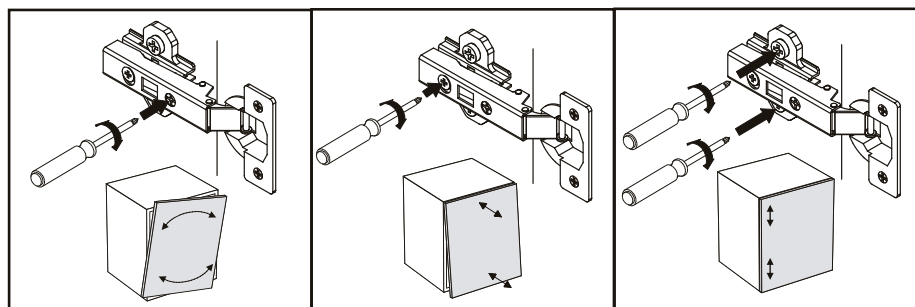
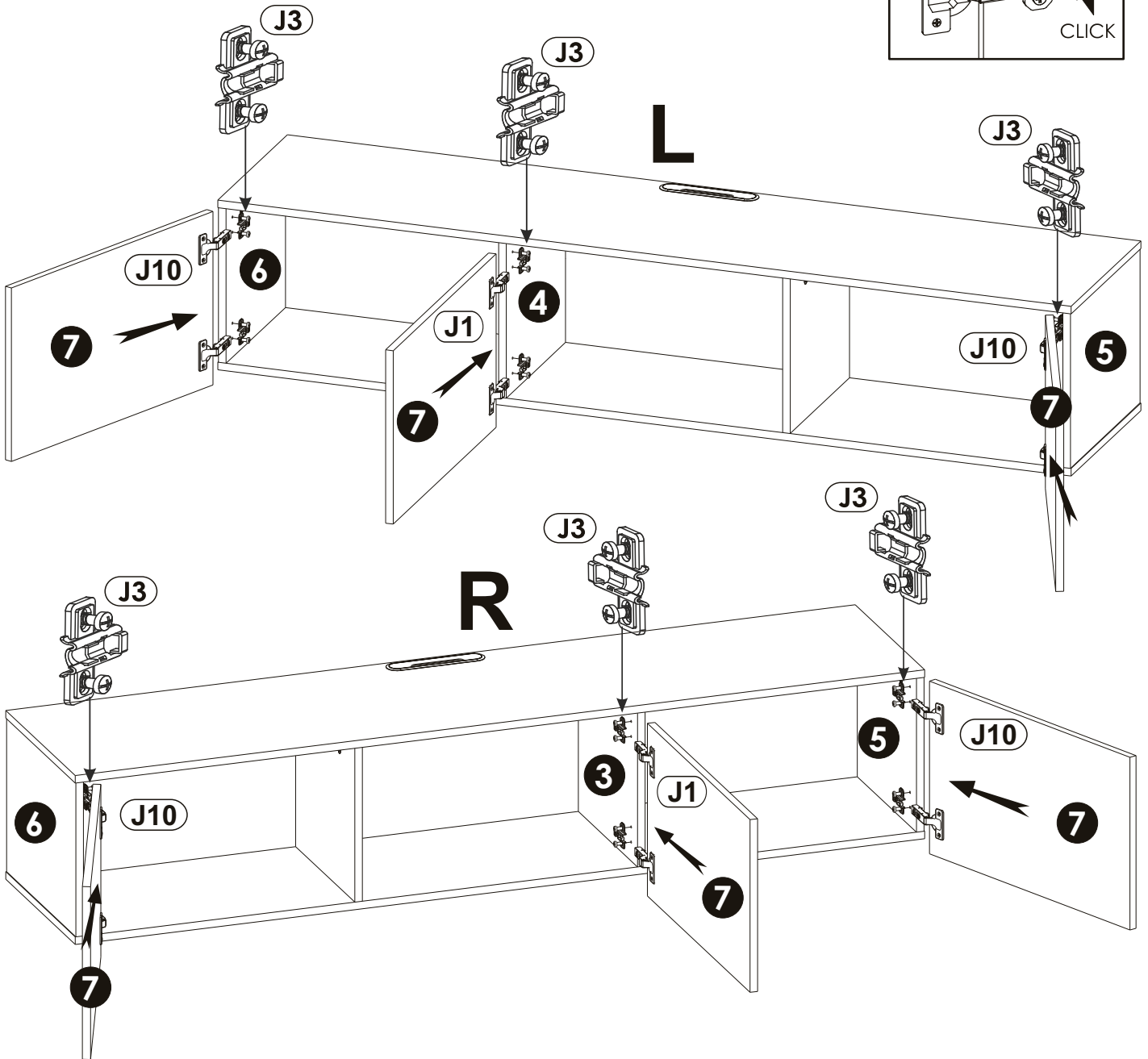
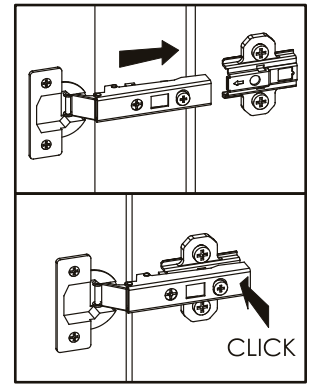
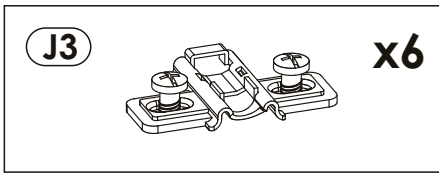
11

P38 	x1
---	-----------

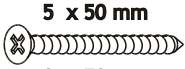


P38

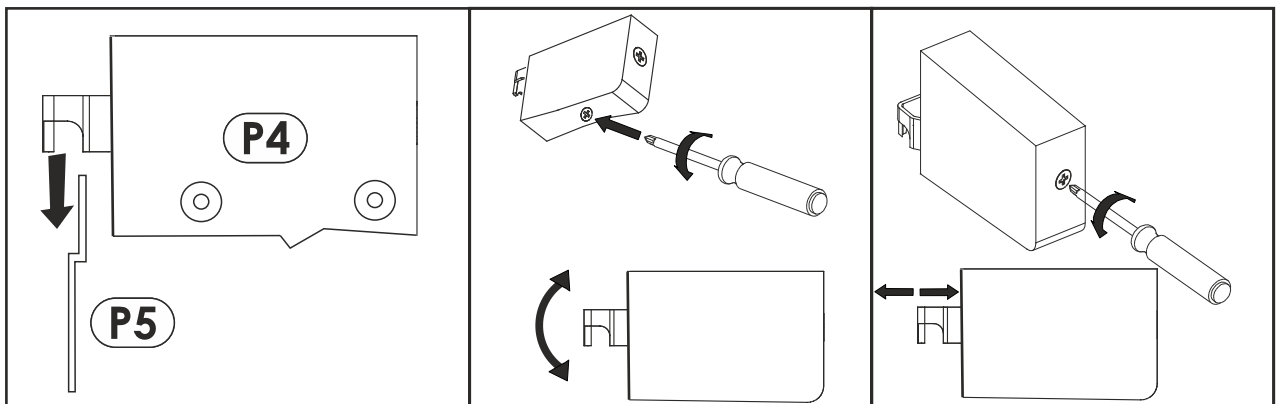
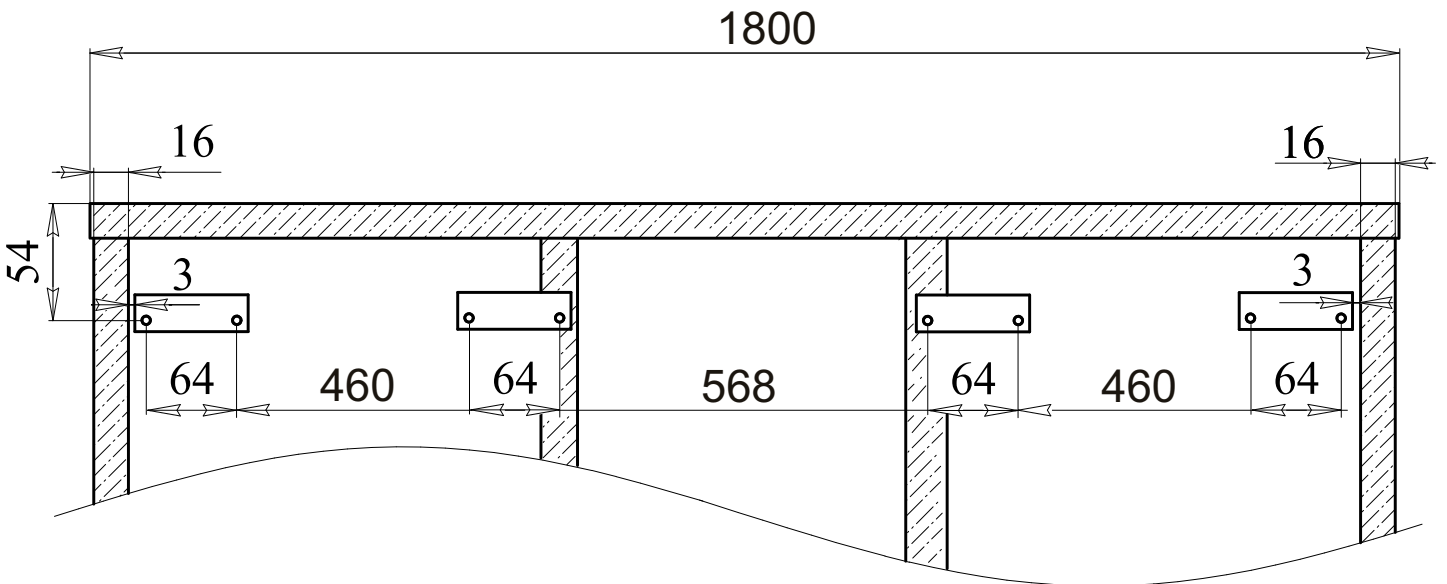
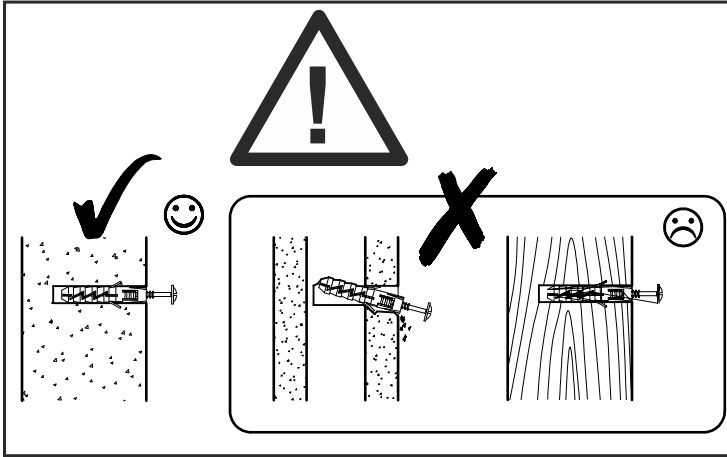
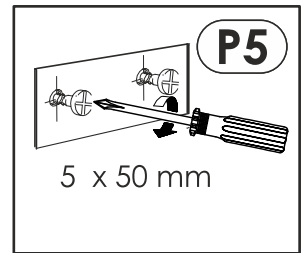
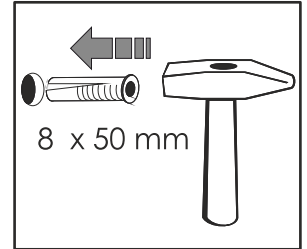
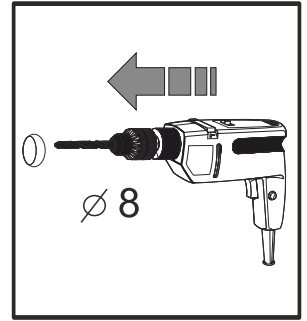


12





13

(E0)	 5 x 50 mm  8 x 50 mm	x8	(P5)		x4
-------------	---	-----------	-------------	---	-----------



14

B5 Ø5mm 	x4	C0 	x8	LOGO...	x1
--	-----------	--	-----------	----------------	-----------

