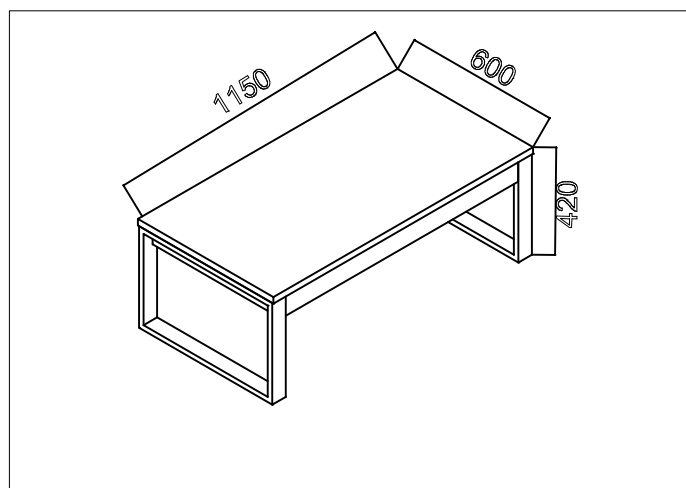
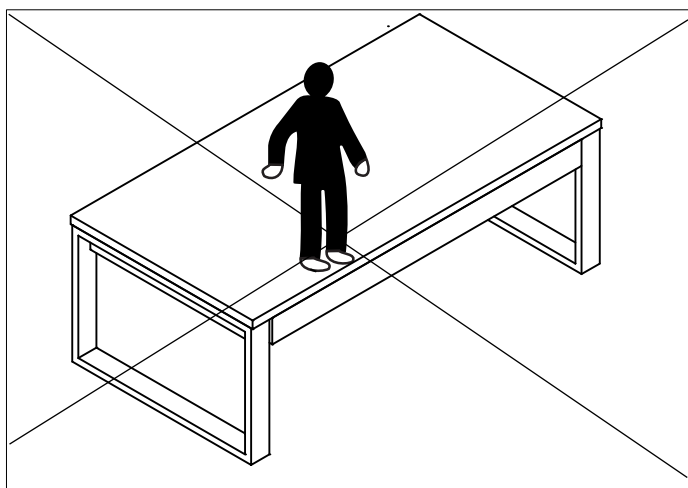
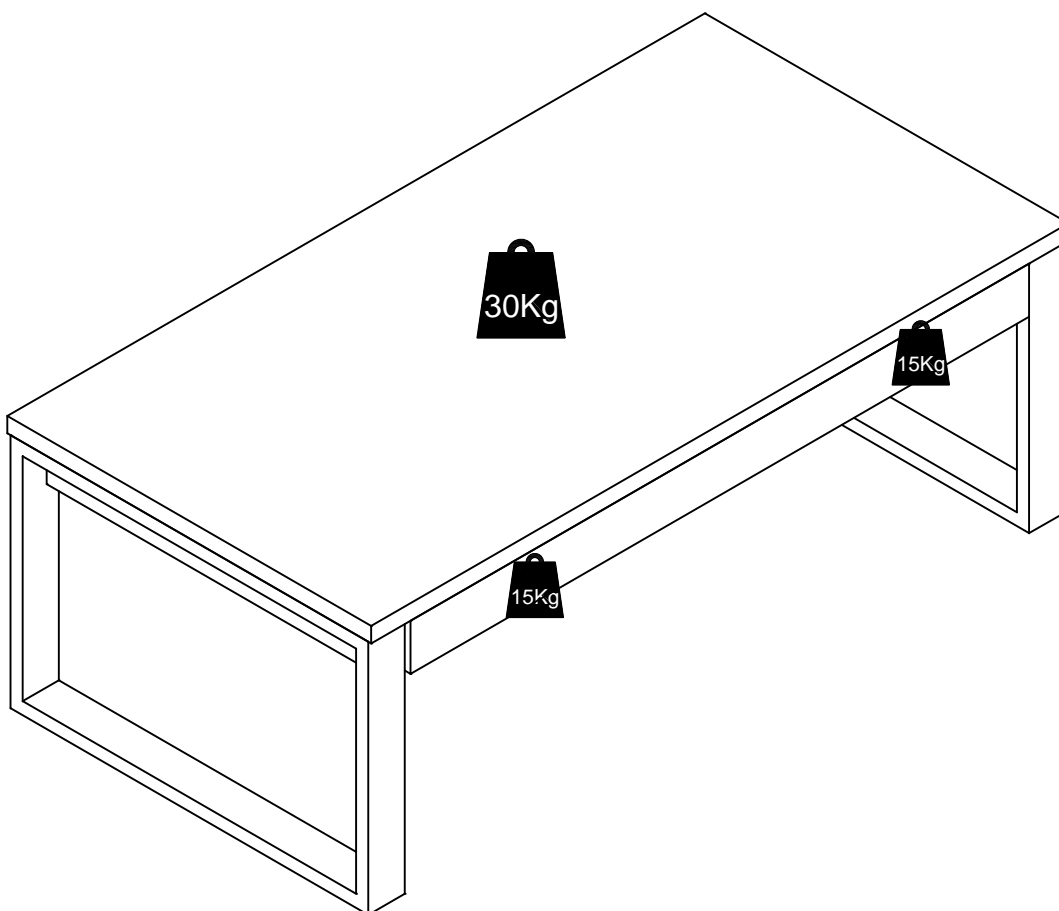
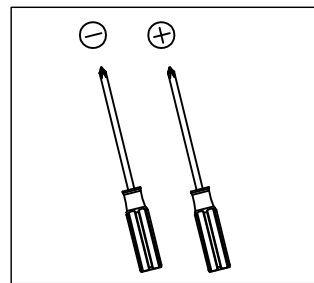
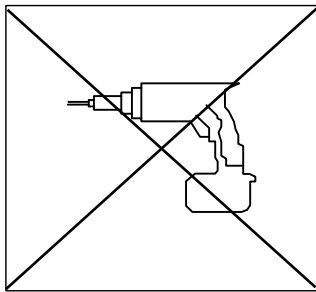
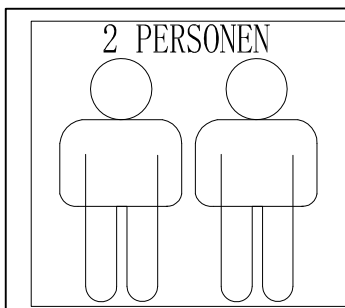
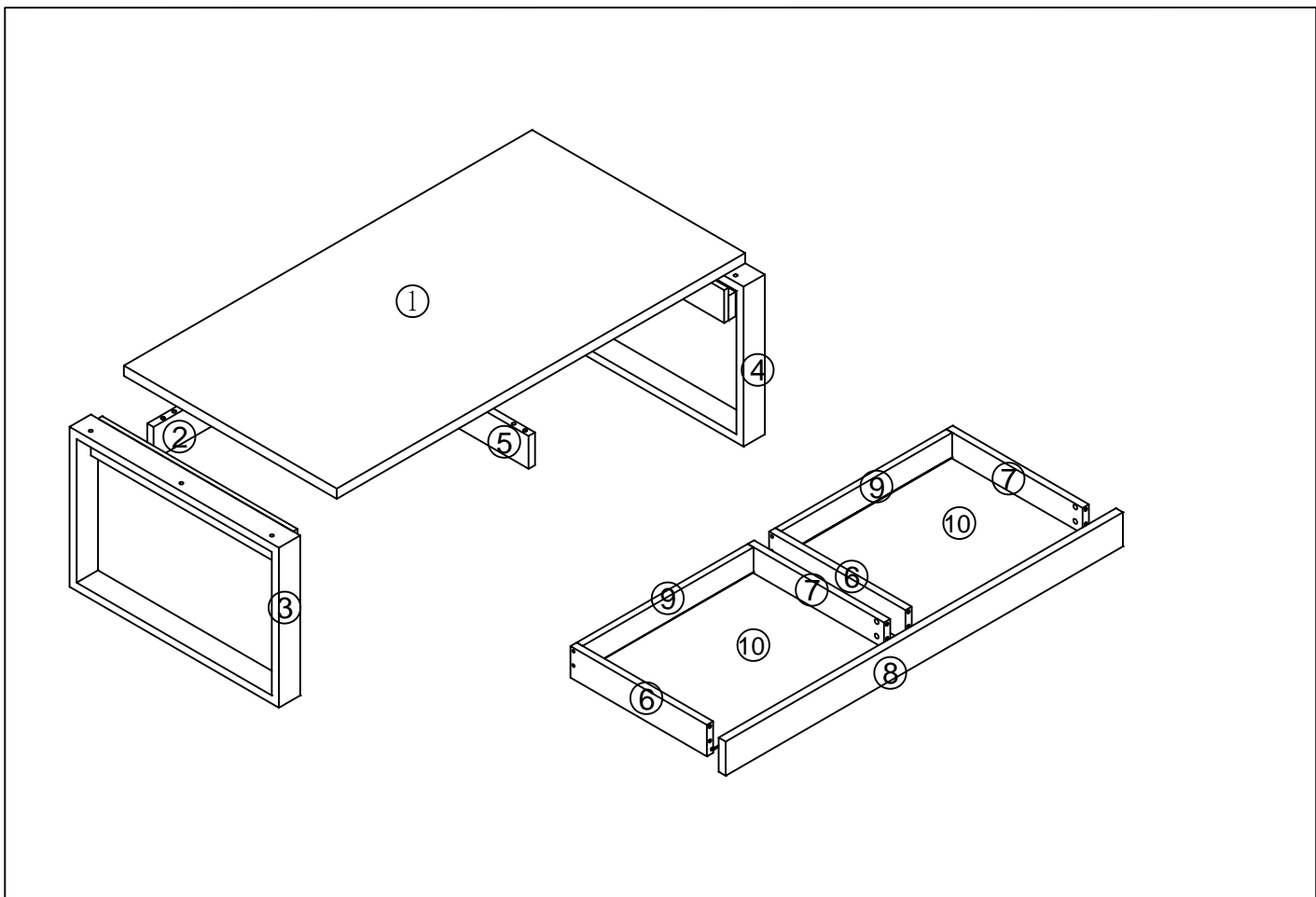


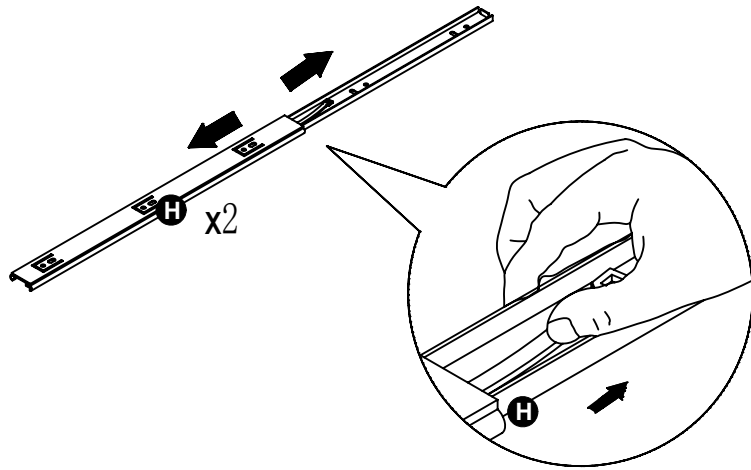
# 17390005/01





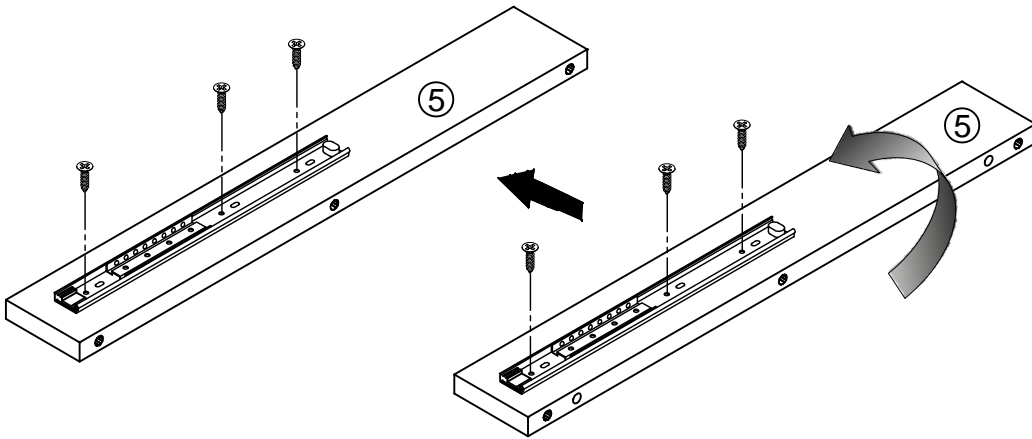
A	x6	B	x30	C	x8	D	x6	E	x6
Ø8x30mm		Ø3.5x12mm		Ø4.2x25mm		M6*90mm		M8*35mm	
F	x8	G	x8	H	x2	I	x6	J	x1
Ø10x10mm		Ø6x25mm		350x25x10mm		Ø8x18mm		M4	
K	x1	L	x8	M	x3				
M5									

1



H	x2
350x25x10mm	

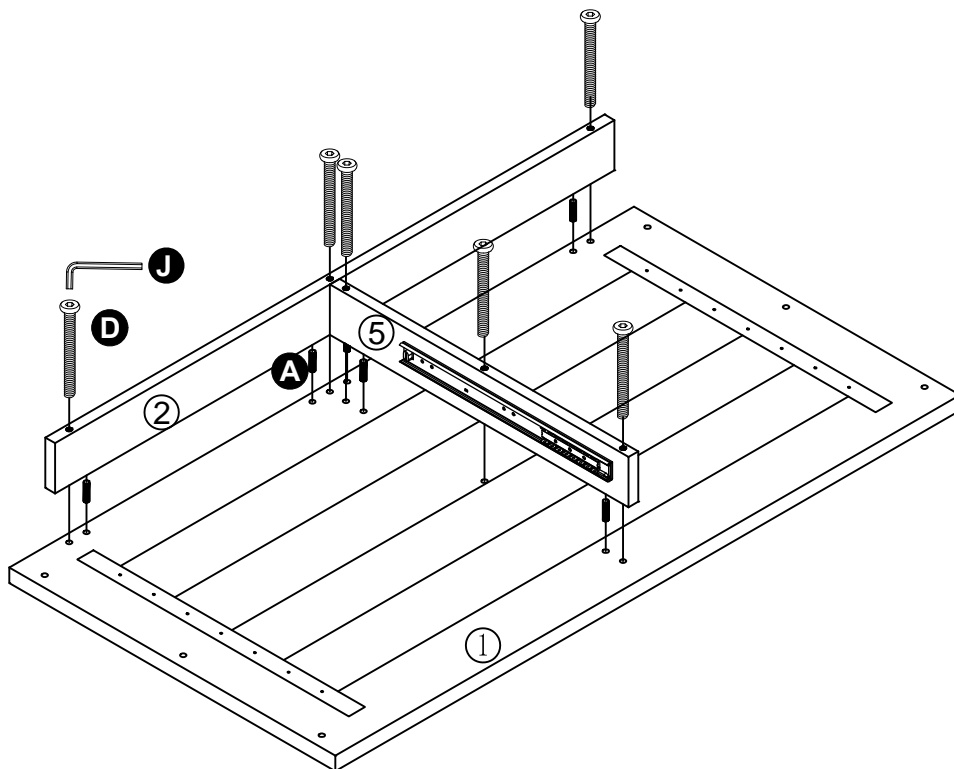
2



B	x6
Ø3.5x12mm	

H	x1
350x25x10mm	

3

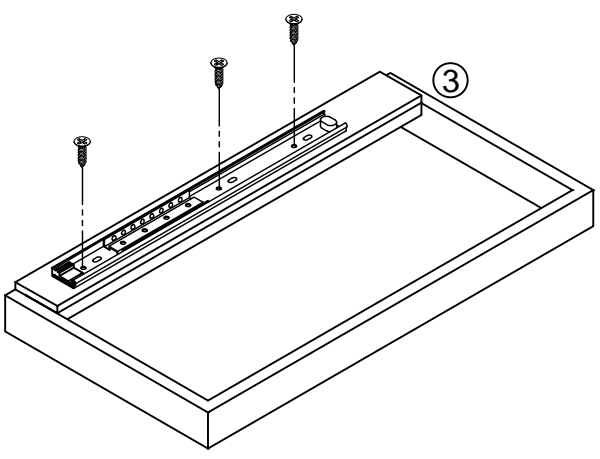
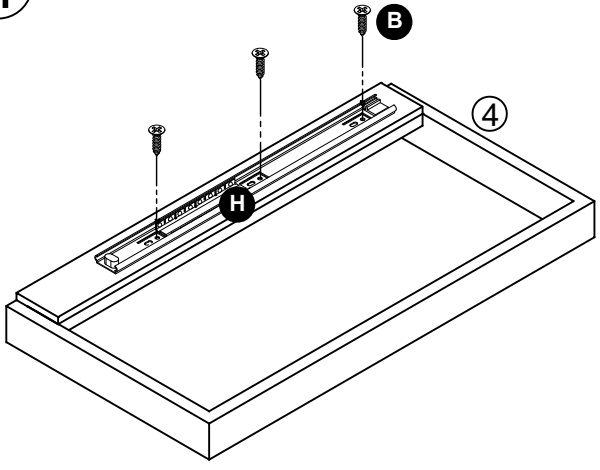



J	x1
M4	


A	x6
Ø8x30mm	

D	x6
M6*90mm	

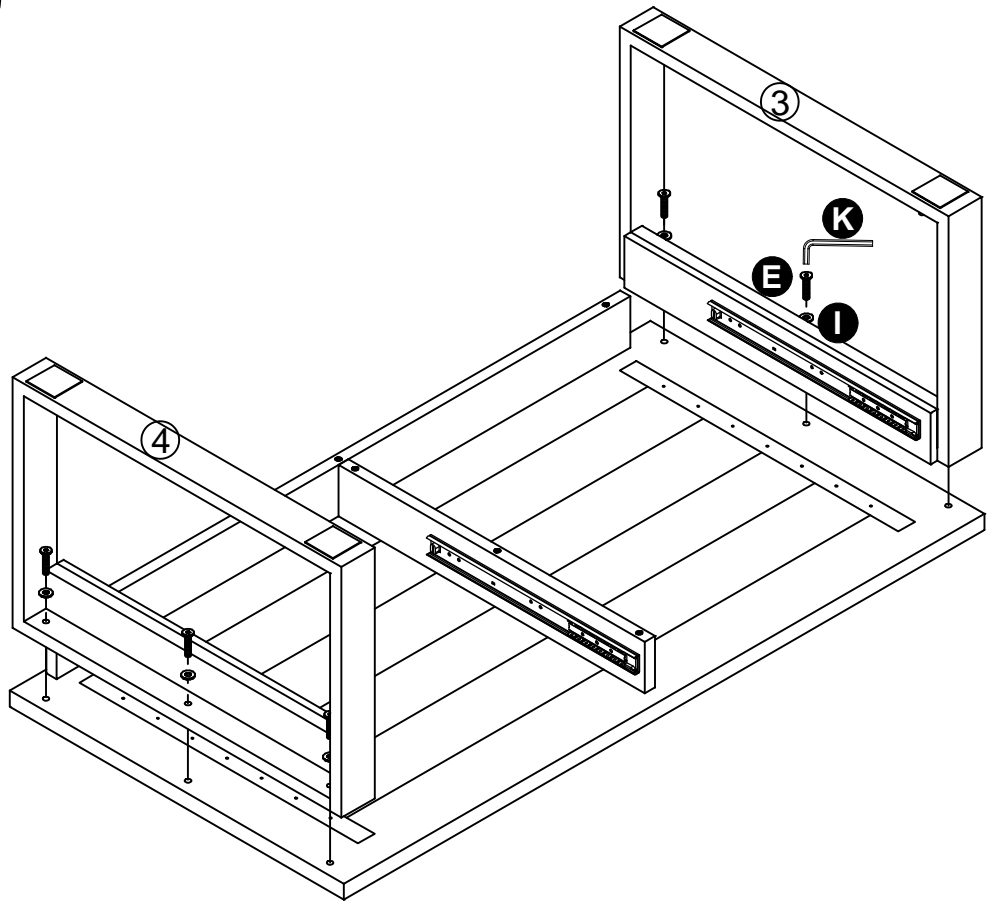
4

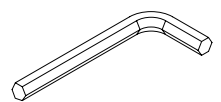



H	x1
	
350x25x10mm	


B	x6
	
Ø3.5x12mm	

5

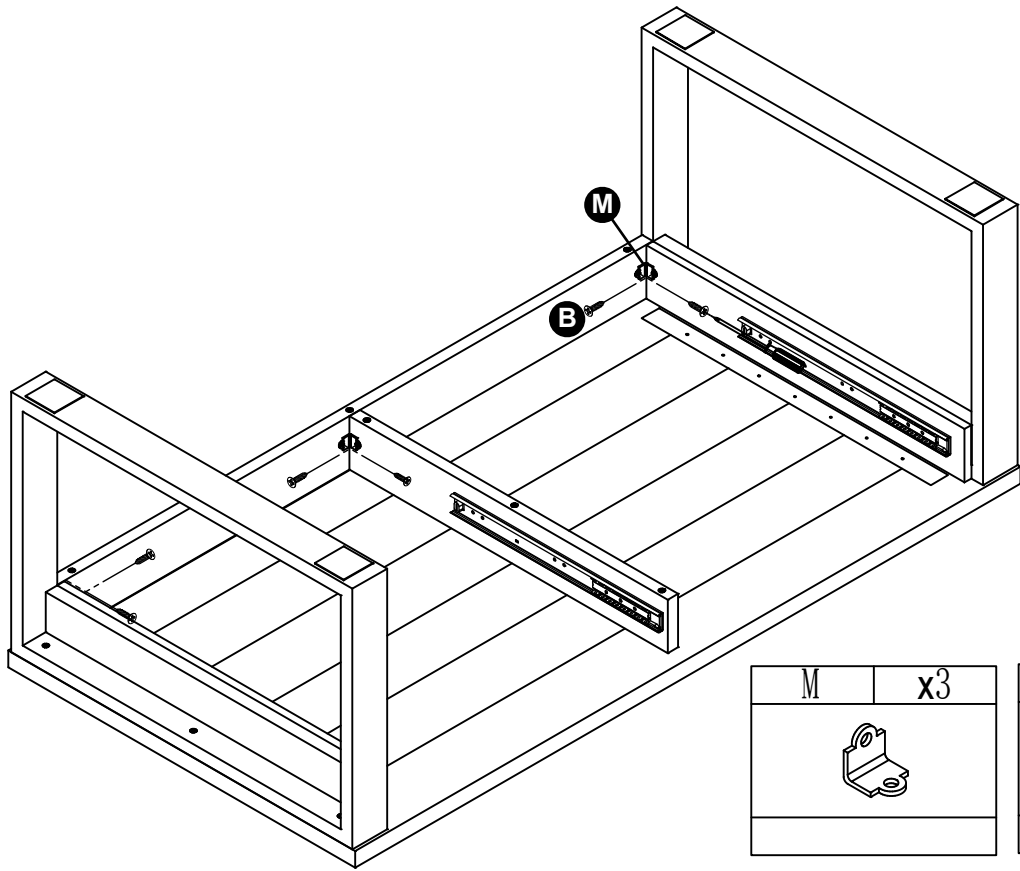



K	x1
	
M5	

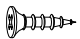
E	x8
	
M8*35mm	

I	x8
	
Ø8x18mm	

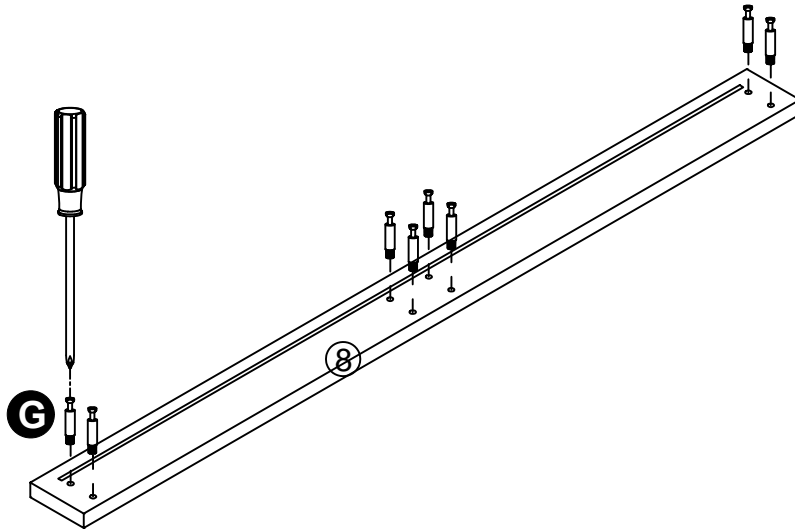
6




M	x3
	

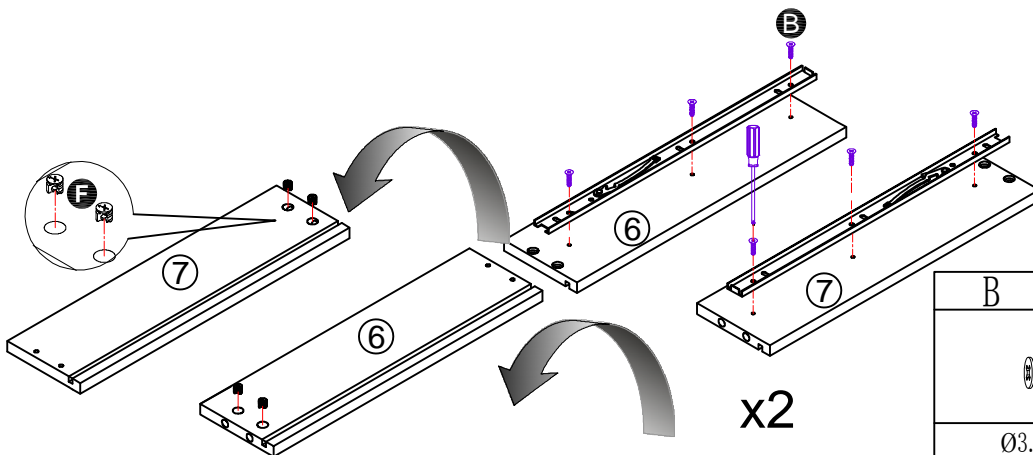
B	x6
	
Ø3.5x12mm	


7





G	x8
	
Ø6x25mm	

8

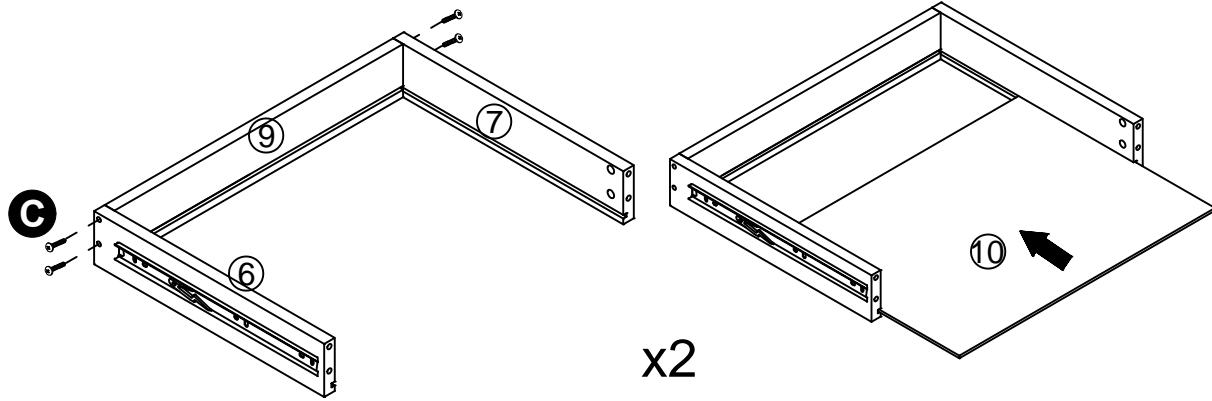


H	x2
	
350x25x10mm	

B	x12
	
Ø3.5x12mm	

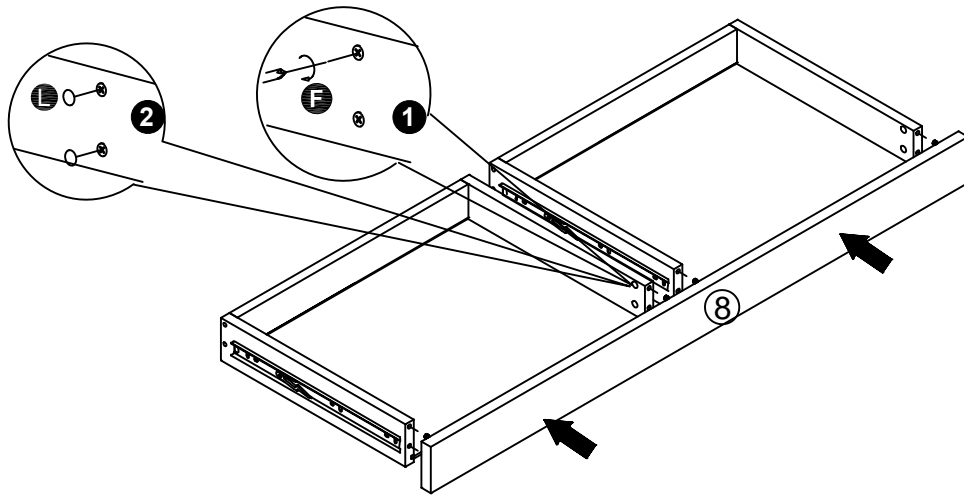
F	x8
	
Ø10x10mm	

9



C	x8
Ø4, 2x25mm	

10



L	x8

11

